

Servicemanual

vsezip.ru

GS1-ED 60/40 230V/50Hz

+7(812)987-08-81

Version: 2.01

Ident:

Series:

Pert-Number: 0600_A

This part can be ordered.



Chapter

105575 - climate control IS100 GS1-ED 60/40 230V/50Hz - V:

door complete GS1-ED 60/40 230V/50Hz - V:

frame GS1-ED 60/40 230V/50Hz - V:

102552 - tray runners Prover1-ED complete (2x5) GS1-ED 60/40 230V/50Hz - V:

water-energy-unit Prover 64 M - V:2.01

Servicemanual
clime control IS100 GS1-ED 60/40 230V/50Hz
vsezip.ru
+7(812)987-08-81

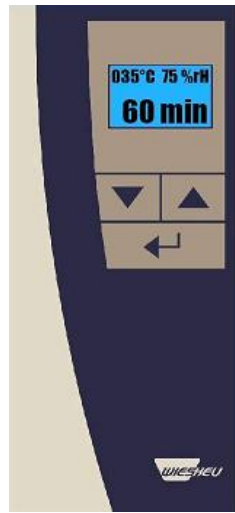
Version:

Ident:

Series:

Pert-Number: 105575

This part can be ordered.



Chapter

105575 - IS control 100

Зип Общепит



Part: IS control 100

vsezip.ru

Pert-Number: 105575

+7(812)987-08-81

To avoid moisture admittance from the operating side the display and the frame of the oven are water proofed and sealed. Please advise your customer that the control and the display of the oven should only be cleaned with a soft dry cloth.



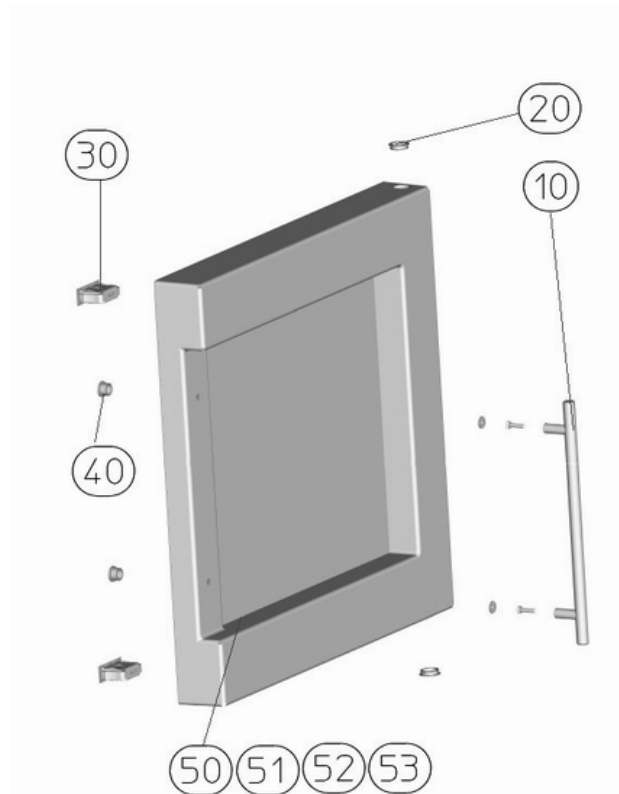
Servicemanual door complete GS1-ED 60/40 230V/50Hz +7(812)987-08-81

Version:

Ident:

Series:

Pert-Number:



Chapter

- [010] - 102809 - door handle GS10/GS1-ED
- [020] - 102812 - bush bearing
- [030] - 102807 - vice action latch (door)
- [040] - 34297 - plug (door)
- [050] - 105136 - Door, left GS1-ED
- [051] - 105134 - Door, left with cutout GS1-ED
- [052] - 105137 - Door right GS1-ED
- [053] - 105135 - Door right with cutout GS1-ED

Part: door handle GS10/GS1-ED

ysezip.ru

+7(812)987-08-81

Pert-Number: 102809

To prevent damage ensure that both door handles are securely fastened. The door handle is secured with screw M4X10 article number 42392 and washer article number 42209. Additionally the handle is secured with Locite 243 article number 61905.

**Part: bush bearing****Pert-Number: 102812**

To ensure the proofer door opens and closes properly check the door bearings.



Part: vice action latch (door) vsezip.ru

Pert-Number: 102807

+7(812)987-08-81

If the door lock needs to be re set. loosen the screws around the door latch. Thanks to the slotted holes the door can be easily adjusted. Only a correctly aligned door can guarantee the necessary door seal which results in optimal proofing.



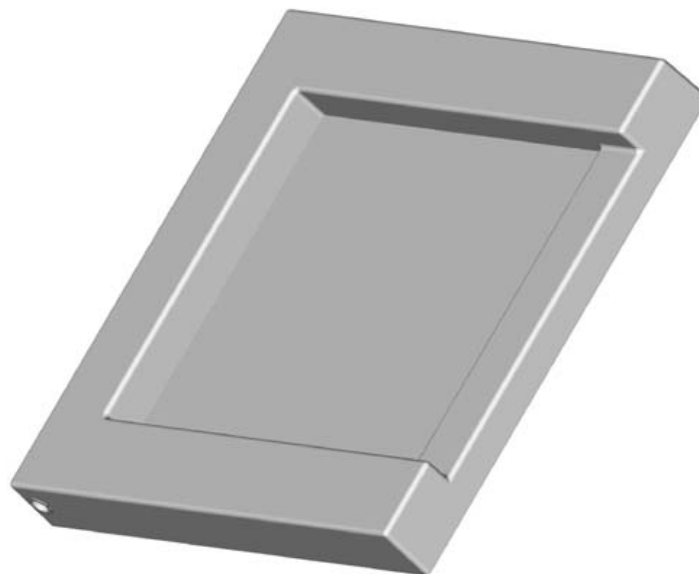
Part: plug (door)

Pert-Number: 34297



Part: Door, left GS1-ED

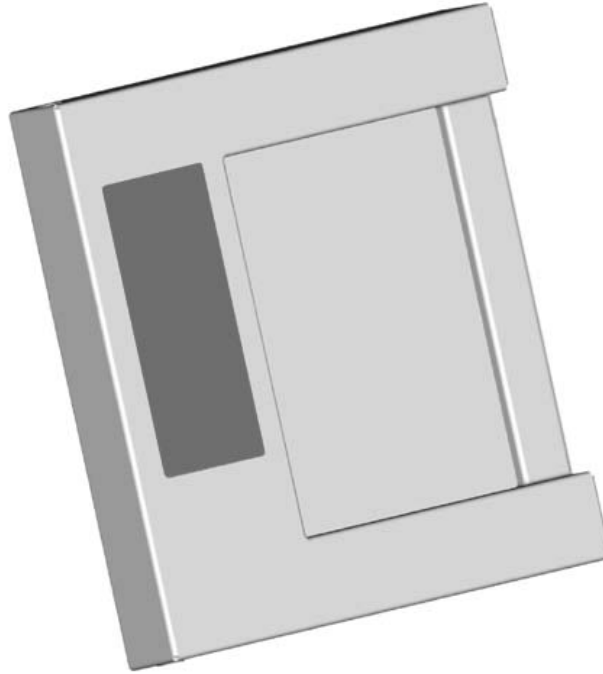
Pert-Number: 105136



Part: Door, left with cutout GS1-ED

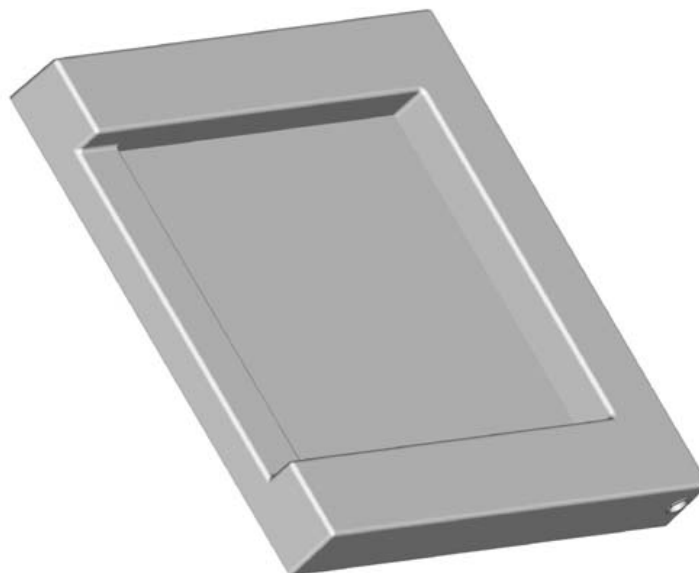
Pert-Number: 105134

+7(812)987-08-81



Part: Door right GS1-ED

Pert-Number: 105137



Зип Общепит

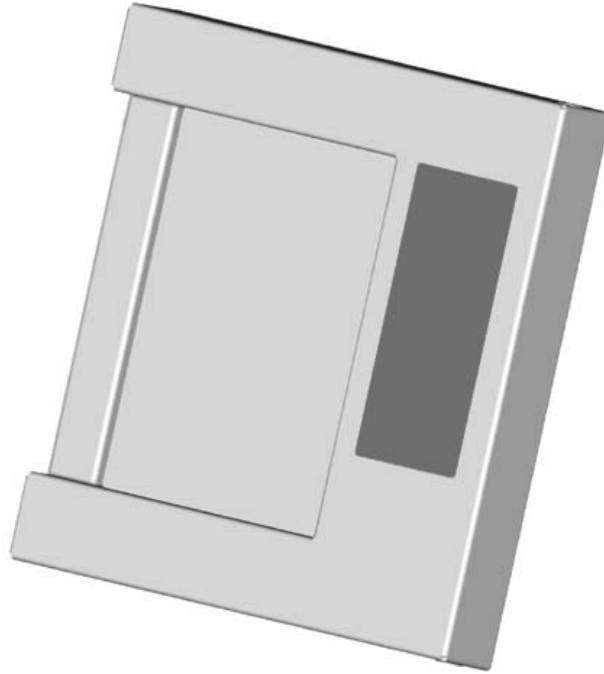


Part: Door right with cutout GS1-ED

zip.ru

Pert-Number: 105135

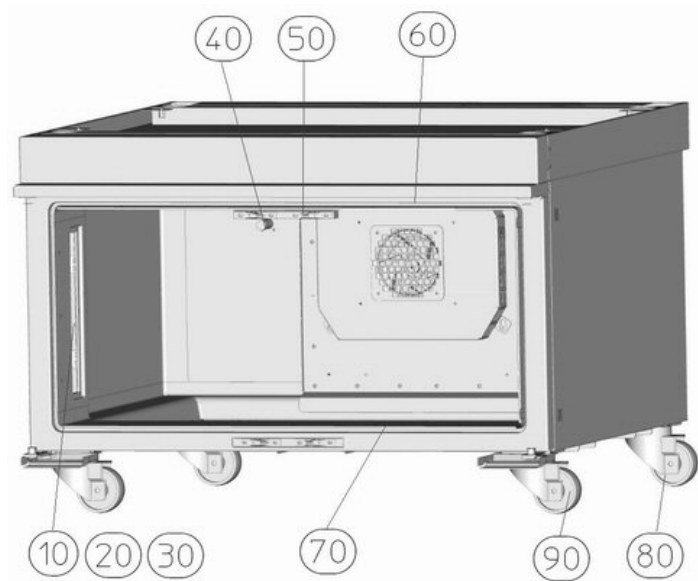
+7(812)987-08-81



Servicemanual
frame GS1-ED 60/40 230V/50Hz

vsezip.ru

+7(812)987-08-81

Version:**Ident:****Series:****Pert-Number:****Chapter**

- [010] - 102567 - halogen socket
- [020] - 101731 - halogen lamp 12V 10W
- [030] - 33042 - porcelain clamp 2-pole 10A
- [040] - 105669 - dual probe
- [050] - 102807 - vice action latch (door)
- [060] - 38605 - door seal
- [070] - 36149 - plug for water tray
- [080] - 9050-110-002 - castor
- [090] - 9050-110-001 - castor with brakes

Part: halogen socket

vsezip.ru

Pert-Number: 102567**+7(812)987-08-81**

Check the porcelain lamp holders and cables for damage. Please do not squeeze or kink the cable.

**Part: halogen lamp 12V 10W****Pert-Number: 101731**

When changing the halogen lamps please make sure that the lamps do not come in contact with hand sweat. Hand sweat will burn into the glass bulb and reduces the life of the halogen lamp. Please use the appropriate gloves.

**Part: porcelain clamp 2-pole 10A****Pert-Number: 33042**

Check the porcelain lamp holders and cables for damage. Please do not squeeze or kink the cable.



Part: dual probe

vsezip.ru

Pert-Number: 105669

+7(812)987-08-81

The combi sensor measures the moisture and proofer chamber temperature. When installing make sure the slits are always facing down so that moisture will not settle on the measuring points giving off wrong readings.



Part: vice action latch (door)

Pert-Number: 102807

If the door lock needs to be re set. loosen the screws around the door latch. Thanks to the slotted holes the door can be easily adjusted. Only a correctly aligned door can guarantee the necessary door seal which results in optimal proofing.



Part: door seal

Pert-Number: 38605

The door seal is glued with transparent heat resistant silicone (order number 60375) around the radii on the corners and long distances in between. Should the door seal be exchanged then all the silicone must be removed by using a knife. Clean the door tracks and any silicone particles. Make sure when placing the new seal that it is completely in the frame. The seal needs to be pressed around the connecting piece on the top and bottom and in front of the oven with a broach so that it can "breathe". The door seal is a spare part and can be ordered under the number 38605.



Part: plug for water tray

vsezip.ru

Pert-Number: 36149**+7(812)987-08-81**

The plug in the water tub seals the cleaning opening of the proofer. To maintain an optimal climate in the proofer it is necessary to make sure that the plug is always closed when operating the proofer.

**Part: castor****Pert-Number: 9050-110-002**

To allow a simple driving out for maintenance, the wheels should be positioned in the direction of motion so that the wheels do not get stuck.

**Part: castor with brakes****Pert-Number: 9050-110-001**

To allow a simple driving out for maintenance, the wheels should be positioned in the direction of motion so that the wheels do not get stuck.



Servicemanual
tray runners Prover1-ED complete (2x5) GS1-ED 60/40 230V/50Hz

+7(812)987-08-81

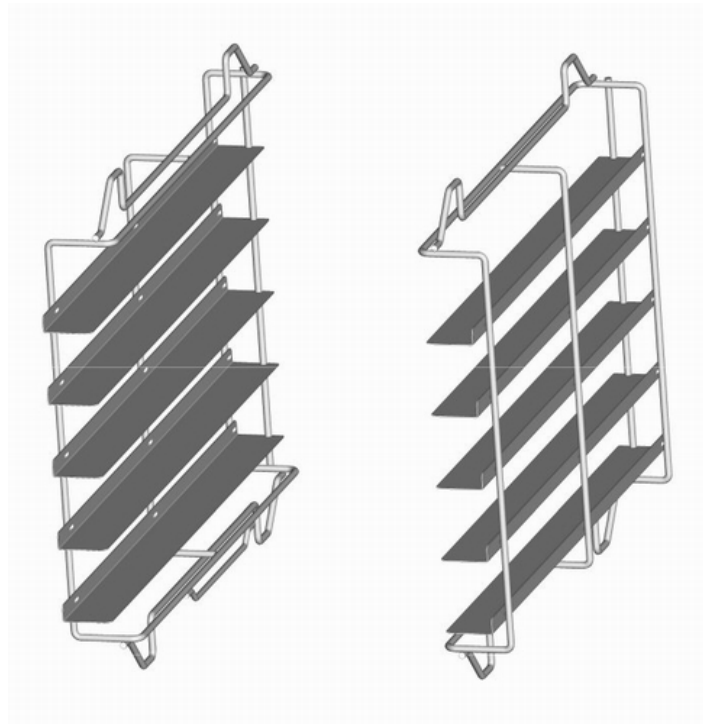
Version:

Ident:

Series:

Pert-Number: 102552

This part can be ordered.



Chapter

- [001] - 102552 - tray runners GS1-ED complete (2x5)
- [010] - 103026 - tray runners GS-ED, 5 trays left
- [020] - 103027 - tray runners GS-ED, 5 trays right

Part: tray runners GS1-ED complete (2x5)

Pert-Number: 102552

+7(812)987-08-81

Part: tray runners GS-ED, 5 trays left

Pert-Number: 103026

To remove the racks. lift the bottom of the rack upwards. over the plastic securing brackets and pull out sideways. To insert the racks. hook them into the top plastic fasteners first and then affix them to the bottom plastic fasteners.

Part: tray runners GS-ED, 5 trays right

Pert-Number: 103027

To remove the racks. lift the bottom of the rack upwards. over the plastic securing brackets and pull out sideways. To insert the racks. hook them into the top plastic fasteners first and then affix them to the bottom plastic fasteners.

Service manual water-energy-unit Prover 64 M

vsezip.ru

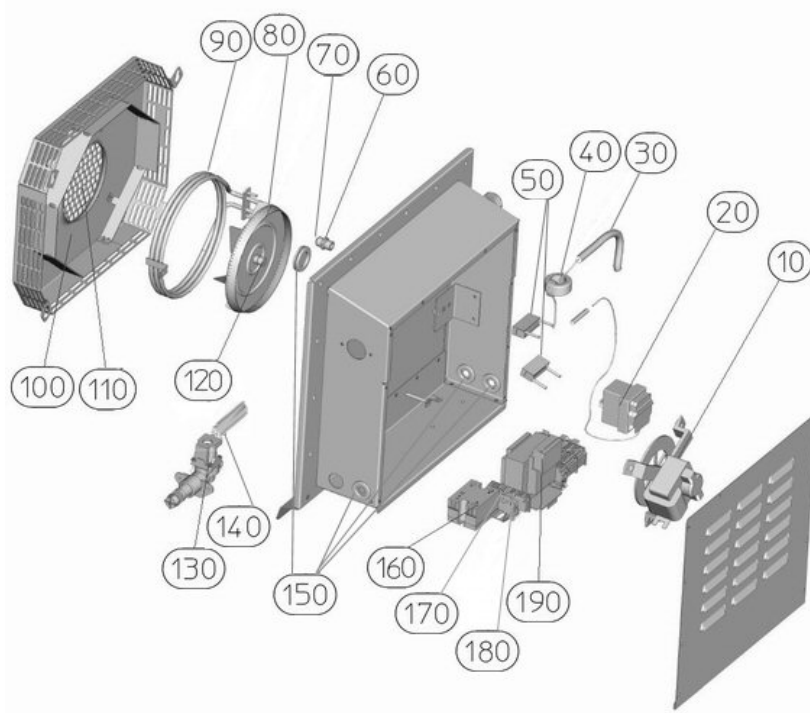
+7(812)987-08-81

Version: 2.01

Ident:

Series:

Pert-Number:



Chapter

- 104476 - hose 3/4"
- X0700-300-001 - water-energy-unit standard
- X0700-300-002 - water-energy-unit Prover-ED heated glass
- 33372 - suppressor element
- [010] - 36106 - motor
- [020] - 102696 - safety limit switch
- [030] - 37804 - cable connection 3,0m/3G 1,5/Schuko/230V
- [040] - 36583 - ferrite core R3615X
- [050] - 105726 - condenser
- [060] - 102530 - screwing
- [070] - 107992 - sealing ring Cu 13x18
- [080] - 105391 - vaporizer
- [090] - 103551 - heating 2000 W
- [100] - 105388 - ventilation cover
- [110] - 105786 - fan grill
- [120] - 103339 - adjusting collar with grub screw
- [130] - 103550 - solenoid valve
- [140] - 33524 - HT - hose silicone D 18xS3 LW12
- [150] - 38525 - nozzle to lead the diaphragm through
- [160] - 34912 - semi-conductor relay 1-pole
- [170] - 34752 - micro-fuse 1A
- [170] - 34753 - micro-fuse 0,5A 5x20
- [180] - 34108 - clamp grey 3L 2.5qmm
- [180] - 34109 - clamp 3L blue 280-684
- [180] - 34110 - clamp 3L 2.5qmm 280-687
- [190] - 100840 - transformer
- [190] - 9030-600-001 - transformer 12V/24V/40V (heated glass)

Part: hose 3/4"

vsezip.ru

Pert-Number: 104476

+7(812)987-08-81

Water supply hose 3/4". Inform your customer that the water supply should only be open when the oven is in use. In this manner you can avoid damage.

**Part: water-energy-unit standard**

Pert-Number: X0700-300-001

Part: water-energy-unit Prover-ED heated glass

Pert-Number: X0700-300-002

Part: suppressor element

Pert-Number: 33372

The suppressor element covers the solenoid valve. The prevents EMV disturbances to other compnents in the net.



Part: motor

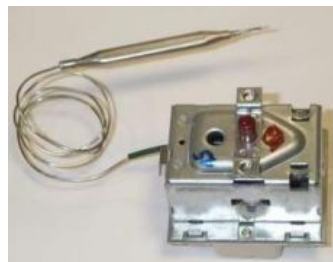
vsezip.ru

Pert-Number: 36106**+7(812)987-08-81**

For improved baking results the Hanning Motor has two rotating directions and several speeds. In ovens with the IS Control the speed is regulated by the Triac setter. In ovens with a manual control the contactor regulates the speed. The motor is secured with 4 M 6 nuts. The distance sleeves screws that are fixed by locknuts must always have the same height. Tighten the nuts diagonally to avoid tension. The motor has a built in thermo protection (bimetal) that activates at 160° C and automatically resets when cooled down. When the motor protection is activated the motor function is interrupted.

**Part: safety limit switch****Pert-Number: 102696**

After transportation of the appliance please note that the safety temperature limiter (STB) automatically releases with temperatures under +8°C. To allow the appliance to acclimatize let it stand for 30 minutes at room temperature before re-setting the STB. The STB can be re-set as often as needed. Please note that the STB does not activate without reason ! Insulate the capillary tube (e.g. on the circuit board) on its critical spots with silicone hose Article number 40074.

**Part: cable connection 3,0m/3G 1,5/Schukoz/230V****Pert-Number: 37804****Part: ferrite core R3615X****Pert-Number: 36583**

Part: condenser

vsezip.ru

Pert-Number: 105726

+7(812)987-08-81

Part: screwing

Pert-Number: 102530

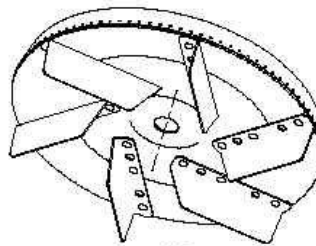


Part: sealing ring Cu 13x18

Pert-Number: 107992

Part: vaporizer

Pert-Number: 105391



Part: heating 2000 W

Pert-Number: 103551

We recommend when installing the heater the securing screws are non-threading. Please make sure the heater is correctly situated so that the securing attachments fit through the fan wheel to be connected.

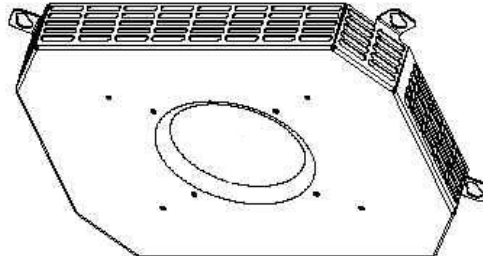


Part: ventilation cover

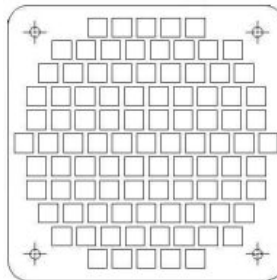
vsezip.ru

Pert-Number: 105388**+7(812)987-08-81**

Make sure at the end of working with the proofer that the fan cover and safety guard are correctly fastened otherwise there is a risk of injury.

**Part: fan grill****Pert-Number: 105786**

Make sure at the end of working with the proofer that the fan cover and safety guard are correctly fastened otherwise there is a risk of injury.

**Part: adjusting collar with grub screw****Pert-Number: 103339**

The middle of the adjusting ring for the rotation sprayer of the motor axel. Please read the installation instructions of the rotation sprayer.



Part: solenoid valve

vsezip.ru

Pert-Number: 103550**+7(812)987-08-81**

It is necessary to clean the dirt sieve of the solenoid valve regularly. Particles in the water line will stick to the sieve and interrupt the water flow. Please note the maximum water pressure and other warnings from the data sheets regarding the water connection. The solenoid valve is a valve for the steaming filler as well as for the automatic cleaning process Pro Clean. The solenoid valve works with a flow pressure of 150 - 600 kPa. You can test the solenoid valve function in the PC - Tool - Test. Attention the test is a continued test and this function is not protected from overload.

**Part: HT - hose silicone D 18xS3 LW12****Pert-Number: 33524****Part: nozzle to lead the diaphragm through****Pert-Number: 38525**

To reset the safety temperature limit switch the fan cover which is found in the interior of the proofer must be removed. The knob is protected from spray and steam under a membrane case. By firmly pressing the covered key the safety temperature limit can be re-set. Please note that the STB does not activate without reason!



Part: semi-conductor relay 1-pole www.zip.ru

Pert-Number: 34912

+7(812)987-08-81

The solid state relay controls the heater. Depending on the temperature this will automatically switch it on or off. (type can vary)



Part: micro-fuse 1A

Pert-Number: 34752



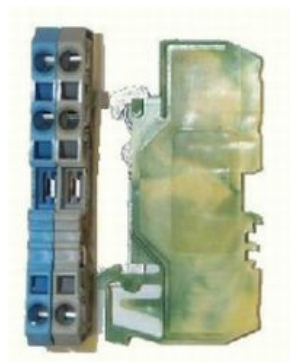
Part: micro-fuse 0,5A 5x20

Pert-Number: 34753



Part: clamp grey 3L 2.5qmm

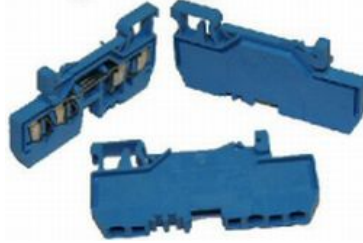
Pert-Number: 34108



Part: clamp 3L blue 280-684 vsezip.ru

Pert-Number: 34109

+7(812)987-08-81



Part: clamp 3L 2.5qmm 280-687

Pert-Number: 34110



Part: transformer

Pert-Number: 100840

The lighting transformer provides power to the baking chamber. The interior lighting is (2x12V/20W) Please note the wiring when removing/inserting. The wire should not come in contact with the circuit board. This may cause sporadic interference with the electronics.



Part: transformer 12V/24V/40V (heated glass)

Pert-Number: 9030-600-001



Зип Общепит



vsezip.ru

+7(812)987-08-81

Copyright:

WIESHEU GmbH retains the copyright for this service manual.
This service manual is solely intended for authorised service partners and their personnel.
It contains instructions and information which may not be copied, distributed or otherwise imparted as a whole or in part.

All representations, drawings, images, texts and details are protected by copyright.
They are subject to industrial property rights.

About this service manual:

All figures in this document have the purpose of aiding comprehension. The figures are not to scale. In some cases the figures are similar to the original product and may differ slightly.

Important!

Prevent malfunctions or damage caused by wrong spare parts.
We recommend the sole use of WIESHEU original spare parts.

Wiesheu GmbH
Daimlerstraße 10
DE-71563 Affalterbach
Phone: +49 (0)7144 / 3 03-0
Fax: +49 (0)7144 / 3 03-11
Email: info@wiesheu.de
www.wiesheu.de

Rev.: 10/11/2011