



Зип Общепит  
CATALOG OF  
vsezip.ru

+7(812)987-0818  
REPLACEMENT PARTS

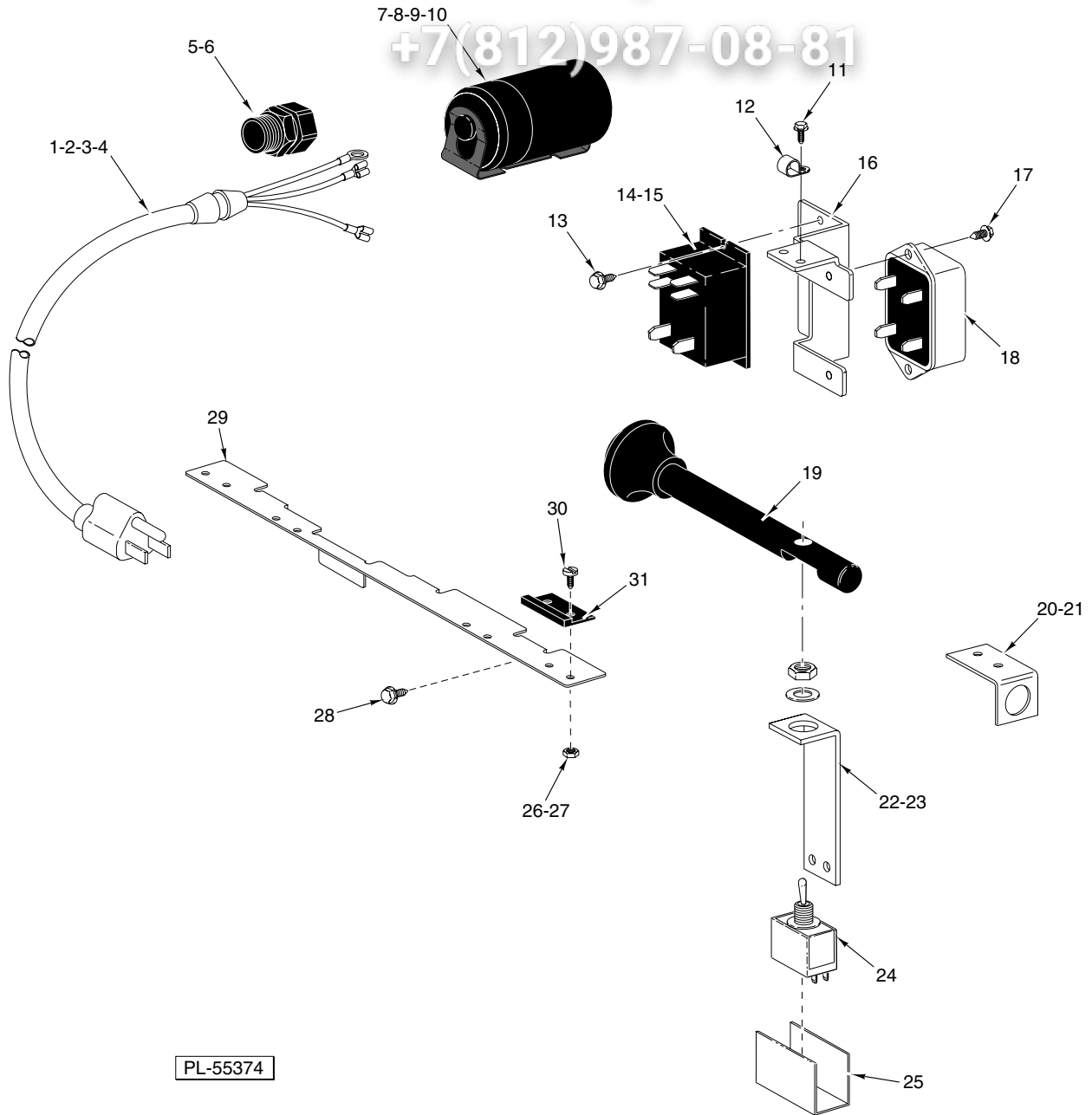


## SLICERS

(INCLUDES MOTOR PARTS)

2712  
2712C

ML-104955  
ML-104957



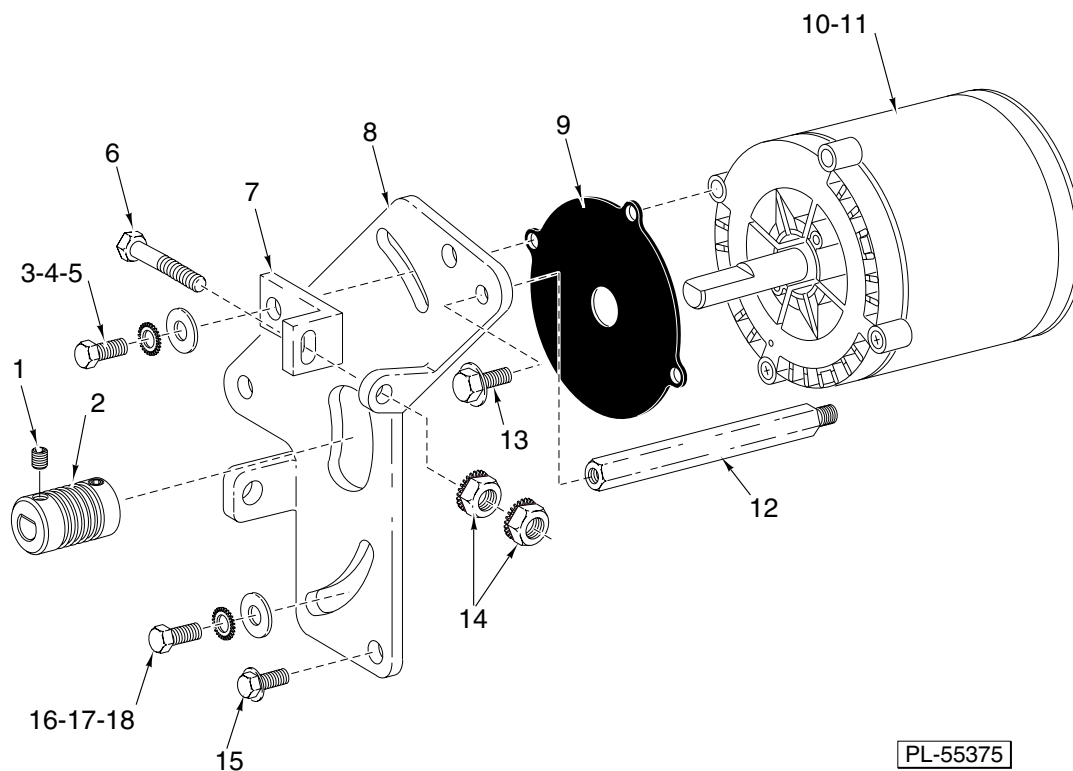
ELECTRICAL UNIT

vsezip.ru

+7(812)987-08-81

### ELECTRICAL UNIT

ILLUS.	PART NO.	NAME OF PART	AMT.
PL-55374			
1	00-117542-00084	Cord & Plug Assy. (100/120 V.)	1
2	00-117542-00085	Cord & Plug Assy. (240 V.)	1
3	00-117542-00039	Cord Assy (I.E.C.)	1
4	SD-015-41	Self-Tapping Screw 8-32 x 1/2 Phil. Pan Hd., Type TT	1
5	FE-021-21	Strain Relief (Use With Items 1, 2, & 3)	1
6	WL-010-01	Washer (Use With Items 1, 2, & 3)	1
7	00-070486-00001	End Cap – Capacitor	1
8	00-070487-00021	Capacitor (50/60 Hz.)	1
9	00-066621-00003	Bracket – Capacitor	1
10	SD-024-16	Self-Tapping Screw 10-24 x 1/2 Phil. Flat Hd., Type TT	2
11	SD-038-16	Self-Tapping Screw 6-32 x 3/8 Hex Washer Hd., Type RL	1
12	00-078752-00012	Clamp – Cable	1
13	SD-038-16	Self-Tapping Screw 6-32 x 3/8 Hex Washer Hd., Type RL	2
14	00-087714-042-1	Relay (2 Pole) (115 V.)	1
15	00-087714-042-3	Relay (2 Pole) (240 V.)	1
16	00-438929	Bracket – Motor Start Switch (Incls. Items 17 & 18)	1
17	SD-015-38	Self-Tapping Screw 6-32 x 3/8 Phil. Pan Hd., Type TT	2
18	00-271612-00002	Switch – Electronic Start (50/60 Hz.)	1
19	00-439043	Knob – ON/OFF	1
20	00-439041	Bracket – Switch Rod	1
21	SD-038-16	Self-Tapping Screw 6-32 x 3/8 Hex Washer Hd., Type RL	2
22	00-439040	Bracket – ON/OFF Switch	1
23	SD-038-16	Self-Tapping Screw 6-32 x 3/8 Hex Washer Hd., Type RL	2
24	00-087711-148-1	Switch (With Nuts)	1
25	00-873803	Switch – Mylar	1
26	WL-006-43	Lockwasher #4 Medium	2
27	NS-011-01	Mach. Nut 4/40 Hex	2
28	SD-038-16	Self-Tapping Screw 6-32 x 3/8 Hex Washer Hd., Type RL	3
29	00-477523	Bracket – Switch	1
30	SC-120-97	Mach. Screw 4-40 x 3/8 Flat Hd. (SST)	2
31	00-087711-00319	Switch – Home Start	1
	00-478384-00001	Harness – Wiring	1
	00-478389	Wire – Bundle	1
	00-065890-00085	Line – Splice	2
	00-065890-00029	Connector – Insulated	AR



PL-55375

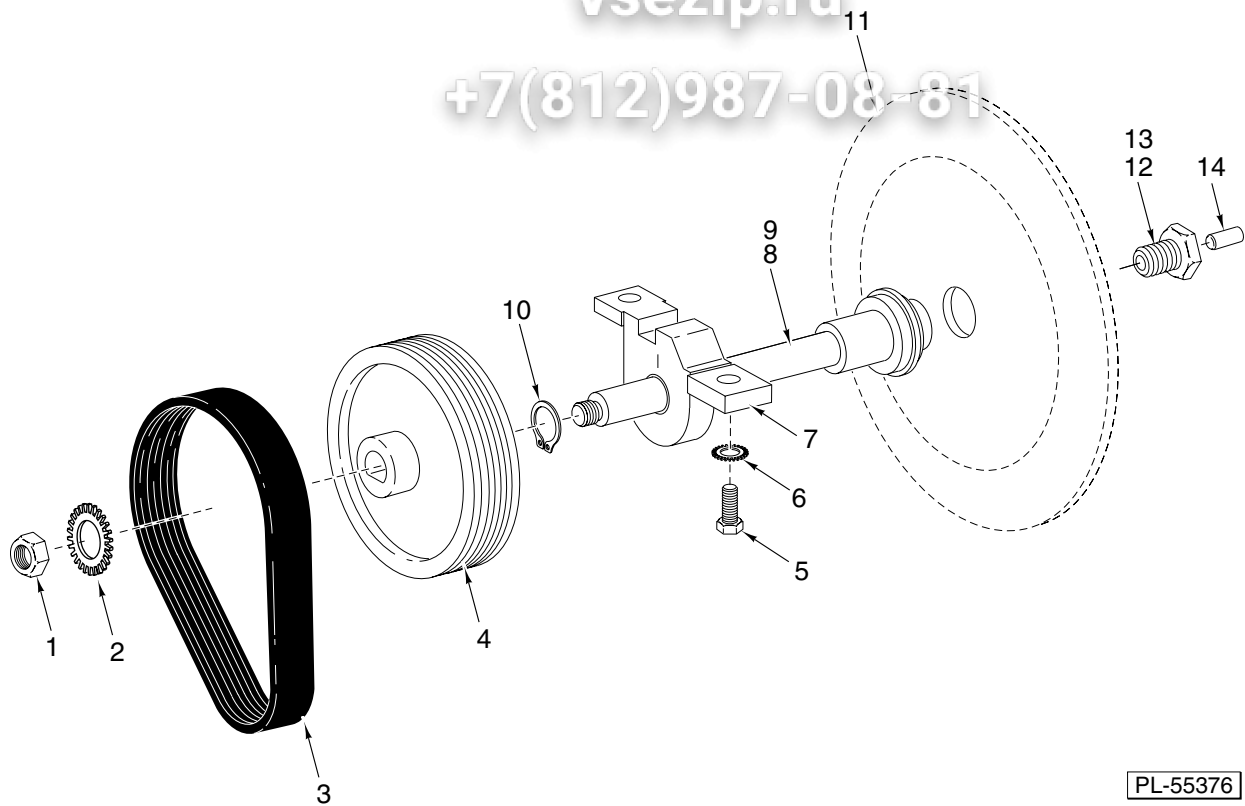
DRIVE MOTOR UNIT

vsezip.ru

+7(812)987-08-81

## DRIVE MOTOR UNIT

ILLUS.	PART NO.	NAME OF PART	AMT.
PL-55375			
1	SC-123-65	Set Screw Special 1/4-28 x 3/8 Hdls., Flat Pt. ....	2
2	00-438844-00002	Sheave – Poly “V” .....	1
3	SC-037-73	Cap Screw 3/8-16 x 1 Hex Hd. ....	2
4	WL-007-25	Lockwasher 3/8 External .....	2
5	WS-018-22	Washer .....	2
6	SC-118-98	Cap Screw 1/4-20 x 2 Hex Hd. ....	1
7	00-477532	Bracket – Tensioner Adjustment .....	1
8	00-477760	Plate – Motor .....	1
9	00-439032	Gasket – Motor .....	1
10	00-438846-00001	Motor (60 Hz.) .....	1
11	00-438846-00002	Motor (50 Hz.) .....	1
12	00-438984	Standoff .....	1
13	SC-041-01	Cap Screw 1/4-20 x 3/4 Hex Hd. (SST) .....	1
14	NS-044-14	Nut – 1/4-20 Hex “Keps” .....	2
15	SD-038-18	Self-Tapping Screw 5/16-18 x 3/4 Hex Washer Hd., Type RL .....	3
16	SC-037-73	Cap Screw 3/8-16 x 1 Hex Hd. ....	1
17	WL-007-25	Lockwasher 3/8 External .....	1
18	WS-018-22	Washer .....	1



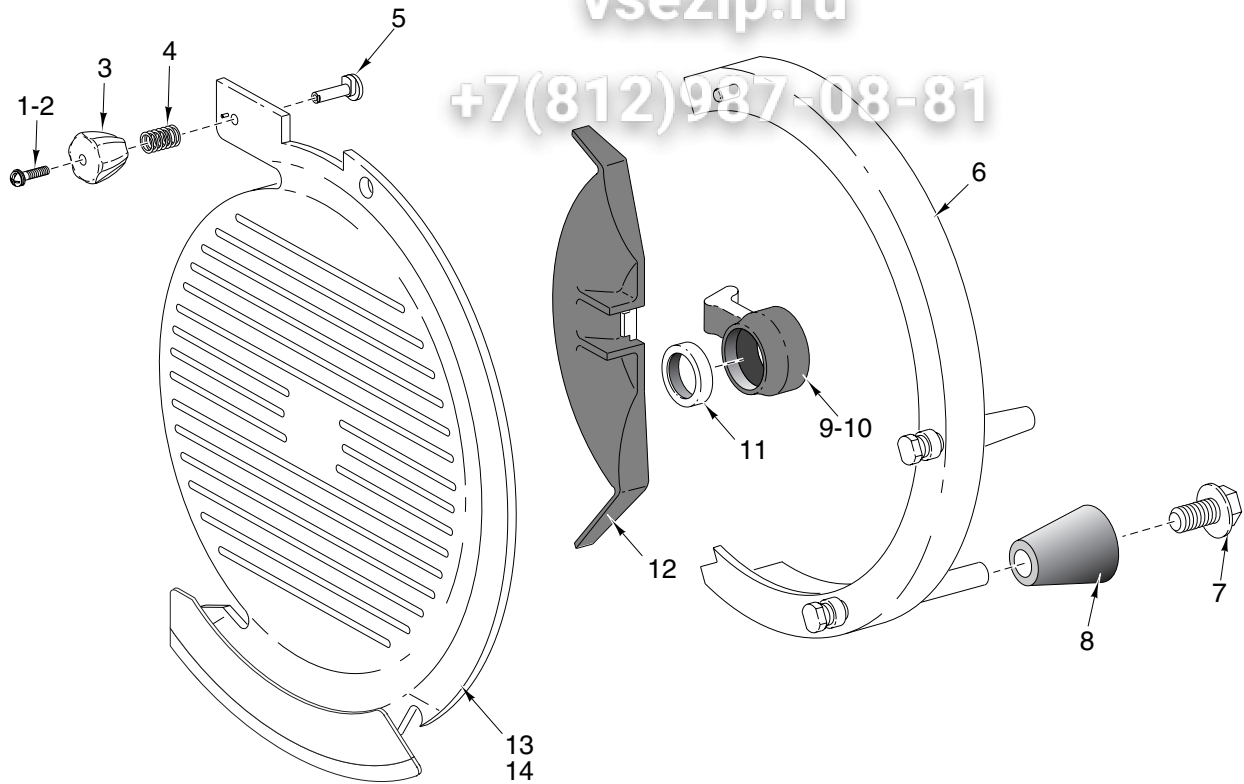
PL-55376

**KNIFE SHAFT UNIT**

ILLUS.	PART NO.	NAME OF PART	AMT.
	PL-55376		
1	NS-017-41	Nut – Jam 5/8-18 Hex .....	1
2	WL-004-17	Lockwasher 5/8 Light .....	1
3	00-438845	Belt – Poly “V” .....	1
4	00-439049	Sheave – Poly “V” Large 6 Groove .....	1
5	SC-037-73	Cap Screw 3/8-16 x 1 Hex Hd. ....	2
6	WL-007-25	Lockwasher 3/8 External .....	2
7	00-875180-00002	Retainer – Lower Hub & Bearing (Incls. Item 8) .....	1
8	BB-015-08	Ball Bearing .....	1
9	00-438915-00002	Shaft – Knife .....	1
10	RR-009-07	Retaining Ring .....	1
11	00-439870-00004	Knife (Packaged) .....	1
12	00-073356-00002	Screw – Knife (Incls. Items 13 & 14) .....	1
13	SC-064-04	Set Screw 1/4-28 x 3/8 Hds., Flat Pt. “Nylok” .....	1
14	00-073265	Plug – Plate Thrust .....	1

vsezip.ru

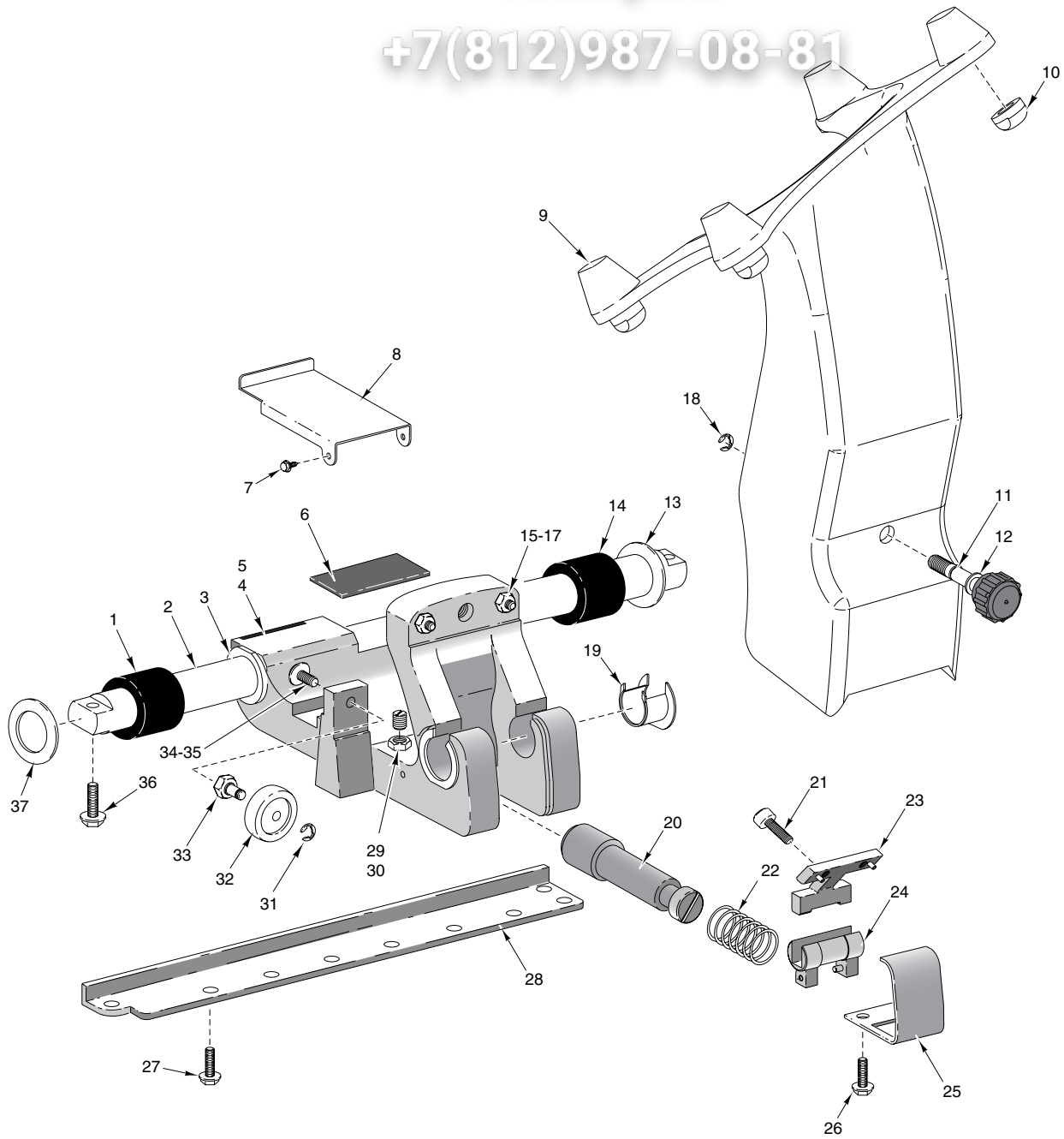
+7(812)987-08-81



PL-55377

**TOP COVER & LOCK KNOB UNIT**

ILLUS.	PART NO.	NAME OF PART	AMT.
PL-55377			
1	SC-122-53	Mach. Screw 4-40 x 5/8 Phil. Pan Hd. ....	1
2	WL-013-02	Lockwasher #4 Internal Shakeproof ....	1
3	00-875266	Knob – Locking, Top Cover .....	1
4	00-437994	Spring – Top Cover .....	1
5	00-875265	Stud – Locking, Top Cover .....	1
6	00-438920-00002	Guard – Knife Ring .....	1
7	SD-038-14	Self-Tapping Screw 1/4-20 x 7/8 Hex Washer Hd., Type RL .....	2
8	00-438975	Ferrule – Ring Guard .....	2
9	00-438974	Mount – Deflector .....	1
10	SD-038-19	Self-Tapping Screw 8-18 x 3/8 Hex Washer Hd. ....	3
11	00-439015	Knife Shaft Ring .....	1
12	00-478289	Product Deflector .....	1
13	00-479740	Cover – Top & Lock Knob Assy. ....	1
14	00-873830-00002	Cover – Top & Lock Knob Assy. (2712C Only) .....	1



PL-55378

TRANSPORT CARRIAGE UNIT

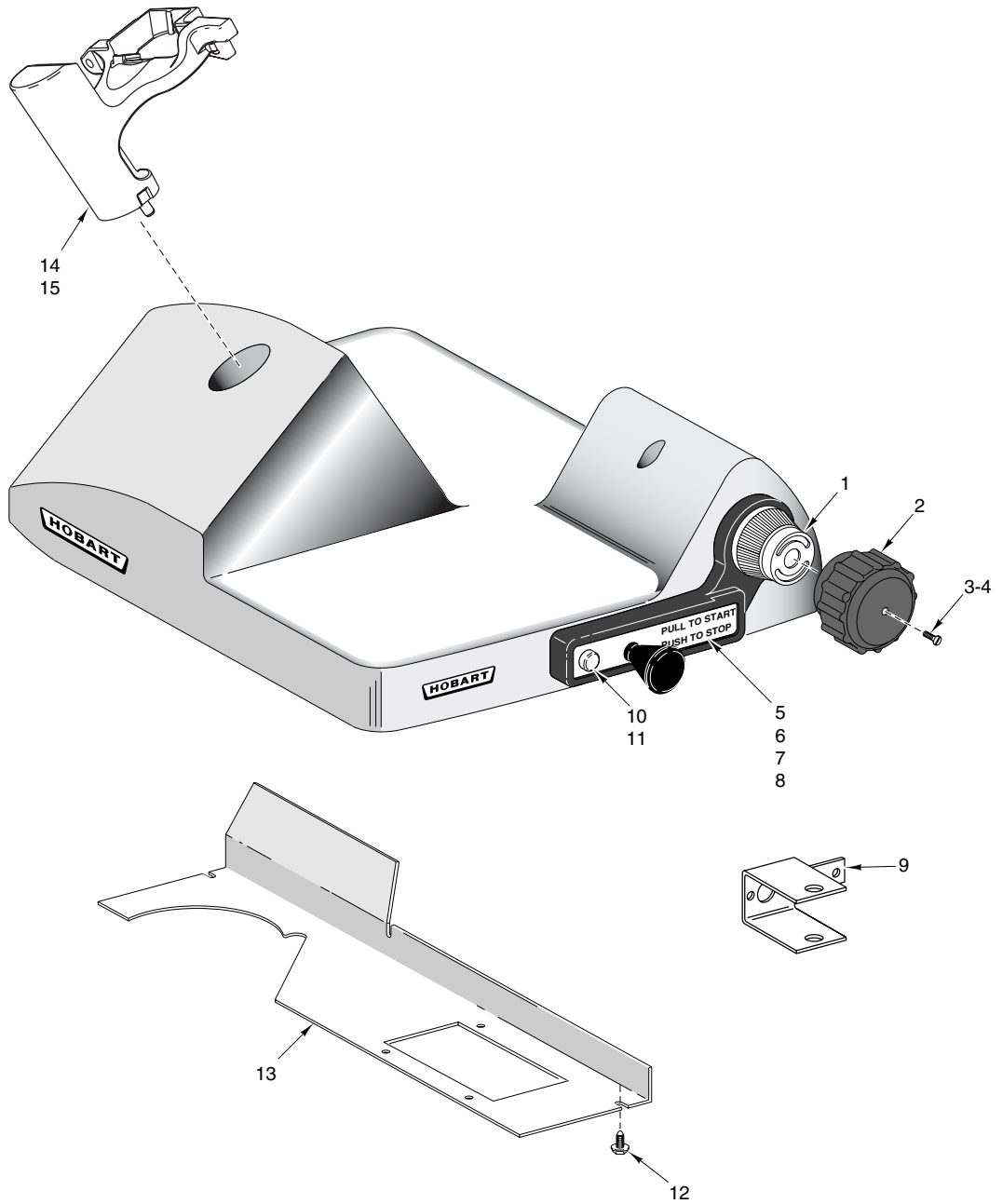


vsezip.ru

+7(812)987-08-81

### TRANSPORT CARRIAGE UNIT

ILLUS.	PART NO.	NAME OF PART	AMT.
PL-55378			
1	00-477555	Bumper – Slide Rod .....	1
2	00-438907	Slide – Rod .....	1
3	00-439007	Bearing – Transport .....	2
4	00-479690	Transport Carriage Assy. (Incls. Items 15, 16, & 17) .....	1
5	00-439064	Magnet – Transport .....	1
6	00-439017	Wick – Slide Rod Lubrication .....	1
7	SD-038-16	Self-Tapping Screw 6-32 x 3/8 Hex Washer Hd., Type RL .....	3
8	00-478424	Cover – Interlock .....	1
9	00-479676-00002	Arm – Meat Tray Support .....	1
10	00-875039	Nut – Carriage Tray .....	4
11	00-477534	Knob Assy. ....	1
12	00-478021	Washer – Belleville .....	4
13	00-435708	Washer – Backup (SST) .....	1
14	00-477555	Bumper – Slide Rod .....	1
15	SC-123-79	Set Screw 5/16-18 x 1 .....	2
16	NS-018-06	Jam Nut 5/16-18 Hex .....	2
17	00-535871	Insert – Screw .....	2
18	RR-006-21	Retaining Ring .....	1
19	00-439006	Bearing – Pivot .....	2
20	00-478298	Shaft – Pivot Return .....	1
21	SC-123-08	Cap Screw 1/4-20 x 5/8 Soc. Hd. ....	2
22	00-438902	Spring – Interlock Bar .....	1
23	00-873535-00002	Plate – Key .....	1
24	00-873534-00002	Pivot – Tilttable Carrier .....	1
25	00-438900	Cover – Transport .....	1
26	SD-038-16	Self-Tapping Screw 6-32 x 3/8 Hex Washer Hd., Type RL .....	2
27	SD-038-22	Self-Tapping Screw 10-24 x 1/2 Hex Washer Hd., Type RL .....	9
28	00-438908	Bar – Transport Roller .....	1
29	00-477747	Set Screw – Special .....	1
30	NS-017-20	Jam Nut 3/8-24 Hex .....	1
31	RR-006-23	Ring – Retaining .....	1
32	00-478420	Roller – Transport .....	1
33	00-438911	Screw – Adjusting .....	1
34	WS-003-49	Washer .....	1
35	SC-123-56	Mach. Screw – Special 1/4-28 x 1/2 Button Hd. ....	1
36	SD-033-08	Self-Tapping Screw 3/16-18 x 1 Hex Washer Hd., Type TT .....	2
37	00-435708	Washer – Backup (SST) .....	1
	00-873608-00002	Support – Tray Assy. ....	1



PL-55379

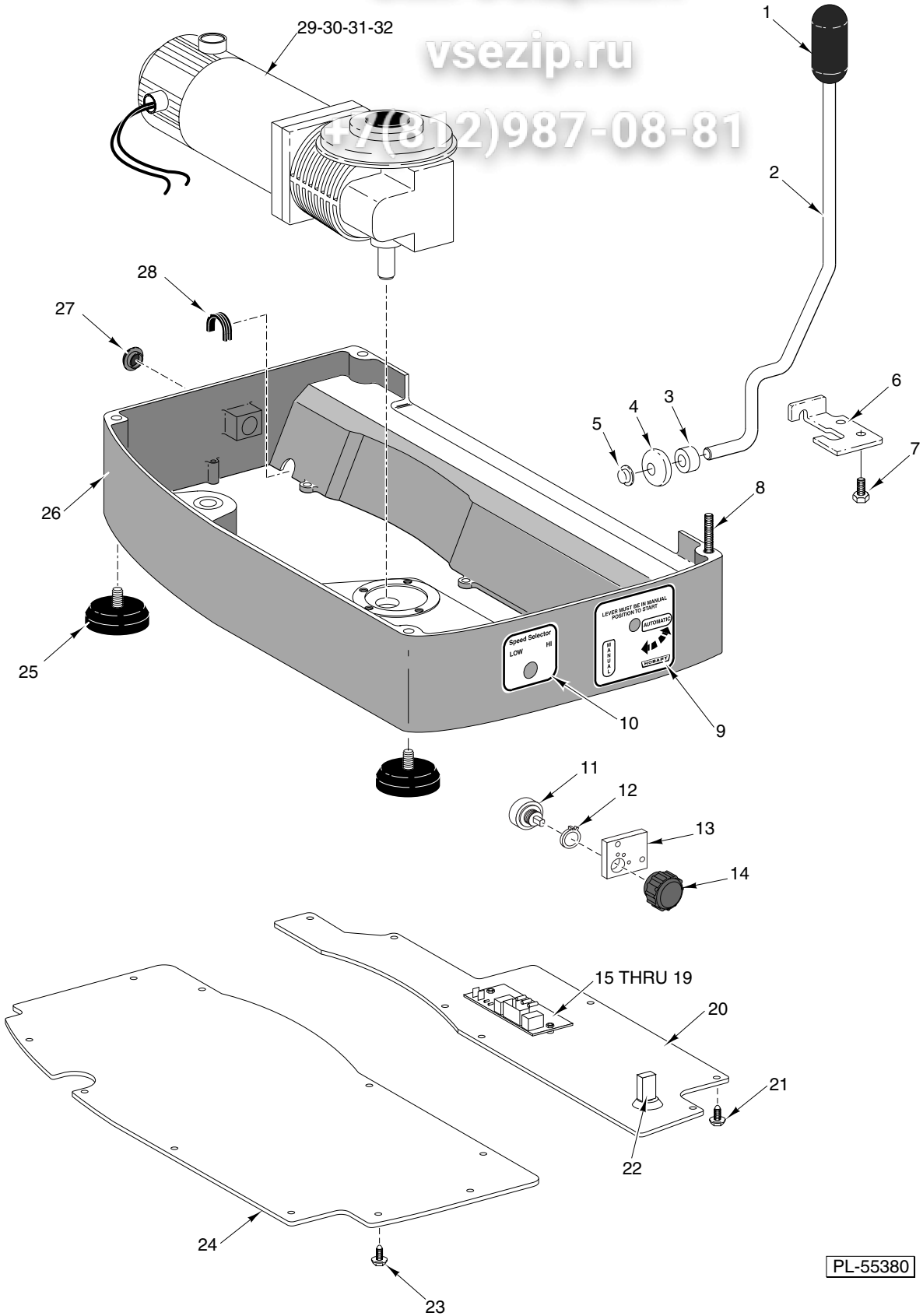
BASE UNIT

vsezip.ru

+7(812)987-08-81

**BASE UNIT**

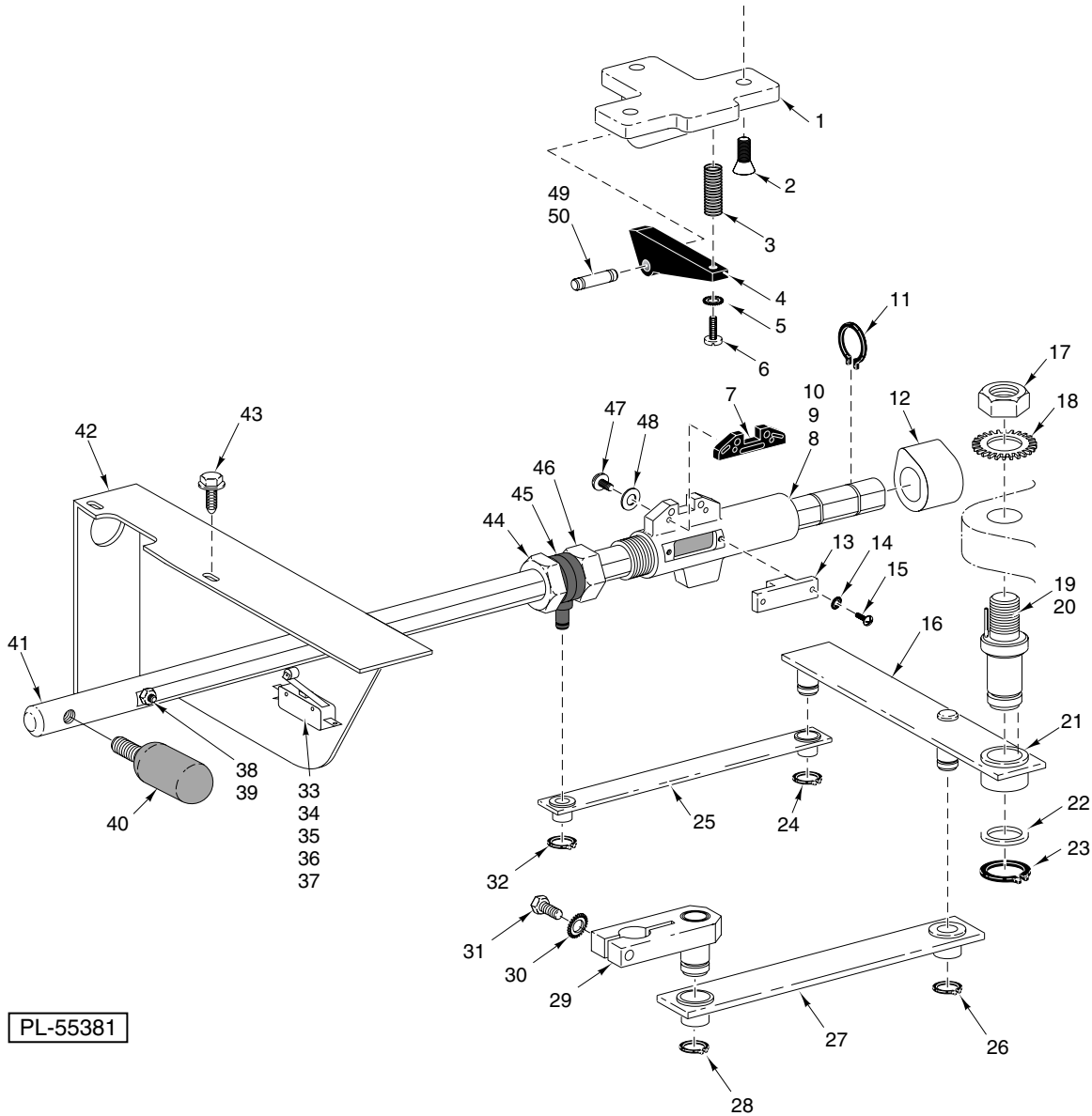
ILLUS.	PART NO.	NAME OF PART	AMT.
PL-55379			
1	00-438982	Dial Assy. ....	1
2	00-439085	Knob – Indexing .....	1
3	SC-023-10	Mach. Screw 10-24 x 3/4 Oval Hd. ....	1
4	SC-121-95	Mach. Screw, SF, 10-24 x 5/8 (2712C Only) .....	1
5	00-477735	Label – Start/Stop .....	1
6	00-439091	Bezel – Index .....	1
7	SD-038-21	Self-Tapping Screw 8-32 x 1 1/4 Phil. Pan Hd., Type TT .....	2
8	SD-038-20	Self-Tapping Screw 8-32 x 1 Phil. Pan Hd., Type TT .....	2
9	00-479655	Lock Bracket (2712C Only) .....	1
10	00-439042-00001	Lamp (125 V.) .....	1
11	00-439042-00002	Lamp (250 V.) .....	1
12	SD-038-16	Self-Tapping Screw 6-32 x 3/8 Hex Washer Hd., Type RL .....	8
13	00-478036	Cover – Upper Electrical .....	1
14	00-479636-00004	Mount – Sharpener Housing .....	1
15	SD-038-13	Self-Tapping Screw 5/16-18 x 7/8 Hex Washer Hd., Type RL .....	2



AUTOMATIC BASE UNIT

## AUTOMATIC BASE UNIT

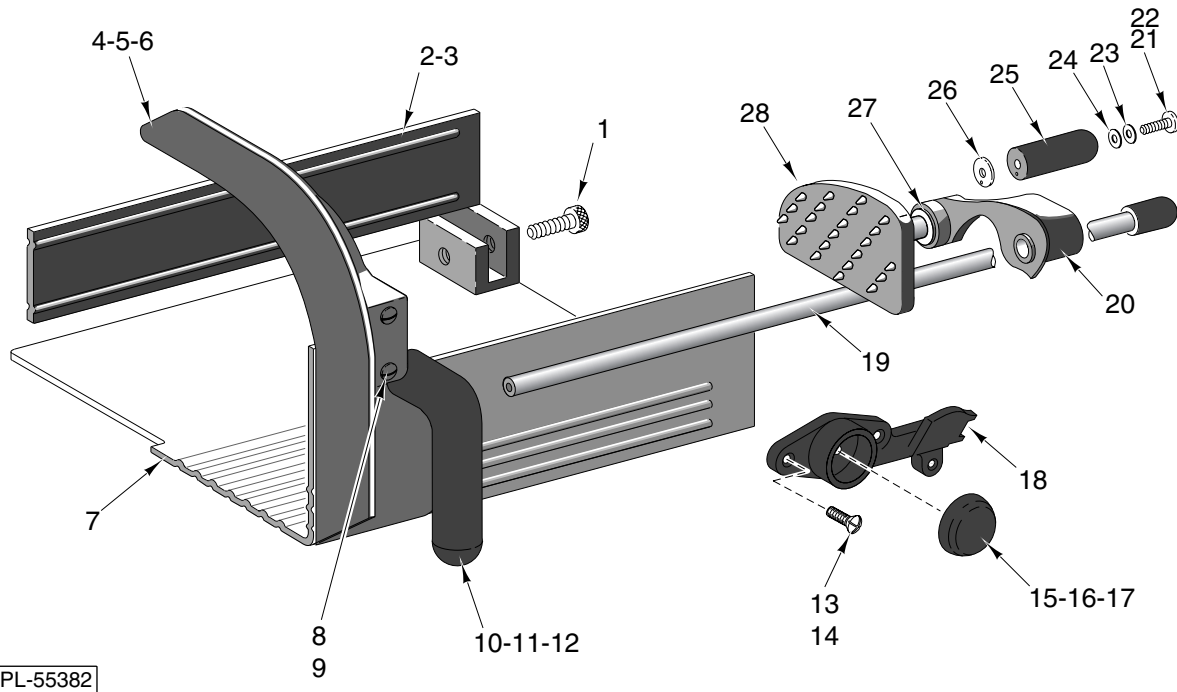
ILLUS.	PART NO.	NAME OF PART	AMT.
PL-55380			
1	00-478300	Handle – Lift Lever .....	1
2	00-873688	Lift – Lever .....	1
3	00-478299	Spacer – Lift Lever .....	1
4	00-108001	Foot – Lifting Lever .....	1
5	00-106502	Push Nut .....	1
6	00-873689	Retainer – Lifting Lever .....	1
7	SD-009-16	Self-Tapping Screw 1/4-20 x 3/4 Hex Hd., Type F .....	2
8	SC-125-16	Cap Screw 5/16-18 x 5 1/4 Hex Hd. ....	4
9	00-478274	Label – Auto/Manual (Domestic) .....	1
10	00-478296	Label – Speed Select (Domestic) .....	1
11	00-478383	Switch Assy. – Carriage Speed .....	1
12	00-873236	Stop – Two-Speed Slicer .....	1
13	00-873234	Bracket – Speed Control .....	1
14	00-479677	Knob & Fastener Assy. ....	1
15	00-479708	Board – Printed Circuit .....	1
16	00-478392	Spacer – Nylon .....	2
17	WS-023-22	Washer .....	2
18	WL-007-01	Lockwasher #6 External Shakeproof .....	2
19	NS-009-07	Mach. Nut 6-32 Hex .....	2
20	00-873485-00001	Cover – Electrical (115 V.) .....	1
21	SD-038-16	Self-Tapping Screw 6-32 x 3/8 Hex Washer Hd., Type RL .....	8
22	00-088196-00028	Breaker – 2 Amp. Thermal Overload .....	1
23	SD-038-16	Self-Tapping Screw 6-32 x 3/8 Hex Washer Hd., Type RL .....	10
24	00-478034-00001	Cover – Bottom .....	1
25	00-477722	Foot .....	4
26	00-873698-00002	Base – Automatic .....	1
27	00-477753	Plug – Hole (Large) .....	1
28	00-479681	Grommet – Electric .....	1
29	00-873519	Motor – Flange Mount 1/8 Hp. (90 VDC) .....	1
30	00-479166	Motor – Flange Mount 1/8 Hp. (180 VDC) (240 V.) .....	1
31	SC-040-53	Mach. Screw 10-24 x 3/4 Hex Hd. ....	4
32	WL-008-13	Lockwasher #10 Internal Shakeproof .....	4
	00-873700	Lever – Lifting Assy. (Incls. Items 1 thru 5) .....	1
	00-478280-00001	Harness – Wiring .....	1
	00-478275	Kit – Leg Set 4" .....	1



**AUTOMATIC CARRIER UNIT**

## AUTOMATIC CARRIER UNIT 08-81

ILLUS. PL-55381	PART NO.	NAME OF PART	AMT.
1	00-478252-00002	Bracket – Pawl .....	1
2	SD-024-29	Self-Tapping Screw 10-32, Type TT .....	3
3	00-478429	Spring – Pawl .....	1
4	00-873591	Pawl – Auto-Engage .....	1
5	WL-007-02	Lockwasher #6 External .....	1
6	SC-009-49	Mach. Screw 6-32 x 3/8 Rd. Hd. ....	1
7	00-477763-00002	Ramp – Auto-Engage .....	1
8	00-477755-00002	Carrier – Automatic .....	1
9	00-478269	Bearing (Auto) – Carrier .....	2
10	00-478277	Wick – Carrier .....	1
11	RR-007-21	Retaining Ring .....	2
12	00-478406	Lock Auto/Manual .....	1
13	00-477775	Key – Auto-Engage .....	1
14	WL-007-02	Lockwasher #6 External .....	2
15	SC-009-49	Mach. Screw 6-32 x 3/8 Rd. Hd. ....	2
16	00-478003	Assy. – Main Link (Incls. Item 21) .....	1
17	NS-017-41	Nut – Jam 5/8-18 Hex .....	1
18	WL-019-12	Lockwasher 5/8 External .....	1
19	00-477781	Pivot – Main Link .....	1
20	RP-005-04	Roll Pin 1/8 Dia. x 3/4 Lg. ....	1
21	00-478027	Bearing – Main Link .....	1
22	00-478040	Washer – Main Link .....	2
23	RR-009-05	Retaining Ring .....	1
24	RR-009-03	Retaining Ring .....	1
25	00-478006	Link Assy. – Carrier .....	1
26	RR-007-21	Retaining Ring .....	1
27	00-478005	Link Assy. – Motor Drive .....	1
28	RR-007-21	Retaining Ring .....	1
29	00-873438	Assy. – Motor Crank Link .....	1
30	WL-007-16	Lockwasher 1/4 External Shakeproof .....	1
31	SC-118-17	Cap Screw 1/4-20 x 1 1/4 Hex Hd. ....	1
32	RR-009-03	Retaining Ring .....	1
33	00-087711-00270	Switch – Auto/Manual .....	1
34	00-478284	Barrier – Mylar .....	1
35	NS-009-02	Mach. Nut 4-40 Hex .....	2
36	WL-006-43	Lockwasher #4 Medium .....	2
37	SC-060-40	Mach. Screw 4-40 x 5/8 Rd. Hd. ....	2
38	00-478408	Pin – Carrier Shaft .....	1
39	NS-017-03	Jam Nut 1/4-20 Hex .....	1
40	00-478010	Knob & Lever Assy. ....	1
41	00-477764	Shaft – Auto-Carrier .....	1
42	00-479951	Bracket – Switch .....	1
43	SD-038-16	Self-Tapping Screw 6-32 x 3/8 Hex Washer Hd., Type RL .....	2
44	00-478024	Lock – Swivel .....	1
45	00-477761-00002	Swivel – Auto-Carrier .....	1
46	00-478025	Nut – Swivel Lock .....	1
47	SC-007-68	Mach. Screw 8-32 x 5/8 Rd. Hd. ....	2
48	WL-007-07	Lockwasher #8 .....	2
49	00-477767	Shaft – Pawl .....	1
50	RR-010-06	Retaining Ring .....	2



CARRIAGE TRAY UNIT

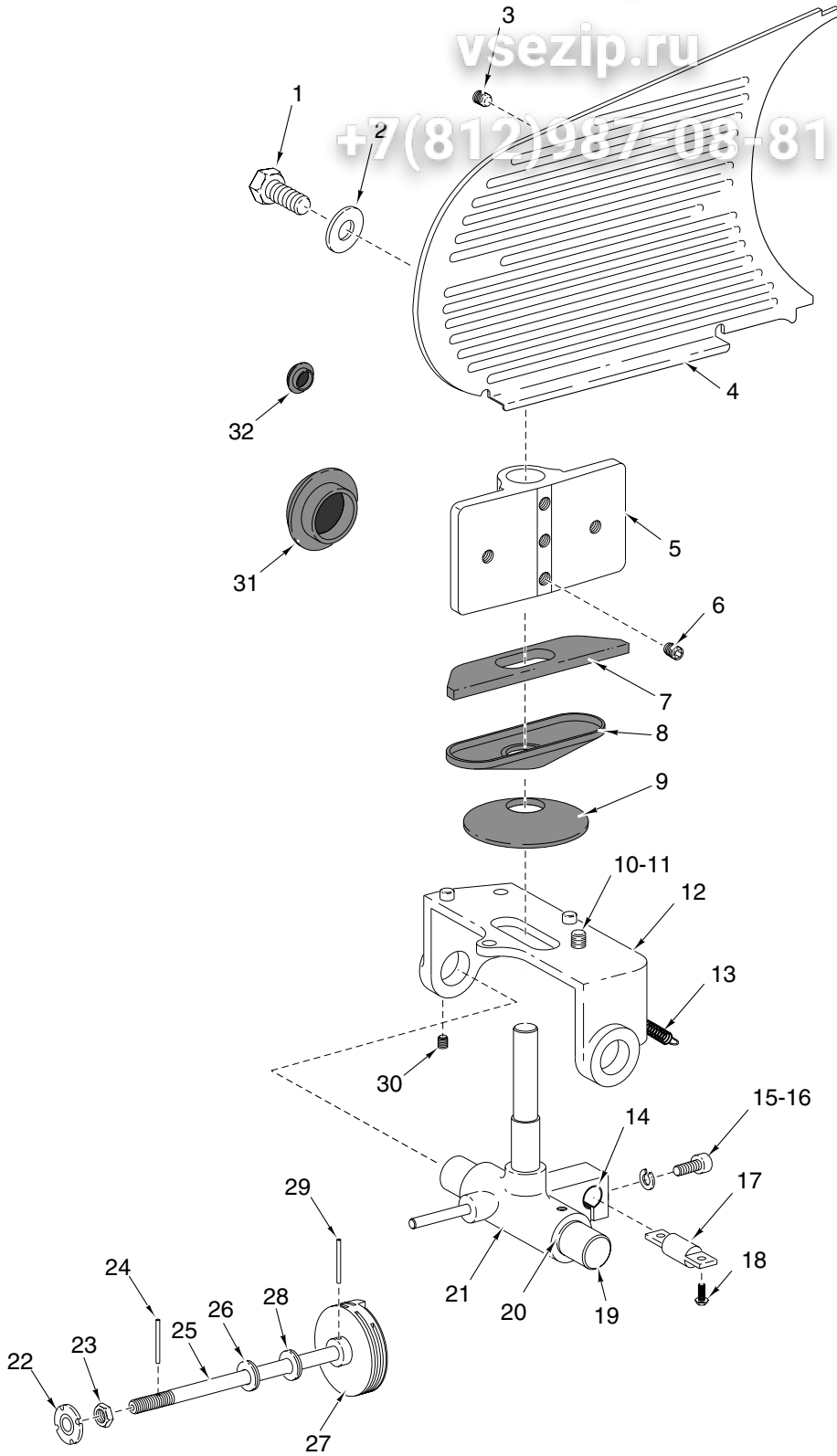


vsezip.ru

+7(812)987-08-81

## CARRIAGE TRAY UNIT

ILLUS.	PART NO.	NAME OF PART	AMT.
PL-55382			
1	00-290984	Thumb Screw – Fence .....	1
2	00-295118	Fence – Thumb Screw Assy. (Packaged) (Incls. Item 5) (SST) .....	1
3	00-295117	High Fence & Thumb Screw Assy. (Horizontal Carriage Tray) (Incls. Item 4) (SST) .....	1
4	00-873867-00001	Support Handle & Slide Rod .....	1
5	SC-123-09	Mach. Screw Special 8-32 x 3/8 Phil. Oval Hd. ....	3
6	SC-124-77	Mach. Screw, SF, 8-32 x 3/8 (2712C Only) .....	3
7	00-873710	Carriage Tray (SST) .....	1
8	SC-123-10	Mach. Screw Special 8-32 x 1 1/2 Phil. Oval Hd. ....	2
9	SC-124-78	Mach. Screw, SF, 8-32 x 1 1/2 (2712C Only) .....	2
10	00-439060	Handle – Carriage .....	1
11	WS-022-02	Washer .....	1
12	SC-123-09	Mach. Screw Special 8-32 x 3/8 Phil. Oval Hd. ....	3
13	SC-123-09	Mach. Screw Special 8-32 x 3/8 Phil. Oval Hd. ....	3
14	SC-124-77	Mach. Screw, SF, 8-32 x 3/8 (2712C Only) .....	1
15	00-477533	Cap – Meat Hanger .....	1
16	WS-022-02	Washer .....	1
17	SC-041-02	Cap Screw 1/4-20 x 1 Hex Hd. ....	2
18	00-478431	Hanger – Meat Grip .....	1
19	00-478015	Knob & Slide Rod Assy. ....	1
20	00-478264	Kit – Meat Grip Arm .....	1
21	SC-113-52	Mach. Screw 10-24 x 1/2 Phil. Truss Hd. ....	1
22	SC-121-34	Mach. Screw, SF, 10-24 x 1/2 (2712C Only) .....	1
23	00-070345	Washer – Handle Retaining .....	1
24	00-070344	Washer – Handle Tension .....	1
25	00-439078	Handle – Meat Grip (Non-Metallic) .....	1
26	00-437006	Washer – Handle .....	1
27	00-438280	Bushing .....	1
28	00-439009	Meat Grip .....	1
	00-477537	Meat Grip Assy. (Lightweight) (Packaged) .....	1



PL-55383

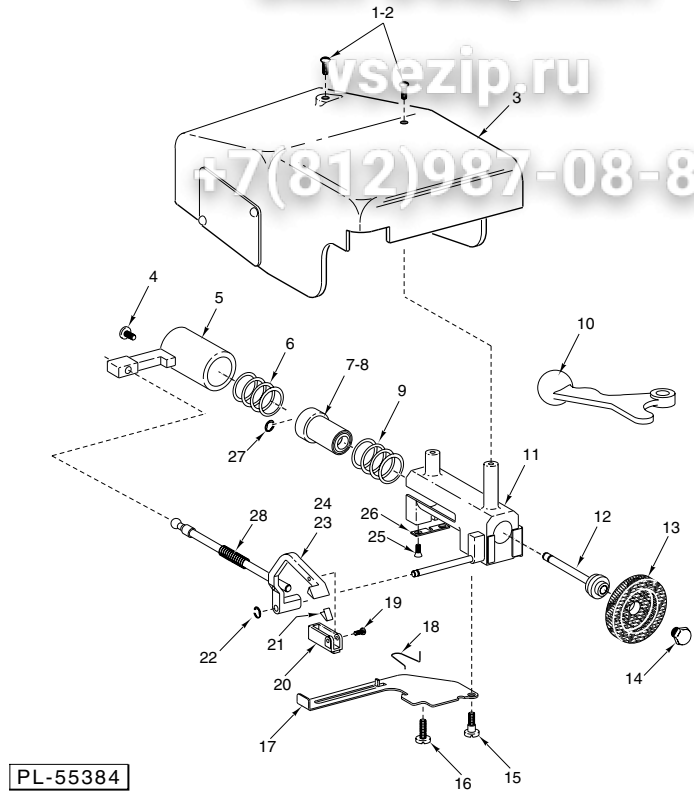
GAUGE PLATE UNIT

vsezip.ru

+7(812)987-08-81

## GAUGE PLATE UNIT

ILLUS. PL-55383	PART NO.	NAME OF PART	AMT.
1	SC-041-16	Cap Screw $\frac{5}{16}$ -18 x $1\frac{3}{8}$ Hex Hd. (SST)	2
2	WS-005-32	Washer	2
3	SC-123-52	Set Screw $\frac{5}{16}$ -24 x $\frac{5}{8}$ Hdls., Flat Pt.	4
4	00-438980	Gauge Plate Assy.	1
5	00-439021-00002	Mount – Special	1
6	SC-124-11	Set Screw $\frac{5}{16}$ -24 x $\frac{5}{8}$ Hdls., Cone Pt.	3
7	00-477744	Cover – Gauge Plate (Bottom)	1
8	00-477745	Retainer – Cover	1
9	00-439079	Disc – Cover	1
10	SD-038-13	Self-Tapping Screw $\frac{5}{16}$ -18 x $\frac{7}{8}$ Hex Washer Hd., Type RL	3
11	WL-007-20	Lockwasher $\frac{5}{16}$ External Shakeproof	3
12	00-439072-00002	Support – Slide Index	1
13	00-478432	Spring – Index Backlash	1
14	00-478425	Bushing – Anti-Rotation Rod	1
15	SC-124-46	Cap Screw 10-24 x $\frac{3}{4}$ Soc. Hd.	3
16	WL-008-13	Lockwasher #10 Internal Shakeproof	3
17	00-478415	Rod – Index Anti-Rotation	1
18	SD-038-14	Self-Tapping Screw $\frac{1}{4}$ -20 x $\frac{7}{8}$ Hex Washer Hd., Type RL	2
19	00-438886	Rod – Index Slide	1
20	00-478426	Bushing – Index Slide	2
21	00-478416-00002	Slide – Index Mechanism	1
22	00-076948	Disc – Indexing Drive	1
23	00-010928-00002	Nut – Special	2
24	RP-002-40	Roll Pin $\frac{3}{32}$ Dia. x $\frac{3}{4}$ Lg.	1
25	00-438890	Camshaft	1
26	00-088298	Washer – Belleville	2
27	00-479625	Cam – Indexing	1
28	WS-030-58	Washer	2
29	RP-003-12	Roll Pin $\frac{1}{8}$ Dia. x $1\frac{1}{4}$ Lg.	1
30	SC-088-71	Set Screw 8-32 x $\frac{3}{8}$ Hdls., Flat Pt.	2
31	00-477753	Plug – Hole (Large)	2
32	00-477754	Plug – Hole (Small)	4



**KNIFE SHARPENER UNIT**

ILLUS.	PART NO.	NAME OF PART	AMT.
PL-55384			
1	SC-113-52	Mach. Screw Special 10-24 x 1/4 Phil. Truss Hd. (2712 Only)	2
2	SC-121-34	Mach. Screw, SF 10-24 x 1/4 (2712C Only)	2
3	00-438459-00001	Plate & Cover Assy.	1
4	SC-122-87	Mach. Screw Special 8-32 x 1/4 Pan Hd.	1
5	00-437260	Actuator	1
6	00-438430	Spring – Main	1
7	00-438464	Plunger & Ball Bearing Assy. (Incls. Item 8)	1
8	BB-021-36	Ball Bearing NSK R4BDD	2
9	00-438437	Spring – Return	1
10	00-479762	Handle – Sharpener, Cam	1
11	00-873852	Housing & Stud Assy.	1
12	00-438417	Shaft – Grinding Wheel	1
13	00-439691	Stone Service Kit	1
14	00-435814	Retaining Screw (RH)	1
15	00-438442	Screw – Shoulder, Special	1
16	SC-122-87	Mach. Screw Special 8-32 x 1/4 Pan Hd.	1
17	00-439698	Lever – Locking	1
18	00-438435	“U” Spring (Long End Inserted Into Housing)	1
19	SC-122-84	Mach. Screw Special 2-56 x 9/16 Pan Hd.	1
20	00-478747	Stone – Truing	1
21	00-435324	Spring – Truing Stone	2
22	RR-006-22	Retaining Ring	1
23	00-873835	Arm – Truing	1
24	00-873836	Push Rod – Truing	1
25	SC-122-85	Mach. Screw Special 4-40 x 1/4 Flat Hd.	2
26	00-439700	Plate – Rear Locking	1
27	RR-006-22	Retaining Ring	1
28	00-438426	Spring – Truing Arm	1
	00-873847-00001	Sharpener Assy. (Incls. Items 1 and 3 thru 28) (2712 Only)	1
	00-873847-00004	Sharpener Assy. (Incls. Items 2 thru 28) (2712C Only)	1
	00-875046	Sharpener Assy., Correctional (2712C Only)	1