

Зип Общепит

vsezip.ru

DESPIECE TECNICO

+7(812)987-08-81

Cocinas eléctricas
Electric ranges
Fourneaux électriques
Elektro-herde
Cucine elettriche
Fogões elétricos

GAMA 900

Modelos:

CE9-20 PLUS

CE9-40 PLUS

CE9-41 PLUS

Octubre 2011 October

Revisado Junio 2013 June Revised

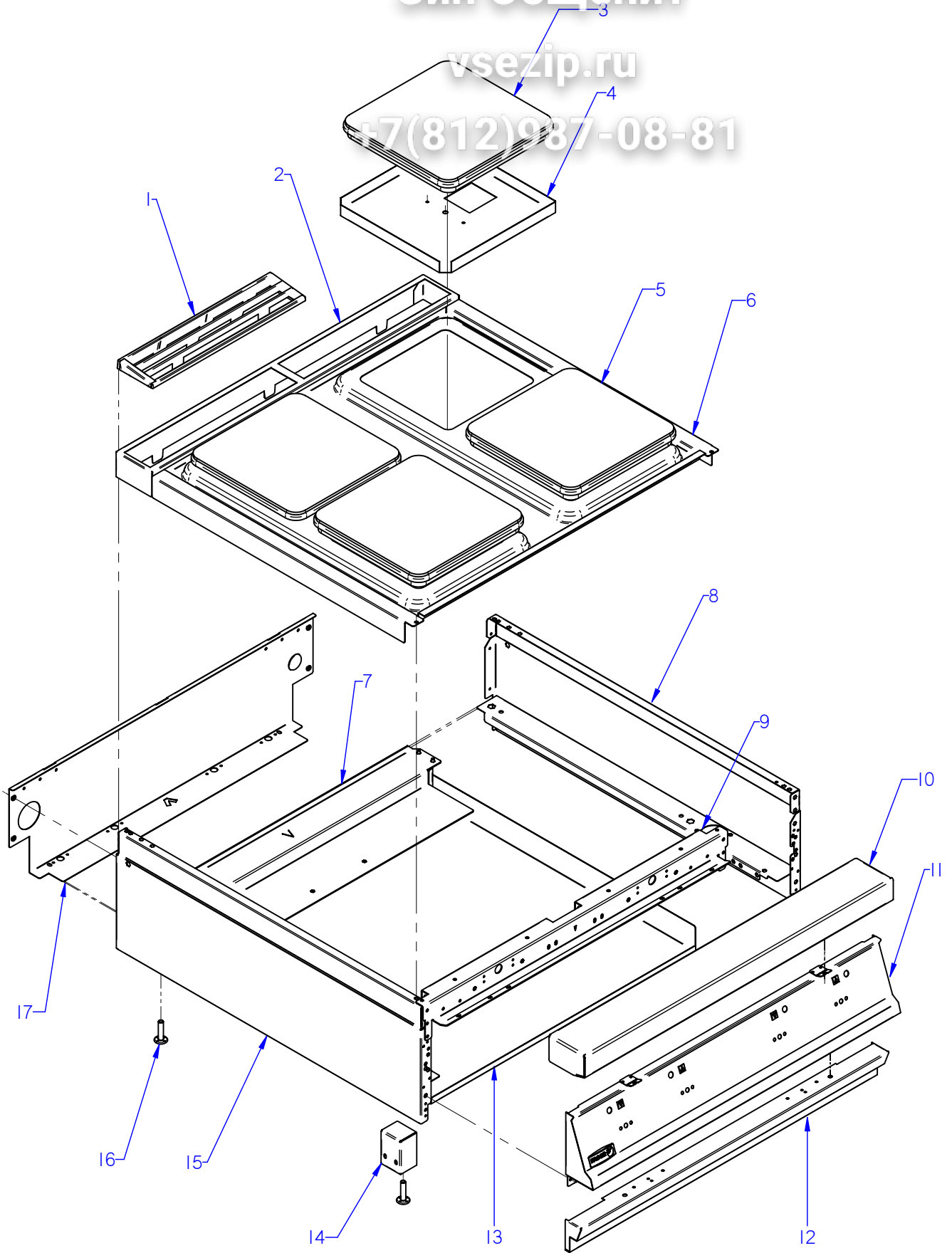
FAGOR 

F A G O R I N D U S T R I A L

Зип Общежит

vsezip.ru

+7(812)987-08-81



ITEM MARCADO EN COLOR = REPUESTO RECOMENDADO
COLOURED ITEM = RECOMMENDED SPARE PART

Nº plano / N° plane	Firma	Fecha / Date	Denominación / Denomination: MUEBLE / FITTING	Lamina / Sheet	Fagor Industrial S.Coop. FAGOR
C-2890	<i>[Signature]</i>	2011-10	COCINA CE9-20 PLUS / CE9-40 PLUS	1	Oñate

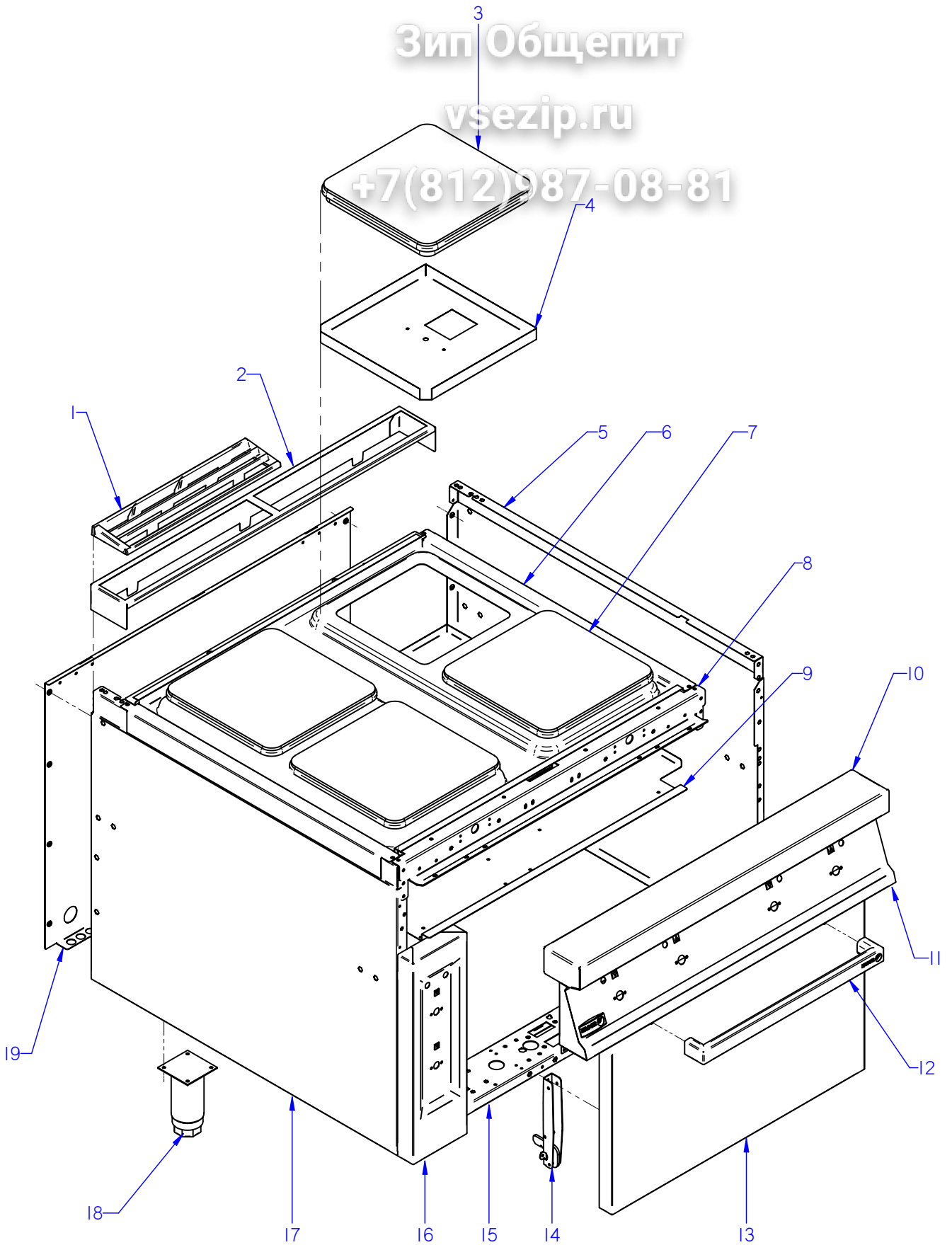
MOD.		COCINAS / RANGES	ZONA / ZONE	MUEBLE / FITTING					
ITEM	CODIGO REFERENCE	DENOMINACION	DENOMINATION	CE9-20 PLUS	CE9-40 PLUS				
1	R205425000	EMBELLECEDOR ESMALTE	ENAMEL TRIM	1	2				
2	R205438000	SOPORTE EMBELLECEDOR 1/2 M	TRIM SUPPORT 1/2 M	1	-				
2	R205439000	SOPORTE EMBELLECEDOR 1 M	TRIM SUPPORT 1 M	-	1				
	Q419005000	REMACHE 4x8 ALMG3 / ALUMINIO	RIVET 4X8 ALMG3 / ALUMINIUM	2	2				
3	U673010000	PLACA 4000W 230V	PLATE 4000W 230V	1	1				
4	U675404000	CAZOLETA DE PLACAS	PLATE CASING	2	4				
	Q162050000	TUERCA EXAGONAL M8x1 INOX	HEXAGONAL NUT M8X1 INOX	2	4				
	Q262050000	ARANDELA GROW. A8 A304	WASHER GROW. A8 A.304	2	4				
	Q232050000	ARANDELA A8	WASHER A8	2	4				
5	U673011000	PLACA 3000W 230V	PLATE 3000W 230V	1	3				
6	U655450000	MESA DE 1/2 M	BENCH 1/2 M	1	-				
6	U675450000	MESA 1M	BENCH 1 M	-	1				
6	12041219	MESA 1M MEK	BENCH 1 M MEK	-	1				
	Q152004000	TORNIL, APLASTADO M5x13 A304	FLAT HEADED BOLT M5x13 A304	4	4				
7	U962675000	TRAVESAÑO PARA SOP. MESA AD	BEAM FOR SUPPOR TABLE AD	-	1				
8	R062810000	PANEL LATERAL DERECHO	RIGHT SIDE PANEL	1	1				
	Q221343000	REMACHE EXAGONAL M6	HEXAGONAL RIVET M6	5	5				
	Q221342000	REMACHE EXAGONAL M5	HEXAGONAL RIVET M5	2	2				
	Q221342000	REMACHE EXAGONAL M5	HEXAGONAL RIVET M5	3	3				
9	R042611000	ESCUA INTER AMAR ANTE 0,5 M	BRACKET INTER FASTE. FRONT	1	-				
9	U042610000	ESCUA INTER AMAR ANTE 1 M	BRACKET INTER FASTE. FRONT	-	1				
	Q221342000	REMACHE EXAGONAL M5	HEXAGONAL RIVET M5	3	2				
	Q152004000	TORNIL, APLASTADO M5x13 A304	FLAT HEADED BOLT M5x13 A304	6	6				
	Q221343000	REMACHE EXAGONAL M6	HEXAGONAL RIVET M6	2	2				
	Q302022000	ARANDELA 16x6x1,2 A304	WASHER 16x6x1,2 A304	4	4				
	Q221342000	REMACHE EXAGONAL M5	HEXAGONAL RIVET M5	4	4				
10	U965415000	ANTERIOR MESA 0,5 M AD	BENCH FRONT 0.5 M AD	1	-				
10	S105403000	ANTERIOR MESA 1 M AD	BENCH FRONT 1 M AD	-	1				
	Q152004000	TORNIL, APLASTADO M5x13 A304	FLAT HEADED BOLT M5x13 A304	2	2				
	Q302022000	ARANDELA 16x6x1,2 A304	WASHER 16x6x1,2 A304	2	2				

MOD.		COCINAS / RANGES	ZONA / ZONE	MUEBLE / FITTING					
ITEM	CODIGO REFERENCE	DENOMINACION	DENOMINATION	CE9-20 PLUS	CE9-40 PLUS				
11	U142814000	PORTAMANDOS CE9-20	CONTROL HOLDER CE9-20	1	-				
11	U172807000	PORTAMANDOS CE9-41	CONTROL HOLDER CE9-41	-	1				
	U022836000	ESCUDO FAGOR	FAGOR EMBLEM	1	1				
	Q221023000	CLIP SUJECIÓN RÁPIDA Ø5	RAPID CONNECT CLIP Ø5	2	2				
	Q152004000	TORNIL, APLASTADO M5x13 A304	FLAT HEADED BOLT M5x13 A304	2	2				
12	R062805000	ZOCALO COMPLETO 1/2M	COMPLETE SKIRTING 1/2M	1	-				
12	H352817000	ZOCALO COMPLETO	COMPLETE SKIRTING	-	1				
	Q151336000	TORNILLO SOPORTE GUIAS	TORNILLO SOPORTE GUIAS	2	2				
	Q221343000	REMACHE EXAGONAL M6	HEXAGONAL RIVET M6	2	2				
	Q152004000	TORNIL, APLASTADO M5x13 A304	FLAT HEADED BOLT M5x13	2	2				
	Q302022000	ARANDELA 16x6x1,2 A304	WASHER 16x6x1,2 A304	2	2				
13	U962673000	BASE INFERIOR CE9-20 AD	LOWER BASE CE9-20 AD	1	-				
13	U962676000	BASE INFERIOR CE9-40 AD	LOWER BASE CE9-40 AD	-	1				
	Q152004000	TORNIL, APLASTADO M5x13 A304	FLAT HEADED BOLT M5x13 A304	4	2				
	Q302022000	ARANDELA 16x6x1,2 A304	WASHER 16x6x1,2 A304	4	-				
	Q419007000	REMACHE TUBULAR C/V Ø3.2X6	TUBULAR RIVET C/V Ø3.2X6	-	8				
14	U962627000	ESCUADRA AMARRE PATA AD	LEG FASTENING BRACKET AD	2	2				
	Q162030000	TUERCA EXAGONAL M5	HEXAGONAL NUT M5	4	4				
	Q302022000	ARANDELA 16x6x1,2 A304	WASHER 16x6x1,2 A304	4	4				
15	R062811000	PANEL LATERAL IZQUIERDO	LEFT SIDE PANEL	1	1				
	Q221343000	REMACHE EXAGONAL M6	HEXAGONAL RIVET M6	5	5				
	Q221342000	REMACHE EXAGONAL M5	HEXAGONAL RIVET M5	2	2				
	Q221342000	REMACHE EXAGONAL M5	HEXAGONAL RIVET M5	3	3				
16	Z200107000	PATA REGULABLE	ADJUSTABLE LEG	4	4				
	Q221345000	REMACHE EXAGONAL M10	HEXAGONAL RIVET M10	4	4				
17	R042838000	PANEL POSTERIOR 0,5 M	REAR PANEL 0.5 M	1	-				
17	U042805000	PANEL POSTERIOR 1 M	REAR PANEL 1 M	-	1				
	Q419005000	REMACHE 4x8 ALMG3 / ALUMINIO	RIVET 4X8 ALMG3 / ALUMINIUM	4	4				

Зип Общепит

vsezip.ru

+7(812)987-08-81



ITEM MARCADO EN COLOR = REPUESTO RECOMENDADO
COLOURED ITEM = RECOMMENDED SPARE PART

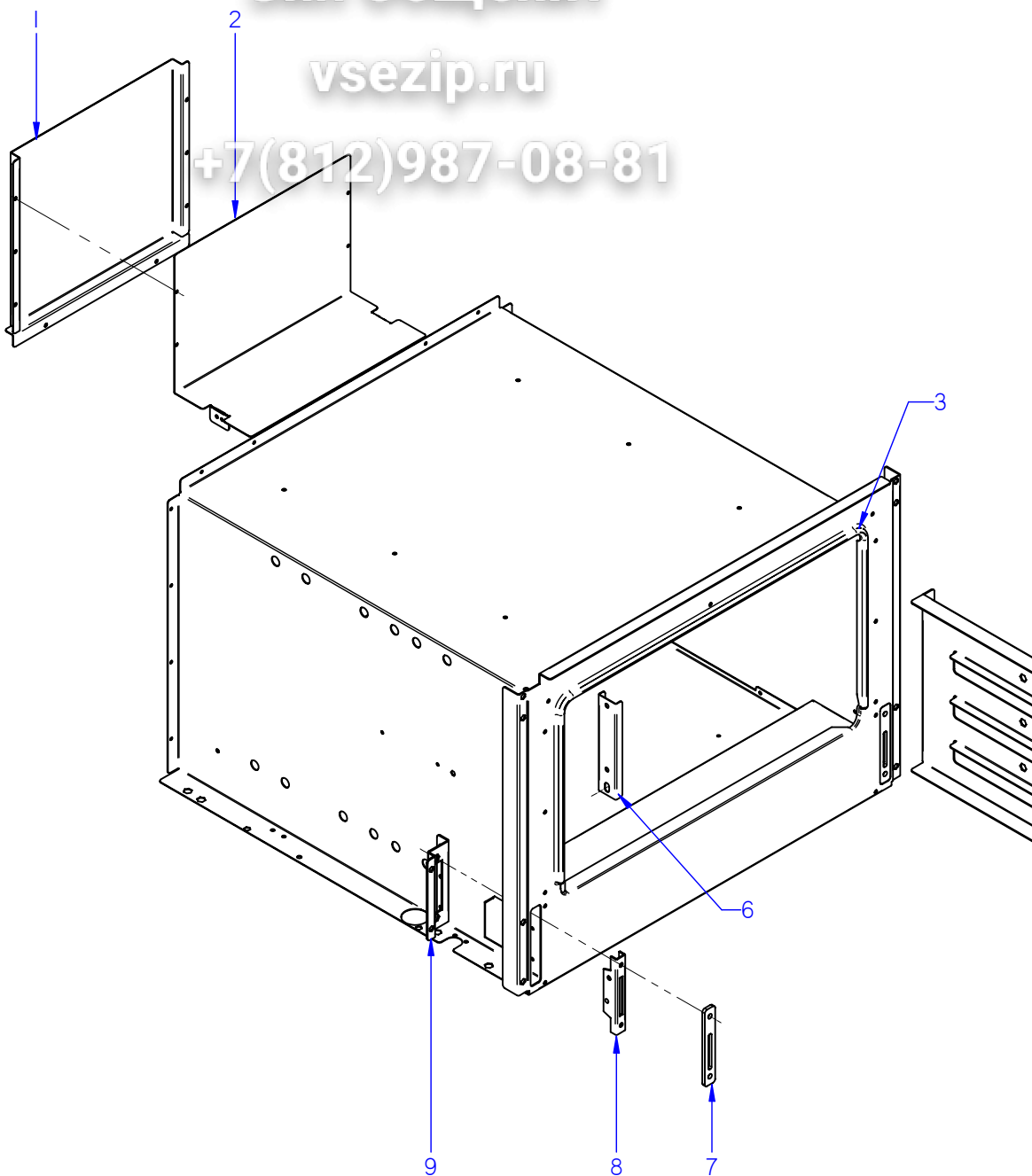
Nº plano / N° plane	Firma	Fecha / Date	Denominación / Denomination:	MUEBLE / FITTING	Lamina / Sheet	Fagor Industrial S.Coop. FAGOR
C-2891	<i>[Signature]</i>	2011-10	COCINA CE9-41PLUS	2	Oñate	

MOD.		COCINAS / RANGES	ZONA / ZONE	MUEBLE / FITTING					
ITEM	CODIGO REFERENCE	DENOMINACION	DENOMINATION	CE9-41 PLUS					
1	R205425000	EMBELLECEDOR ESMALTE	ENAMEL TRIM	2					
2	R205439000	SOPORTE EMBELLECEDOR 1 M	TRIM SUPPORT 1 M	1					
3	U673010000	PLACA 4000W 230V	PLATE 4000W 230V	1					
4	U675404000	CAZOLETA DE PLACAS	PLATE CASING	4					
	Q162050000	TUERCA EXAGONAL M8X1 INOX	HEXAGONAL NUT M8X1 INOX	4					
	Q262050000	ARANDELEA GROW. A8 A.304	WASHER GROW. A8 A.304	4					
	Q232050000	ARANDELA A8	WASHER A8	4					
5	U022842000	PANEL LATERAL DERECHO G9-00	RIGHT SIDE PANEL G9-00	1					
	Q221343000	REMACHE EXAGONAL M6	HEXAGONAL RIVET M6	11					
	Q221342000	REMACHE EXAGONAL M5	HEXAGONAL RIVET M5	11					
	Q152004000	TORNILLO APLASTADO M5x13 A304	FLAT HEADED BOLT M5x13	4					
6	U675450000	MESA 1M	BENCH 1 M	1					
6	12041219	MESA 1M MEK	BENCH 1 M MEK	1					
	Q012032000	TORNILLO EXAGONAL M5x15	HEXAGONAL BOLT M5x15	4					
7	U673011000	PLACA 3000W 230V	PLATE 3000W 230V	3					
8	U042610000	ESCUA INTER AMAR ANTE 1 M	BRACKET INTER FASTE. FRONT	1					
	Q221342000	REMACHE EXAGONAL M5	HEXAGONAL RIVET M5	4					
	Q012032000	TORNILLO EXAGONAL M5x15	HEXAGONAL BOLT M5x15	4					
	Q152004000	TORNIL, APLASTADO M5x13 A304	FLAT HEADED BOLT M5x13 A304	6					
	Q302022000	ARANDELA 16x6x1,2 A304	WASHER 16x6x1.2 A304	6					
9	U962657000	BASE BANDEJAS 1 M AD	TRAY BASE 1 M AD	1					
	Q419005000	REMACHE 4x8 ALMG3 / ALUMINIO	RIVET 4X8 ALMG3 / ALUMINIUM	2					
10	S105403000	ANTERIOR MESA 1 M AD	BENCH FRONT 1 M AD	1					
	Q152004000	TORNIL, APLASTADO M5x13 A304	FLAT HEADED BOLT M5x13 A304	2					
	Q302022000	ARANDELA 16x6x1,2 A304	WASHER 16x6x1.2 A304	2					
11	U172810000	PORTAMANDOS COMPL. CE9-41	CONTROL HOLDER CE9-41	1					
	U022836000	ESCUDO FAGOR	FAGOR EMBLEM	1					
	Q221023000	CLIP SUJECIÓN RÁPIDA Ø5	RAPID CONNECT CLIP Ø5	2					
	Q152004000	TORNIL, APLASTADO M5x13 A304	FLAT HEADED BOLT M5x13	4					

Зип Общепит

vsezip.ru

+7(812)987-08-81



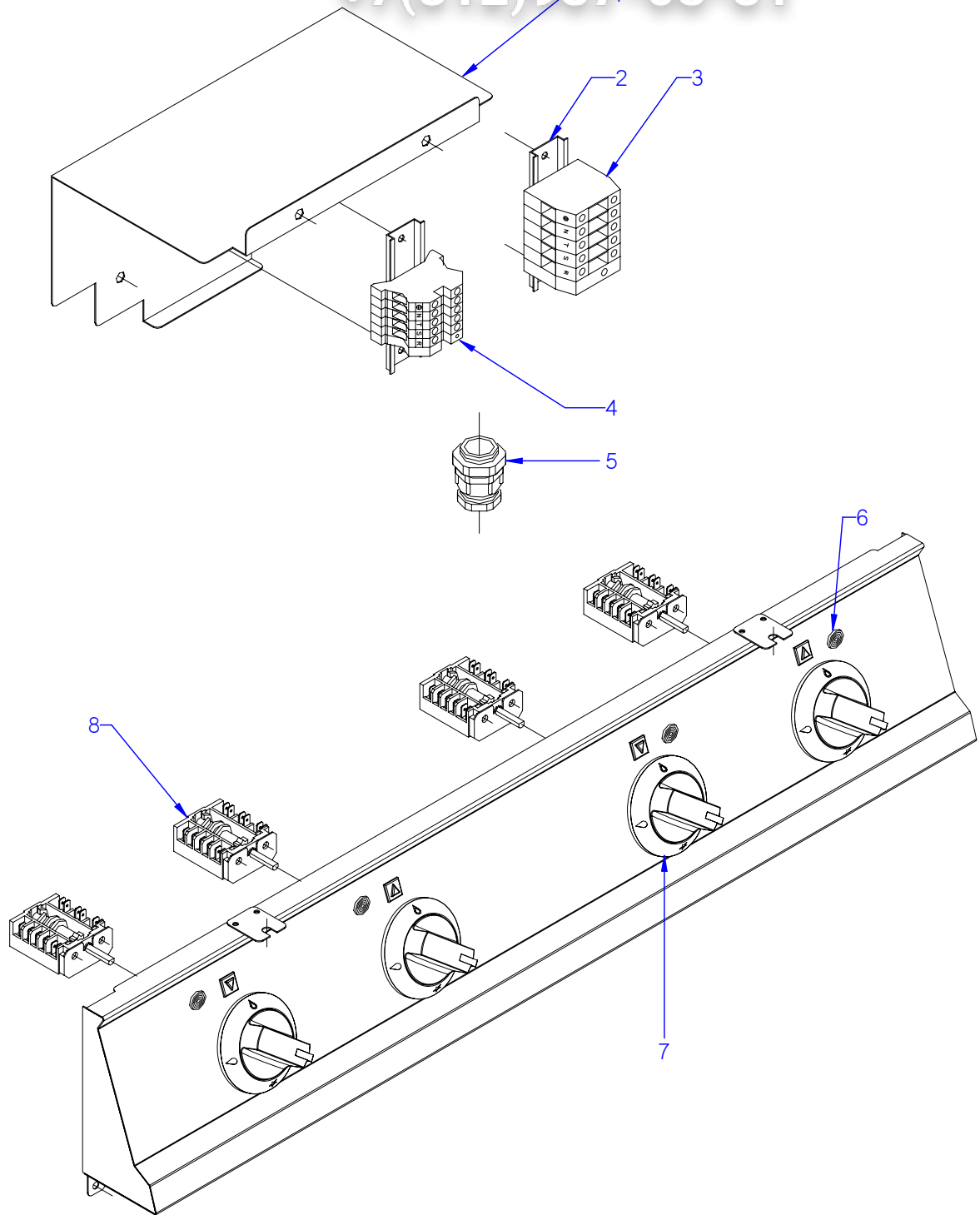
Nº plano / N° plane	Firma	Fecha / Date	Denominación / Denomination:	Lamina / Sheet	Fagor Industrial S. Coop. FAGOR Orste
C-2892	<i>(Signature)</i>	2011-10	COCINA CE9-41 PLUS	3	

ITEM MARCADO EN COLOR = REPUUESTO RECOMENDADO
COLOURED ITEM = RECOMMENDED SPARE PART


Зип Общепит

vsezip.ru

+7(812)987-08-81



ITEM MARCADO EN COLOR = REPUESTO RECOMENDADO
COLOURED ITEM = RECOMMENDED SPARE PART

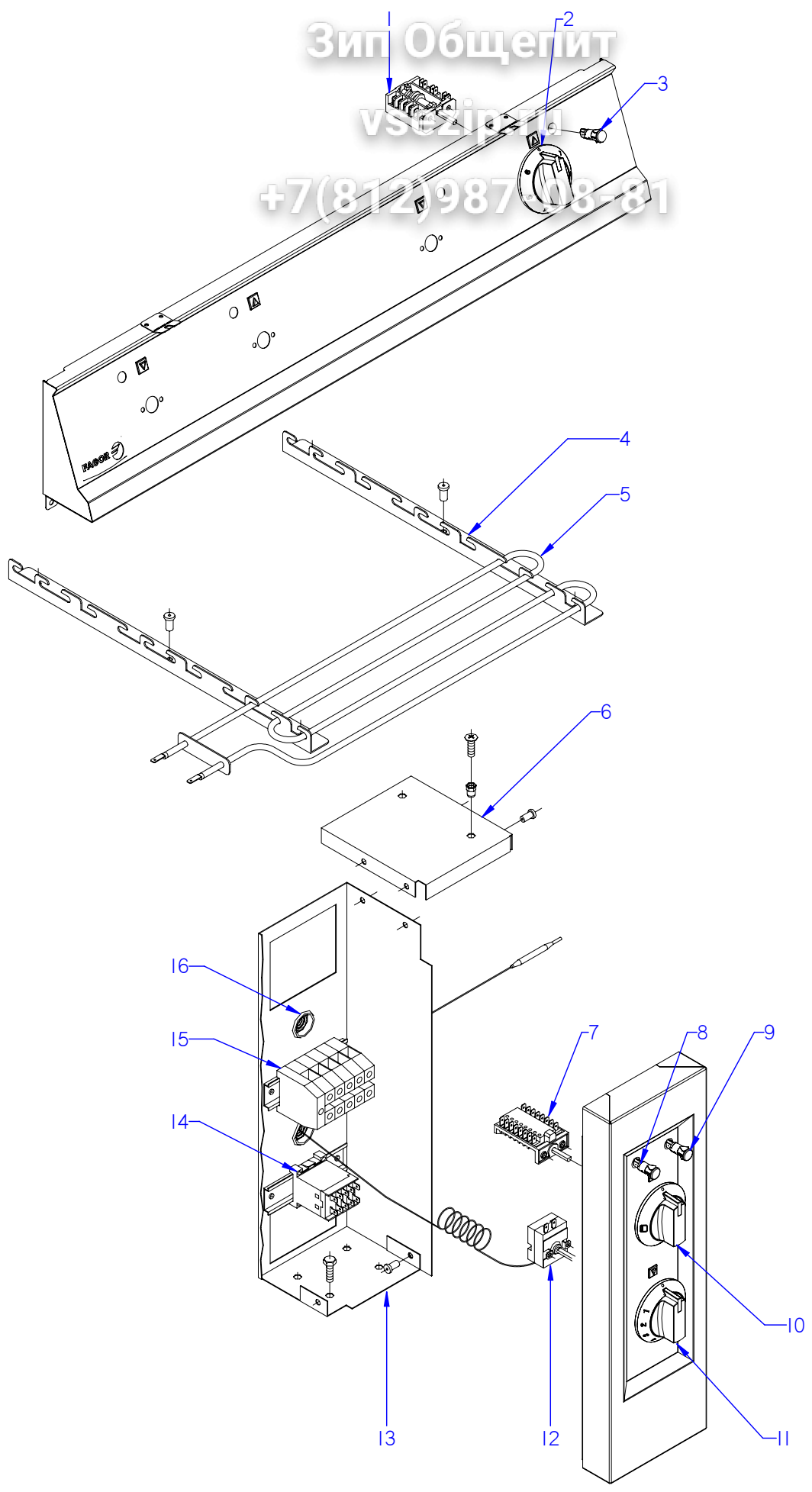
Nº plano / N ° plane	Firma	Fecha / Date	Denominación / Denomination: PARTE FUNCIONAL / FUNCTIONAL PART	Lamina / Sheet	Fagor Industrial S.Coop. FAGOR
C-2893	<i>[Signature]</i>	2011-10	COCINA CE9-20 PLUS / CE9-40 PLUS	4	Note 

MOD.		COCINAS / RANGES		ZONA / ZONE		PARTE FUNCIONAL / FUNCTIONAL PART					
ITEM	CODIGO REFERENCE	DENOMINACION	DENOMINATION	CE9-20 PLUS	CE9-40 PLUS						
1	U962672000	CHAPA PROT.CONMUTADORAS AD	SWITCH PROTECTION PLATE AD	1	2						
	Q152004000	TORNIL, APLASTADO M5x13 A304	FLAT HEADED BOLT M5x13	4	4						
	Q221341000	REMACHE EXAGONAL M 4	HEXAGONAL RIVET M4	1	1						
2	R663055000	GUIA CONTACTOR L-120	CONTACTOR GUIDE L-120	1	1						
	Q419005000	REMACHE 4x8 ALMG3 / ALUMINIO	RIVET 4X8 ALMG3 / ALUMINIUM	2	4						
3	R263003000	BORNA PASO 35 MM.	TAP TERMINAL 35 MM		3						
	R673010000	BORNA PASO AZUL 35 MM.	BLUE TAP TERMINAL 35 MM		1						
	Z103035000	BORNA TIERRA 35 MM.	TERMINAL TIER 35 MM.		1						
	Z683096000	TOPE FINAL WEW35 10590.0	END STOP WEW35 10590.0		1						
	Z683068000	SEÑALIZ.DEK-6 WEIDMULLER	SIGNAL.DEK-6 WEIDMULLER		1						
4	P453025000	BORNES 10 WDU-10203.0	TERMINAL 10 WDU-10203.0	3							
	Z263302000	BORNA PASO AZUL	BLUE TAP TERMINAL	1							
	P453026000	BORNA TIERRA 10 WPE-10103.3	TERMINAL TIER 10 WPE-10103.3	1							
	Z263303000	TOPE FINAL	END STOP	1							
	Z683068000	SEÑALIZ.DEK-6 WEIDMULLER	SIGNAL.DEK-6 WEIDMULLER	1							
5	R023013000	PRENSA ESTOPAS	STUFFING BOX	1	1						
	R023025000	CONTRATUERCA (GAES)	COUNTERNUT (GAES)	1	1						
	R023026000	JUNTA DE GOMA (GAES)	RUBBER SEAL (GAES)	1	1						
6	R693056000	PILOTO AMBAR	PILOTO AMBAR	2	4						
6	12024669	PILOTO AMBAR Ø18	AMBER PILOT Ø18	2	4						
7	U173007000	MANDO MONTADO Ø 6	MOUNTED CONTROL Ø 6	2	4						
8	U673007000	CONMUTADOR EGO	SWITCH EGO	2	4						
S/Nº	R052102000	JUNTA COMPONENT. ELECTRICOS	BOARD OF ELECTRICAL COMP.	2	4						
	Q151320000	TORNILLO ALOMADO M4x6 H.ZINC	CURVED SCREW M4X6 H. ZINC	4	8						

Зип Общепит

vsezip.ru

+7(812)987-08-81



ITEM MARCADO EN COLOR = REPUESTO RECOMENDADO
COLOURED ITEM = RECOMMENDED SPARE PART

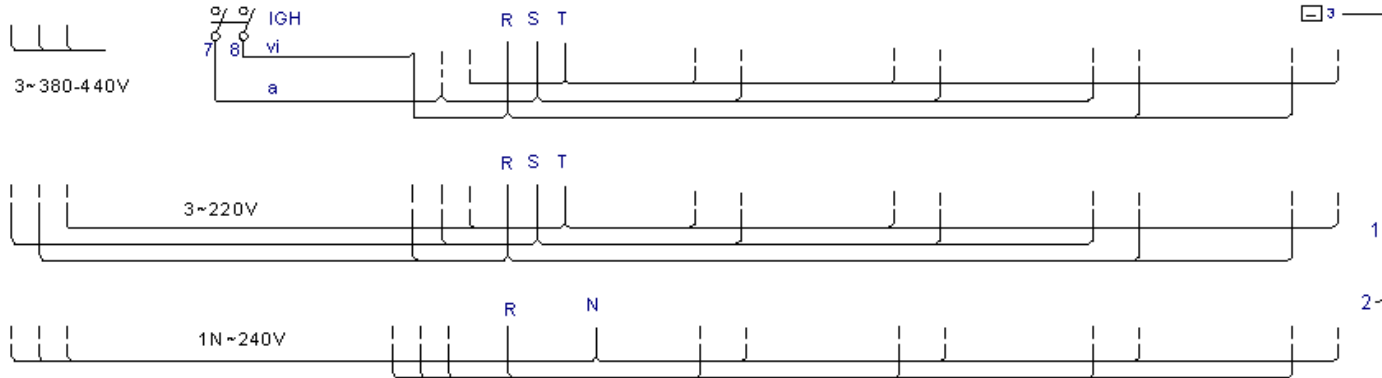
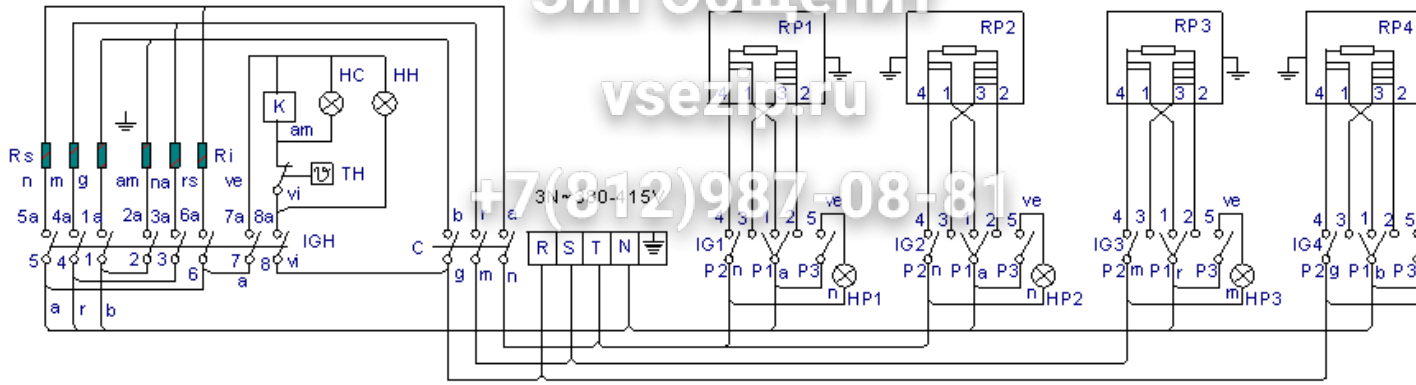
Nº plano / Nº plane	Firma	Fecha / Date	Denominación / Denomination: PARTE FUNCIONAL / FUNCTIONAL PART	Lamina / Sheet	Fagor Industrial S.Coop. FAGOR
C-2894	<i>[Signature]</i>	2011-10	COCINA CE9-41 PLUS	5	Oñate

MOD.		COCINAS / RANGES		ZONA / ZONE		PARTE FUNCIONAL / FUNCTIONAL PART					
ITEM	CODIGO REFERENCE	DENOMINACION	DENOMINATION	CE9-41 PLUS							
1	U673007000	CONMUTADOR EGO	SWITCH EGO	4							
S/Nº	R052102000	JUNTA COMPONENT. ELECTRICOS	BOARD OF ELECTRICAL COMP.	4							
	Q151320000	TORNILLO ALOMADO M4x6 H.ZINC.	CURVED SCREW M4X6 H. ZINC	8							
2	U173007000	MANDO MONTADO CE Ø6	CONTROL CE Ø6	4							
3	R693056000	PILOTO AMBAR	PILOTO AMBAR	4							
3	12024669	PILOTO AMBAR Ø18	AMBER PILOT Ø18	4							
4	U965620000	ESCUADRA SOP. RESISTENCIAS A	SUPP. BRACKET RESISTORS AD	4							
	Q419005000	REMACHE 4x8 ALMG3 / ALUMINIO	RIVET 4X8 ALMG3 / ALUMINIUM	12							
5	U803004000	RESISTENCIA 1000W/230V	RESISTOR 1000W -230V	6							
6	U963003000	TAPA DE CUADRO ELECTRICO AD	ELECTRIC PANEL COVER AD	1							
	Q419005000	REMACHE 4x8 ALMG3 / ALUMINIO	RIVET 4X8 ALMG3 / ALUMINIUM	6							
	Q012032000	TORNILLO EXAGONAL M5x15 A304	HEXAGONAL BOLT M5x15	4							
7	U673006000	CONMUTADOR	SWITCH	1							
	Q151320000	TORNILLO ALOMADO M4x6 H.ZINC.	CURVED SCREW M4X6 H. ZINC	2							
8	X143017000	PILOTO VERDE	GREEN PILOT	1							
8	12047390	PILOTO VERDE 230V AC 8KW 16MM	GREEN PILOT 230V AC 8KW 16MM	1							
9	X143018000	PILOTO AMBAR	AMBER PILOT	1							
9	12024669	PILOTO AMBAR Ø18	AMBER PILOT Ø18	1							
10	U173006000	MANDO MONTADO CE Ø6	CONTROL CE Ø6	1							
11	U173005000	MANDO CE Ø6 TERMOSTATO	CONTROL Ø6 THERMOSTAT	1							
12	X153000000	TERMOSTATO 50-310º C	THERMOSTAT 50-310 C	1							
	Q151320000	TORNILLO ALOMADO M4x6 H.ZINC.	CURVED SCREW M4X6 H. ZINC	2							
13	U963002000	CUADRO ELECTRICO AD	ELECTRICAL PANEL AD	1							
14	Z213007000	CONTACTOR 3TF2010-3AL2	CONTACTOR 3TF2010-3AL2	1							
	R663055000	GUIA CONTACTOR L-120	CONTACTOR GUIDE L-120	1							
	Q419005000	REMACHE 4x8 ALMG3 / ALUMINIO	RIVET 4X8 ALMG3 / ALUMINIUM	4							
15	R263003000	BORNA PASO 35 MM.	TAP TERMINAL 35 MM	3							
	R673010000	BORNA PASO AZUL 35 MM.	BLUE TAP TERMINAL 35 MM	1							
	Z103035000	BORNA TIERRA 35 MM.	TERMINAL TIER 35 MM.	1							
	Z683069000	TOPE FINAL WEW35 10590.0	END STOP WEW35 10590.0	1							
16	X723014000	PASAMUROS AMETRO 30	BUSHING AMETRO 30	2							

Сип Обществени

vsezi.ru

+7(812)987-08-81



- HPx: Lampara Calentamiento Placas / Heating lamp (electrical plates) HC : Lampara Calentamiento Horno / Heating lamp (oven) BH : Term ostatico de Horno / Thermo
- IGx : Conmutadores de placas electricas / Main switch (electrical plates) Ri : Resistencia Horno Inferior / Lower resistance (oven) TFR: Transformador / Transformer
- IGH : Conmutador General Horno / Oven main switch Rs : Resistencia Horno Superior / Top resistance (oven) K: Contactor / Contactor
- HH : Lampara Horno Encendido / Main lamp (oven) RPx : Placas electricas / Electrical plates

Esquema teorico adhesivo		
Nº	Pieza	
Nº	Modificacion	
Dibujado	Firma	Fecha
Proyectado	Im plazaola	31.05.05
Comprobado	<i>Leto g</i>	
Escala		
1/1		
Firma Inacez Calle 5ra 12-1000 Santiago		

Simb/LENG		ESPAÑOL	ENGLISH	FRANÇAIS	DEUTSCH
C1, C2	=	Contactador Calentamiento	Contacteur Chauffe	Heating Contactor	Heizschütz
CN	=	Control de Nivel de agua	Control of water Level	Commanche de niveau d'eau	Steuerung des Wasserspi
E	=	Generador de Chispa	Spark generator	Générateur d'étincelle	Funkengenerator
IB	=	Micro tope bajada	Microswitch of lowered Limit	Microcontact de la limite abaissée	Mikroschalter der gesenkt
IG	=	Interruptor general	General switch	Commutateur général	Allgemeiner Schalter
IGV	=	Interruptor electrovalvulas de agua	Switch electrovalvula water	Commutez l'eau d'electrovalvula	Schalten Sie electrovalvula
IE	=	Pulsador de Encendido	Ignition Switch	Commutateur d'allumage	Zündung-Schalter
IMB	=	Pulsador bajada	lowered switch	commutateur abais	gesenkter Schalter
IMS	=	Pulsador subida	Raised switch	Commutateur augmenté	Angehobener Schalter
IP	=	Micro seguridad	security microswitch	microcontact de sécurité	Sicherheitsmikroschalter
IS	=	Micro tope subida	Microswitch of rise Limit	Microcontact de la limite d'élévation	Mikroschalter der Aufstieg
L1	=	Lámpara marcha	Operation Light	Lumière d'opération	Betriebs-Licht
L2	=	Lámpara calentamiento	Heating Light	Lumière de chauffage	Heizungs-Licht
M	=	Motor de elevacion	Motor of elevation	Moteur d'altitude	Motor des Aufzugs
P	=	Presostato de Camara	Water Level Switch	Commutateur de niveau d'eau	Wasserspiegel-Schalter
PR	=	Puente rectificador	Electrical bridge rectifier	Pont redresseur électrique	Elektrischer Brückengleich
R	=	Resistencia Calentamiento.	Resistance Chauffe	Heating Resistors	Widerstand Aufheizung
RE	=	Regulador Energia	Regulator of Energy	Régulateur d'énergie	Regler von Energie
T	=	Termostato	Thermostat	Thermostat	Thermostat
TRF	=	Transformador	Transformer	Transformateur	Transformator
TS	=	Termostato de seguridad	Security Thermostat	Thermostat de sécurité	Sicherheits-Thermostat
TRP	=	Termopar	Thermocouple	Thermocouple	Thermoelement
VG1,VG2	=	ElectroVálvula gas	Electrical gas valve	Clapet à gaz électrique	Elektrisches Gichtventil
V1	=	Valvula Agua CALIENTE	ElectroValve of Hot Water	Électrovalve d'eau chaude	Elektroventil des Heißwas
V2	=	Valvula Agua FRIA	ElectroValve of cold Water	Électrovalve d'eau froide	Elektroventil des kalten W
V3	=	Valvula Agua Caldera	electrovalve of water boiler	électrovalve de chauffe-eau	Elektroventil des Warmwa
	=	COLORES	COLOUR	COULEURS	FARBEN
a	=	Azul	Blue	Bleu	Blau
am	=	Amarillo	Yellow	Jaune	Gelb
am/ve	=	Amarillo/verde	Yellow / green	Jaune / vert	Gelb/grün
b	=	Blanco	White	Blanc	Weiß
g	=	Gris	Grey	Gris	Grau
m	=	Marrón	Brown	Marron	Braun
n	=	Negro	Black	Noir	Schwarz
na	=	Naranja	Orange	Orange	Orange
r	=	Rojo	Red	Rouge	Rot
rs	=	Rosa	Pink	Rose	Rosa
ve	=	Verde	Green	Vert	Grün
vi	=	Violeta	Purple	Violet	Violett