

Зип Общепит

vsezip.ru

DESPIECE TECNICO

+7(812)987-08-81

**Freidoras
Friteuses
Fryers
Friggitrici
Fritadeiras
Fritteusen**

GAMA SNACK

Modelos:

FE-18

FE-25

Junio 2010 June

Revisado Julio 2013 July Revised

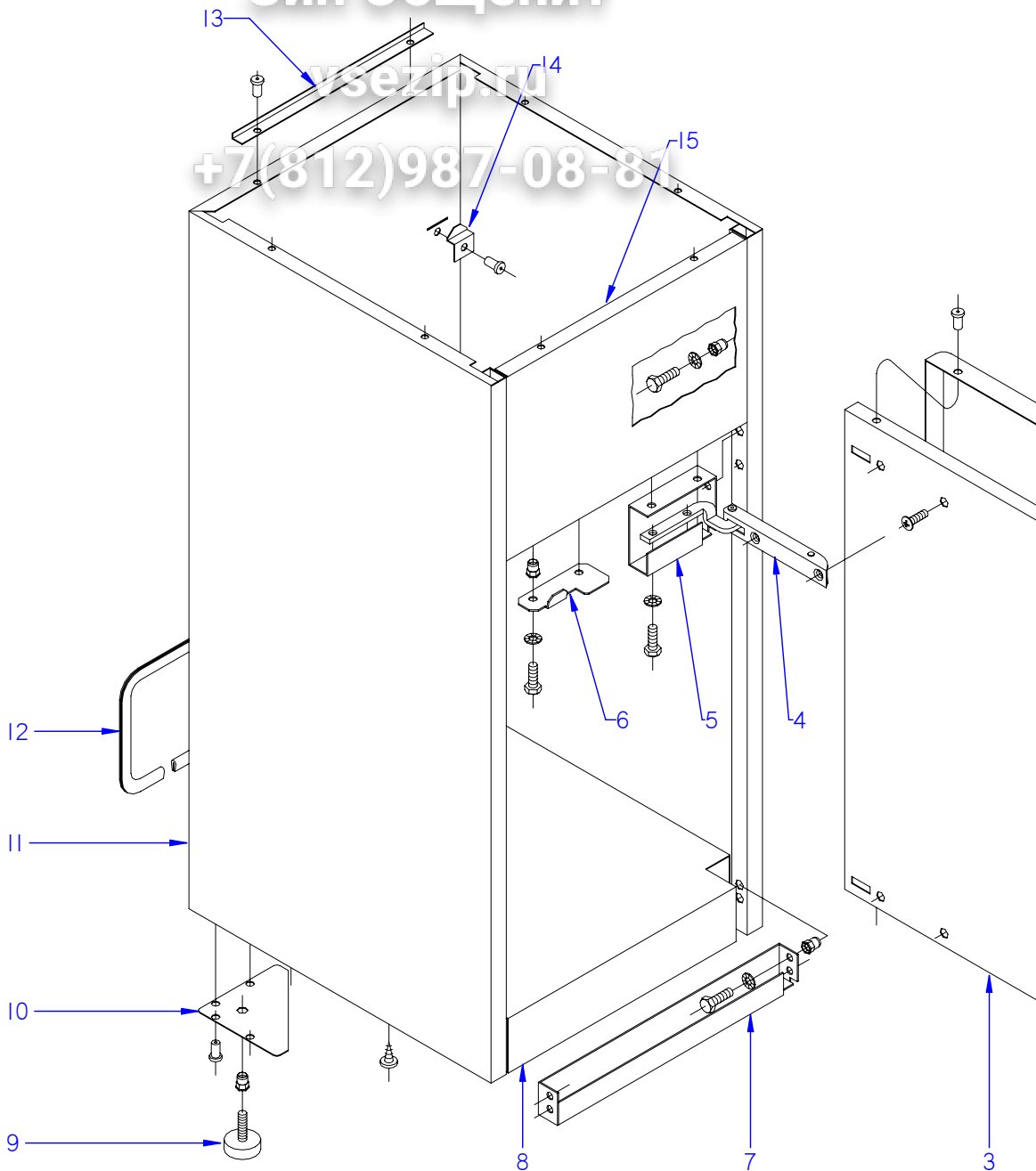
FAGOR 

F A G O R I N D U S T R I A L

Зип Общепит

vsezip.ru

+7(812)987-08-81



ITEM MARCADO EN COLOR = REPUESTO RECOMENDADO
COLOURED ITEM = RECOMMENDED SPARE PART

| | |
|---------------------------|-------------------------|
| N plano | C-2668 |
| Firma | |
| Fecha | 2010-06 |
| Aparato | FREIDORAS FE-18 / FE-25 |
| MUEBLE / FITTING | |
| Lamina | 1 |
| Fagor Industrial S. Coop. | Orste |

+7(812)987-08-81

| MOD. | FREIDORAS / FRYERS | ZONA / ZONE | MUEBLE / FITTING | | | | | |
|------|--------------------|---------------------------|------------------------|-------|-------|--|--|--|
| ITEM | CODIGO CODE | DENOMINACION | NAME | FE-18 | FE-25 | | | |
| 1 | X380507000 | TIRADOR PUERTA | DOOR PULL | 1 | 1 | | | |
| | Q012021000 | TORNILLO EXAGONAL M-4X10 | HEXAGONAL SCREW M-4x10 | 2 | 2 | | | |
| | Q242020000 | ARANDELA ABANICO A-4 | FAN WASHER A-4 | 2 | 2 | | | |
| | Q162020000 | TUERCA EXAGONAL M-4 | HEXAGONAL NUT M-4 | 2 | 2 | | | |
| | U120529000 | GOMA PARACHOQUES | RUBBER BUMPER | 2 | 2 | | | |
| | Q152004000 | TORNILLO APLASTADO M-5X13 | FLAT SCREW M-5x13 | 4 | 4 | | | |
| 2 | X380503000 | PUERTA | DOOR | 1 | - | | | |
| 2 | X390503000 | PUERTA | DOOR | - | 1 | | | |
| S/Nº | X960501000 | IMAN | MAGNET | 1 | 1 | | | |
| S/Nº | X960502000 | FIJACION IMAN | MAGNET ATTACHMENT | 1 | 1 | | | |
| | Q012021000 | TORNILLO EXAGONAL M4X10 | HEXAGONAL BOLT M4x10 | 1 | 1 | | | |
| 3 | X380504000 | CONTRAPUERTA | DOOR REVERSE | 1 | - | | | |
| 3 | X390504000 | CONTRAPUERTA | DOOR REVERSE | - | 1 | | | |
| | Q419005000 | REMACHE TUBULAR Ø 4X8 | TUBULAR RIVET Ø 4X8 | 4 | 4 | | | |
| 4 | X702806000 | BISAGRA LATERAL | SIDE HINGE | 2 | 2 | | | |
| 4 | 12040884 | CUERPO BISAGRA | HINGE | 2 | 2 | | | |
| S/Nº | 12040886 | BISAGRA L | L HINGE | 2 | 2 | | | |
| 5 | X380305000 | SOPORTE BISAGRA SUPERIOR | UPPER HINGE SUPPORT | 1 | 1 | | | |
| | Q242030000 | ARANDELA ABANICO A-5 | FAN WASHER A-5 | 4 | 4 | | | |
| | Q012031000 | TORNILLO EXAGONAL M-5X10 | HEXAGONAL SCREW M-5x10 | 4 | 4 | | | |
| | Q221343000 | REMACHE EXAGONAL M-6 | HEXAGONAL RIVET M-6 | 4 | 4 | | | |
| | Q242040000 | ARANDELA ABANICO A-6 | FAN WASHER A-6 | 4 | 4 | | | |
| | Q012042000 | TORNILLO EXAGONAL M-6X15 | HEXAGONAL SCREW M-6x15 | 4 | 4 | | | |
| 6 | X380307000 | SOPORTE CAJA IZQUIERDO | LEFT BOX SUPPORT | 1 | 1 | | | |
| S/Nº | X380308000 | SOPORTE CAJA DERECHO | RIGHT BOX SUPPORT | 1 | 1 | | | |
| | Q221343000 | REMACHE EXAGONAL M-6 | HEXAGONAL RIVET M-6 | 6 | 6 | | | |
| 7 | X380306000 | SOPORTE BISAGRA INFERIOR | LOWER HINGE SUPPORT | 1 | - | | | |
| 7 | X390304000 | SOPORTE BISAGRA INFERIOR | LOWER HINGE SUPPORT | - | 1 | | | |
| 8 | X380303000 | BASE PEDESTAL | PEDESTAL BASE | 1 | - | | | |
| 8 | X390302000 | BASE PEDESTAL | PEDESTAL BASE | - | 1 | | | |
| | Q151301000 | TORNILLO ALOMADO | CURVED SCREW | 6 | 6 | | | |

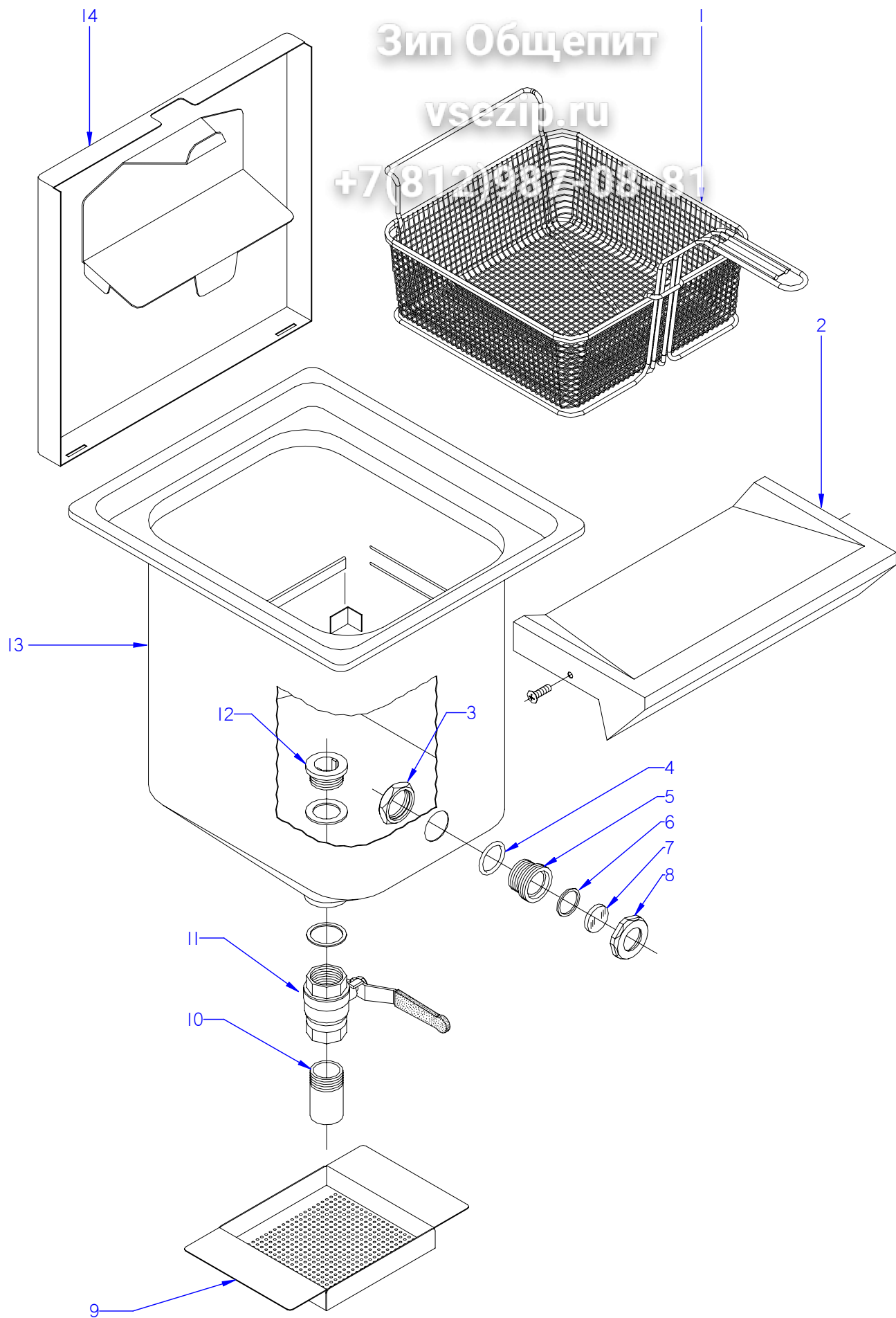
Зип Общежит

| MOD. | FREIDORAS / FRYERS | ZONA / ZONE | MUEBLE / FITTING | | | | | |
|------|--------------------|---------------------------|------------------------------|-------|-------|--|--|--|
| ITEM | CODIGO CODE | DENOMINACION | NAME | FE-18 | FE-25 | | | |
| 9 | Z200107000 | PATA REGULABLE | ADJUSTABLE LEG | 4 | 4 | | | |
| | Q221345000 | REMACHE EXAGONAL M-10 | HEXAGONAL RIVET M-10 | 4 | 4 | | | |
| | Q419005000 | REMACHE TUBULAR Ø 4X8 | TUBULAR RIVET Ø 4X8 | 12 | 12 | | | |
| 10 | X380310000 | SOPORTE PATA | LEG SUPPORT | 4 | 4 | | | |
| 11 | X380301000 | CUERPO | BODY | 1 | - | | | |
| 11 | X390301000 | CUERPO | BODY | - | 1 | | | |
| 12 | 3673700000 | PERFIL GOMA GRIS 12X6X470 | GREY RUBBER PROFILE 12X6X470 | 1 | 1 | | | |
| | Q012042000 | TORNILLO EXAGONAL M-6X15 | HEXAGONAL SCREW M-6x15 | 6 | 6 | | | |
| | Q242040000 | ARANDELA ABANICO A-6 | FAN WASHER A-6 | 6 | 6 | | | |
| 13 | X380302000 | ESCUADRA APOYO CUBA | VAT SUPPORT BRACKET | 4 | 4 | | | |
| | Q419005000 | REMACHE TUBULAR Ø 4X8 | TUBULAR RIVET Ø 4X8 | 8 | 8 | | | |
| | Q012042000 | TORNILLO EXAGONAL M-6X15 | HEXAGONAL SCREW M-6x15 | 6 | 6 | | | |
| | Q242040000 | ARANDELA ABANICO A-6 | FAN WASHER A-6 | 6 | 6 | | | |
| | Q221343000 | REMACHE EXAGONAL M-6 | HEXAGONAL RIVET M-6 | 6 | 6 | | | |
| 14 | X352802000 | SOPORTE TAPA | LID SUPPORT | 2 | 2 | | | |
| 15 | X380304000 | PANEL FRONTAL SUPERIOR | UPPER FRONT PANEL | 1 | - | | | |
| 15 | X390303000 | PANEL FRONTAL SUPERIOR | UPPER FRONT PANEL | - | 1 | | | |
| | Q419005000 | REMACHE TUBULAR Ø 4X8 | TUBULAR RIVET Ø 4X8 | 2 | 2 | | | |
| | | | | | | | | |
| | | | | | | | | |
| | | | | | | | | |
| | | | | | | | | |
| | | | | | | | | |
| | | | | | | | | |
| | | | | | | | | |
| | | | | | | | | |
| | | | | | | | | |
| | | | | | | | | |
| | | | | | | | | |
| | | | | | | | | |
| | | | | | | | | |
| | | | | | | | | |
| | | | | | | | | |
| | | | | | | | | |
| | | | | | | | | |
| | | | | | | | | |
| | | | | | | | | |
| | | | | | | | | |

Зип Общепит

vsezip.ru

+7(812)987-08-81



ITEM MARCADO EN COLOR = REPUESTO RECOMENDADO
COLOURED ITEM = RECOMMENDED SPARE PART

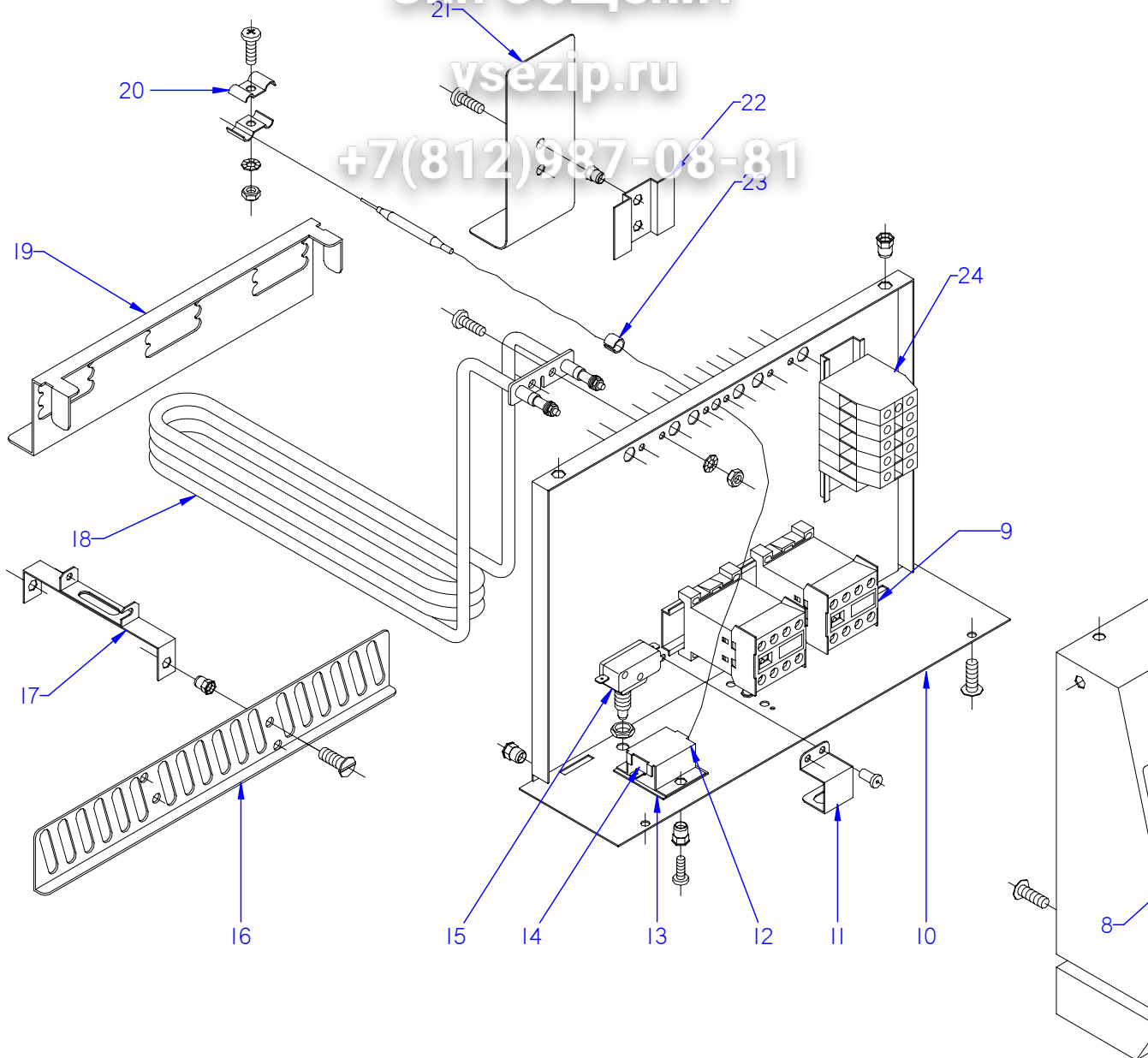
| | | | | | | |
|---------|--------------------|---------|-------------------------|-------------|--------|---------------------------------------|
| N plano | Firma | Fecha | Aparato | CUBA / TANK | Lamina | Fagor Industrial S.Coop. FAGOR |
| C-2669 | <i>[Signature]</i> | 2010-06 | FREIDORAS FE-18 / FE-25 | | 2 | Oñate |

| MOD. | | FREIDORAS / FRYERS | ZONA / ZONE | CUBA / TANK | | | | |
|------|-------------|-----------------------------|----------------------------|-------------|-------|--|--|--|
| ITEM | CODIGO CODE | DENOMINACION | NAME | FE-18 | FE-25 | | | |
| 1 | X386503000 | CESTILLO FE-18 | BASKET FE-18 | 1 | - | | | |
| 1 | X396503000 | CESTILLO 25 LITROS | BASKET 25 LITRES | - | 1 | | | |
| 1 | X399902000 | CESTILLO 25 LITROS | BASKET 25 LITRES | - | 2 | | | |
| 2 | X382804000 | ENCIMERA FRONTAL | FRONT WORKTOP | 1 | - | | | |
| 2 | X392806000 | ENCIMERA FRONTAL FE-25 | FRONT WORKTOP FE-25 | - | 1 | | | |
| | Q152004000 | TORNILLO APLASTADO M-5X13 | FLAT SCREW M-5x13 | 2 | 2 | | | |
| 3 | Q223014000 | TUERCA EXAGONAL 1" | HEXAGONAL NUT 1" | 1 | 1 | | | |
| 4 | Q307000000 | JUNTA TORICA | O-RING | 1 | 1 | | | |
| 5 | 9294500000 | PORTAMIRILLA | INSPECTION WINDOW HOLDER | 1 | 1 | | | |
| 6 | Q307029000 | JUNTA Ø31XØ26,5X2 | SEAL Ø31XØ26.5X2 | 1 | 1 | | | |
| 7 | 9294600000 | MIRILLA CRISTAL | INSPECTION WINDOW | 1 | 1 | | | |
| 8 | 9294400000 | TUERCA CIERRE | LOCKING NUT | 1 | 1 | | | |
| 9 | X166510000 | FILTRO DE ACEITE | OIL FILTER | 1 | 1 | | | |
| 10 | X396105000 | TUBO DE EVACUACION | DRAINAGE PIPE | 1 | 1 | | | |
| 11 | X036107000 | VALVULA ESFERA PASO TOTAL 1 | SPHERICAL VALVE TOTAL PASS | 1 | 1 | | | |
| | Q306046000 | ARANDELA FIBRA ROJA | RED FIBRE WASHER | 1 | 1 | | | |
| 12 | 9614900000 | DESAGÜE 1" | DRAINAGE 1" | 1 | 1 | | | |
| | Q300047000 | JUNTA DESAGÜE Ø42XØ31X2 | DRAINAGE SEAL Ø42XØ31X2 | 1 | 1 | | | |
| 13 | X386100000 | CUBA COMPLETA FE-18 | COMPLETE TUB FE-18 | 1 | - | | | |
| 13 | X396100000 | CUBA COMPLETA FE-25 | COMPLETE TUB FE-25 | - | 1 | | | |
| 14 | X382800000 | TAPA COMPLETA | COMPLETE COVER | 1 | - | | | |
| 14 | X392800000 | TAPA COMPLETA | COMPLETE COVER | - | 1 | | | |
| | | | | | | | | |
| | | | | | | | | |
| | | | | | | | | |
| | | | | | | | | |
| | | | | | | | | |
| | | | | | | | | |
| | | | | | | | | |
| | | | | | | | | |
| | | | | | | | | |
| | | | | | | | | |

Зип Общепит

vsezip.ru

+7(812)987-08-81



ITEM MARCADO EN COLOR = REPUESTO RECOMENDADO
COLOURED ITEM = RECOMMENDED SPARE PART

| | | | | | |
|---------|--------------------|---------|--|--------|---------------------------|
| N plano | Firma | Fecha | Aparato | Lamina | Fagor Industrial S. Coop. |
| C-2670 | <i>(Signature)</i> | 2010-06 | PARTE FUNCIONAL ELECTRICA / ELECTRICS FUNCTIONAL PART FREIDORAS FE-18 / FE-25 | 3 | Onate |



| MOD. | | FREIDORAS / FRYERS | | ZONA / ZONE | | PARTE FUNCIONAL ELECTRICA ELECTRICS FUNCTIONAL PART | | | |
|------|----------------|-------------------------------|-------------------------------|-------------|-------|--|--|--|--|
| ITEM | CODIGO CODE | DENOMINACION | NAME | FE-18 | FE-25 | | | | |
| 1 | X373401000 | PANEL FRONTAL FE-8 /9 /18 | FRONT PANEL FE-8 /9 /18 | 1 | - | | | | |
| 1 | X392812000 | PANEL FRONTAL FE-25 | FRONT PANEL FE-25 | - | 1 | | | | |
| | Q152004000 | TORNILLO APLASTADO M-5X13 | FLAT SCREW M-5x13 | 6 | 6 | | | | |
| | Q221342000 | REMACHE EXAGONAL M-5 | HEXAGONAL RIVET M-5 | 6 | 6 | | | | |
| 2 | X382805000 | EMBELLECEDOR ADHESIVO | ADHESIVE TRIM | 1 | - | | | | |
| 2 | X392810000 | EMBELLECEDOR ADHESIVO | ADHESIVE TRIM | - | 1 | | | | |
| 3 | X033000000 | TERMOSTATO 60 - 200° C. | THERMOSTAT 60 - 200° C. | 1 | 1 | | | | |
| 4 | R663062000 | BOTON DE MANDO Ø6 | CONTROL BUTTON Ø6 | 1 | 1 | | | | |
| 5 | X380505000 | EMBELLECEDOR FE-18 | TRIM FE-18 | 1 | - | | | | |
| 5 | X390505000 | EMBELLECEDOR FE-25 | TRIM FE-25 | - | 1 | | | | |
| 6 | R693055000 | PILOTO VERDE | GREEN PILOT LIGHT | 1 | 1 | | | | |
| 6 | 12047390 | PILOTO VERDE 230V AC 8KW 16MM | GREEN PILOT 230V AC 8KW 16M | 1 | 1 | | | | |
| 7 | R693056000 | PILOTO AMBAR | AMBAR PILOT | 1 | 1 | | | | |
| 7 | 12024669 | PILOTO AMBAR Ø18 | AMBER PILOT Ø18 | 1 | 1 | | | | |
| 8 | Z853001000 | INTERRUPTOR GENERAL | POWER SWITCH | 1 | 1 | | | | |
| 9 | Z203050000 | CONTAC. SIRIUS 3R 230V.50-60 | CONTACT. SIRIUS 3R 230V.50-60 | 2 | 2 | | | | |
| | R663055000 | GUIA CONTACTOR L=120 | CONTACTOR GUIDE L=120 | 1 | 1 | | | | |
| | Q419005000 | REMACHE TUBULAR Ø4X8 | TUBULAR RIVET Ø4X8 | 2 | 2 | | | | |
| 10 | X383001000 | CUADRO ELECTRICO | SWITCHBOARD | 1 | - | | | | |
| 10 | X393012000 | CUADRO ELECTRICO | SWITCHBOARD | - | 1 | | | | |
| 11 | X363020000 | SOPORTE MICRO | MICRO BRACKET | 1 | 1 | | | | |
| 11 | 12043539 | SOPORTE MICRO | MICRO BRACKET | 1 | 1 | | | | |
| | Q419005000 | REMACHE TUBULAR Ø4X8 | TUBULAR RIVET Ø4X8 | 2 | 2 | | | | |
| 12 | X353007000 | SOPORTE TERMOST. SEGURIDAD | THERMOSTAT SUPPORT SAFETY | 1 | 1 | | | | |
| | Q221341000 | REMACHE EXAGONAL M-4 | HEXAGONAL RIVET M-4 | 2 | 2 | | | | |
| | Q032021000 | TORNILLO ALOMADO M-4X10 | CURVED SCREW M-4x10 | 2 | 2 | | | | |
| 13 | X353015000 | PLACA AISLANTE | INSULATION PLATE | 1 | 1 | | | | |
| 14 | X033001000 | TERMOSTATO DE SEGURIDAD | SAFETY THERMOSTAT | 1 | 1 | | | | |
| 14 | 12044749 | TERMOSTATO DE SEGURIDAD | SAFETY THERMOSTAT | 1 | 1 | | | | |
| 15 | X343015000 | MICRORRUPTOR 32280001 | MICROSWITCH 32280001 | 1 | 1 | | | | |
| 15 | X022138000 | MICRORRUPTOR 250VAC 16A VDE | MICROSWITCH 250V AC16A VDE | 1 | 1 | | | | |

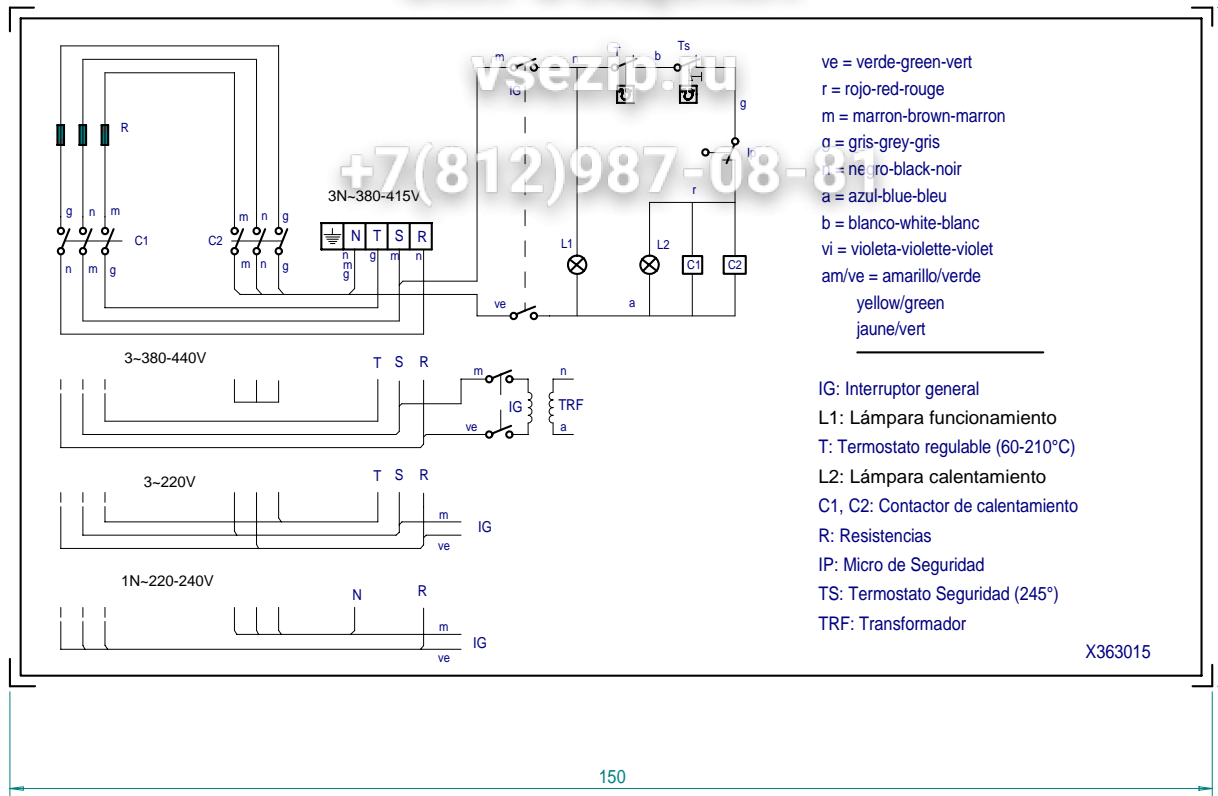
| MOD. | | FREIDORAS / FRYERS | | ZONA / ZONE | | PARTE FUNCIONAL ELECTRICA ELECTRICS FUNCTIONAL PART | | | |
|------|----------------|-----------------------------|---------------------------|-------------|-------|--|--|--|--|
| ITEM | CODIGO CODE | DENOMINACION | NAME | FE-18 | FE-25 | | | | |
| 16 | X393013000 | SEPARADOR RESISTENCIAS | RESISTOR DIVIDER | - | 2 | | | | |
| | Q152004000 | TORNILLO APLASTADO M-5X13 | FLAT SCREW M-5x13 | - | 4 | | | | |
| 17 | X393014000 | ESCUADRA SOPORTE BULBO | BULB SUPPORT BRACKET | - | 2 | | | | |
| | Q221342000 | REMACHE EXAGONAL M-5 | HEXAGONAL RIVET M-5 | - | 4 | | | | |
| 18 | X383020000 | RESISTENCIA 3000 W.,230 V. | RESISTOR 3000 V., 230 V | 3 | - | | | | |
| 18 | X393021000 | RESISTENCIA 4250 W.,230 V. | RESISTOR 4250 V., 230 V | - | 3 | | | | |
| | Q162020000 | TUERCA EXAGONAL M-4 | HEXAGONAL NUT M-4 | 6 | 6 | | | | |
| | Q242020000 | ARANDELA ABANICO A-4 | FAN WASHER A-4 | 6 | 6 | | | | |
| | Q032021000 | TORNILLO ALOMADO M-4X10 | CURVED SCREW M-4x10 | 6 | 6 | | | | |
| 19 | X363030000 | SEPARADOR RESISTENCIAS | RESISTOR DIVIDER | 1 | 1 | | | | |
| 20 | X033011000 | BRIDA SUJECION BULBO | BULB FASTENING FLANGE | 4 | 4 | | | | |
| | Q162020000 | TUERCA EXAGONAL M-4 | HEXAGONAL NUT M-4 | 2 | 2 | | | | |
| | Q242020000 | ARANDELA ABANICO A-4 | FAN WASHER A-4 | 2 | 2 | | | | |
| | Q032021000 | TORNILLO ALOMADO M-4X10 | CURVED SCREW M-4x10 | 2 | 2 | | | | |
| 21 | X353008000 | PROTECTOR RESISTENCIAS | RESISTOR PROTECTOR | 1 | - | | | | |
| 21 | X393016000 | PROTECTOR RESISTENCIAS | RESISTOR PROTECTOR | - | 1 | | | | |
| | Q032021000 | TORNILLO ALOMADO M-4X10 | CURVED SCREW M-4x10 | 2 | 2 | | | | |
| 22 | X353010000 | AMARRE PROTECTOR | PROTECTOR FASTENING | 1 | 1 | | | | |
| | Q221341000 | REMACHE EXAGONAL M-4 | HEXAGONAL RIVET M-4 | 2 | 2 | | | | |
| 23 | X033014000 | ANILLO 10288 | RING 10288 | 4 | 4 | | | | |
| 24 | P453026000 | BORNE TIERRA AMARILLO-VERDE | YELLOW-GREEN EARTH TERMIN | 1 | 1 | | | | |
| | P453025000 | BORNE FASES RST GRIS | GREY RST PHASE TERMINAL | 4 | 4 | | | | |
| | Z683067000 | TOPE BORNES | TERMINAL BUFFER | 1 | 1 | | | | |
| | R663055000 | GUIA CONTACTOR L=120 | CONTACTOR GUIDE L=120 | 1 | 1 | | | | |
| S/Nº | 12040852 | BRIDA SUJECCION CAPILAR FE | HAIR FIXING FLANGE FE | 2 | 2 | | | | |
| | | | | | | | | | |
| | | | | | | | | | |
| | | | | | | | | | |
| | | | | | | | | | |
| | | | | | | | | | |

| | | | |
|-------------|---------------------------|--------------------|------------------------------|
| MOD. | FREIDORAS / FRYERS | ZONA / ZONE | ARIOS / MISCELLANEOUS |
|-------------|---------------------------|--------------------|------------------------------|

| ITEM | CODIGO CODE | DENOMINACION | NAME | FE-18 | FE-25 | | | |
|------|-------------|--------------------------------|----------------------------|-------|-------|--|--|--|
| | X386502000 | FOLLETO DE INSTRUCCIONES | INSTRUCTION LEAFLET | 1 | 1 | | | |
| | X363015000 | ESQUEMA FE-6-8-18-25 | DIAGRAM FE-6-8-18-25 | 1 | 1 | | | |
| | X383003000 | ESQUEMA ELECTRICO MONTAJE | ELECTRICAL ASSEMBLY DIAGRA | 1 | 1 | | | |
| | X373007000 | CABLEADO PORTAMANDOS | CONTROL HOLDER WIRING | 1 | 1 | | | |
| | X383007000 | CABLEADO REGLETA CONTACT. | CONTACT. CONTROL WIRING | 2 | 2 | | | |
| | X393007000 | CABLEADO CONTACTOR-RESIST | RESIST.- CONTACTOR WIRING | 1 | 1 | | | |
| | X363017000 | CABL. MANGUERA FE-18 (3x220V.) | HOSE CABLE FE-18 (3x220V.) | 1 | - | | | |
| | X383002000 | MANGUERA FE-18-25 (1x220V.) | HOSE FE-18-25 (1x220V.) | 1 | 1 | | | |
| | X393008000 | CABLE MANGUERA FE-25 (3x220V.) | HOSE CABLE FE-25 (3x220 V) | - | 1 | | | |
| | | | | | | | | |
| | | | | | | | | |
| | | | | | | | | |
| | | | | | | | | |
| | | | | | | | | |
| | | | | | | | | |
| | | | | | | | | |
| | | | | | | | | |
| | | | | | | | | |
| | | | | | | | | |
| | | | | | | | | |
| | | | | | | | | |
| | | | | | | | | |
| | | | | | | | | |
| | | | | | | | | |
| | | | | | | | | |
| | | | | | | | | |
| | | | | | | | | |
| | | | | | | | | |
| | | | | | | | | |
| | | | | | | | | |
| | | | | | | | | |

| MOD. | | FREIDORAS / FRYERS | ZONA / ZONE | REPUESTOS RECOMENDADOS RECOMMENDED SPARE PART | | | | | |
|------|----------------|-------------------------------|------------------------------|--|-------|--|--|--|--|
| ITEM | CODIGO CODE | DENOMINACION | NAME | FE-18 | FE-25 | | | | |
| 4 | 12040884 | CUERPO BISAGRA | HINGE | 2 | 2 | | | | |
| S/Nº | 12040886 | BISAGRA L | L HINGE | 2 | 2 | | | | |
| 4 | Q307000000 | JUNTA TORICA | O-RING | 1 | 1 | | | | |
| 6 | Q307029000 | JUNTA Ø31XØ26,5X2 | SEAL Ø31XØ26.5X2 | 1 | 1 | | | | |
| 7 | 9294600000 | MIRILLA CRISTAL | INSPECTION WINDOW | 1 | 1 | | | | |
| 11 | X036107000 | VALVULA ESFERA PASO TOTAL 1 | SPHERICAL VALVE TOTAL PASS | 1 | 1 | | | | |
| 12 | 9614900000 | DESAGÜE 1" | DRAINAGE 1" | 1 | 1 | | | | |
| 3 | X0330000000 | TERMOSTATO 60 - 200º C. | THERMOSTAT 60 - 200º C. | 1 | 1 | | | | |
| 6 | 12047390 | PILOTO VERDE 230V AC 8KW 16MM | GREEN PILOT 230V AC 8KW 16MM | 1 | 1 | | | | |
| 7 | 12024669 | PILOTO AMBAR Ø18 | AMBER PILOT Ø18 | 1 | 1 | | | | |
| 8 | Z853001000 | INTERRUPTOR GENERAL | POWER SWITCH | 1 | 1 | | | | |
| 14 | 12044749 | TERMOSTATO DE SEGURIDAD | SAFETY THERMOSTAT | 1 | 1 | | | | |
| 15 | X022138000 | MICRORRUPTOR 250VAC 16A VDE | MICROSWITCH 250V AC16A VDE | 1 | 1 | | | | |
| 18 | X383020000 | RESISTENCIA 3000 W.,230 V. | RESISTOR 3000 V., 230 V | 3 | - | | | | |
| 18 | X393021000 | RESISTENCIA 4250 W.,230 V. | RESISTOR 4250 V., 230 V | - | 3 | | | | |
| | | | | | | | | | |
| | | | | | | | | | |
| | | | | | | | | | |
| | | | | | | | | | |
| | | | | | | | | | |
| | | | | | | | | | |
| | | | | | | | | | |
| | | | | | | | | | |
| | | | | | | | | | |
| | | | | | | | | | |
| | | | | | | | | | |
| | | | | | | | | | |
| | | | | | | | | | |
| | | | | | | | | | |
| | | | | | | | | | |

Зип Общепит



NOTA

- LAS INSCRIPCIONES RESISTIRAN SIN MODIFICACION APRECIABLE, EL FROTAMIENTO DURANTE 15 seg. DE UN ALGODON EMPAPADO EN GASOLINA.

| | | |
|---|---|---------|
| | FE-710, FE-18, FE-25, FE-71/15, FE-91/20 | |
| | Esquema teorico adhesivo FE-6, FE-8 | |
| Nº | Pieza | |
| Nº | Modificacion | |
| ① | Eliminar indicacion temperatura y introducir 1N-50Hz 220V | |
| ② | Cambiar indicacion de tensiones | |
| ③ | Modifi.general(pasar a fabric.interior) | |
| | Firma | Fecha |
| Dibujado | JON | 92-1-24 |
| Proyectado | | |
| Comprobado | <i>[Signature]</i> | |
| Escala | | |
| Plano hau ez daiteke erabil ez berizta gure | | |

Зим Общепит

| RESISTENCIA | FE-18 | FE-25 |
|-------------|----------|----------|
| Potencia | 3000 W | 4250 W |
| 230/400V | X-383020 | X-393021 |

vs@zip.ru

+7(812)987-08-81

X-353014
Tubo extensible
L=50mm

X-393007

X-383007

Micro seguridad
R-253038

Limitador 245°C
X-033001

X-373007

Interruptor
General
Z-853001

Piloto
Ambar
Z-203005

Piloto
Verde
Z-203004

Termostato 60-215°C
X-033000

Bornes

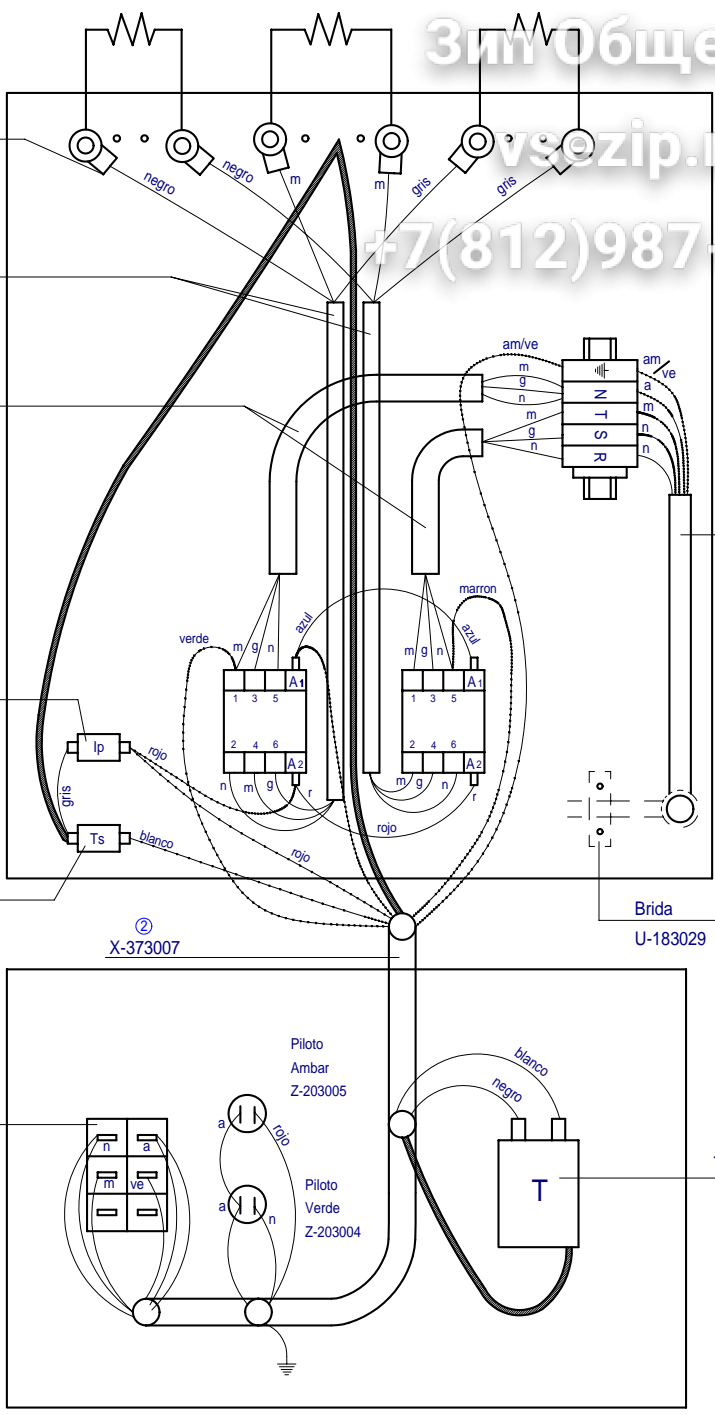
- X-183012
- X-183013
- X-183014
- X-183015
- X-183016
- X-183017
- X-183018
- X-183019
- X-183020


Manguera

- FE-18 X-363017 5x2.5mm ②
- FE-25 X-393008 5x6 mm ②

Contactores
Z-203050 ②

Brida
U-183029



| | | |
|---|---------------|---------|
| Esquema montaje FE-18 FE-25 | | |
| Nº | Pieza | |
| Nº | Modificacion | |
| ① | Cambio varios | |
| ② | Cambio varios | |
| | | |
| | | |
| Firma | | Fecha |
| Dibujado JON | | 91-12-4 |
| Proyectado | | |
| Comprobado | | |
| Escala | | |
|  | | |
| <small>Plano hau ez daiteke erabili ez berziza gure</small> | | |