

Зип Общепит

vsezip.ru

+7(812)987-08-81

**MESAS GASTRONORM**

**DE**

**REFRIGERACIÓN**

**RECAMBIOS  
MESAS FRÍAS**  
revisión 01-03-2003



FAGOFRI S.A. MODELOS

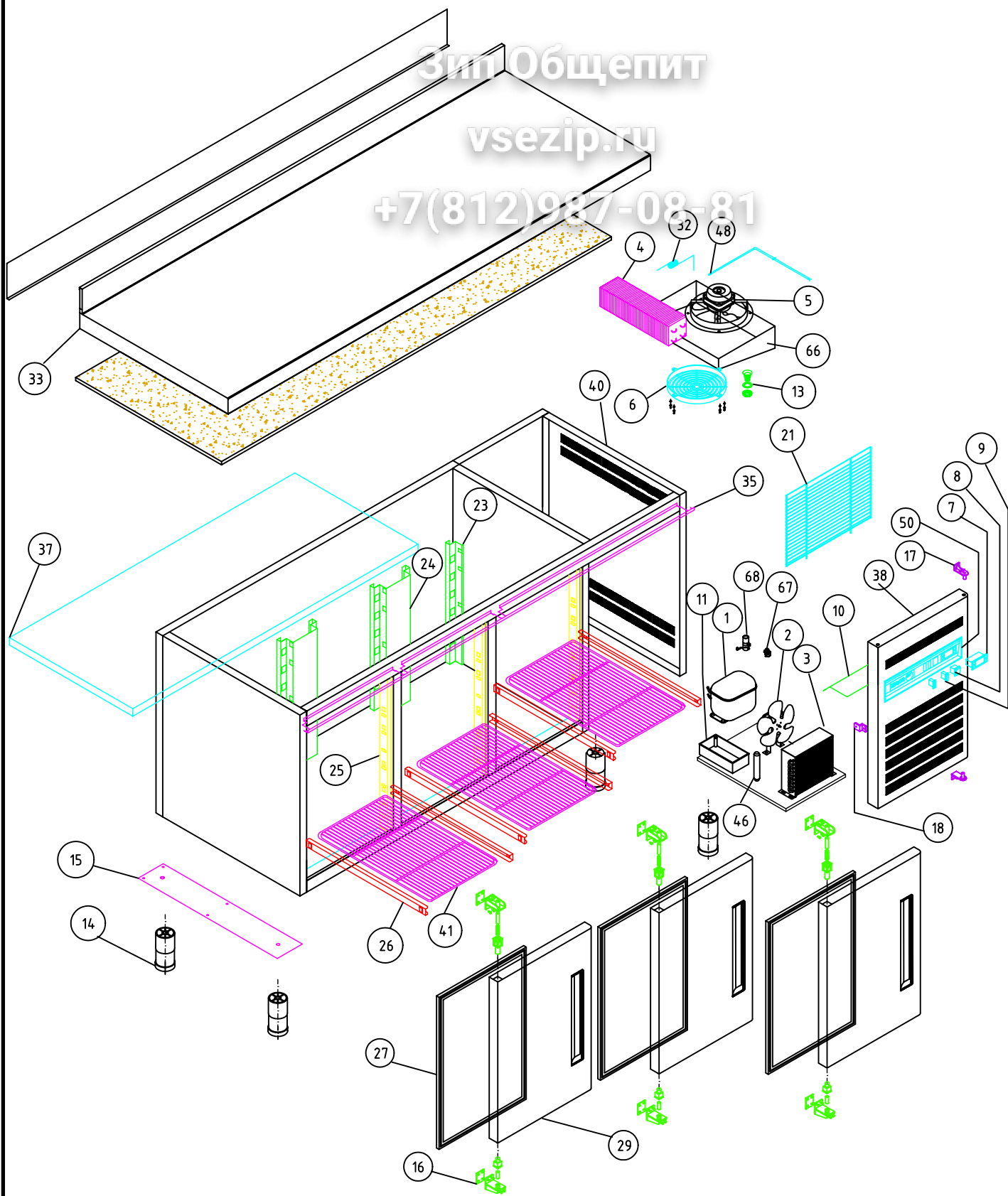
|         |         |         |         |           |           |           |           |
|---------|---------|---------|---------|-----------|-----------|-----------|-----------|
| MFP-137 | MFP-180 | MFP-225 | MFP-270 | MFP-102-R | MFP-147-R | MFP-192-R | MFP-237-R |
|---------|---------|---------|---------|-----------|-----------|-----------|-----------|

| Nº | CÓDIGO     | DESCRIPCIÓN                              | GASTRO |    |    |    | GASTRO |    |    |    |
|----|------------|--|--------|----|----|----|--------|----|----|----|
|    |            |  |        |    |    |    |        |    |    |    |
| 1  | 6021010007 | COMPR.FR-8,5 - G R134A                   |        | 1  | 1  |    |        |    |    |    |
| 1  | 6021010015 | COMPRESOR GP14-G                         |        |    |    |    | 1      |    |    |    |
| 1  | 6021010004 | COMPR.FR-7,5-G R134A                     | 1      |    |    |    |        |    |    |    |
| 2  | 6021050002 | VENTILADOR 10W PATA PALA 220V            | 1      | 1  | 1  | 1  |        |    |    |    |
| 3  | 6029020003 | CONDENSADOR 9x3 FAGC0021                 |        |    |    | 1  |        |    |    |    |
| 3  | 6029020002 | CONDENSADOR 9x2                          | 1      | 1  | 1  |    |        |    |    |    |
| 4  | M129010004 | BAT.MFP-270 8T4R330A4SC/TU(PIN           |        |    |    | 1  |        |    |    | 1  |
| 4  | M129010002 | BAT.MFP135 5T4R330A4SC/TUB(PIN           | 1      | 1  | 1  |    | 1      | 1  | 1  |    |
| 5  | 6021050001 | VENTIL.EVAPOR.5W ARO/TIRO FORZ           | 1      | 1  | 1  | 1  | 1      | 1  | 1  | 1  |
| 6  | 6003010035 | REJILLA PROTECCION VENTILADOR            | 1      | 1  | 1  | 1  | 1      | 1  | 1  | 1  |
| 7  | 6021350015 | TERMOSTATO TERM.REFRIG ID 961F           | 1      | 1  | 1  | 1  | 1      | 1  | 1  | 1  |
| 8  | 6021130001 | INTERRUPTOR BIPOL.AMBAR.ON/OFF           | 1      | 1  | 1  | 1  | 1      | 1  | 1  | 1  |
| 9  | 6021130010 | PILOTO RECTAN.AMBAR SEÑAL LUM.           | 1      | 1  | 1  | 1  | 1      | 1  | 1  | 1  |
| 10 | M109050157 | CHAPA PROT.MANDOS MESAS FRIAS            | 1      | 1  | 1  | 1  |        |    |    |    |
| 11 | 6003010023 | BANDEJA EVAPORACION AUTOMÁTICA           | 1      | 1  | 1  | 1  |        |    |    |    |
| 13 | 6003010034 | DESAGÜE SAN MIGUEL                       | 1      | 1  | 1  | 1  | 1      | 1  | 1  | 1  |
| 14 | 6007050015 | PATA REGUL. 50X95 BAJOS                  | 4      | 4  | 4  | 4  | 4      | 4  | 4  | 4  |
| 15 | M161250002 | BASE PATAS MFP 600X100 PINTAD            | 1      | 1  | 1  | 1  | 1      | 1  | 1  | 1  |
| 16 | V169090001 | BISAGRA SISTEMA GIRO A IZDA              | 2      | 3  | 4  | 5  | 2      | 3  | 4  | 5  |
| 17 | 6003010048 | SOPORTE PUERTA REJILLA                   | 2      | 2  | 2  | 2  |        |    |    |    |
| 18 | 6003010032 | ESCUADRA AMARRE REJILLA                  | 1      | 1  | 1  | 1  |        |    |    |    |
| 21 | 6003010181 | REJ.RESP.GRUPO 387X280POLICARB           | 1      | 1  | 1  | 1  |        |    |    |    |
| 23 | M109050122 | CREMALL.LAT.POST.MFP DCHA.               | 1      | 1  | 1  | 1  | 1      | 1  | 1  | 1  |
| 23 | M109050104 | CREMALL.LAT.POST.MFP IZDA.               | 1      | 1  | 1  | 1  | 1      | 1  | 1  | 1  |
| 24 | M109050105 | CREMALLERA CENTRAL MFP                   | 1      | 2  | 3  | 4  | 1      | 2  | 3  | 4  |
| 25 | M109050153 | CREMALLERA MFP-MSP 576X66 MM             | 4      | 6  | 8  | 10 | 4      | 6  | 8  | 10 |
| 26 | 6033050011 | GUIA BAJO GN 1/1 L=549 MM                | 8      | 12 | 16 | 20 | 8      | 12 | 16 | 20 |
| 27 | 6045010006 | BURLETE 400X605 MFP GASTRO               | 2      | 3  | 4  | 5  | 2      | 3  | 4  | 5  |
| 29 | M109010331 | PUERTA MFP R-7 AP IZDA                   | 2      | 3  | 4  | 5  | 2      | 3  | 4  | 5  |
| 32 | V107020005 | CAPILAR 1.25x2100                        |        |    |    | 1  |        |    |    |    |
| 32 | M107020001 | CAPILAR 1x3300                           | 1      | 1  | 1  |    |        |    |    |    |
| 33 | M181010014 | ENCIMERA MFP270                          |        |    |    | 1  |        |    |    |    |
| 33 | M181010013 | ENCIMERA MFP225                          |        |    | 1  |    |        |    |    |    |
| 33 | M181010011 | ENCIMERA MFP135                          | 1      |    |    |    |        |    |    |    |
| 33 | M181010015 | ENCIMERA MFP102                          |        |    |    |    | 1      |    |    |    |
| 33 | M181010012 | ENCIMERA MFP180                          |        | 1  |    |    |        |    |    |    |
| 33 | M181010018 | ENCIMERA MFP-237                         |        |    |    |    |        |    |    | 1  |
| 33 | M181010017 | ENCIMERA MFP192                          |        |    |    |    |        |    | 1  |    |
| 33 | M181010016 | ENCIMERA MFP147                          |        |    |    |    |        | 1  |    |    |
| 35 | M109250003 | PROTECTOR ENCIMERA 135                   | 1      |    |    |    | 1      |    |    |    |
| 35 | M109250004 | PROTECTOR ENCIM. 180                     |        | 1  |    |    |        | 1  |    |    |
| 35 | M109250034 | PROTECT. ENCIM. 225                      |        |    | 1  | 1  |        |    | 1  | 1  |
| 35 | M109250036 | PROTECT. ENCIM. SUPLE. 270               |        |    |    | 1  |        |    |    | 1  |
| 36 | 6001050032 | AGLOM.2690X670X13 ENC. MFP-270           |        |    |    | 1  |        |    |    | 1  |
| 36 | 6001050030 | AGLOM.1340X670X13 ENC.MFP-135            | 1      |    |    |    | 1      |    |    |    |
| 36 | 6001050020 | AGLOM.2240X670X13 ENC. MFP-225           |        |    | 1  |    |        |    | 1  |    |
| 36 | 6001050019 | AGLOM.1790X670X13 ENC. MFP-180           |        | 1  |    |    |        | 1  |    |    |
| 37 | 6013050007 | PL.POLIEST.1310X566X30 TIPO IV           |        | 1  |    | 1  |        | 1  |    | 1  |
| 37 | 6013050005 | PL.POLIEST.860X566X30 MM                 | 1      |    | 2  |    | 1      |    | 2  |    |
| 38 | M109010334 | REJILLA CUADRO ABS GRIS MSP              | 1      | 1  | 1  | 1  |        |    |    |    |
| 38 | M109010335 | CUADRO DE MANDOS MSN-R R7                |        |    |    |    | 1      | 1  | 1  | 1  |
| 40 | M109010150 | COST EXT LAD GRUP MFP-R                  |        |    |    |    | 1      | 1  | 1  | 1  |
| 40 | M109010042 | COST EXT LAD GRUP MFP                    | 1      | 1  | 1  | 1  |        |    |    |    |
| 41 | 6027010003 | PARRILLA GN1/1 530x325                   | 2      | 3  | 4  | 5  | 2      | 3  | 4  | 5  |
| 46 | 6047010003 | FILTRO DESHIDRAT.40GR 1/4X1/4            | 1      | 1  | 1  | 1  |        |    |    |    |
| 48 | 6021350013 | SONDA TERMOST.REF NTC 15KOhm             | 1      | 1  | 1  | 1  | 1      | 1  | 1  | 1  |
| 50 | 6003010105 | CUADRO ABS GRIS                          | 1      | 1  | 1  | 1  |        |    |    |    |
| 55 | 6037050002 | SOPORTE COST.RODAP.MFP 230X600           |        |    |    |    | 1      | 1  | 1  | 1  |
| 66 | 6003050001 | GAVETA TIRO FORZADO GASTRO               | 1      | 1  | 1  | 1  | 1      | 1  | 1  | 1  |
| 67 | 6021010045 | RELE ARRANQUE COMPRESOR FR-7,5-G 6001    | 1      |    |    |    |        |    |    |    |
| 67 | 6021010017 | RELE COMPRESOR GP-14TG RF 5127           |        |    |    | 1  |        |    |    |    |
| 67 | 6021010025 | RELE ARRANQUE COMPRESOR FR-8,5G          |        | 1  | 1  |    |        |    |    |    |
| 68 | 6021010041 | CONDENS.ARRANQ GL-TG 47 microF           |        |    |    | 1  |        |    |    |    |
| 68 | 6021010037 | CONDENSADOR ARRANQUE FR 17U5015 80microF | 1      | 1  | 1  |    |        |    |    |    |

Зип Ощепит

vsezip.ru

+7(812)987-08-81



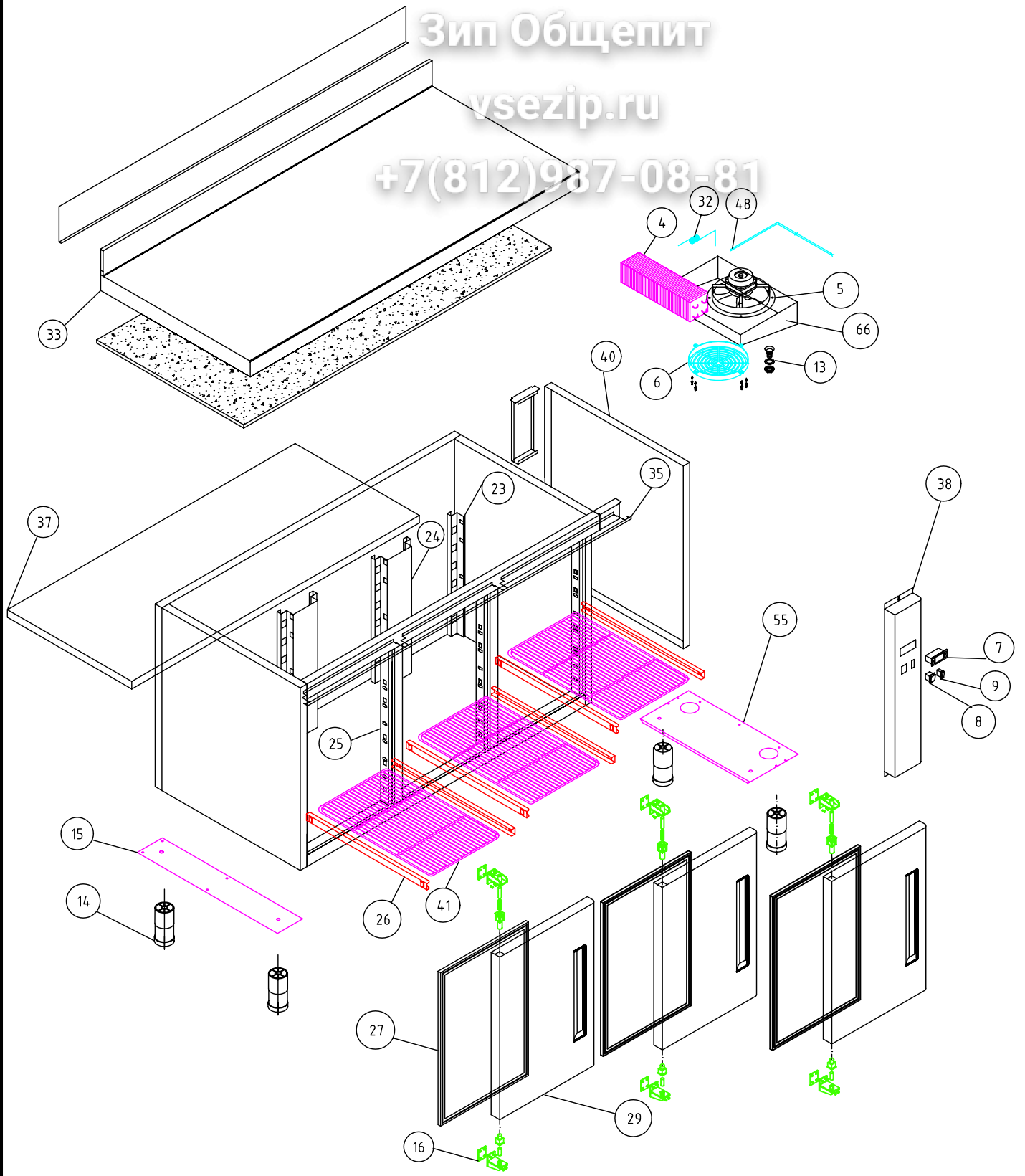
|                                 |                    |       |       |                                   |  |        |  |                                  |  |
|---------------------------------|--------------------|-------|-------|-----------------------------------|--|--------|--|----------------------------------|--|
| M1 MESAS FRÍAS                  |                    |       |       | COD. PIEZA:                       |  |        |  |                                  |  |
| COTAS SIN TOLERANCIA DIN 7168-f |                    |       |       | Material: <b>MATERIAL ESPESOR</b> |  |        |  |                                  |  |
|                                 |                    |       |       | Acabado: <b>ACABADO</b>           |  |        |  |                                  |  |
| ANGULAR                         | GRADO TOLERANCIA   | FINO  | MEDIO | GRUESO                            |  |        |  |                                  |  |
|                                 | HASTA 10 mm        | ±1°   |       | ±1° 30'                           |  |        |  |                                  |  |
|                                 | MÁS DE 10 A 50 mm  | ±30'  |       | ±50'                              |  |        |  |                                  |  |
|                                 | MÁS DE 50 A 120 mm | ±20'  |       | ±25'                              |  |        |  |                                  |  |
| LINEAL                          | GRADO TOLERANCIA   | FINO  | MEDIO | GRUESO                            |  |        |  |                                  |  |
|                                 | HASTA 3 mm         | ±0,05 | ±0,10 | ±0,15                             |  |        |  |                                  |  |
|                                 | MÁS DE 3 A 6 mm    | ±0,05 | ±0,10 | ±0,20                             |  |        |  |                                  |  |
|                                 | MÁS DE 6 A 30 mm   | ±0,10 | ±0,20 | ±0,50                             |  |        |  |                                  |  |
|                                 |                    |       |       | A4                                |  | Nombre |  | Fecha                            |  |
|                                 |                    |       |       | Dibujado                          |  | MJGG   |  | 3-3-03                           |  |
|                                 |                    |       |       | Modificado                        |  |        |  |                                  |  |
|                                 |                    |       |       | Escala                            |  | 1:22   |  |                                  |  |
|                                 |                    |       |       | <b>RECAMBIOS MFP</b>              |  |        |  | Código máquina:<br><b>CODIGO</b> |  |



Зип Общепит

vsezip.ru

+7(812)987-08-81



| M1 MESAS FRÍAS  |            |       |                             | COD. PIEZA: X                     |        |                   |        |                                  |        |     |         |                   |      |  |      |                    |      |  |      |                     |      |  |      |               |     |  |      |                         |  |  |  |
|---|------------|-------|-----------------------------|-----------------------------------|--------|-------------------|--------|----------------------------------|--------|-----|---------|-------------------|------|--|------|--------------------|------|--|------|---------------------|------|--|------|---------------|-----|--|------|-------------------------|--|--|--|
| COTAS SIN TOLERANCIA DIN 7168-f   |            |       |                             | Material: <b>MATERIAL ESPESOR</b> |        |                   |        |                                  |        |     |         |                   |      |  |      |                    |      |  |      |                     |      |  |      |               |     |  |      |                         |  |  |  |
| <table border="1"> <thead> <tr> <th>GRADO TOLERANCIA</th> <th>FINO</th> <th>MEDIO</th> <th>GRUESO</th> </tr> </thead> <tbody> <tr> <td>HASTA 10 mm</td> <td>±1°</td> <td></td> <td>±1° 30'</td> </tr> <tr> <td>MAS DE 10 A 50 mm</td> <td>±30'</td> <td></td> <td>±50'</td> </tr> <tr> <td>MAS DE 50 A 120 mm</td> <td>±20'</td> <td></td> <td>±25'</td> </tr> <tr> <td>MAS DE 120 A 400 mm</td> <td>±10'</td> <td></td> <td>±15'</td> </tr> <tr> <td>MAS DE 400 mm</td> <td>±5'</td> <td></td> <td>±10'</td> </tr> </tbody> </table> |            |       |                             | GRADO TOLERANCIA                  | FINO   | MEDIO             | GRUESO | HASTA 10 mm                      | ±1°    |     | ±1° 30' | MAS DE 10 A 50 mm | ±30' |  | ±50' | MAS DE 50 A 120 mm | ±20' |  | ±25' | MAS DE 120 A 400 mm | ±10' |  | ±15' | MAS DE 400 mm | ±5' |  | ±10' | Acabado: <b>ACABADO</b> |  |  |  |
| GRADO TOLERANCIA  | FINO       | MEDIO | GRUESO                      |                                   |        |                   |        |                                  |        |     |         |                   |      |  |      |                    |      |  |      |                     |      |  |      |               |     |  |      |                         |  |  |  |
| HASTA 10 mm   | ±1°        |       | ±1° 30'                     |                                   |        |                   |        |                                  |        |     |         |                   |      |  |      |                    |      |  |      |                     |      |  |      |               |     |  |      |                         |  |  |  |
| MAS DE 10 A 50 mm   | ±30'       |       | ±50'                        |                                   |        |                   |        |                                  |        |     |         |                   |      |  |      |                    |      |  |      |                     |      |  |      |               |     |  |      |                         |  |  |  |
| MAS DE 50 A 120 mm  | ±20'       |       | ±25'                        |                                   |        |                   |        |                                  |        |     |         |                   |      |  |      |                    |      |  |      |                     |      |  |      |               |     |  |      |                         |  |  |  |
| MAS DE 120 A 400 mm   | ±10'       |       | ±15'                        |                                   |        |                   |        |                                  |        |     |         |                   |      |  |      |                    |      |  |      |                     |      |  |      |               |     |  |      |                         |  |  |  |
| MAS DE 400 mm   | ±5'        |       | ±10'                        |                                   |        |                   |        |                                  |        |     |         |                   |      |  |      |                    |      |  |      |                     |      |  |      |               |     |  |      |                         |  |  |  |
| ANGULAR   | COMUN A    |       | MODELO                      | Ud.                               | MODELO | Ud.               | MODELO | Ud.                              | MODELO | Ud. |         |                   |      |  |      |                    |      |  |      |                     |      |  |      |               |     |  |      |                         |  |  |  |
|   |            |       | MFP-147-R                   | 1                                 |        |                   |        |                                  |        |     |         |                   |      |  |      |                    |      |  |      |                     |      |  |      |               |     |  |      |                         |  |  |  |
|   |            |       |                             |                                   |        |                   |        |                                  |        |     |         |                   |      |  |      |                    |      |  |      |                     |      |  |      |               |     |  |      |                         |  |  |  |
|   |            |       |                             |                                   |        |                   |        |                                  |        |     |         |                   |      |  |      |                    |      |  |      |                     |      |  |      |               |     |  |      |                         |  |  |  |
| LINEAL  | A4         |       | Nombre                      | Fecha                             |        | <br>Fagofri, s.a. |        | Código máquina:<br><b>CODIGO</b> |        |     |         |                   |      |  |      |                    |      |  |      |                     |      |  |      |               |     |  |      |                         |  |  |  |
|   | Dibujado   |       | MJGG                        | 11-4-03                           |        |                   |        |                                  |        |     |         |                   |      |  |      |                    |      |  |      |                     |      |  |      |               |     |  |      |                         |  |  |  |
|   | Modificado |       |                             |                                   |        |                   |        |                                  |        |     |         |                   |      |  |      |                    |      |  |      |                     |      |  |      |               |     |  |      |                         |  |  |  |
|   | Escala     |       | <b>RECAMBIOS MFP-REMOTA</b> |                                   |        |                   |        |                                  |        |     |         |                   |      |  |      |                    |      |  |      |                     |      |  |      |               |     |  |      |                         |  |  |  |
|   | 1:22       |       |                             |                                   |        |                   |        |                                  |        |     |         |                   |      |  |      |                    |      |  |      |                     |      |  |      |               |     |  |      |                         |  |  |  |
|   |            |       |                             |                                   |        |                   |        |                                  |        |     |         |                   |      |  |      |                    |      |  |      |                     |      |  |      |               |     |  |      |                         |  |  |  |