

Зип Общепит

vsezip.ru

---

DESPIECE TECNICO

---

+7(812)987-08-81

**Cocinas centrales  
Gas central ranges  
Fourneaux traversants  
Zentral-herde  
Cucine centrale  
Fogões centrais**

**GAMA 1000**

**Modelos:**

**CG-1502**

***Julio 2010 July***

*Revisado Julio 2013 July Revised*

**FAGOR** 

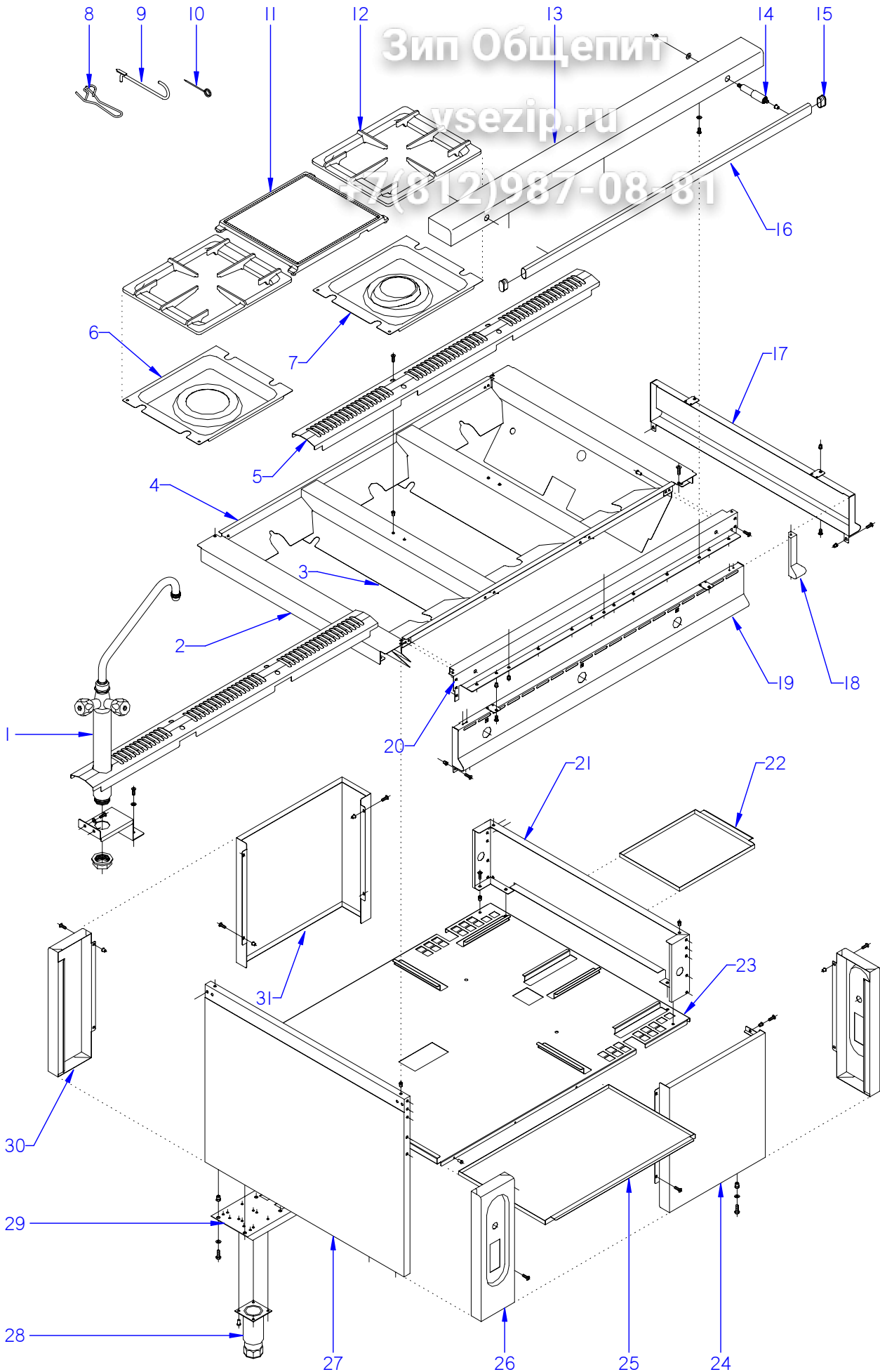
---

F A G O R I N D U S T R I A L

Зип Общепит

vsezip.ru

7(812)987-08-81



ITEM MARCADO EN COLOR = REPUESTO RECOMENDADO  
COLOURED ITEM = RECOMMENDED SPARE PART

N plano	Firma	Fecha	Aparato	MUEBLE / FITTING	Lamina	Fagor Industrial S.Coop. <b>FAGOR</b>
C-2682	<i>(Signature)</i>	2010-07	COCINAS / RANGES CG-1502		1	Oñate

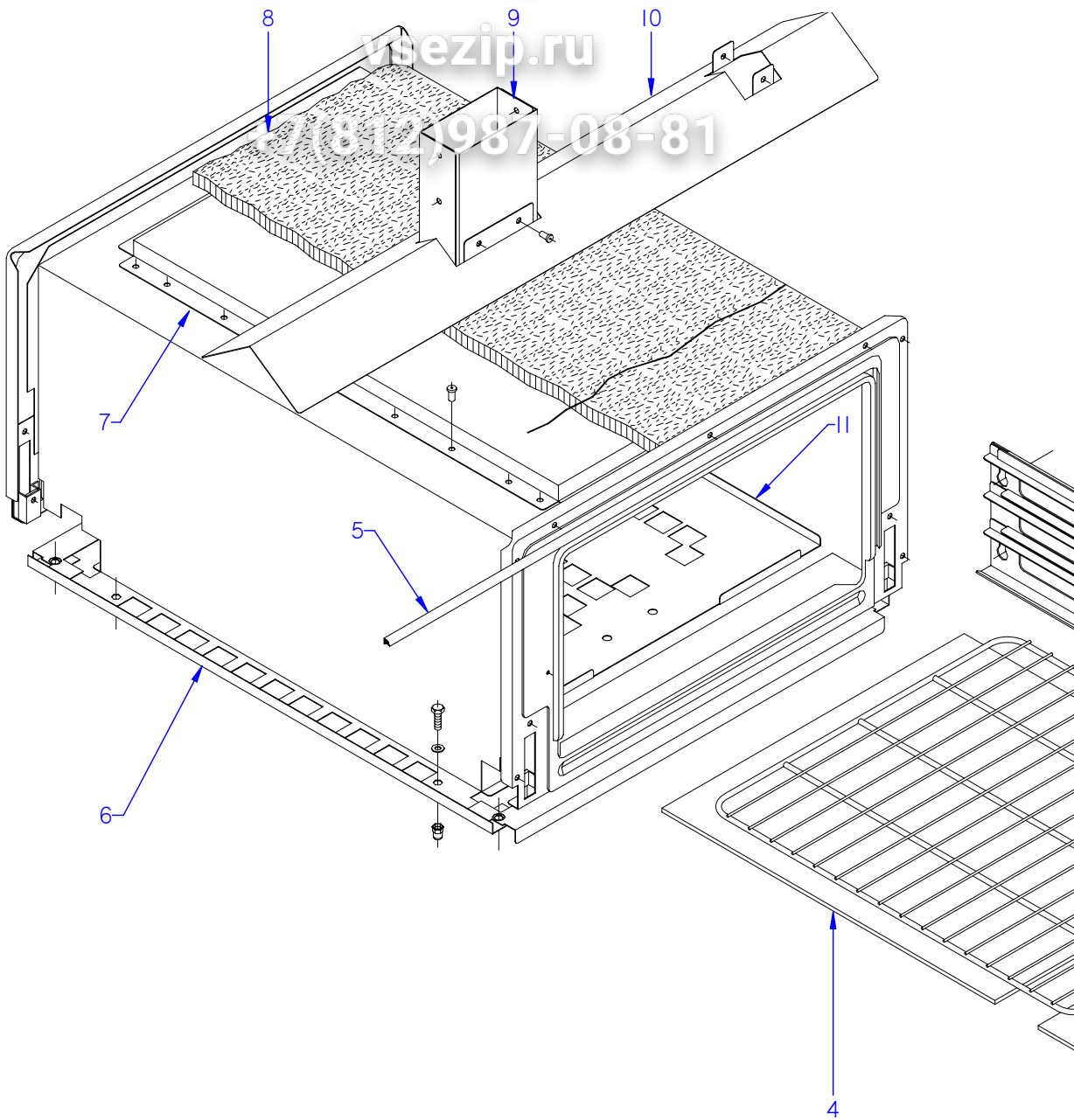
MOD.	COCINAS / RANGES	ZONA / ZONE	MUEBLE / FITTING				
ITEM	CODIGO CODE	DENOMINACION	NAME	CG-1502			
1	1100002784	KIT GRIFO DE AGUA	TAP WATER KIT	1			
2	U855408000	LATERAL DE MESA CG-1502	SIDE TABLE CG-1502	2			
	Q152004000	TORNIL, APLASTADO M5x13 A304	FLAT HEADED BOLT M5x13 A304	4			
	Q221342000	REMACHE EXAGONAL M5	HEXAGONAL RIVET M5	4			
3	U865406000	CENTRAL MESA	CENTRAL TABLE	2			
4	U855409000	INTERIOR DE MESA	BENCH SIDE	2			
	Q412000000	REMACHE TUBULAR Ø4 x 8	TUBULAR RIVET Ø4 x 8	12			
5	U865400000	EMBELLECEDOR CHIMENEA	FLUE TRIM	1			
5	U865400000S	EMBELLECEDOR CHIMENEA ESM.	GLAZED FLUE TRIM	1			
	Q032035000	TORNILLO ALOMADO M5X30	ALOHA SCREW M5X30	4			
6	U025405000	VERTEDERO 8000	DISCHARGE 8000	2			
7	U025404000	VERTEDERO 4000	DISCHARGE 4000	2			
8	U506501000	PALANCA LEVANTAPLACAS	LIFTING LEVER PLATES	1			
9	623600000	PALANCA LEVANTAPLACAS	LIFTING LEVER PLATES	1			
10	623500000	AGUJA LIMPIEZA	NEEDLE CLEANING	1			
11	U025420000	PLACA LISA	PLATE	2			
12	U035409000	PARRILLA G900	GRILLE G900	4			
13	U855410000	ANTERIOR MESA	BENCH FRONT	2			
	Q152004000	TORNIL, APLASTADO M5x13 A304	FLAT HEADED BOLT M5x13 A304	6			
14	U705410000	AMARRE DISTANCIADOR PASAM.	TIE RAIL SPACER	4			
	Q161360000	TUERCA EXAGONAL M10 H.ZINCA.	H. ZINC M10 HEX NUT	4			
	Q232060000	ARANDELA A10	WASHER A10	4			
15	U702831000	TAPON DE PASAMANOS	CAP HANDRAILS	4			
	Q411308000	REMACHE TUBTARA M10	TUBTARA RIVET M10	4			
16	U852813000	PASAMANOS	HANDRAILS	2			
17	U852802000	PORTAMANDOS LATERAL DCHO.	RIGHT SIDE CONTROL HOLDER	1			
	Q152004000	TORNIL, APLASTADO M5x13 A304	FLAT HEADED BOLT M5x13 A304	4			
18	U852811000	ESQUINERO DE PORTAMANDOS	CONTROL HOLDER CORNER	2			
	Q221342000	REMACHE EXAGONAL M5	HEXAGONAL RIVET M5	10			
	Q152004000	TORNIL, APLASTADO M5x13 A304	FLAT HEADED BOLT M5x13 A304	12			
	Q412000000	REMACHE TUBULAR Ø4 x 8	TUBULAR RIVET Ø4 x 8	8			

MOD.	COCINAS / RANGES	ZONA / ZONE	MUEBLE / FITTING				
ITEM	CODIGO CODE	DENOMINACION	NAME	CG-1502			
19	U852800000	PANEL PORTAMANDOS	CONTROL HOLDER PANEL	2			
20	U582655000	ESCUADRA AMARRE ANTER. MESA	PREVIOUS TIE SQUARE TABLE	2			
	Q152004000	TORNIL, APLASTADO M5x13 A304	FLAT HEADED BOLT M5x13 A304	8			
21	U852607000	PANEL LATERAL INTERIOR	INTER. SIDE PANEL	1			
	Q221342000	REMACHE EXAGONAL M5	HEXAGONAL RIVET M5	16			
	Q152004000	TORNIL, APLASTADO M5x13 A304	FLAT HEADED BOLT M5x13 A304	4			
22	U852606000	BANDEJA RECOGE GRASAS	GREASE COLLECTION TRAY	2			
22	12038809	BANDEJA RECOGE GRASAS	GREASE COLLECTION TRAY	2			
23	U852601000	BASE BANDEJAS	TRAY BASE	1			
	Q221342000	REMACHE EXAGONAL M5	HEXAGONAL RIVET M5	4			
	Q419005000	REMACHE 4X8 ALMG3 / ALUMINIO	RIVET 4X8 ALMG3 / ALUMINIUM	9			
24	U852806000	PANEL LATERAL DCHO. ANTERIOR	FRONT SIDE PANEL RIGHT	1			
	Q221342000	REMACHE EXAGONAL M5	HEXAGONAL RIVET M5	2			
	Q152004000	TORNIL, APLASTADO M5x13 A304	FLAT HEADED BOLT M5x13 A304	3			
	Q012031000	TORNILLO EXAGONAL M5x10 A304	HEXAGONAL BOLT M5X10 A304	1			
	Q302022000	ARANDELA Ø16X6X1,2	WASHER Ø13.9X10.33x1.5	1			
25	U852605000	BANDEJA RECOGE GRASAS	GREASE COLLECTION TRAY	2			
25	12038808	BANDEJA RECOGE GRASAS	GREASE COLLECTION TRAY	2			
26	U022808000	PORTAMANDOS LATERAL	SIDE CONTROL HOLDER	2			
	Q152004000	TORNIL, APLASTADO M5x13 A304	FLAT HEADED BOLT M5x13 A304	4			
27	U852804000	PANEL LATERAL IZQUIERDO	LEFT SIDE PANEL	1			
	Q221343000	REMACHE EXAGONAL M6	HEXAGONAL RIVET M6	4			
	Q221342000	REMACHE EXAGONAL M5	HEXAGONAL RIVET M5	14			
	Q012043000	TORNILLO EXAGONAL M6x20 A304	HEXAGONAL BOLT M6x20 A304	4			
28	X260151000	PATA REGULABLE	ADJUSTABLE LEG	4			
	Q411304000	REMACHE AVIBULB Ø 4,8	AVIBULB RIVET Ø 4.8	16			
29	U852600000	LISTON SOPORTE PATAS	LEG SUPPORT STRIP	2			
30	U852814000	PANEL LATERAL EXTERIOR	EXTERIOR SIDE PANEL	1			
	Q152004000	TORNIL, APLASTADO M5x13 A304	FLAT HEADED BOLT M5x13 A304	2			
31	U852805000	PANEL LATERAL DERECHO POSTER	POSTER. RIGHT SIDE PANEL	1			

Зип Общепит

vsezip.ru

812-987-08-81



ITEM MARCADO EN COLOR = REPUESTO RECOMENDADO  
COLOURED ITEM = RECOMMENDED SPARE PART

N plano	C-2683
Firma	
Fecha	2010-07
Aparato	HORNO PASANTE / THROUGH OVEN COCINAS / RANGES CG-1502
Lamina	2
Fagor Industrial S. Coop. Onate	

# Зип Общепит

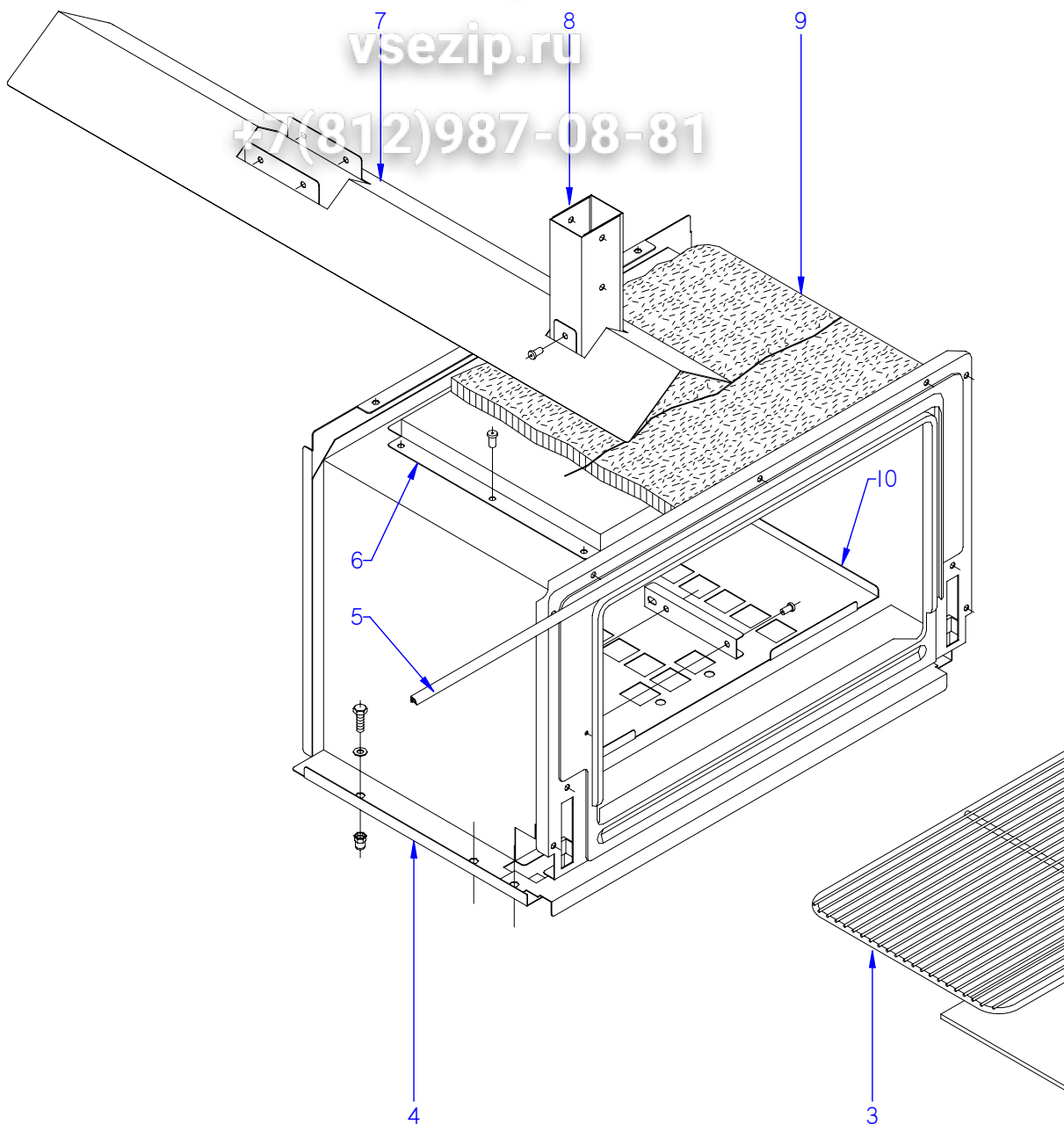
MOD.	COCINAS / RANGES	ZONA / ZONE	HORNO PASANTE / THROUGH OVEN
------	------------------	-------------	------------------------------

ITEM	CODIGO CODE	DENOMINACION	NAME	CG-1502				
1	U855631000	GUIA LATERAL HORNO	OVEN SIDE GUIDE	2				
	R252624000	PITON SOPORTE GUIAS	PITON SUPPORT GUIDES	8				
	Q221343000	REMACHE EXAGONAL M6	HEXAGONAL RIVET M6	8				
	Q302022000	ARANDELA 16X6X1.2 A.304	WASHER 16X6X1.2 A.304	8				
2	U705640000	PARRILLA DE HORNO	OVEN TRAY	1				
3	U025634000	PLACA HORNO 530x210	OVEN PLATE 530x210	2				
4	U025635000	PLACA HORNO COMPL. 530x450	OVEN PLATE COMPL. 530x450	1				
5	U025623000	JUNTA PUERTA HORNO INOX	OVEN DOOR SEAL INOX.	2				
6	U855622000	HORNO MONTADO PASANTE INOX	THROUGH MOUNT OVEN INOX	1				
7	U855605000	CAMARA DE HUMOS	SMOKE CHAMBER	1				
	Q419005000	REMACHE 4X8 ALMG3 / ALUMINIO	RIVET 4X8 ALMG3 / ALUMINIUM	28				
8	U855608000	AISLANTE VITROFIB 880x90x20	VITROFIB INSULATI. 880x90x20	1				
9	U855606000	SEMICHIMENEA HORNO PASANTE	OVEN SEMICHIMENEA INTERN	2				
	Q419005000	REMACHE 4X8 ALMG3 / ALUMINIO	RIVET 4X8 ALMG3 / ALUMINIUM	14				
10	U852604000	VERTEDERO CENTRAL	CENTRAL LANDFILL	1				
	Q221343000	REMACHE EXAGONAL M6	HEXAGONAL RIVET M6	2				
11	U855604000	BASE DE HORNO	OVEN BASE	2				

Зип Общепит

vsezip.ru

+7(812)987-08-81



ITEM MARCADO EN COLOR = REPUESTO RECOMENDADO  
COLOURED ITEM = RECOMMENDED SPARE PART

N plano	Firma	Fecha	Aparato	Lamina	Fagor Industrial S. Coop. <b>FAGOR</b> Orste
C-2684	<i>(Signature)</i>	2010-07	COCINAS / RANGES CG-1502 HORNO PEQUEÑO / SMALL OVEN	3	

## Зип Общепит

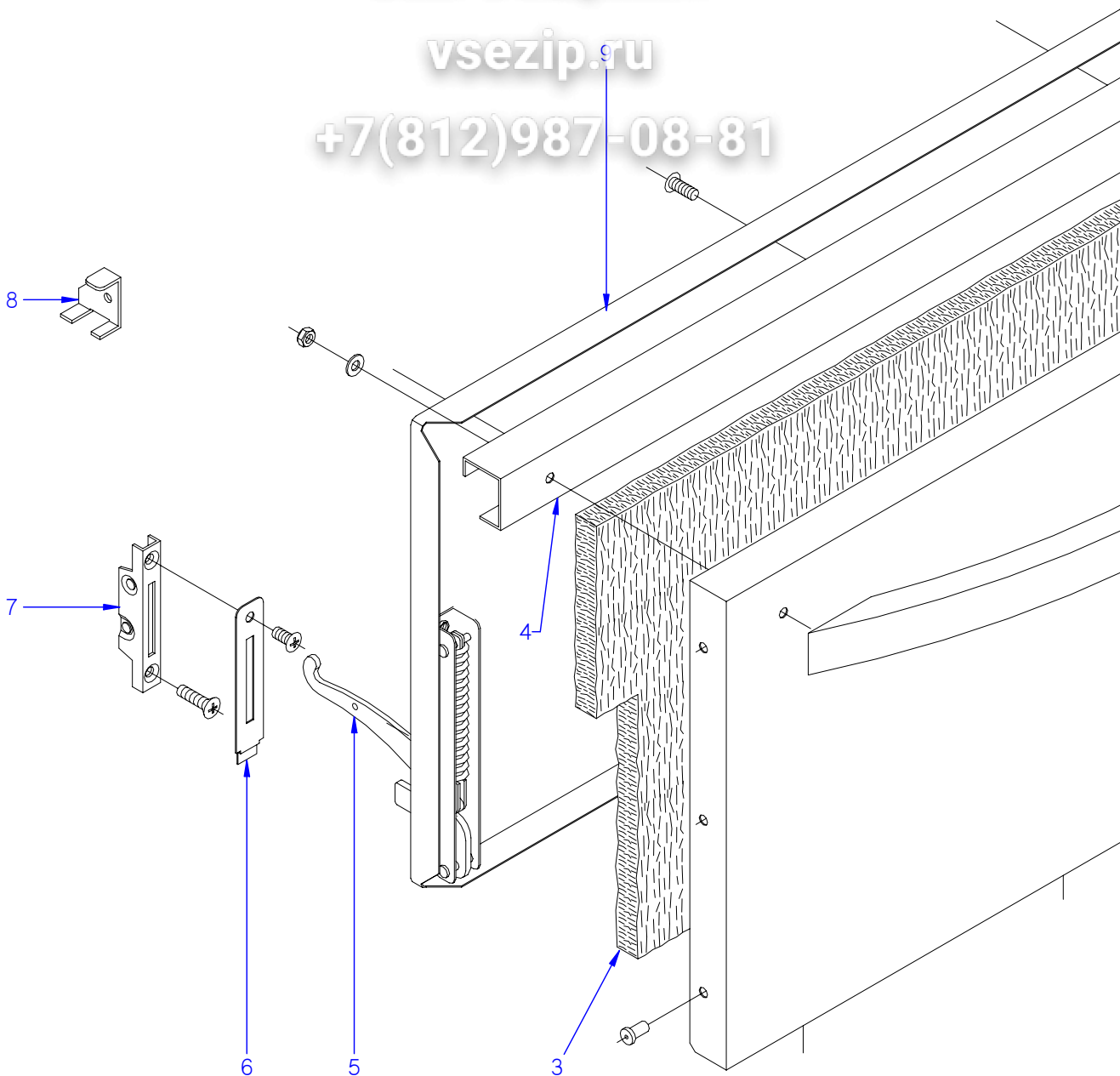
MOD.		COCINAS / RANGES	ZONA / ZONE	HORNO PEQUEÑO / SMALL OVEN			
ITEM	CODIGO CODE	DENOMINACION	NAME	CG-1502			
1	U855632000	GUIA BANDEJAS HORNO	OVEN TRAYS GUIDE	2			
	R252624000	PITON SOPORTE GUIAS	PITON SUPPORT GUIDES	8			
	Q221343000	REMACHE EXAGONAL M6	HEXAGONAL RIVET M6	8			
	Q302022000	ARANDELA 16X6X1.2 A.304	WASHER 16X6X1.2 A.304	8			
2	U025634000	PLACA HORNO 530x210	OVEN PLATE 530x210	2			
3	U015631000	PARRILLA DE HORNO	OVEN TRAY	1			
4	U855625000	HORNO MONT PEQUEÑO INOX	SMALL MOUNT OVEN INOX	1			
5	U025623000	JUNTA PUERTA HORNO INOX	OVEN DOOR SEAL INOX.	1			
6	U855618000	CAMARA DE HUMOS PEQUEÑA	SMOKE CHAMBER SMALL	1			
	Q419005000	REMACHE 4X8 ALMG3 / ALUMINIO	RIVET 4X8 ALMG3 / ALUMINIUM	10			
7	U852604000	VERTEDERO CENTRAL	CENTRAL LANDFILL	1			
	Q221343000	REMACHE EXAGONAL M6	HEXAGONAL RIVET M6	2			
8	U855619000	SEMICHIMENEA HORNO PEQUEÑO	OVEN SEMICHIMENEA SMALL	2			
	Q419005000	REMACHE 4X8 ALMG3 / ALUMINIO	RIVET 4X8 ALMG3 / ALUMINIUM	14			
9	U855620000	AISLANTE VITROFIB 1455x420x20	VITROFIB INSULATI. 1455x420x20	1			
10	U855617000	BASE DE HORNO PEQUEÑO	OVEN BASE SMALL	2			



Зип Общепит

vsezip.ru

+7(812)987-08-81



ITEM MARCADO EN COLOR = REPUUESTO RECOMENDADO  
COLOURED ITEM = RECOMMENDED SPARE PART

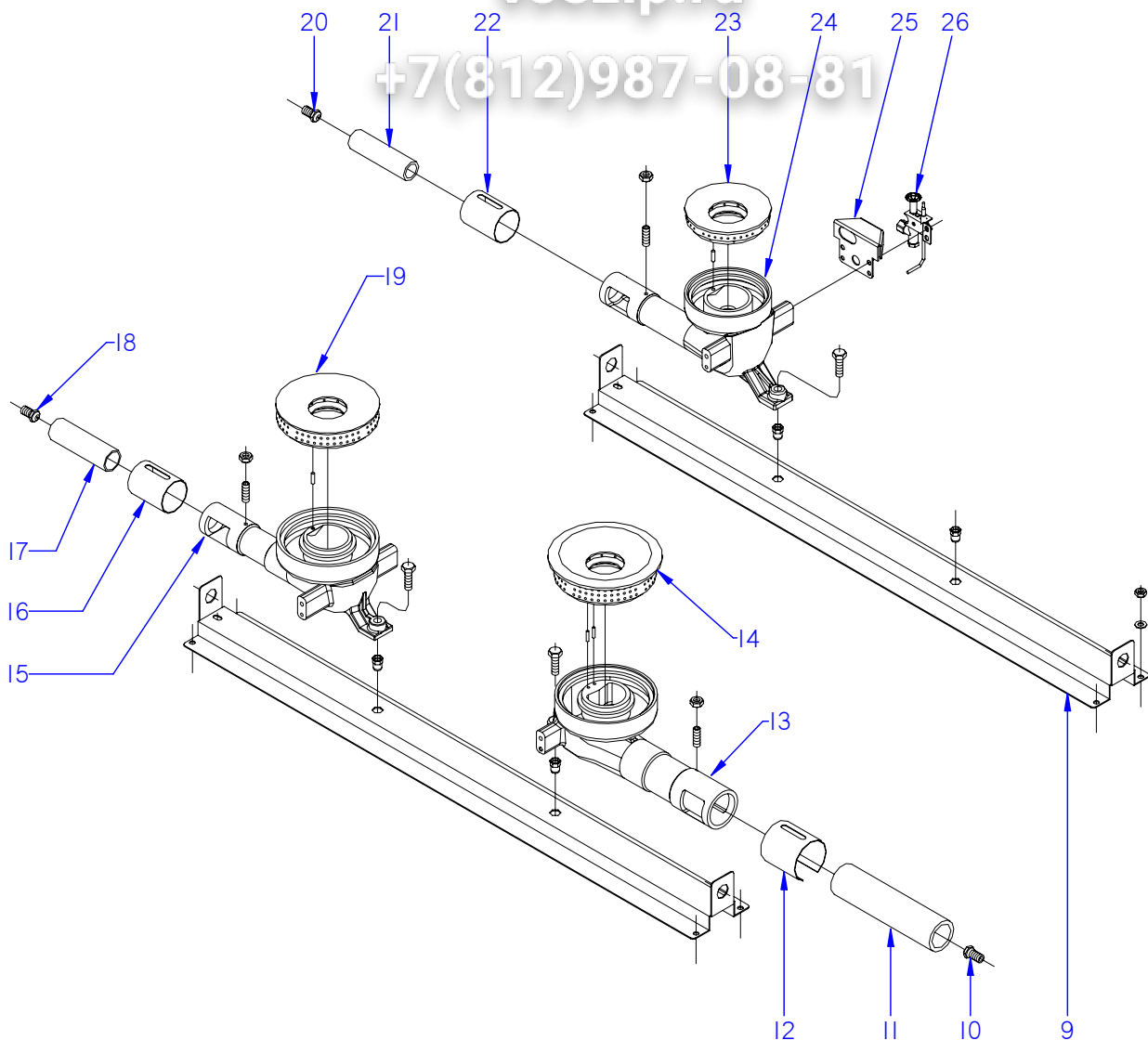
N plano C-26885	Firma <i>(Signature)</i>	Fecha 2010-07	Aparato COCINAS / RANGES CG-1502	Lamina 4	Fagor Industrial S. Coop. Onete
			PUERTA / DOOR	FAGOR	



Зип Общепит

vsezip.ru

+7(812)987-08-81



ITEM MARCADO EN COLOR = REPUESTO RECOMENDADO  
COLOURED ITEM = RECOMMENDED SPARE PART

N plano	C-26886
Firma	
Fecha	2010-07
Aparato	COCINAS / RANGES CG-1502
QUEMADORES / BURNERS	
Lamina	5
Fagor Industrial S. Coop. Oñate	

MOD.		COCINAS / RANGES	ZONA / ZONE	QUEMADORES / BURNERS			
ITEM	CODIGO CODE	DENOMINACION	NAME	CG-1502			
1	U325708000	DIFUSOR QUEMADOR HORNO	OVEN BURNER DIFFUSER	1			
	R252624000	PITON SOPORTE	PITON SUPPORT	1			
	Q162004000	TUERCA EXAGONAL M6	HEXAGONAL NUT M6	1			
	Q302022000	ARANDELA 16x6x1,2 A304	WASHER 16x6x1.2 A304	1			
2	U855700000	QUEMADOR HORNO	OVEN BURNER	1			
3	U325707000	REGULADOR DE AIRE	AIR CONTROL	1			
	Q012031000	TORNILLO EXAGONAL M5x10 A304	HEXAGONAL BOLT M5X10 A304	1			
4	N502401000	TOBERA Ø 1,70 B.P.	NOZZLE Ø 1,70 B.P.	1			
4	U054400000	TOBERA Ø 2,5 G.N.	NOZZLE Ø 2,5 G.N.	1			
4	9424500000	TOBERA Ø 5,35 G.V.	NOZZLE Ø 5,35 G.V.	1			
5	U855705000	DIFUSOR QUEMADOR HORNO	OVEN BURNER DIFFUSER	1			
	R252624000	PITON SOPORTE	PITON SUPPORT	1			
	Q162004000	TUERCA EXAGONAL M6	HEXAGONAL NUT M6	1			
	Q302022000	ARANDELA 16x6x1,2 A304	WASHER 16x6x1.2 A304	1			
6	U855702000	QUEMADOR HORNO PEQUEÑO	OVEN BURNER SMALL	1			
7	U325707000	REGULADOR DE AIRE	AIR CONTROL	1			
	Q012031000	TORNILLO EXAGONAL M5x10 A304	HEXAGONAL BOLT M5X10 A304	1			
8	X312400000	TOBERA Ø 1,10 B.P.	NOZZLE Ø 1,10 B.P.	1			
8	9429400000	TOBERA Ø 1,80 G.N.	NOZZLE Ø 1,80 G.N.	1			
8	9451000000	TOBERA Ø 3,30 G.V.	NOZZLE Ø 3,30 G.V.	1			
9	U862604000	LISTON SOPORTE QUEMADOR	BURNER SUPPORT STRIP	3			
	Q162004000	TUERCA EXAGONAL M6	HEXAGONAL NUT M6	12			
	Q302022000	ARANDELA 16x6x1,2 A304	WASHER 16x6x1.2 A304	12			
10	U112401000	TOBERA Ø 1,55 B.P. (10.500)	NOZZLE Ø 1,55 B.P. (10.500)	1			
10	R275050000	TOBERA Ø 2,35 G.N. (10.500)	NOZZLE Ø 2,35 G.N. (10.500)	1			
10	U192402000	TOBERA Ø 4,90 G.V. (10.500)	NOZZLE Ø 4,90 G.V. (10.500)	1			
11	U235702000	VENTURI QUEMADOR 10.500	BURNER VENTURI 10,500	1			
12	U025706000	REGULADOR DE AIRE 10.000	AIR CONTROL 10.000	1			

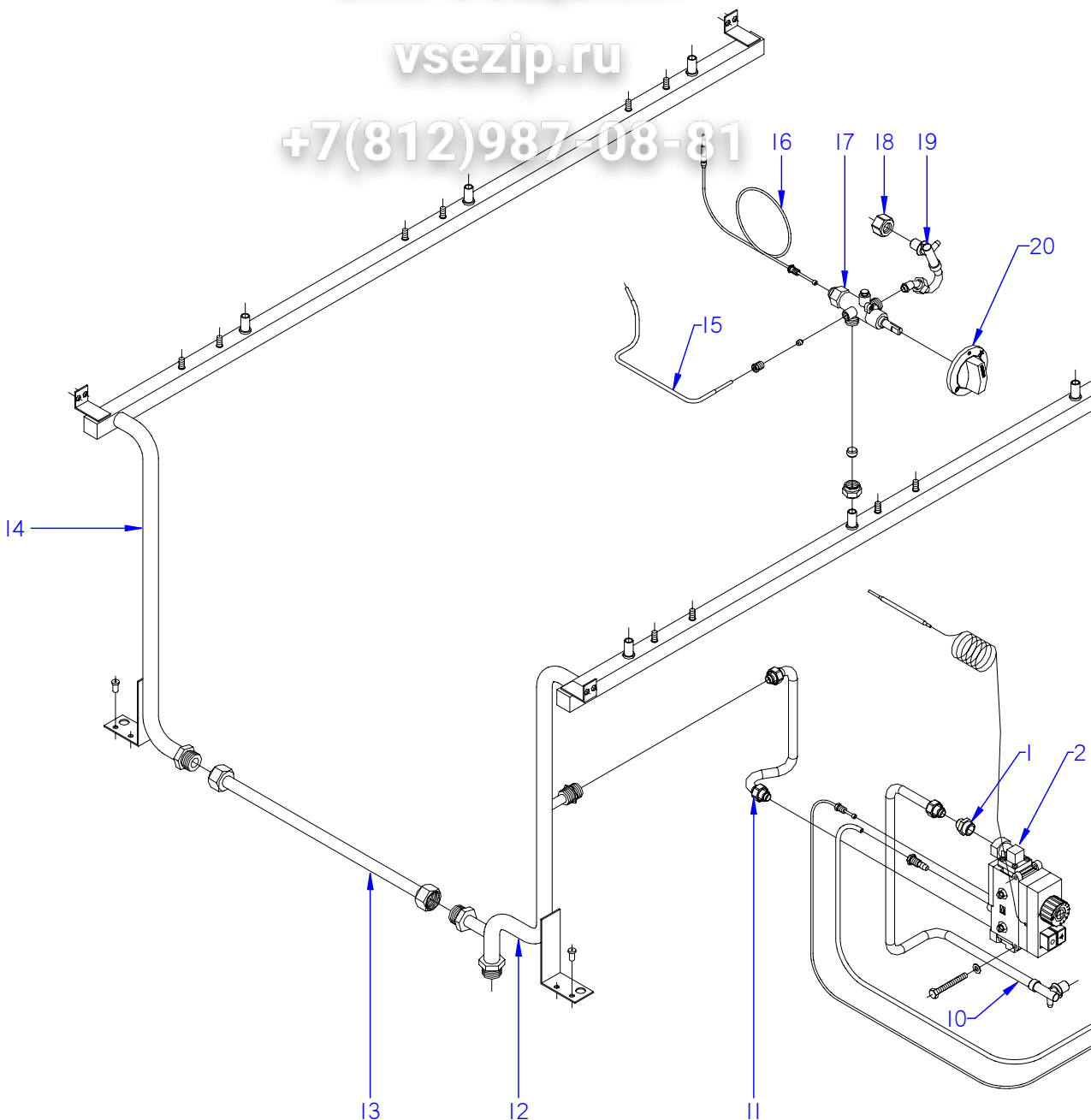
MOD.	COCINAS / RANGES	ZONA / ZONE	QUEMADORES / BURNERS					
ITEM	CODIGO CODE	DENOMINACION	NAME	CG-1502				
13	U025703000	CUERPO QUEMADOR 10000 Kcal/H	BURNER BODY 10000 Kcal/h	1				
	Q371028000	MANGUITO DE SUJECION Ø 3x14	HANDLE Ø 3x14	2				
	Q131542000	VARILLA ROSCADA M6x15	THREADED ROD M6X15	1				
	Q162004000	TUERCA EXAGONAL M6	HEXAGONAL NUT M6	1				
14	U235701500	DIFUSOR 10.500 Kcal/H	DIFFUSER 10.500 Kcal/H	1				
14	12047137	DIFUSOR 10.500	DIFFUSER 10.500	1				
15	U025702000	CUERPO QUEMADOR 8.000 Kcal/H	BURNER BODY 8.000 Kcal/H	1				
	Q371026000	MANGUITO DE SUJECION Ø 4x14	HANDLE Ø 4x14	1				
	Q131542000	VARILLA ROSCADA M6x15	THREADED ROD M6X15	1				
	Q162004000	TUERCA EXAGONAL M6	HEXAGONAL NUT M6	1				
16	U265702000	REGULADOR DE AIRE	AIR CONTROL	1				
17	U565700000	VENTURI QUEMADOR 8.000	BURNER VENTURI 8.000	1				
18	631000000	TOBERA Ø 1,40 B.P. (8.000)	NOZZLE Ø 1,40 B.P. (8.000)	1				
18	R614500000	TOBERA Ø 2 G.N. (8.000)	NOZZLE Ø 2 G.N. (8.000)	1				
18	U262401000	TOBERA Ø 4,10 G.V. (8.000)	NOZZLE Ø 4,10 G.V. (8.000)	1				
19	U135702500	QUEMADOR 8000	BURNER 8000	1				
20	U122407000	TOBERA Ø 1,05 B.P. (4.000)	NOZZLE Ø 1,05 B.P. (4.000)	4				
20	9105100000	TOBERA Ø 1,5 G.N. (4.000)	NOZZLE Ø 1,5 G.N. (4.000)	4				
20	R302401000	TOBERA Ø 4 G.V. (4.000)	NOZZLE Ø 4 G.V. (4.000)	4				
21	U125720000	VENTURI QUEMADOR 4000	VENTURI BURNER 4000	4				
22	U265702000	REGULADOR DE AIRE	AIR CONTROL	4				
23	U445731000	QUEMADOR 4000 (00545-010)	BURNER 4000 (00545-010)	4				
23	12039162	QUEMADOR 4000 Kcal/H	BURNER 4000 Kcal/H	4				
24	U025701000	CUERPO QUEMADOR 4000 Kcal/H	BURNER BODY 4000 Kcal/H	4				
	Q371026000	MANGUITO DE SUJECION Ø 4x14	HANDLE Ø 4x14	4				
	Q131542000	VARILLA ROSCADA M6x15	THREADED ROD M6X15	4				
	Q162004000	TUERCA EXAGONAL M6	HEXAGONAL NUT M6	4				
25	U025708000	PROTECTOR PILOTO POSTERIOR	REAR GUARD PILOT	6				



Зип Общепит

vsezip.ru

+7(812)987-08-81



ITEM MARCADO EN COLOR = REPUESTO RECOMENDADO  
COLOURED ITEM = RECOMMENDED SPARE PART

N plano C-2687	Firma <i>[Signature]</i>	Fecha 2010-07	Aparato COCINAS / RANGES CG-1502	Lamina 6	Fagor Industrial S. Coop. Ortze
PARTE FUNCIONAL GAS / GAS FUNCTIONAL PART					



# Зип Общепит

MOD.		COCINAS / RANGES		ZONA / ZONE		PARTE FUNCIONAL GAS GAS FUNCTIONAL PART			
ITEM	CODIGO CODE	DENOMINACION	NAME	CG-1502					
1	U875017000	MANGUITO R3/8"-R1/2"	HOSE R3/8"-R1/2"	4					
	U055043000	BICONO Ø 12	BICONE Ø 12	4					
2	U134324000	VALVULA MINISIT 0710.654	VALVE MINISIT 0710.654	2					
S/Nº	U134317000	MANDO NEGRO MINI 916.124	BLACK CTRL. MINI 916.124	2					
S/Nº	U134318000	CUBIERTA MINISIT 903.052	COVER MINISIT 903.052	2					
S/Nº	Q031322000	TORNILLO ALOMADO M4x15	CURVED SCREW M4X15	16					
S/Nº	U134323000	RACORD BICONO 6 958.031	BICONE CONNECTION 6 958.031	2					
S/Nº	U264300000	RACOR 3/8 906,252	CONNECTION 3/8 906.252	4					
S/Nº	Q307041000	JUNTA TORICA 25,4x20,2x2,6	O-RING 25.4x20.2x2.6	4					
3	U322118000	PILOTO COMPLETO BP 100.162	PILOT UNIT BP 100.162	2					
S/Nº	U442137000	INYECTOR Ø 0,4 GN	INJECTOR Ø 0.4 GN.	2					
4	X022131000	BUJIA	SPARK PLUG	2					
5	U323030000	CABLE BUJIA	SPARK PLUG CABLE	2					
6	U333003000	CABLE MASA ENCENDEDOR	LIGHTER EARTH CABLE	2					
7	S113034000	PIEZOELECTRICO	PIEZOELECTRIC	2					
7	12043897	PIEZOELECTRICO COMPLETO	COMPLETE PIEZOELECTRIC	2					
S/Nº	12043907	ANILLO ADAPTADOR	ADAPTER RING	2					
8	U565036000	TUBO PILOTO HORNO	PILOT PIPE BURNER	2					
	U134323000	RACORD BICONO 6 958.031	BICONE CONNECTION 6 958.031	4					
9	U562130000	TERMOPAR L=850	THERMOCOUPLE L=850	2					
10	U025017000	TUBO MINISIT A QUEMADOR	MINISIT BURNER PIPE	2					
	Q223019000	TUERCA 3/8 GAS LATÓN	NUT 3/8 BRASS GAS	2					
	U055043000	BICONO Ø 12	BICONE Ø 12	2					
	Q153002000	TORNILLO TAPON	SCREW CAP	2					
11	U025014000	TUBO EMPALME A MINISIT	SPLICE TUBE MINISIT	2					
12	U855000000	COND. GENERAL CG-1502 ANTER.	BEF. GENERAL PIPING CG-1502	1					
	Q411304000	REMACHE AVIBULB Ø 4,8	AVIBULB RIVET Ø 4.8	4					
13	U855010000	TUBO DISTRIBUIDOR COMPLETO	FULL DISTRIBUTOR PIPE	1					







