

Зип Общепит

DESPIECE TECNICO

vsezip.ru

+7(812)987-08-81

Hornos Mixtos Gas
Fours Mixtes á Gaz
Combined Gas Ovens
Gas-Konvektionsöfen
Forni Misti a Gas

SERIE "EVOLUTION"

Modelos:

HGV-10/21

Febrero 2005 February

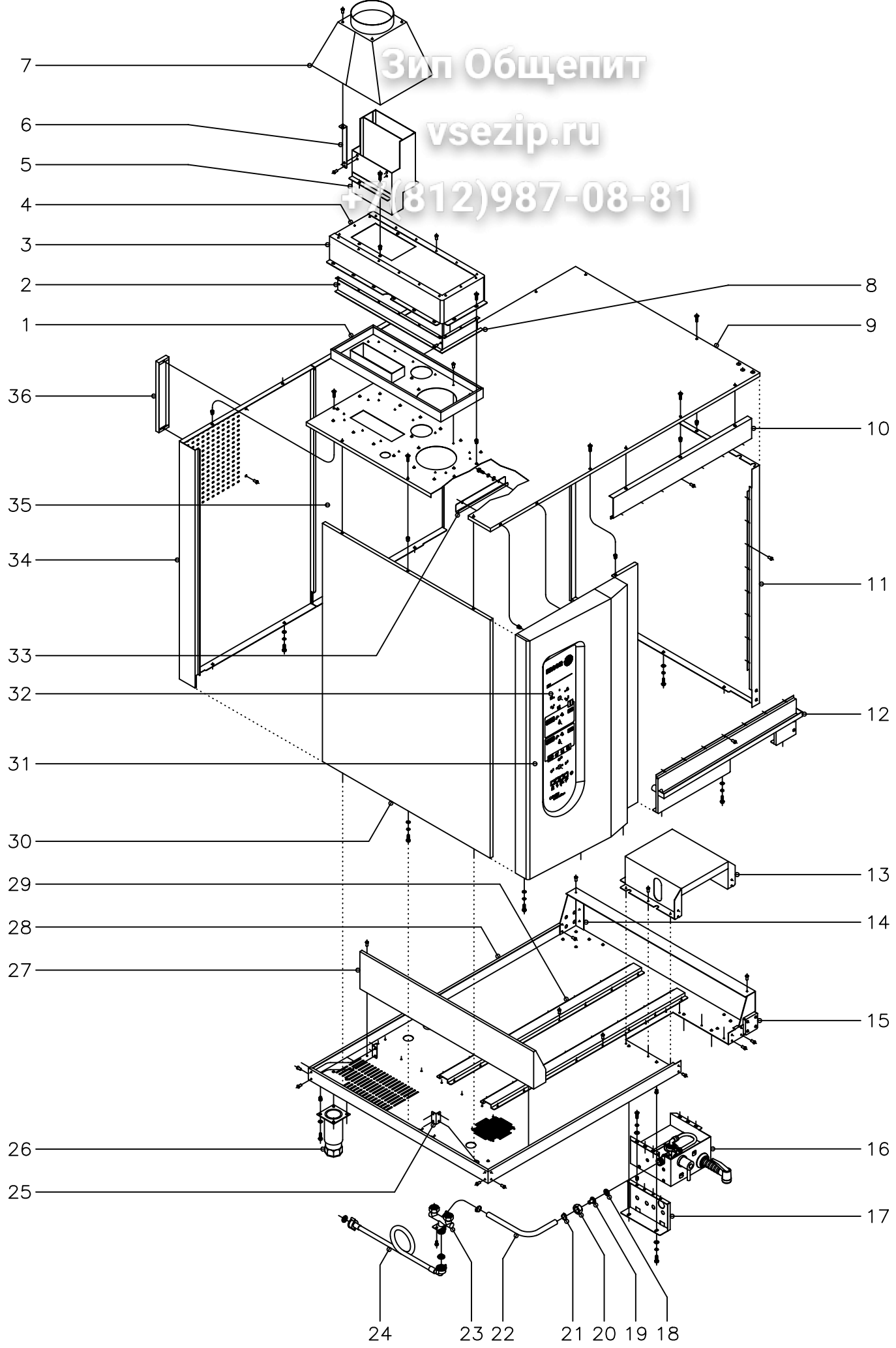


Fagor Industrial

Зип Общепит

vsezip.ru

+7(812)987-08-81



N plano C-1625	Firma 	Fecha 2-2005	Aparato HORNO A GAS HGV-10/21	MUEBLE	Lamina 1	Fagor Industrial S.Coop. FAGOR Onate
-------------------	-----------	-----------------	----------------------------------	--------	-------------	--

MOD.		HORNO A GAS	ZONA	MUEBLE				
ITEM	CODIGO	DENOMINACION	TEXTO	HGV-10/21				
1	T302820	Bandeja de colector completa	Complete tray manifold	1				
	Q412002	Remache tubular Ø4x7,5	Tubular rivet Ø4x7.5	15				
2	T302824	Lateral camara colector	Manifold chamber side	2				
	Q412002	Remache tubular Ø4x7,5	Tubular rivet Ø4x7.5	4				
3	T302822	Anterior colector	Manifold front	1				
	Q152004	Tornillo aplastado M-5x13	Flat screw M-5x13	14				
	Q222011	Remache exagonal M-5	Hexagonal rivet M-5	14				
4	T302823	Posterior de colector	Manifold rear	1				
	Q152004	Tornillo aplastado M-5x13	Flat screw M-5x13	2				
	Q222011	Remache exagonal M-5	Hexagonal rivet M-5	2				
	Q412002	Remache tubular Ø4x7,5	Tubular rivet Ø4x7.5	21				
5	T122816	Salida colector completa	Complete manifold outlet	1				
	Q012031	Tornillo exagonal M-5x10	Hexagonal screw M-5x10	3				
	Q232030	Arandela plana A-5	Flat washer A-5	3				
	Q222011	Remache exagonal M-5	Hexagonal rivet M-5	3				
6	T112815	Soporte chimenea	Chimney holder	4				
	Q412002	Remache tubular Ø4x7,5	Tubular rivet Ø4x7.5	12				
7	T122820	Chimenea exterior completa	Complete external chimney	1				
8	T302825	Posterior y anteri. camara colector	Manifold chamber rear and	2				
9	T302810	Panel superior exterior	Outer upper panel	1				
	Q221342	Remache exagonal M-5	Hexagonal rivet M-5	13				
	Q152004	Tornillo aplastado M-5x13	Flat screw M-5x13	13				
10	T302804	Panel anterior superior	Upper front panel	1				
	Q412002	Remache tubular Ø4x7,5	Tubular rivet Ø4x7.5	7				
11	T302803	Panel exterior derecho	Right outer panel	1				
	Q012042	Tornillo exagonal M-6x15	Hexagonal screw M-6x15	3				
	Q262040	Arandela grower A-6	Grower washer A-6	3				
	Q232040	Arandela plana A-6	Flat washer A-6	3				
	Q221343	Remache exagonal M-6	Hexagonal rivet M-6	3				

MOD.		HORNO A GAS	ZONA	MUEBLE				
ITEM	CODIGO	DENOMINACION	TEXTO	HGV-10/21				
	Q412002	Remache tubular Ø4x7,5	Tubular rivet Ø4x7.5	7				
12	T302800	Recogeaguas completo	Complete water collector	1				
	Q012042	Tornillo exagonal M-6x15	Hexagonal screw M-6x15	3				
	Q262040	Arandela grower A-6	Grower washer A-6	3				
	Q232040	Arandela plana A-6	Flat washer A-6	3				
	Q221343	Remache exagonal M-6	Hexagonal rivet M-6	3				
	Q412002	Remache tubular Ø4x7,5	Tubular rivet Ø4x7.5	7				
13	T302830	Alojamiento ducha	Shower housing	1				
	Q412002	Remache tubular Ø4x7,5	Tubular rivet Ø4x7.5	13				
14	T302816	Refuerzo apoyo base posterior	Rear base reinforcement	1				
	Q412002	Remache tubular Ø4x7,5	Tubular rivet Ø4x7.5	6				
15	T302836	Refuerzo apoyo base anterior com.	Com. front base holder rein	1				
	Q412002	Remache tubular Ø4x7,5	Tubular rivet Ø4x7.5	6				
	1100002860	KIT DUCHA HORNO 10 / 21	OVEN SHOWER KIT 10 / 21	1				
16	Z279506	Grupo ducha mini	Mini shower group	1				
	Q152004	Tornillo aplastado M-5x13	Flat screw M-5x13	6				
	Q262030	Arandela grower A-5	Grower washer A-5	6				
	Q232030	Arandela plana A-5	Flat washer A-5	6				
	Q221342	Remache exagonal M-5	Hexagonal rivet M-5	6				
17	T302831	Amarre ducha	Shower anchoring	2				
	Q012042	Tornillo exagonal M-6x15	Hexagonal screw M-6x15	3				
	Q262040	Arandela grower A-6	Grower washer A-6	3				
	Q232040	Arandela plana A-6	Flat washer A-6	3				
	Q221343	Remache exagonal M-6	Hexagonal rivet M-6	3				
18	Q306039	Arandela junta Ø25xØ16,1x1,5	Joint washer Ø25xØ16.1x1.5	1				
19	T305067	Entrada de agua a ducha	Shower water inlet	1				
20	Q222013	Tuerca 3/4" gas	Nut 3/4" Gas	1				
21	Q881302	Abrazadera 12 - 20	Clamp 12 - 20	2				

Зип Общепит

vsezip.ru

+7(812)987-08-81

MOD.		HORNO A GAS	ZONA	MUEBLE				
ITEM	CODIGO	DENOMINACION	TEXTO	HGV-10/21				
22	3676900	Тубо де гома Ø17xØ10x850	Rubber tubing Ø17xØ10x850	1				
23	T305063	Entrada de agua completa	Complete water inlet	1				
	Q012021	Tornillo exagonal M-4x10	Hexagonal screw M-4x10	2				
24	Z601114	Manguera entrada de agua	Water inlet hose	1				
	Z701132	Filtro-junta entrada de agua	Filter-joint water inlet	1				
	Q307031	Junta manguera Ø24xØ14x3	Hose joint Ø24xØ14x3	1				
25	T302837	Cantonera base	Base corner protector	2				
	Q412002	Remache tubular Ø4x7,5	Tubular rivet Ø4x7.5	8				
26	X260151	Pata regulable	Ajustable leg	4				
	Q012031	Tornillo exagonal M-5x10	Hexagonal screw M-5x10	16				
	Q242030	Arandela abanico A-5	Fan shaped washer A-5	16				
	Q221342	Remache exagonal M-5	Hexagonal rivet M-5	16				
27	T302815	Apoyo cuerpo de horno	Oven body holder	1				
	Q412002	Remache tubular Ø4x7,5	Tubular rivet Ø4x7.5	13				
28	T302813	Base exterior de horno 10 / 21	Oven outer base 10 / 21	1				
29	T302818	Refuerzo longitudinal base	Base longitudinal reinforcement	2				
	Q412002	Remache tubular Ø4x7,5	Tubular rivet Ø4x7.5	32				
30	T302806	Panel exterior izquierdo	Left outer panel	1				
	Q012042	Tornillo exagonal M-6x15	Hexagonal screw M-6x15	3				
	Q262040	Arandela grower A-6	Grower washer A-6	3				
	Q232040	Arandela plana A-6	Flat washer A-6	3				
	Q221343	Remache exagonal M-6	Hexagonal rivet M-6	3				
31	T302808	Panel portamandos	Control panel	1				
	Q012042	Tornillo exagonal M-6x15	Hexagonal screw M-6x15	3				
	Q262040	Arandela grower A-6	Grower washer A-6	3				
	Q232040	Arandela plana A-6	Flat washer A-6	3				
	Q221343	Remache exagonal M-6	Hexagonal rivet M-6	3				
	Q412002	Remache tubular Ø4x7,5	Tubular rivet Ø4x7.5	8				
32	T303000	Serigrafia HGV-10 / 21	Serigraphy HGV-10 / 21	1				

Зип Общепит

vsezip.ru

+7(812)987-08-81


MOD.		HORNO A GAS	ZONA	MUEBLE				
ITEM	CODIGO	DENOMINACION	TEXTO	HGV-10/21				
33	T302834	Canaleta portamandos	Control feed through	1				
	Q012042	Tornillo exagonal M-6x15	Hexagonal screw M-6x15	2				
	Q262040	Arandela grower A-6	Grower washer A-6	2				
	Q232040	Arandela plana A-6	Flat washer A-6	2				
	Q221343	Remache exagonal M-6	Hexagonal rivet M-6	2				
34	T302849	Panel posterior exterior HGV	HGV outer outer rear panel	1				
35	T302850	Panel posterior exterior comun	Common outer rear panel	1				
	Q012042	Tornillo exagonal M-6x15	Hexagonal screw M-6x15	4				
	Q262040	Arandela grower A-6	Grower washer A-6	4				
	Q232040	Arandela plana A-6	Flat washer A-6	4				
	Q221343	Remache exagonal M-6	Hexagonal rivet M-6	4				
36	T302835	Separador posterior	Rear separator	1				
	Q412002	Remache tubular Ø4x7,5	Tubular rivet Ø4x7.5	2				

Вид Общепит

vsezip.ru

+7(812)987-08-81

N plano
C-1626


Firma


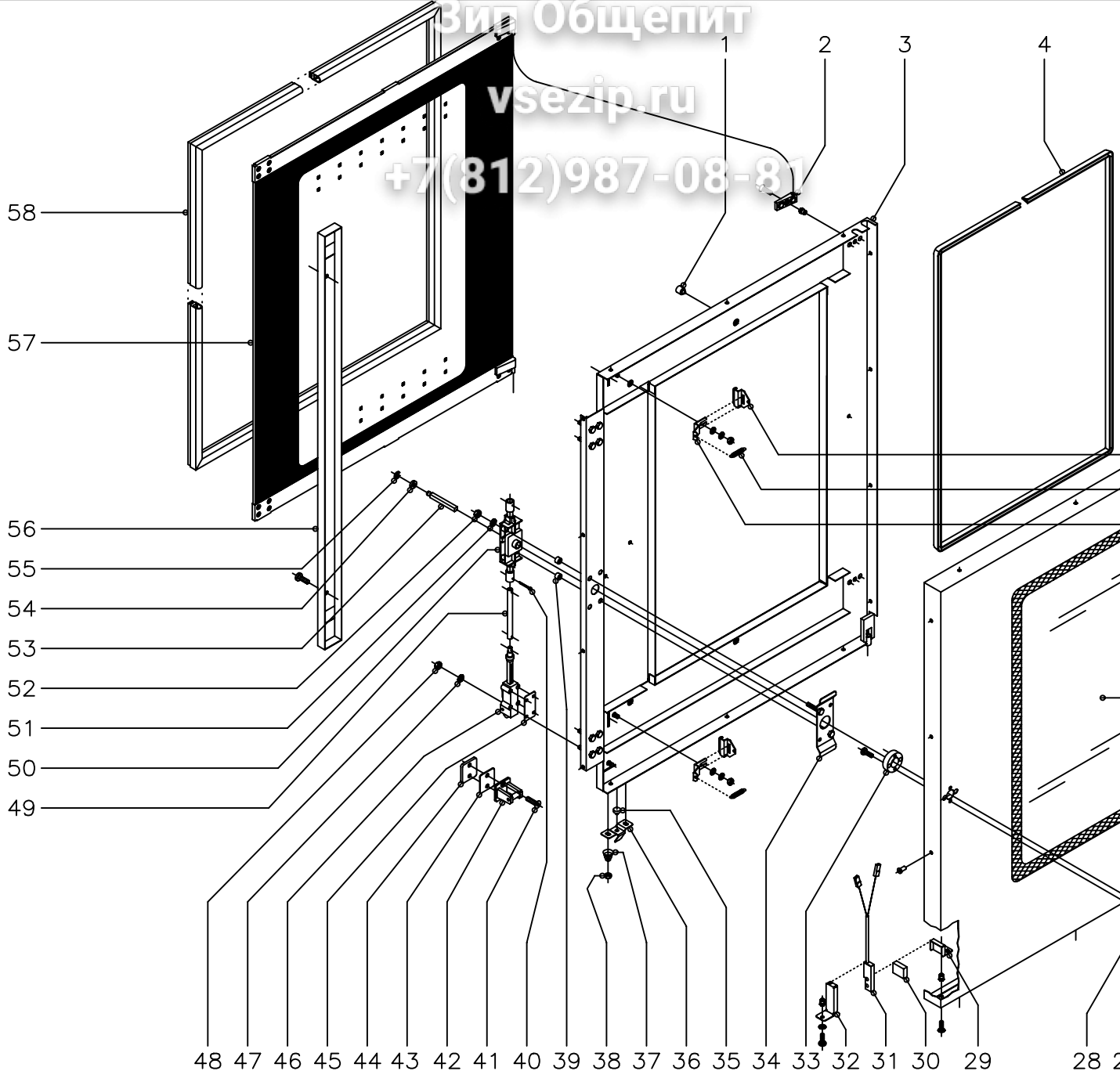
Fecha
2-2005

Aparato
HORNO A GAS HGV-10/21

Lamina
2

Fagor Industrial S. Coop.
Oñate

FAGOR




MOD.		HORNO A GAS	ZONA	PUERTA				
ITEM	CODIGO	DENOMINACION	TEXTO	HGV-10/21				
	1100003101	KIT Puerta completa 10/21	Complete door KIT 10/21	1				
1	T300513	Tope cristal interior	Inner glass door stop	6				
2	R670615	Base de bisagra	Hinge base	2				
	Q042032	Tornillo avellanado M-5x15	Countersunk screw M-5x15	2				
	Q222011	Remache exagonal M-5	Hexagonal rivet M-5	2				
3	T300501	Contrapuerta completa	Complete inner door	1				
4	3715200	Junta cristal L=2500	Glass joint L=2500	1				
5	Q012053	Tornillo exgonal M-8x20	Hexagonal screw M-8x20	3				
6	Q242050	Arandela abanico A-8	Fan shaped washer A-8	3				
7	Q302025	Arandela plana Ø8,4x20x1,5	Flat washer Ø8,4x20x1.5	3				
8	Q012042	Tornillo exagonal M-6x15	Hexagonal screw M-6x15	1				
9	Q242040	Arandela abanico A-6	Fan shaped washer A-6	1				
10	R662807	Arandela amarre puerta	Door anchoring washer	1				
11	T300520	Bisagra superior	Upper hinge	1				
12	R660534	Eje superior	Upper shaft	1				
13	Z850519	Resorte	Spring	1				
14	T300514	Pestillo sujecion cristal interior	Inner glass fastening latch	2				
15	R660605	Muelle tensor pestillo	Latch tensor spring	2				
16	R670612	Base de pestillo	Latch base	2				
	Q302022	Arandela plana Ø16xØ6x1,2	Flat washer Ø16xØ6x1.2	2				
	Q242030	Arandela abanico A-5	Fan shaped washer A-5	2				
	Q162030	Tuerca exagonal M-5	Hexagonal nut M-5	2				
17	T300523	Panel puerta completa	Complete door panel	1				
	Q412002	Remache tubular Ø4x7,5	Tubular rivet Ø4x7.5	14				
18	T300505	Cristal exterior	Outer glass	1				
19	R660549	Guia eje inferior	Lower shaft guide	1				
20	Q062040	Tornillo avellanado M-6x16	Countersunk screw M-6x16	4				
21	T300521	Bisagra inferior	Lower hinge	1				

Зип Общепит

vsezip.ru

+7(812)987-08-81

MOD.		HORNO A GAS	ZONA	PUERTA				
ITEM	CODIGO	DENOMINACION	TEXTO	HGV-10/21				
22	Q242040	Arandela abanico A-6	Fan shaped washer A-6	2				
23	Q012041	Tornillo exagonal M-6x10	Hexagonal screw M-6x10	2				
24	T130502	Manilla	Handle	1				
25	Q132042	Varilla roscada M-6x15	Threaded rod M-6x15	1				
26	T130507	Piton enganche	Fastener spike	2				
27	T130506	Resorte	Spring	2				
28	T130515	Guia manilla	Handle guide	1				
29	T300525	Soporte iman	Magnet holder	1				
30	T300526	Iman	Magnet	1				
31	Z100522	Interruptor magnetico	Magnetic switch	1				
32	T302819	Soporte interruptor magnet. puerta	Door magnetic switch holder	1				
	Q221342	Remache exagonal M-5	Hexagonal rivet M-5	1				
	Q242030	Arandela abanico A-5	Fan shaped washer A-5	1				
	Q152004	Tornillo aplastado M-5x13	Flat screw M-5x13	1				
33	T130514	Soporte resortes	Spring holder	1				
	Q032032	Tornillo alomado M-5x15	Curved screw M-5x15	2				
34	T130511	Suplemento fijacion cerradura	Lock fixing supplement	1				
35	T300518	Tapon cierre canaleta	Feed through closing plug	1				
36	T300517	Chapa cierre canaleta	Feed through closing cover	1				
37	T300524	Resorte conico	Conical spring	2				
38	Q162030	Tuerca exagonal M-5	Hexagonal nut M-5	2				
39	Z608410	Casquillo	Bushing	2				
40	Q352001	Pasador de aletas Ø2x15	Cotter pin Ø2x15	4				
41	Q042045	Tornillo avellanado M-6x30	Countersunk screw M-6x30	4				
42	T110506	Enganche	Fastener	2				
43	R660538	Calzo de enganche	Coupling chock	4				
44	T300519	Suplemento enganche	Fastener supplement	2				
45	T080503	Suplemento elemento cierre	Closing element supplement	6				
46	T080504	Elemento de cierre	Closing component	2				


MOD.		HORNO A GAS	ZONA	PUERTA			
ITEM	CODIGO	DENOMINACION	TEXTO	HGV-10/21			
47	Q242030	Arandela abanico A-5	Fan shaped washer A-5	8			
48	Q162030	Tuerca exagonal M-5	Hexagonal nut M-5	8			
49	T300507	Tubo alargadera	Extension tubing	2			
50	T130509	Mecanismo de cierre	Closing mechanism	1			
51	Q262040	Arandela muelle A-6	Spring washer A-6	2			
52	Q162040	Tuerca exagonal M-6	Hexagonal nut M-6	2			
53	T130508	Eje de manilla	Handle shaft	1			
54	T130505	Casquillo	Bushing	1			
55	Q271033	Arandela de seguridad Ø6	Safety washer Ø6	1			
56	T300508	Tapa cierre puerta	Door closing cover	1			
	Q032031	Tornillo alomado M-5x10	Curved screw M-5x10	2			
57	1100003102	KIT Cristal interior compl. 10/21	Complete inner glass 1100	1			
58	T300500	Junta puerta	Door joint	1			

Зип Общепит

vsezip.ru

+7(812)987-08-81

N plano
C-1627


Firma


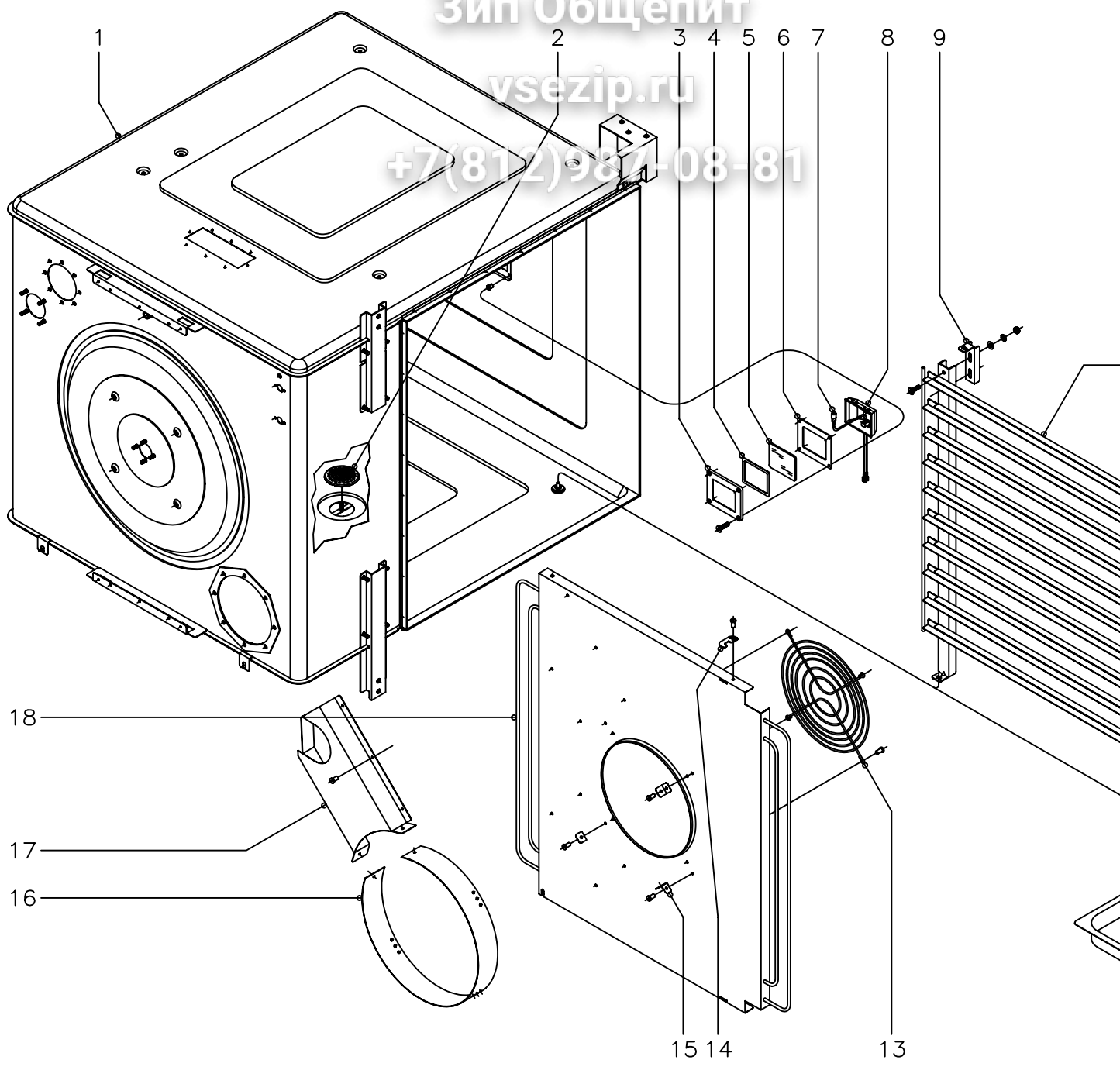
Fecha
2-2005

Aparato
HORNO A GAS HGV-10/21
MUEBLE INTERIOR

Lamina
3

Fagor Industrial S.Coop.
Oñate

FAGOR 



MOD.		HORNO A GAS		ZONA	MUEBLE INTERIOR			
ITEM	CODIGO	DENOMINACION	TEXTO	HGV-10/21				
1	T302600	Cuerpo interior completo	Complete inner body	1				
2	T302625	Filtro desague completo	Complete waste pipe filter	1				
3	T303047	Pletina amarre lampara	Lamp anchoring platen	1				
	Q042022	Tornillo avellanado M-4x15	Countersunk screw M-4x15	4				
	Q222041	Remache exagonal M-4	Hexagonal rivet M-4	4				
4	T303027	Junta interior lampara	Lamp inner joint	1				
5	T303025	Cristal lampara	Lamp glass	1				
6	T303026	Junta exterior lampara	Lamp outer joint	1				
7	R663013	Lampara 10 W., 12 V.	Lamp 10 W, 12 V	1				
8	T303023	Portalamparas	Lamp holder	1				
9	T302660	Suplemento guias	Guide supplement	2				
	Q152004	Tornillo aplastado M-5x13	Flat screw M-5x13	4				
	Q302022	Arandela plana Ø16xØ6x1,2	Flat washer Ø16xØ6x1.2	4				
	Q242030	Arandela abanico A-5	Fan shaped washer A-5	4				
	Q162030	Tuerca exagonal M-5	Hexagonal nut M-5	4				
10	T302620	Conjunto guias derecho	Right guide set	1				
s/n	T302624	Conjunto guias izquierdo	Left guide set	1				
11	R682676	Parrilla de horno G.N.-2/1	Oven grill G.N.-2/1	1				
12	R032605	Bandeja de horno G.N.-2/1, h=40	Oven tray G.N.-2/1, h=40	1				
13	R662661	Proteccion de turbina	Turbine protection	1				
	Q412002	Remache tubular Ø4x7,5	Tubular rivet Ø4x7.5	4				
14	T302635	Enganche cubreventilador	Fan cover fastener	2				
	Q412002	Remache tubular Ø4x7,5	Tubular rivet Ø4x7.5	2				
15	T302643	Fijacion suplemento cubreventilad.	Fan cover suplement bindin	3				
	Q412002	Remache tubular Ø4x7,5	Tubular rivet Ø4x7.5	3				
16	T302642	Suplemento cubreventilador	Fan cover supplement	1				
	Q412002	Remache tubular Ø4x7,5	Tubular rivet Ø4x7.5	3				
17	T302641	Conducto de humos HGV	HGV smoke conduct	1				
	Q412002	Remache tubular Ø4x7,5	Tubular rivet Ø4x7.5	6				

Зип Общепит

vsezip.ru

+7(812)987-08-81

MOD.	HORNO A GAS		ZONA	MUEBLE INTERIOR				
ITEM	CODIGO	DENOMINACION	TEXTO	HGV-10/21				
18	T302633	Cubreventilador completo	Complete fan cover	1				
	T302650	Aislante techo 970x850x20	Roof insulator 970x850x20	3				
	T302650	Aislante base 970x850x20	Base insulator 970x850x20	1				
	T302651	Aislante lateral decho. 890x850x20	Right side insulator 890x850x20	2				
	T302653	Aislante lateral izdo. 1230x900x10	Left side insulator 1230x900x10	1				
	T302654	Aislante lat. Izdo.inferi. 860x160x10	Side insulator Lower left 860x160x10	1				
	T302659	Aislante izdo. motor 265x265x10	Motor left insulator 265x265x10	1				
	T302652	Aislante posterior 970x880x20	Rear insulator 970x880x20	2				
	T302658	Aislante frontal vertical 1000x30x10	Front vertical insulator 1000x30x10	1				
	T322604	Aislante portamand. 1000x120x20	Control insulator 1000x120x20	1				
	T302667	Arandela sujecion aislante	Insulator fixing washer	13				
	Q221026	Clip sujecion rapida D-4	Quick fastening clip D-4	13				

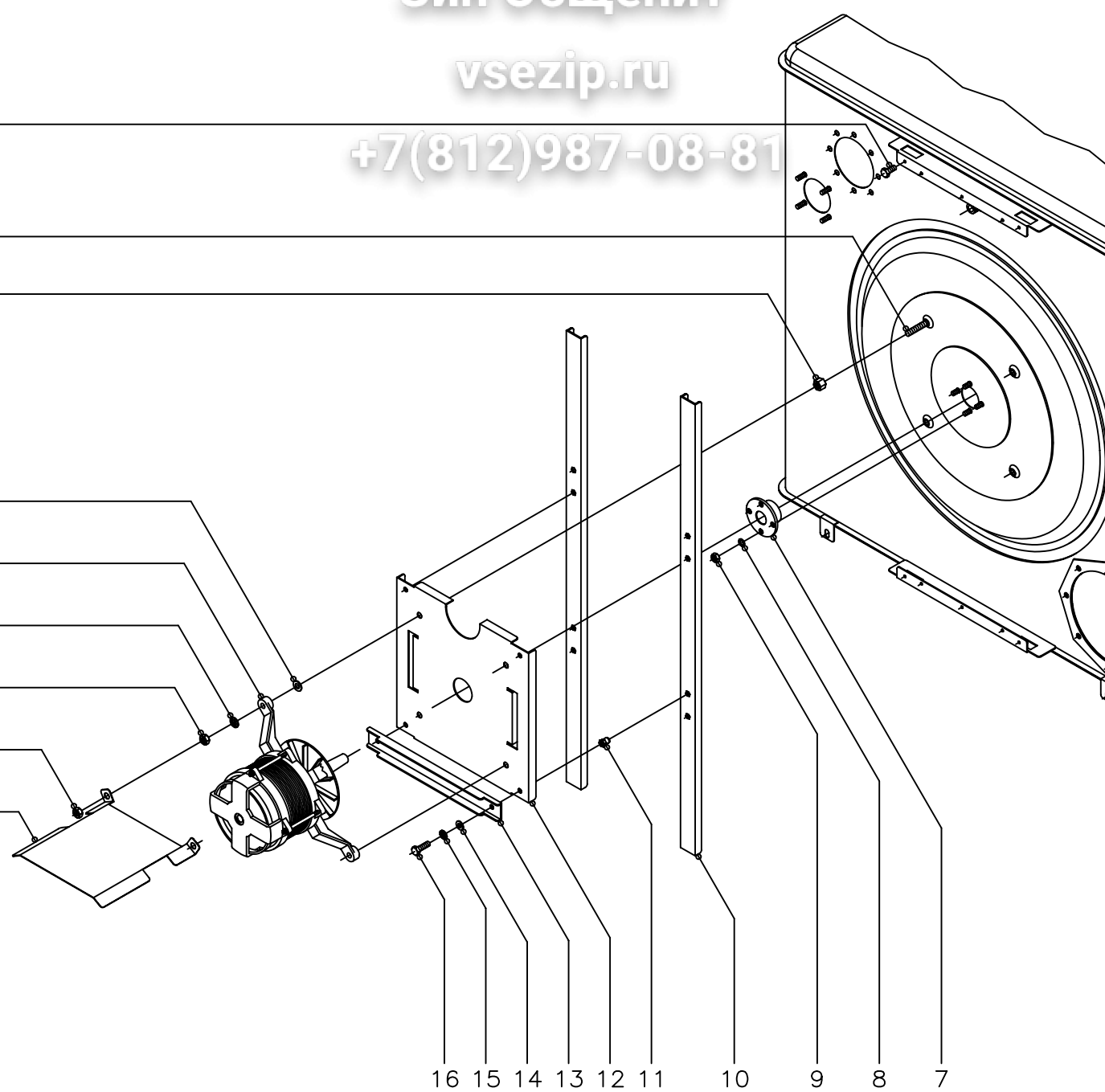
Зип Общепит

vsezip.ru

+7(812)987-08-81

N piano
C-1628
Firma
Fecha
2-2005
Aparato
HORNNO A GAS HGV-10/21
TURBINA
Lamina
4
Fagor Industrial S. Coop.
Omate
FAGOR

25
24
23
22
21
20
19
18
17
16
15
14
13
12
11
10
9
8
7



Зип Общепит

vsezip.ru

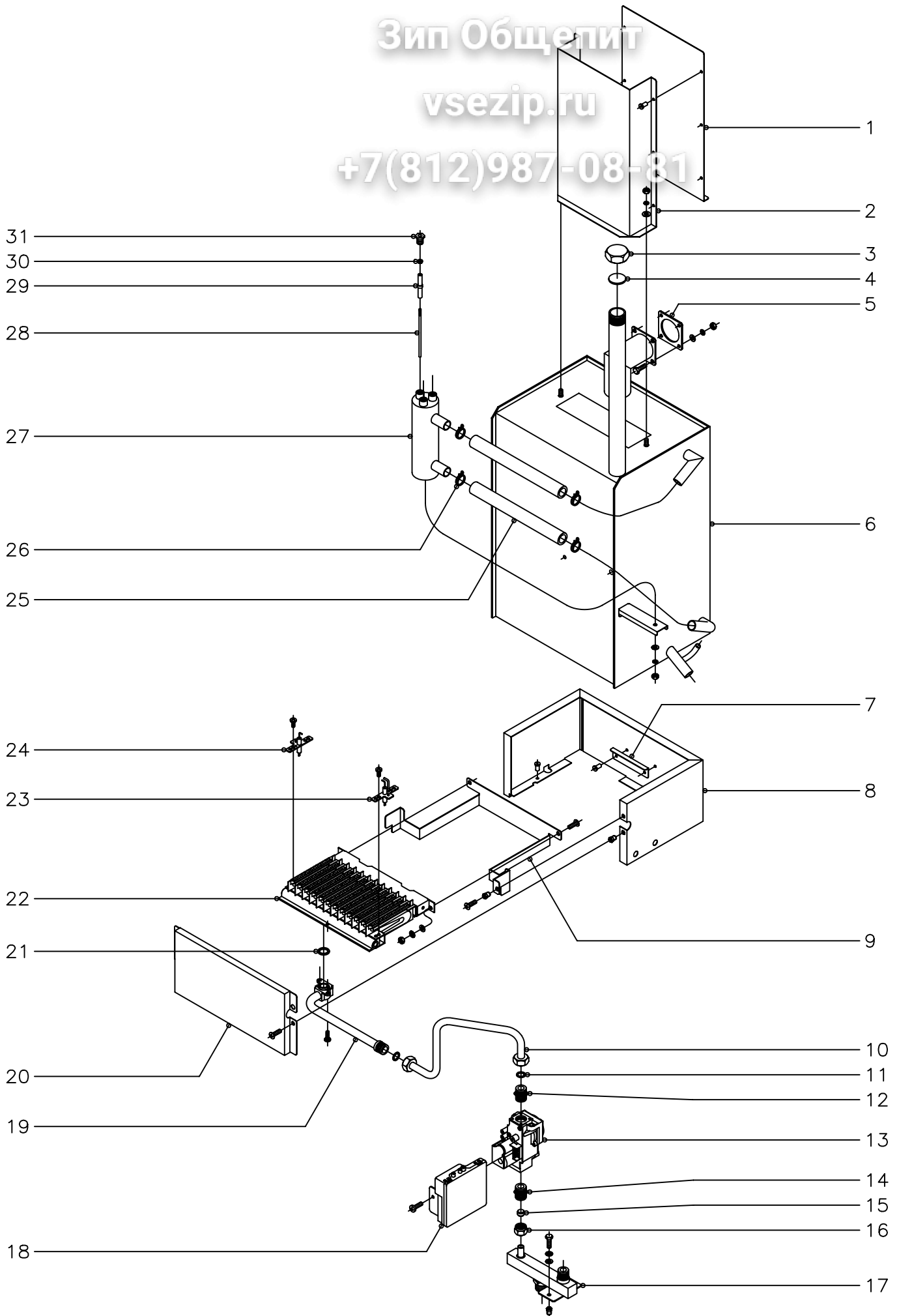
+7(812)987-08-81

MOD.		HORNO A GAS	ZONA	TURBINA			
ITEM	CODIGO	DENOMINACION	TEXTO	HGV-10/21			
1	Q012063	Tornillo exagonal M-10x20	Hexagonal screw M-10x20	1			
2	R763010	Arandela seguridad Hanning	Hanning safety washer	1			
3	T303015	Turbina	Turbine	1			
4	Q302023	Anillo de seguridad Ø 28x1,2	Safety ring Ø 28x1.2	1			
5	R662627	Reten Ø 28xØ 17x7	Retainer Ø 28xØ 17x7	2			
6	-	Costado izquierdo de horno	Left side of oven	1			
7	T302629	Casquillo reten	Bushing retainer	1			
8	Q262040	Arandela grower A-6	Grower washer A-6	4			
9	Q162040	Tuerca exagonal M-6	Hexagonal nut M-6	4			
10	T302628	Perfil soporte motor	Motor holder profile	2			
11	Q221342	Remache exagonal M-5	Hexagonal rivet M-5	4			
12	T302627	Soporte motor	Motor holder	1			
13	T302649	Refuerzo motor	Motor reinforcement	2			
14	Q232030	Arandela plana A-5	Flat washer A-5	4			
15	Q242030	Arandela abanico A-5	Fan shaped washer A-5	4			
16	Q012032	Tornillo exagonal M-5x15	Hexagonal screw M-5x15	4			
17	T302665	Tejadillo motor	Motor roof	1			
18	Q162050	Tuerca exagonal M-8	Hexagonal nut M-8	2			
19	Q162050	Tuerca exagonal M-8	Hexagonal nut M-8	4			
20	Q242050	Arandela abanico A-8	Fan shaped washer A-8	4			
21	T323022	Motor de turbina	Turbine motor	1			
22	Q232050	Arandela plana A-8	Flat washer A-8	4			
23	T302638	Distanciador motor	Motor spacer	4			
24	Q012056	Tornillo exagonal M-8x40	Hexagonal screw M-8x40	4			
25	Q012031	Tornillo exagonal M-5x10	Hexagonal screw M-5x10	4			

Зип Общепит

vsezip.ru

+7(812)987-08-81



N plano C-1629	Firma 	Fecha 2-2005	Aparato GENERADOR DE VAPOR HORNO A GAS HGV-10/21	Lamina 5	Fagor Industrial S.Coop. FAGOR
-------------------	-----------	-----------------	--	-------------	---------------------------------------

MOD.		HORNO A GAS	ZONA	GENERADOR DE VAPOR				
ITEM	CODIGO	DENOMINACION	TEXTO	HGV-10/21				
1	T302637	Posterior chimenea generador	Generator chimney rear	1				
	Q412002	Remache tubular Ø4x7,5	Tubular rivet Ø4x7.5	6				
2	T302636	Anterior chimenea generador	Generator chimney front	1				
	Q302022	Arandela plana Ø16xØ6x1,2	Flat washer Ø16xØ6x1.2	2				
	Q242030	Arandela abanico A-5	Fan shaped washer A-5	2				
	Q162030	Tuerca exagonal M-5	Hexagonal nut M-5	2				
3	R015010	Tuerca tapon 1"	Plug nut 1"	1				
4	R015011	Arandela junta Ø34x3	Joint washer Ø34x3	1				
5	T115037	Junta entrada vapor	Vapour inlet joint	1				
6	T305020	Generador vapor completo	Complete steam generator	1	KIT GENERADOR COMPLETO			
	Q012042	Tornillo exagonal M-6x15	Hexagonal screw M-6x15	4				
	Q232040	Arandela plana A-6	Flat washer A-6	4				
	Q262040	Arandela grower A-6	Grower washer A-6	4				
	Q162040	Tuerca exagonal M-6	Hexagonal nut M-6	4				
	T305057	Aislante posterior generador	Generator back insulator	1				
	T305058	Aislante anterior generador	Generator front insulator	1				
	T115064	Aislante lateral generador	Generator side insulator	1				
	T305059	Aislante lateral derecho	Right side insulator	1				
	T305060	Aislante superior generador	Generator upper insulator	1				
7	T305707	Apoyo quemador	Burner holder	1				
	Q412002	Remache tubular Ø4x7,5	Tubular rivet Ø4x7.5	2				
8	T305704	Caja de quemador	Burner box	1				
	Q412002	Remache tubular Ø4x7,5	Tubular rivet Ø4x7.5	3				
	T305061	Aislante caja quemador	Burner box insulator	1				
9	T305706	Escuadra amarre quemador	Burner anchoring bracket	1				
	Q221342	Remache exagonal M-5	Hexagonal rivet M-5	1				
	Q152004	Tornillo aplastado M-5x13	Flat screw M-5x13	1				
10	T305018	Conduccion gas generador comp.	Comp. generator gas condu	1				
11	Q306012	Arandela junta Ø18xØ13x1,5	Joint washer Ø18xØ13x1.5	2				

MOD.		HORNO A GAS	ZONA	GENERADOR DE VAPOR				
ITEM	CODIGO	DENOMINACION	TEXTO	HGV-10/21				
12	S205023	Manguito doble 1/2"	Double sleeve 1/2"	1				
13	T305054	Valvula generador	Generator valve	1				
14	S205023	Manguito doble 1/2"	Double sleeve 1/2"	1				
15	U055043	Bicono Ø12	Bicone Ø12	1				
16	Q221334	Tuerca 1/2"	Nut 1/2"	1				
17	T305044	Entrada de gas completa	Complete gas inlet	1				
	Q012032	Tornillo exagonal M-5x15	Hexagonal screw M-5x15	2				
	Q242030	Arandela abanico A-5	Fan shaped washer A-5	2				
	Q232030	Arandela plana A-5	Flat washer A-5	2				
	Q221342	Remache exagonal M-5	Hexagonal rivet M-5	2				
18	T303013	Control de encendido	Ignition control	1				
	Q032011	Tornillo alomado M-3x10	Curved screw M-3x10	1				
19	T115713	Acoplador completo	Complete coupler	1				
	Q151320	Tornillo alomado M-4x6	Curved screw M-4x6	2				
20	T305705	Tapa caja quemador	Burner box cover	1				
	Q152004	Tornillo aplastado M-5x13	Flat screw M-5x13	1				
	Q221342	Remache exagonal M-5	Hexagonal rivet M-5	1				
	T305062	Aislante tapa quemador	Burner cover insulator	1				
21	Z955807	Arandela junta de corcho	Cork joint washer	1				
22	Z955801	Quemador CA-16680	Burner CA-16680	1				
	Q042022	Tornillo avellanado M-4x15	Countersunk screw M-4x15	2				
	Q232020	Arandela plana A-4	Flat washer A-4	2				
	Q242020	Arandela abanico A-4	Fan shaped washer A-4	2				
	Q163020	Tuerca exagonal M-4	Hexagonal nut M-4	2				
23	Z955802	Electrodo ignicion	Ignition electrode	1				
	Q153021	Tornillo alomado M-4x10	Curved screw M-4x10	1				
24	Z955803	Electrodo deteccion	Detection electrode	1				
	Q153021	Tornillo alomado M-4x10	Curved screw M-4x10	1				
25	3715600	Tubo silicona Ø26xØ18x250	Silicone tubing Ø26xØ18x250	2				

Зип Ообщепит

vsezip.ru

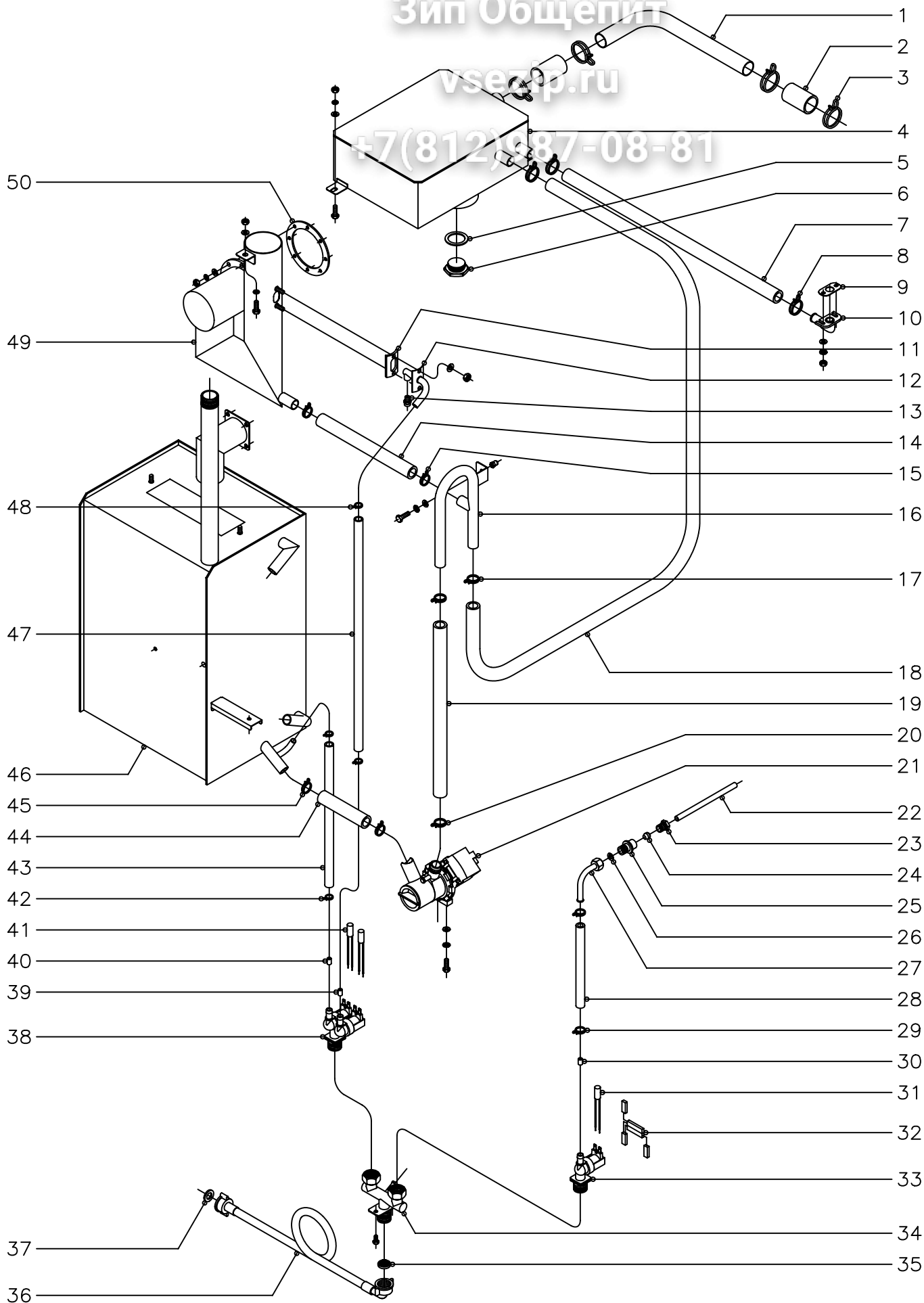
+7(812)987-08-81

MOD.	HORNO A GAS		ZONA	GENERADOR DE VAPOR				
ITEM	CODIGO	DENOMINACION	TEXTO	HGV-10/21				
26	Q901311	Abrazadera elastica Ø26,7 - 28,1	Elastic clamp Ø26.7 - 28.1	4				
27	T325040	Cuerpo niveles completo	Complete levels body	1				
	Q232040	Arandela plana A-6	Flat washer A-6	1				
	Q262040	Arandela grower A-6	Grower washer A-6	1				
	Q162040	Tuerca exagonal M-6	Hexagonal nut M-6	1				
28	R345060	Electrodo nivel alto	High level electrode	1				
	R345063	Electrodo nivel bajo	Low level electrode	1				
	R345064	Electrodo de masa	Earth electrode	1				
29	R345059	Guia aislante de electrodos	Electrode insulator guide	3				
30	Q163020	Tuerca exagonal M-4	Hexagonal nut M-4	6				
31	R345058	Racord amarre electrodos	Electrodes anchoring adapt	3				

Зип Общепит

vsepp.ru

+7(812)987-08-81



Зип Общепит

vsezip.ru

+7(812)987-08-81

MOD.		HORNO A GAS	ZONA	CONDUCCIONES AGUA, VAPOR Y D				
ITEM	CODIGO	DENOMINACION	TEXTO	HGV-10/21				
1	T305075	Conducto desagüe horno	Oven drain conduct	1				
2	3714100	Tubo silicona Ø38xØ31x60	Silicone tubing Ø38xØ31x60	2				
3	Q901307	Abrazadera elastica Ø37,7 - 39,7	Elastic clamp Ø26.7 - 39.7	4				
4	T305072	Caja desagüe completa	Complete drainage box	1				
	Q012042	Tornillo exagonal M-6x15	Hexagonal screw M-6x15	2				
	Q232040	Arandela plana A-6	Flat washer A-6	2				
	Q262040	Arandela grower A-6	Grower washer A-6	2				
	Q162040	Tuerca exagonal M-6	Hexagonal nut M-6	2				
5	T305053	Junta desagüe	Waste pipe joint	1				
6	T305052	Tapon desagüe	Waste pipe plug	1				
7	3715600	Tubo silicona Ø26xØ18x600	Silicone tubing Ø26xØ18x600	1				
8	Q901311	Abrazadera elastica Ø26,7 - 28,1	Elastic clamp Ø26.7 - 28.1	2				
9	T302845	Junta recogeaguas	Water collector joint	1				
10	T302844	Desague recogeaguas	Water collection waste pipe	1				
	Q232030	Arandela plana A-5	Flat washer A-5	2				
	Q242030	Arandela abanico A-5	Fan shaped washer A-5	2				
	Q162030	Tuerca exagonal M-5	Hexagonal nut M-5	2				
11	R725159	Junta tubo inyector	Pipe injector joint	1				
12	T115112	Conduccion vahos completa	Complete vapour conductio	1				
	Q242030	Arandela abanico A-5	Fan shaped washer A-5	2				
	Q162030	Tuerca exagonal M-5	Hexagonal nut M-5	2				
13	T115086	Tobera R.1/8" (Ø1,5)	Nozzle R.1/8" (Ø10.5)	1				
14	3715600	Tubo silicona Ø26xØ18x250	Silicone tubing Ø26xØ18x250	1				
15	Q901311	Abrazadera elastica Ø26,7 - 28,1	Elastic clamp Ø26.7 - 28.1	2				
16	T305019	Conduccion desague general com.	Com. general waste pipe co	1				
17	Q901311	Abrazadera elastica Ø26,7 - 28,1	Elastic clamp Ø26.7 - 28.1	2				
18	3715600	Tubo silicona Ø26xØ18x900	Silicone tubing Ø26xØ18x900	1				
19	3715600	Tubo silicona Ø26xØ18x400	Silicone tubing Ø26xØ18x400	1				
20	Q901311	Abrazadera elastica Ø26,7 - 28,1	Elastic clamp Ø26.7 - 28.1	2				

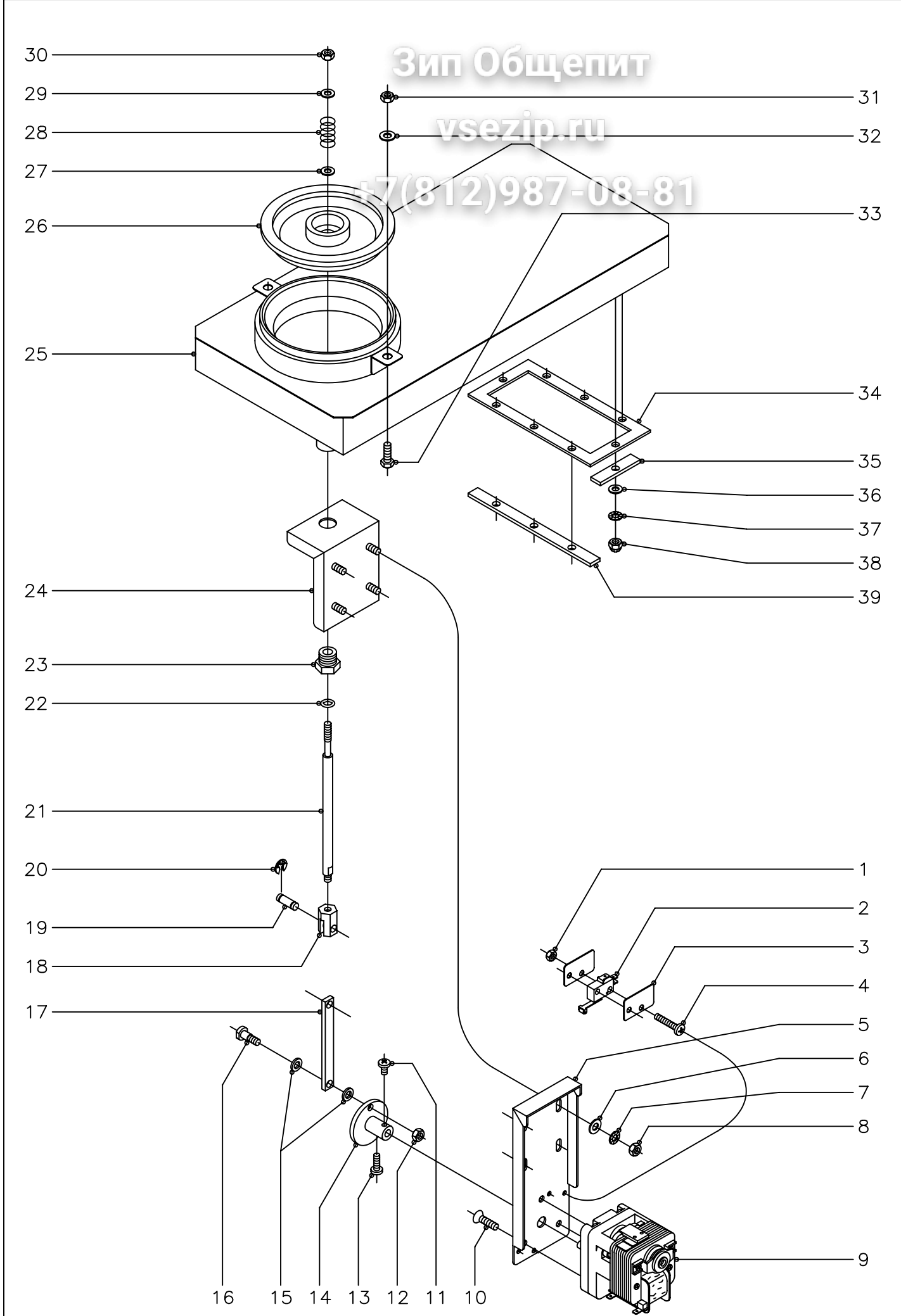
MOD.		HORNO A GAS		ZONA	CONDUCCIONES AGUA, VAPOR Y D			
ITEM	CODIGO	DENOMINACION	TEXTO	HGV-10/21				
21	Z220901	Bomba desague (50Hz.)	Waste pipe pump (50 Hz)	1				
21	Z223501	Bomba desague (60Hz.)	Waste pipe pump (60 Hz)	1				
	Q012032	Tornillo exagonal M-5x15	Hexagonal screw M-5x15	2				
	Q242030	Arandela abanico A-5	Fan shaped washer A-5	2				
	Q232030	Arandela plana A-5	Flat washer A-5	2				
22	R665024	Tubo conduccion inyector	Injector conduction tubing	1				
23	R695003	Manguito cierre	Closing sleeve	1				
24	R695004	Bicono	Bicone	1				
25	-	Casquillo soldado a cuerpo horno	Bushing welded onto oven b	1				
26	Q306026	Arandela junta Ø14xØ8,5x1,5	Seal washer Ø14xØ8.5x1.5	1				
27	R695017	Tubo conduccion agua completo	Complete water conduction	1				
28	3676900	Tubo goma negra Ø17xØ10x900	Black rubber tubing Ø17xØ1	1				
29	Q901310	Abrazadera elastica Ø16,8 - 17,7	Elastic clamp Ø16.8 - 17.7	2				
30	R665041	Regulador caudal 0,25 l./min. (rosa)	Flow regulator 0.25 l/min (pi	1				
31	Z233012	Condensador antiparasitario	Antiparasistic condensor	1				
32	T323027	PTC Electrovalvula 5"	PTC Solenoide valve 5"	1				
33	Z701135	Electrovalvula entrada de agua	Water inlet solenoide valve	1				
34	T305063	Entrada agua completa	Complete water inlet	1				
	Q012021	Tornillo exagonal M-4x10	Hexagonal screw M-4x10	2				
35	Z701132	Filtro-junta entrada de agua	Filter-joint water inlet	1				
36	Z601114	Manguera entrada de agua	Water inlet hose	1				
37	Q307031	Junta manguera Ø24xØ14x3	Hose joint Ø24xØ14x3	1				
38	P255001	Electrovalvula doble	Double solenoide valve	1				
39	P443042	Regulador caudal 3 l./min. (negro)	Flow regulator 3 l/min (black	1				
40	Z601156	Regulador caudal 8 l./min. (rojo)	Flow regulator 8 l/min (red)	1				
41	Z233012	Condensador antiparasitario	Antiparasistic condensor	2				
42	Q901310	Abrazadera elastica Ø16,8 - 17,7	Elastic clamp Ø16.8 - 17.7	2				
43	3676900	Tubo goma negra Ø17xØ10x300	Black rubber tubing Ø17xØ1	1				
44	3715600	Tubo silicona Ø26xØ18x400	Silicone tubing Ø26xØ18x40	1				

MOD.	HORNO A GAS		ZONA	CONDUCCIONES AGUA, VAPOR Y D				
ITEM	CODIGO	DENOMINACION	TEXTO	HGV-10/21				
45	Q901311	Abrazadera elastica Ø26,7 - 28,1	Elastic clamp Ø26.7 - 28.1	2				
46	T305020	Generador vapor completo	Complete steam generator	1	KIT GENERADOR COMPLETO			
47	3676900	Tubo goma negra Ø17xØ10x900	Black rubber tubing Ø17xØ10	1				
48	Q901310	Abrazadera elastica Ø16,8 - 17,7	Elastic clamp Ø16.8 - 17.7	2				
49	T305026	Retorno completo	Complete return	1				
	Q232040	Arandela plana A-6	Flat washer A-6	9				
	Q262040	Arandela grower A-6	Grower washer A-6	9				
	Q162040	Tuerca exgonal M-6	Hexagonal nut M-6	9				
	Q012042	Tornillo exagonal M-6x15	Hexagonal screw M-6x15	1				
50	T305043	Junta de colector	Manifold joint	1				

Зип Общепит

vsezip.ru

+7(812)987-08-81



N plano C-1631	Firma 	Fecha 2-2005	Aparato CIERRE CHIMENEA HORNO A GAS HGV-10/21	Lamina 7	Fagor Industrial S.Coop. FAGOR Onote
-------------------	-----------	-----------------	---	-------------	--

Зип Общепит

vsezip.ru

+7(812)987-08-81

MOD.		HORNO A GAS	ZONA	CIERRE CHIMENEA				
ITEM	CODIGO	DENOMINACION	TEXTO	HGV-10/21				
1	Q221350	Tuerca exagonal autoblocante M-3	Selflocking hexagonal nut M-3	4				
2	R010534	Interruptor puerta	Door switch	2				
3	R010535	Placa separadora	Separating steel sheet	4				
4	Q032013	Tornillo alomado M-3x20	Curved screw M-3x20	4				
5	T135021	Escuadra amarre motor	Motor anchoring bracket	1				
6	Q232040	Arandela plana A-6	Flat washer A-6	4				
7	Q242040	Arandela abanico A-6	Fan shaped washer A-6	4				
8	Q162040	Tuerca exagonal M-6	Hexagonal nut M-6	4				
9	T113010	Motor chimenea	Chimney motor	1				
10	Q042031	Tornillo avellanado M-5x10	Countersunk screw M-5x10	3				
11	Q151320	Tornillo alomado M-4x6	Curved screw M-4x6	1				
12	Q162040	Tuerca exagonal M-6	Hexagonal nut M-6	1				
13	Q032021	Tornillo alomado M-4x10	Curved screw M-4x10	1				
14	T135012	Leva	Cam	1				
15	Q308013	Arandela de teflon Ø14xØ8x2	Teflon washer Ø14xØ8x2	2				
16	T135009	Eje de leva	Cam shaft	1				
17	T135047	Palanca de elevacion	Lifting lever	1				
18	T135045	Suplemento eje retencion	Retaining shaft supplement	1				
19	T135046	Eje guia retencion	Retaining guide shaft	1				
20	Q271033	Arandela de seguridad Ø6	Safety washer Ø6	2				
21	T135044	Eje retencion vapores	Vapour retaining shaft	1				
22	Q307067	Junta torica Ø14,43xØ9,19xØ2,62	O ring Ø14.43xØ9.19xØ2.62	1				
23	R725030	Tuerca guia retencion	Retaining guide nut	1				
24	T135022	Soporte amarre motor completo	Complete motor anchoring bracket	1				
25	T302630	Chimenea completa	Complete chimney	1				
26	T125027	Retencion vapores	Vapour retention	1				
27	Q302022	Arandela plana Ø16xØ6x1,2	Flat washer Ø16xØ6x1.2	1				
28	R725008	Resorte	Spring	1				
29	Q302022	Arandela plana Ø16xØ6x1,2	Flat washer Ø16xØ6x1.2	1				

Зип Общепит

vsezip.ru

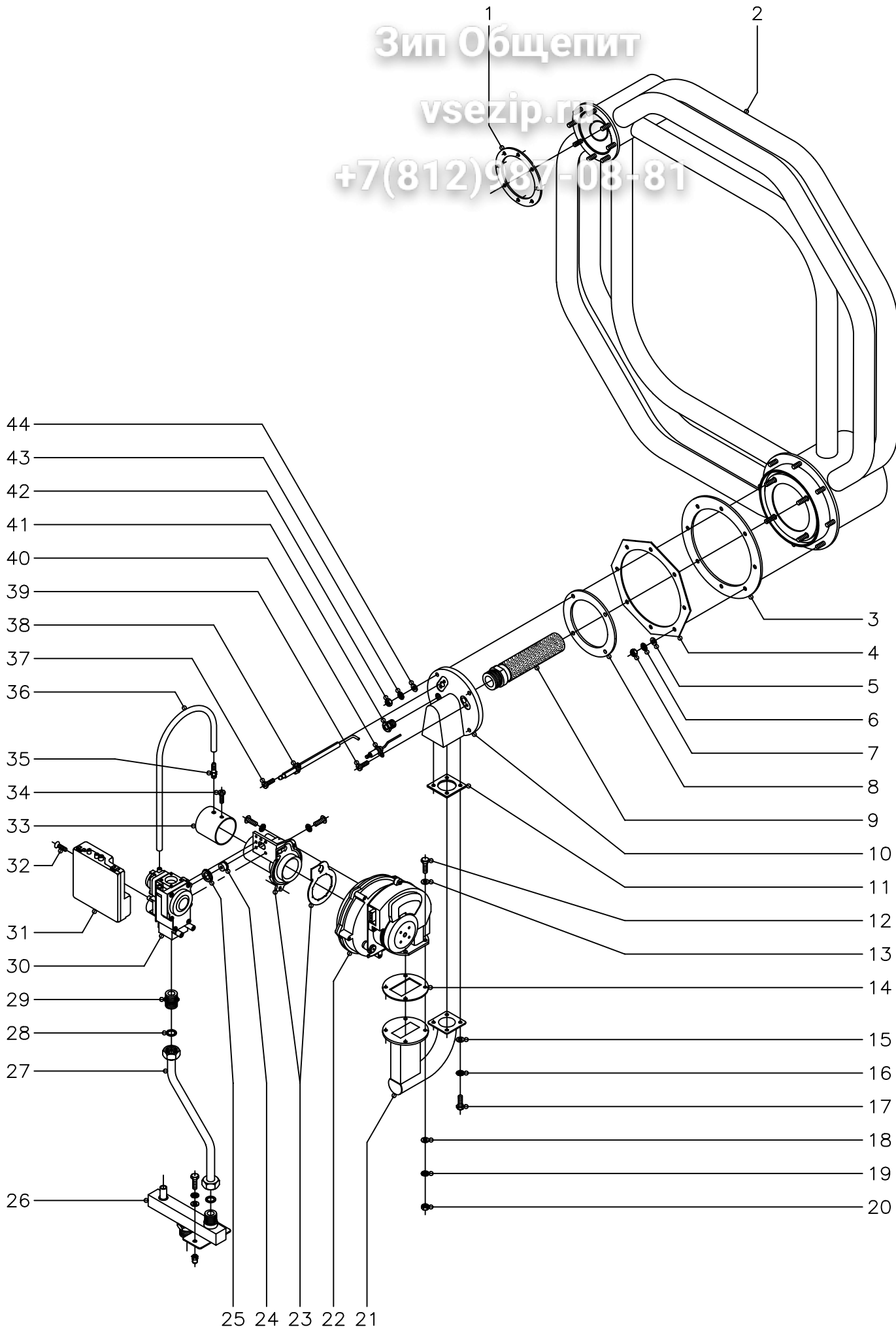
+7(812)987-08-81

MOD.		HORNO A GAS		ZONA	CIERRE CHIMENEA				
ITEM	CODIGO	DENOMINACION	TEXTO		HGV-10/21				
30	Q162040	Tuerca exagonal M-6	Hexagonal nut M-6		2				
31	Q162040	Tuerca exagonal M-6	Hexagonal nut M-6		2				
32	Q302022	Arandela plana Ø16xØ6x1,2	Flat washer Ø16xØ6x1.2		2				
33	Q012042	Tornillo exagonal M-6x15	Hexagonal screw M-6x15		2				
34	T122630	Junta chimenea	Chimney joint		1				
35	T302655	Pletina corta refuerzo inferior	Lower reinforcement short p		2				
36	Q232030	Arandela plana A-5	Flat washer A-5		8				
37	Q242030	Arandela abanico A-5	Fan shaped washer A-5		8				
38	Q213131	Tuerca sombrerete M-5	Cowl nut M-5		8				
39	T122631	Pletina larga refuerzo inferior	Lower reinforcement long p		2				

Зип Общепит

vsezip.ru

+7(812)987-08-81



N plano C-1632	Firma 	Fecha 2-2005	Aparato HORNO A GAS HGV-10/21	PARTE FUNCIONAL GAS	Lamina 8	Fagor Industrial S.Coop. FAGOR
						Oñate

Зип Общепит

vsezip.ru

+7(812)987-08-81

MOD.		HORNO A GAS	ZONA	PARTE FUNCIONAL GAS				
ITEM	CODIGO	DENOMINACION	TEXTO	HGV-10/21				
1	T305043	Junta de colector	Manifold joint	1				
2	T305700	Intercambiador completo	Complete heat exchanger	1				
3	R725051	Junta camara combustion	Combustion chamber joint	1				
4	-	Brida amarre camara combustion	Combustion chamber anchor	1				
5	Q232040	Arandela plana A-6	Flat washer A-6	8				
6	Q262040	Arandela grower A-6	Grower washer A-6	8				
7	Q163040	Tuerca exagonal M-6	Hexagonal nut M-6	8				
8	R725055	Junta de tapa principal	Main cover joint	1				
9	T115710	Quemador Furigas	Furigas burner	1				
10	T115782	Tapa principal	Main cover	1				
11	T305041	Junta tapa principal-conducto	Main cover-conduct joint	1				
12	Q012043	Tornillo exagonal M-6x20	Hexagonal screw M-6x20	4				
13	Q232040	Arandela plana A-6	Flat washer A-6	4				
14	T305042	Junta ventilador	Fan joint	1				
15	Q232030	Arandela plana A-5	Flat washer A-5	4				
16	Q242030	Arandela abanico A-5	Fan shaped washer A-5	4				
17	Q012032	Tornillo exagonal M-5x15	Hexagonal screw M-5x15	4				
18	Q232040	Arandela plana A-6	Flat washer A-6	4				
19	Q242030	Arandela abanico A-6	Fan shaped washer A-6	4				
20	Q163040	Tuerca exagonal M-6	Hexagonal nut M-6	4				
21	T305035	Conducto tapa principal	Main cover conduct	1				
22	T303016	Ventilador RG-130	Fan RG-130	1				
23	T303040	Venturi	Venturi	1				
	-	Junta venturi-ventilador	Venturi-fan joint	1				
	Q242030	Arandela abanico A-5	Fan shaped washer A-5	2				
	Q152004	Tornillo aplastado M-5x13	Flat screw M-5x13	2				
24	T305068	Tobera VK41, Ø4,8 (Buta.-Propa.)	Nozzle VK41, Ø4.8 (Buta.-F	1				
24	T305069	Tobera VK41, Ø6 (Gas Natural)	Nozzle VK41, Ø6 (Natural	1				
25	T303046	Junta venturi 24x15,5	Venturi joint 24x150.5	1				

Зип Общепит

vsezip.ru

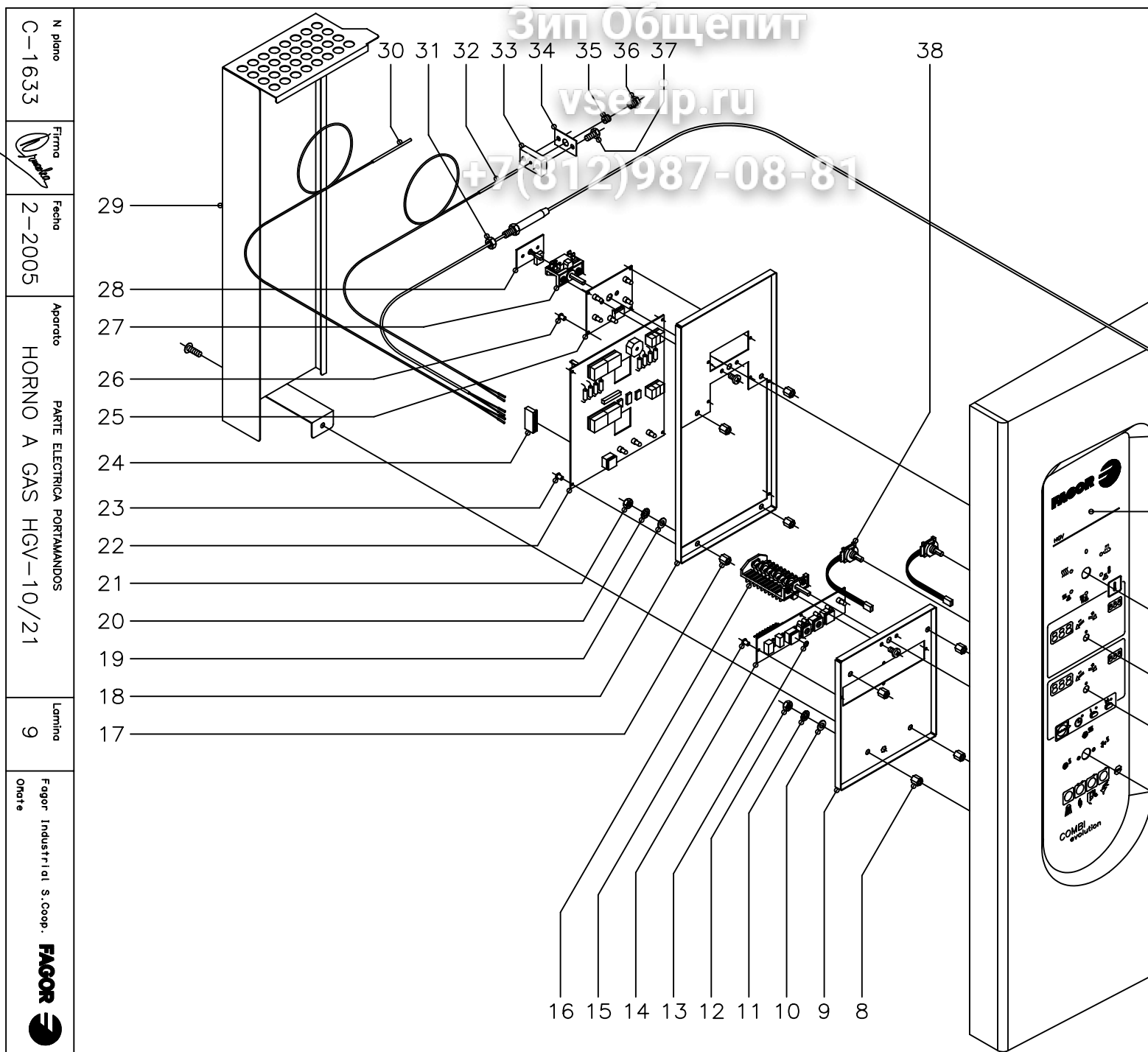
+7(812)987-08-81

MOD.		HORNO A GAS	ZONA	PARTE FUNCIONAL GAS				
ITEM	CODIGO	DENOMINACION	TEXTO	HGV-10/21				
26	T305044	Entrada de gas completa	Complete gas inlet	1				
	Q012032	Tornillo exagonal M-5x15	Hexagonal screw M-5x15	2				
	Q242030	Arandela abanico A-5	Fan shaped washer A-5	2				
	Q232030	Arandela plana A-5	Flat washer A-5	2				
	Q221342	Remache exagonal M-5	Hexagonal rivet M-5	2				
27	T305015	Conduccion gas camara completa	Complete chamber gas con	1				
28	Q306012	Arandela junta Ø18xØ13x1,5	Joint washer Ø18xØ13x1.5	2				
29	S205023	Manguito doble 1/2"	Double sleeve 1/2"	1				
30	T303017	Valvula VK-4115 V-1121	Valve VK-4115 V-1121	1				
	Q242030	Arandela abanico A-5	Fan shaped washer A-5	3				
	Q152004	Tornillo aplastado M-5x13	Flat screw M-5x13	3				
31	T303013	Control de encendido	Ignition control	1				
32	Q032011	Tornillo alomado M-3x10	Curved screw M-3x10	1				
33	T305712	Tubo ventilador completo	Complete ventilating tubing	1				
34	Q032021	Tornillo alomado M-4x10	Curved screw M-4x10	1				
35	R725077	Boquilla conexión	Connection nozzle	1				
36	3702400	Tubo goma negra Ø8xØ4x200	Black rubber tubing Ø8xØ4x	1				
37	Q153021	Tornillo alomado M-4x10	Curved screw M-4x10	2				
38	T115781	Electrodo de ignicion	Ignition electrode	1				
39	Q153021	Tornillo alomado M-4x10	Curved screw M-4x10	1				
40	T115712	Electrodo de deteccion	Detection electrode	1				
41	R725015	Visor de encendido	Ignition sight	1				
42	Q163040	Tuerca exagonal M-6	Hexagonal nut M-6	4				
43	Q242030	Arandela abanico A-6	Fan shaped washer A-6	4				
44	Q232040	Arandela plana A-6	Flat washer A-6	4				

Зип Общепит

vsezip.ru

+7(812)987-08-81



N plano
C-1633

Firma

Fecha
2-2005

Aparato
PARTE ELECTRICA PORTAMANDOS
HORNO A GAS HGV-10/21

Lamina
9

Fagor Industrial S.Coop.
OMOTE

Зип Общепит

vsezip.ru

+7(812)987-08-81

MOD.		HORNO A GAS	ZONA	PARTE ELECTRICA PORTAMANDOS				
ITEM	CODIGO	DENOMINACION	TEXTO	HGV-10/21				
1	T302808	Panel portamandos	Control panel	1				
2	T303000	Serigrafia HGV-10 / 21	Serigraphy HGV-10 / 21	1				
3	R663046	Junta conmutador	Switch joint	2				
4	T303010	Boton de mando completo	Complete control button	2				
5	-	Arandela (viene con tuerca M-10)	Washer (comes with M-10 r	2				
6	Z953041	Tuerca exagonal M-10	Hexagonal nut M-10	2				
7	T303011	Boton de mando completo	Complete control button	2				
8	T302829	Distanciador componentes	Components spacer	4				
9	T303021	Soporte circuitos	Circuit holder	1				
10	Q232030	Arandela plana A-5	Flat washer A-5	4				
11	Q242030	Arandela abanico A-5	Fan shaped washer A-5	4				
12	Q163030	Tuerca exagonal M-5	Hexagonal nut M-5	4				
13	R663056	Bapipons autoadesivo	Self adhesive bubipons	4				
14	T303019	Circuito teclado	Key board circuit	1				
15	R663036	Fijacion circuito	Circuit bindings	4				
16	R663026	Conmutador de funciones	Function switch	1				
	Q151320	Tornillo alomado M-4x6	Curved screw M-4x6	2				
17	T302829	Distanciador componentes	Components spacer	4				
18	T302826	Soporte componentes	Components holder	1				
19	Q232030	Arandela plana A-5	Flat washer A-5	4				
20	Q242030	Arandela abanico A-5	Fan shaped washer A-5	4				
21	Q163030	Tuerca exagonal M-5	Hexagonal nut M-5	4				
22	T303005	Controlador	Controller	1				
23	R663036	Fijacion circuito	Circuit bindings	4				
24	T303045	Conector paso 3,96mm. 8 vias	Lead connector 3.96 mm 8	1				
25	T303018	Circuito de leds visualizador	Display leds circuit	1				
26	R663036	Fijacion circuito	Circuit bindings	4				
27	T303004	Conmutador acople potenciometro	Potentiometer coupling swit	1				
	Q151320	Tornillo alomado M-4x6	Curved screw M-4x6	2				

Зип Общепит

vsezip.ru

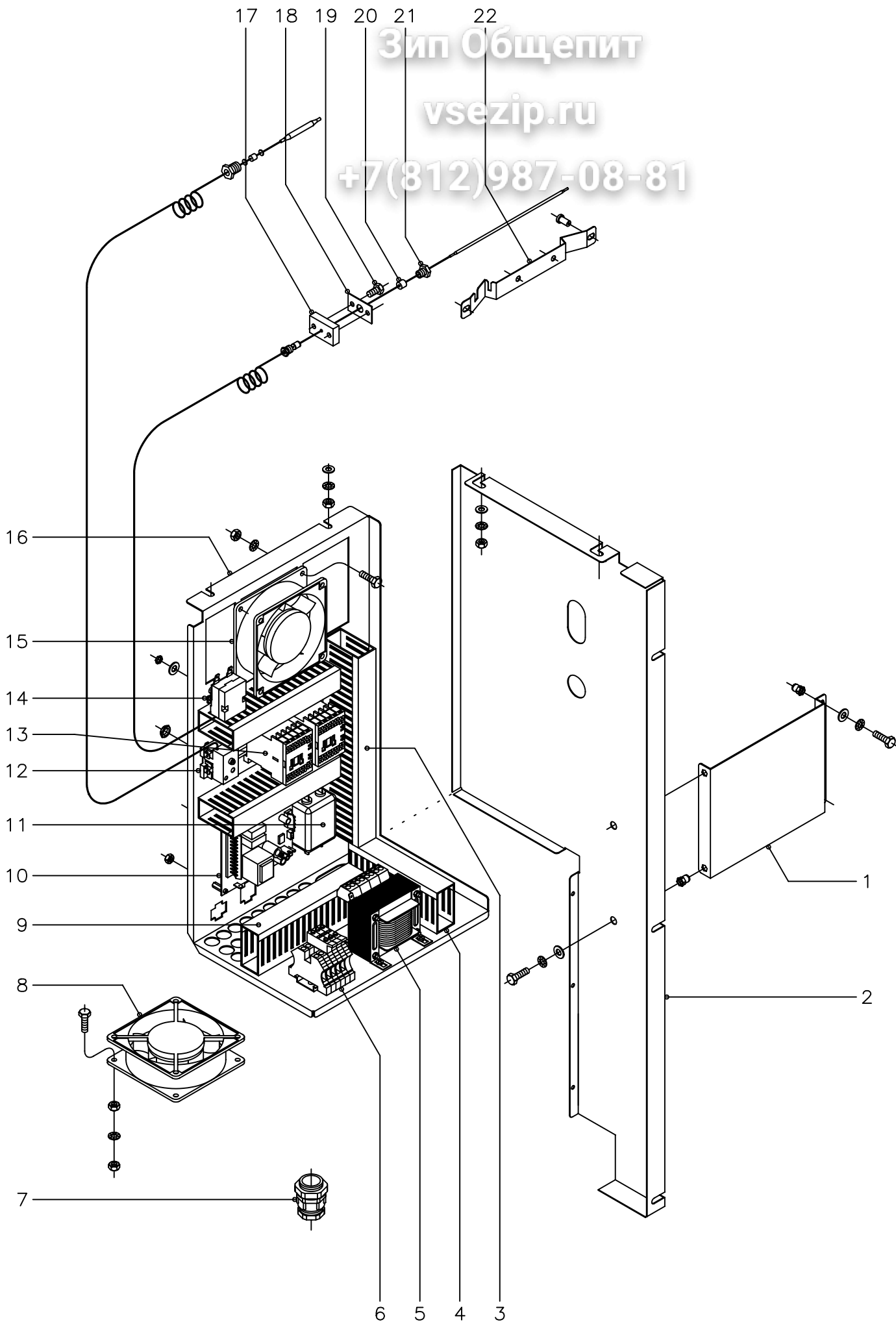
+7(812)987-08-81

MOD.	HORNO A GAS	ZONA	PARTE ELECTRICA PORTAMANO					
ITEM	CODIGO	DENOMINACION	TEXTO	HGV-10/21				
28	T303020	Circuito potenciómetro	Potentiometer circuit	1				
29	T303039	Protección circuitos	Circuit protection	1				
	Q152004	Tornillo aplastado M-5x13	Flat screw M-5x13	1				
30	T323024	Conjunto termopar vapor L=1600	Vapour thermocouple set G	1				
31	Q162050	Tuerca hexagonal M-8x1	Hexagonal nut M-8x1	1				
32	T323011	Conjunto termopar cámara L=700	Chamber thermocouple set	1				
33	T112625	Base cierre sonda (pasamuros)	Probe closing base (wire pr	1				
34	R692812	Junta pasamuros	Wire protection joint	1				
35	R662652	Bicóno cierre sonda	Probe closing bicone	1				
36	R662629	Racord cierre sonda	Probe closing adaptor	1				
37	Q012021	Tornillo hexagonal M-4x10	Hexagonal screw M-4x10	2				
38	T303022	Selector encoder	Encoder selector	2				
39	T302644	Soporte sonda	Probe holder	1				
	Q232030	Arandela plana A-5	Flat washer A-5	2				
	Q242030	Arandela abanico A-5	Fan shaped washer A-5	2				
	Q212031	Tuerca sombrerete M-5	Cowl nut M-5	2				
40	T303007	Conjunto sonda núcleo	Core probe set	1				
41	T302646	Tensor pincho completo	Complete spike tensor	1				
	Q232030	Arandela plana A-5	Flat washer A-5	2				
	Q242030	Arandela abanico A-5	Fan shaped washer A-5	2				
	Q212031	Tuerca sombrerete M-5	Cowl nut M-5	2				

Зип Общепит

vsezip.ru

+7(812)987-08-81



N plano C-1634	Firma 	Fecha 2-2005	Aparato CUADRO ELECTRICO HORNO A GAS HGV-10/21	Lamina 10	Fagor Industrial S.Coop. FAGOR
-------------------	-----------	-----------------	--	--------------	---------------------------------------

Зип Общепит

vsezip.ru

+7(812)987-08-81

MOD.		HORNO A GAS	ZONA	CUADRO ELECTRICO				
ITEM	CODIGO	DENOMINACION	TEXTO	HGV-10/21				
1	T303051	Soporte cierre cuadro electrico	Switchboard closing holder	1				
	Q012032	Tornillo exagonal M-5x15	Hexagonal screw M-5x15	2				
	Q242030	Arandela abanico A-5	Fan shaped washer A-5	2				
	Q302022	Arandela plana Ø16xØ6x1,2	Flat washer Ø16xØ6x1.2	2				
	Q221342	Remache exagonal M-5	Hexagonal rivet M-5	2				
2	T303002	Cierre cuadro electrico	Switchboard closing	1				
	Q012032	Tornillo exagonal M-5x15	Hexagonal screw M-5x15	2				
	Q242030	Arandela abanico A-5	Fan shaped washer A-5	2				
	Q302022	Arandela plana Ø16xØ6x1,2	Flat washer Ø16xØ6x1.2	2				
	Q221342	Remache exagonal M-5	Hexagonal rivet M-5	2				
	Q302022	Arandela plana Ø16xØ6x1,2	Flat washer Ø16xØ6x1.2	2				
	Q242030	Arandela abanico A-6	Fan shaped washer A-6	2				
	Q163040	Tuerca exagonal M-6	Hexagonal nut M-6	2				
3	3715520	Canaleta unex 30x60x270	Unex feed through 30x60x270	1				
4	3715520	Canaleta unex 30x60x150	Unex feed through 30x60x150	1				
	Q412002	Remache tubular Ø4x7,5	Tubular rivet Ø4x7.5	2				
5	R503005	Transformador	Transformer	1				
	Q032021	Tornillo alomado M-4x10	Curved screw M-4x10	4				
	Q242020	Arandela abanico A-4	Fan shaped washer A-4	4				
	Q162020	Tuerca exagonal M-4	Hexagonal nut M-4	4				
6	Z263303	Tope final 10	End buffer 10	1				
	R073005	Borna portafusible	Fuse carrier connection	3				
	P184011	Cartucho portafusible 4A.	Fuse holder cartridge 4A.	3				
	Z263302	Borne paso 10 azul	Blue connector lead 10 blue	1				
	P453026	Borne tierra 10 amarillo-verde	Earth connector 10 yellow-green	1				
	Z123018	Guia contactor L=55	Contacteur guide G=55	1				
	Q412002	Remache tubular Ø4x7,5	Tubular rivet Ø4x7.5	2				
7	R073004	prensaestopas	Stuffing box	1				
8	Z103066	Ventilador 230V., 50/60 Hz.	Fan 230 V, 50/60 Hz	1				

MOD.		HORNO A GAS	ZONA	CUADRO ELECTRICO				
ITEM	CODIGO	DENOMINACION	TEXTO	HGV-10/21				
	Q013023	Tornillo exagonal M-4x20	Hexagonal screw M-4x20	4				
	Q242020	Arandela abanico A-4	Fan shaped washer A-4	4				
	Q162020	Tuerca exagonal M-4	Hexagonal nut M-4	8				
9	3715520	Canaleta unex 30x60x180	Unex feed through 30x60x180	3				
10	T303048	Variador hornos gas 4V	4V gas ovens variator	1				
	T133007	Distanciador M-3	Spacer M-3	4				
	T133008	Tornillo amarre M-3x22	Anchoring screw M-3x22	4				
	Q161310	Tuerca exagonal M-3	Hexagonal nut M-3	4				
11	T113023	Filtro de entrada	Inlet filter	1				
12	Z953035	Termostato limitador aviso	Warning limiter thermostat	1				
	Z953041	Tuerca exagonal M-10x1	Hexagonal nut M-10x1	1				
13	Z743009	Contactador sirius 3RT10, 16-2APO2	Sirius 3RT10, 16-2APO2 co	2				
	Z103084	Guia contactor L=138	Contactore guide G=138	1				
	Q412002	Remache tubular Ø4x7,5	Tubular rivet Ø4x7.5	2				
14	T303009	Termostato limitador	Limiter thermostat	1				
	Q232050	Arandela plana A-8	Flat washer A-8	1				
	Q162050	Tuerca exagonal M-8	Hexagonal nut M-8	1				
15	Z103066	Ventilador 230V., 50/60 Hz.	Fan 230 V, 50/60 Hz	1				
	Q012021	Tornillo exagonal M-4x10	Hexagonal screw M-4x10	4				
	Q242020	Arandela abanico A-4	Fan shaped washer A-4	4				
	Q162020	Tuerca exagonal M-4	Hexagonal nut M-4	4				
16	T303001	Panel cuadro electrico	Switchboard panel	1				
	Q302022	Arandela plana Ø16xØ6x1,2	Flat washer Ø16xØ6x1.2	2				
	Q242030	Arandela abanico A-6	Fan shaped washer A-6	2				
	Q163040	Tuerca exagonal M-6	Hexagonal nut M-6	2				
17	T112625	Base cierre sonda (pasamuros)	Probe closing base (wire pr	1				
18	R692812	Junta pasamuros	Wire protection joint	1				
19	Q012021	Tornillo exagonal M-4x10	Hexagonal screw M-4x10	2				
20	R662662	Junta cierre bulbo limitador	Limiting bulb closing joint	1				

Зип Общепит

vsezip.ru

+7(812)987-08-81

MOD.	HORNO A GAS		ZONA	CUADRO ELECTRICO				
ITEM	CODIGO	DENOMINACION	TEXTO	HGV-10/21				
21	R662629	Racord cierre sonda	Probe closing adaptor	1				
22	R662683	Soporte bulbo limitador	Limiting bulb holder	1				
	Q412002	Remache tubular Ø4x7,5	Tubular rivet Ø4x7.5	3				

MOD.	HORNO A GAS	ZONA	VARIOS					
ITEM	CODIGO	DENOMINACION	TEXTO	HGV-10/21				
	T306500	Manual de instrucciones	Instructions manual	1				
	T306501	Manual de instrucciones	Instructions manual	1				
	T306502	Manual de instrucciones	Instructions manual	1				
	T306503	Manual de instrucciones	Instructions manual	1				
	T306504	Manual de instrucciones	Instructions manual	1				
	T303038	Esquema electrico adhesivo	Adhesive electrical diagram	1				
	T303042	Leyenda esquema electrico	Electrical diagram legend	1				
	T303044	Plano electrico de montaje	Assembly electrical diagram	1				
	T303053	Union contactores de inversion	Inversion contactors joint	1				
	T303033	Cableado variador - soplante	Variator wiring - blower	1				
	T303031	Cableado luz interior	Inner light wiring	1				
	T303028	Cableado control circuito de leds	Leds circuit control wiring	1				
	T303032	Instalacion electrica HGV-10/21	Electrical insallation HGV-10	1				
	T303034	Cable encendido camara	Chamber ignition cable	1				
	T303035	Cable detector de llama en camara	Chamber flame detector cal	1				
	T303036	Cable encendido caldera	Boiler ignition cable	1				
	T303037	Cable detector de llama en caldera	Chamber flame detector cal	1				
	T303030	Cableado potenciometro	Potentiometer wiring	1				

Зип Общепит

vsezip.ru

+7(812)987-08-81

MOD.	HORNO A GAS		ZONA	CAMBIOS A REALIZAR PARA PASAR DE (380			
ITEM	CODIGO	DENOMINACION	TEXTO	HGV-10/21			
		<u>PIEZAS A ELIMINAR</u>	<u>PARTS TO BE REMOVED</u>				
21	T323022	Motor de turbina 400 V.	Turbine motor 400 V	1			
	T326502	Etiqueta 380 - 415 V. 50 Hz.	Label 380 - 415 V 50 Hz	1			
		<u>PIEZAS A INTRODUCIR</u>	<u>PARTS TO BE INCLUDED</u>				
21	T323023	Motor de turbina 230 V.	Turbine motor 230 V	1			
	T326503	Etiqueta 220 V. 50 Hz.	Label 220 V 50 Hz	1			

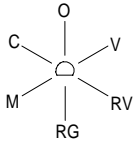
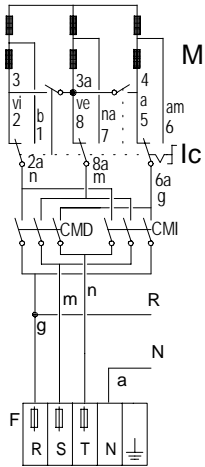
Зип Общепит

vsezip.ru

+7(812)987-08-81

MOD.		HORNO A GAS	ZONA	CAMBIOS A REALIZAR PARA LA VERSI				
ITEM	CODIGO	DENOMINACION	TEXTO	HGV-10/21	VG-10/21			
<u>PIEZAS A ELIMINAR</u>			<u>PARTS TO BE REMOVED</u>					
32	T303000	Serigrafia HGV-10 / 21	Serigraphy HGV-10 / 21	1	-			
	T306500	Manual de instrucciones	Instructions manual	1	-			
	T306501	Manual de instrucciones	Instructions manual	1	-			
	T306502	Manual de instrucciones	Instructions manual	1	-			
	T306503	Manual de instrucciones	Instructions manual	1	-			
	T306504	Manual de instrucciones	Instructions manual	1	-			
<u>PIEZAS A INTRODUCIR</u>			<u>PARTS TO BE INCLUDED</u>					
32	T303054	Serigrafia VAUBAN	VAUBAN serigraphy	-	1			
	T306510	Manual de instrucciones VAUBAN	VAUBAN instructions manu	-	1			

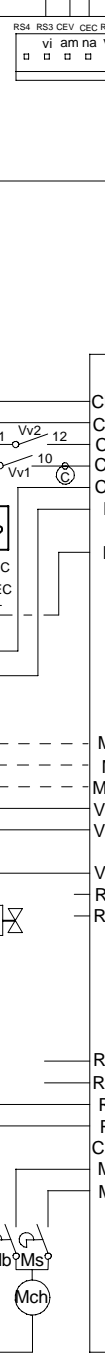
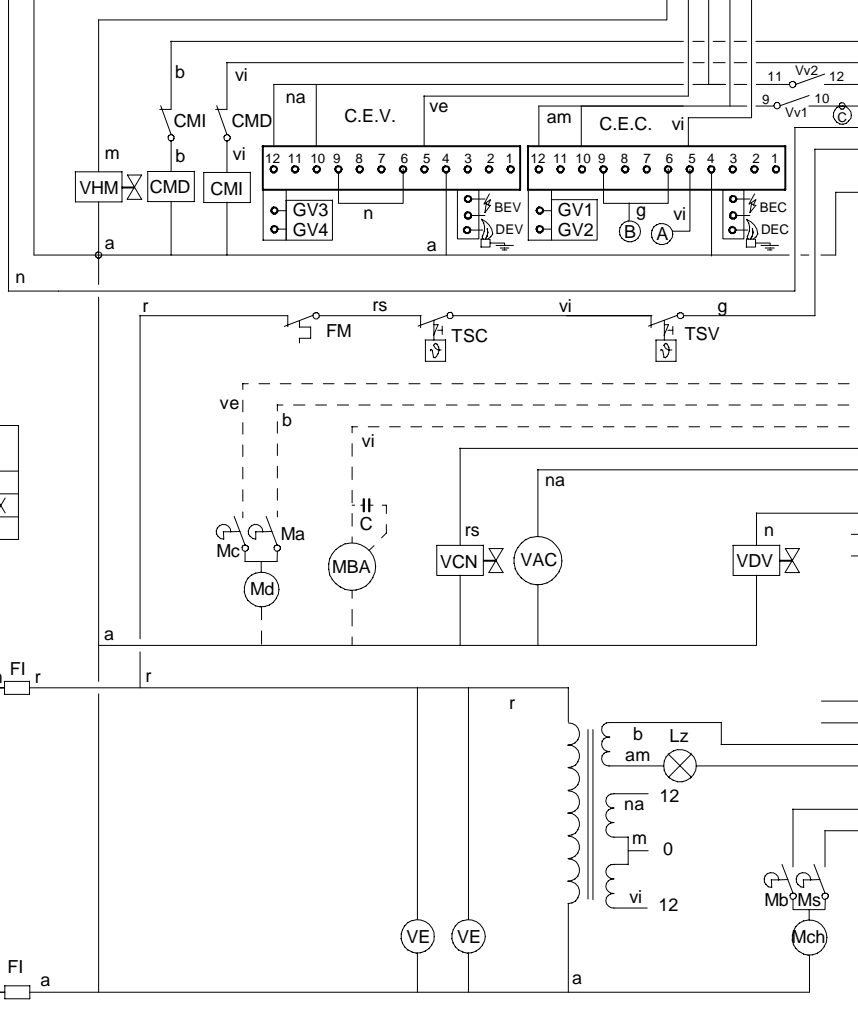
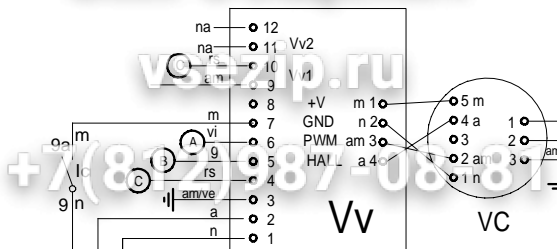
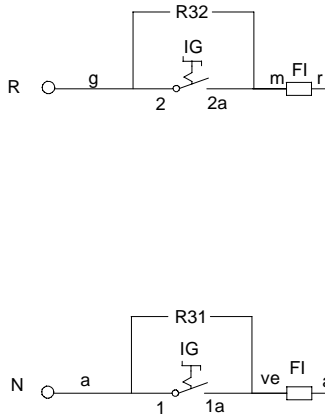
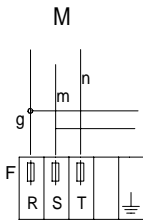
3 ~ 400V



Modo	IG	
	1 1a	2 2a
OFF		
VAPOR	X	X
REG. VAPOR	X	X
REGENERAC.	X	X
MIXTO	X	X
CONVECCION	X	X

IC	1	2	3	4	5	6	7	8	9
	1a	2a	3a	4a	5a	6a	7a	8a	9a
	X		X	X		X	X		
	X		X	X		X	X		X
		X			X		X		

3 ~ 220V

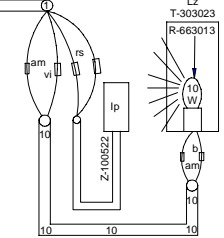
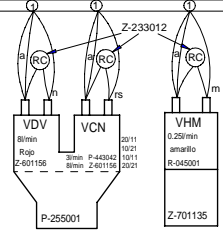
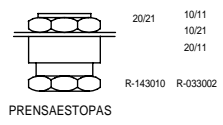
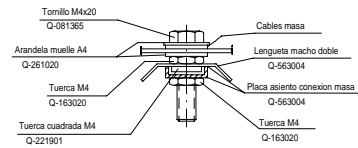
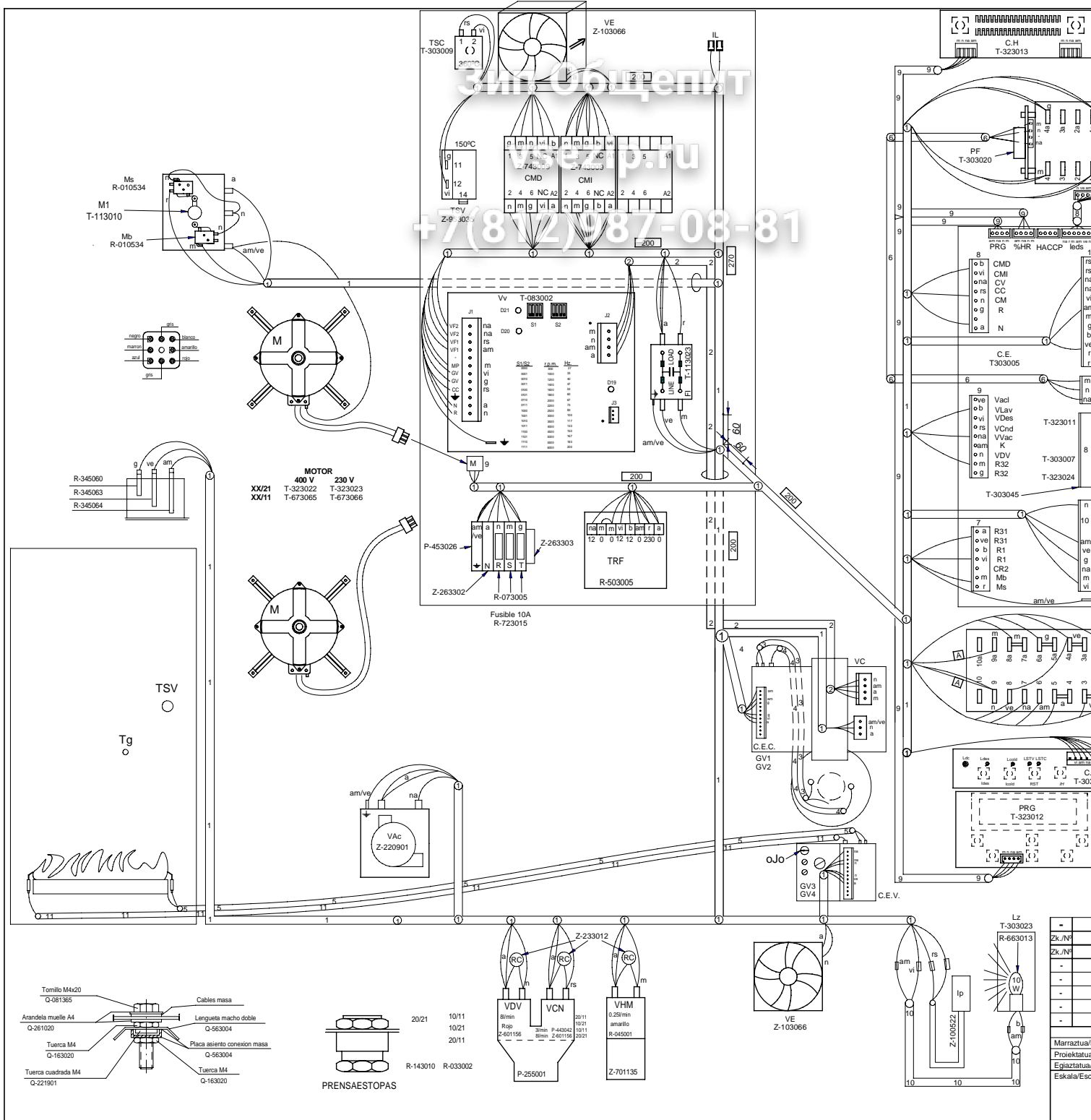


	ESPAÑOL	FRANÇAIS	ENGLISH	DEUTSCH
BEC =	Bujía Encendido Cámara	Bougie Allumage Chambre	Chamber Spark Plug	Zündkerze Einschalten Garraum
BEV =	Bujía Encendido Caldera	Bougie Allumage Chaudière	Boiler Spark Plug	Zündkerze Einschalten Boiler
C.E.C =	Control Combustión Cámara	Contrôle Combustion Chambre	Chamber Combustion Control	Steuerung Verbrennung Garraum
C.E.G =	Control Electrónico General	Contrôle Electronique Général	Main Electronic Control	Steuerung Elektronik allgemein
C.E.V =	Control Combustión Caldera	Contrôle Combustion Chaudière	Boiler Combustion Control	Steuerung Verbrennung Boiler
C.H =	Circuito Humedad	Circuit Humidité	Humidity Circuit	Kreislauf Feuchtigkeit
C.L =	Circuito Leds	Circuit LEDs	Led Circuit	Kreislauf LEDs
C.T =	Circuito Teclado	Circuit Clavier	Keypad Circuit	Kreislauf Tastatur
CC1,CC2 =	Contacto Resistencia Cámara	Contacteur Élément Chauffant Chambre	Chamber Heating Element Contactor	Schutz Heizwiderstand Garraum
CMD =	Contacto Motor Derecha	Contacteur Moteur Droite	Right Engine Contactor	Schutz Motor rechts
CMI =	Contacto Motor Izquierda	Contacteur Moteur Gauche	Left Engine Contactor	Schutz Motor links
CR2 =	Rele Arranque	Relais Démarrage	Starting Relay	Relais Anlauf
CV1, CV2 =	Contacto Resistencias Caldera	Contacteur Élément chauffant Chaudière	Boiler Heating Element Contactor	Schutz Heizwiderstand Boiler
DEC =	Detector Llama Cámara	Détecteur Flamme Chambre	Chamber Flame Detector	Flammendetektor Garraum
DEV =	Detector Llama Caldera	Détecteur Flamme Chaudière	Boiler Flame Detector	Flammendetektor Boiler
DN =	Detector Nivel Caldera	Détecteur Niveau Chaudière	Boiler Level Detector	Pegeldetektor Boiler
EM =	Encoder Selector Tiempo	Encodeur Sélecteur Temps	Time Selector Encoder	Encoder Zeitwahlschalter
E°C =	Encoder Selector Temperatura	Encodeur Sélecteur Température	Temperature Selector Encoder	Encoder Temperaturwahlschalter
F =	Fusibles	Fusibles	Fuses	Sicherungen
FI =	Filtro Interferencias	Filter Interférences	Interference Filter	Störungsfilter
FM =	Térmico Motor	Thermique Moteur	Thermal Engine	Thermoschalter Motor
GV1, GV2 =	Electro válvula Gas Cámara	Électrovanne Gaz Chambre	Chamber Gas Solenoid Valve	Elektroventil Gas Garraum
GV3, GV4 =	Electro válvula Gas Caldera	Électrovanne Gaz Chaudière	Boiler Gas Solenoid Valve	Elektroventil Gas Boiler
IC =	Selector Velocidad Potencia	Sélecteur Vitesse Puissance	Power Speed Selector	Wahlschalter Geschwindigkeit
IG =	Interruptor General	Interrupteur Général	Main Switch	Hauptschalter
IL =	Interruptor Seguridad Lavado	Interrupteur Sécurité Lavage	Washing Safety Switch	Sicherheitsschalter Waschen
Ip =	Interruptor Seguridad Puerta	Interrupteur Sécurité Porte	Door Safety Switch	Sicherheitsschalter Tür
K1,K2,CK1,CK2=	Rele Resistencia	Relais Élément Chauffant	Heating Element Relay	Relais Heizwiderstand
Lz =	Luz Interior	Eclairage Intérieur	Inner Light	Innenbeleuchtung
M, M1, M2 =	Motor Turbina	Moteur Turbine	Turbine Engine	Motor Turbine
Mch =	Motor Chimenea	Moteur Cheminée	Stack Engine	Motor Abluftkamin
Md =	Motor Válvula	Moteur vanne	Valve Engine	Motor Ventil
MBA =	Bomba Lavado	Pompe Lavage	Washing Pump	Waschenpumpe
Mb =	Interruptor Micro Bajada	Microrupteur Descente	Drop Microswitch	Mikroschalter Senken
Ms =	Interruptor Micro Subida	Microrupteur Montée	Rise Microswitch	Mikroschalter Heben
PF =	Potenciometro Selector Funciones	Potentiomètre Sélecteur Fonctions	Functions Selector Potentiometer	Potentiometer Funktionswahlschalter
PRG =	Programador	Programmeur	Programmer	Programmievorrichtung
RC =	Resistencias Cámara	Éléments Chauffants Chambre	Chamber Heating Element	Heizwiderstände Garraum
RV =	Resistencias Caldera	Éléments Chauffants Chaudière	Boiler Heating Element	Heizwiderstände Boiler
Tc =	Sonda Cámara	Sonde Chambre	Chamber Probe	Sonde Garraum
TCN =	Termostato Condensación	Thermostat Condensation	Condensation Thermostat	Thermostat Kondensierung
Tg =	Sonda Caldera	Sonde Chaudière	Boiler Probe	Sonde Boiler
TH =	Sonda Humedad	Sonde Humidité	Humidity Probe	Sonde Feuchtigkeit
Tn =	Sonda Núcleo	Sonde Noyau	Core Probe	Kerntemperaturmesssonde
TRF =	Transformador	Transformateur	Transformer	Transformator
TSC =	Termostato Seguridad Cámara	Thermostat Sécurité Chambre	Chamber Safety Thermostat	Sicherheitsthermostat Garraum
TSV =	Termostato Seguridad Caldera	Thermostat Sécurité Chaudière	Boiler Safety Thermostat	Sicherheitsthermostat Boiler
Tv =	Sonda Vapor	Sonde Vapeur	Steam Probe	Sonde Dampf
VAC =	Bomba Vaciado	Pompe Vidange	Vacuum Pump	Ablasspumpe
VAcI =	Electro válvula Aclarado	Électrovanne Rinçage	Rinsing Solenoid Valve	Elektroventil Klarspülen
VC =	Ventilador Soplante	Ventilateur Soufflant	Blowing Fan	Ventilator Gebläse
VCN =	Electro válvula Condensación	Électrovanne Condensation	Condensation Solenoid Valve	Elektroventil Kondensierung
VDV =	Electro válvula Llenado Caldera	Électrovanne Remplissage Chaudière	Chamber Filling Solenoid Valve	Elektroventil Füllung Boiler
VE =	Ventilador Cuadro Eléctrico	Ventilateur Tableau Électrique	Fan Switchboard	Ventilator Elektrotafel
VHM =	Electro válvula Humidificador	Électrovanne Humidificateur	Humidifier Solenoid Valve	Elektroventil Befeuchtungsvorrichtung
VLav =	Electro válvula Lavado	Électrovanne Lavage	Washing Solenoid Valve	Elektroventil Waschen
Vv =	Variador Velocidad	Variateur Vitesse	Speed Variator	Geschwindigkeitsregler
COLOR	COLORES	COULEURS	COLOUR	FARBEN
Va =	Azul	Bleu	Blue	Blau
am =	Amarillo	Jaune	Yellow	Gelb
am/ve =	Amarillo/verde	Jaune / vert	Yellow / green	Gelb/grün
b =	Blanco	Blanc	White	Weiß
g =	Gris	Gris	Grey	Grau
m =	Marrón	Marron	Brown	Braun
n =	Negro	Noir	Black	Schwarz
na =	Naranja	Orange	Orange	Orange
r =	Rojó	Rouge	Red	Rot
rs =	Rosa	Rose	Pink	Rosa
ve =	Verde	Vert	Green	Grün
vi =	Violeta	Violet	Purple	Violett

LEYENDA HORNO

370666666

7(812)87-08-81



-	-
Zk./Nº	
Zk./Nº	
-	
-	
-	

Marratzua/D
 Proiektatua/E
 Egiaztatua/C
 Eskala/Esca