

Зип Общепит

DESPIECE TECNICO

vsezip.ru

+7(812)987-08-81

**Hornos Mixtos
Fours Mixtes
Combi Ovens
HeiBluftdämpfer
Forno Misti**

Modelos:

HGV-10/11

HGV-20/11

Febrero 2008 February

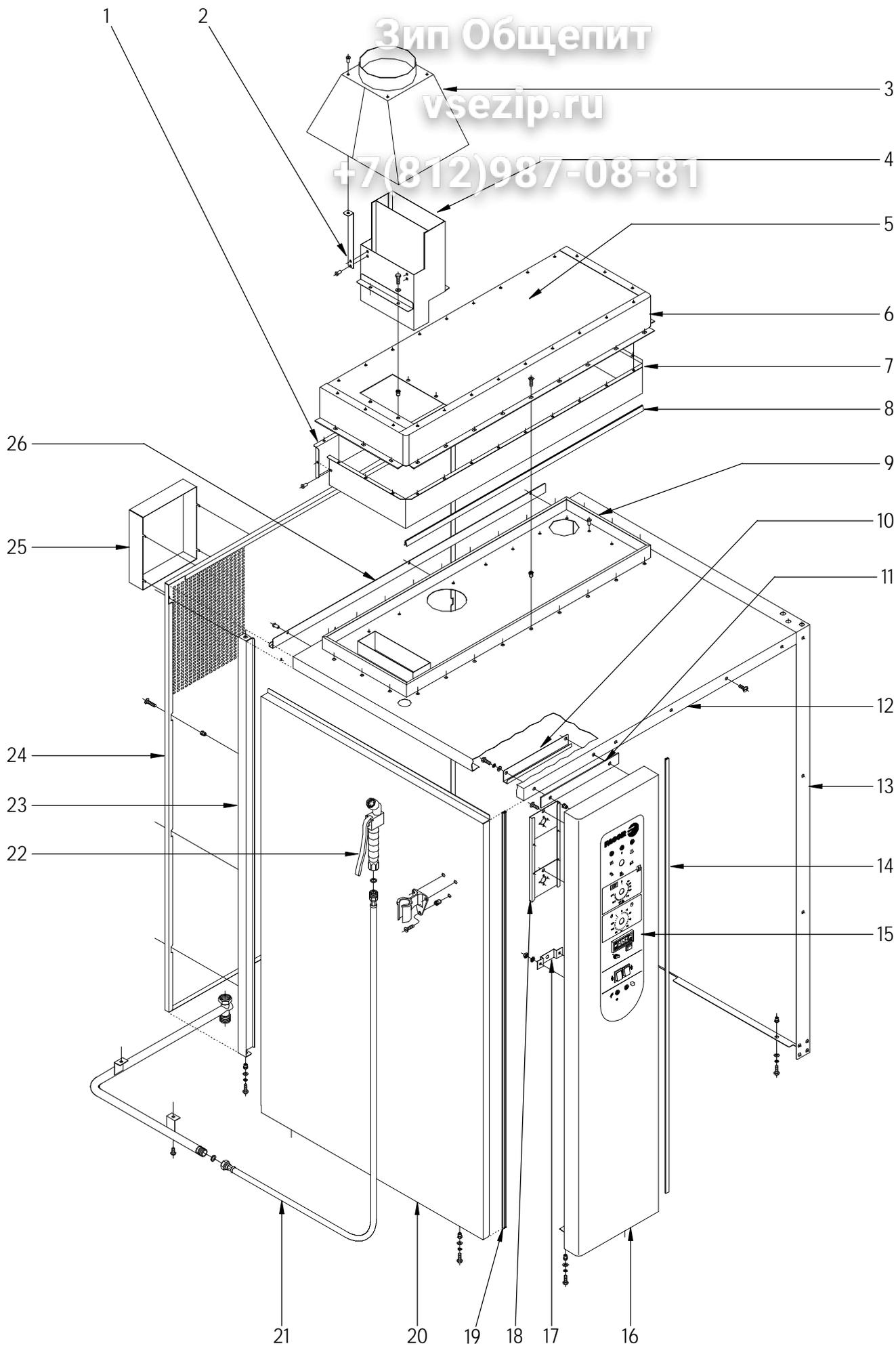
FAGOR 

Fagor Industrial

Зип Общепит

vsezip.ru

+7(812)987-08-81



N plano	Firma	Fecha	Aparato	MUEBLE	Lamina	Fagor Industrial S.Coop. FAGOR
C-1969	<i>[Signature]</i>	2008-02	HORNOS HGV-10/11; 20/11		1	Oñate

Зип Общепит

vsezip.ru

+7(812)987-08-81

MOD.		HORNOS		MUEBLE	
ITEM	CODIGO	DENOMINACION	TEXTO	HGV-10/11	HGV-20/11
1	T112809000	POSTERIOR CAMARA COLECTOR	REAR MANIFOLD CHAMBER	1	1
	Q412002000	REMACHE AVINOX Ø4x10MM	RIVET AVINOX Ø4x10MM	11	11
2	T112815000	SOPORTE CHIMENEA HVG/HGV	FLUEPIPE SUPPORT HVG/HGV	4	4
	Q412002000	REMACHE AVINOX Ø4x10MM	RIVET AVINOX Ø4x10MM	12	12
3	T122820000	CHIMENEA EXTERIOR COMPLETA	COMPLETE EXTERIOR FLUEPIPE	1	1
4	T122816000	SALIDA COLECTOR COMPLETA	COMPLETE MANIFOLD OUTPUT	1	1
	Q221342000	REMACHE EXAGONAL M5	HEXAGONAL RIVET M5	4	4
	Q232030000	ARANDELA A5	WASHER A5	4	4
	Q012031000	TORNILLO EXAGONAL M5X10 A.304	HEXAGONAL BOLT M5X10 A.304	4	4
5	T112805000	POSTERIOR DE COLECTOR	MANIFOLD REAR SECTION	1	1
6	T112806000	ANTERIOR DE COLECTOR	MANIFOLD FRONT SECTION	1	1
	Q221342000	REMACHE EXAGONAL M5	HEXAGONAL RIVET M5	24	24
	Q152004000	TORNILLO APLASTADO M5X13	FLAT HEAD SCREW M5X13	24	24
7	T112808000	ANTERIOR CAMARA COLECTOR	FRONT MANIFOLD CHAMBER	1	1
	Q412002000	REMACHE AVINOX Ø4x10MM	RIVET AVINOX Ø4x10MM	15	15
8	3715200000	JUNTA CRISTAL	WINDOW SEAL	1	1
9	T112822000	BANDEJA COLECTOR HVG-10/11	MANIFOLD TRAY HVG-10/11	1	—
9	T132811000	BANDEJA COLECTOR HVG-20/11	MANIFOLD TRAY HVG-20/11	—	1
	Q412002000	REMACHE AVINOX Ø4x10MM	RIVET AVINOX Ø4x10MM	20	20
10	T302834000	CANALETA PORTAMANDOS	CONTROL HOLDER PIPE	1	1
11	T132823000	JUNTA DE PORTAMANDOS	CONTROL HOLDER SEAL	1	1
12.13	T112842000	CUERPO EXTERIOR DE HORNO	OVEN EXTERIOR BODY	1	—
12	T132833000	PANEL SUPERIOR HGV-2011	UPPER PANEL HGV-2011	—	1
	Q221343000	REMACHE EXAGONAL M6	HEXAGONAL RIVET M6	17	4
	Q232040000	ARANDELA A6	WASHER A6	25	4
	Q262040000	ARANDELAGROW. A6 A.304	WASHER GROW. A6 A.304	25	4
	Q012042000	TORNILLO EXAGONAL M6X15	HEXAGONAL BOLT M6x15	25	4
	Q152017000	TORNILLO AMARRE M6X13 A304	FASTENING BOLT M6X13 A304	5	7
13	T132802000	PANEL LATERAL DCHO. HVG 20/11	RIGHT SIDE PANEL HVG 20/11	—	1
14	3715400000	JUNTA PANEL PORTAMANDOS	SEAL CONTROL HOLDER PANEL	1	1
15	T113083000	SERIGRAFIA HGV-10/11 20/11	SERIGRAPHY HGV-10/11 20/11	1	1

Зип Общепит

vsezip.ru

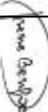
+7(812)987-08-81

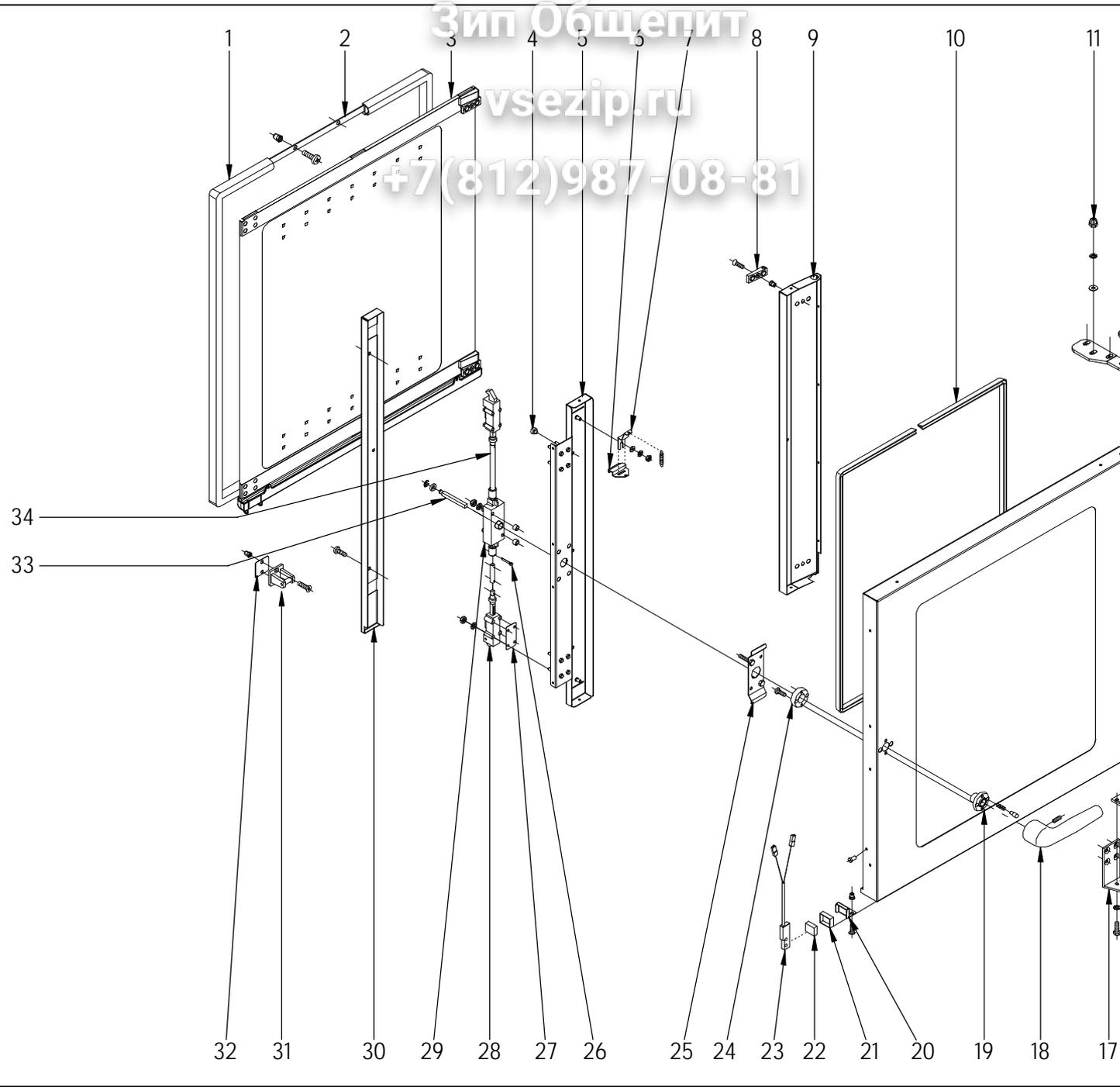
MOD.		HORNOS		MUEBLE	
ITEM	CODIGO	DENOMINACION	TEXTO	HGV-10/11	HGV-20/11
16	T112849000	PORTAMANDOS COMP. HGV-10/11	COMP. CONTROL HOLDER HGV-	1	-
16	T132830000	PORTAMANDOS COMP. HGV-20/11	COMP. CONTROL HOLDER HGV-	-	1
	Q221343000	REMACHE EXAGONAL M6	HEXAGONAL RIVET M6	4	4
	Q232040000	ARANDELA A6	WASHER A6	4	4
	Q262040000	ARANDELAGROW. A6 A.304	WASHER GROW. A6 A.304	4	4
	Q012042000	TORNILLO EXAGONAL M6X15	HEXAGONAL BOLT M6x15	4	4
17	Z952911000	SOPORTE LIMITADOR	LIMITER SUPPORT	1	1
	Q232030000	ARANDELA A5	WASHER A5	2	2
	Q242030000	ARANDELA ABANICO A5 A.304	FAN WASHER A5 A.304	2	2
	Q162030000	TUERCA EXAGONAL M5	HEXAGONAL NUT M5	2	2
18	T112812000	SOPORTE COMPONENTES HVG	COMPONENTS SUPPORT HVG	1	1
	Q152004000	TORNILLO APLASTADO M5X13	FLAT HEAD SCREW M5X13	2	2
19	3715400000	JUNTA PANEL PORTAMANDOS	SEAL CONTROL HOLDER PANEL	1	1
20	T112817000	PANEL LATERAL ANTERIOR	FRONT SIDE PANEL	1	-
20	T132801000	PANEL LATERAL IZQUIERDO	LEFT SIDE PANEL	-	1
	Q221343000	REMACHE EXAGONAL M6	HEXAGONAL RIVET M6	4	4
	Q232040000	ARANDELA A6	WASHER A6	4	4
	Q262040000	ARANDELA GROW. A6 A.304	WASHER GROW. A6 A.304	4	4
	Q012042000	TORNILLO EXAGONAL M6x15	HEXAGONAL BOLT M6x15	4	4
21	R675002000	SUPLEMENTO DUCHA COMPLETA	COMPLETE SHOWER SUPPLEME	1	-
21	T135031000	SUPLEMENTO DUCHA HVG-20/11	SHOWER SUPPLEMENT HVG-20/	-	1
	Q306039000	ARANDELA JUNTA 23,8x16,2x1,5	WASHER SEAL 23.8X16.2X1.5	1	1
	Q012042000	TORNILLO EXAGONAL M6x15	HEXAGONAL BOLT M6x15	1	1
22	R095009000	DUCHA COMPLETA	COMPLETE SHOWER	1	1
	Q042022000	TORNILLO AVELLANADO M4X15	COUNTERSUNK BOLT M4x15	3	3
23	T112818000	PANEL LATERAL POSTERIOR	REAR SIDE PANEL	1	-
23	T132804000	POSTE APOYO PANEL	PANEL SUPPORT POST	-	1
	Q012042000	TORNILLO EXAGONAL M6x15	HEXAGONAL BOLT M6x15	2	2
	Q262040000	ARAND.GROW. A6 A.304	WASHER GROW. A6 A.304	2	2
	Q232040000	ARANDELA A6	WASHER A6	2	2
	Q221343000	REMACHE EXAGONAL M6	HEXAGONAL RIVET M6	2	2

Зип Общепит

vsezip.ru

+7(812)987-08-81

N. plano	C-1970
Firma	
Fecha	2008-02
Aparato	HORNO HGV-10/11
PUERTA	
Lamina	2
Fagor Industrial S. Coop.	
Orfe	



Зип Общепит

vsezip.ru

+7(812)987-08-81

MOD.	HORNOS	ZONA	PUERTA				
ITEM	CODIGO	DENOMINACION	TEXTO	HGV-10/11			
	1100003131	KIT PUERTA 10/11 COMPLETA	DOOR KIT 10/11 COMPLETE	1			
1	R670500000	JUNTA DE PUERTA 10-11	DOOR SEAL 10-11	1			
2	R670513000	FIJACION JUNTA COMPLETA 10-11	COMPLETE SEAL ATTACHMENT	1			
	Q032021000	TORNILLO ALOMADO M4X10	CURVED SCREW M4X10	28			
	Q222041000	REMACHE EXAGONAL M4 (INOX)	HEXAGONAL RIVET M4 (INOX)	28			
3	1100003132	KIT CRISTAL INTER. 10/11 COMPL.	INTER. GLASS KIT 10/11 COMPL	1			
4	R670617000	TOPE CRISTAL INTERIOR 10/11	INTERIOR GLASS BUFFER 10/11	6			
5	R670633000	CONTRAPUERTA MANILLA 10/11	DOOR REVERSE HANDLE 10/11	1			
6	R670613000	PESTILLO 10/11	LATCH 10/11	2			
7	R670612000	BASE DE PESTILLO	LATCH BASE	2			
	Q302022000	ARANDELA 16X6X1.2 A.304	WASHER 16X6X1.2 A.304	2			
	Q162040000	TUERCA EXAGONAL M6	HEXAGONAL NUT M6	2			
	Q242040000	ARANDELA ABANICO A6 A.304	FAN WASHER A6 A.304	2			
	R660605000	MUELLE TENSOR	TENSIONING SPRING	2			
8	R670615000	BASE DE BISAGRA	HINGE BASE	2			
	Q222011000	REMACHE EXAGONAL M.5	HEXAGONAL RIVET M.5	2			
	Q042032000	TORNILLO AVELLANADO M5X15	COUNTERSUNK BOLT M5x15	2			
9	R670631000	CONTRAPUERTA BISAGRA 10/11	DOOR REVERSE HINGE 10/11	1			
10	3715200000	JUNTA CRISTAL	WINDOW SEAL	2			
11	Q212051000	TUERCA SOMBRERETE M8	COWL NUT M8	3			
	Q242050000	ARANDELA ABANICO A8 A.304	FAN WASHER A8 A.304	3			
	Q302025000	ARANDELA 8,4x20x1,5 A.304	WASHER 8.4x20x1.5 A.304	3			
12	Q012042000	TORNILLO EXAGONAL M6x15	HEXAGONAL BOLT M6x15	1			
	Q242040000	ARANDELA ABANICO A6 A.304	FAN WASHER A6 A.304	1			
	R662807000	ARANDELA AMARRE	ANCHORAGE WASHER	1			
13	T130500000	BISAGRA SUPERIOR	UPPER HINGE	1			
	R660534000	EJE SUPERIOR	UPPER SHAFT	1			
	Z850519000	RESORTE 06329	SPRING 06329	1			
14	R670629000	PANEL PUERTA 10-11	DOOR PANEL 10-11	1			
	Q412002000	REMACHE AVINOX Ø4x10MM	RIVET AVINOX Ø4x10MM	14			
15	R670627000	CRISTAL EXTERIOR 10/11	EXTERIOR GLASS 10/11	1			

Зип Общепит

vsezip.ru

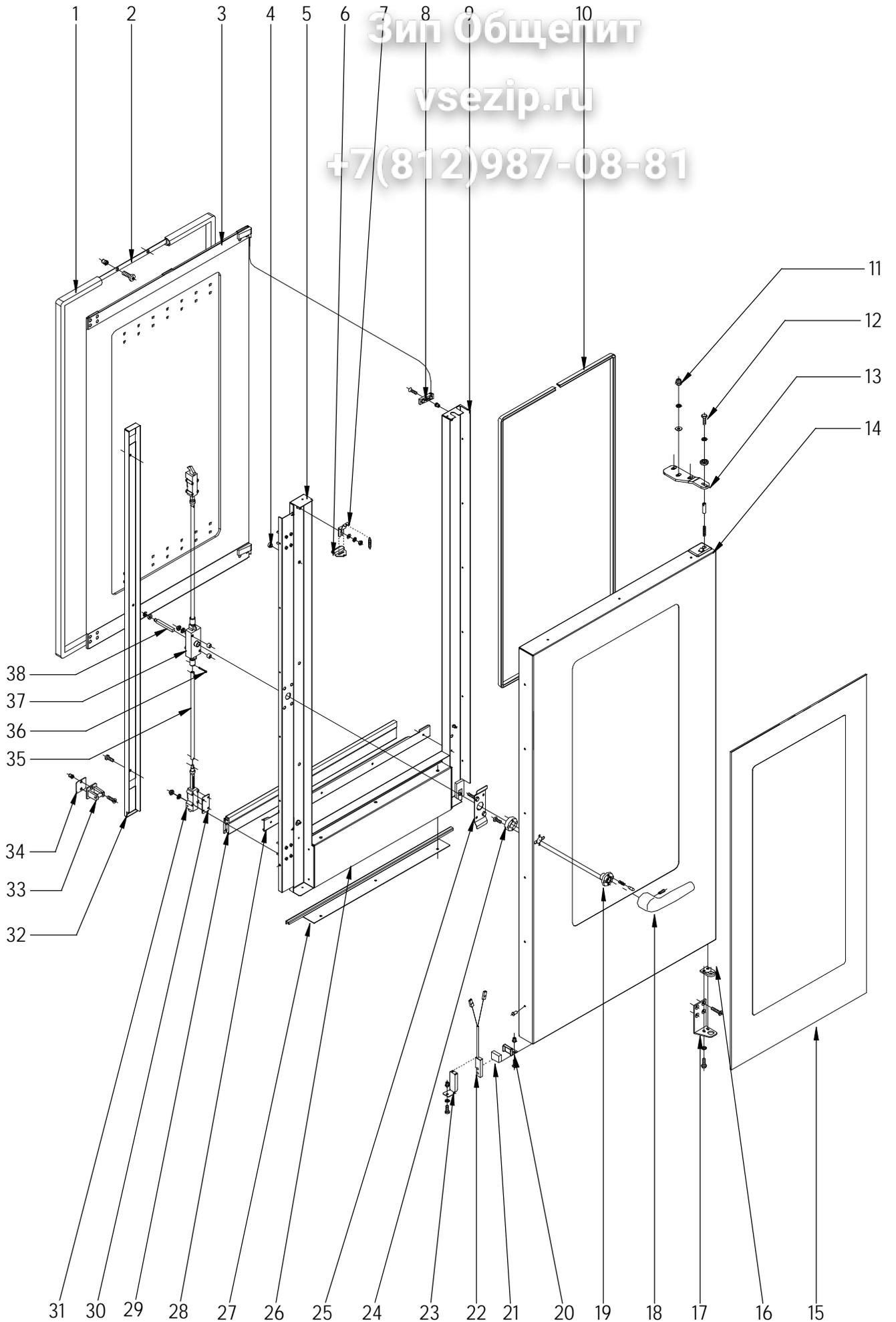
+7(812)987-08-81

MOD.		HORNOS		ZONA		PUERTA	
ITEM	CODIGO	DENOMINACION	TEXTO	HGV-10/1			
16	R660549000	GUIA EJE INFERIOR FUNDIDO	LOWER SHAFT GUIDE, CAST IRON	1			
	Q062040000	TORNILLO AVELLANADO M6X16	COUNTERSUNK BOLT M6x16	4			
17	R660551500	BISAGRA INFERIOR PLEGADA	LOWER FOLDER HINGE	1			
	Q242040000	ARANDELA ABANICO A6 A.304	FAN WASHER A6 A.304	2			
	Q012041000	TORNILLO EXAGONAL M6x10 A304	HEXAGONAL BOLT M6x10 A304	2			
18	T130502000	MANILLA COMPLETA	COMPLETE HANDLE	1			
	Q132042000	VARILLA ROSCADA M6X15	THREADED ROD M6X15	1			
	T130510000	TAPON Ø 16 BAGAL Ext.	COVER Ø 16 BAGAL Ext.	1			
19	T130515000	GUIA MANILLA	HANDLE GUIDE	1			
	T130507000	PITON ENGANCHE PUERTA	DOOR FASTENER SPIKE	2			
	T130506000	RESORTE 34548	SPRING 34548	2			
20	T130513000	SOPORTE IMAN	MAGNET BRACKET	1			
	Q222011000	REMACHE EXAGONAL M.5	HEXAGONAL RIVET M.5	1			
	Q032031000	TORNILLO ALOMADO M5X10	CURVED SCREW M5X10	1			
21	Z200507000	PROTECTOR IMAN	MAGNET PROTECTOR	1			
22	Z200506000	IMAN	MAGNET	1			
23	Z100522000	INTERRUPTOR MAGNETICO	MAGNETIC SWITCH	1			
24	T130514000	SOPORTE RESORTE	SPRING SUPPORT	1			
	Q032032000	TORNILLO ALOMADO M5x15	CURVED SCREW M5X15	2			
25	T130511000	SUPLEMENTO SUJ. CERRADURA	ANCHORAGE SUPPL. LOCK	1			
26	Q352001000	PASADOR DE ALETAS 2X20	COTTER PIN 2X20	4			
27	T080503000	SUPLEMENTO ELEMENTO CIERRE	SUPPLEMENT LOCK ELEMENT	6			
28	T080504000	ELEMENTO CIERRE	LOCK ELEMENT	2			
	Q262040000	ARANDELA GROW. A6 A.304	WASHER GROW. A6 A.304	8			
	Q162040000	TUERCA EXAGONAL M6	HEXAGONAL NUT M6	8			
29	T130509000	MECANISMO CIERRE	LOCK MECHANISM	1			
	Q262040000	ARAND.GROW. A6 A.304	WASHER GROW. A6 A.304	2			
	Q162040000	TUERCA EXAGONAL M6	HEXAGONAL NUT M6	2			
	Z608410000	CASQUILLO AMARRE TECLADO	KEYBOARD ANCHORAGE BUSHING	2			

Зип Общепит

vsezip.ru

+7(812)987-08-81



N plano	Firma	Fecha	Aparato	PUERTA	Lamina	Fagor Industrial S.Coop. FAGOR
C-1971	<i>[Signature]</i>	2008-02	HORNO HGV-20/11		3	Oñate

Зип Общепит

vsezip.ru

+7(812)987-08-81

MOD.	HORNOS	ZONA	PUERTA				
ITEM	CODIGO	DENOMINACION	TEXTO	HGV-20/11			
	1100003126	KIT PUERTA 20/11 COMPLETA	DOOR KIT 20/11 COMPLETE	1			
1	R090510000	JUNTA DE PUERTA 20-11	DOOR SEAL 20-11	1			
2	R090512000	FIJACION JUNTA COMP 20/11	COMPLETE SEAL ATTACHMENT	1			
	Q032021000	TORNILLO ALOMADO M4X10	CURVED SCREW M4X10	40			
	Q222041000	REMACHE EXAGONAL M4 (INOX)	HEXAGONAL RIVET M4 (INOX)	40			
3	1100003125	KIT CRISTAL INTER. 20/11 COMPL.	INTER. GLASS KIT 20/11 COMPL	1			
4	T300513000	TOPE CRISTAL INTERIOR 10/21	INTERIOR GLASS BUFFER 10/21	8			
5	R090569000	CONTRAP. MANILLA COMPL 20/11	DOOR REVERSE COMPLETE LEV	1			
6	T300514000	PESTILLO 10/21	LATCH 10/21	2			
7	R090558000	BASE DE PESTILLO	LATCH BASE	2			
	Q302022000	ARANDELA 16X6X1.2 A.304	WASHER 16X6X1.2 A.304	2			
	Q162040000	TUERCA EXAGONAL M6	HEXAGONAL NUT M6	2			
	Q242040000	ARANDELA ABANICO A6 A.304	FAN WASHER A6 A.304	2			
	R660605000	MUELLE TENSOR	TENSIONING SPRING	2			
8	R670615000	BASE DE BISAGRA	HINGE BASE	2			
	Q222011000	REMACHE EXAGONAL M.5	HEXAGONAL RIVET M.5	2			
	Q042032000	TORNILLO AVELLANADO M5X15	COUNTERSUNK BOLT M5x15	2			
9	R090567000	CONTRAPUERTA BISAGRA 20/11	DOOR REVERSE HINGE 20/11	1			
10	3715200000	JUNTA CRISTAL	WINDOW SEAL	2			
11	Q212051000	TUERCA SOMBRERETE M8	COWL NUT M8	3			
	Q242050000	ARANDELA ABANICO A8 A.304	FAN WASHER A8 A.304	3			
	Q302025000	ARANDELA 8,4x20x1,5 A.304	WASHER 8.4x20x1.5 A.304	3			
12	Q012042000	TORNILLO EXAGONAL M6x15	HEXAGONAL BOLT M6x15	1			
	Q242040000	ARANDELA ABANICO A6 A.304	FAN WASHER A6 A.304	1			
	R662807000	ARANDELA AMARRE	ANCHORAGE WASHER	1			
13	T300520000	BISAGRA SUPERIOR	UPPER HINGE	1			
	R660534000	EJE SUPERIOR	UPPER SHAFT	1			
	Z850519000	RESORTE 06329	SPRING 06329	1			
14	R090565000	PANEL PUERTA 20-11	DOOR PANEL 20-11	1			
	Q412002000	REMACHE AVINOX Ø4x10MM	RIVET AVINOX Ø4x10MM	14			
15	R090562000	CRISTAL EXTERIOR 20/11	EXTERIOR GLASS 20/11	1			

Зип Общепит

MOD.		HORNOS		ZONA		PUERTA	
ITEM	CODIGO	DENOMINACION	TEXTO	HGV-20/11			
16	R660549000	GUIA EJE INFERIOR FUNDIDO	LOWER SHAFT GUIDE, CAST IRON	1			
	Q062040000	TORNILLO AVELLANADO M6X16	COUNTERSUNK BOLT M6x16	4			
17	R090561000	BISAGRA INFERIOR PLEGADA	LOWER FOLDER HINGE	1			
	Q242040000	ARANDELA ABANICO A6 A.304	FAN WASHER A6 A.304	2			
	Q012041000	TORNILLO EXAGONAL M6x10 A304	HEXAGONAL BOLT M6x10 A304	2			
18	T130502000	MANILLA COMPLETA	COMPLETE HANDLE	1			
	Q132042000	VARILLA ROSCADA M6X15	THREADED ROD M6X15	1			
	T130510000	TAPON Ø 16 BAGAL Ext.	COVER Ø 16 BAGAL Ext.	1			
19	T130515000	GUIA MANILLA	HANDLE GUIDE	1			
	T490518000	PITON ENGANCHE PUERTA	DOOR FASTENER SPIKE	2			
	T130506000	RESORTE 34548	SPRING 34548	2			
20	T300525000	SOPORTE IMAN	MAGNET BRACKET	1			
	Q222011000	REMACHE EXAGONAL M.5	HEXAGONAL RIVET M.5	1			
	Q032031000	TORNILLO ALOMADO M5X10	CURVED SCREW M5X10	1			
21	T300526000	IMAN	MAGNET	1			
22	Z100522000	INTERRUPTOR MAGNETICO	MAGNETIC SWITCH	1			
23	T302819000	SOPORTE MICRO PUERTA	DOOR MICRO SWITCH	1			
	Q222011000	REMACHE EXAGONAL M.5	HEXAGONAL RIVET M.5	1			
	Q242030000	ARANDELA ABANICO A5 A.304	FAN WASHER A5 A.304	1			
	Q152004000	TORNIL. APLASTADO M5X13 A 304	FLAT HEADED SCREW M5x13 A 304	1			
24	T130514000	SOPORTE RESORTE	SPRING SUPPORT	1			
	Q032032000	TORNILLO ALOMADO M5x15	CURVED SCREW M5X15	2			
25	T130511000	SUPLEMENTO SUJ. CERRADURA	ANCHORAGE SUPPL. LOCK	1			
26	R090570000	CHAPA AMARRE CONTRAP 20/11	DOOR REVERSE PLATE FASTEN	1			
27	R090571000	SUPERIOR CIERRE PUERTA 20/11	DOOR UPPER LOCK 20/11	1			
28	R090553000	CHAPA JUNTA CONTRAPUERTA	DOOR REVERSE SEAL PLATE	1			
29	R090551000	JUNTA CIERRE INFERIOR 20/11	SEAL LOWER LOCK 20/11	1			
30	T080503000	SUPLEMENTO ELEMENTO CIERRE	SUPPLEMENT LOCK ELEMENT	6			
31	T080504000	ELEMENTO CIERRE	LOCK ELEMENT	2			
	Q262040000	ARAND.GROW. A6 A.304	WASHER GROW. A6 A.304	8			
	Q162040000	TUERCA EXAGONAL M6	HEXAGONAL NUT M6	8			

Зип Общепит

vsezip.ru

+7(812)987-08-81

Número
C-1972

Firma
[Firma]

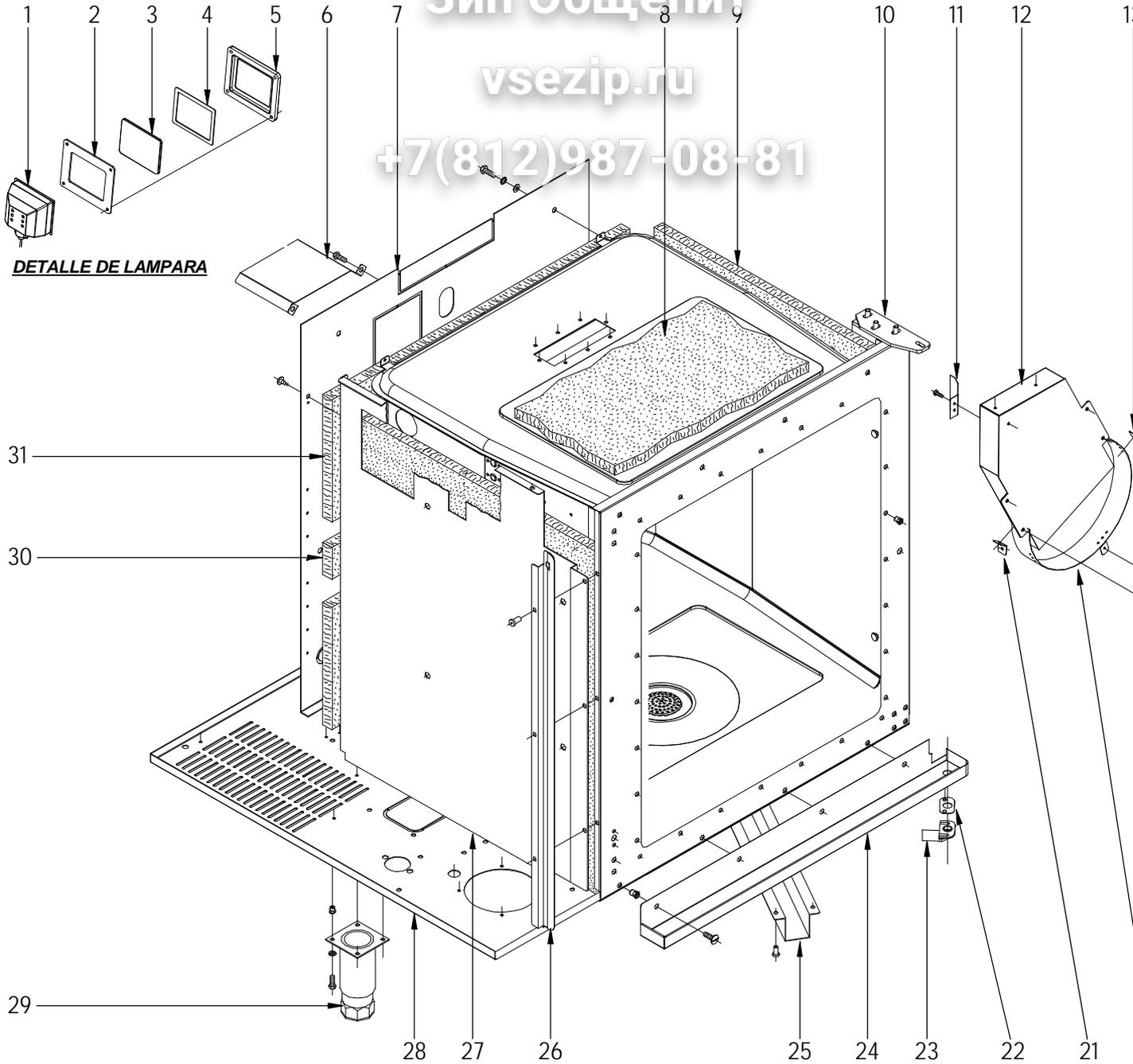
Fecha
2008-02

Aparato

MUEBLE INTERIOR
HORNO HGV-10/11

Lamina
4

Fagor Industri al. S. Coop. **FAGOR**
Orfe



Зип Общепит

vsezip.ru

+7(812)987-08-81

MOD.	HORNOS	MUEBLE INTERIOR			
ITEM	CODIGO	DENOMINACION	TEXTO	HGV-10/11	
1	T303023000	PORTALAMPARAS	LAMP HOLDER	1	
2	T303026000	JUNTA EXTERIOR LAMPARA	LAMP EXTERIOR SEAL	1	
3	T303025000	CRISTAL LAMPARA	LAMP GLASS	1	
4	T303027000	JUNTA INTERIOR LAMPARA	LAMP INTERIOR SEAL	1	
5	T303047000	MARCO LAMPARA	LAMP FRAME	1	
	R663013000	LAMPARA 10W-12V	LAMP 10W-12V	1	
	Q222041000	REMACHE EXAGONAL M.4 INOX	HEXAGONAL RIVET M4 (INOX)	4	
	Q032021000	TORNILLO ALOMADO M4X10	CURVED SCREW M4X10	4	
6	T142635000	TEJADILLO MOTOR	MOTOR ROOF	1	
	Q412002000	REMACHE AVINOX Ø4x10MM	RIVET AVINOX Ø4x10MM	4	
S/N	R142614000	TEJADILLO SOPLANTE	BLOWER COVER	1	
7	T112631000	SOP. AISLANTE POST. 10-11 GAS	REAR INSULATION SUPPORT 10-	1	
	Q221343000	REMACHE EXAGONAL M.6	HEXAGONAL RIVET M.6	6	
	Q232040000	ARANDELA A6	WASHER A6	12	
	Q262040000	ARANDELA GROW. A6 A.304	WASHER GROW. A6 A.304	12	
	Q012042000	TORNILLO EXAGONAL M6x15	HEXAGONAL BOLT M6x15	12	
8	R662614000	AISLANTE 650X650X20	INSULATION 650X650X20	5	
9	R672630000	AISLANTE 770X650X20	INSULATION 770X650X20	5	
10	T112662000	CUERPO COMPLETO HVG-10/11	COMPLETE BODY HVG -10/11	1	
	R662636000	REFUERZO BASE CUERPO INTER.	REINFORCEMENT BASE INTER. B	1	
	Q162040000	TUERCA EXAGONAL M6	HEXAGONAL NUT M6	8	
	Q232040000	ARANDELA A6	WASHER A6	8	
	Q262040000	ARANDELA GROW. A6 A.304	WASHER GROW. A6 A.304	8	
	Q222041000	REMACHE EXAGONAL M4 (INOX)	HEXAGONAL RIVET M4 (INOX)	28	
11	R092677000	ESCUADRA SUJECCION	FASTENING BRACKET	2	
	Q412002000	REMACHE AVINOX Ø4x10MM	RIVET AVINOX Ø4x10MM	4	
12	T142639000	CONDUCCION DE HUMOS COMP,	COMP. SMOKE PIPING	1	
	Q232030000	ARANDELA A5	WASHER A5	2	
	Q242030000	ARANDELA ABANICO A5 A.304	FAN WASHER A5 A.304	2	
	Q162030000	TUERCA EXAGONAL M5	HEXAGONAL NUT M5	2	

Зип Общепит

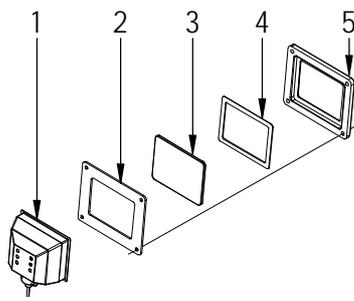
vsezip.ru

MOD.		HORNOS		MUEBLE INTERIOR			
ITEM	CODIGO	DENOMINACION	TEXTO	HGV-10/11			
13	T302643000	FIJACIÓN SUPLEMENTO	SUPPLEMENTARY FASTENING	5			
	Q412002000	REMACHE AVINOX Ø4x10MM	RIVET AVINOX Ø4x10MM	10			
14	T112665000	CUBREVENTILADOR HGV 10/11	FAN COVER HGV 10/11	1			
	Q152014000	PERNO SOLDADO M5X10	WELDED BOLT M5X10	2			
15	R672692000	TOPE PORTABANDEJAS 10/11	TRAY HOLDER BUFFER 10/11	2			
16	R672691000	ESCUADRA SUJECCION 6-10/11	FASTENING BRACKET 6-10/11	4			
17	R672612000	GUÍA BANDEJAS DERECHA 10/11	RIGHT TRAY GUIDE 10/11	1			
S/Nº	R672613000	GUÍA BANDEJAS IZQUIERDA 10/11	LEFT TRAY GUIDE 10/11	1			
18	R252816000	BANDEJA 1/1 P:20	TRAY 1/1 P:20	1			
19	R672665000	PARRILLA 1X1 (REF. 2025201)	GRILLE 1X1 (REF. 2025201)	1			
20	T132645000	SUPL. CUBREVENTILAD. ABIERTO	SUPL. FAN COVER OPEN	1			
21	T142640000	PESTAÑA CIERRE CUBREVENTIL.	FAN COVER LOCK LATCH	2			
	Q412002000	REMACHE AVINOX Ø4x10MM	RIVET AVINOX Ø4x10MM	4			
22	T302845000	JUNTA RECOGEAGUAS	WATER COLLECTOR SEAL	1			
	Q242030000	ARANDELA ABANICO A5 A.304	FAN WASHER A5 A.304	2			
	Q213131000	TUERCA SOMBRERETE M5	COWL NUT M5	2			
23	T302844000	DESAGÜE RECOGEAGUAS	WATER COLLECTOR DRAIN	1			
24	T112852000	RECOGEAGUAS COMPL. 6 10/11	COMPL. WATER COLLECTOR 6 10/11	1			
	Q221343000	REMACHE EXAGONAL M6	HEXAGONAL RIVET M6	4			
	Q152017000	TORNILLO AMARRE M6X13 A304	FASTENING BOLT M6X13 A304	4			
25	R672833000	CUBRE DESAGUE 6/11 10/11	DRAIN COVER 6/11 10/11	1			
26	T112652000	PROTECCION PORTAMANDOS	CONTROL HOLDER PROTECTOR	1			
	Q412002000	REMACHE AVINOX Ø4x10MM	RIVET AVINOX Ø4x10MM	2			
27	T112624000	SOPORTE LATER. AISLANTE 10/11	SIDE SUPPORT INSULATION 10/11	1			
	Q151301000	PHILIPS 8X5/8	PHILIPS 8X5/8	3			
28	T112800000	BASE EXTERI. HORNO HVG-10/11	EXTERIOR BASE OVEN HVG-10/11	1			
29	X260151000	PATA REGULABLE	ADJUSTABLE LEG	4			
	Q221343000	REMACHE EXAGONAL M6	HEXAGONAL RIVET M6	16			
	Q242040000	ARANDELA ABANICO A6 A.304	FAN WASHER A6 A.304	16			
	Q012042000	TORNILLO EXAGONAL M6x15	HEXAGONAL BOLT M6x15	16			
30	R662616000	AISLANTE 560X60X20	INSULATION 560X60X20	3			

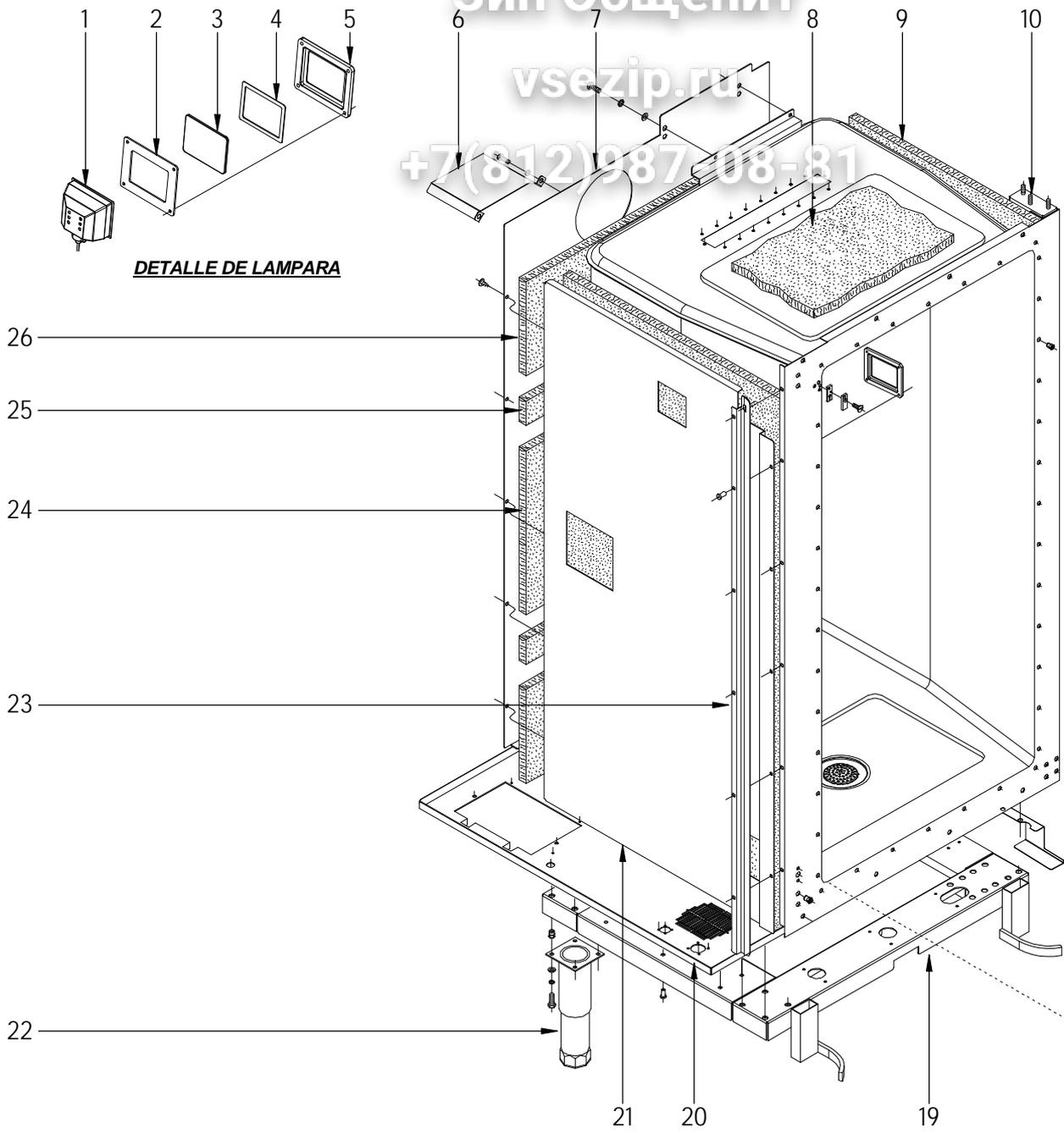
Зип Общепит

vsezip.ru

+7(812)987-08-81



DETALLE DE LAMPARA



Número
C-1973

Firma
[Signature]

Fecha
2008-01

Aparato

MUEBLE INTERIOR
HORNO HGV-20/11

Lamina
5

Fagor Industrial S. Coop. **FAGOR**
Ortze

Зип Общепит

vsezip.ru

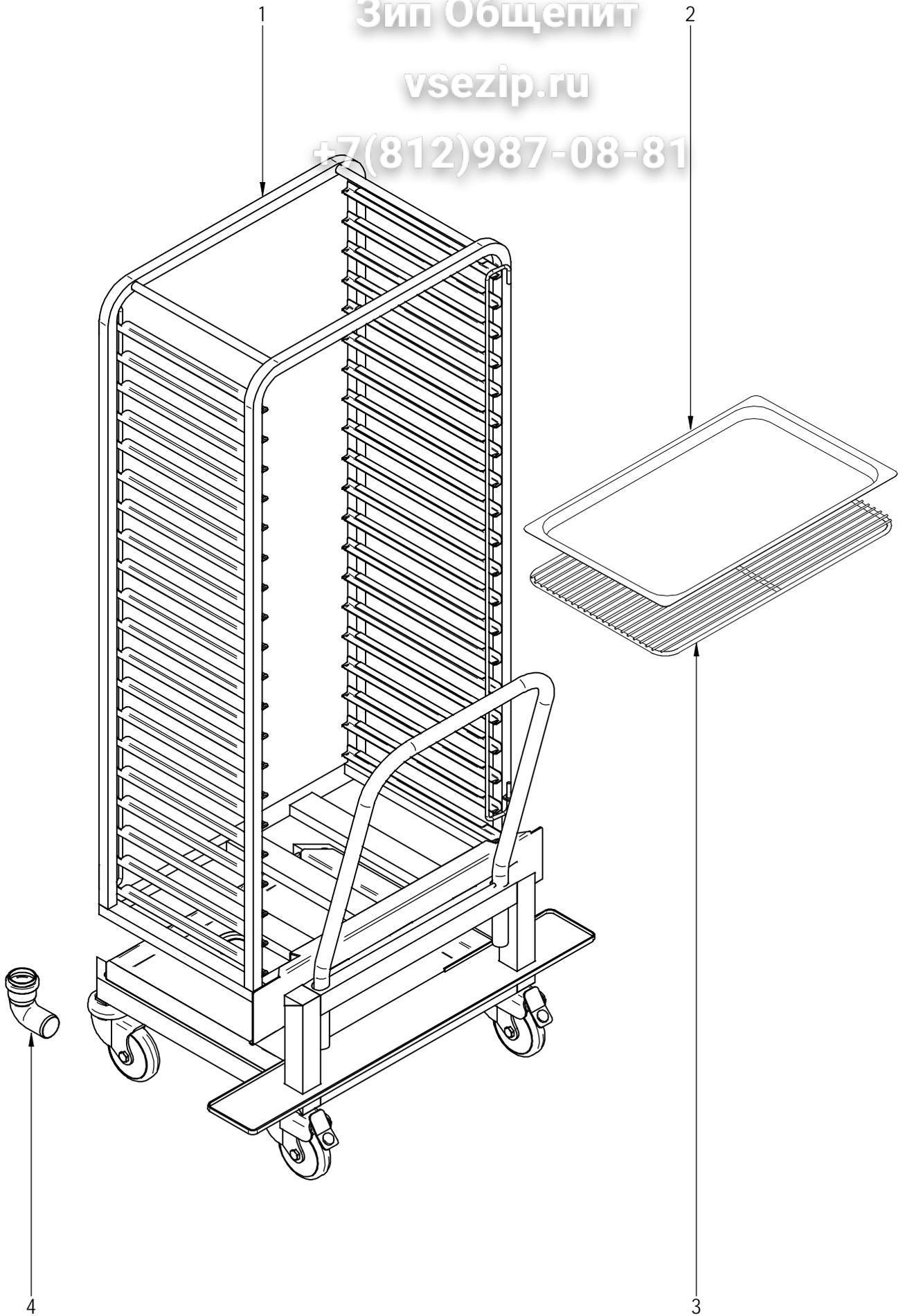
+7(812)987-08-81

MOD.	HORNOS	ZONA	MUEBLE INTERIOR				
ITEM	CODIGO	DENOMINACION	TEXTO	HGV-20/11			
1	T303023000	PORTALAMPARAS	LAMP HOLDER	2			
2	T303026000	JUNTA EXTERIOR LAMPARA	LAMP EXTERIOR SEAL	2			
3	T303025000	CRISTAL LAMPARA	LAMP GLASS	2			
4	T303027000	JUNTA INTERIOR LAMPARA	LAMP INTERIOR SEAL	2			
5	T303047000	MARCO LAMPARA	LAMP FRAME	2			
	R663013000	LAMPARA 10W-12V	LAMP 10W-12V	2			
	Q222041000	REMACHE EXAGONAL M.4 INOX	HEXAGONAL RIVET M4 (INOX)	8			
	Q032021000	TORNILLO ALOMADO M4X10	CURVED SCREW M4X10	8			
6	T142635000	TEJADILLO MOTOR	MOTOR ROOF	2			
	Q412002000	REMACHE AVINOX Ø4x10MM	RIVET AVINOX Ø4x10MM	4			
S/N	R142614000	TEJADILLO SOPLANTE	BLOWER COVER	1			
7	T132628000	SOPORTE AISLANTE POS. 20/11G	REAR INSULATION SUPPORT 20/11	1			
	Q221343000	REMACHE EXAGONAL M.6	HEXAGONAL RIVET M.6	12			
	Q232040000	ARANDELA A6	WASHER A6	24			
	Q262040000	ARAND.GROW. A6 A.304	WASHER GROW. A6 A.304	24			
	Q012042000	TORNILLO EXAGONAL M6x15	HEXAGONAL BOLT M6x15	24			
8	R662614000	AISLANTE 650X650X20	INSULATION 650X650X20	6			
9	R092622000	AISLANTE 1370X650X20	INSULATION 1370X650X20	5			
10	T132646000	CUERPO COMPLETO HGV 20/11	COMPLETE BODY HGV 20/11	1			
	R662636000	REFUERZO BASE 2011	BASE REINFORCEMENT 2011	1			
	Q162040000	TUERCA EXAGONAL M6	HEXAGONAL NUT M6	8			
	Q232040000	ARANDELA A6	WASHER A6	8			
	Q262040000	ARAND.GROW. A6 A.304	WASHER GROW. A6 A.304	8			
11	T142640000	PESTAÑA CIERRE CUBREVENTIL.	FAN COVER LOCK LATCH	2			
	Q412002000	REMACHE AVINOX Ø4x10MM	RIVET AVINOX Ø4x10MM	4			
12	T142639000	CONDUCCION DE HUMOS COMP,	COMP. SMOKE PIPING	1			
13	R092677000	ESCUADRA SUJECCION	FASTENING BRACKET	2			
	Q412002000	REMACHE AVINOX Ø4x10MM	RIVET AVINOX Ø4x10MM	4			
14	T132645000	SUPL. CUBREVENTILAD. ABIERTO	SUPL. FAN COVER OPEN	1			
15	T302643000	FIJACIÓN SUPLEMENTO	SUPPLEMENTARY FASTENING	7			
	Q412002000	REMACHE AVINOX Ø4x10MM	RIVET AVINOX Ø4x10MM	14			

Зип Ощепит

vsezip.ru

+7(812)987-08-81



N plano

Firma

Fecha

Aparato

CARRO

Lamina

Fagor Industrial S.Coop. **FAGOR** 

C-1974

Firma

2008-02

HORNO HGV-20/11

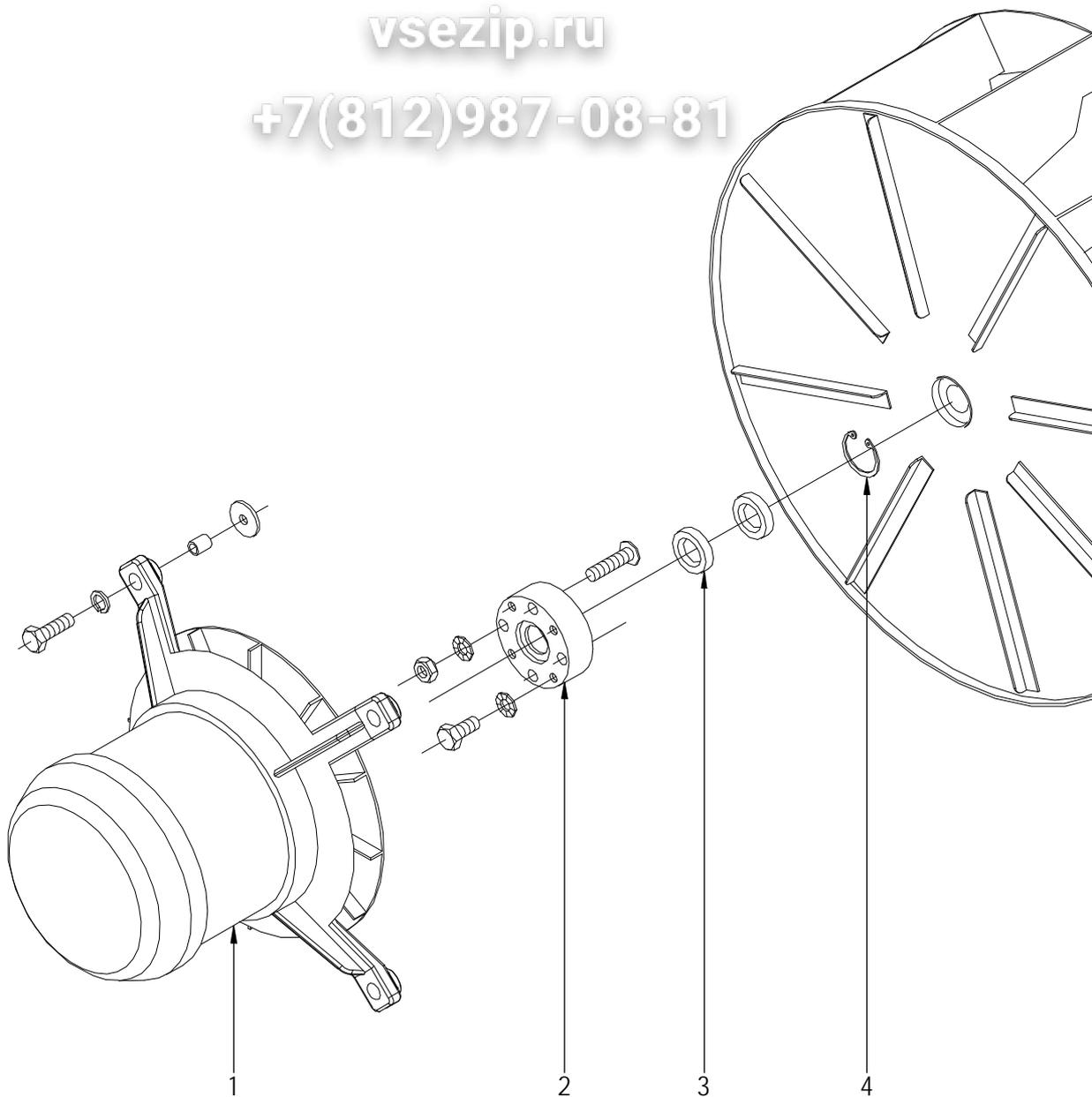
6

Oñote

Зип Общепит

vsezip.ru

+7(812)987-08-81

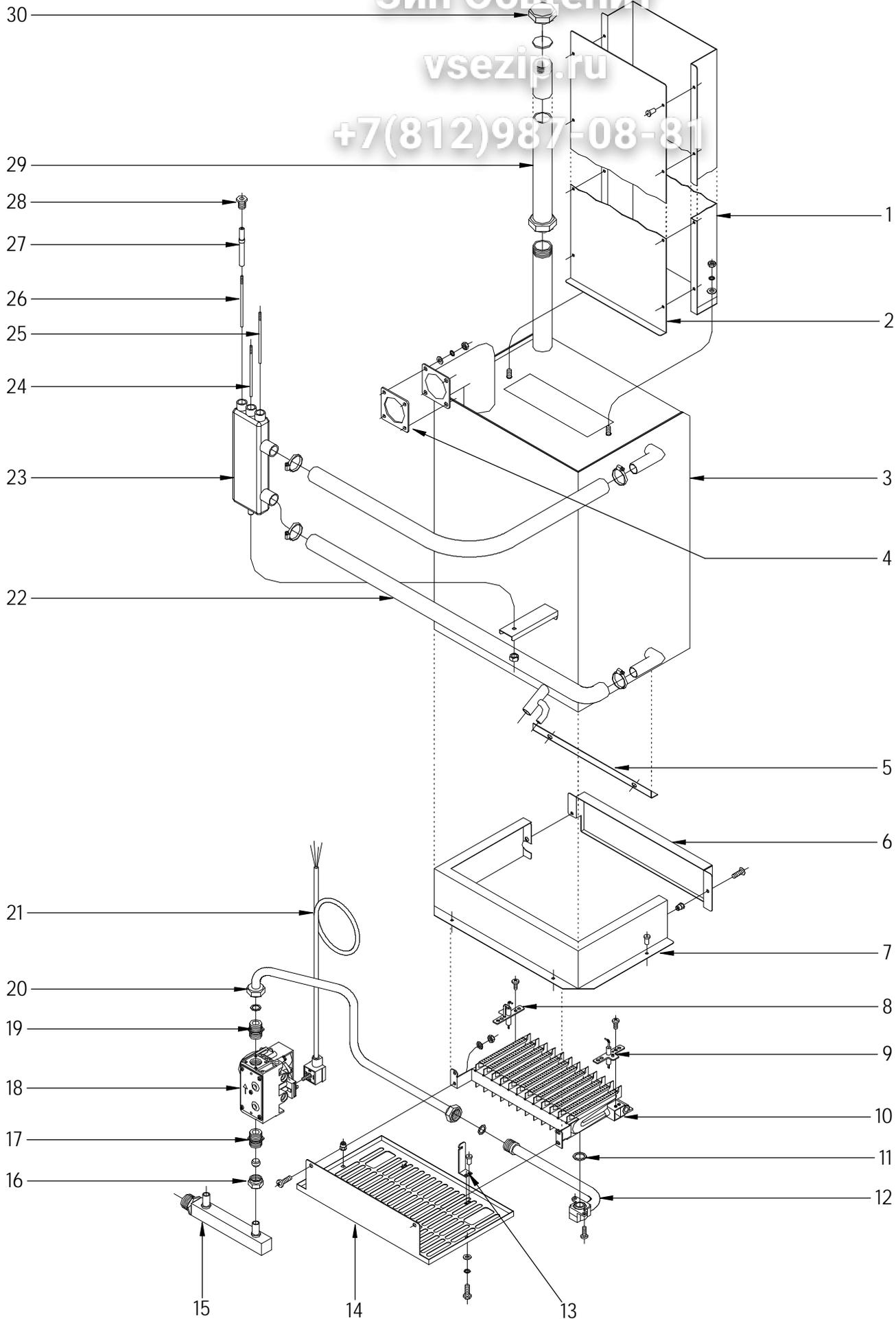


N plano	Firma	Fecha	Aparato	Lamina	Fagor Industri al s. Coop. Fagor Orde
C-1975		2008-02	TURBINA HORNO HGV-10/11; 20/11	7	

Зип Общежит

vsezip.ru

+7(812)987-08-81



N plano	Firma	Fecha	Aparato	GENERADOR DE VAPOR	Lamina	Fagor Industrial S.Coop. FAGOR
C-1976	<i>[Signature]</i>	2008-02	HORNO HGV-10/11; 20/11		8	Oñate

Зип Общепит

MOD.		HORNOS		ZONA		GENERADOR DE VAPOR	
ITEM	CODIGO	DENOMINACION	TEXTO	HGV-10/11	HGV-20/11		
1	T115009000	ANT CHIMENEA GENER. HVG-10/11	FRONT FLUEPIPE GEN. HVG-10-	1	-		
	T115041000	AISLANTE ANTERIOR CHIMENEA	FRONT FLUEPIPE INSULATION	1	-		
1	T135004000	ANT CHIMENEA GENER. HGV-20/11	FRONT FLUEPIPE GEN. HGV-20/1	-	1		
	T145044000	AISLANTE ANTERIOR CHIMENEA	FRONT FLUEPIPE INSULATION	-	1		
2	T115010000	POST. CHIMENEA GEN. HVG-10/11	REAR FLUEPIPE GEN. HVG -10/1	1	-		
	T115066000	AISLANTE POSTERIOR CHIMENEA	REAR FLUEPIPE INSULATION	1	-		
2	T135005000	POST. CHIMENEA GEN. HVG-20/11	REAR FLUEPIPE GEN. HVG -20/1	-	1		
	T135000000	AISLANTE POSTERIOR CHIMENEA	REAR FLUEPIPE INSULATION	-	1		
	Q221342000	REMACHE EXAGONAL M5	HEXAGONAL RIVET M5	4	4		
	Q152004000	TORNILLO APLASTADO M5X13	FLAT HEAD SCREW M5X13	4	4		
	Q302022000	ARANDELA 16X6X1.2 A.304	WASHER 16X6X1.2 A.304	2	2		
	Q262030000	ARANDELA GROW. A5 A.304	WASHER GROW. A5 A.304	2	2		
	Q162030000	TUERCA EXAGONAL M5	HEXAGONAL NUT M5	2	2		
3	T115000000	GENERADOR DE VAPOR	STEAM GENERATOR	1	1		
	T305080000	AISLANTE LATERAL GENERADOR	GENERATOR SIDE INSULATION	2	2		
	T305079000	AISLANTE GENERADOR	GENERATOR INSULATION	2	2		
	T305081000	AISLANTE SUPERIOR GENERAD.	GENERATOR UPPER INSULATIO	1	1		
	Q232040000	ARANDELA A6	WASHER A6	4	4		
	Q262040000	ARANDELA GROW. A6 A.304	WASHER GROW. A6 A.304	4	4		
	Q162040000	TUERCA EXAGONAL M6	HEXAGONAL NUT M6	4	4		
4	T115037000	JUNTA ENTRADA VAPOR	STEAM INPUT SEAL	1	1		
5	Z950353000	ESCUADRA PROTECCION	BRACKET PROTECTION	1	1		
	Q242030000	ARANDELA ABANICO A5	FAN WASHER A5	2	2		
	Q232030000	ARANDELA A5	WASHER A5	2	2		
	Q162030000	TUERCA EXAGONAL M5	HEXAGONAL NUT M5	2	2		
6	T115701000	TAPA CAJA	BOX COVER	1	1		
	T115068000	AISLANTE TAPA CAJA QUEMADOR	BURNER BOX COVER INSULATIO	1	1		
	Q152004000	TORNILLO APLASTADO M5X13	FLAT HEAD SCREW M5X13	2	2		
	Q221342000	REMACHE EXAGONAL M5	HEXAGONAL RIVET M5	2	2		

Зип Общепит

vsezip.ru

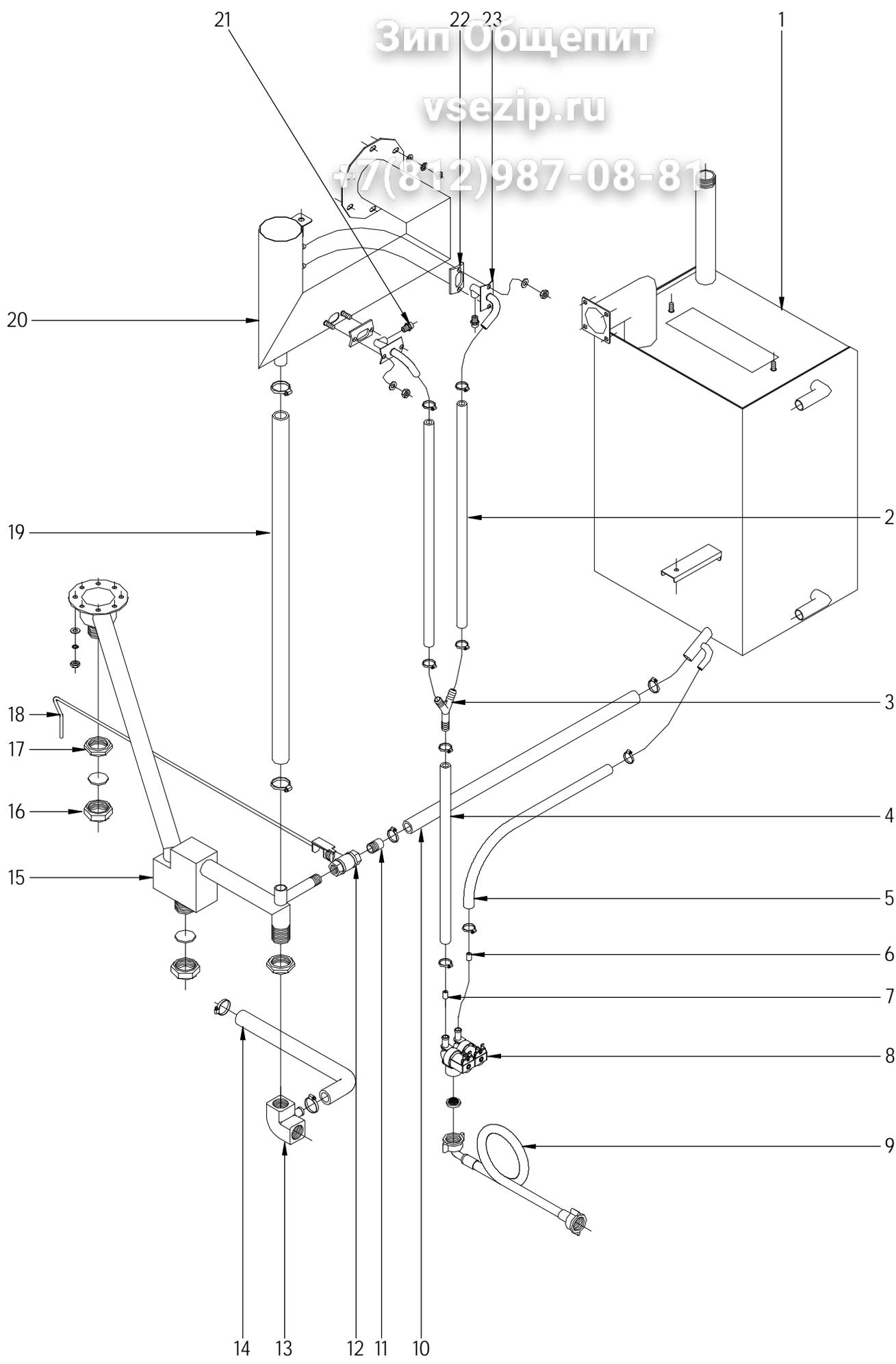
+7(812)987-08-81

MOD.		HORNOS		ZONA		GENERADOR DE VAPOR			
ITEM	CODIGO	DENOMINACION	TEXTO	HGV-10/1	HGV-20/1				
7	T115700000	CAJA QUEMADOR	BURNER BOX	1	1				
	T115067000	AISLANTE CAJA QUEMADOR	BURNER BOX INSULATION	1	1				
	Q412002000	REMACHE AVINOX Ø4x10MM	RIVET AVINOX Ø4x10MM	4	4				
8	Z955802000	ELECTRODO IGNICION F1643500	IGNITION ELECTRODE F1643500	1	1				
	Q151320000	TOR. ALOMADO M4X6 H. ZINCADO	CURVED SCREW M4X6 H. ZINC-C	1	1				
9	Z955803000	ELECTRODO DETECCION F1643600	DETECTION ELECTRODE F16436	1	1				
	Q151320000	TOR. ALOMADO M4X6 H. ZINCADO	CURVED SCREW M4X6 H. ZINC-C	1	1				
10	Z955801000	QUEMADOR F0000161	BURNER F0000161	1	1				
	Q032021000	TORNILLO ALOMADO M4X10	CURVED SCREW M4X10	2	2				
	Q242020000	ARANDELA ABANICO A4	FAN WASHER A4	2	2				
	Q162020000	TUERCA EXAGONAL M4	HEXAGONAL NUT M4	2	2				
11	Z955807000	JUNTA CORCHO	CORK SEAL	1	1				
12	T115713000	ACOPLADOR COMPLETO	COMPLETE COUPLER	1	1				
	Q151320000	TOR. ALOMADO M4X6 H. ZINCADO	CURVED SCREW M4X6 H. ZINC-C	2	2				
13	T112609000	SOPORTE QUEMADOR	BURNER SUPPORT	2	2				
	Q412002000	REMACHE AVINOX Ø4x10MM	RIVET AVINOX Ø4x10MM	4	4				
14	T112829000	TAPA DE QUEMADOR	BURNER COVER	1	1				
	Q221343000	REMACHE EXAGONAL M6	HEXAGONAL RIVET M6	2	2				
	Q232040000	ARANDELA A6	WASHER A6	2	2				
	Q262040000	ARANDELA GROW. A6 A.304	WASHER GROW. A6 A.304	2	2				
	Q012042000	TORNILLO EXAGONAL M6X15	HEXAGONAL BOLT M6x15	2	2				
15	T115015000	ENTRADA DE GAS COMP HVG	COMP GAS INPUT HVG	1	1				
16	Q221334000	TUERCA 1/2"	NUT 1/2"	2	2				
17	S205023000	MANGUITO DOBLE 1/2	DOUBLE SLEEVE 1/2	1	1				
	U055043000	BICONO Ø12	BICONE Ø12	2	2				
18	Z952201000	VALVULA SIT 830.034 50 Hz	VALVE SIT 830.034 50 Hz	1	1				
18	Z953501000	VALVULA SIT 830.062 60 Hz	VALVE SIT 830.062 60 Hz	1	1				
	R723016000	JUNTA CON. 830 960.108	CON. SEAL 830 960.108	1	1				
19	S205023000	MANGUITO DOBLE 1/2	DOUBLE SLEEVE 1/2	1	1				
20	T115109000	COND. QUEMADOR GENERADOR	COND. GENERATOR BURNER	1	1				
	Q306012000	ARAND. JUNTA Ø18X13X1.5 KLING.	GROWER SEAL Ø18X13X1.5 KLIN	3	3				

Зип Общепит

vsezip.ru

+7(812)987-08-81



N plano	Firma	Fecha	Aparato	CONDUCCIONES DE AGUA, VAPOR Y DESAGÜE	Lamina	Fagor Industrial S.Coop. FAGOR
C-1977	<i>[Signature]</i>	2008-02	HORNO HGV-10/11; 20/11		9	Oñate

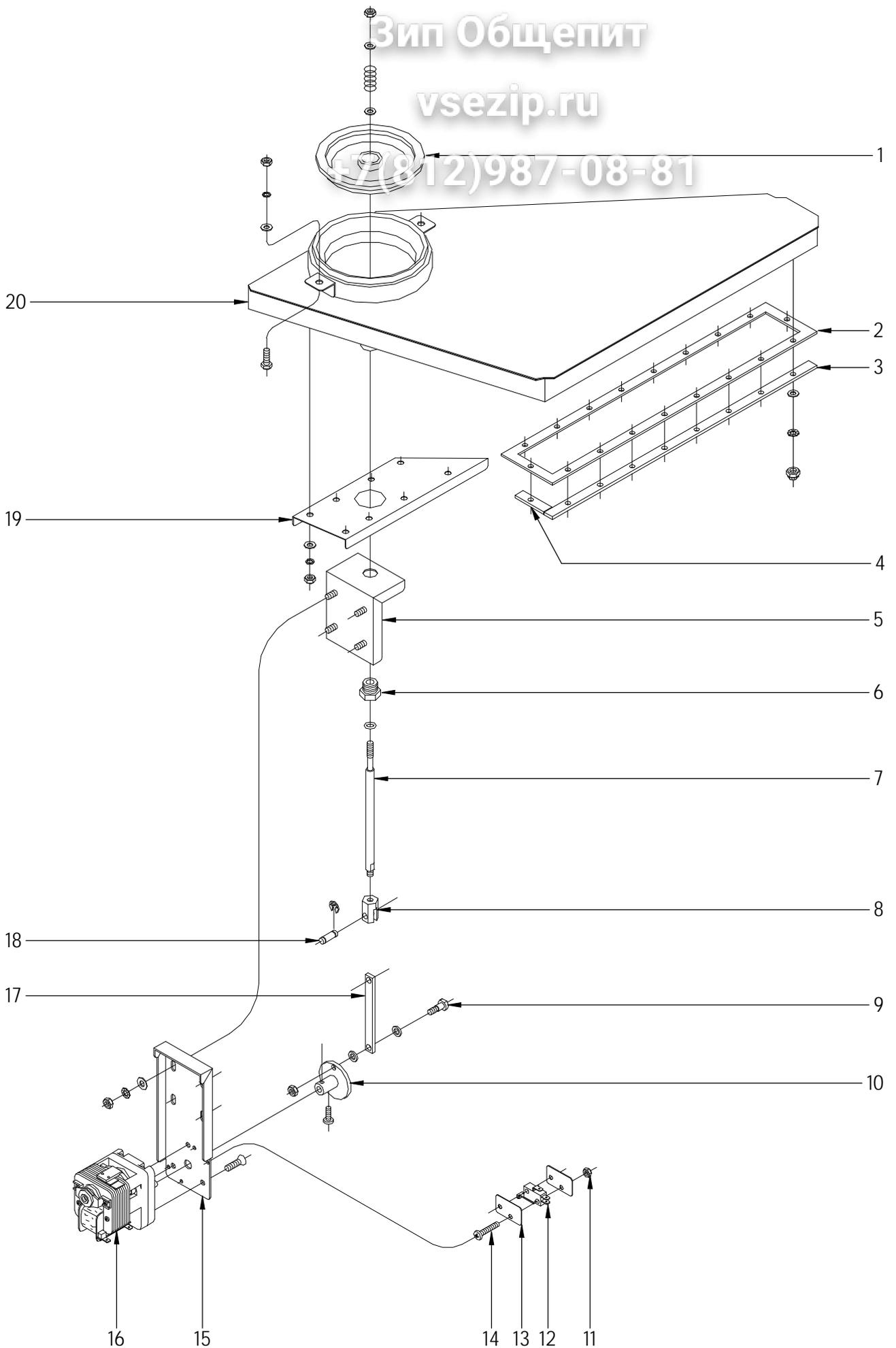
Зип Общепит

MOD.		HORNOS		ZONA		CONDUCCIONES DE AGUA, VAPOR Y D			
ITEM	CODIGO	DENOMINACION	TEXTO	HGV-10/11	HGV-20/11				
1	T115000000	GENERADOR DE VAPOR	STEAM GENERATOR	1	1				
2	3676900000	TUBO GOMA NEGRA Ø17*10	BLACK RUBBER PIPE Ø17*10	2	2				
	Q881302000	ABRAZADERA ELASTICA 12*20	ELASTIC CLAMP 12*20	4	4				
3	Z201106000	RACORD EN Y	Y-CONNECTION	1	1				
4	3676900000	TUBO GOMA NEGRA Ø17*10	BLACK RUBBER PIPE Ø17*10	2	2				
	Q881302000	ABRAZADERA ELASTICA 12*20	ELASTIC CLAMP 12*20	4	4				
5	3676900000	TUBO GOMA NEGRA Ø17*10	BLACK RUBBER PIPE Ø17*10	2	2				
	Q881302000	ABRAZADERA ELASTICA 12*20	ELASTIC CLAMP 12*20	4	4				
6	Z601156000	REGULADOR 8L RO. 254.034	REGULATOR 8L RED 254.034	1	1				
7	P443042000	REGULADOR 3L VERDE 254.023	REGULATOR 3L GREEN 254.023	1	1				
8	P255001000	ELECTROVALVULA DOBLE	DOUBLE SOLENOID VALVE	1	1				
	Q032013000	TORNILLO ALOMADO M3X20	CURVED SCREW M3X20	4	4				
9	Z601114000	MANGUERA ENTRADA AGUA	WATER INTAKE HOSE	1	1				
	Z701132000	FILTRO DE JUNTA N-3	SEAL FILTER N-3	1	1				
10	3715600000	TUBO SILICONA FORRADO 26X18	LINED SILICONE TUBE 26X18	1	1				
	Q881304000	ABRAZADERA ELASTICA 20*32	ELASTIC CLAMP 20*32	2	2				
11	R345014000	MANGUITO GRIFO VACIADO	DRAINAGE TAP HOSE	1	1				
12	R015034000	CUERPO GRIFO VACIADO	DRAINAGE TAP BODY	1	1				
13	R665080000	CODO DESAGUE	DRAINAGE L-BEND	1	-				
14	3715600000	TUBO SILICONA FORRADO 26X18	LINED SILICONE TUBE 26X18	1	-				
	Q881304000	ABRAZADERA ELASTICA 20*32	ELASTIC CLAMP 20*32	2	-				
15	T115017000	TUBO DESAGÜE COMPLETO	COMPLETE DRAINAGE PIPE	1	1				
	Q162040000	TUERCA EXAGONAL M6	HEXAGONAL NUT M6	8	8				
	Q232040000	ARANDELA A6	WASHER A6	8	8				
	Q262040000	ARANDELA GROW. A6 A.304	WASHER GROW. A6 A.304	8	8				
16	R665053000	TUERCA TAPON 1"	PLUG NUT 1"	2	2				
	R015011000	ARANDELA 32	WASHER 32	2	2				
17	Q223014000	CONTRATUERCA 1 LATON	COUNTERNUT 1 BRASS	2	2				
18	R342803000	PALANCA GRIFO VACIADO COMP.	COMP. DRAIN TAP LEVER	1	1				
	Q901306000	GRAPA METALICA DOS PIES	METAL STAPLE TWO FEET	1	1				
	Q412002000	REMACHE AVINOX Ø4x10MM	RIVET AVINOX Ø4x10MM	2	2				

Вип Общепит

vsezip.ru

87(812)987-08-81



N plano	Firma	Fecha	Aparato	Lamina	Oñate
C-1978	Firma (Benja)	2008-02	CIERRE CHIMENEA HORNO HGV-10/11; 20/11	10	Fagor Industrial S.Coop. FAGOR

Зип Общепит

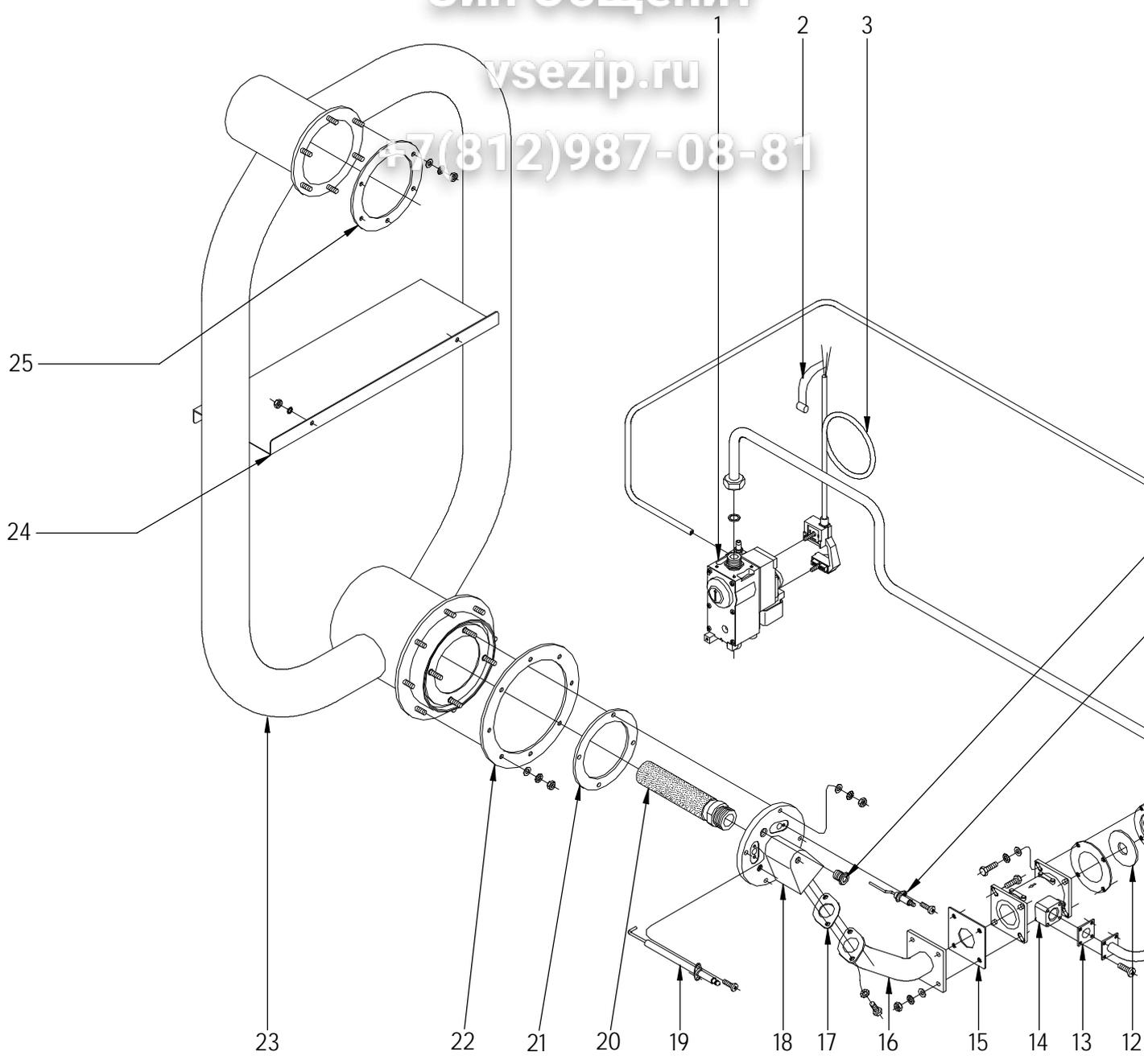
vsezip.ru

MOD.		HORNOS		CIERRE CHIMENEA	
ITEM	CODIGO	DENOMINACION	TEXTO	HGV-10/11	HGV-20/11
1	T115115000	RETENCION VAPORES HVG-10-11	STEAM RETAINER HVG-10-11	1	-
1	T125027000	RETENCION VAPORES HVG-20/11	STEAM RETAINER HVG-20/11	-	1
	Q162040000	TUERCA EXAGONAL M6	HEXAGONAL NUT M6	1	1
	Q232040000	ARANDELA A6	WASHER A6	1	1
	Q302022000	ARANDELA PLANA Ø16x6x1.2	FLAT WASHER Ø16x6x1.2	1	1
	R725008000	RESORTE	SPRING	1	1
2	T122630000	JUNTA CHIMENEA HVG-10-11	FLUEPIPE SEAL HVG-10-11	1	-
2	T132631000	JUNTA CHIMENEA HVG-20-11	FLUEPIPE SEAL HVG-20-11	-	1
3	T122631000	PLETINA REFUE. LARGO INF. 10/11	LOWER LONG REINFORCEMENT	2	-
3	T132632000	PLETINA REFUE. LARGO INF. 20/11	LOWER LONG REINFORCEMENT	-	2
	Q232030000	ARANDELA A5	WASHER A5	8	18
	Q242030000	ARANDELA ABANICO A5 A.304	FAN WASHER A5 A.304	8	18
	Q213131000	TUERCA SOMBRERETE M5	COWL NUT M5	8	18
4	T132634000	PLETINA REFUERZO CORTO INFE.	LOW. SHORT REINFORCEMENT	2	2
5	T135022000	SOPORTE AMARRE MOTOR COM.	COM. MOTOR FASTENING SUPP	1	1
6	R725030000	TUERCA GUIA RETENCION	RETAINER GUIDE NUT	1	1
	Q307067000	JUNTA TORICA 9.19x2.62	"O" RING 9.19X2.62	1	1
7	T135044000	EJE RETENCION VAPORES	STEAM RETAINER SHAFT	1	1
8	T135045000	SUPLEMENTO EJE RETENCION	RETAINER SHAFT SUPPLEMENT	1	1
9	T135009000	EJE DE LEVA	CAM SHAFT	1	1
	Q308013000	ARANDELA Ø14x8x2	WASHER Ø14x8x2	2	2
10	T135012000	LEVA HVG	CAM HVG	1	1
	Q012021000	TORNILLO EXAGONAL M4X10	HEXAGONAL BOLT M4x10	1	1
	Q162040000	TUERCA EXAGONAL M6	HEXAGONAL NUT M6	1	1
11	Q221350000	TUERCA AUTOBLOCANTE M3	SELF-LOCKING NUT M3	4	4
12	R010534000	INTERRUPTOR PUERTA	DOOR SWITCH	2	2
13	R010535000	PLACA SEPARADORA	SPACER PLATE	4	4
14	Q032013000	TORNILLO ALOMADO M3X20	CURVED SCREW M3X20	4	4

Зип Общепит

vsezip.ru

7(812)987-08-81



N. plano	Firma	Fecha	Apelativo	Lamina	Fogor Industri al S. Coop.
C-1979	Firma	2008-02	HORNNO HGV-10/11; 20/11	11	Orfite
			PARTE FUNCIONAL GAS		FOGOR

Зип Общепит

vsezip.ru

+7(812)987-08-81

MOD.	HORNOS	ZONA	PARTE FUNCIONAL DE GAS				
ITEM	CODIGO	DENOMINACION	TEXTO	HGV-10/11	HGV-20/11		
1	T115097000	VALVULA REGUL. BP 50 Hz 10/11	CONTROL VALVE BP 50 Hz 10/11	1	-		
1	T115098000	VALVULA REGUL. GN 50 Hz 10/11	CONTROL VALVE GN 50 Hz 10/11	1	-		
1	T115100000	VALVULA REGUL. BP 60Hz 10/11	CONTROL VALVE BP 60Hz 10/11	1	-		
1	T115101000	VALVULA REGUL. GN 60Hz 10/11	CONTROL VALVE GN 60Hz 10/11	1	-		
1	T135037000	VALVULA REGUL. BP 50 Hz 20/11	CONTROL VALVE BP 50 Hz 20/11	-	1		
1	T135039000	VALVULA REGUL. GN 50 Hz 20/11	CONTROL VALVE GN 50 Hz 20/11	-	1		
1	T135040000	VALVULA REGUL. BP 60 Hz 20/11	CONTROL VALVE BP 60 Hz 20/11	-	1		
1	T135041000	VALVULA REGUL. GN 60 Hz 20/11	CONTROL VALVE GN 60 Hz 20/11	-	1		
2	Z233012000	CONDENSADOR ANTIPARASITARIO	ANTIPARASITIC CONDENSOR	2	2		
3	T085012000	CONECTOR VALVULA HONEYW.	HONEYW. VALVE CONNECTOR	1	1		
4	R725015000	VISOR DE ENCENDIDO	IGNITION WINDOW	1	1		
	R725063000	CRISTAL DE VISOR	WINDOW GLASS	1	1		
5	T115712000	ELECTRODO DETECCION 10/11	DETECTION ELECTRODE 10/11	1	-		
5	T135705000	ELECTRODO DETECCION 20/11	DETECTION ELECTRODE 20/11	-	1		
	Q153021000	TORNILLO ALOMADO M4 X 10	CURVED SCREW M4 X 10	2	2		
6	T115095000	MALLA VENTILADOR	FAN GRILLE	1	1		
	Q032021000	TORNILLO ALOMADO M4X10	CURVED SCREW M4X10	4	4		
	Q242020000	ARANDELA ABANICO A4	FAN WASHER A4	4	4		
7	3702400000	TUBO GOMA NEGRO Ø 8*4	BLACK RUBBER PIPE Ø 8*4	1	1		
8	T083000000	VENTILADOR E.B.M.-RG130	FAN E.B.M.-RG130	1	1		
9	T115078000	CONDUCCION GAS COMPLETA	COMPLETE GAS PIPING	1	1		
10	T115081000	JUNTA ACOPLAMIENT. SOPLANTE	BLOWER COUPLING SEAL	2	2		
11	T115076000	ACOPLAMIEN. VENTILADOR MIXER	MIXER FAN COUPLING	1	1		
12	T115082000	ARANDELA Ø 18 BP	WASHER Ø 18 BP	1	-		
12	T115083000	ARANDELA Ø 20 GN	WASHER Ø 20 GN	1	-		
12	T135035000	ARANDELA Ø 22 BP	WASHER Ø 22 BP	-	1		
12	T135036000	ARANDELA Ø 26.3 GN	WASHER Ø 26.3 GN	-	1		
13	T115080000	JUNTA CONDUCCION MIXER	MIXER PIPING SEAL	1	1		
	Q032021000	TORNILLO ALOMADO M4X10	CURVED SCREW M4X10	4	4		
14	T115075000	MIXER SIT 35KW	MIXER SIT 35KW	1	1		
15	T115079000	JUNTA MIXER	MIXER SEAL	1	1		

Зип Общепит

vsezip.ru

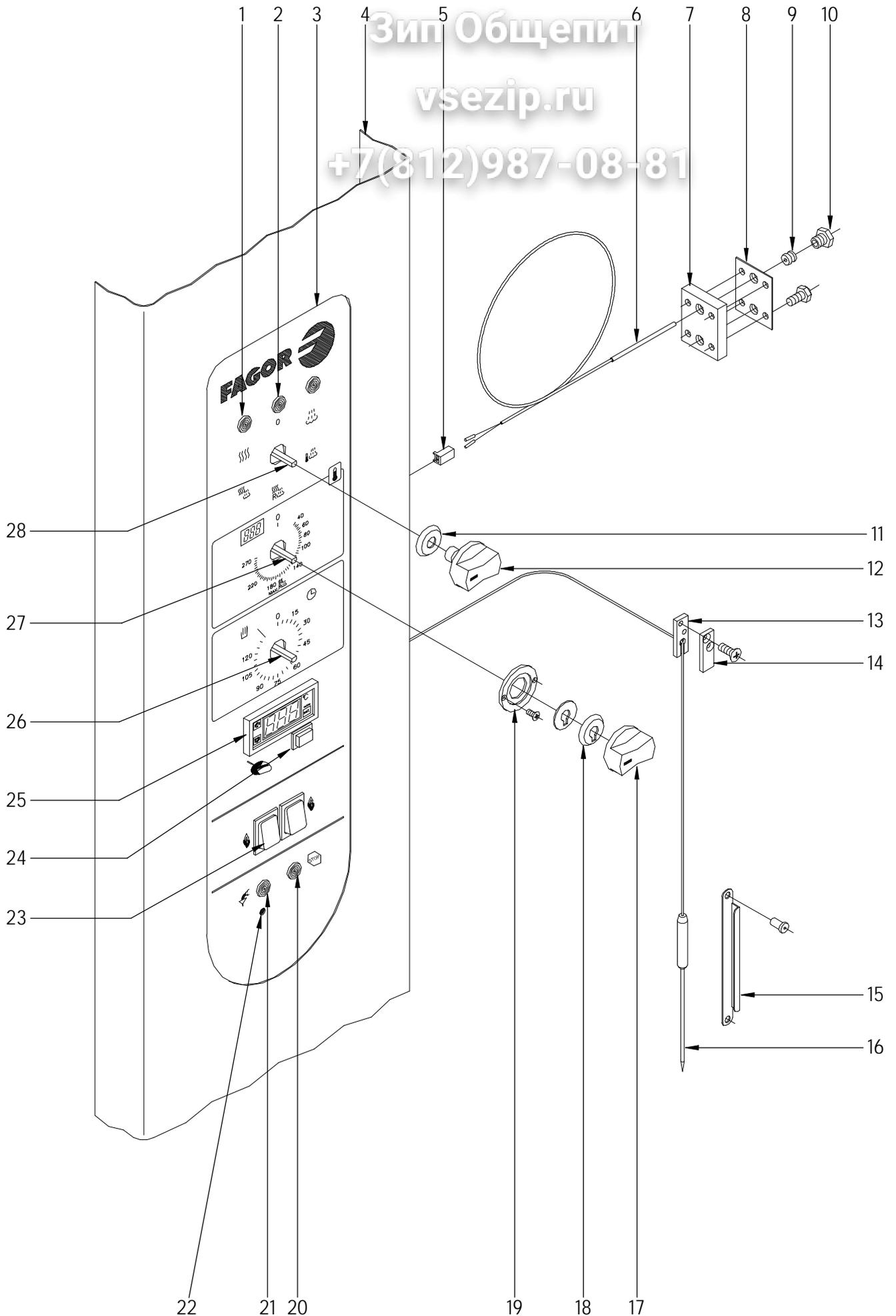
+7(812)987-08-81

MOD.		HORNOS		ZONA		PARTE FUNCIONAL DE GAS			
ITEM	CODIGO	DENOMINACION	TEXTO	HGV-10/11	HGV-20/11				
16	T115077000	CONDUCTO GAS TAPA PRINCIPAL	MAIN COVER GAS PIPE	1	1				
17	T095021000	JUNTA CONDUCTO	PIPE SEAL	1	1				
	Q012032000	TORNILLO EXAGONAL M5X15 A304	HEXAGONAL BOLT M5x15 A304	2	2				
	Q242030000	ARANDELA ABANICO A5 A.304	FAN WASHER A5 A.304	2	2				
18	T115782000	TAPA PRINCIPAL	MAIN COVER	1	1				
	Q242030000	ARANDELA ABANICO A5 A.304	FAN WASHER A5 A.304	4	4				
	Q163030000	TUERCA EXAGONAL M5 LATON	HEXAGONAL NUT M5 BRASS	4	4				
19	T115781000	ELECTRODO IGNICION 10/11-10/21	IGNITION ELECTRODE 10/11-10/21	1	-				
19	T135706000	ELECTRODO IGNICION 20/11-20/21	IGNITION ELECTRODE 20/11-20/21	-	1				
	Q153021000	TORNILLO ALOMADO M4 X 10	CURVED SCREW M4 X 10	1	1				
20	T115710000	QUEMADOR FURIGAS 10-11/10-21	BURNER FURIGAS 10-11/10-21	1	-				
20	T145712000	QUEMADOR FURIGAS 20/11	BURNER FURIGAS 20/11	-	1				
21	R725055000	JUNTA DE TAPA PRINCIPAL	MAIN COVER SEAL	1	1				
22	R725051000	JUNTA CAMARA COMBUST. 10/11	FUEL CHAMBER SEAL 10/11	1	-				
22	T145710000	JUNTA CAMARA COMBUST. 20/11	FUEL CHAMBER SEAL 20/11	-	1				
23	R725701000	INTERCAMBIADOR COMPL. 10/11	COMP. HEAT EXCHANGER 10/11	1	-				
23	T155700000	INTERCAMBIADOR COMPL. 20/11	COMP. HEAT EXCHANGER 20/11	-	1				
	Q232040000	ARANDELA A6	WASHER A6	12	12				
	Q262040000	ARANDELA GROW. A6 A.304	WASHER GROW. A6 A.304	12	12				
	Q163040000	TUERCA EXAGONAL M6 LATON	HEXAGONAL NUT M6 BRASS	12	12				
24	T092615000	SEPARA CENTRAL 20-11/20-21	CENTRAL SEPARATOR 20-11/20-	-	1				
	Q262040000	ARANDELA GROW. A6 A.304	WASHER GROW. A6 A.304	-	2				
	Q162040000	TUERCA EXAGONAL M6	HEXAGONAL NUT M6	-	2				
25	R725052000	JUNTA COLECTOR 10/11	MANIFOLD SEAL 10/11	2	-				
25	T145711000	JUNTA COLECTOR 20/11	MANIFOLD SEAL 20/11	-	2				
	Q232040000	ARANDELA A6	WASHER A6	4	4				
	Q242040000	ARANDELA ABANICO A6	FAN WASHER A6	4	4				
	Q162040000	TUERCA EXAGONAL M6	HEXAGONAL NUT M6	4	4				

Зип Общепит

vsezip.ru

+7(812)987-08-81



N plano	Firma	Fecha	Aparato	PARTE ELECTRICA PORTAMANDOS	Lamina	Fagor Industrial S.Coop. FAGOR
C-1980	<i>[Signature]</i>	2008-02	HORNO HGV-10/11; 20/11		12	Onote

Зип Общепит

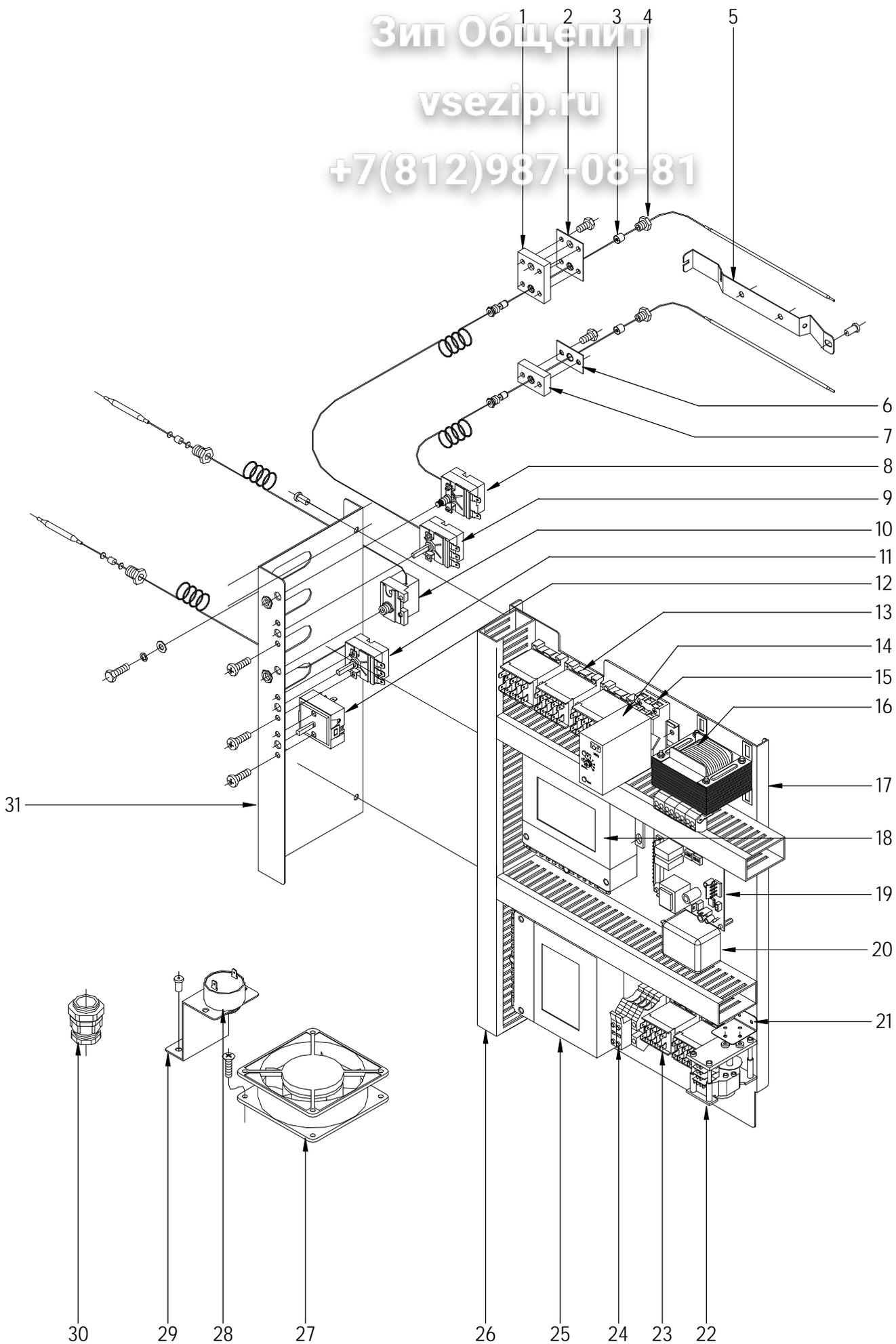
vsezip.ru

MOD.		HORNOS		PARTE ELECTRICA PORTAMANDOS	
ITEM	CODIGO	DENOMINACION	TEXTO	HGV-10/11	HGV-20/11
1	R693056000	PILOTO AMBAR 41227000A4	AMBER PILOT 41227000A4	2	2
2	R693055000	PILOTO VERDE 41227000C7	GREEN PILOT 41227000C7	1	1
3	T113083000	SERIGRAFIA HGV-10/11 20/11	SERIGRAPHY HGV-10/11 20/11	1	1
4	T112849000	PORTAMANDOS COMP. HGV-10/11	COMP. CONTROL HOLDER HGV-	1	-
4	T132830000	PORTAMANDOS COMP. HGV-20/11	COMP. CONTROL HOLDER HGV-	-	1
5	R663092000	CONECTOR 2 VIAS	2-WAY CONNECTOR	1	1
6	R663089000	CONJUNTO TERMOPAR VAPOR	STEAM THERMOCOUPLE UNIT	1	1
7	R662659000	APOYO RACORD SONDA	PROBE CONNECTION SUPPORT	1	1
8	R692811000	JUNTA PASAMUROS DOBLE	DOUBLE FEEDTHROUGH GASKE	1	1
9	R662652000	BICONO CIERRE SONDA	PROBE CLOSING BICONE	1	1
10	R662629000	RACORD CIERRE SONDA	PROBE CLOSING CONNECTION	1	1
	Q032021000	TORNILLO ALOMADO M4X10	CURVED SCREW M4X10	6	6
	Q232020000	ARANDELA A-4	WASHER A-4	6	6
11	R663046000	JUNTA CONMUTADOR	SWITCH SEAL	2	2
12	R663062000	BOTÓN DE MANDO COMPLETO	COMPLETE CONTROL BUTTON	2	2
13	T133036000	BASE SUJECION SONDA	PROBE ATTACHMENT BASE	1	1
14	T133037000	TAPA SUJECION SONDA	PROBE ATTACHMENT COVER	1	1
15	R092633000	RETENEDOR DE SONDA	PROBE RETAINER	-	3
	Q412002000	REMACHE AVINOX Ø4x10MM	RIVET AVINOX Ø4x10MM	-	3
16	T113088000	CONJUN. SONDA NUCLEO K XX/11	CORE PROBE UNIT K XX/11	1	1
	Q221341000	REMACHE EXAGONAL M4	HEXAGONAL RIVET M4	2	2
17	R663063000	BOTÓN DE MANDO COMPLETO	COMPLETE CONTROL BUTTON	1	1
18	R663045000	JUNTA POTENCIOMETRO	POTENTIOMETER SEAL	1	1
	R662810000	ARANDELA GUIA	GUIDE WASHER	1	1
19	R662809000	GUIA BOTON DE MANDO	CONTROL BUTTON GUIDE	1	1
	Q151346000	TORNILLO AVELLANADO M3x5	COUNTERSUNK BOLT M3x5	2	2
20	T113040000	PILOTO ROJO	RED PILOT LIGHT	1	1
21	R693056000	PILOTO AMBAR 41227000A4	AMBER PILOT 41227000A4	1	1
22	Z953035000	TERMOSTATO LIMITADOR AVISO	LIMITER THERMOSTAT WARNING	1	1
23	Z213033000	PULSADOR MARCHA	START BUTTON	2	2
24	R743008000	INTERRUPTOR REGULAC. SONDA	PROBE REGULATOR SWITCH	1	1

Зип Общепит

vsezip.ru

+7(812)987-08-81



N plano	Firma	Fecha	Aparato	PANEL CUADRO ELECTRICO	Lamina	Fagor Industrial S.Coop. FAGOR
C-1981	<i>[Signature]</i>	2008-02	HORNO HGV-10/11; 20/11	13	Oñate	

Зип Общепит

vsezip.ru

+7(812)987-08-81

MOD.	HORNOS	ZONA	CUADRO ELECTRICO				
ITEM	CODIGO	DENOMINACION	TEXTO	HGV-10/11	HGV-20/11		
1	R662659000	APOYO RACORD SONDA	PROBE CONNECTION SUPPORT	1	1		
2	R692811000	JUNTA PASAMUROS DOBLE	DOUBLE FEEDTHROUGH GASKE	1	1		
	Q032021000	TORNILLO ALOMADO M4X10	CURVED SCREW M4X10	6	6		
	Q232020000	ARANDELA A-4	WASHER A-4	6	6		
3	R662662000	JUNTA CIERRE BULBO LIMITADOR	BULB LIMITER CLOSING SEAL	2	2		
4	R662629000	RACORD CIERRE SONDA	PROBE CLOSING CONNECTION	2	2		
5	R662683000	SOPORTE BULBO	BULB SUPPORT	2	2		
	Q412002000	REMACHE AVINOX Ø4x10MM	RIVET AVINOX Ø4x10MM	6	6		
6	R692812000	JUNTA PASAMUROS SIMPLE	SIMPLE FEEDTHROUGH SEAL	1	1		
7	T112625000	BASE CIERRE SONDA	PROBE LOCK BASE	1	1		
8	R243016000	LIMITADOR DE TEMPERATURA	TEMPERATURE LIMITER	1	1		
9	R343018000	TERMOSTATO VAPOR	STEAM THERMOSTAT	1	1		
10	Z953036000	TERMOSTATO LIMITADOR CORTE	CUT-OFF LIMITER THERMOSTAT	1	1		
11	R343100000	TERMOSTATO CONDUCT. VAPOR	THERMOSTAT STEAM PIPE	1	1		
12	S333001000	REGULADOR DE ENERGIA	ENERGY REGULATOR	1	1		
13	Z683087000	CONTACTOR 3TF20 01-3AL2 230	CONTACTOR 3TF20 01-3AL2 230	3	3		
14	R343072000	DETECTOR DE NIVELES	LEVEL DETECTOR	1	1		
15	R743009000	BASE ENCHUFABLE UNDECAL	PLUG-IN BASE UNDECAL	1	1		
	Z123019000	GUIA CONTACTOR L-175	CONTACTOR GUIDE L-175	1	1		
	Q412002000	REMACHE AVINOX Ø4x10MM	RIVET AVINOX Ø4x10MM	4	4		
16	R503005000	TRANSFORMADOR	TRANSFORMER	1	1		
	Q012021000	TORNILLO EXAGONAL M4x10	HEXAGONAL BOLT M4x10	4	4		
	Q162020000	TUERCA EXAGONAL M4	HEXAGONAL NUT M4	4	4		
17	T133005000	PANEL CUADRO HVG	CONTROL PANEL HVG	1	1		
	Q221343000	REMACHE EXAGONAL M6	HEXAGONAL RIVET M6	4	4		
	Q232040000	ARANDELA A6	WASHER A6	4	4		
	Q262040000	ARANDELA GROW. A6 A.304	WASHER GROW. A6 A.304	4	4		
	Q012042000	TORNILLO EXAGONAL M6x15	HEXAGONAL BOLT M6x15	4	4		
18	Z953004000	CONTROL COMBUSTION	COMBUSTION CONTROL	1	1		

Зип Общепит

MOD.		HORNOS		ZONA		CUADRO ELECTRICO			
ITEM	CODIGO	DENOMINACION	TEXTO	HGV-10/11	HGV-20/11				
19	T303048000	VARIADOR DE HORNO GAS 4V	GAS OVEN VARIATOR 4V	1	1				
	T133007000	DISTANCIADOR M3	SPACER M3	4	4				
	T133008000	TORNILLO AMARRE M3	ANCHORING SCREW M3	4	4				
	Q161310000	TUERCA EXAGONAL M3 H.ZINCA.	HEXAGONAL NUT M3 ZINC-COAT	4	4				
20	T113023000	FILTRO DE ENTRADA	INPUT FILTER	1	1				
21	T143014000	CHAPA PROGRAMADOR HVG20	PROGRAMMER PLATE HVG20	1	1				
22	R763006000	PROGRAMADOR INVERSION GIRO	INVERT ROTATION PROGRAMME	1	1				
23	Z743009000	CONTACT. SIRIUS 3RT10 16-2AP02	CONTACT. SIRIUS 3RT10 16-2AP	2	2				
24	P453026000	BORNE TIERRA 10 WPE-10103.O	EARTH TERMINAL 10 WPE-10103	1	1				
	R073005000	BORNAS PORTA FUSIBLES	FUSE HOLDER TERMINALS	3	3				
	R723015000	FUSIBLE CRISTAL 10A.	GLASS FUSE 10A.	2	2				
	Z263302000	BORNA DE PASO AZUL	BLUE THROUGH TERMINAL	1	1				
	Z683068000	SEÑALIZ.DEK-6WEIDMULLER	SIGNS DEK-6WEIDMULLER	1	1				
	Z263303000	TOPE FINAL	END STOP	1	1				
25	Z953004000	CONTROL COMBUSTION	COMBUSTION CONTROL	1	1				
26	3715520000	CANALETA UNEX 60.30.77	PIPING UNEX 60.30.77	7	7				
	3715510000	CANALETA UNEX 60.60.77	PIPING UNEX 60.60.77	1	1				
27	Z103066000	VENTILADOR 230V.50-60HZ	FAN 230V.50-60HZ	2	2				
	Q081365000	TORN. ALOMADO M4,8X19 H.ZINC.	HEXAGONAL CURVED M4.8X19 H	6	6				
	Q908010000	BRIDA CREMALLERA	RACK FLANGE	6	6				
28	R693067000	ZUMBADOR	BUZZER	1	1				
29	T143001000	SOPORTE ZUMBADOR	BUZZER SUPPORT	1	1				
	Q412002000	REMACHE AVINOX Ø4x10MM	RIVET AVINOX Ø4x10MM	2	2				
30	R073004000	PRENSA ESTOPAS	STUFFING BOX	1	1				
31	T133006000	APOYO COMPONENTES HVG	COMPONENT SUPPORT HVG	1	1				
	Q412002000	REMACHE AVINOX Ø4x10MM	RIVET AVINOX Ø4x10MM	4	4				
	Q151320000	TORNILLO ALOMADO M4x6 H,ZINC.	CURVED SCREW M4x6 H,ZINC.	6	6				
	Q012042000	TORN. EXAGONAL M6X15 AISI 304	HEXAGONAL BOLT M6X15 AISI 304	4	4				
	Q262040000	ARANDELA GROW. A6 A.304	WASHER GROW. A6 A.304	4	4				
	Q232040000	ARANDELA A6	WASHER A6	4	4				

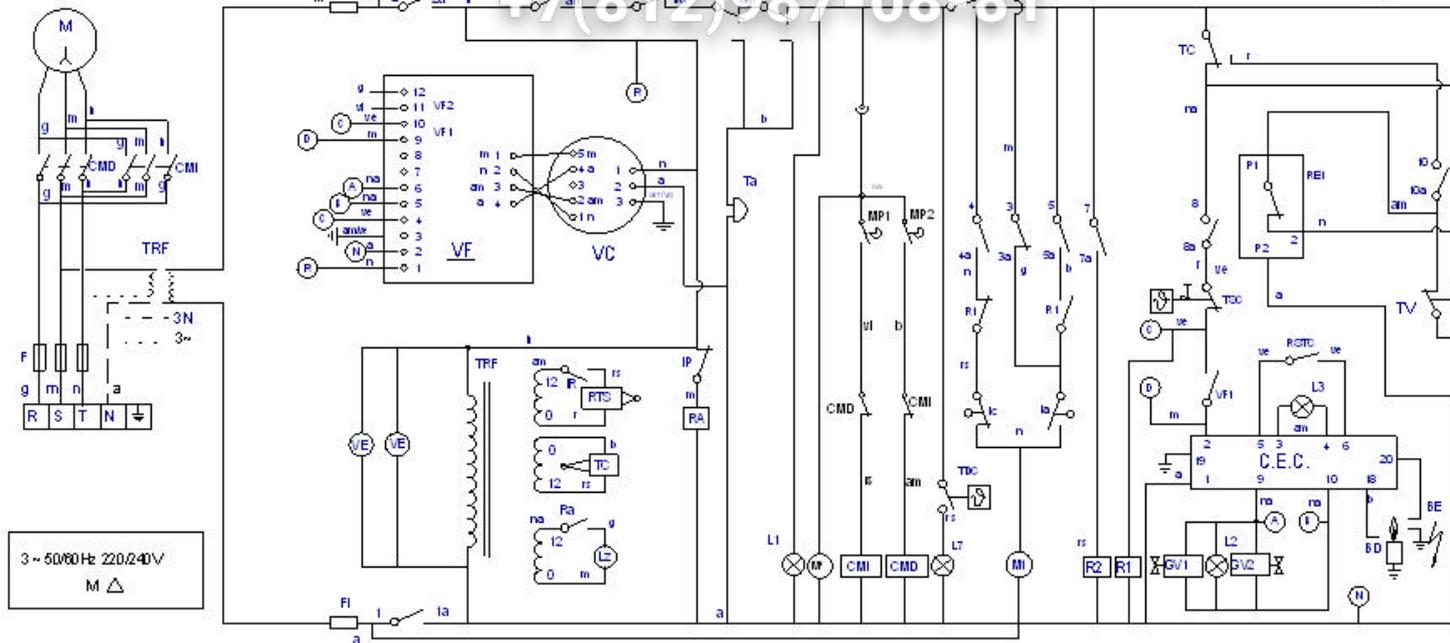
MOD.		HORNO		ZONA		PIEZAS ESPECIFICAS PARA LOS DISTINTOS GASES Y DIFERENTES FRECUENCIAS			
ITEM	CODIGO	DENOMINACION	TEXTO	HGV-10/11	HGV-20/11	HGV-10/11 A			
		BUTANO PROPANO 50 HZ	BUTANE PROPANE 50 HZ						
18	Z952201000	VALVULA SIT 830.034 50 Hz	VALVE SIT 830.034 50 Hz	1	1	1			
1	T115097000	VALVULA REGUL. BP 50 Hz 10/11	CONTROL VALVE BP 50 Hz 10/11	1	-	1			
1	T135037000	VALVULA REGUL. BP 50 Hz 20/11	CONTROL VALVE BP 50 Hz 20/11	-	1	-			
12	T115082000	ARANDELA Ø 18 BP	WASHER Ø 18 BP	1	-	1			
12	T135035000	ARANDELA Ø 22 BP	WASHER Ø 22 BP	-	1	-			
		BUTANO PROPANO 60 HZ	BUTANE PROPANE 60 HZ						
S/Nº	T322607000	REDUCCION CUBREVENT. 60Hz	FAN COVER REDUCTION 60Hz	1	2	-			
18	Z953501000	VALVULA SIT 830.062 60 Hz	VALVE SIT 830.062 60 Hz	1	1	-			
1	T115100000	VALVULA REGUL. BP 60Hz 10/11	CONTROL VALVE BP 60Hz 10/11	1	-	-			
1	T135040000	VALVULA REGUL. BP 60 Hz 20/11	CONTROL VALVE BP 60 Hz 20/11	-	1	-			
12	T115082000	ARANDELA Ø 18 BP	WASHER Ø 18 BP	1	-	-			
12	T135035000	ARANDELA Ø 22 BP	WASHER Ø 22 BP	-	1	-			
		GAS NATURAL 50 HZ	NATURAL GAS 50 HZ						
18	Z952201000	VALVULA SIT 830.034 50 Hz	VALVE SIT 830.034 50 Hz	1	1	1			
S/Nº	Z956104000	INYECTOR Ø1.1 A-15009	INJECTOR Ø1.1 A-15009	12	-	-			
S/Nº	Z956109000	INYECTOR Ø1.2	INJECTOR Ø1.2	-	-	12			
1	T115098000	VALVULA REGUL. GN 50 Hz 10/11	CONTROL VALVE GN 50 Hz 10/11	1	-	1			
1	T135039000	VALVULA REGUL. GN 50 Hz 20/11	CONTROL VALVE GN 50 Hz 20/11	-	1	-			
12	T115083000	ARANDELA Ø 20 GN	WASHER Ø 20 GN	1	-	1			
12	T135036000	ARANDELA Ø 26.3 GN	WASHER Ø 26.3 GN	-	1	-			

Зип Общепит

НСУ-10/11
vsezip.ru

+7(812)987-0881

3N~ 50/60Hz 380/415V

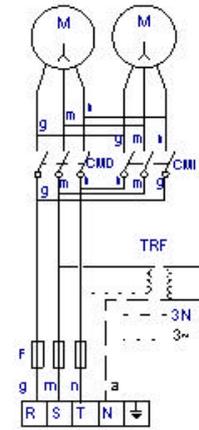


3~ 50/60Hz 220/240V
M Δ

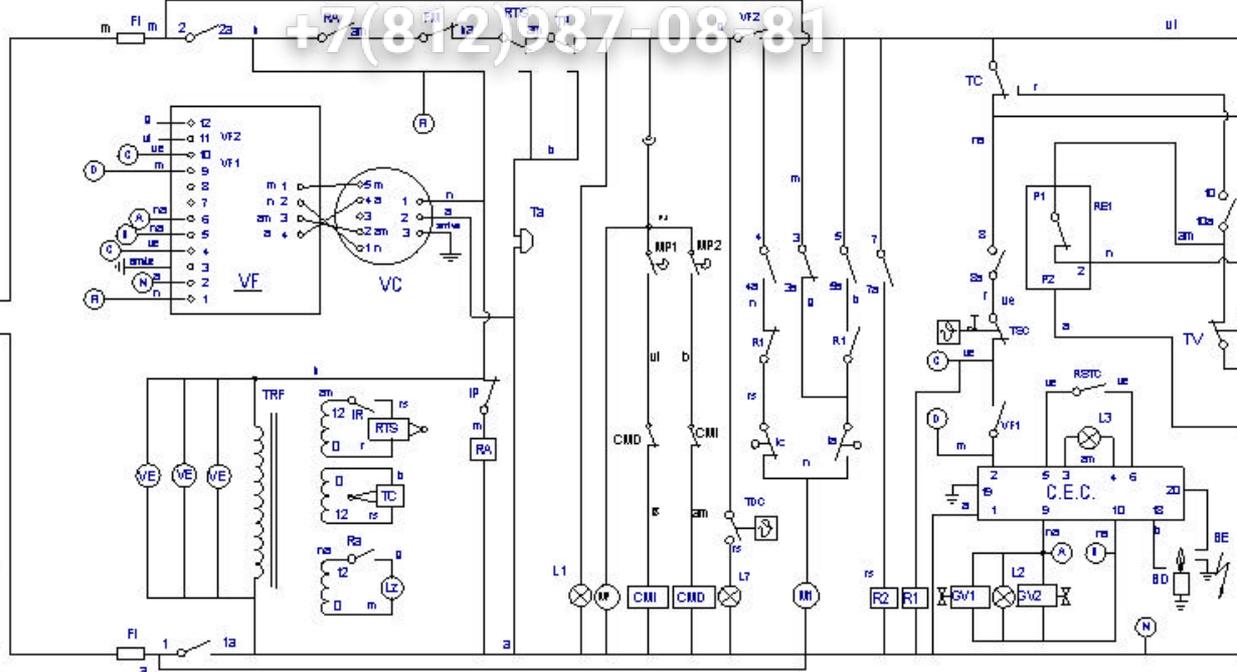
Esquema teórico adhesivo		
Nº		
Nº	Modificación	
	Firma	Fecha
Dibujado	M.Mallb	22.09.00
Proyectado	M.Mallb	22.09.00
Comprobado	<i>[Signature]</i>	22.09.00
Escala		
5	H	
Nota: para cableado ver lista de materiales		

+7(812)987-0881

3N~ 50/60Hz 380/415V



3~ 50/60Hz 220/240V
M Δ



Esquema teórico adhesivo		
Nº		
Nº	Modificación	
	Firma	Fecha
Dibujado	M.Mallo	22/11/20
Proyectado	M.Mallo	22/11/20
Comprobado		22/11/20
Escala		
5		

CODIGO DE COLORES:

r = rojo
a = azul
m = marrón
g = gris
i = negro
b = blanco
ul = uloklet
am = amarillo
ia = naranja
rs = rosa
ue = verde
am/ue = amarillo verde

COMPONENTES:

BD = Bujía de detector de llama
BE = Bujía de Encendido
C = Condensador Motor
C.E.C. = Control Encendido cámara
C.E.V. = Control encendido vapor
CN = Control nivel de agua
⊙ F, F1, F2, F3 = Fusible
FF = Filtro interferencias
FM = Térmico Motor
GV1 = Electroválvula de gas cámara (Control)
GV2 = Electroválvula de gas cámara (Seguridad)
GV4 = Electroválvula de gas vapor (Control)
GV5 = Electroválvula de gas vapor (Seguridad)
la = Micro chimenea abierta
lc = Micro chimenea cerrada
IG = Interruptor general
IP = Interruptor puerta
IR = Selector regulador sonda núcleo
L1 = Lámpara de funcionamiento
L2 = Lámpara calentamiento cámara
L4 = Lámpara entrada de vapor
L3 = Lámpara indicador de bloqueo cámara
L5 = Lámpara indicador de bloqueo vapor
L6 = Lámpara seguridad de vapor
L7 = Lámpara detección de cal
Lz = Luz interior cámara
M = Motor
M1 = Motor accionamiento chimenea
R2, R1, Ra = Relé Auxiliar
RE1 = Regulador de energía
RSTC = Pulsador de rearme cámara
RSTV = Pulsador de rearme vapor
RTS = Regulador sonda núcleo
T100 = Termostato fijo 100°C
Ta = Timbre avisador
TC = Termostato cámara
TCN = Termostato condensación
TDC = Termostato detección de cal
⊙ TP, TMP = Temporizador
⊙ TRF, TRF1 = Transformador
TSC = Termostato seguridad cámara
TSV = Termostato seguridad de vapor
TV = Termostato de vapor
V1 = Electroválvula de agua de llenado
VC = Ventilador centrífugo premezcla
VCN = Electroválvula de agua de condensación
VE = Ventilador cuadro eléctrico
VF = Variador de frecuencia

CODES DE COULEURS:

r = rouge
a = bleu
m = marron
g = gris
i = noir
b = blanc
ul = uloklet
am = jaune
ia = orange
rs = rose
ue = vert
am/ue = jaune/vert

COMPOSANTS:

BD = Veilleuse de détection de flamme
BE = Veilleuse d'allumage
C = Condensateur moteur
C.E.C. = Contrôle d'allumage de chambre
C.E.V. = Contrôle d'allumage de vapeur
CN = Contrôle du niveau d'eau
⊙ F, F1, F2, F3 = Fusible
FF = Filtre interférences
FM = Moteur thermique
GV1 = Electrovalve de chambre gaz (contrôle)
GV2 = Electrovalve de chambre gaz (sécurité)
GV4 = Electrovalve de vapeur gaz (contrôle)
GV5 = Electrovalve de vapeur gaz (sécurité)
la = Micro cheminée ouverte
lc = Micro cheminée fermée
IG = Interrupteur général
IP = Interrupteur de porte
IR = Sélecteur régulateur de sonde noyau
L1 = Lampe de fonctionnement
L2 = Lampe de chauffe chambre
L4 = Lampe d'arrivée de vapeur
L3 = Lampe témoin de blocage de chambre
L5 = Lampe témoin de blocage de vapeur
L6 = Lampe de sureté de vapeur
L7 = Lampe de détection de calcaire
Lz = Lumière intérieure de chambre
M = Moteur
M1 = Actionnement moteur de cheminée
R2, R1, Ra = Relais auxiliaire
RE1 = Régulateur d'énergie
RSTC = Bouton de réarmement de chambre
RSTV = Bouton de réarmement de vapeur
RTS = Régulateur de sonde noyau
T100 = Thermostat fixe 100°C
Ta = Sonnerie d'alarme
TC = Thermostat de chambre
TCN = Thermostat de condensation
TDC = Thermostat de détection de calcaire
⊙ TP, TMP = Temporisateur 0-120
⊙ TRF, TRF1 = Transformateur
TSC = Thermostat de sureté de chambre
TSV = Thermostat de sureté de vapeur
TV = Thermostat de vapeur
V1 = Electrovalve de remplissage d'eau
VC = Ventilateur de centrifugeuse de prémélange
VCN = Electrovalve de condensation d'eau
VE = Ventilateur tableau électrique
VF = Variateur de fréquence

Зип Общесит

vsezin.ru

+7(812)98-08-81

CODICE COLORE:

r = rosso
a = blu
m = marrone
g = grigio
i = nero
b = bianco
ul = uloklet
am = giallo
ia = arancio
rs = rosa
ue = verde
am/ue = giallo/verde

COMPONENTS:

BD = Flame detector spark plug
BE = Ignition spark plug
C = Motor condenser
C.E.C. = Cooking chamber ignition control
C.E.V. = Steam ignition control
CN = Water level control
⊙ F, F1, F2, F3 = Fusible
FF = Interference filter
FM = Motor thermal switch
Cooking chamber gas solenoid valve (control)
GV2 = Cooking chamber gas solenoid valve (safety)
GV4 = Steam gas solenoid valve (control)
GV5 = Steam gas solenoid valve (safety)
la = Chimney open microswitch
lc = Chimney closed microswitch
IG = Interrupter general
IP = Door switch
IR = Core probe regulator selector
L1 = On/off lamp
L2 = Cooking chamber heating lamp
L4 = Steam inlet lamp
L3 = Cooking chamber lock indicator lamp
L5 = Steam lock indicator lamp
L6 = Steam safety lamp
L7 = Lime detection lamp
Lz = Cooking chamber interior lamp
M = Motor
M1 = Chimney drive motor
R2, R1, Ra = Auxiliary relay
RE1 = Energy regulator
RSTC = Cooking chamber reset button
RSTV = Steam reset button
RTS = Core probe regulator
T100 = Fixed 100°C thermostat
Ta = Warning buzzer
TC = Cooking chamber thermostat
TCN = Condensation thermostat
TDC = Lime detection thermostat
⊙ TP, TMP = 0-120 timer
⊙ TRF, TRF1 = Transformer
TSC = Cooking chamber safety thermostat
TSV = Steam safety thermostat
TV = Steam thermostat
V1 = Water filling solenoid valve
VC = Pre-mix centrifuge fan
VCN = Condensation water solenoid valve
VE = Switchboard fan
VF = Frequency inverter

FARBENCODE:

r = rot
a = blau
m = braun
g = grau
i = schwarz
b = weiss
ul = uloklet
am = gelb
ia = orange
rs = rosa
ue = grün
am/ue = gelb/grün

KOMPONENTEN:

BD = Zündkerze des Flammendetektors
BE = Zündkerze der Zündung
C = Motorkondensator
C.E.C. = Zündkontrolle Kammer
C.E.V. = Zündkontrolle Dampf
CN = Kontrolle Wasserstand
⊙ F, F1, F2, F3 = Fusible
FF = Interferenzfilter
FM = Thermomotor
GV1 = Elektroventil Gas, Kammer (Kontrolle)
GV2 = Elektroventil Gas, Kammer (Sicherheit)
GV4 = Elektroventil Gas, Dampf (Kontrolle)
GV5 = Elektroventil Gas, Dampf (Sicherheit)
la = Mikroschacht geöffnet
lc = Mikroschacht geschlossen
IG = Hauptschalter
IP = Türschalter
IR = Wählregler Kernsonde
L1 = Funktionsleuchtanzeige
L2 = Erwärmungsleuchtanzeige Kammer
L4 = Leuchtanzeige Dampfeintritt
L3 = Leuchtanzeige Blockierung Kammer
L5 = Leuchtanzeige Blockierung Dampf
L6 = Sicherheitsleuchtanzeige Dampf
L7 = Kalkanzeige
Lz = Innenbeleuchtung Kammer
M = Motor
M1 = Motorantrieb Mikroschacht
R2, R1, Ra = Relé Auxiliar
RE1 = Hilfsrelais
RSTC = Bedienungstaste Durch, Auf
RSTV = Bedienungstaste Durch, Auf
RTS = Kernsondenregler
T100 = Thermostat auf 100°C
Ta = Meldeklögel/Lautwerk
TC = Thermostat Kammer
TCN = Kondensationsthermostat
TDC = Thermostat Kalkanzeige
⊙ TP, TMP = Zeitschalter 0-120
⊙ TRF, TRF1 = Transformator
TSC = Sicherheitsthermostat Kammer
TSV = Sicherheitsthermostat Dampf
TV = Dampfthermostat
V1 = Bektroventil Wasserfüllung
VC = Zentrifugalküfer Vormischung
VCN = Bektroventil Kondenswasser
VE = Schalttafelventilator
VF = Frequenzwandler