

Зип Общепит

vsezip.ru

DESPIECE TECNICO / SPARE PARTS BOM

+7(812)987-08-81

Hornos a gas
Fours à gaz
Gas ovens
Gas heissluftdämpfer
Forni a gas
Fornos a gás

Modelos / Models:

AG-102
ACG-102
APG-102

Septiembre 2012 September

Revisado Abril 2016 April Revised

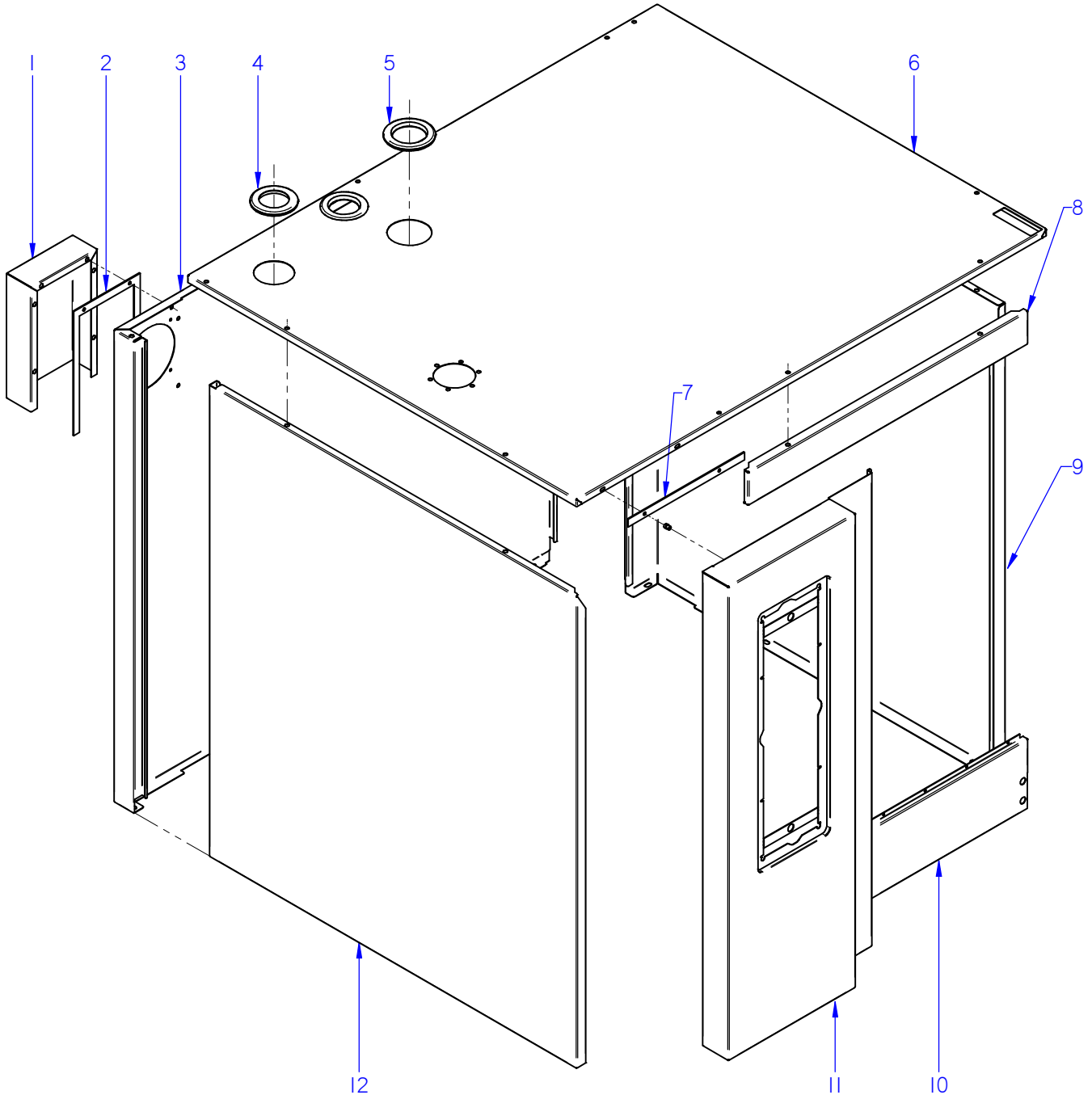


F A G O R I N D U S T R I A L

Зип Общепит

vsezip.ru

+7(812)987-08-81



ITEM MARCADO EN COLOR = REPUESTO RECOMENDADO
COLOURED ITEM = RECOMMENDED SPARE PART

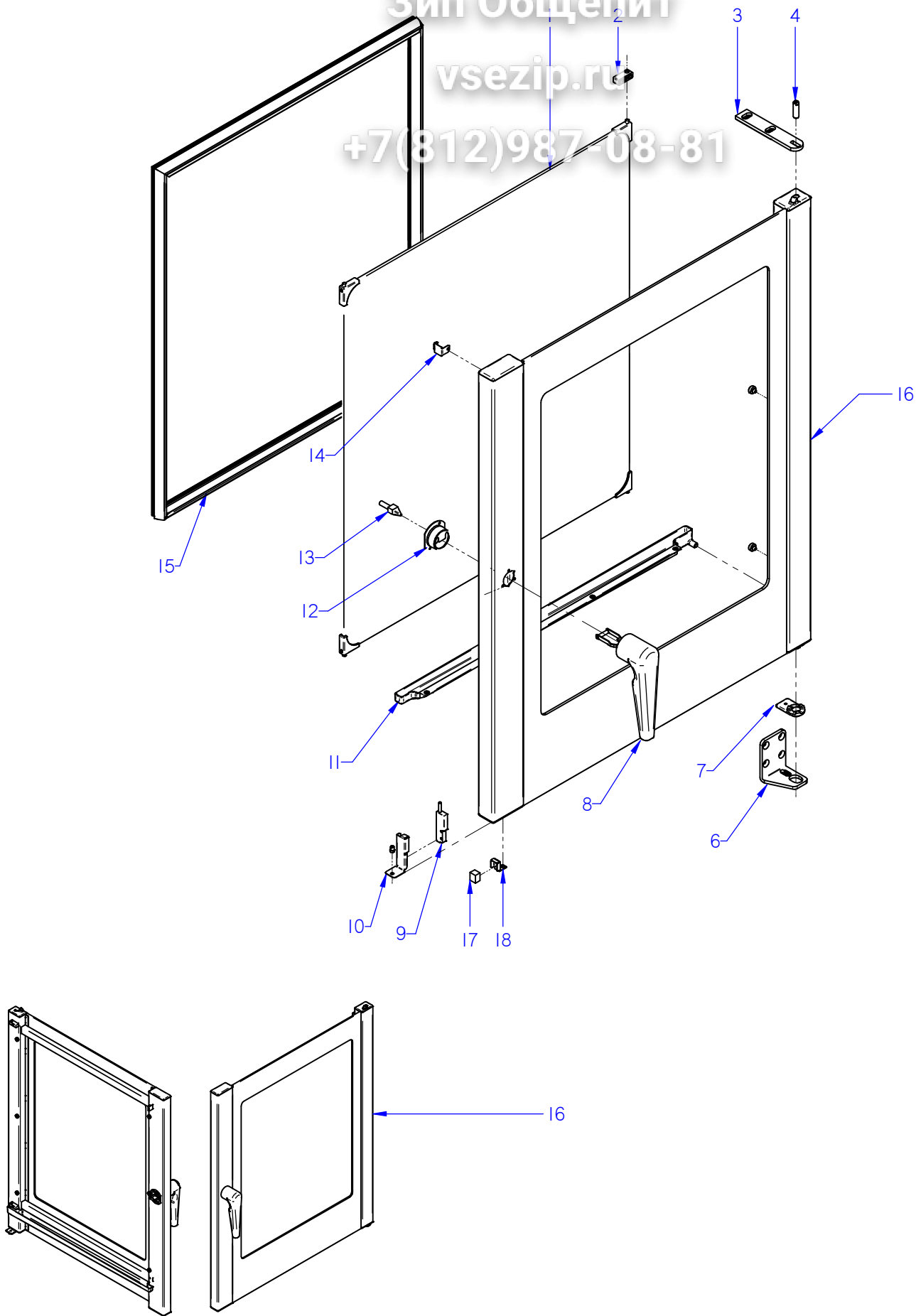
Nº plano / N° plane	Firma	Fecha / Date	Denominación / Denomination:	MUEBLE / UNIT	Lamina / Sheet	Fagor Industrial S.Coop. FAGOR
C-3059	<i>(Signature)</i>	2012-09	HORNOS AG; ACG; APG-102		1	Oñate

MOD. HORNOS / OVEN		ZONA / ZONE		MUEBLE / UNIT						
ITEM	CODIGO REFERENCE	DENOMINACION	DENOMINATION	ACG-102	AG-102	APG-102				
1	12022537	CHAPA SEPARACION IPX5	SEPARATION PLATE IPX5	1	1	1				
2	12024082	JUNTA IPX5	SEAL IPX5	1	1	1				
3	12041375	PANEL POSTER EXTER 102 ADV	REAR EXTERIOR PANEL102 ADV	1	1	1				
4	12024231	PASAMUROS CHIMENEA 101003361	FEED THROUGH FLUE PIPE 101003361	2	2	2				
5	12039438	PASAMUROS Ø 60	FEED THROUGH Ø 60	1	1	1				
6	12044391	PANEL SUPERIOR ACG 102	SUP. EXTERIOR PANEL ACG 102	1	–	–				
6	12044327	PANEL SUPERIOR APG 102	SUP. PANEL APG 102	–	1	1				
7	12039370	JUNTA PORTAMANDOS X02	CONTROL PANEL SEAL X02	1	1	1				
8	12041372	PANEL FRONTAL SUPE.102 ADV	UPPER FRONT PANEL ADV 102	1	1	1				
9	12041374	PANEL EXTERIOR DCHO.102 ADV	RIGHT PANEL102 ADV	1	1	1				
10	12043909	PANEL FRONTAL INFER. ACE 102	LOWER FRONT PANEL ACE 102	1	–	–				
10	12041373	PANEL FRONTAL INFER. 102 ADV	LOWER FRONT PANEL 102 ADV	–	1	1				
11	12041356	PORTAMANDOS 102	CONTROL PANEL 102	1	1	1				
12	12041602	PANEL EXTER. IZDO. 102	REAR LEFT PANEL 102	1	1	1				

Зип Общепит

vsezip.ru

+7(812)987-08-81



ITEM MARCADO EN COLOR = REPUESTO RECOMENDADO
COLOURED ITEM = RECOMMENDED SPARE PART

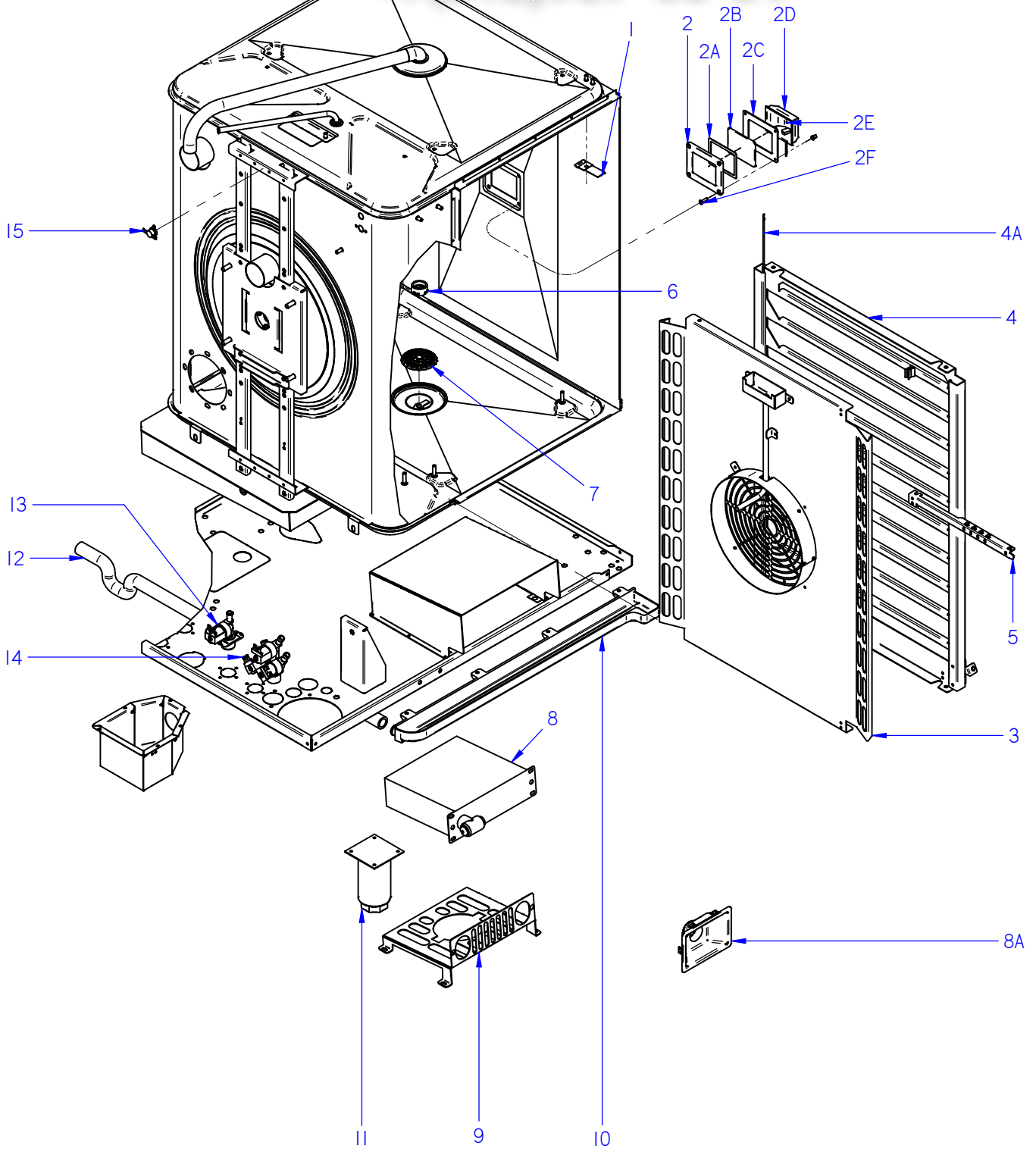
Nº plano / N° plane	Firma / Signature	Fecha / Date	Denominación / Denomination:	PUERTA / DOOR	Lamina / Sheet	Fagor Industrial S.Coop. FAGOR
C-3060	Iban R.	03-2015	HORNOS AG; ACG; APG-102		2	Oñate

MOD.		HORNOS / OVEN	ZONA / ZONE	PUERTA / DOOR						
ITEM	CODIGO REFERENCE	DENOMINACION	DENOMINATION	ACG-102	AG-102	APG-102				
1	12046043	KIT CRISTAL INTER. 102	102 INNER GLASS KIT	1	1	1				
2	12039508	BISAGRA CRISTAL INTERIOR	INNER GLASS HINGE	2	2	2				
	12010209	TORNILLO AVELLANADO M5X15	COUNTERSUNK SCREW M.5x15	2	2	2				
3	12039312	BISAGRA SUPERIOR	UPPER HINGE	1	1	1				
4	12023636	EJE SUPERIOR	UPPER SHAFT	1	1	1				
6	12043391	BISAGRA INFERIOR ADVANCE	BOTTOM HINGE ADVANCE	1	1	1				
7	12039311	BASE BISAGRA INFERIOR PUERTA	LOWER DOOR HINGE BASE	1	1	1				
7	12047967	BASE BISAGRA INFERIOR 6 DIEN	LOWER HINGE BASE	1	1	1				
8	12047580	REP. MANILLA 1/1 ADVANCE	HANDLE 1/1 ADVANCE	1	1	1				
9	12024560	INTERRUPTOR MAGNETICO AC	MAGNETIC SWITCH AC	1	1	1				
10	12022166	SOPORTE MICRO PUERTA	DOOR MICRO SWITCH	1	1	1				
11	12039451	RECOGEAGUAS PUERTA 2/1	DOOR SPRING WATER COLLECTOR 6	1	1	1				
12	12023553	EMBELLECEDOR POSTERI. ASA	REAR TRIM HANDLE	1	1	1				
12	12091814	EMBELLECEDOR PUERTA ADV-UL	DOOR TRIM ADV-UL	1	1	1				
13	12023849	ANCLAJE PUERTA	DOOR ANCHORING	1	1	1				
	12009970	REMACHE EXAGONAL M.5 INOX	HEXAGONAL RIVET M.5 INOX	2	2	2				
14	12041725	MUELLE CIERRE CRISTAL INTERIOR	INNER GLASS SPRING LOCK	1	1	1				
15	12041578	JUNTA PUERTA COMPL.102 ADV	DOOR JOINT 102 ADV	1	1	1				
16	12046020	KIT PUERTA 102	DOOR 102 KIT	1	1	1				
17	12024303	IMAN	MAGNET	1	1	1				
18	12049358	SOPORTE IMAN	MAGNET SUPPORT	1	1	1				

Зип Общепит

vsezip.ru

7(812)987-08-81



ITEM MARCADO EN COLOR = REPUESTO RECOMENDADO
COLOURED ITEM = RECOMMENDED SPARE PART

Nº plano / N° plane C-3061	Firma / Signature Iban R.	Fecha / Date 04-2016	Denominación / Denomination: MUEBLE INTERIOR / INTERIOR OVEN HORNOS AG; ACG; APG-102	Lamina / Sheet 3	Fagor Industrial S.Coop. FAGOR Oñate
-------------------------------	------------------------------	-------------------------	--------------------------------------------------------------------------------------------	---------------------	------------------------------------------------

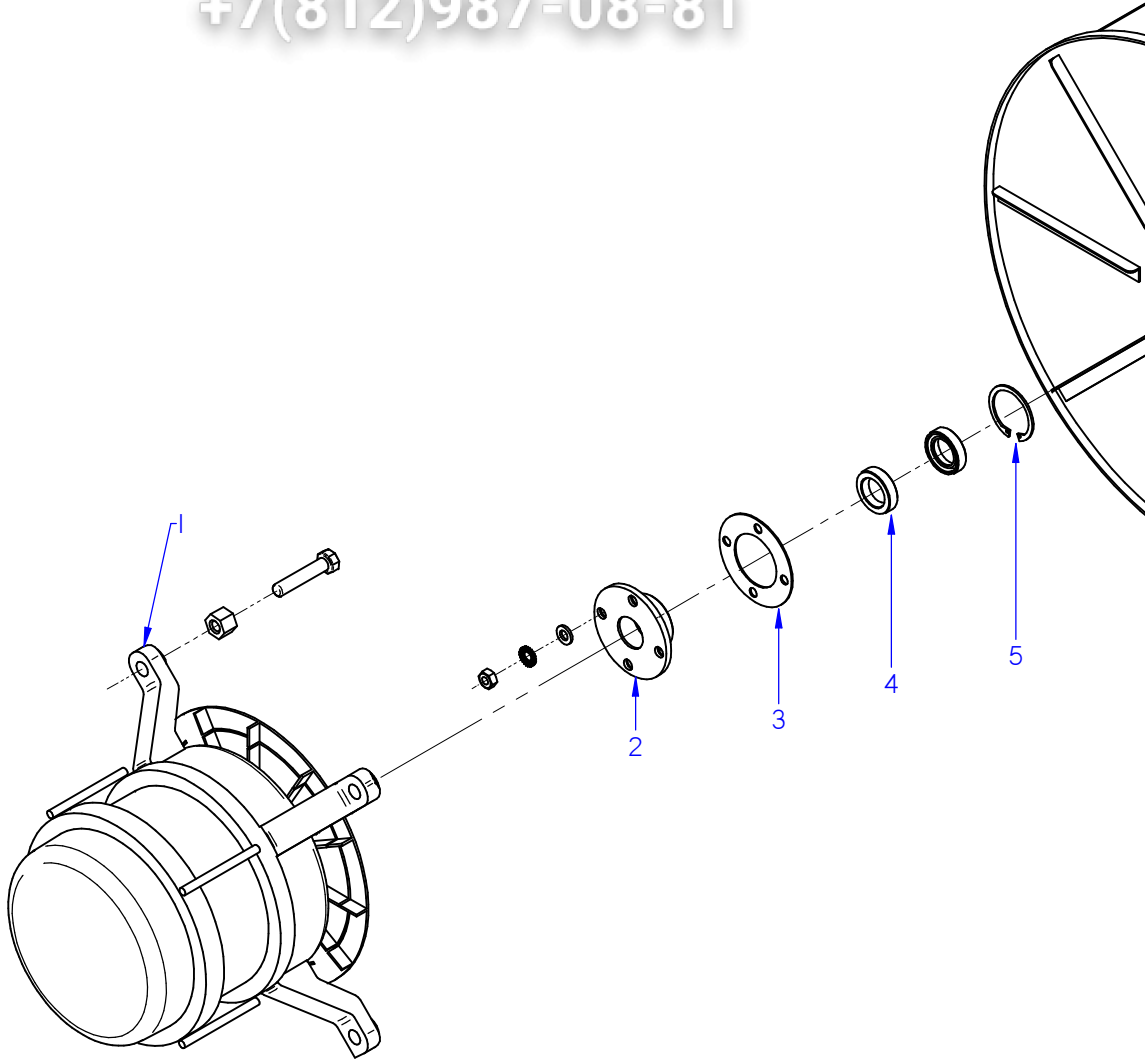
+7(812)987-08-81

MOD.	HORNOS / OVEN	ZONA / ZONE	MUEBLE INTERIOR / INTERIOR OVEN						
ITEM	CODIGO REFERENCE	DENOMINACION	DENOMINATION	ACG-102	AG-102	APG-102			
1	12041767	SOPORTE SONDA PINCHO CAMARA	CAMERA PROBE SUPP. PINCHO	2	2	2			
2	12024464	MARCO LAMPARA	LAMP ANCHORING PLATEN	1	1	1			
2A	12023532	JUNTA INTERIOR LAMPARA	LAMP INNER JOINT	1	1	1			
2B	12023668	CRISTAL LAMPARA	LAMP GLASS	1	1	1			
2C	12023578	JUNTA EXTERIOR LAMPARA	LAMP OUTER JOINT	1	1	1			
2D	12024545	PORTALAMPARAS	LAMP HOLDER	1	1	1			
2E	12025123	LAMPARA 10W-12V	LIGHT 10W 12V	1	1	1			
2F	12010262	TORNILLO M4X15MM DIN965	M4X15MM DIN965 SCREW	4	4	4			
3	12126834	CUBREVENTILADOR ACG-102	FAN COVER ACG-102	1	1	1			
3	12126833	CUBREVENTILADOR ACG-102	FAN COVER ACG-102	1					
4	12126820	KIT PORTABANDEJAS DCHA. 102	RIGHT HOLDER TRAYS ADV 102	1	1	1			
4	12126821	KIT PORTABANDEJAS IZDA 102	LEFT HOLDER TRAYS ADV 102	1	1	1			
4A	12039490	TOPE BANDEJAS 101-102	TRAY TOP101-102	2	2	2			
5	12126827	SOPORTE CORE HOLDER	CORE HOLDER SUPPORT	1	1	1			
6	12023935	PUNTA DIFUSORA LAVADO	WASHING DISPENSER POINT	-	-	1			
6	12129275	PUNTA DIFUSORA ACLARADO	RINSING DISPENSER POINT	1	1	-			
7	12002681	FILTRO DESAGÜE	DRAINAGE FILTER	1	1	1			
7	12095042	FILTRO DESAGÜE Ø53	DRAINAGE FILTER Ø53	1	1	1			
8	12040977	DUCHA	SHOWER	-	1	1			
8A	12041736	EMBELLECEDOR DUCHA ADV.	SHOWER TRIM ADVANCE	-	1	1			
9	12039620	CHAPA AMARRE DUCHA	TIE PLATE SHOWER	-	1	1			
10	12039437	RECOGEAGUAS HORNO 102	SPRING WATER COLLE. 102	1	1	1			
11	12009104	PATA REGULABLE	REGULABLE LEG	4	4	4			
12	12039498	TUBO RECOGEAGUAS 101	COLLECT WATER PIPE 101	1	1	1			
	12009628	ABRAZADERA ELAST. 26.7-28.1	SPRING CLAMP 26.7-28.1	2	2	2			
13	12025161	E.V. 230VAC 50/60Hz 1V	SOLENOID VALVE 230VAC 1 W	1	-	1			
14	12023794	E.V. 230VAC 50/60Hz 2V	SOLENOID VALVE 230VAC 2 W	1	1	-			
14	12115418	E.V. 230VAC 50/60Hz 3V	SOLENOID VALVE 230VAC 3 W	-	1	1			
15	12095019	TERMOSTATO_261_NA_51°C	THERMOSTAT_261_NA_51°C	1	1	-			

Зип Общепит

vsezip.ru

+7(812)987-08-81



ITEM MARCADO EN COLOR = REPUESTO RECOMENDADO
COLOURED ITEM = RECOMMENDED SPARE PART

Nº plano / N° plane C-3062	Firma <i>(Signature)</i>
Fecha / Date 2012-09	Denominación / Denomination: HORNOS AG; ACG; ARG-102
Lamina / Sheet 4	Fagor Industrial S.Coop. FAGOR Onste

Зип ОЩЕПИТ

vsezip.ru

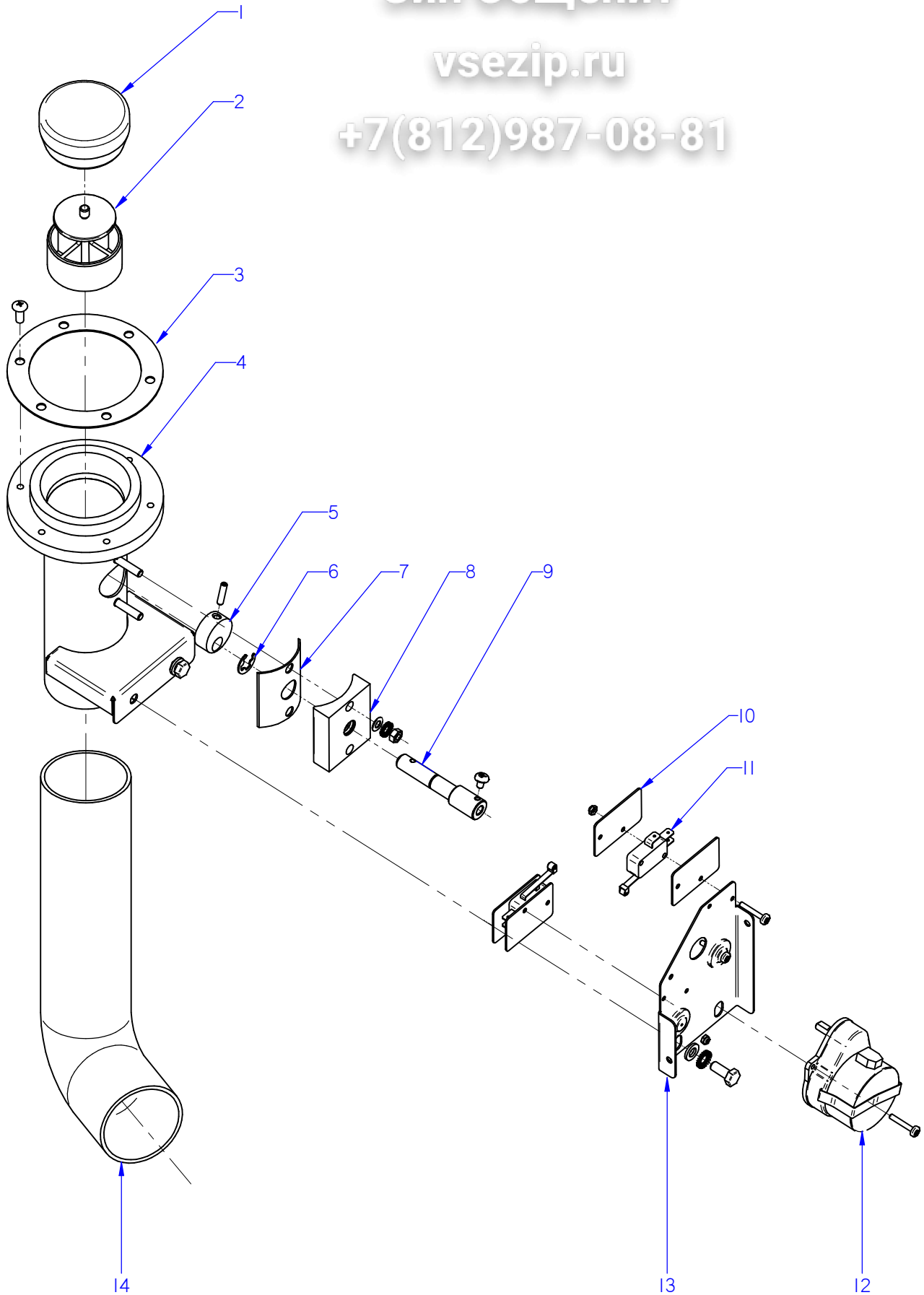
+7(812)987-08-01

MOD.		HORNOS / OVEN		ZONA / ZONE			TURBINA / TURBINE				
ITEM	CODIGO REFERENCE	DENOMINACION	DENOMINATION	ACG-102	AG-102	APG-102					
1	12024325	MOTOR 230VAC3N650KW1450RPM	MOTOR 230V AC 3N650KW 1450	1	1	1					
S/N°	12023560	DISTANCIADOR MOTOR 10/21	SPACER MOTOR 10/21	4	4	4					
2	12024742	CASQUILLO RETEN 10/21	SEAL BUSHING 10/21	1	1	1					
3	12024221	JUNTA CASQUILLO RETEN	SEAL BUSHING GASKET	1	1	1					
4	12024510	RETEN 17X28X7V	RETAINER 28x17x7	2	2	2					
5	12010122	ANILLO DE SEGURIDAD Ø 28X1.2	SAFETY RING 28x1,2	1	1	1					
6	12024306	TURBINA RECTA Ø350X127 HANN.	TURBINE RECTA Ø350X127 HAN	1	1	1					

Зип Общепит

vsezip.ru

+7(812)987-08-81



ITEM MARCADO EN COLOR = REPUESTO RECOMENDADO
COLOURED ITEM = RECOMMENDED SPARE PART

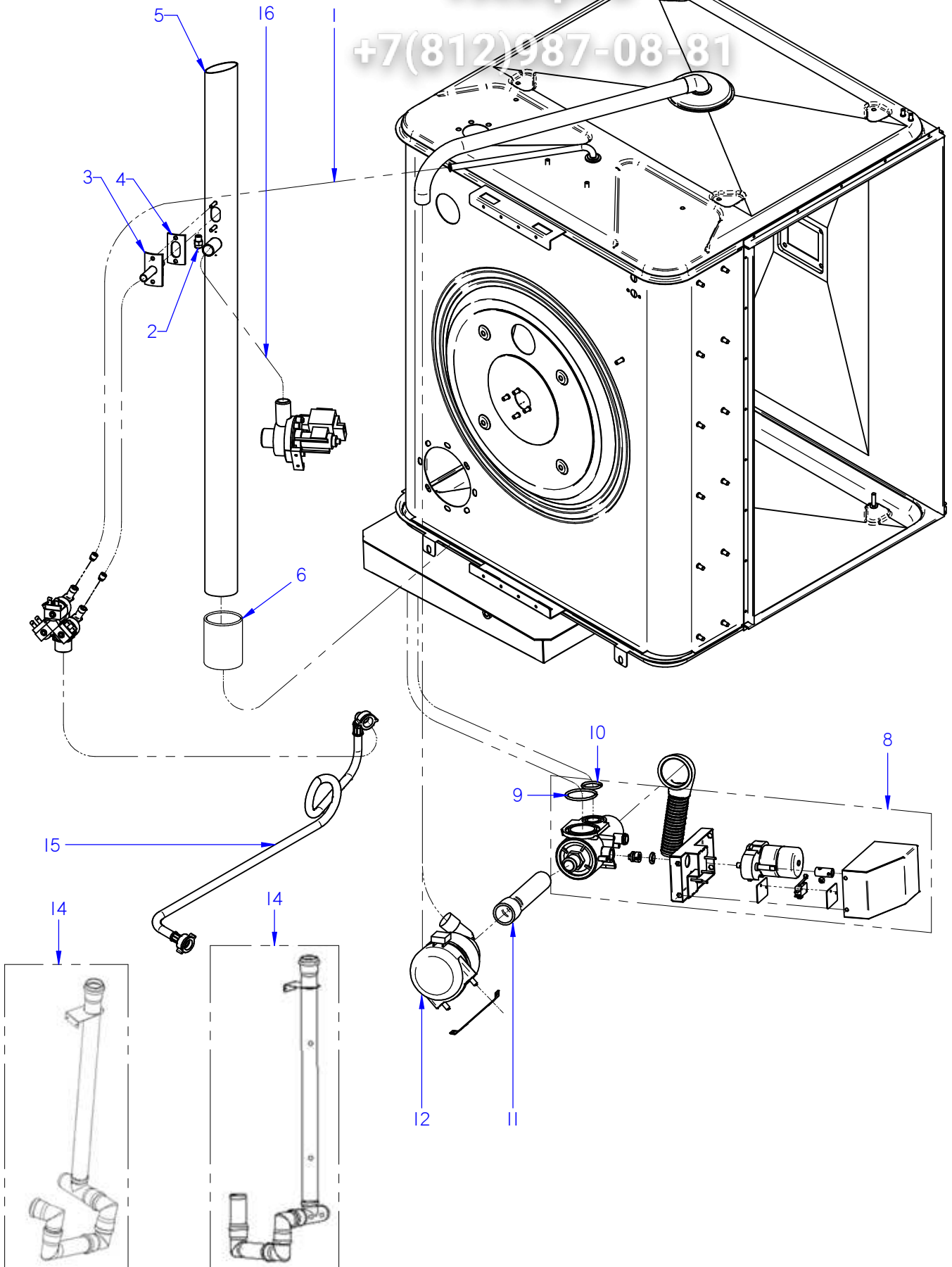
Nº plano / N° plane C-3063	Firma <i>(Signature)</i>	Fecha / Date 2012-09	Denominación / Denomination: CHIMENEA / FLUEPIPE HORNOS AG; ACG; APG-102	Lamina / Sheet 5	Fagor Industrial S.Coop. FAGOR Onate
--------------------------------------	-----------------------------	--------------------------------	---------------------------------------------------------------------------------------	----------------------------	------------------------------------------------

MOD.		HORNOS / OVEN	ZONA / ZONE	CHIMENEA / FLUEPIPE						
ITEM	CODIGO REFERENCE	DENOMINACION	DENOMINATION	ACG-102	AG-102	APG-102				
1	12024520	RETENCION DE VAPORES	CLOSE CHIMNEY	1	1	1				
2	12024500	GUIA RETENCION VAPORES	STEAM RETAINER GUIDE	1	1	1				
3	12023576	JUNTA BASE CHIMENEA	FLUEPIPE BASE SEAL	1	1	1				
S/Nº	12095516	JUNTA TORICA 5x1	O-RING 5x1	6	6	6				
4	12022868	CONJUNTO CHIMENEA	COMPLETE CHIMNEY	1	1	1				
4	12104226	CONJUNTO CHIMENEA	COMPLETE CHIMNEY	1	1	1				
5	12024328	LEVA EJE CHIMENEA	FLUEPIPE SHAFT CAM	1	1	1				
6	12010014	ARANDELA DE SEGURIDAD Ø8	SAFETY WASHER Ø8	1	1	1				
7	12023497	JUNTA EJE CHIMENEA	FLUEPIPE SHAFT SEAL	1	1	1				
8	12024436	GUIA EJE CHIMENEA	FLUEPIPE SHAFT GUIDE	1	1	1				
8	12098396	GUIA EJE CHIMENEA	FLUEPIPE SHAFT GUIDE	1	1	1				
S/Nº	12010274	JUNTA TORICA 9.19x2.62	O-RING 9.19x2.62	1	1	1				
9	12024435	EJE CHIMENEA ELECTRICA	ELECTRIC FLUEPIPE SHAFT	1	1	1				
9	12104228	EJE CHIMENEA ELECTRICA	ELECTRIC FLUEPIPE SHAFT	1	1	1				
10	12009985	PLACA SEPARADORA	SPACER PLATE	4	4	4				
11	12025193	INTERRUPTOR PUERTA	DOOR SWITCH	2	2	2				
12	12024638	MOTOR CHIMENEA	FLUEPIPE MOTOR	1	1	1				
13	12022146	ESCUA. AMARRE MOTOR CHIMEN.	FLUEPIPE MOTOR FASTENING BRAC	1	1	1				
14	12024122	TUBO FLEXIBLE Ø53X360	FLEXIBLE TUBE Ø53X360	1	1	1				
	12009962	ABRAZADERA 40*60	CLAMP 40*60	2	2	2				

Зип Общепит

vsezip.ru

+7(812)987-08-81



CONFIGURAC. ADVANCE PLUS
ADVANCE PLUS CONFIGURAT.

CONFIGURAC. ADVANCE / CONCEPT
ADVANCE / CONCEPT CONFIGURAT.

ITEM MARCADO EN COLOR = REPUESTO RECOMENDADO
COLOURED ITEM = RECOMMENDED SPARE PART

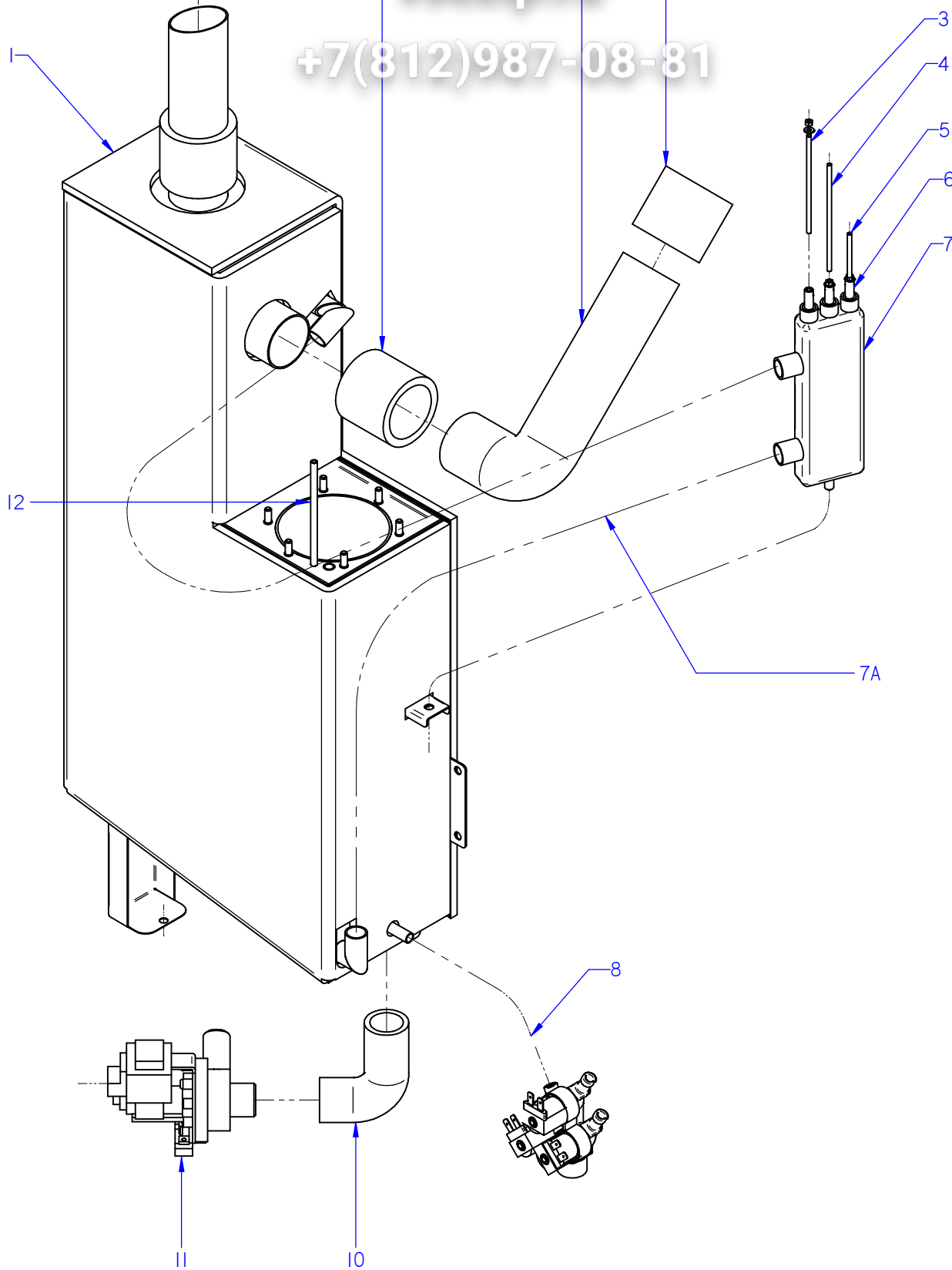
Nº plano / N° plane	Firma	Fecha / Date	Denominación / Denomination:	CONDUCCIONES DE AGUA / WATER PIPES	Lamina / Sheet	Fagor Industrial S.Coop. FAGOR
C-3064	name Benfor	03-2016	HORNOS AG; ACG; APG-102		6	Oñate

MOD.		HORNOS / OVEN		ZONA / ZONE		CONDUCCIONES DE AGUA / WATER PIPE					
ITEM	CODIGO REFERENCE	DENOMINACION	DENOMINATION	ACG-102	AG-102	APG-102					
1	11000083	T. GOMA NEGRA Ø17*10	BLACK RUBBER PIPE Ø17*10	3	3	3					
	12010036	ABRAZADERA 12*20	CLAMP 12-20	6	10	8					
2	12024000	TOBERA 1/8	NOZZLE 1/8	-	1	1					
2	12049131	BOQUILLA 1/8M-B-1-3	INJECTOR 1/8M-B-1-3	-	1	1					
3	12046239	AMARRE CONDUCC. VAHOS GAS	MOORING DRIVE GAS STEAM	1	-	-					
3	12039468	CONDUCC. VAHOS COMPLETO	COMPLETE VAPOUR DUCT	-	1	1					
4	12023605	JUNTA TUBO INYECTOR	INJECTOR PIPE SEAL	1	1	1					
5	12043845	CHIMENEA COMPL. ACE 101-102	COMPL. FLUEPIPE ACE 101-102	1	-	-					
5	12039505	CHIMENEA COMPLETA VPE 101	COMPL. FLUEPIPE VPE 101	-	1	-					
5	12039631	CHIMENEA COMPLETA 061	COMPLET FLUEPIPE 061	-	-	1					
6	12047901	EMPALME SILICONA Ø53	SILICONE JOINT Ø53	1	1	1					
	12007943	ABRAZADERA ELASTICA 62*66	ELAST. CLAMP 62*66	2	2	2					
8	12093684	KIT VALVULA DESAGUE ADVAN.	VALVE DRAIN ADVANCE KIT	-	-	1					
9	12010081	JUNTA TORICA Ø52X3,5	O-RING Ø52X3.5	-	-	1					
10	12010131	JUNTA TORICA Ø33x3,5	O-RING Ø33x3.5	-	-	1					
11	12024407	GOMA VALVULA BOMBA GAS	PUMP VALVE RUBBER GAZ	-	-	1					
	12010023	ABRAZADERA 20-32	CLAMP 20-32	-	-	1					
	12009997	ABRAZADERA 25-40	CLAMP 25-40	-	-	1					
12	12024708	MOTOBOMBA ACLARADO	MOTOR-PUMP	-	-	1					
	12024463	CONDENSADOR ELEC. 250V VDE	CONDENSER ELEC. 250V VDE	-	-	1					
13	11000005	TUBO SILIC. ALTA Tª D31*23	HIGH TEMP. SILIC. HOSE D31*23	-	-	1					
14	12047404	MOD CONJUNTO DESAGUE ADV	ADV DRAIN SET MODEL	1	1	1					
15	12025198	MANGUERA ENTRADA AGUA	WATER INLET HOSE	2	2	2					
16	11000157	TUBO SILIC. ALTA Tª D26*18	HIGH TEMP. SILIC. HOSE D26*18	-	2	2					
	12009628	ABRAZAD. ELASTICA 26,7*28,1	ELAST. CLAMP 26,7*28,1	-	1	1					

Зип Общелит

vsezip.ru

+7(812)987-08-81



ITEM MARCADO EN COLOR = REPUESTO RECOMENDADO
COLOURED ITEM = RECOMMENDED SPARE PART

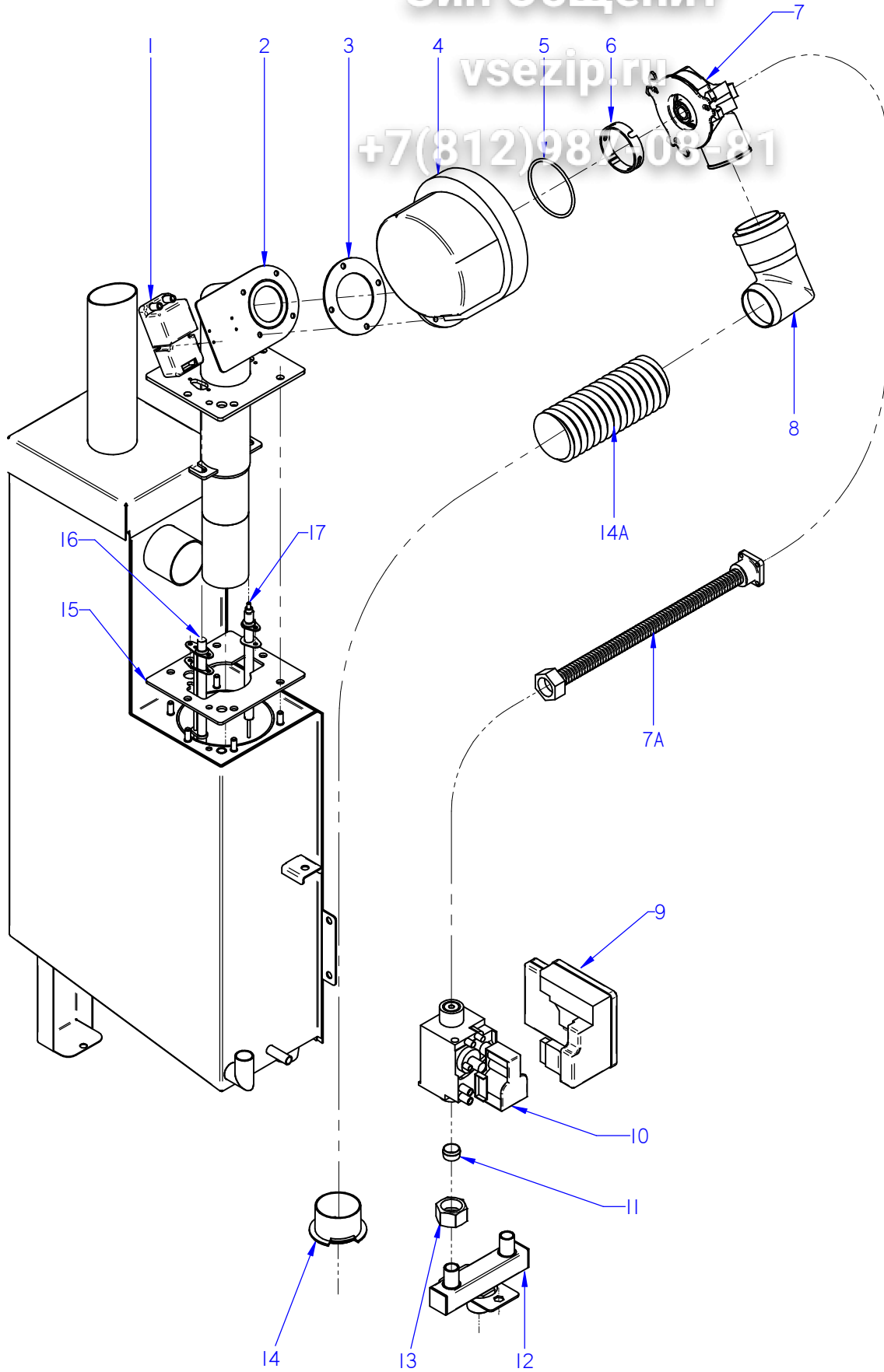
Nº plano / N° plane	Firma	Fecha / Date	Denominación / Denomination:	CIRCUITO DE VAPOR / STEAM CIRCUIT	Lamina / Sheet	Fagor Industrial S.Coop. FAGOR
C-3065	<i>(Signature)</i>	04-2016	HORNOS AG; ACG; APG-102		7	Oñate

MOD.	HORNOS / OVEN	ZONA / ZONE	CIRCUITO DE VAPOR / STEAM CIRCUIT						
ITEM	CODIGO REFERENCE	DENOMINACION	DENOMINATION	AG-102	APG-102				
1	12046930	KIT GENERADOR VAPOR 102	STEAM GENERATOR 601 KIT	1	1				
2	12041855	TUBO FLEXIBLE Ø53x360 VARIL INOX	FLEXIBLE TUBE ROD Ø53x360 IN	1	1				
2	12048110	EMPALME GENERADOR AG 102	GENERATOR JOINT AG 102	1	1				
	12009962	ABRAZADERA 40-60	CLAMP 40-60	2	2				
2A	12047901	EMPALME SILICONA Ø53	SILICONE JOINT Ø53	2	2				
3	12023573	ELECTRODO ALTO	HIGH LEVEL ELECTRODE	1	1				
4	12023574	ELECTRODO BAJO	LOW LEVEL ELECTRODE	1	1				
5	12023575	ELECTRODO DE MASA	EARTH ELECTRODE	1	1				
6	12024460	GUIA AISLANTE	INSULATION GUIDE	3	3				
7	12024419	BOTE DE NIVELES	LEVELS VESSEL	1	1				
7	12113061	BOTE DE NIVELES INOX	LEVELS VESSEL S-STEEL	1	1				
7A	11000157	TUBO SILICONA Tº Ø 26*18	HIGH SILICON PIPE Tº Ø 26*18	2	2				
	12009628	ABRAZADERA ELASTICA 26,7*28,1	ELAST. CLAMP 26,7*28,1	4	4				
8	11000083	T. GOMA NEGRA Ø17*10	BLACK RUBBER PIPE Ø17*10	1	1				
	12010036	ABRAZADERA 12*20	CLAMP 12-20	2	2				
10	12039649	TUBO DESAGÜE GENERADOR	DRAIN TUBE GENERATOR	1	1				
	12009997	ABRAZADERA 25-40	CLAMP 25-40	2	2				
11	12039546	MOTOBOMBA 230V AC 1N 50/60Hz	PUMP 230V AC 50/60Hz 30W 1N	1	1				
12	12023901	CONJUN. TERMOPAR VAPOR	STEAM THERMOCOUPLE UNIT	1	1				

Зип Общепит

vsezip.ru

+7(812)987008-81



ITEM MARCADO EN COLOR = REPUESTO RECOMENDADO
COLOURED ITEM = RECOMMENDED SPARE PART

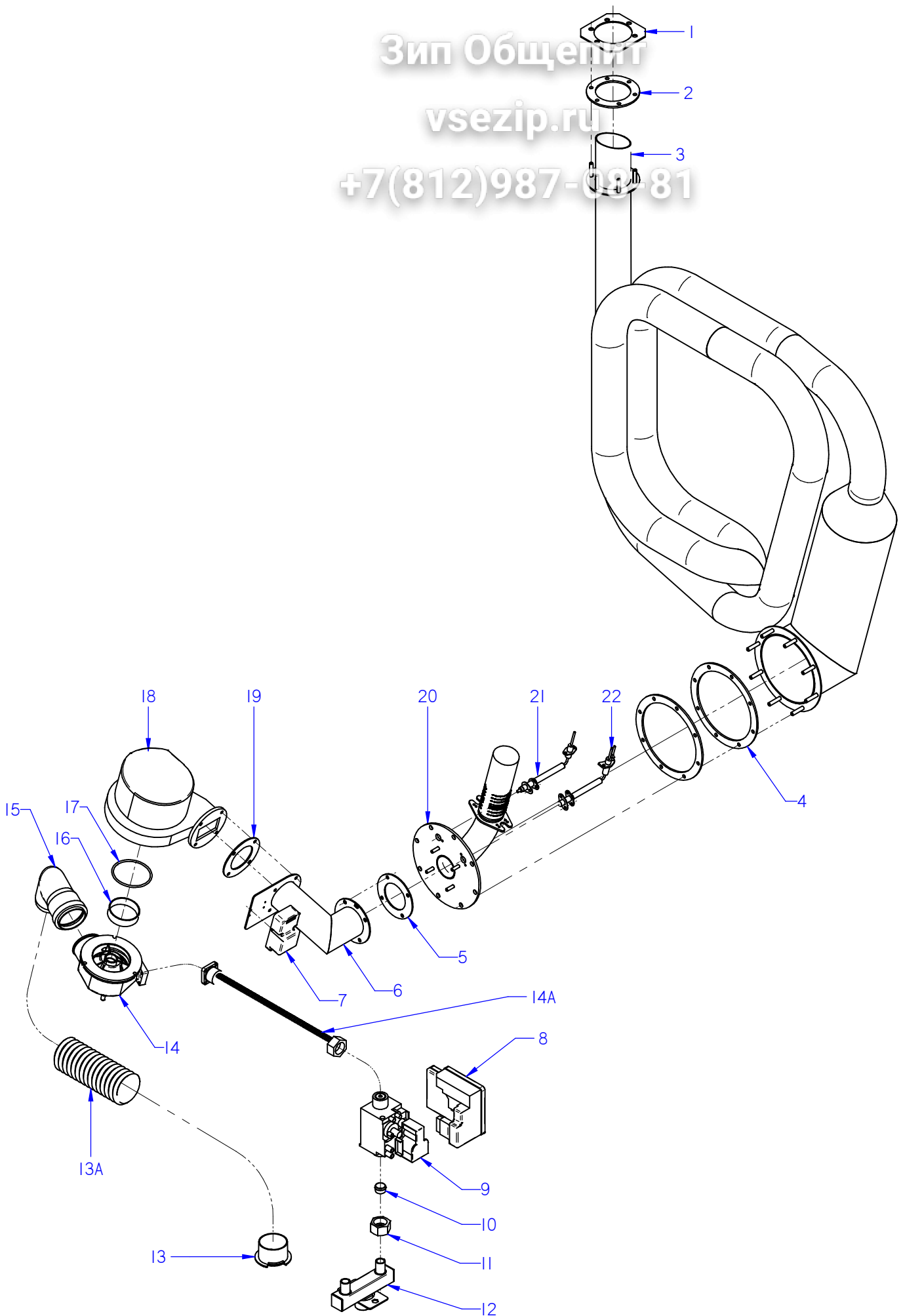
Nº plano / N° plane	Firma / Signature	Fecha / Date	Denominación / Denomination: FUNC. GAS GENERADOR / FUNCT. GAS GENERATOR	Lamina / Sheet	Fagor Industrial S.Coop. FAGOR
C-3066	Iban R.	2014-09	HORNOS AG; APG-102	8	Oñate

MOD.		HORNOS / OVEN		ZONA / ZONE		FUNCIONAL GAS GENERADOR FUNCTIONAL GAS GENERATOR					
ITEM	CODIGO REFERENCE	DENOMINACION	DENOMINATION	AG-102	APG-102						
1	12039544	CHISPA BRAHMA	BRAHMA SPARK	1	1						
2	12044278	QUEMADOR GENERADOR 102G	BURNER GENERATOR 102G	1	1						
3	12045252	JUNTA ACOP.SOPLANTE GRAFITO	JOINT COU. GRAPHITE BLOWER	1	1						
4	12044607	SOPLANTE NRG 118 55kw	BLOWER NRG 118 55kw	1	1						
5	12009940	JUNTA TORICA114x3	O-RING 114x3	1	1						
6	12044292	ARO VENTURI VERDE	GREEN RING VENTURI	1	1						
7	12039540	MIXER COMPLETO	MIXER COMPLETE	1	1						
S/Nº	12041612	JUNTA TORICA 63X3	O-RING 63X3	1	1						
7A	12039403	TUBO GAS FLEXIBLE 900	FLEXIBLE GAS PIPE 900	1	1						
8	12044447	TUBO DESAGUE ADV 01	DRAIN PIPE ADV 01	1	1						
9	12039440	CAJA CONTROL DBC 579	DBC CONTROL BOX 579	1	1						
10	12046364	VALVULA REGUL 50HZ ADV	ADV 50HZ VALVE CONTROLL.	1	1						
10	12046365	VALVULA REGUL 60HZ ADV	ADV 60HZ VALVE CONTROLL.	1	1						
11	12045672	TOBERA Ø 5,4 BP	NOZZLE Ø 5,4 BP	1	1						
11		GN (SIN INYECTOR)	(WITHOUT INJECTOR)GN	1	1						
12	12041050	ENTRADA GAS ADV 061/01 SUB	ADV GAS INLET 061/01 SUB	1	1						
13	12008085	TUERCA 3/4	NUT 3/4	1	1						
13	12048850	TUERCA G 3/4	NUT G 3/4	1	1						
S/Nº	12008775	BICONO Ø16	BICONE Ø16	1	1						
14	12039679	AMARRE TUBOS AIRE	MOORING PIPES AIR	1	1						
14A	11000232	TUBO AIRE VULCANO PUZ 50	AIR TUBE VULCANO PUZ 50	1	1						
S/Nº	12097418	ARANDELA ENTRADA AIRE Ø27	WASHER AIR INTAKE Ø27	1	1						
15	12044286	JUNTA QUEMADOR GENERA 102	GENERATOR GASKET BURNER	1	1						
16	12039430	BUJIA GENERADOR 202	PLUG GENERATOR 202	1	1						
S/Nº	12039587	JUNTA BUJIA GENERADOR 06/101	PLUG BOARD GENERATOR 06/101	1	1						
17	12039431	DETECTOR GENERADOR 202	GENERATOR SENSOR 202	1	1						
S/Nº	12039450	JUNTA BUJIA CONVECCION 102	SPARK CONVECTI. BOARD 102	1	1						

Зип Общепит

vsezip.ru

+7(812)987-09-81



ITEM MARCADO EN COLOR = REPUESTO RECOMENDADO
COLOURED ITEM = RECOMMENDED SPARE PART

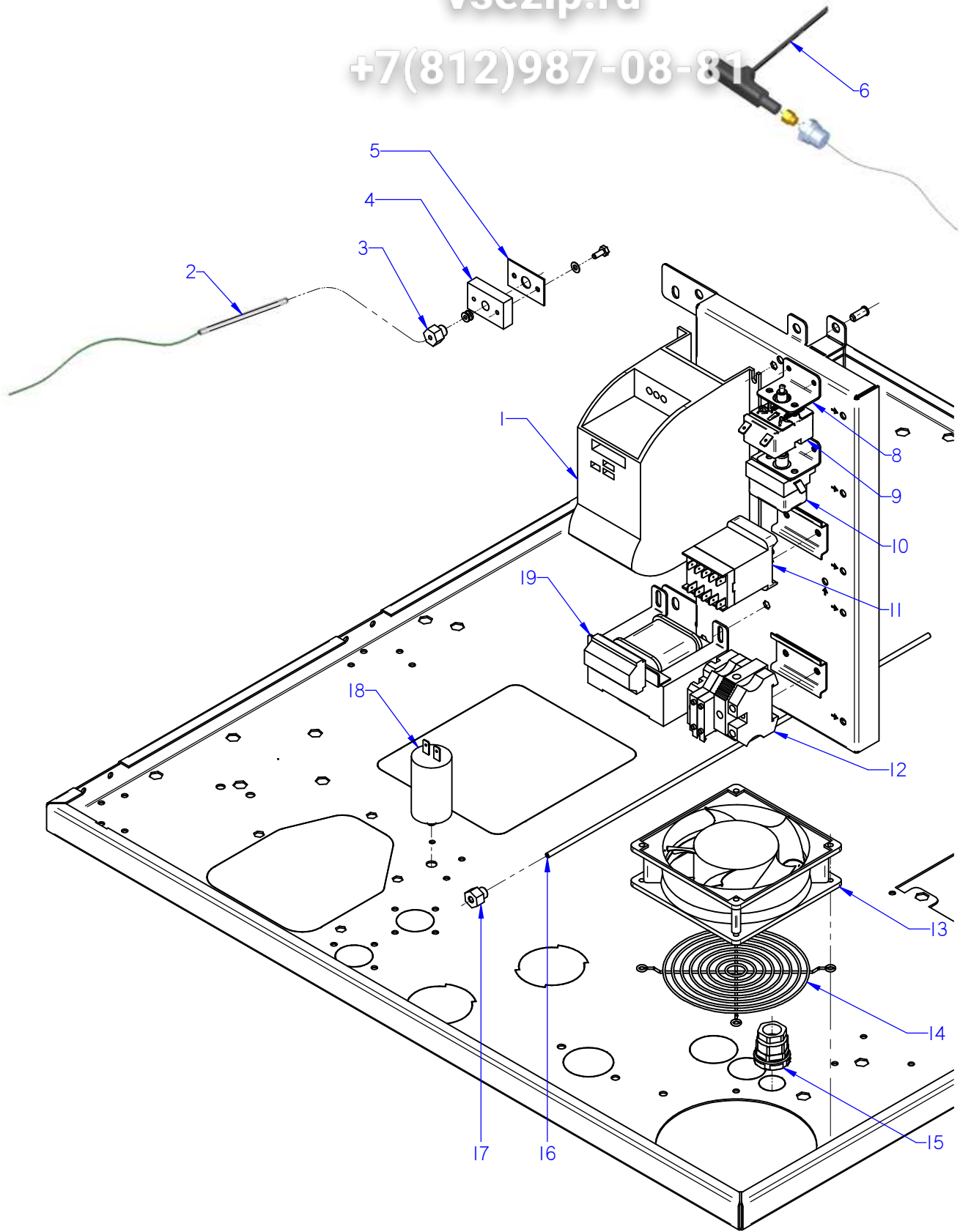
Nº plano / N° plane	Firma / Signature	Fecha / Date	Denominación / Denomination: FUNC. GAS CONVECCION / FUNCT. GAS CONVECTION	Lamina / Sheet	Fagor Industrial S.Coop. FAGOR
C-3067	Iban R.	2014-09	HORNOS AG; ACG; APG-102	9	Oñate

MOD.		HORNOS / OVEN		ZONA / ZONE		FUNCIONAL GAS CONVECCION FUNCTIONAL GAS CONVECTION					
ITEM	CODIGO REFERENCE	DENOMINACION	DENOMINATION	ACG-102	AG-102	APG-102					
1	12044304	102 CHAPA CIERRE INTERCAMB.	EXCHANG. CLOSING PLATE 102	1	1	1					
2	12044302	JUNTA SALIDA INTERC. 102	OUTPUT BOARD EXCHANG. 102	1	1	1					
3	12039441	INTERCAMBIAD. CALOR 102	HEAT EXCHANGER 102	1	1	1					
4	12039398	JUNTA INF INTERCAMBIADOR 202	202 EXCHANGER GASKET BOTTOM	2	2	2					
5	12045252	JUNTA ACOP.SOPLANTE GRAFITO	JOINT COU. GRAPHITE BLOWER	1	1	1					
6	12047009	CAMARA SILENCIADOR 102	CHAMBER MUFFLER 102	1	1	1					
7	12039544	CHISPA BRAHMA	BRAHMA SPARK	1	1	1					
8	12039440	CAJA CONTROL DBC 579	DBC CONTROL BOX 579	1	1	1					
9	12046364	VALVULA REGUL 50HZ ADV	ADV 50HZ VALVE CONTROLL.	1	1	1					
9	12046365	VALVULA REGUL 60HZ ADV	ADV 60HZ VALVE CONTROLL.	1	1	1					
10	12045672	TOBERA Ø 5,4 BP	NOZZLE Ø 5,4 BP	1	-	-					
10	12045675	TOBERA Ø 5,2 BP	NOZZLE Ø 5,2 BP	-	1	1					
10	12045677	TOBERA Ø 7,5 GN	NOZZLE Ø 7,5 GN	1	1	1					
11	12048850	TUERCA G 3/4	NUT G 3/4	-	1	1					
S/Nº	12008775	BICONO Ø16	BICONE Ø16	1	1	1					
12	12041050	ENTRADA COMP ADV 061/01 SUB	ADV GAS INLET 061/01 SUB	-	1	1					
13	12039679	AMARRE TUBOS AIRE	MOORING PIPES AIR	1	1	1					
13A	11000232	TUBO AIRE VULCANO PUZ 50	AIR TUBE VULCANO PUZ 50	1	1	1					
14	12039278	MIXER COMPLETO 102- 202	MIXER COMPLETE 102- 202	1	1	1					
S/Nº	12041612	JUNTA TORICA 63X3	O-RING 63X3	1	1	1					
14A	12039568	TUBO GAS FLEXIBLE 500	FLEXIBLE GAS PIPE 500	1	1	1					
15	12044447	TUBO DESAGUE ADV 01	DRAIN PIPE ADV 01	1	1	1					
16	12039435	ARANDELA MIXER CONVECCION	WASHER CONVECTION MIXER	1	1	1					
17	12009940	JUNTA TORICA114x3	O-RING 114x3	1	1	1					
18	12044607	SOPLANTE NRG 118 55kw	BLOWER NRG 118 55kw	1	1	1					
19	12045252	JUNTA ACOP.SOPLANTE GRAFITO	JOINT COU. GRAPHITE BLOWER	1	1	1					
20	12039442	QUEMADOR CONVECCION 102	BURNER CONVECTION 102	1	1	1					
21	12039448	DETECTOR CONVECCION 1021	CONVECTION DETECTOR 1021	1	1	1					
S/Nº	12039450	JUNTA BUJIA CONVECCION 102	SPARK CONVECTI. BOARD 102	1	1	1					
22	12039447	BUJIA CONVECCION 1021	SPARK CONVECTION 1021	1	1	1					
S/Nº	12039449	102 JUNTA BUJIA CONVECCION	102 SPARK CONVECTI. BOARD	1	1	1					

Зип Общежит

vsezip.ru

+7(812)987-08-81



ITEM MARCADO EN COLOR = REPUESTO RECOMENDADO
COLOURED ITEM = RECOMMENDED SPARE PART

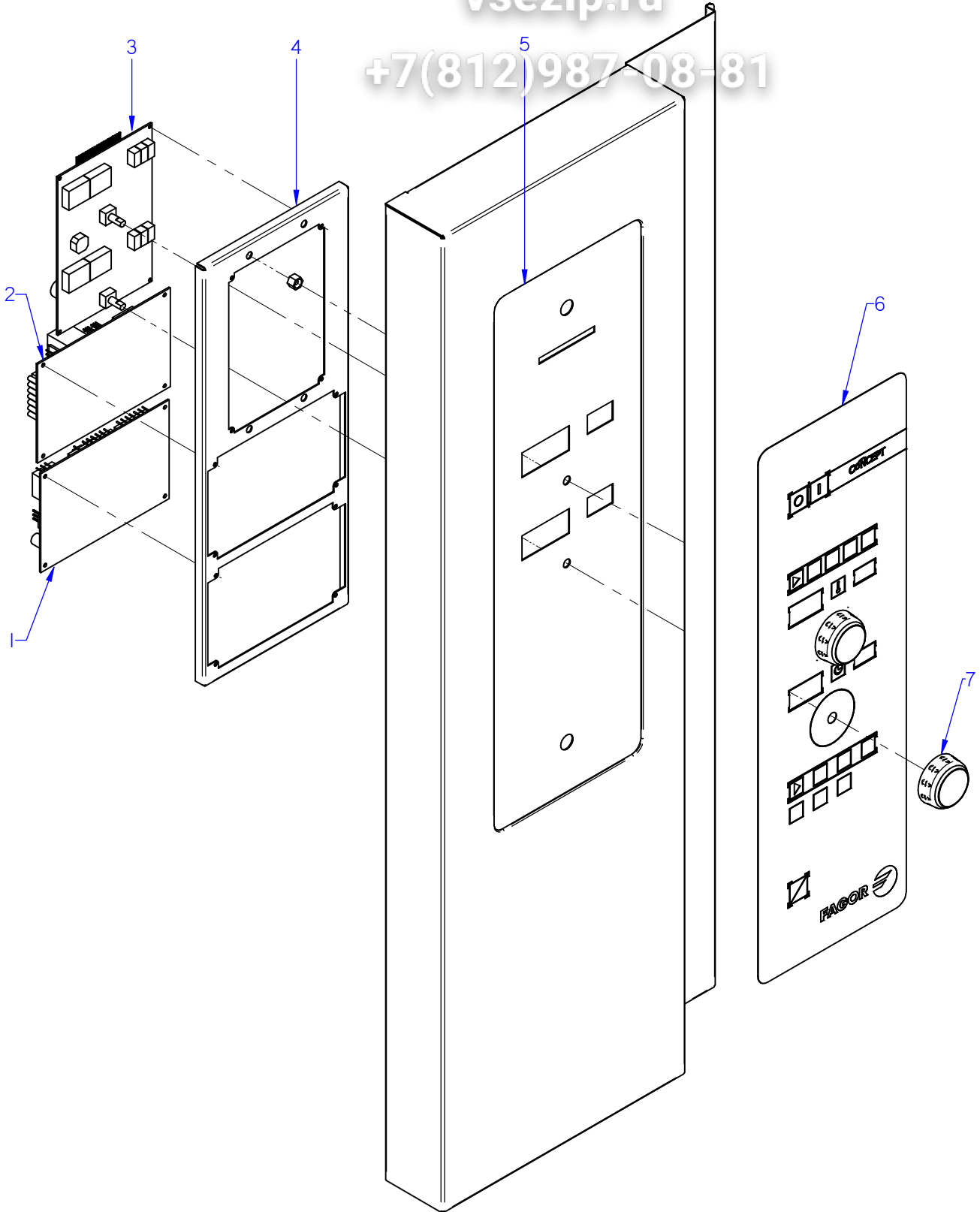
Nº plano / N° plane	Firma	Fecha / Date	Denominación / Denomination:	CUADRO ELECTRICO / ELECTRIC PANEL	Lamina / Sheet	Fagor Industrial S.Coop. FAGOR
C-3068	<i>(Signature)</i>	2012-09	HORNOS AG; ACG; APG-102	10	Oñate	

MOD.		HORNOS / OVEN		ZONA / ZONE		CUADRO ELECTRICO / ELECTRIC PANEL					
ITEM	CODIGO REFERENCE	DENOMINACION	DENOMINATION	ACG-102	AG-102	APG-102					
1	12048798	REP VARIADOR REGULADO ADV	REGULATED VARIATOR ADV	1	1	1					
2	12024642	CONJUN. TERMOPAR CAMARA (Tn)	CHAMBER THERMOCOUPLE (Tn)	1	1	1					
3	12023581	RACORD CIERRE SONDA	PROBE CLOSING ADAPTOR	2	2	2					
S/Nº	12024247	BICONO CIERRE SONDA	PROBE CLOSING BICONE	1	1	1					
4	12023737	BASE CIERRE SONDA	FIXING CORE PROBE	1	1	1					
5	12023504	JUNTA PASAMUROS SIMPLE	SIMPLE	1	1	1					
6	12039548	SONDA PINCHO ADVANCE	ADVANCE PROBE PINCHO	1	1	1					
	12010110	ARANDELA Ø 8.4X20X1.5	FLAT WASHER Ø 8.4X20X1.5	1	1	1					
	12040566	CONTRATUERCA H 1/4"	COUNTERNUT H 1/4"	1	1	1					
8	12022001	SOPORTE TERMOS VAPOR	THERMOSTAT SUPPORT	2	2	2					
	12023499	TUERCA M.10x1 EGO 00.00600.075	NUT M.10x1 EGO 00.00600.075	2	2	2					
9	12024591	TERMOSTATO LIMITADOR 10/21	LIMITER THERMOSTAT10/21	1	1	1					
10	12024884	TERMOSTATO LIMITADOR CORTE	THERMOSTAT LIMITER	-	1	1					
11	12024011	CONTACTOR 230 V. 50-60 HZ	230 V. 50-60 HZ CONTACTOR	1	1	1					
12	12025158	BORNAS PORTA FUSIBLES	FUSE HOLDER TERMINAL	2	2	2					
S/Nº	12024152	FUSIBLE 10A Ø5MM 20X5	10A Ø5MM 20X5 FUSE	2	2	2					
	12024743	BORNA TIERRA 10 WPE-10103.O	EARTH TERMINAL10 WPE-10103.O	1	1	1					
	12024199	TOPE FINAL BORNA 10mm2 UL	FINAL STOP TERMINAL UL 10	1	1	1					
13	12023862	VENTILADOR 230V.50-60HZ	FAN 230V 50/60HZ	2	2	2					
14	12024615	PROTECCION VENTILADOR	FAN PROTECTION	1	1	1					
	12010087	REMACHE PLASTICO Ø4 L7,5-8,5	PLASTIC RIVET Ø4 L7,5-8,5	4	4	4					
15	12009851	PRENSA ESTOPAS PG 29 Ø38	STUFFING BOX PG 29 Ø38	1	1	1					
	12009973	CONTRATUERCA (GAES)	COUNTERNUT (GAES)	1	1	1					
	12009888	JUNTA GOMA (GAES)	RUBBER BOARD (GAES)	1	1	1					
16	12041634	CONJUN.TERMOPAR VAPOR (Tv)	STEAM THERMOCOUPLE UNIT (Tv)	1	1	-					
16	12039678	CONJUN.TERMOPAR VAPOR Ø4 (Tv)	STEAM THERMOCOUP. UNIT Ø4 (Tv)	-	-	1					
17	12041049	RACORD CIERRE SONDA Ø 4	PROBE CLOSING ADAPTOR Ø 4	1	1	1					
S/Nº	12024247	BICONO CIERRE SONDA	PROBE CLOSING BICONE	1	1	1					
18	12025135	CONDENSADOR 3 µF	CONDENSER 3 µF	-	-	1					
19	12024173	TRANSFORMADOR 12-0-12-0,24-0	TRANSFORMER 12-0-12-0,24-0	1	1	1					

Зип Ощепит

vsezip.ru

+7(812)987-08-81



ITEM MARCADO EN COLOR = REPUESTO RECOMENDADO
COLOURED ITEM = RECOMMENDED SPARE PART

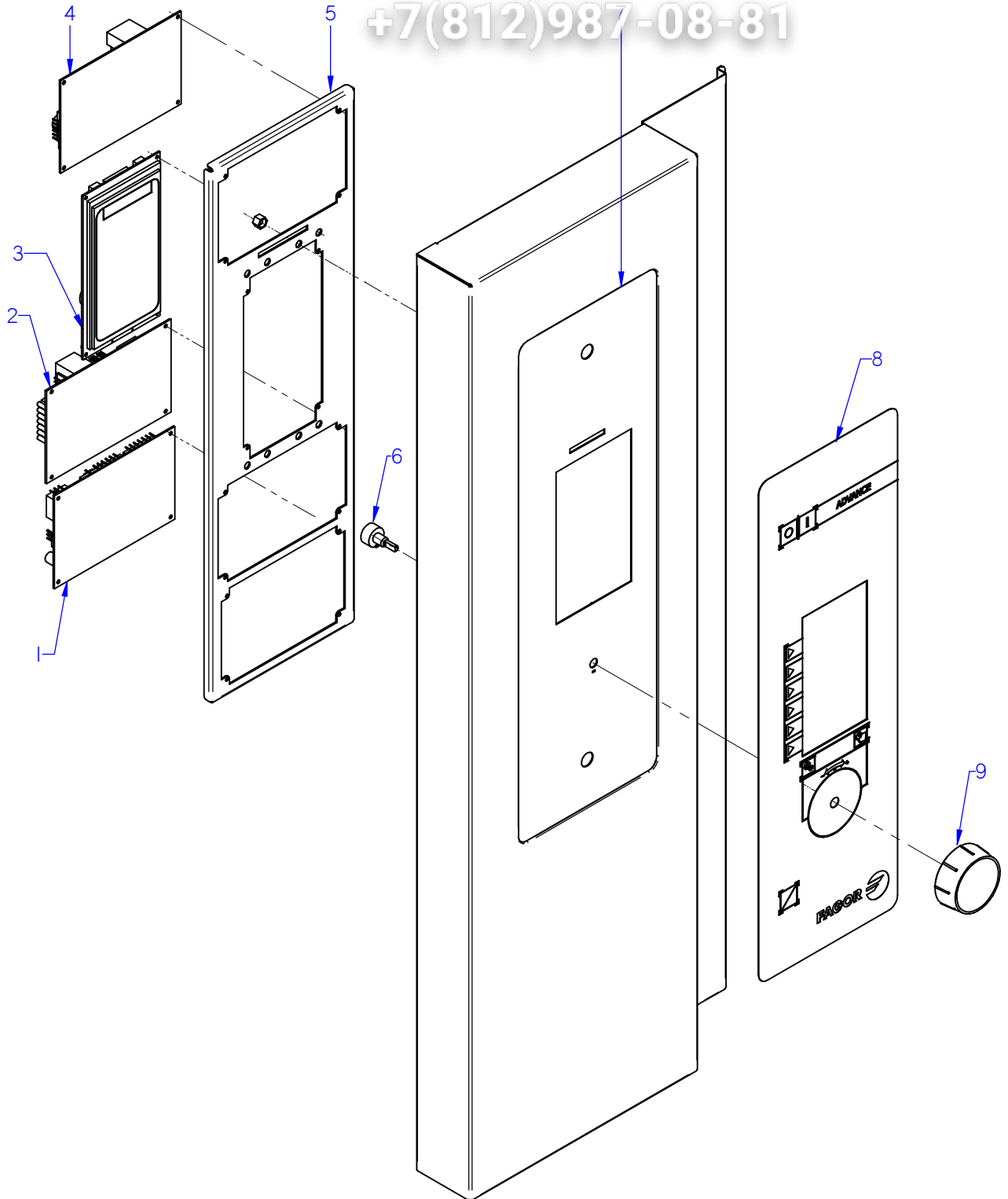
Nº plano / N° plane	Firma	Fecha / Date	Denominación / Denomination: PORTAMANDOS / CONTROL HOLDER	Lamina / Sheet	Fagor Industrial S.Coop. FAGOR
C-3069	<i>(Signature)</i>	2012-09	HORNOS ACG-102	11	Odate

MOD.	HORNOS / OVEN		ZONA / ZONE	CONJUNTO ELECTRICO PORTAMANDOS / CO HOLDER ELECTRIC UNIT				
ITEM	CODIGO REFERENCE	DENOMINACION	DENOMINATION	ACG-103				
1	12046673	CONTROL TARJETA GAS	GAS CONTROL BOARD	1				
1	12130677	TARJETA GAS GRABADA LAVADO	RECORDED GAS C. BOARD WASH	1				
2	12046659	CONTROL TARJETA CAM.12V AC .	CARD CONTROL 12V AC 50/60Hz	1				
2	12130672	TARJETA CAMARA GRAB. LAVADO	RECORD. CHAMBER CARD WASH	1				
3	12046671	VISUALIZADOR 12V AC 50/60Hz 12D	12V AC 50/60Hz 12D DISPLAY	1				
3	12130674	VISUALIZADOR 12V AC 50/60Hz 12D	12V AC 50/60Hz 12D DISPLAY	1				
4	12043668	SOPORTE PROGRA. CONCEPT ADV.	CIRCUIT SUPPORT CONCEPT AD	1				
5	12093219	FRENTE PORTAM. CONCEPT	CONTROL PANEL FRONT CONCEPT	1				
S/Nº	12041815	JUNTA PORTAMANDOS ADV PLUS	CONTROL PANEL SEAL ADV PLUS	1				
6	12044176	SERIGRAFIA ADV CONCEPT GAS	SERIGRAPHY ADV CONCEPT G	1				
5	12129318	SERIGRAFIA ACE-ACG	ACE-ACG SERIGRAPHY	1				
7	12046201	BOTON CONCEPT ADV	CONTROL BUTTON CONC. ADV	2				

Зип Ощепит

vsezip.ru

+7(812)987-08-81



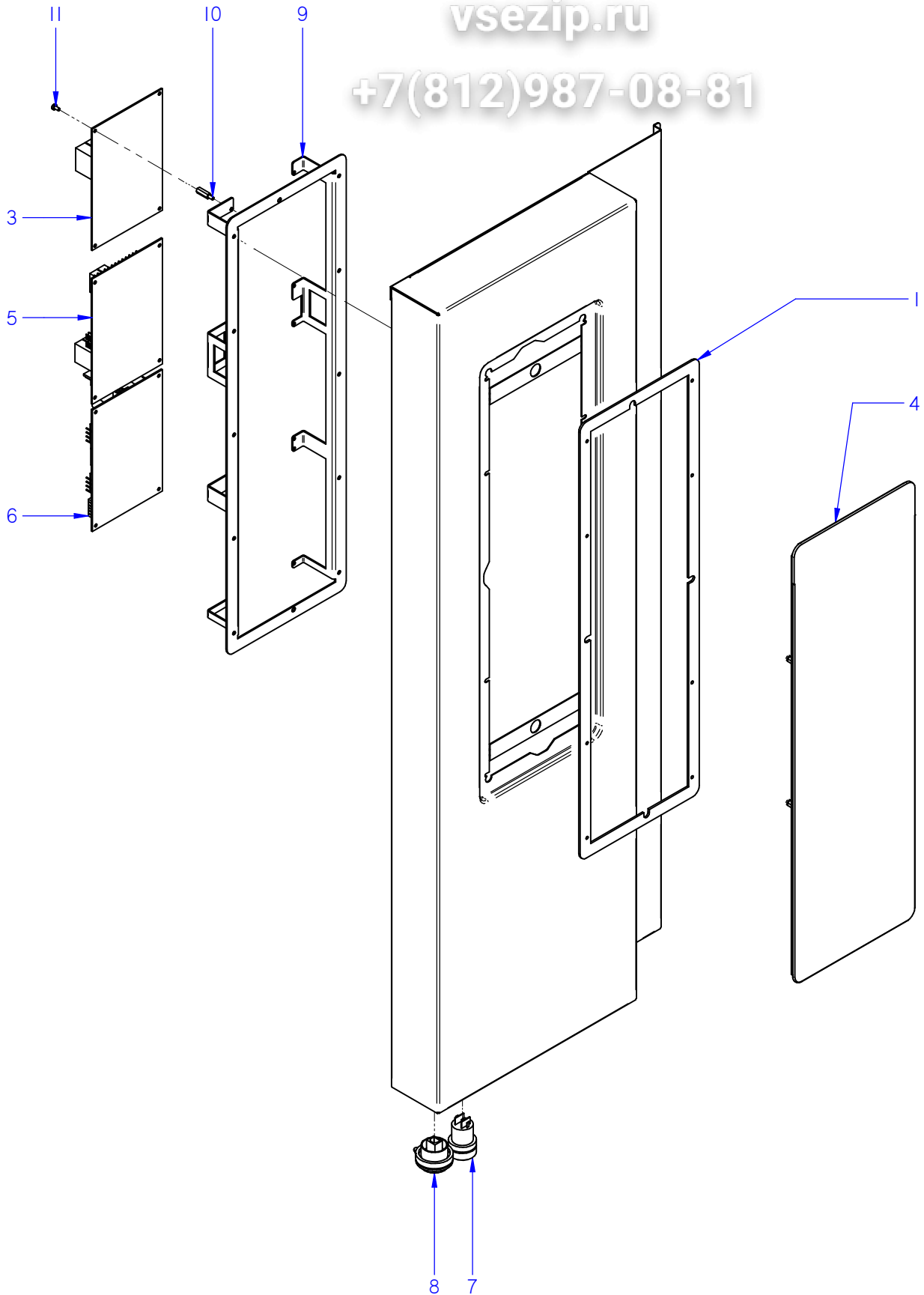
ITEM MARCADO EN COLOR = REPUESTO RECOMENDADO
COLOURED ITEM = RECOMMENDED SPARE PART

Nº plano / N° plane C-3070	Firma <i>(Signature)</i>	Fecha / Date 2012-09	Denominación / Denomination: PORTAMANDOS / CONTROL HOLDER HORNOS AG-102	Lamina / Sheet 12	Fagor Industrial S.Coop. FAGOR Oñate
-------------------------------	-----------------------------	-------------------------	-------------------------------------------------------------------------------	----------------------	------------------------------------------------

Зип Общепит

vsezip.ru

+7(812)987-08-81



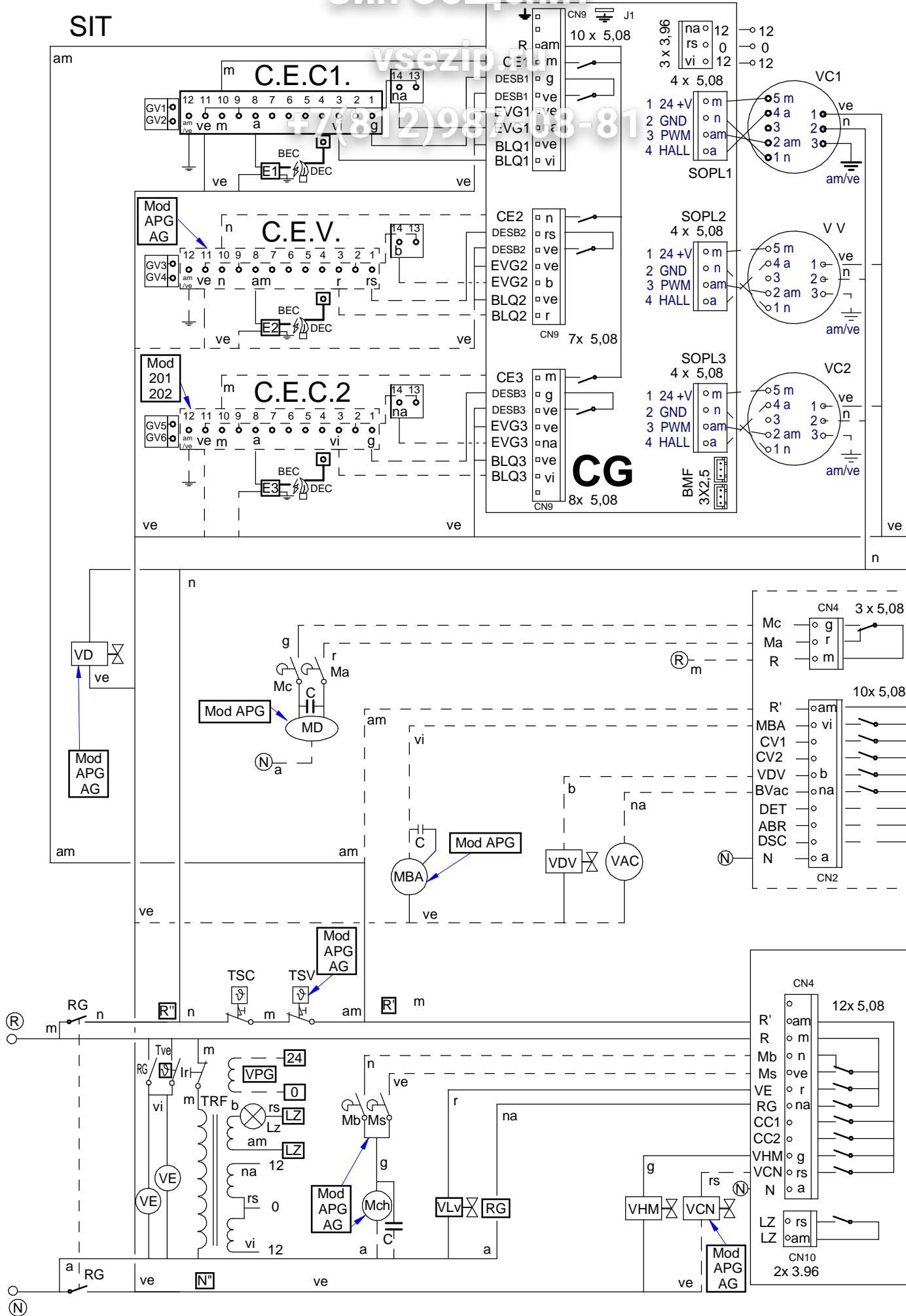
ITEM MARCADO EN COLOR = REPUESTO RECOMENDADO
COLOURED ITEM = RECOMMENDED SPARE PART

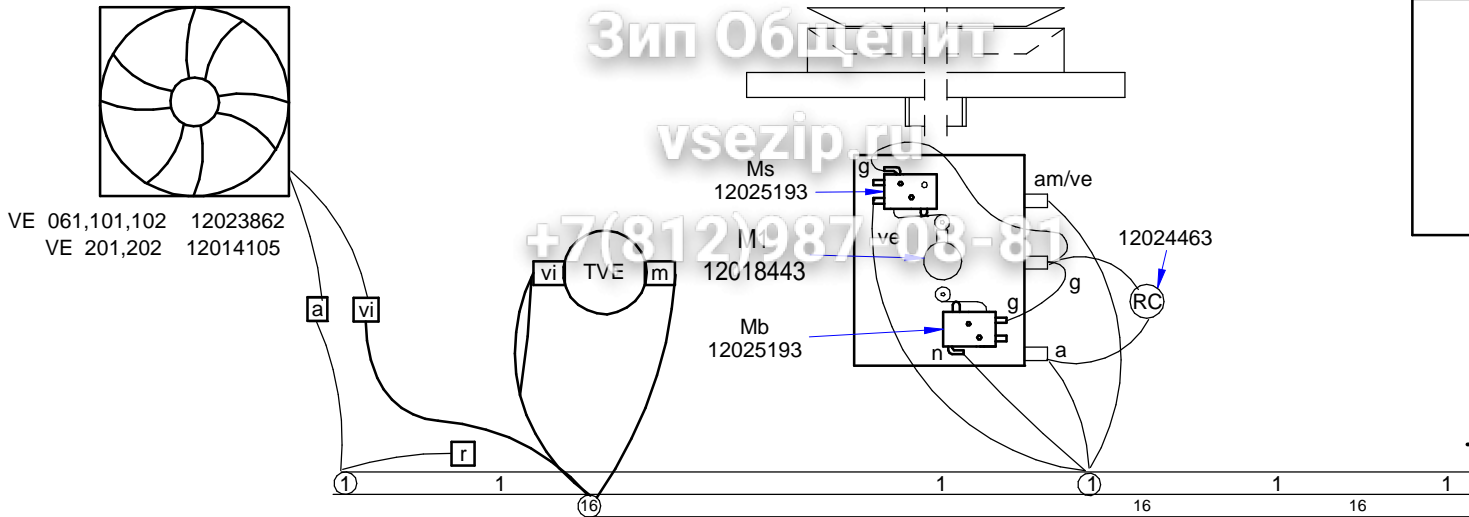
Nº plano / N° plane	Firma	Fecha / Date	Denominación / Denomination: PORTAMANDOS / CONTROL HOLDER	Lamina / Sheet	Fagor Industrial S.Coop. FAGOR
C-3071	<i>(Signature)</i>	09-2015	HORNOS APG-102	13	Oñate

MOD.		HORNOS / OVEN		ZONA / ZONE		REPUESTOS RECOMENDADOS RECOMMENDED SPARE PART					
ITEM	CODIGO REFERENCE	DENOMINACION	DENOMINATION	ACG-102	AG-102	APG-102					
16	12046020	KIT PUERTA 102	DOOR 102 KIT	1	1	1					
1	12046043	KIT CRISTAL INTER. 102	102 INNER GLASS KIT	1	1	1					
7	12047967	BASE BISAGRA INFERIOR 6 DIEN	LOWER HINGE BASE	1	1	1					
	12010199	TORNILLO AVELLANADO M6x16	COUNTERSUNK SCREW M6x16	4	4	4					
8	12047580	REP. MANILLA 1/1 ADVANCE	HANDLE 1/1 ADVANCE	1	1	1					
9	12024560	INTERRUPTOR MAGNETICO AC	MAGNETIC SWITCH AC	1	1	1					
13	12023849	ANCLAJE PUERTA	DOOR ANCHORING	1	1	1					
15	12041578	JUNTA PUERTA COMPL.102 ADV	DOOR JOINT 102 ADV	1	1	1					
13	12025161	E.V. 230VAC 50/60Hz 1V	SOLENOID VALVE 230VAC 1 W	1	-	1					
14	12023794	E.V. 230VAC 50/60Hz 2V	SOLENOID VALVE 230VAC 2 W	1	1	-					
14	12115418	E.V. 230VAC 50/60Hz 3V	SOLENOID VALVE 230VAC 3 W	-	1	1					
1	12024325	MOTOR 230VAC3N650KW1450RPM	MOTOR 230V AC 3N650KW 1450	1	1	1					
4	12024510	RETEN 17X28X7V	RETAINER 28x17x7	2	2	2					
5	12010122	ANILLO DE SEGURIDAD Ø 28X1.2	SAFETY RING 28x1,2	1	1	1					
11	12025193	INTERRUPTOR PUERTA	DOOR SWITCH	2	2	2					
12	12024638	MOTOR CHIMENEA	FLUEPIPE MOTOR	1	1	1					
14	12024122	TUBO FLEXIBLE Ø53X360	FLEXIBLE TUBE Ø53X360	1	1	1					
8	12093684	KIT VALVULA DESAGUE ADVAN.	VALVE DRAIN ADVANCE KIT	-	-	1					
12	12024708	MOTOBOMBA ACLARADO	MOTOR-PUMP	-	-	1					
1	12046930	KIT GENERADOR VAPOR 102	STEAM GENERATOR 601 KIT	-	1	1					
3	12023573	ELECTRODO ALTO	HIGH LEVEL ELECTRODE	-	1	1					
4	12023574	ELECTRODO BAJO	LOW LEVEL ELECTRODE	-	1	1					
5	12023575	ELECTRODO DE MASA	EARTH ELECTRODE	-	1	1					
11	12039546	MOTOBOMBA 230V AC 1N 50/60Hz	PUMP 230V AC 50/60Hz 30W 1N	-	1	1					
12	12023901	CONJUN. TERMOPAR VAPOR	STEAM THERMOCOUPLE UNIT	-	1	1					

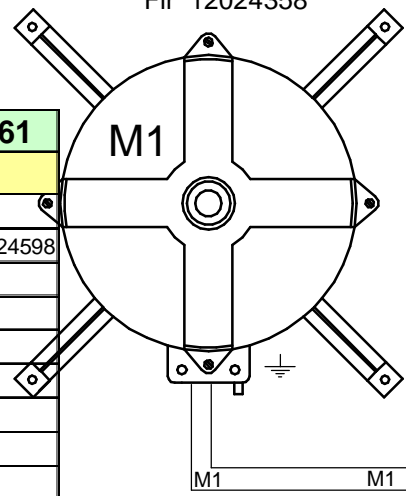
MOD.		HORNOS / OVEN		ZONA / ZONE		REPUESTOS RECOMENDADOS RECOMMENDED SPARE PART					
ITEM	CODIGO REFERENCE	DENOMINACION	DENOMINATION	ACG-102	AG-102	APG-102					
1	12039544	CHISPA BRAHMA	BRAHMA SPARK	-	1	1					
4	12044607	SOPLANTE NRG 118 55kw	BLOWER NRG 118 55kw	-	1	1					
9	12039440	CAJA CONTROL DBC 579	DBC CONTROL BOX 579	-	1	1					
10	12046364	VALVULA REGUL 50HZ ADV	ADV 50HZ VALVE CONTROLL.	-	1	1					
10	12046365	VALVULA REGUL 60HZ ADV	ADV 60HZ VALVE CONTROLL.	-	1	1					
16	12039430	BUJIA GENERADOR 202	PLUG GENERATOR 202	-	1	1					
17	12039431	DETECTOR GENERADOR 202	GENERATOR SENSOR 202	-	1	1					
7	12039544	CHISPA BRAHMA	BRAHMA SPARK	1	1	1					
8	12039440	CAJA CONTROL DBC 579	DBC CONTROL BOX 579	1	1	1					
9	12046364	VALVULA REGUL 50HZ ADV	ADV 50HZ VALVE CONTROLL.	1	1	1					
9	12046365	VALVULA REGUL 60HZ ADV	ADV 60HZ VALVE CONTROLL.	1	1	1					
21	12039448	DETECTOR CONVECCION 1021	CONVECTION DETECTOR 1021	1	1	1					
22	12039447	BUJIA CONVECCION 1021	SPARK CONVECTION 1021	1	1	1					
1	12048798	REP VARIADOR REGULADO ADV	REGULATED VARIATOR ADV	1	1	1					
2	12024642	CONJUN. TERMOPAR CAMARA (Tn)	CHAMBER THERMOCOUPLE (Tn)	1	1	1					
6	12039548	SONDA PINCHO ADVANCE	ADVANCE PROBE PINCHO	1	1	1					
9	12024591	TERMOSTATO LIMITADOR 10/21	LIMITER THERMOSTAT10/21	1	1	1					
10	12024884	TERMOSTATO LIMITADOR CORTE	THERMOSTAT LIMITER	-	1	1					
13	12023862	VENTILADOR 230V.50-60HZ	FAN 230V 50/60HZ	2	2	2					
16	12041634	CONJUN.TERMOPAR VAPOR (Tv)	STEAM THERMOCOUPLE UNIT (Tv)	1	1	-					
16	12039678	CONJUN.TERMOPAR VAPOR Ø4 (Tv)	STEAM THERMOCOUP. UNIT Ø4 (Tv)	-	-	1					
18	12025135	CONDENSADOR 3 µF	CONDENSER 3 µF	-	-	1					
19	12024173	TRANSFORMADOR 12-0-12-0,24-0	TRANSFORMER 12-0-12-0,24-0	1	1	1					
1	12130677	TARJETA GAS GRABADA LAVADO	RECORDED GAS C. BOARD WASH	1	-	-					
2	12130672	TARJETA CAMARA GRAB. LAVADO	RECORD. CHAMBER CARD WASH	1	-	-					
3	12130674	TARJ. PORTAM. GRABADA LAVADO	REC. COTRL PANEL CARD WASH	1	-	-					
6	12129318	SERIGRAFIA ACE-ACG	ACE-ACG SERIGRAPHY	1	-	-					
1	12130677	TARJETA GAS GRABADA LAVADO	RECORDED GAS C. BOARD WASH	-	1	-					
2	12130672	TARJETA CAMARA GRAB. LAVADO	RECORD. CHAMBER CARD WASH	-	1	-					
3	12130675	REP PORTAM. ADVANCE LAVADO	RECORD. C. PANEL CARD WASH	-	1	-					

SIT



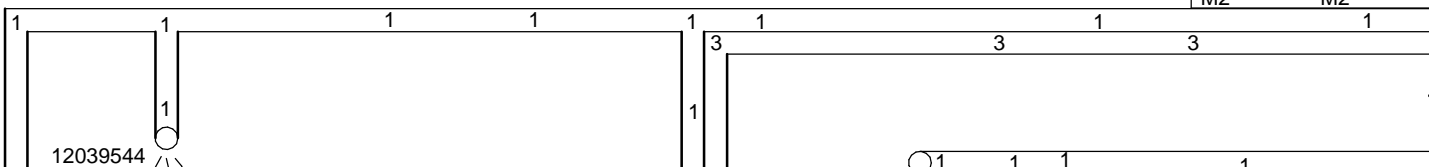
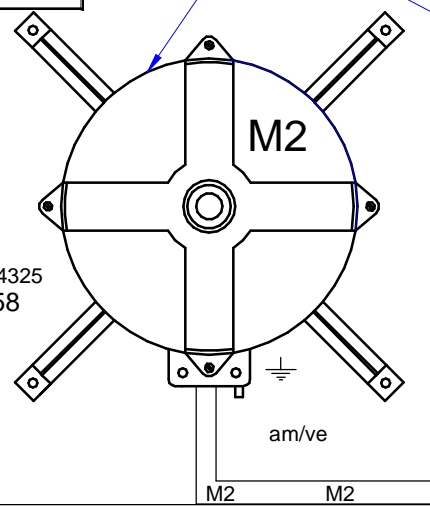


Hanning 12024325
Fir 12024358



		061, 101, 102		202,	201	201, 202	102	101	061
		AG		APG	AG	ACG			
Genrl	1	12039537	12049470 UL	12039472		12044393		12044401	
Cbl.Sp VC1	2	12024598	12008929	12024655	12008929		12024655	12008929	12024598
Cbl.Sp V V	3	12024598		12008929	12024598				
Cbl.Sp VC2	4				12008929				
DII.C1	5	12024399		12024453		12024399			
DII.V	6	12024453							
BMF	7				12023696				
DII.C2	8				12024399				
ADPT	9	12039455				12039455			
Lz	10	12024569		12024575		12024569			
Lavado	11			12040567					
Rst	12			12008976					
TFT	13			12009257					
USB	14			12023775					
Tierra	15				12008032				
Ventilador	16	12130535		12130541		12130535			
Esquema	-			12039676	12049534 UL				
Leyenda	-				12022177				
Ind.Comp	-				12022160				
Sop VC1		NRG118			RG128		NRG118		
Sop VV		NRG118		RG148	NRG118				
Sop VC2					RG128				

Hanning 12024325
Fir 12024358



	ESPAÑOL	FRANÇAIS	ENGLISH
BEC	Bujía Encendido Cámara	Bougie Allumage Chambre	Chamber Spark Plug
BEV	Bujía Encendido Caldera	Bougie Allumage Chaudière	Boiler Spark Plug
C.C.	Control Camara	Contrôle Chambre	Chamber Control
C.E.C	Control Combustión Cámara	Contrôle Combustion Chambre	Chamber Combustion
C.E.V	Control Combustión Caldera	Contrôle Combustion Chaudière	Boiler Combustion
C.G.	Control Gas	Contrôle Gaz	Control Gas
C.V.	Control Caldera	Contrôle Chaudière	Boiler Control
CC1, CC2	Contactador Resistencia Cámara	Contacteur Élément Chauffant Chambre	Chamber Heating Element
CK1, CK2	Contactador General Calentamiento	Relais Élément Chauffant	Heating Element Relay
CV1, CV2	Contactador Resistencias Caldera	Contacteur Élément Chauffant Chaudière	Boiler Heating Element
DEC	Detector Llama Cámara	Détecteur Flamme Chambre	Chamber Flame Detector
DEV	Detector Llama Caldera	Détecteur Flamme Chaudière	Boiler Flame Detector
DN	Detector Nivel Caldera	Détecteur Niveau Chaudière	Boiler Level Detector
F	Fusibles	Fusibles	Fuses
FI	Filtro Interferencias	Filtre Interférences	Interference Filter
FM	Térmico Motor	Thermique Moteur	Thermal Engine
GV1, GV2	Electro válvula Gas Cámara	Électrovanne Gaz Chambre	Chamber Gas Solenoid
GV3, GV4	Electro válvula Gas Caldera	Électrovanne Gaz Chaudière	Boiler Gas Solenoid
Ip	Interruptor Seguridad Puerta	Interrupteur Sécurité Porte	Door Safety Switch
Lz	Luz Interior	Éclairage Intérieur	Inner Light
M, M2	Motor Turbina	Moteur Turbine	Turbine Engine
Ma	Interruptor Micro Abierto	Microrupteur Ouvert	Open Microswitch
Mb	Interruptor Micro Bajada	Microrupteur Descente	Drop Microswitch
Mc	Interruptor Micro Cerrado	Microrupteur Fermé	Closed Microswitch
Mch	Motor Chimenea	Moteur Cheminée	Stack Engine
MD	Motor Desague	Moteur évacuation	Drain Engine
Ms	Interruptor Micro Subida	Microrupteur Montée	Rise Microswitch
PF	Potenciómetro Selector Funciones	Potentiomètre Sélecteur Fonctions	Functions Selector
RC	Resistencias Cámara	Éléments Chauffants Chambre	Chamber Heating Elements
RG	Rele General	Relais Général	Main Relay
RV	Resistencias Caldera	Éléments Chauffants Chaudière	Boiler Heating Elements
Tc	Sonda Cámara	Sonde Chambre	Chamber Probe
TCN	Termostato Condensación	Thermostat Condensation	Condensation Thermostat
Tg	Sonda Caldera	Sonde Chaudière	Boiler Probe
Tn	Sonda Núcleo	Sonde Noyau	Core Probe
TRF	Transformador	Transformateur	Transformer
TSC	Termostato Seguridad Cámara	Thermostat Sécurité Chambre	Chamber Safety Thermostat
TSV	Termostato Seguridad Caldera	Thermostat Sécurité Chaudière	Boiler Safety Thermostat
Tv	Sonda Vapor	Sonde Vapeur	Steam Probe
VAC	Bomba Vaciado	Pompe Vidange	Vacuum Pump
MBA	Moto Bomba Aclarado	Pompe Rinçage	Rinsing Pump
VC1, VC2	Ventilador Soplante Camara	Ventilateur Soufflant	Blowing Fan
VCN	Electro válvula Condensación	Électrovanne Condensation	Condensation Solenoid
VDV	Electro válvula Llenado Caldera	Électrovanne Remplissage Chaudière	Chamber Filling Solenoid
VE	Ventilador Cuadro Eléctrico	Ventilateur Tableau Électrique	Fan Switchboard
VF1,VF2	Variador de Frecuencia	Variateur Vitesse	Speed Variator
VHM	Electro válvula Humidificador	Électrovanne Humidificateur	Humidifier Solenoid
Vv	Ventilador Soplante Caldera	Ventilateur soufflement chaudière	Boiler Blowing Fan
	COLORES	COULEURS	COLOUR
a	Azul	Bleu	Blue
am	Amarillo	Jaune	Yellow
am/ve	Amarillo/verde	Jaune / vert	Yellow / green
b	Blanco	Blanc	White
g	Gris	Gris	Grey
m	Marrón	Marron	Brown
n	Negro	Noir	Black
na	Naranja	Orange	Orange
r	Rojo	Rouge	Red
rs	Rosa	Rose	Pink
ve	Verde	Vert	Green
vi	Violeta	Violet	Purple