

Зип Общепит

vsezip.ru

DESPIECE TECNICO

+7(812)987-08-81

Cocedor de pasta
Pasta cooker
Cuiseur à pâtes
Nudelkocher
Cuocipasta
Cozedor de massa

GAMA 700

Modelos:

CPG7-05

CPE7-05

CPG7-05 NC

CPE7-05 NC

Mayo 2008 May

Revisado Marzo 2014 March Revised

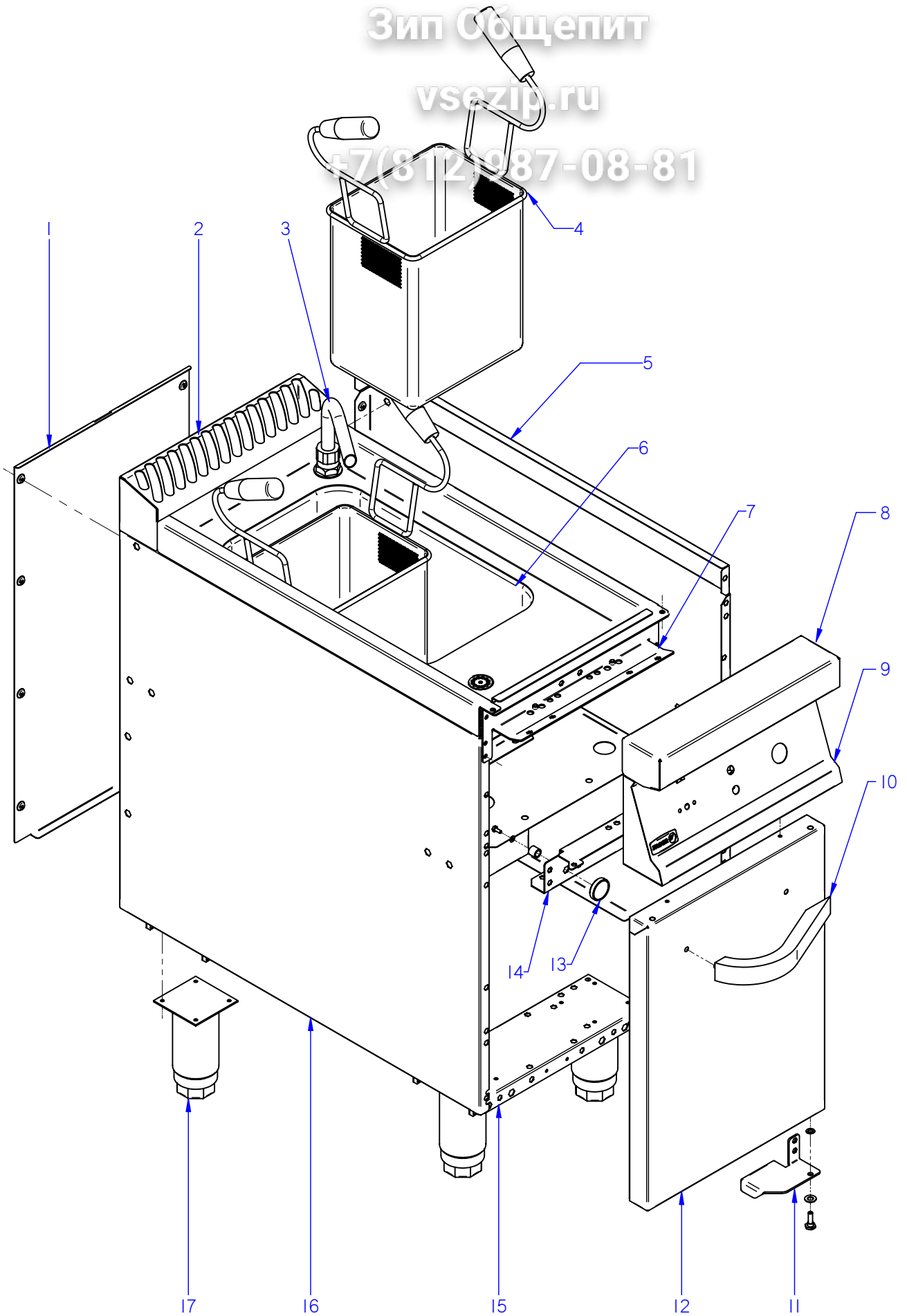
FAGOR 

F A G O R I N D U S T R I A L

Зип Общепит

vsezip.ru

7(812)987-08-81



ITEM MARCADO EN COLOR = REPUESTO RECOMENDADO
COLOURED ITEM = RECOMMENDED SPARE PART

N plano	Firma	Fecha	Aparato	MUEBLE	Lamina	Fagor Industrial S.Coop. FAGOR
C-2045	<i>(Signature)</i>	2008-05	COCEDOR DE PASTA CPG/CPE7-05		1	Oñate

Зип Общепит

MOD.		COCEDOR DE PASTA		MUEBLE			
ITEM	CODIGO	DENOMINACION	TEXTO	CPG7-05 NC	CPG7-05	CPE7-05 NC	CPE7-05
1	X602803000	PANEL POSTERIOR 1/2M G-750 Q	REAR PANEL 1/2M G-750 Q	1	1	1	1
	Q419005000	REMACHE 4X8 ALMG3 / ALUMINIO	RIVET 4X8 ALMG3 / ALUMINIUM	8	8	8	8
2	H125404000	EMBELLECEDOR POSTERIO. 1/2M	REAR TRIM. 1/2M	1	1	1	1
3	S052100000	TUBO LLENADO 01102113	FILLER PIPE 01102113	1	1	1	1
4	H526500000	CESTILLO MEDIANO G700	MEDIUM BASKET G700	-	2	-	2
5	U912802000	PANEL LATERAL DCHO. G700	RIGHT SIDE PANEL G700	1	1	1	1
	Q221342000	REMACHE EXAGONAL M5	HEXAGONAL RIVET M5	4	4	4	4
	Q221343000	REMACHE EXAGONAL M6	HEXAGONAL RIVET M6	4	4	4	4
	Q221343000	REMACHE EXAGONAL M6	HEXAGONAL RIVET M6	7	7	7	7
6	H406101000	CUBA COMPLETA CPG-705	COMPLETE TUB CPG-705	1	1	-	-
6	H416105000	CUBA COMPLETA CPE-705	COMPLETE TUB CPE-705	-	-	1	1
	Q012031000	TORNILLO EXAGONAL M5X10 A.304	HEXAGONAL BOLT M5X10 A.304	4	4	4	4
7	H602602000	ESCUADRA AMARRE ANTER. 1/2	FRONT FASTENING BRACKET 1/2	1	1	1	1
	Q221342000	REMACHE EXAGONAL M5	HEXAGONAL RIVET M5	5	5	5	5
8	H125403000	ANTERIOR MESA 1/2M G-700	FRONT BENCH 1/2M G-700	1	1	1	1
	Q152004000	TORNIL. APLASTADO M5X13 A 304	FLAT HEADED SCREW M5x13 A 304	2	2	2	2
	Q302022000	ARANDELA 16X6X1.2 A.304	WASHER 16X6X1.2 A.304	2	2	2	2
9	H402802000	PORTAMANDOS COMP. CPG-705	COMP. CONTROL HOLDER CPG-	1	1	-	-
9	H412802000	PORTAMANDOS COMP. CPE-705	COMP. CONTROL HOLDER CPE-	-	-	1	1
	Q152004000	TORNIL. APLASTADO M5X13 A 304	FLAT HEADED SCREW M5x13 A 304	4	4	4	4
	Q302022000	ARANDELA 16X6X1.2 A.304	WASHER 16X6X1.2 A.304	2	2	2	2
	U912805000	ESCUDO FAGOR G700	FAGOR EMBLEM G700	1	1	1	1
	Q221023000	CLIP SUJECIÓN RÁPIDA Ø5	RAPID CONNECT CLIP Ø5	2	2	2	2
10	U910506000	ASA ARMARIO COMPL G700	FULL CUPBOARD HANDLE G700	1	1	1	1
	Q162040000	TUERCA EXAGONAL M6	HEXAGONAL NUT M6	2	2	2	2
	Q232040000	ARANDELA A6	WASHER A6	2	2	2	2
11	U020511000	BISAGRA DERECHA INFERIOR	LOWER RIGHT HINGE	1	1	1	1
	X960504000	TORNILLO DE GIRO M8	ROTATION BOLT M8	1	1	1	1
	Q232040000	ARANDELA A6	WASHER A6	2	2	2	2
	Q232050000	ARANDELA A8	WASHER A8	1	1	1	1

Зип Ощепит

vsezip.ru

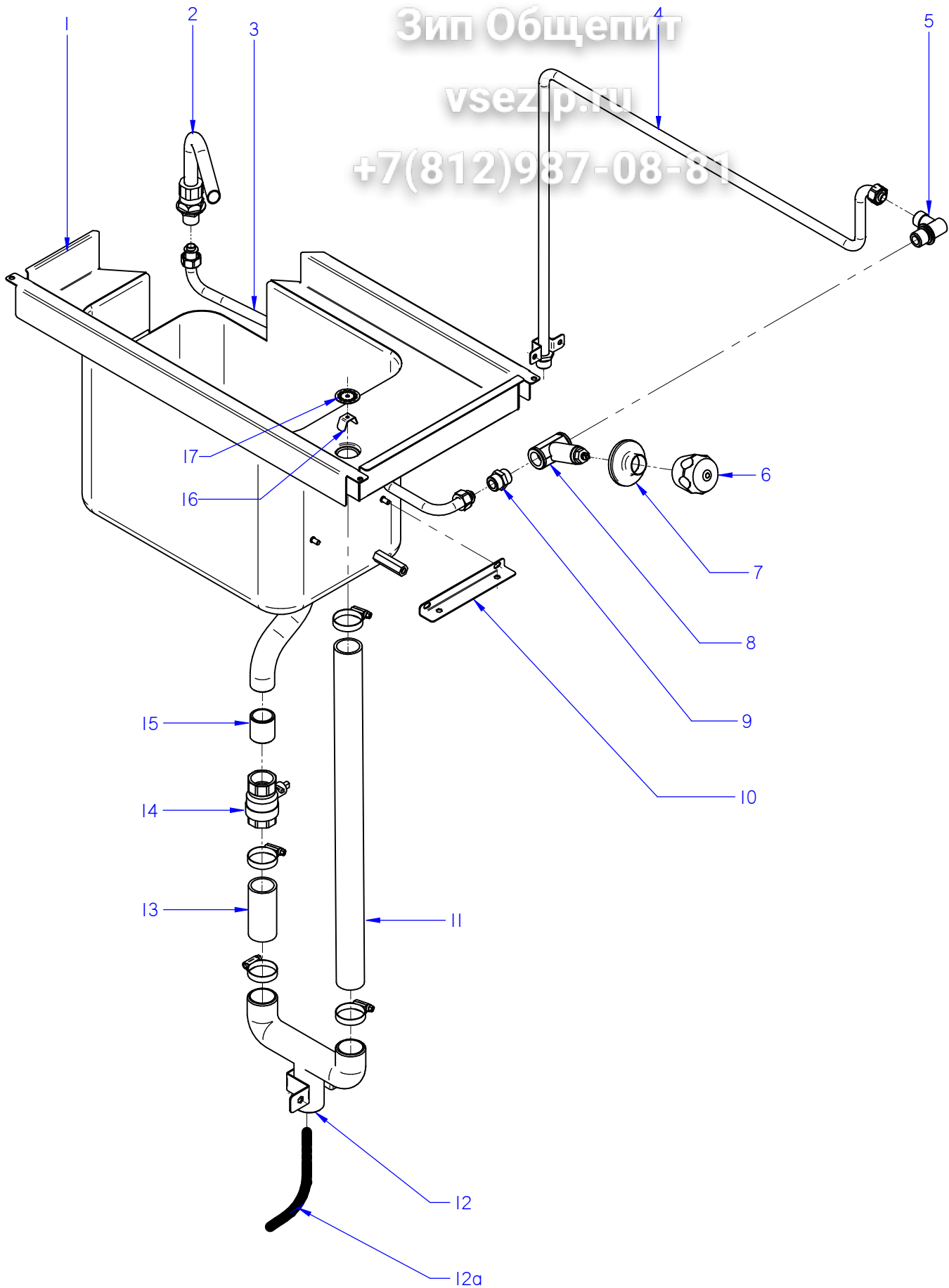
+7(812)987-08-81

MOD.	COCEDOR DE PASTA	ZONA	MUEBLE				
ITEM	CODIGO	DENOMINACION	TEXTO	CPG7-05 NC	CPG7-05	CPE7-05 NC	CPE7-05
12	U910503000	PUERTA LATERAL G700	SIDE DOOR G700	1	1	1	1
	U910504000	CONTRAPUERTA LATERAL G 700	SIDE DOOR REVERSE G 700	1	1	1	1
13	X960501000	IMAN	MAGNET	1	1	1	1
	X960502000	FIJACION IMAN	MAGNET ATTACHMENT	1	1	1	1
	Q012021000	TORN.EXA. M4X10	HEX BOLT M4X10	1	1	1	1
	Q232050000	ARANDELA A8	WASHER A8	1	1	1	1
14	X602603000	LISTON BISAGRA SUPERIOR DCH.	UPPER RIGHT HINGE STRIP	1	1	1	1
	Q221342000	REMACHE EXAGONAL M5	HEXAGONAL RIVET M5	10	10	10	10
15	X602601000	LISTON SOPORTE PATAS 1/2 M	LEG SUPPORT STRIP 1/2 M	2	2	2	2
	Q221342000	REMACHE EXAGONAL M5	HEXAGONAL RIVET M5	4	4	4	4
	Q221343000	REMACHE EXAGONAL M6	HEXAGONAL RIVET M6	2	2	2	2
16	U912801000	PANEL LATERAL IZDO. G700	LEFT SIDE PANEL G700	1	1	1	1
	Q221342000	REMACHE EXAGONAL M5	HEXAGONAL RIVET M5	4	4	4	4
	Q221343000	REMACHE EXAGONAL M6	HEXAGONAL RIVET M6	4	4	4	4
	Q221343000	REMACHE EXAGONAL M6	HEXAGONAL RIVET M6	7	7	7	7
17	X260151000	PATA REGULABLE	ADJUSTABLE LEG	4	4	4	4
	Q411304000	REMACHE AVIBULB Ø 4,8	AVIBULB RIVET Ø 4.8	16	16	16	16

Зип Общепит

vsezip.ru

+7(812)987-08-81



ITEM MARCADO EN COLOR = REPUESTO RECOMENDADO
COLOURED ITEM = RECOMMENDED SPARE PART

N plano	Firma	Fecha	Aparato	TOMA DE AGUA Y DESAGÜE	Lamina	Fagor Industrial S.Coop. FAGOR
C-2046	<i>(Signature)</i>	2008-05	COCEDOR DE PASTA CPG/CPE7-05		2	Oñate

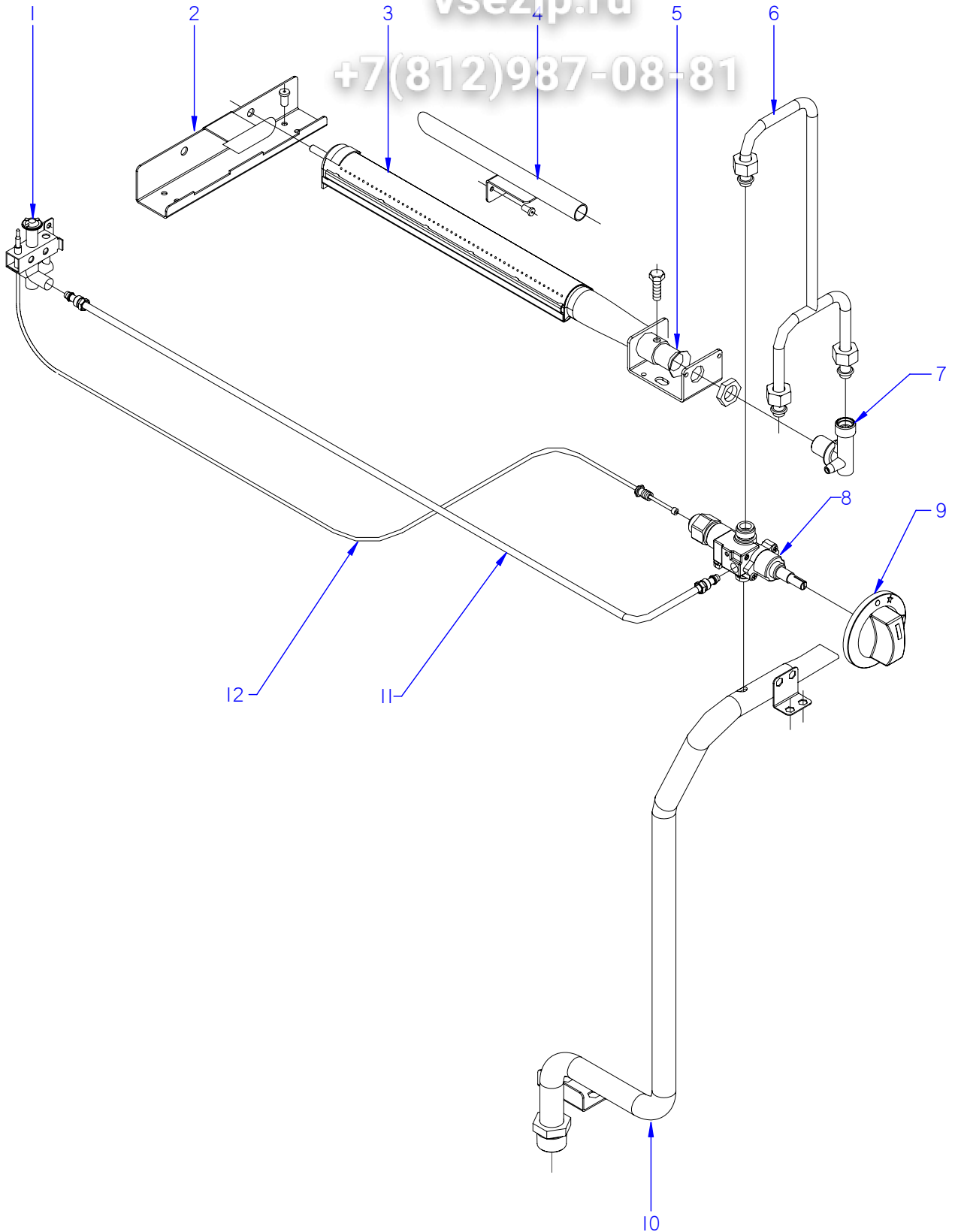
Зип Общепит

MOD.		COCEDOR DE PASTA		vsezip.ru		TOMA DE AGUA Y DESAGÜE	
ITEM	CODIGO	DENOMINACION	TEXTO	CPG7-05	CPE7-05		
1	H406101000	CUBA COMPLETA CPG-705	COMPLETE TUB CPG-705	1	—		
1	H416105000	CUBA COMPLETA CPE-705	COMPLETE TUB CPE-705	—	1		
2	S052100000	TUBO LLENADO 01102113	FILLER PIPE 01102113	1	1		
	Q306013000	ARANDELA PLANA Ø30.4X22.4X3	FLAT WASHER Ø30.4X22.4X3	1	1		
3	H405012000	ENTRADA DE AGUA A CUBA G700	WATER INLET TO TUB G700	1	1		
	Q306024000	JUNTA Ø18X12.5X1.5	SEAL Ø18X12.5X1.5	2	2		
4	H405014000	ENTRADA DE AGUA DE RED G700	WATER INLET FROM MAINS G700	1	—		
4	H415002000	ENTRADA DE AGUA DE RED E700	WATER INLET FROM MAINS E700	—	1		
	Q012031000	TORNILLO EXAGONAL M5X10 A.304	HEXAGONAL BOLT M5X10 A.304	2	2		
	Q232030000	ARANDELA A6	WASHER A6	2	2		
	Q306024000	JUNTA Ø18X12.5X1.5	SEAL Ø18X12.5X1.5	1	1		
5	S115013000	CODO LATON	BRASS ELBOW	1	1		
6	S102109000	MANILLA PLASTICO AGUA FRIA	COLD WATER PLASTIC HANDLE	1	1		
7	S012102000	EMBELLECEDOR	TRIM	1	1		
8	S102111000	CUER.LLAVE PASO AT.CUADRADO	SQUARE AT. STOP COCK BODY	1	1		
9	S205023000	MANGUITO DOBLE 1/2	DOUBLE SLEEVE 1/2	1	1		
10	H086108000	SOPORTE CHAPA PROTECCION	PROTECTIVE PLATE SUPPORT	—	1		
	Q162040000	TUERCA EXAGONAL M6	HEXAGONAL NUT M6	—	2		
11	3714100000	TUBO SILICONA Ø 38*31 550	SILICON PIPE Ø 38*31 550	1	1		
	Q881305000	ABRAZADERA Ø25-40	CLAMP Ø25-40	2	2		
12	H405004000	TUBO DESAGÜE COMPLETO G700	COMPLETE DRAINAGE PIPE G700	1	1		
12a	11000006	TUBO SILICONA BAJA Tª D 38*31	SILICONE PIPE Tª D 38 * 31	1	1		
	Q012031000	TORNILLO EXAGON. M5X10 A.304	HEXAGONAL BOLT. M5X10 A.304	2	2		
	Q302022000	ARANDELA 16X6X1.2 A.304	WASHER 16X6X1.2 A.304	2	2		
13	3714100000	TUBO SILICONA Ø 38*31 550	SILICON PIPE Ø 38*31 550	1	1		
	Q881305000	ABRAZADERA Ø25-40	CLAMP Ø25-40	2	2		
14	X036107000	VALVULA ESFERA PASO TOTAL 1	SPHERICAL VALVE TOTAL PASS	1	1		
15	H525025000	TUBO EMPALME VALVULA ESFERA	CONNECTION PIPE SPHERICAL V	1	1		
16	H506112000	PATILLA FILTRO DESAGÜE	DRAINAGE FILTER PIN	2	2		
	Q412000000	REMACHE TUBULARØ 4 x 8	TUBULAR RIVET Ø 4 x 8	2	2		
17	H506111000	FILTRO DESAGÜE	DRAINAGE FILTER	2	2		

Зип Общепит

vsezip.ru

+7(812)987-08-81



ITEM MARCADO EN COLOR = REPUESTO RECOMENDADO
COLOURED ITEM = RECOMMENDED SPARE PART

N plano	Firma	Fecha	Aparato	PARTE FUNCIONAL DE GAS	Lamina	Fagor Industrial S.Coop. FAGOR
C-2047	<i>[Signature]</i>	2008-05	COCEDOR DE PASTA CPG7-05		3	Oñate

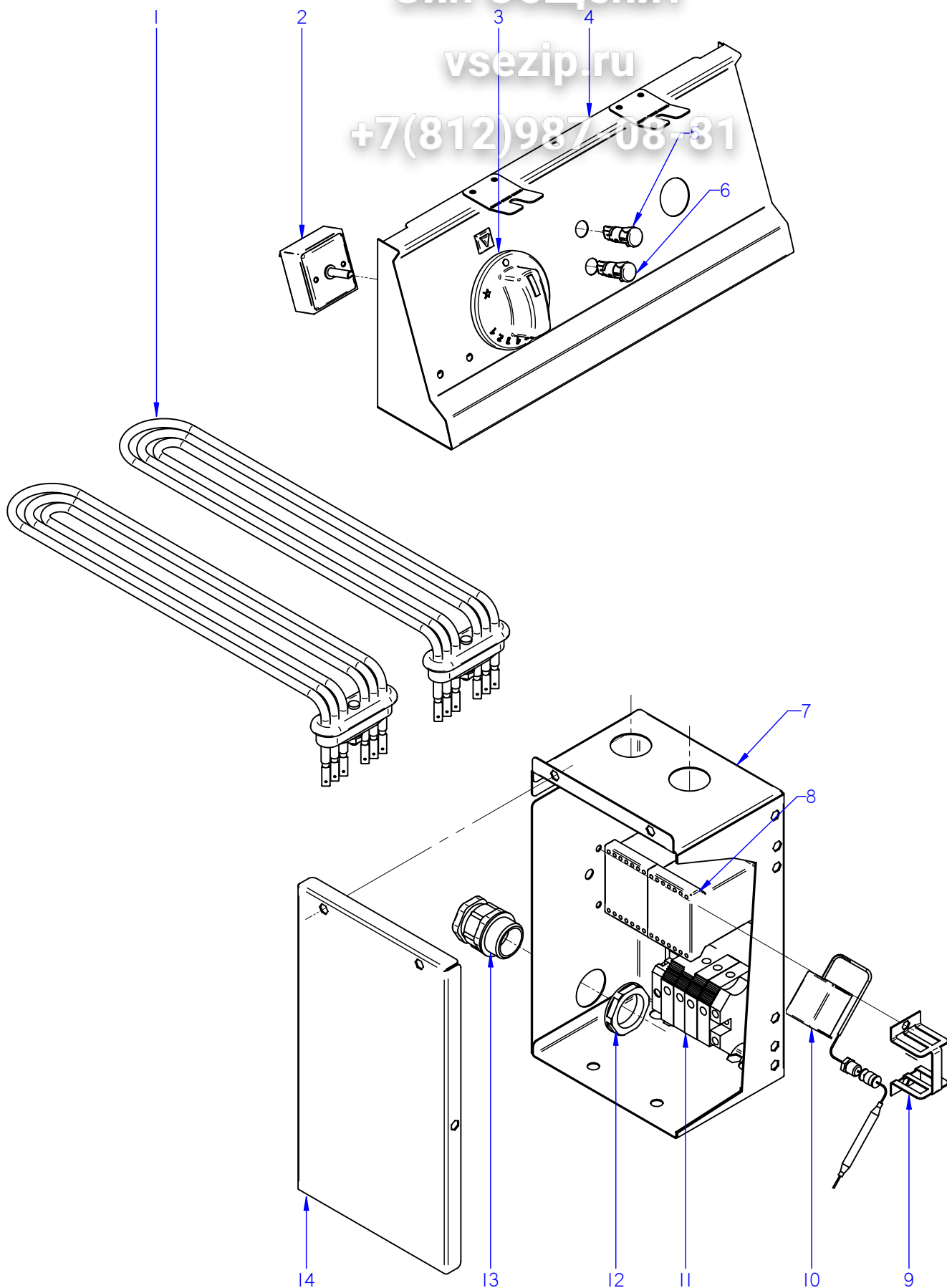
Зип Общепит

MOD.		COCEDOR DE PASTA		ZONA		PARTE FUNCIONAL DE GAS	
ITEM	CODIGO	DENOMINACION	TEXTO	CPG7-05			
1	U322118000	PILOTO COMPLETO 100.062	COMPLETE PILOT LIGHT 100.062	1			
	U442137000	INYECTOR Ø 0.4 G.N.	INJECTOR Ø 0.4 G.N.	1			
	Q012031000	TORNILLO EXAGON. M5X10 A.304	HEXAGONAL BOLT. M5X10 A.304	2			
2	H525712000	ENCENDIDO QUEMADOR COMPL.	COMPLETE BURNER IGNITION	1			
	Q419005000	REMACHE 4X8 ALMG3 / ALUMINIO	RIVET 4X8 ALMG3 / ALUMINIUM	2			
3	H525700000	QUEMADOR COMPLETO CPG-705	COMPLETE BURNER CPG-705	2			
	Q012031000	TORNILLO EXAGON. M5X10 A.304	HEXAGONAL BOLT. M5X10 A.304	2			
	Q223019000	TUERCA 3/8 GAS LATÓN	NUT 3/8 GAS BRASS	2			
4	H405701000	TUBO ENCENDIDO PILOTO COMP.	COMP PILOT IGNITION PIPE	1			
	Q419005000	REMACHE 4X8 ALMG3 / ALUMINIO	RIVET 4X8 ALMG3 / ALUMINIUM	2			
5	U325707000	REGULADOR DE AIRE (QUEMAD.)	AIR CONTROL (BURNER)	2			
	X312400000	TOBERA Ø 1,10 B.P.	NOZZLE Ø 1.10 B.P.	2			
	N502401000	TOBERA Ø 1.70 G.N.	NOZZLE Ø 1.70 B.P.	2			
6	H405009000	SALIDA GRIFO COMPL. CPG-705	COMPL. TAP OUTPUT CPG-705	1			
	Q306062000	ARANDELA Ø13,9X10,33x1,5	WASHER Ø13.9X10.33x1.5	3			
7	U915014000	PORTATOBERAS HORNO	OVEN NOZZLE HOLDER	2			
8	H402102000	GRIFO 3200 BY-PASS 0,8	TAP 3200 BY-PASS 0.8	1			
	U912104000	BRIDA AMARRE GRIFO 1/2"	TAP FASTENING FLANGE 1/2"	1			
	Q122032000	TORNILLO ALLEN M.5x15	ALLEN HEAD SCREW M.5x15	1			
9	H122101000	BOTON DE MANDO Ø8 G700	CONTROL BUTTON Ø8 G700	1			
10	H405000000	ENTRADA GAS COMPL. CPG-705	COMPLETE GAS INPUT CPG-705	1			
	Q221342000	REMACHE EXAGONAL M5	HEXAGONAL RIVET M5	2			
	Q012031000	TORNILLO EXAGON. M5X10 A.304	HEXAGONAL BOLT. M5X10 A.304	2			
	Q232030000	ARANDELA A5	WASHER A5	2			
11	H405017000	TUBO PILOTO COMPLETO CPG-705	COMPLETE PILOT LIGHT PIPE CPG-705	1			
12	U262130000	TERMOPAR 1000	THERMOCOUPLE 1000	1			

Зип Общежит

vsezip.ru

+7(812)987 08 31



ITEM MARCADO EN COLOR = REPUESTO RECOMENDADO
COLOURED ITEM = RECOMMENDED SPARE PART

N plano	Firma	Fecha	Aparato	PARTE FUNCIONAL ELECTRICO	Lamina	Fagor Industrial S.Coop. FAGOR
C-2048	<i>[Signature]</i>	2008-05	COCEDOR DE PASTA CPE7-05		4	Oñate

Зип Общепит

MOD.	COCEDOR DE PASTA	vsezip.ru	PARTE FUNCIONAL ELECTRICA
-------------	-------------------------	-----------	----------------------------------

ITEM	CODIGO	DENOMINACION	TEXTO	CPE7-41				
1	H063002000	RESISTENCIA 4000W 230V	RESISTOR 4000W 230V	2				
2	S333001000	REGULADOR DE ENERGIA	ENERGY REGULATOR	1				
3	H413003000	BOTON DE MANDO Ø6 REGULAD.	CONTROL BUTTON Ø6 REGULAT	1				
4	H412802000	PORTAMANDOS COMP. CPE-705	COMP. CONTROL HOLDER CPE-7	1				
	Q152004000	TORNIL. APLASTADO M5X13 A 304	FLAT HEADED SCREW M5x13 A 3	4				
	Q302022000	ARANDELA 16X6X1.2 A.304	WASHER 16X6X1.2 A.304	2				
	U912805000	ESCUDO FAGOR G700	FAGOR EMBLEM G700	1				
	Q221023000	CLIP SUJECIÓN RÁPIDA Ø5	RAPID CONNECT CLIP Ø5	2				
5	R693055000	PILOTO VERDE 41227000C7	GREEN PILOT 41227000C7	1				
5	12047390	PILOTO VERDE 230V AC 8KW 16MM	GREEN PILOT 230V AC 8KW 16M	1				
6	R693056000	PILOTO AMBAR 41227000A4	AMBER PILOT 41227000A4	4				
6	12024669	PILOTO AMBAR Ø18	AMBER PILOT Ø18	4				
7	H083005000	CUADRO ELECTRICO CPE-705	ELECTRIC PANEL CPE-705	1				
	Z703006000	RACORD A 90 SFWO-P213T	CONNECTION A 90 SFWO-P213T	2				
8	Z203050000	CONTACTOR SIRIUS 3R 230V50-60	CONTACTOR SIRIUS 3R 230V50-6	2				
	Z403016000	GUIA CONTACTOR L-100	CONTACTOR GUIDE L-100	1				
	Q419005000	REMACHE 4X8 ALMG3 / ALUMINIO	RIVET 4X8 ALMG3 / ALUMINIUM	4				
9	Z203060000	AMARRE LIMITADOR TECASA	LIMITER FASTENING TECASA	1				
	Q221342000	REMACHE EXAGONAL M5	HEXAGONAL RIVET M5	2				
	Q152004000	TORNIL. APLASTADO M5X13 A 304	FLAT HEADED SCREW M5x13 A 3	2				
10	Z213014000	LIMITADOR TECASA P.	LIMITER TECASA P.	1				
11	P453025000	BORNES 10 WDU-10203.O	TERMINALS 10 WDU-10203.O	3				
	P453026000	BORNE TIER 10 WPE-10103.O	TERMINAL TIER 10 WPE-10103.O	1				
	Z263302000	BORNA AZUL PASO 16MM	BLUE TAP TERMINAL 16MM	1				
	Z263303000	TOPE FINAL	END STOP	1				
	X083011000	REGLETA FASTON MACHO DOBL	FASTON TERMINAL STRIP DOUB	1				
	Z403016000	GUIA CONTACTOR L-100	CONTACTOR GUIDE L-100	1				
	Q419005000	REMACHE 4X8 ALMG3 / ALUMINIO	RIVET 4X8 ALMG3 / ALUMINIUM	4				
12	R023025000	CONTRATUERCA (GAES)	COUNTERNUT (GAES)	1				
	R023026000	JUNTA GOMA (GAES)	RUBBER SEAL (GAES)	1				
13	R023013000	PRENSA ESTOPAS PG-21	STUFFING BOX PG-21	1				

