

Зип Общепит

vsezip.ru

DESPIECE TECNICO

+7(812)987-08-81

**Marmitas a gas de fuego directo a presión
Gas pressure direct boiling pans
Marmites à gaz chauffage à pression
Gas druck-kochkessel mit direktbeheizung
Pentole riscaldamento diretto ed autoclave a gas
Marmita a gas a pressão**

GAMA 900

Modelos:

MPG9-10

MPG9-15

MPG9-20

Marzo 2009 March

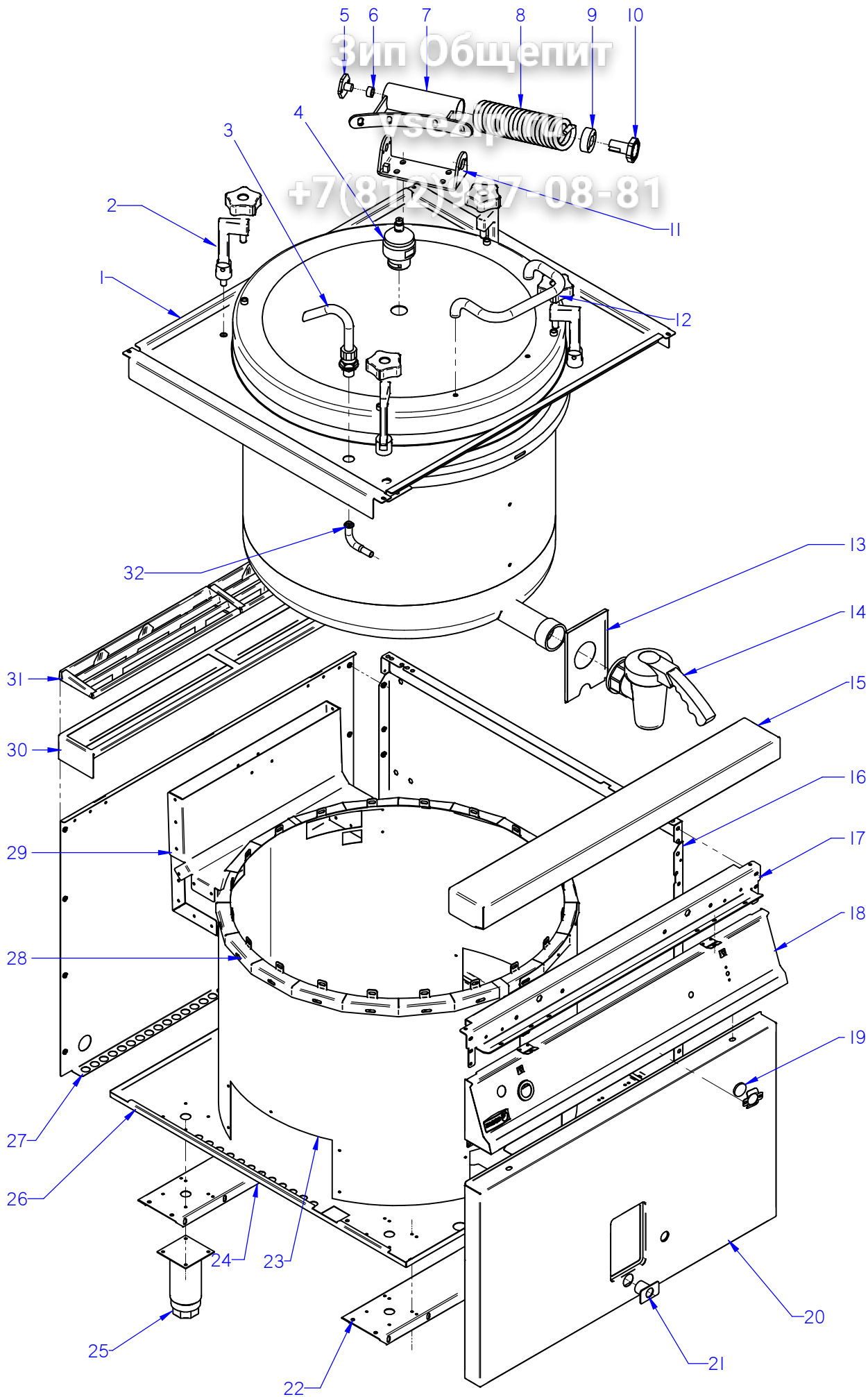
Revisado Mayo 2014 May Revised



FAGOR INDUSTRIAL

Зип Общепит

+7(812)987-08-81



ITEM MARCADO EN COLOR = REPUESTO RECOMENDADO
COLOURED ITEM = RECOMMENDED SPARE PART

N plano	Firma	Fecha	Aparato	MUEBLE	Lamina	Fagor Industrial S.Coop. FAGOR
C-2255	<i>(Signature)</i>	2009-03	MARMITAS MPG9-10; 9-15; 9-20		1	Oñate

MOD.		MARMITAS GAMA 900 / PAN 900 RANGE		ZONA vsezip.ru		MUEBLE / UNIT				
ITEM	CODIGO	DENOMINACION	TEXTO	MPG9-10	MPG9-10 S	MPG9-15	MPG9-15 S	MPG9-20		
1	S106130000	CUBA+TAPA G MPG9-10	TUB+COVER G MPG9-10	1	1					
1	S036161000	CUBA+TAPA G MPG9-15	TUB+COVER G MPG9-15			1	1			
1	S256115000	CUBA+TAPA G MPG9-20	TUB+COVER G MPG9-20					1		
S/Nº	S106128000	CUBA COMPLETA MPG9-10	COMPLETE TUB MPG9-10	1	1					
S/Nº	S036162000	CUBA COMPLETA MPG9-15	COMPLETE TUB MPG9-15			1	1			
S/Nº	S256116000	CUBA COMPLETA MPG9-20	COMPLETE TUB MPG9-20					1		
S/Nº	S056137000	TAPA COMPLETA	COMPLETE COVER	1	1	1	1	1		
	S056109000	JUNTA TAPA	LID SEAL	1	1	1	1	1		
S/Nº	S016101000	FILTRO DE CUBA	TUB FILTER	1	1	1	1	1		
	S036117000	SOPORTE FILTRO	FILTER SUPPORT	2	2	2	2	2		
	Q412000000	REMACHE TUBULAR 4x8	TUBULAR RIVET 4x8	8	8	8	8	8		
2	S052101000	TIRANTE 02101130	TIE ROD 02101130	4	4	4	4	4		
	Q162070000	TUERCA EXAGONAL M12	HEXAGONAL NUT M12	4	4	4	4	4		
	Q261570000	ARANDELA MUELLE A12	SPRING WASHER A12	4	4	4	4	4		
3	S052100000	TUBO LLENADO 01102113	FILLER PIPE 01102113	1	1	1	1	1		
4	S202101000	VALVULA DE PRESION	PRESSURE VALVE	1	1	1	1	1		
5	S116119000	GIRO DE ASA	HANDLE ROTATION	1	1	1	1	1		
	Q012041000	TORNILLO EXAGONAL M6x10 A304	HEXAGONAL BOLT M6x10 A304	2	2	2	2	2		
6	S116126000	COJINETE CILINDRICO	CYLINDRICAL BEARING	1	1	1	1	1		
7	S036143000	BISAGRA COMPLETA	COMPLETE HINGE	1	1	1	1	1		
8	S136108000	RESORTE TAPA 07004	SPRING COVER 07199	1	1	1	1	1		
9	S116118000	CASQUILLO	BUSHING	1	1	1	1	1		
10	S116120000	SENSOR MUELLE	TENSIONING SPRING	1	1	1	1	1		
	Q012042000	TORNILLO EXAGONAL M6x15	HEXAGONAL BOLT M6x15	2	2	2	2	2		
	Q262040000	ARANDELA GROW. A6 A304	WASHER GROW. A6 A304	2	2	2	2	2		
11	S036131000	SOPORTE BISAGRA COMPLETA	COMPLETE HINGE SUPPORT	1	1	1	1	1		
11	S226136000	SOPORTE BISAGRA COMPLETA	COMPLETE HINGE SUPPORT	1	1	1	1	1		
S/Nº	S026102000	REFUERZO BISAGRA MARMITAS	COOK. POT HINGE REINFORCE.	1	1	1	1	1		
	Q232050000	ARANDELA A8	WASHER A8	4	4	4	4	4		
	Q262050000	ARANDELA GROW. A8 A304	WASHER GROW. A8 A304	4	4	4	4	4		
	Q212051000	TUERCA SOMBRERO M8	COWL NUT M8	4	4	4	4	4		

MOD.		MARMITAS GAMA 900 / PAN 900 RANGE		ZONA	MUEBLE / UNIT				
ITEM	CODIGO	DENOMINACION	TEXTO	MPG9-10	MPG9-10 S	MPG9-15	MPG9-15 S	MPG9-20	
12	S036123000	ASA DE TAPA	COVER HANDLE	1	1	1	1	1	
	Q012053000	TORNILLO EXAGONAL M8x20 A304	HEXAGONAL BOLT M8x20 A304	2	2	2	2	2	
	Q302027000	ARANDELA 25x8,4x2	WASHER 25X8.4X2	2	2	2	2	2	
13	S112803000	CUBIERTA GRIFO MG-900	TAP COVER MG-900	1	1	1	1	1	
13	S252804000	CUBIERTA GRIFO MG-920	TAP COVER MG-920	1	1	1	1	1	
	S112105000	MUELLE SOPORTE CUBIERTA	COVER SUPPORT SPRING	1	1	1	1	1	
14	S102125000	GRIFO VACIADO 2"	DRAINAGE TAP 2"	1	1	1	1	1	
15	S105402000	ANTERIOR DE MESA 1M	BENCH FRONT 1M	1	1	1	1	1	
	Q152004000	TORNILLO APLAST. M5x13 A304	MUSHROOM HEAD BOLT M5x13 A304	2	2	2	2	2	
	Q302022000	ARANDELA 16x6x1,2 A304	WASHER 16x6x1.2 A304	2	2	2	2	2	
16	X162814000	PANEL LATERAL DERECHO G900	RIGHT SIDE PANEL G900	1	1	1	1	1	
16	S142806000	PANEL LATERAL DERECH. G9-00S	RIGHT SIDE PANEL G9-00S	1	1	1	1	1	
16	S222808000	PANEL LATERAL DERECH. G9-00S	RIGHT SIDE PANEL G9-00S	1	1	1	1	1	
S/Nº	X162813000	PANEL LATERAL IZQUIERDO G900	LEFT SIDE PANEL G900	1	1	1	1	1	
S/Nº	S142805000	PANEL LATERAL IZQUIERD. G900S	LEFT SIDE PANEL G900S	1	1	1	1	1	
S/Nº	S222807000	PANEL LATERAL IZQUIERD. G915S	LEFT SIDE PANEL G915S	1	1	1	1	1	
	Q221343000	REMACHE EXAGONAL M6	HEXAGONAL RIVET M6	22	22	22	22	22	
	Q221342000	REMACHE EXAGONAL M5	HEXAGONAL RIVET M5	12	12	12	12	12	
	Q012053000	TORNILLO EXAGONAL M8x20 A304	HEXAGONAL BOLT M8x20 A304	4	4	4	4	4	
	Q012031000	TORNILLO EXAGONAL M5x10 A304	HEXAGONAL BOLT M5x10 A304	2	2	2	2	2	
17	S222606000	ESCUADRA INTE. ANT. MESA 1M	BENCH FRONT INT BRACKET 1M	1	1	1	1	1	
	Q221342000	REMACHE EXAGONAL M5	HEXAGONAL RIVET M5	7	7	7	7	7	
	Q012032000	TORNILLO EXAGONAL M5X15	HEXAGONAL BOLT M5x15	6	6	6	6	6	
18	S222809000	PORTAMANDOS MARMITA 1M	PAN CONTROL HOLDER 1M	1	1	1	1	1	
	Q152004000	TORNILLO APLAST. M5x13 A304	MUSHROOM HEAD BOLT M5x13 A304	4	4	4	4	4	
	Q221343000	REMACHE EXAGONAL M6	HEXAGONAL RIVET M6	2	2	2	2	2	
	Q151336000	TORNILLO SOPORTE GUIAS	GUIDE SUPPORT BOLT	2	2	2	2	2	
	Q302022000	ARANDELA 16x6x1,2 A304	WASHER 16x6x1.2 A304	2	2	2	2	2	
	U022836000	ESCUDO FAGOR	FAGOR EMBLEM	1	1	1	1	1	
	Q221023000	CLIP SUJECIÓN RÁPIDA Ø 5	RAPID FASTENING CLIP Ø5	2	2	2	2	2	

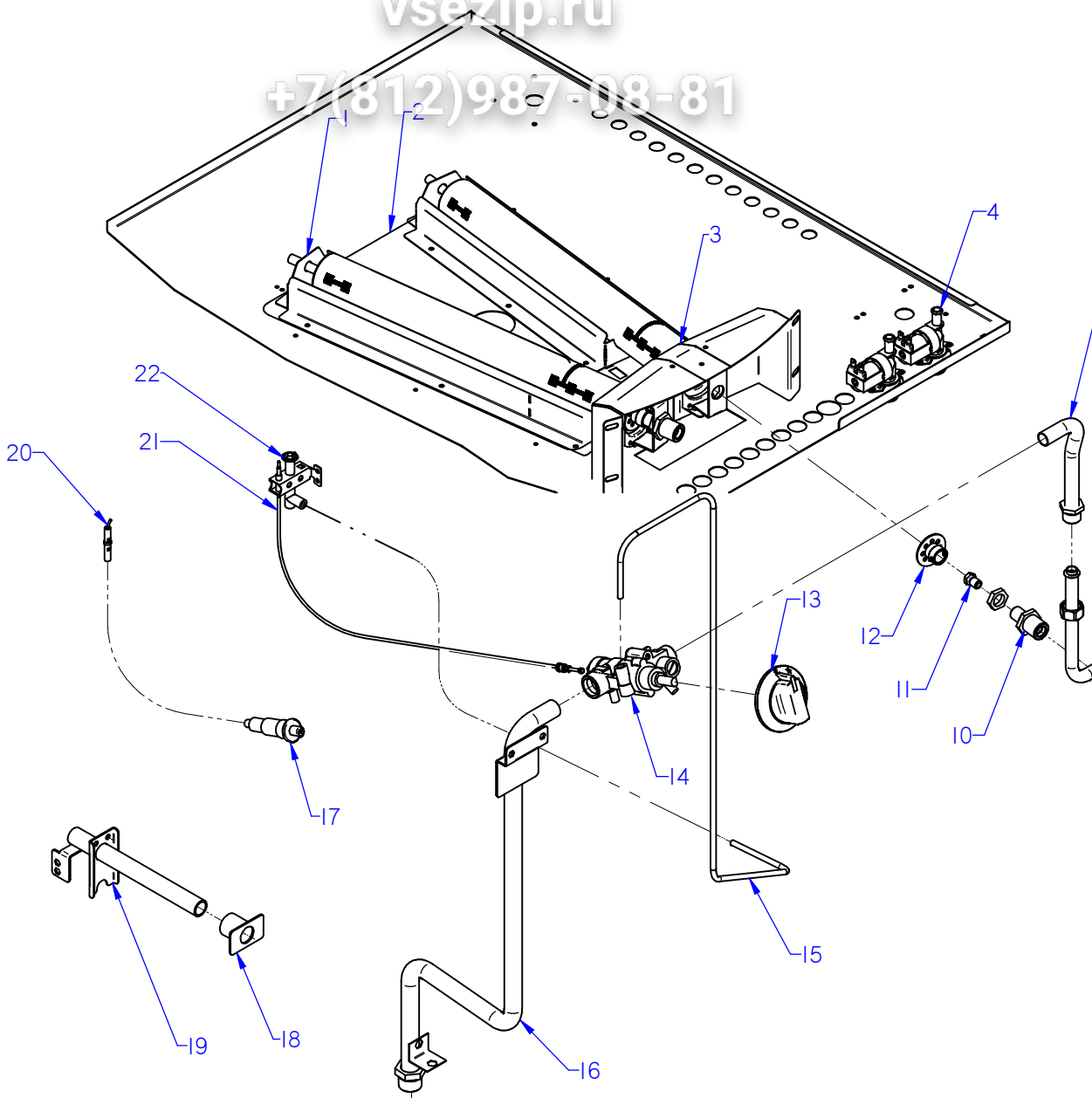
MOD.		MARMITAS GAMA 900 / PAN 900 RANGE		ZONA vsezip.ru		MUEBLE / UNIT				
ITEM	CODIGO	DENOMINACION	TEXTO	MPG9-10	MPG9-10 S	MPG9-15	MPG9-15 S	MPG9-20		
19	9294600000	MIRILLA CRISTAL	INSPECTION WINDOW	1	1	1	1	1		
S/Nº	S312617000	TAPA MIRILLA	INSPECTION WINDOW COVER	1	1	1	1	1		
	Q221342000	REMACHE EXAGONAL M5	HEXAGONAL RIVET M5	2	2	2	2	2		
	Q012031000	TORNILLO EXAGONAL M5x10 A304	HEXAGONAL BOLT M5x10 A304	2	2	2	2	2		
20	S102810000	PANEL FRONTAL MG9-10	FRONT PANEL MG9-10	1	-	-	-	-		
20	12044125	PANEL FRONTAL MG9-10+PERNO	FRONT PANEL MG9-10+BOLT	1	-	-	-	-		
20	S102812000	PANEL FRONTAL MG9-10S	FRONT PANEL MG9-10S	-	1	-	-	-		
20	12044131	PANEL FRONTAL MG9-10S+PERNO	FRONT PANEL MG9-10S+BOLT	-	1	-	-	-		
20	S032808000	PANEL FRONTAL MG9-15	FRONT PANEL MG9-15	-	-	1	1	-		
20	12044134	PANEL FRONTAL MG9-15+PERNO	FRONT PANEL MG9-15+BOLT	-	-	1	1	-		
20	S252803000	PANEL FRONTAL MG9-20	FRONT PANEL MG9-20	-	-	-	-	1		
20	12044138	PANEL FRONTAL MG9-20+PERNO	FRONT PANEL MG9-20+BOLT	-	-	-	-	1		
	Q012042000	TORNILLO EXAGONAL M6x15	HEXAGONAL BOLT M6x15	2	2	2	2	2		
	Q302022000	ARANDELA 16x6x1,2 A304	WASHER 16x6x1.2 A304	2	2	2	2	2		
S/Nº	12044303	LAGRIMA	IGNITOR WINDON COVER	1	1	1	1	1		
S/Nº	12025252	MUELLE 07777	SPRING 07777	1	1	1	1	1		
21	S112804000	EMBELLECEDOR TUBO	PIPE TRIM	1	1	1	1	1		
	Q221324000	TUERCA 3/4 GAS	NUT 3/4 GAS	1	1	1	1	1		
22	S102610000	LISTON SOPORTE PATAS ANT. 1M	FRONT LEG SUPPORT STRIP 1M	1	-	1	-	1		
22	12005781	LISTON SOPORTE PATAS ANT. 1M	FRONT LEG SUPPORT STRIP 1M	1	-	1	-	1		
23	S102605000	ENVOLVENTE MG9-10	ENCLOSURE MG9-10	1	-	-	-	-		
23	S102621000	ENVOLVENTE MG9-10 S	ENCLOSURE MG9-10 S	-	1	-	-	-		
23	S032655000	ENVOLVENTE MG9-15	ENCLOSURE MG9-15	-	-	1	1	-		
23	S252604000	ENVOLVENTE MG9-20	ENCLOSURE MG9-20	-	-	-	-	1		
	Q151323000	TORNILLO BROCA 4,8X16	DRILL BIT SCREW 4.8X16	27	27	27	27	27		
24	S102611000	LISTON SOPORTE PATAS POS.1M	REAR LEG SUPPORT STRIP 1M	1	-	1	-	1		
24	12005782	LISTON SOPORTE PATAS POS.1M	REAR LEG SUPPORT STRIP 1M	1	-	1	-	1		
	Q012042000	TORNILLO EXAGONAL M6x15	HEXAGONAL BOLT M6x15	8	-	8	-	8		
	Q302022000	ARANDELA 16x6x1,2 A304	WASHER 16x6x1.2 A304	8	-	8	-	8		
25	X260151000	PATA REGULABLE	ADJUSTABLE LEG	4	-	4	-	4		
	Q411304000	REMACHE AVIBULB Ø4,8	AVIBULB RIVET Ø4.8	16	-	16	-	16		

MOD.		MARMITAS GAMA 900 / PAN 900 RANGE		ZONA vsezip.ru		MUEBLE / UNIT				
ITEM	CODIGO	DENOMINACION	TEXTO	MPG9-10	MPG9-10 S	MPG9-15	MPG9-15 S	MPG9-20		
26	S222620000	BASE INFERIOR	LOWER BASE	1	-	1	-	1		
26	12006993	BASE INFERIOR	LOWER BASE	1	-	1	-	1		
26	S142617000	BASE INFERIOR MG9-10 S	LOWER BASE MG9-10 S	-	1	-	-	-		
26	12041352	BASE MG9-10 S COMPLETA	COMP. LOWER BASE MG9-10 S	-	1	-	-	-		
26	S222640000	BASE INFERIOR S	LOWER BASE S	-	-	-	1	-		
26	12041620	BASE MG9-15-20 S COMPLETA	LOWER BASE MG9-15-20 S	-	-	-	1	-		
	Q221343000	REMACHE EXAGONAL M6	HEXAGONAL RIVET M6	2	2	2	2	2		
	Q162040000	TUERCA EXAGONAL M6	HEXAGONAL NUT M6	4	-	4	-	4		
27	U562853000	PANEL POSTERIOR 1M G9-00	REAR PANEL 1M G9-00	1	-	1	-	1		
27	X242817000	PANEL POSTERIOR 1M G9-10S	REAR PANEL 1M G9-10S	-	1	-	-	-		
27	S372816000	PANEL POSTERIOR 1M G9-15 S	REAR PANEL 1M G9-15 S	-	-	-	1	-		
	Q419005000	REMACHE 4x8 ALMG3 / ALUMINIO	RIVET 4X8 ALMG3 / ALUMINIUM	8	8	8	8	8		
28	S102609000	VIROLA MG900 FG	SHELL MG900 FG	2	2	2	2	-		
28	S102616000	VIROLA MG900 BM	SHELL MG900 BM	-	-	-	-	2		
	Q162040000	TUERCA EXAGONAL M6	HEXAGONAL NUT M6	20	20	20	20	20		
	Q302022000	ARANDELA 16x6x1,2 A304	WASHER 16x6x1.2 A304	20	20	20	20	20		
29	S032653000	ANTERIOR CHIMENEA MG9-10	FLUEPIPE FRONT MG9-10	1	1	1	1	-		
29	S022655000	ANTERIOR CHIMENEA	FRONT FLUEPIPE	-	-	-	-	1		
29A	S032641000	AMARRE LATERALCHIMENEA	FLUEPIPE SIDE FASTENING	2	2	2	2	-		
29A	S022654000	AMARRE LATERALCHIMENEA	FLUEPIPE SIDE FASTENING	-	-	-	-	2		
29B	S032652000	POSTERIOR CHIMENEA	REAR FLUEPIPE	1	1	1	1	-		
29B	S022653000	POSTERIOR CHIMENEA	REAR FLUEPIPE	-	-	-	-	1		
29C	S035400000	PROTECTOR CHIMENEA	FLUEPIPE PROTECTOR	1	1	1	1	-		
29D	S022656000	DISTANCIADOR CHIMENEA	FLUEPIPE SPACER	-	-	-	-	1		
	Q419005000	REMACHE 4X8 ALMG3 / ALUMINIO	RIVET 4X8 ALMG3 / ALUMINIUM	24	24	24	24	24		
	Q151323000	TORNILLO BROCA 4,8X16	DRILL BIT SCREW 4.8X16	4	4	4	4	4		
30	R205439000	SOPORTE EMBELLECEDOR 1M	TRIM SUPPORT 1M	1	1	1	1	1		
31	R205425000	EMBELLECEDOR ESMALTE	ENAMEL TRIM	2	2	2	2	2		

Зип Общепит

vsezip.ru

+7(812)987-08-81



ITEM MARCADO EN COLORES = REPUUESTO RECOMENDADO
COLOURED ITEM = RECOMMENDED SPARE PART

N plano	Firma	Fecha	Aparato	CONJUNTO FUNCIONAL	Lamina	Fagor Industrial S. Coop. FAGOR Opre
C-2256	<i>(Signature)</i>	2009-03	MARMITAS MRG9-10; 9-15; 9-20		2	

MOD.	MARMITAS GAMA 900/ PAN 900 RANGE	ZONA	CONJUNTO FUNCIONAL / FUNCTIONAL UNIT					
ITEM	CODIGO	DENOMINACION	TEXTO	MPG9-10	MPG9-15	MPG9-15		
1	S225701000	QUEMADOR DE POLIDORO MG900	POLIDORO BURNER MG900	2	2	2		
1	12044878	QUEMADOR DE POLIDORO	POLIDORO BURNER	2	2	2		
S/Nº	12043764	PORTATOVERAS QUEMADOR MAR.	BURNER NOZZLE HOLDER	2	2	2		
	Q012021000	TORNILLO EXAGONAL M4x10 A304	HEXAGONAL BOLT M4x10 A304	8	8	8		
2	S102603000	BASE QUEMADOR MG9-10	BURNER BASE MG-910	1	—	—		
2	S032654000	BASE QUEMADOR MG-915	BURNER BASE MG-915	—	1	—		
2	S222633000	BASE QUEMADOR MG-915 BM	BURNER BASE MG-915 BM	—	—	1		
	Q419005000	REMACHE 4x8 ALMG3 / ALUMINIO	RIVET 4X8 ALMG3 / ALUMINIUM	—	10	10		
S/Nº	S222630000	DEFLECTOR DCHO. QUEMADOR	RIGHT DEFLECTOR BURNER	1	1	1		
S/Nº	S222631000	DEFLECTOR IZDO. QUEMADOR	LEFT DEFLECTOR BURNER	1	1	1		
3	S102606000	FRONTAL QUEMADOR MG9-10	BURNER FRONT MG9-10	1	—	—		
3	12044771	FRONTAL QUEMADOR MG9-10	BURNER FRONT MG9-10	1	—	—		
3	S032656000	FRONTAL QUEMADOR MG9-15	BURNER FRONT MG9-15	—	1	—		
3	12044767	FRONTAL QUEMADOR MG9-15	BURNER FRONT MG9-15	—	1	—		
3	S252605000	FRONTAL QUEMADOR MG9-20	BURNER FRONT MG9-20	—	—	1		
3	12043846	FRONTAL QUEMADOR MG9-20	BURNER FRONT MG9-20	—	—	1		
	Q221342000	REMACHE EXAGONAL M5	HEXAGONAL RIVET M5	2	2	2		
	Q221341000	REMACHE EXAGONAL M4	HEXAGONAL RIVET M4	8	8	8		
4	Z701135000	ELECTROVALVULA SIMP. 220V	SIMPLE SOLENOID VALVE 220V	2	2	2		
	S222645000	PROT. ELECTROVALVULA M900	SOLENOID PROTECTION M900	1	1	1		
	S222646000	TAPA PROTEC. ELECTR. M900	PROT. COVER SOLENOID M900	1	1	1		
	Z601156000	REGULADOR 8L RO. 254.034	REGULATOR 8L RED 254.034	2	2	2		
	Q032021000	TORNILLO ALOMADO M4X10	CURVED SCREW M4X10	4	4	4		
5	S565015000	CONDUCCION CONEXION GRIFO	TAP CONNECTION PIPE	1	1	1		
	Q306024000	JUNTA 18X12.5X1.5	SEAL 18x12.5x1.5	3	3	3		
6	R693004000	CONMUTADOR DE FUNCIONES	FUNCTIONS SWITCH	1	1	1		
	Q042022000	TORNILLO AVELLANADO M4X15	COUNTERSUNK BOLT M4x15	2	2	2		
7	X143018000	PILOTO AMBAR SARTEN	FRYING PAM AMBER PILOT	1	1	1		
7	12024669	PILOTO AMBAR Ø18	AMBER PILOT Ø18	1	1	1		
8	S142105000	MANDO AGUA MARMITA FG(08)	WATER PAN CONTROL FG(08)	1	1	1		

MOD.		MARMITAS GAMA 900/ PAN 900 RANGE		ZONA	CONJUNTO FUNCIONAL / FUNCTIONAL UNIT		
ITEM	CODIGO	DENOMINACION	TEXTO	MPG9-10	MPG9-15	MPG9-15	
9	S105004000	CONDUCCION A QUEMADOR G910	PIPING TO BURNER G910	1	1	1	
9	S035038000	CONDUCCION A QUEMADOR G915	PIPING TO BURNER G915	1	1	1	
9	S045033000	CONDUCCION A QUEMADOR G920	PIPING TO BURNER G920	1	1	1	
	S312105000	TUERCA FIJAC.COND.QUEMADOR	BURNER PIPE FASTENING NUT	1	1	1	
	S312106000	BICONO Ø16	BICONE Ø16	1	1	1	
10	X505724000	MANGUITO PORTATOVERAS	NOZZLE HOLDER SLEEVE	2	2	2	
	Q223019000	TUERCA 3/8 GAS LATÓN	NUT 3/8 GAS BRASS	2	2	2	
11	9105100000	TOBERA Ø 1.50 BUT-PROPANO	NOZZLE Ø1.50 BUT-PROPANE	2	2	2	
11	U134401000	TOBERA Ø 2,20 GAS NATURAL	NOZZLE Ø2.20 GAS NATURAL	2	2	2	
11	N502401000	TOBERA Ø 1.70 BUT-PROPANO	NOZZLE Ø1.70 BUT-PROPANE	2	2	2	
11	S222401000	TOBERA Ø 2,55 GAS NATURAL	NOZZLE Ø2.55 GAS NATURAL	2	2	2	
12	X505013000	REGULADOR DE AIRE POLIDORO	POLIDORO AIR CONTROL	2	2	2	
	Q012021000	TORNILLO EXAGONAL M4x10 A304	HEXAGONAL BOLT M4x10 A304	2	2	2	
13	S102103000	BOTON DE MANDO MARMITA	PAN CONTROL BUTTON	1	1	1	
14	S312101000	GRIFO SC. PEL-23S.V Ø1,40	TAP SC. PEL-23S.V Ø1,40	1	1	1	
14	S312115000	GRIFO SC. PEL-23S.V Ø 2,2	TAP SC. PEL-23S.V Ø 2,2	1	1	1	
15	S105027000	TUBO PILOTO MG9-10	PILOT PIPE MG9-10	1	1	1	
15	12044802	SUPERIOR TUBO PILOTO MG9-10	PILOT PIPE MG9-10 UPPER	1	1	1	
15	12044799	INFER. PILOTO COMPL MG9-10 BM	PILOT PIPE MG9-10 BM LOWER	1	1	1	
15	S035037000	TUBO PILOTO MG9-15	PILOT PIPE MG9-15	1	1	1	
15	12044800	SUPERIOR TUBO PILOTO MG9-15	PILOT PIPE MG9-15 UPPER	1	1	1	
15	12044799	INFER. PILOTO COMPL MG9-10 BM	PILOT PIPE MG9-10 BM LOWER	1	1	1	
15	S045035000	TUBO PILOTO MG9-20	PILOT PIPE MG9-20	1	1	1	
15	12043854	SUPERIOR TUBO PILOTO MG9-20	PILOT PIPE MG9-20 UPPER	1	1	1	
15	12044860	INFER. PILOTO COMPL MG9-20	PILOT PIPE MG9-20 LOWER	1	1	1	
	X205028000	BICONO Ø 6	BICONE Ø 6	1	1	1	
	S312107000	MANGUITO TUBO PILOTO	PILOT PIPE HOSE	1	1	1	
	U134323000	RACORD BICONO Ø 6 958.031	BICONE CONNECTION Ø 6 958.031	2	2	2	

MOD.		MARMITAS GAMA 900/ PAN 900 RANGE		ZONA		CONJUNTO FUNCIONAL / FUNCTIONAL UNIT			
ITEM	CODIGO	DENOMINACION	TEXTO	MPG9-10	MPG9-15	MPG9-15			
16	S205029000	CONDUCCION GRAL. MARMITAS	GEN. PIPE PANS.	1	1	1			
	Q152004000	TORNILLO APLAST. M5x13 A304	MUSHROOM HEAD BOLT M5x13 A304	1	1	1			
	Q012042000	TORNILLO EXAGONAL M6x15	HEXAGONAL BOLT M6x15	1	1	1			
	Q302022000	ARANDELA 16x6x1,2 A304	WASHER 16x6x1.2 A304	1	1	1			
	Q221343000	REMACHE EXAGONAL M6	HEXAGONAL RIVET M6	1	1	1			
	S312103000	TUERCA FIJACION COND. GNRAL	GEN. PIPE FASTEN NUT	1	1	1			
	S312104000	BICONO Ø20	BICONE Ø20	1	1	1			
S/Nº	Z602121000	MANGUERA ENTRADA AGUA	WATER INTAKE HOSE	2	2	2			
17	S113034000	PIEZO ELECTRICO	PIEZOELECTRIC	1	1	1			
17	12043897	PIEZO ELECTRICO COMPLETO	COMPL. PIEZOELECTRIC	1	1	1			
S/Nº	12043907	ANILLO ADAPTADOR PIEZOELECTR.	PIEZOELECTRIC ADAPTER RING	1	1	1			
18	S112804000	EMBELLECEDOR TUBO	PIPE TRIM	1	1	1			
19	S225042000	TUBO ENCENDIDO COMP. MG-900	COMPLETE IGNITION PIPE MG-900	1	1	1			
19	S265012000	TUBO ENCENDIDO COMP. MG-900	COMPLETE IGNITION PIPE MG-900	1	1	1			
19	12043851	TUBO ENCENDIDO COMP. MG-900	COMPLETE IGNITION PIPE MG-900	1	1	1			
S/Nº	12043814	AMARRE PILOTO MARMITAS	PANS. TIE PILOT	1	1	1			
	Q012031000	TORNILLO EXAGONAL M5x10 A304	HEXAGONAL BOLT M5x10 A304	2	2	2			
20	X022131000	BUJIA	SPARK PLUG	1	1	1			
21	U562130000	TERMOPAR L=850	THERMOCOUPLE L=850	1	1	1			
22	R202100000	CONJUNTO SOPORTE PILOTO	PILOT SUPPORT UNIT	1	1	1			
22	U322118000	PILOTO COMPLETO BP 100.062	COMPL. PILOT BP 100.062	1	1	1			
	U442137000	INYECTOR Ø 0,4 (GAS NATURAL)	NOZZLE Ø 0.4 (GAS NATURAL)	1	1	1			
	Q221342000	REMACHE EXAGONAL M5	HEXAGONAL RIVET M5	2	2	2			
	Q012031000	TORNILLO EXAGON. M5x10 A304	HEXAGONAL BOLT. M5x10 A304	2	2	2			

MOD.	MARMITAS GAMA 900/ PAN 900 RANGE	ZONA	CONJUNTO FUNCIONAL / FUNCTIONAL UNIT					
ITEM	CODIGO	DENOMINACION	TEXTO	MPG9-10 S	MPG9-15 S	MPG9-20 S		
1	12041558	CONDUCCION AGUA CALIENTE	HOT WATER PIPE	1	1	1		
2	12041556	CONDUCCION AGUA FRIA	COLD WATER PIPE	1	1	1		
S/Nº	12010191	JUNTA TUBO 14X24X3	SEAL PIPE 14X24X3	2	2	2		
3	S102620000	BASE QUEMADOR MG-910 S	BURNER BASE MG-910 S	1	—	—		
3	S032654000	BASE QUEMADOR MG-915	BURNER BASE MG-915	—	1	—		
3	S222633000	BASE QUEMADOR MG-915 BM	BURNER BASE MG-915 BM	—	—	1		
	Q419005000	REMACHE 4x8 ALMG3 / ALUMINIO	RIVET 4X8 ALMG3 / ALUMINIUM	10	10	10		
S/Nº	S222630000	DEFLECTOR DCHO. QUEMADOR	RIGHT DEFLECTOR BURNER	1	1	1		
S/Nº	S222631000	DEFLECTOR IZDO. QUEMADOR	LEFT DEFLECTOR BURNER	1	1	1		
4	S225701000	QUEMADOR DE POLIDORO MG900	POLIDORO BURNER MG900	2	2	2		
4	12044878	QUEMADOR DE POLIDORO	POLIDORO BURNER	2	2	2		
	Q012021000	TORNILLO EXAGONAL M4x10 A304	HEXAGONAL BOLT M4x10 A304	8	8	8		
5	Z701135000	ELECTROVALVULA SIMP. 220V	SIMPLE SOLENOID VALVE 220V	2	2	2		
	Z601156000	REGULADOR 8L RO. 254.034	REGULATOR 8L RED 254.034	2	2	2		
	Z601156000	REGULADOR 8L RO. 254.034	REGULATOR 8L RED 254.034	1	1	1		
	Q032021000	TORNILLO ALOMADO M4X10	CURVED SCREW M4X10	4	4	4		
6	S102606000	FRONTAL QUEMADOR MG9-10	BURNER FRONT MG9-10	1	—	—		
6	12044771	FRONTAL QUEMADOR MG9-10	BURNER FRONT MG9-10	1	—	—		
6	S032656000	FRONTAL QUEMADOR MG9-15	BURNER FRONT MG9-15	—	1	—		
6	12044767	FRONTAL QUEMADOR MG9-15	BURNER FRONT MG9-15	—	1	—		
6	S252605000	FRONTAL QUEMADOR MG9-20	BURNER FRONT MG9-20	—	—	1		
6	12043846	FRONTAL QUEMADOR MG9-20	BURNER FRONT MG9-20	—	—	1		
7	R693004000	CONMUTADOR DE FUNCIONES	FUNCTIONS SWITCH	1	1	1		
	Q042022000	TORNILLO AVELLANADO M4X15	COUNTERSUNK BOLT M4x15	2	2	2		
8	X143018000	PILOTO AMBAR SARTEN	FRYING PAM AMBER PILOT	1	1	1		
8	12024669	PILOTO AMBAR Ø18	AMBER PILOT Ø18	1	1	1		
9	S142105000	MANDO AGUA MARMITA FG(08)	WATER PAN CONTROL FG(08)	1	1	1		
10	S225042000	TUBO ENCENDIDO COMP. MG-900	COMPLETE IGNITION PIPE MG-900	1	1	1		
10	S265012000	TUBO ENCENDIDO COMP. MG-900	COMPLETE IGNITION PIPE MG-900	1	1	1		
10	12043851	TUBO ENCENDIDO COMP. MG-900	COMPLETE IGNITION PIPE MG-900	1	1	1		
S/Nº	12043814	AMARRE PILOTO MARMITAS	PANS. TIE PILOT	1	1	1		

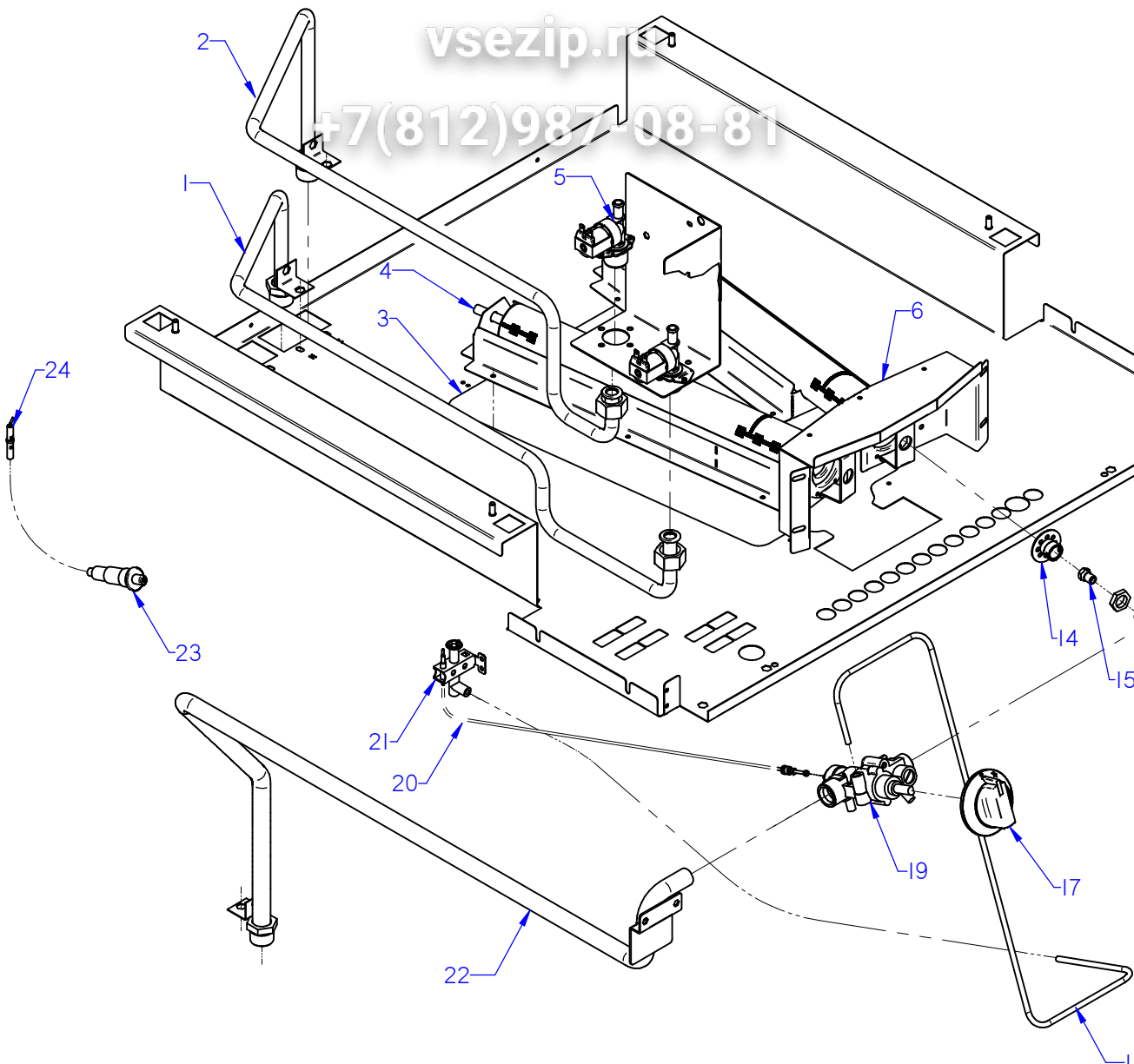
MOD.	MARMITAS GAMA 900/ PAN 900 RANGE	ZONA	CONJUNTO FUNCIONAL / FUNCTIONAL UNIT
------	----------------------------------	------	--------------------------------------

ITEM	CODIGO	DENOMINACION	TEXTO	MPG9-10 S	MPG9-15 S	MPG9-20 S		
11	S112804000	EMBELLECEDOR TUBO	PIPE TRIM	1	1	1		
12	S565015000	CONDUCCION CONEXION GRIFO	TAP CONNECTION PIPE	1	1	1		
	Q306024000	JUNTA 18X12.5X1.5	SEAL 18x12.5x1.5	3	3	3		
13	S105004000	CONDUCCION A QUEMADOR G910	PIPING TO BURNER G910	1	-	-		
13	S035038000	CONDUCCION A QUEMADOR G915	PIPING TO BURNER G915	-	1	-		
13	S045033000	CONDUCCION A QUEMADOR G920	PIPING TO BURNER G920	-	-	1		
	S312105000	TUERCA FIJAC.COND.QUEMADOR	BURNER PIPE FASTENING NUT	1	1	1		
	S312106000	BICONO Ø16	BICONE Ø16	1	1	1		
14	X505013000	REGULADOR DE AIRE POLIDORO	POLIDORO AIR CONTROL	2	2	-		
	Q012021000	TORNILLO EXAGONAL M4x10 A304	HEXAGONAL BOLT M4x10 A304	2	2	-		
15	9105100000	TOBERA Ø 1.50 BUT-PROPANO	NOZZLE Ø1.50 BUT-PROPANE	2	-	-		
15	U134401000	TOBERA Ø 2,20 GAS NATURAL	NOZZLE Ø2.20 GAS NATURAL	2	-	-		
15	N502401000	TOBERA Ø 1.70 BUT-PROPANO	NOZZLE Ø1.70 BUT-PROPANE	-	2	2		
15	S222401000	TOBERA Ø 2,55 GAS NATURAL	NOZZLE Ø2.55 GAS NATURAL	-	2	2		
16	X505724000	MANGUITO PORTATOBERAS	NOZZLE HOLDER SLEEVE	2	2	2		
	Q223019000	TUERCA 3/8 GAS LATÓN	NUT 3/8 GAS BRASS	2	2	2		
17	S102103000	BOTON DE MANDO MARMITA	PAN CONTROL BUTTON	1	1	1		
18	S105027000	TUBO PILOTO MG9-10	PILOT PIPE MG9-10	1	-	-		
18	12044802	SUPERIOR TUBO PILOTO MG9-10	PILOT PIPE MG9-10 UPPER	1	-	-		
18	12044799	INFER. PILOTO COMPL MG9-10 BM	PILOT PIPE MG9-10 BM LOWER	1	-	-		
18	S035037000	TUBO PILOTO MG9-15	PILOT PIPE MG9-15	-	1	-		
18	12044800	SUPERIOR TUBO PILOTO MG9-15	PILOT PIPE MG9-15 UPPER	-	1	-		
18	12044799	INFER. PILOTO COMPL MG9-10 BM	PILOT PIPE MG9-10 BM LOWER	-	1	-		
18	S045035000	TUBO PILOTO MG9-20	PILOT PIPE MG9-20	-	-	1		
18	12043854	SUPERIOR TUBO PILOTO MG9-20	PILOT PIPE MG9-20 UPPER	-	-	1		
18	12044860	INFER. PILOTO COMPL MG9-20	PILOT PIPE MG9-20 LOWER	-	-	1		
	X205028000	BICONO Ø 6	BICONE Ø 6	1	1	1		
	S312107000	MANGUITO TUBO PILOTO	PILOT PIPE HOSE	1	1	1		
	U134323000	RACORD BICONO Ø 6 958.031	BICONE CONNECTION Ø 6 958.031	2	2	2		
19	S312101000	GRIFO SC. PEL-23S.V Ø1,40	TAP SC. PEL-23S.V Ø1,40	1	1	1		
19	S312115000	GRIFO SC. PEL-23S.V Ø 2,2	TAP SC. PEL-23S.V Ø 2,2	1	1	1		

Зип Общепит

vsezip.ru

+7(812)987-08-81



ITEM MARCADO EN COLORES = REPUESTO RECOMENDADO
COLOURED ITEM = RECOMMENDED SPARE PART

Nº plano	C-22256a
Firma	<i>(Signature)</i>
Fecha	2009-03
Aparato	МАРМИТА МРГ9-10S / 15S / 20S
CONJUNTO FUNCIONAL	
Lamina	3
Order	Fagor Industrial S.Coop. FAGOR

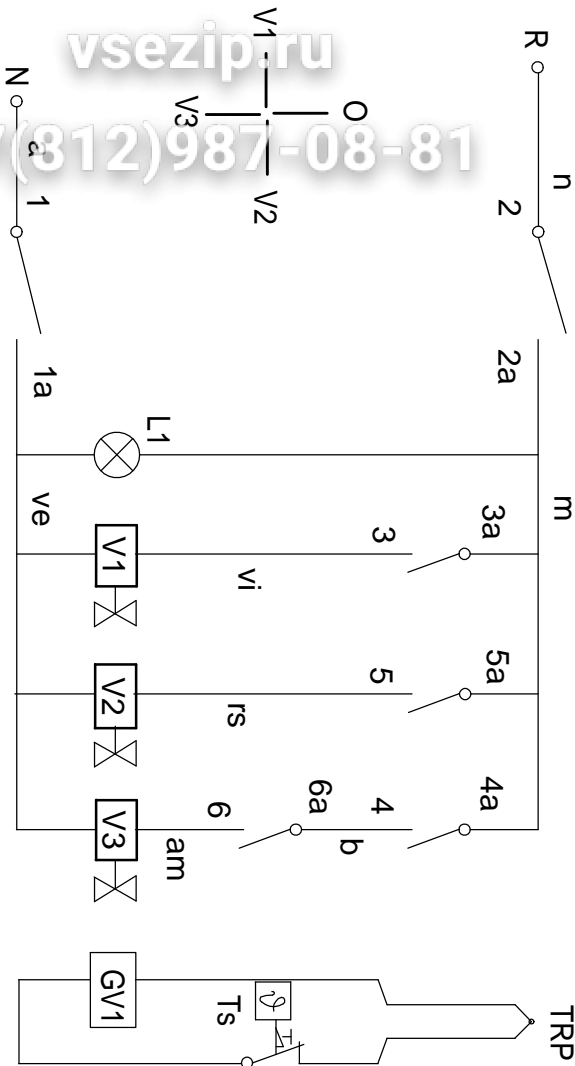
MOD.	MARMITAS GAMA 900 / PAN 900 RANGE	ZONA vsezip.ru	REPUESTOS RECOMENDADOS RECOMMENDED SPARE PART
-------------	--	--------------------------	--

ITEM	CODIGO	DENOMINACION	TEXTO	MPG9-10	MPG9-10 S	MPG9-15	MPG9-15 S	MPG9-20
4	S202101000	VALVULA DE PRESION	PRESSURE VALVE	1	1	1	1	1
8	S136108000	RESORTE TAPA 07004	SPRING COVER 07199	1	1	1	1	1
14	S102125000	GRIFO VACIADO 2"	DRAINAGE TAP 2"	1	1	1	1	1
1	12044878	QUEMADOR DE POLIDORO	POLIDORO BURNER	2		2		2
S/Nº	12043764	PORTATOVERAS QUEMADOR MAR.	BURNER NOZZLE HOLDER	2		2		2
4	Z701135000	ELECTROVALVULA SIMP. 220V	SIMPLE SOLENOID VALVE 220V	2		2		2
6	R693004000	CONMUTADOR DE FUNCIONES	FUNCTIONS SWITCH	1		1		1
7	12024669	PILOTO AMBAR Ø18	AMBER PILOT Ø18	1		1		1
14	S312115000	GRIFO SC. PEL-23S.V Ø 2,2	TAP SC. PEL-23S.V Ø 2,2	1		1		1
17	12043897	PIEZO ELECTRICO COMPLETO	COMPL. PIEZOELECTRIC	1		1		1
S/Nº	12043907	ANILLO ADAPTADOR PIEZOELECTR.	PIEZOELECTRIC ADAPTER RING	1		1		1
20	X022131000	BUJIA	SPARK PLUG	1		1		1
21	U562130000	TERMOPAR L=850	THERMOCOUPLE L=850	1		1		1
22	U322118000	PILOTO COMPLETO BP 100.062	COMPL. PILOT BP 100.062	1		1		1
	U442137000	INYECTOR Ø 0,4 (GAS NATURAL)	NOZZLE Ø 0.4 (GAS NATURAL)	1		1		1
4	12044878	QUEMADOR DE POLIDORO	POLIDORO BURNER		2		2	
5	Z701135000	ELECTROVALVULA SIMP. 220V	SIMPLE SOLENOID VALVE 220V		2		2	
7	R693004000	CONMUTADOR DE FUNCIONES	FUNCTIONS SWITCH		1		1	
8	12024669	PILOTO AMBAR Ø18	AMBER PILOT Ø18		1		1	
19	S312115000	GRIFO SC. PEL-23S.V Ø 2,2	TAP SC. PEL-23S.V Ø 2,2		1		1	
20	U562130000	TERMOPAR L=850	THERMOCOUPLE L=850		1		1	
21	U322118000	PILOTO COMPLETO BP 100.062	COMPL. PILOT BP 100.062		1		1	
	U442137000	INYECTOR Ø 0,4 (GAS NATURAL)	NOZZLE Ø 0.4 (GAS NATURAL)		1		1	
23	12043897	PIEZO ELECTRICO COMPLETO	COMPL. PIEZOELECTRIC		1		1	
S/Nº	12043907	ANILLO ADAPTADOR PIEZOELECTR.	PIEZOELECTRIC ADAPTER RING		1		1	
24	X022131000	BUJIA	SPARK PLUG		1		1	

Зип Общепит

vsezip.ru

7(812)987-08-81




- m=marroñ-brown-marroñ
- n=negro-black-noir
- r=rojo-red-rouge
- b=blanco-white-blanc
- ve=verde-green-vert
- g=gris-grey-gris
- a=azul-blue-bleu

- IG = Interruptor general
- L1 = Lampara funcionamiento
- V1 = Valvula Agua Caliente
- V2 = Valvula Agua Fria
- V3 = Valvula Agua Camara
- TS = Limitador (245)
- GV1 = Valvula gas (SEGURIDAD)
- TRP = Termopar

IG	1	2	3	4	5	6
0	1a	2a	3a	4a-5a	6a	
V2	X	X			X	X
V3	X	X		X		X
V1	X	X	X	X		

S563002000

-	Esquema de montaje MARM G-750Q		-	-	S563002000	-
Zk./Nº	Pieza		Cant.	Materiala/Material	Klas. zk./Nº Clas.	Gainazal akabera/Tratamiento
Zk./Nº	Aldaketa/Modificaciones			Nork proposatua/Propuesta de	Data/Fecha	Perdoi orokorrak Tolerancias generales
-	-			-	-	< 5 ± 0.2
-	-			-	-	50 ÷ 100 ± 0.8
-	-			-	-	5 ÷ 25 ± 0.4
-	-			-	-	>100 ± 1
-	-			-	-	25 ÷ 50 ± 0.6
-	-			-	-	α ± 1
Marrastua/Dibujado	Sinadura/Firma	Data/Fecha	 Fagor Industrial, Koop. Elk, Mugatua			Gainazal perdoia Mecanizado superficial
Proiektatua/Proyectado	J. Etxeberria	5-6-2007				-
Egiaztatua/Comprobado	I. Alberdi	20-6-2007				-
Eskala/Escala	MARMITAK					Plano Zk./Plano Nº HB-74388
-	Plano hau ezin daiteke erabili, ez berrizatu, gure baimenik gabe.					- Zk. ord. du
-						- Zk.gaitik ord.