

Зип Общепит

vsezip.ru

DESPIECE TECNICO

+7(812)987-08-81

Barbacoa a gas
Gas charcoal grills
Charcoal á gaz
Gas lavastein grills
Griglie pietra lavica a gas
Grelhadores de pedra lavica

GAMA SNACK

Modelos:

BG6-05 I

Febrero 2010 February

Revisado Mayo 2013 May Revised

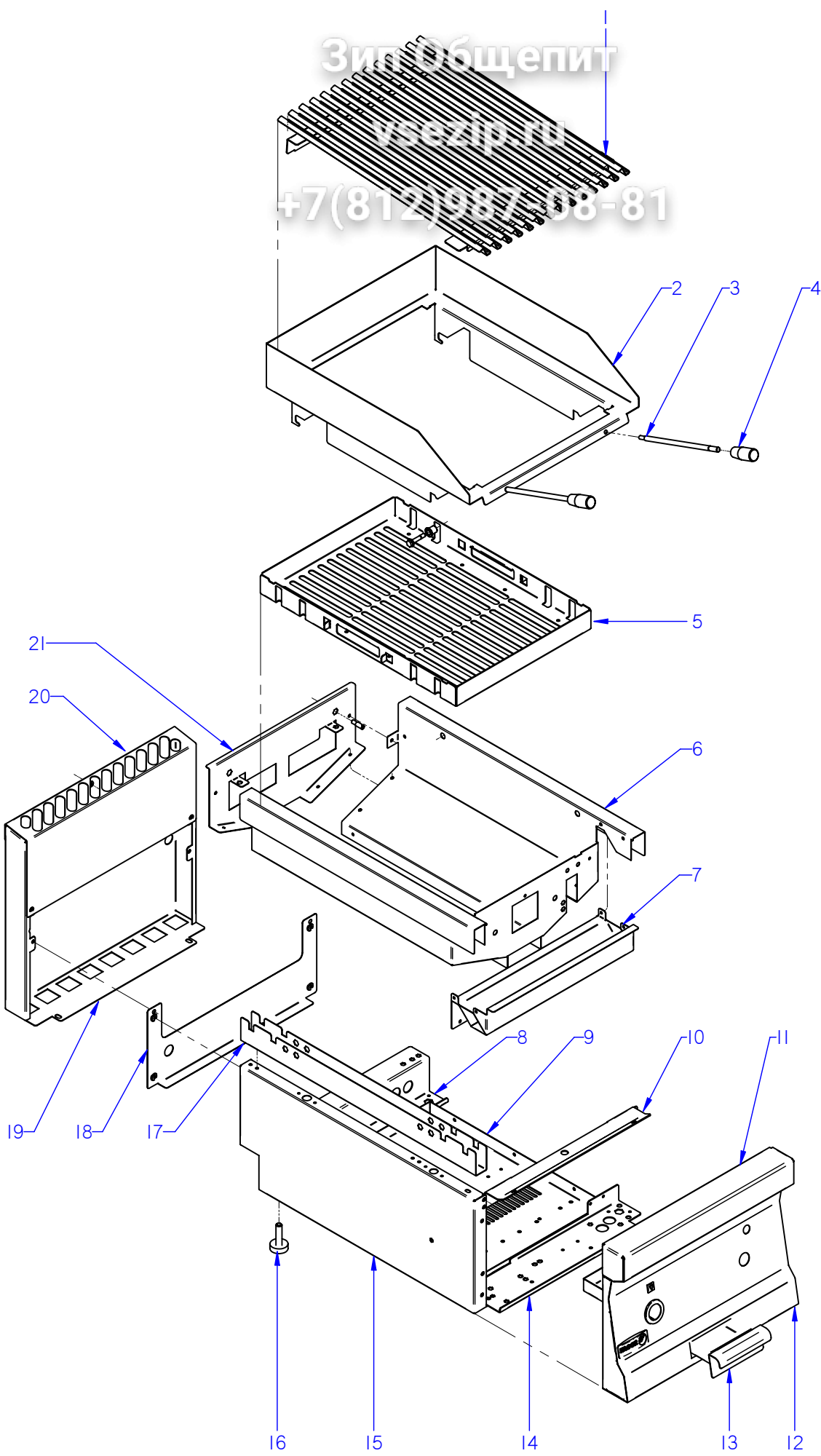
FAGOR 

FAGOR INDUSTRIAL

Зип Общепит

vsezip.ru

+7(812)987-08-81



ITEM MARCADO EN COLOR = REPUESTO RECOMENDADO
COLOURED ITEM = RECOMMENDED SPARE PART

N plano	Firma	Fecha	Aparato	MUEBLE	Lamina	Fagor Industrial S.Coop. FAGOR
C-2524	<i>(Signature)</i>	2010-02	BARBACOA	BG6-05 I	1	Oñate

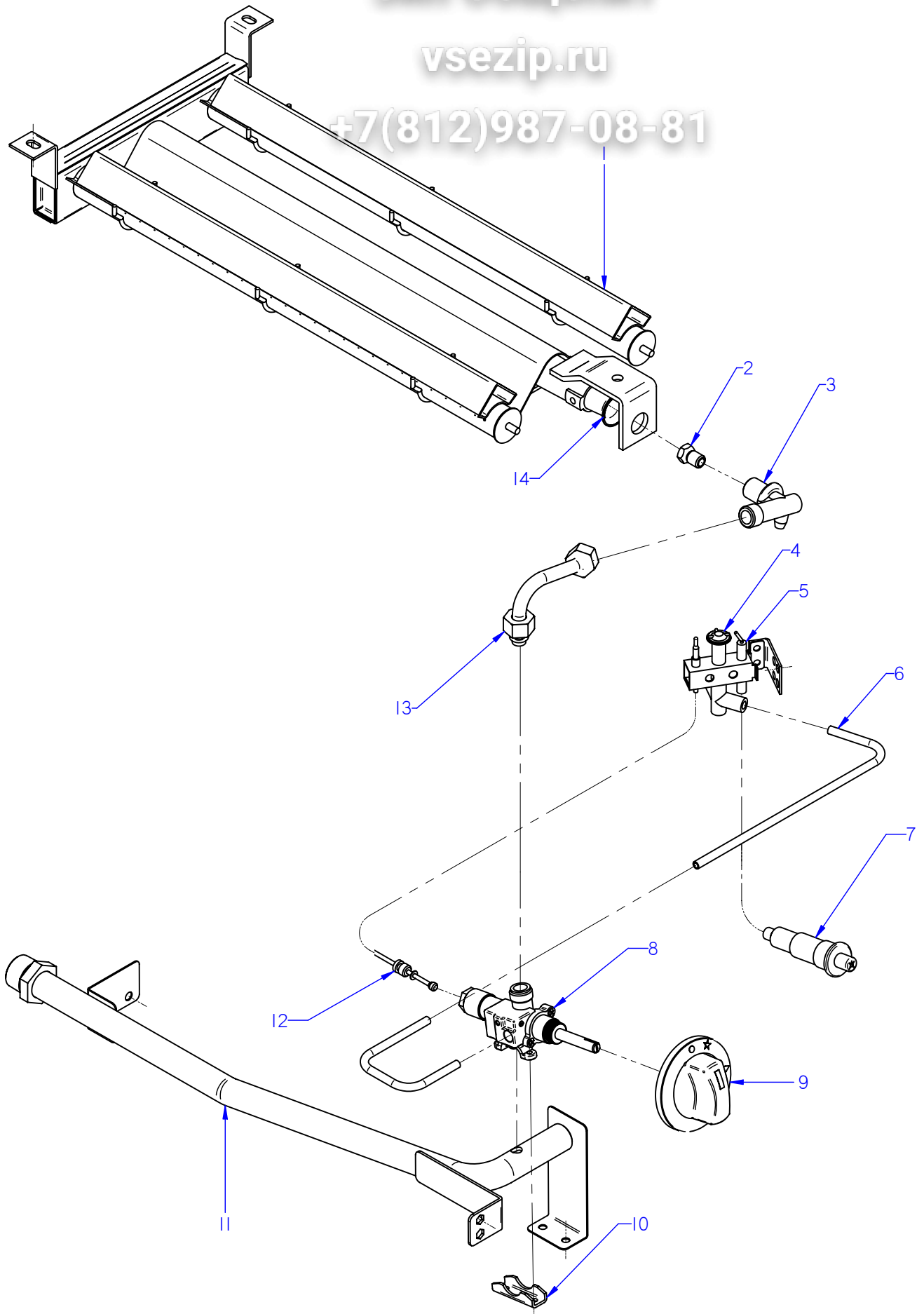
MOD.		BARBACOA		ZONA		MUEBLE / UNIT			
ITEM	CODIGO	DENOMINACION	TEXTO	BG6-05 I					
1	J225406000	PARRILLA DE INOXIDABLE G600	CAST IRON GRILLE G600	1					
2	J225407000	SOPORTE PARRILLA BARBACOA	GRILLE SUPPORT UNIT	1					
	Q151336000	TORNILLO SOPORTE GUIAS	GUIDE SUPPORT BOLT	4					
3	H125417000	ASA BARBACOA 750 Q	BARBECUE HANDLE 750 Q	2					
	Q162040000	TUERCA EXAGONAL M6	HEXAGONAL NUT M6	4					
4	T065460000	EMPUÑADURA	HANDLE	2					
5	J222601000	REJILLA INOX. COMPLETA G.600	COMPLETE INOX. GRILLE G.600	1					
6	J222603000	CAJA INTERIOR COMPLETA	COMPLETE INTERIOR BOX	1					
	Q412002000	REMACHE AVINOX Ø4X10MM	RIVET AVINOX Ø4x10MM	10					
	Q221343000	REMACHE EXAGONAL M6	HEXAGONAL RIVET M6	4					
	H125418000	TORNILLO SIST. ELEVACION	ELEVATION SYST. BOLT	4					
	N100322000	COJINETE AUTOLUBRICADO	SELF LUBRICATED BEARING	4					
	Q412002000	REMACHE AVINOX Ø4X10MM	RIVET AVINOX Ø4x10MM	8					
7	J225401000	ANTERIOR INTERIOR MESA	FRONT INTERIOR BENCH	1					
	Q221343000	REMACHE EXAGONAL M6	HEXAGONAL RIVET M6	2					
	Q419005000	REMACHE 4X8 ALMG3 / ALUMINIO	RIVET 4X8 ALMG3 / ALUMINIUM	6					
	Q412002000	REMACHE AVINOX Ø4X10MM	RIVET AVINOX Ø4x10MM	3					
8	J002601000	SOPORTE POSTERIOR	BACK SUPPORT	1					
	Q221342000	REMACHE EXAGONAL M5	HEXAGONAL RIVET M5	6					
	Q221345000	REMACHE EXAGONAL M10	HEXAGONAL RIVET M10	2					
	Q419005000	REMACHE 4X8 ALMG3 / ALUMINIO	RIVET 4X8 ALMG3 / ALUMINIUM	4					
9	J102611000	BASE INFERIOR FTG6-05	LOWER BASE FTG6-05	1					
	Q419005000	REMACHE 4X8 ALMG3 / ALUMINIO	RIVET 4X8 ALMG3 / ALUMINIUM	6					
	Q221342000	REMACHE EXAGONAL M5	HEXAGONAL RIVET M5	2					
10	J102616000	GUÍA PANEL PORTAMANDOS	GUIDE PANEL OF CONTROLS	1					
	Q221342000	REMACHE EXAGONAL M5	HEXAGONAL RIVET M5	4					
	Q012031000	TORNILLO EXAGONAL M5x10 A304	HEXAGONAL BOLT M5x10 A304	4					
11	J105432000	ANTERIOR FRY-TOP 400	FRONT FRY-TOP 400	1					

MOD.	BARBACOA	ZONA	MUEBLE / UNIT				
ITEM	CODIGO	DENOMINACION	TEXTO	BG6-05 I			
12	J222802000	PORTAMANDOS COMPL. BG6-05	CONTROL HOLDER BG6-05	1			
	U022836000	ESCUDO FAGOR	FAGOR EMBLEM	1			
	Q221023000	CLIP SUJECIÓN RÁPIDA Ø5	RAPID CONNECT CLIP Ø5	2			
	Q419005000	REMACHE 4x8 ALMG3 / ALUMINIO	RIVET 4X8 ALMG3 / ALUMINIUM	6			
	Q012031000	TORNILLO EXAGONAL M5x10 A304	HEXAGONAL BOLT M5x10 A304	2			
	Q302022000	ARANDELA 16x6x1,2 A304	WASHER 16x6x1.2 A304	2			
	Q221343000	REMACHE EXAGONAL M6	HEXAGONAL RIVET M6	2			
13	J222805000	RECOGEGRASAS COMPL. BG6-05	GREASE COLLECTION BG6-05	1			
14	J142601000	SOPORTE FRONTAL FG6-05	FRONT SUPPORT FG6-05	1			
	Q221342000	REMACHE EXAGONAL M5	HEXAGONAL RIVET M5	1			
	Q221345000	REMACHE EXAGONAL M10	HEXAGONAL RIVET M10	2			
	Q419005000	REMACHE 4X8 ALMG3 / ALUMINIO	RIVET 4X8 ALMG3 / ALUMINIUM	4			
15	J222811000	PANEL LATERAL IZDO. BG6-05	LEFT SIDE PANEL BG6-05	1			
S/Nº	J222812000	PANEL LATERAL DCHO. BG6-05	RIGHT SIDE PANEL BG6-05	1			
	Q221342000	REMACHE EXAGONAL M5	HEXAGONAL RIVET M5	2			
16	Z200107000	PATA REGULABLE	ADJUSTABLE LEG	4			
17	J222602000	SOPORTE ENCIMERA BG6-05	TOP SUPPORT FG6-05	2			
	Q419005000	REMACHE 4X8 ALMG3 / ALUMINIO	RIVET 4X8 ALMG3 / ALUMINIUM	6			
18	J112803000	PANEL POSTERIOR FRY-TOP 400	REAR PANEL FRY-TOP 400	1			
	Q419005000	REMACHE 4x8 ALMG3 / ALUMINIO	RIVET 4X8 ALMG3 / ALUMINIUM	4			
19	J142809000	PROTECC. CHIMENEA POST. 400	PROTECTION CHIMEMEY POS.	1			
19	J222810000	PROTECC. CHIMENEA POST. 400	PROTECTION CHIMEMEY POS.	1			
	Q012031000	TORNILLO EXAGONAL M5x10 A304	HEXAGONAL BOLT M5x10 A304	4			
20	J142810000	PROTECCION CHIMENEA ANT. 400	PROTECTION CHIMENEY ANT	1			
20	J142829000	PROTECCION CHIMENEA FREID.	PROTECTION CHIMENEY	1			
20	J222809000	PROTECCION CHIMENEA ANT. 400	PROTECTION CHIMENEY	1			
	Q419005000	REMACHE 4X8 ALMG3 / ALUMINIO	RIVET 4X8 ALMG3 / ALUMINIUM	4			
21	J222604000	POSTER. INTERIOR MESA BG6-05	REAR INTERIOR BENCH BG6-05	1			
	Q221342000	REMACHE EXAGONAL M5	HEXAGONAL RIVET M5	2			
	Q221343000	REMACHE EXAGONAL M6	HEXAGONAL RIVET M6	2			
	Q412002000	REMACHE AVINOX Ø4X10MM	RIVET AVINOX Ø4x10MM	2			

Зип Общепит

vsezip.ru

+7(812)987-08-81



ITEM MARCADO EN COLOR = REPUESTO RECOMENDADO
COLOURED ITEM = RECOMMENDED SPARE PART

N plano	Firma	Fecha	Aparato	CONJUNTO FUNCIONAL	Lamina	Fagor Industrial S.Coop. FAGOR
C-2525	<i>(Signature)</i>	2010-02	BARBACOA	BG6-05 I	2	Oñate

MOD.		BARBACOA		ZONA	CONJUNTO FUNCIONAL / FUNCTIONAL UN			
ITEM	CODIGO	DENOMINACION	TEXTO	BG6-05 I				
1	T035702000	QUEMADOR BG6-05	COMPLETE BURNER BG6-05	1				
	Q012031000	TORNILLO EXAGONAL M5X10 A.304	HEXAGONAL BOLT M5X10 A.304	2				
	Q302022000	ARANDELA 16X6X1.2 A.304	WASHER 16X6X1.2 A.304	2				
2	U052402000	TOBERA DE Ø 1,30 B.P.	NOZZLE Ø 1,30 B.P.	1				
2	U912401000	TOBERA DE Ø 1,95 G.N.	NOZZLE Ø 1,85 G.N.	1				
3	U915014000	PORTATOBERAS HORNO	NOZZLE	1				
	Q223019000	TUERCA 3/8 GAS LATÓN	NUT 3/8 GAS BRASS	1				
	Q301323000	ARANDELA Ø25X17X6	WASHER Ø25X17X6	1				
4	R20210000	PILOTO COMPLETO	COMPLETE PILOT LIGHT	1				
	Q012031000	TORNILLO EXAGONAL M5X10 A.304	HEXAGONAL BOLT M5X10 A.304	2				
	U442137000	INYECTOR Ø 0.4 GN	INJECTOR Ø 0.4 GN.	1				
5	X022131000	BUJIA	SPARK PLUG	1				
S/Nº	R613030000	CABLE BUJIA	SPARK PLUG CABLE	1				
S/Nº	U333003000	CABLE MASA ENCENDEDOR	LIGHTER EARTH CABLE	1				
6	J225006000	TUBO PILOTO BG SNACK	PILOT PIPE BG SNACK	1				
S/Nº	U134323000	RACORD BICONO 6 958.031	BICONE CONNECTION 6 958.031	2				
7	S113034000	PIEZOELECTRICO	PIEZOELECTRIC	1				
7	12043897	PIEZOELECTRICO COMPLETO	COMPLETE PIEZOELECTRIC	1				
S/Nº	12043907	ANILLO ADAPTADOR	ADAPTER RING	1				
8	H122103000	GRIFO 18700 BY-PASS 1,1	TAP 18700 BY-PASS 1,1	1				
9	H122101000	BOTON DE MANDO Ø 8 G700	CONTROL BUTTON Ø 8 G700	1				
10	U912104000	BRIDA AMARRE GRIFO 1/2"	TAP FASTENING FLANGE 1/2"	1				
	Q122032000	TORNILLO ALLEN M.5x15	ALLEN HEAD SCREW M.5x15					
11	J225004000	CONDUCCION GENERAL BG620	GENERAL PIPING BG620	1				
	Q012031000	TORNILLO EXAGONAL M5X10 A.304	HEXAGONAL BOLT M5X10 A.304	4				
	Q302022000	ARANDELA Ø16X6X1.2 A.304	WASHER 16X6X1.2 A.304	4				
12	U222130000	TERMOPAR L=600	THERMOCOUPLE L=600	1				
13	J225008000	CONduc. BURNER BG SNACK	BURNER PIPE BG SNACK	1				
14	U325707000	REGULADOR DE AIRE	AIR REGULATOR	1				
	Q012032000	TORNILLO EXAGONAL M5X15 A.304	HEXAGONAL BOLT M5X15 A.304	1				

MOD.		BARBACOA		ZONA	CONJUNTO FUNCIONAL / FUNCTIONAL UN			
ITEM	CODIGO	DENOMINACION	TEXTO	BG6-05 I				
1	T035702000	QUEMADOR BG6-05	COMPLETE BURNER BG6-05	1				
	Q012031000	TORNILLO EXAGONAL M5X10 A.304	HEXAGONAL BOLT M5X10 A.304	2				
	Q302022000	ARANDELA 16X6X1.2 A.304	WASHER 16X6X1.2 A.304	2				
2	U052402000	TOBERA DE Ø 1,30 B.P.	NOZZLE Ø 1,30 B.P.	1				
2	U912401000	TOBERA DE Ø 1,95 G.N.	NOZZLE Ø 1,85 G.N.	1				
3	U915014000	PORTATOBERAS HORNO	NOZZLE	1				
	Q223019000	TUERCA 3/8 GAS LATÓN	NUT 3/8 GAS BRASS	1				
	Q301323000	ARANDELA Ø25X17X6	WASHER Ø25X17X6	1				
4	R20210000	PILOTO COMPLETO	COMPLETE PILOT LIGHT	1				
	Q012031000	TORNILLO EXAGONAL M5X10 A.304	HEXAGONAL BOLT M5X10 A.304	2				
	U442137000	INYECTOR Ø 0.4 GN	INJECTOR Ø 0.4 GN.	1				
5	X022131000	BUJIA	SPARK PLUG	1				
S/Nº	R613030000	CABLE BUJIA	SPARK PLUG CABLE	1				
S/Nº	U333003000	CABLE MASA ENCENDEDOR	LIGHTER EARTH CABLE	1				
6	J225006000	TUBO PILOTO BG SNACK	PILOT PIPE BG SNACK	1				
S/Nº	U134323000	RACORD BICONO 6 958.031	BICONE CONNECTION 6 958.031	2				
7	S113034000	PIEZOELECTRICO	PIEZOELECTRIC	1				
8	H122103000	GRIFO 18700 BY-PASS 1,1	TAP 18700 BY-PASS 1,1	1				
9	H122101000	BOTON DE MANDO Ø 8 G700	CONTROL BUTTON Ø 8 G700	1				
10	U912104000	BRIDA AMARRE GRIFO 1/2"	TAP FASTENING FLANGE 1/2"	1				
	Q122032000	TORNILLO ALLEN M.5x15	ALLEN HEAD SCREW M.5x15					
11	J225004000	CONDUCCION GENERAL BG620	GENERAL PIPING BG620	1				
	Q012031000	TORNILLO EXAGONAL M5X10 A.304	HEXAGONAL BOLT M5X10 A.304	4				
	Q302022000	ARANDELA Ø16X6X1.2 A.304	WASHER 16X6X1.2 A.304	4				
12	U222130000	TERMOPAR L=600	THERMOCOUPLE L=600	1				
13	J225008000	CONduc. BURNER BG SNACK	BURNER PIPE BG SNACK	1				
14	U325707000	REGULADOR DE AIRE	AIR REGULATOR	1				
	Q012032000	TORNILLO EXAGONAL M5X15 A.304	HEXAGONAL BOLT M5X15 A.304	1				

Зип Общепит

MOD.	BARBACOA		ZONA	VARIOS / MISCELLANEOUS			
	vsezip.ru						
	+7(812)987-08-81						
ITEM	CODIGO	DENOMINACION	TEXTO	BG6-05 I			
	J226501000	FOLLETO INSTRUCC. BG SNACK	INSTRUC. LEAFLET BG SNACK	1			
	T056502000	CARBON VOLCANICO (BOLSA)	VOLCANIC ROCK CHARCOAL	1			

MOD.

BARBACOA

ZONA

vsezip.ru

REPUESTOS RECOMENDADOS
RECOMMENDED SPARE PART

+7(812)987-08-81

ITEM	CODIGO	DENOMINACION	TEXTO	BG6-051					
4	R20210000	PILOTO COMPLETO	COMPLETE PILOT LIGHT	1					
	U442137000	INYECTOR Ø 0.4 GN	INJECTOR Ø 0.4 GN.	1					
5	X022131000	BUJIA	SPARK PLUG	1					
S/Nº	R613030000	CABLE BUJIA	SPARK PLUG CABLE	1					
S/Nº	U333003000	CABLE MASA ENCENDEADOR	LIGHTER EARTH CABLE	1					
7	12043897	PIEZOELECTRICO COMPLETO	COMPLETE PIEZOELECTRIC	1					
S/Nº	12043907	ANILLO ADAPTADOR	ADAPTER RING	1					
8	H122103000	GRIFO 18700 BY-PASS 1,1	TAP 18700 BY-PASS 1,1	1					
12	U222130000	TERMOPAR L=600	THERMOCOUPLE L=600	1					