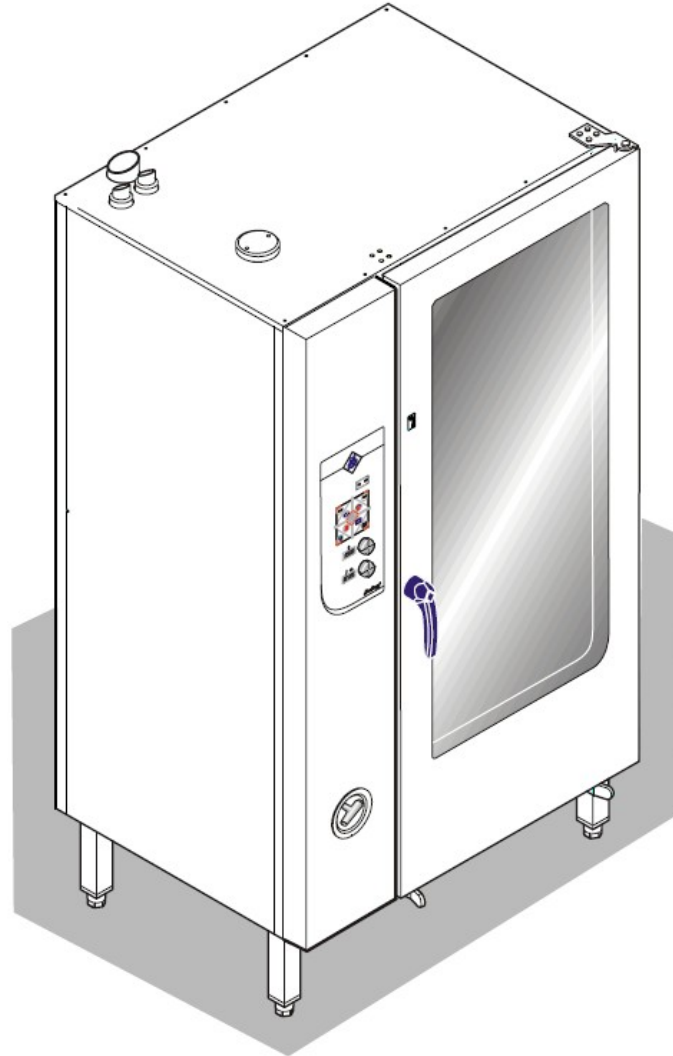


Exploded drawings

Electric and Gas Combisteamer Silver II

European CE-Version



Model	Serial-No. / date	
	From	Up to
Csxxxxx		
HansDampf 6.1	07020766 / June 2007	
HansDampf 6.2 Maxi	07020584 / June 2007	
HansDampf 10.1	07020584 / June 2007	
HansDampf 10.2 Maxi	07020584 / June 2007	
HansDampf 20.1	07020584 / June 2007	
HansDampf 20.2 Maxi	07020584 / June 2007	

2011/10/12 SEV/KA

vsezip.ru

+7(812)987-08-81

Front panel 6.x Silver2 without hand shower.....	5
Front panel 6.x Silver2 with hand shower.....	6
Front panel 10.x Silver2 without hand shower.....	7
Front panel 10.x Silver2 with hand shower.....	8
Electric assembly 3NPE 400V HD6.1 Silver2.....	9
Electric assembly 3NPE 400V HD6.2 Silver2.....	10
Electric assembly 3NPE 400V HD10.1 Silver2.....	11
Electric assembly 3NPE 400V HD10.2 Silver2.....	12
Gas assembly HD6.1 Silver2.....	13
Gas assembly HD6.2 Silver2.....	14
Gas assembly HD10.1 Silver2.....	15
Gas assembly HD10.2 Silver2.....	16
Core temperature probe HD6.x & HD10.x Silver2.....	17
Fresh air assembly 6.x 10.x Silver2.....	18
Supply air area 6.x 10.x (without hand shower) Silver2.....	19
Supply air area 6.x & 10.x (with hand shower) Silver2.....	20
Water assembly with WaveClean 50Hz HD6.x & HD10.x Silver2.....	21
Water assembly with WaveClean 60Hz HD6.x & HD10.x Silver2.....	22
Water assembly without WaveClean HD6.x & HD10.x Silver2.....	23
Chassis 6.x Electric Silver2 Valid until S/N 11209574 (August 2011).....	24
Chassis 6.x Electric Silver2 Valid from S/N 11209575 (August 2011).....	25
Chassis 10.x Electric Silver2 Valid until S/N 11208882 (August 2011).....	26
Chassis 10.x Electric Silver2 Valid from S/N 11208883 (August 2011).....	27
Chassis 6.x Gas Silver2 Valid until S/N 11209861 (August 2011).....	28
Chassis 6.x Gas Silver2 Valid from S/N 11209862 (August 2011).....	29
Chassis 10.x Gas Silver2 Valid until S/N 11210676 (August 2011).....	30
Chassis 10.x Gas Silver2 Valid from S/N 11210677 (August 2011).....	31
Chassis door area HD6.x electric, right hinged (double glazing).....	32
Chassis door area HD6.x electric, right hinged (triple glazing).....	33
Chassis door area HD6.x electric, left hinged (triple glazing).....	34
Chassis door area HD10.x electric, right hinged (double glazing).....	35
Chassis door area HD10.x electric, right hinged (triple glazing).....	36
Chassis door area HD10.x electric, left hinged (triple glazing).....	37
Chassis door area HD6.x gas, right hinged (double glazing).....	38
Chassis door area HD6.x gas, right hinged (triple glazing).....	39
Chassis door area HD6.x gas, left hinged (triple glazing).....	40
Chassis door area HD10.x gas, right hinged (double glazing).....	41
Chassis door area HD10.x gas, right hinged (triple glazing).....	42
Chassis door area HD10.x gas, left hinged (triple glazing).....	43
Front panel 20.x Silver2 without hand shower.....	45
Front panel 20.x Silver2 with hand shower.....	46
Electric assembly 3NPE 400V HD20.1 Silver2.....	47
Electric assembly 3NPE 400V HD20.2 Silver2.....	48
Fresh air assembly 20.x Silver2.....	49
Gas assembly HD20.1 Silver2.....	50
Gas assembly HD20.2 Silver2.....	51
Core temperature probe HD20.x Silver2.....	52
Supply air area 20.x (without hand shower) Silver2.....	53
Supply air area 20.x (with hand shower) Silver2.....	54
Water assembly without WaveClean HD20.x Silver2.....	55
Water assembly with WaveClean 50Hz HD20.x Silver2.....	56
Water assembly with WaveClean 60Hz HD20.x Silver2.....	57
Chassis 20.x Electric Silver2 Valid until S/N 11212249 (October 2011).....	58
Chassis 20.x Electric Silver2 Valid from S/N 11212250 (October 2011).....	59
Chassis 20.x Gas Silver2 Valid until S/N 11212225 (October 2011).....	60
Chassis 20.x Gas Silver2 Valid from S/N 11212226 (October 2011).....	61
Chassis door area HD20.x electric, right hinged (double glazing).....	62
Chassis door area HD20.x, right hand hinged (Electric).....	63
Chassis door area HD20.x, left hand hinged (Electric).....	64
Chassis door area HD20.x gas, right hinged (double glazing).....	65
Chassis door area HD20.x, right hand hinged (Gas).....	66
Chassis door area HD20.x, left hand hinged (Gas).....	67

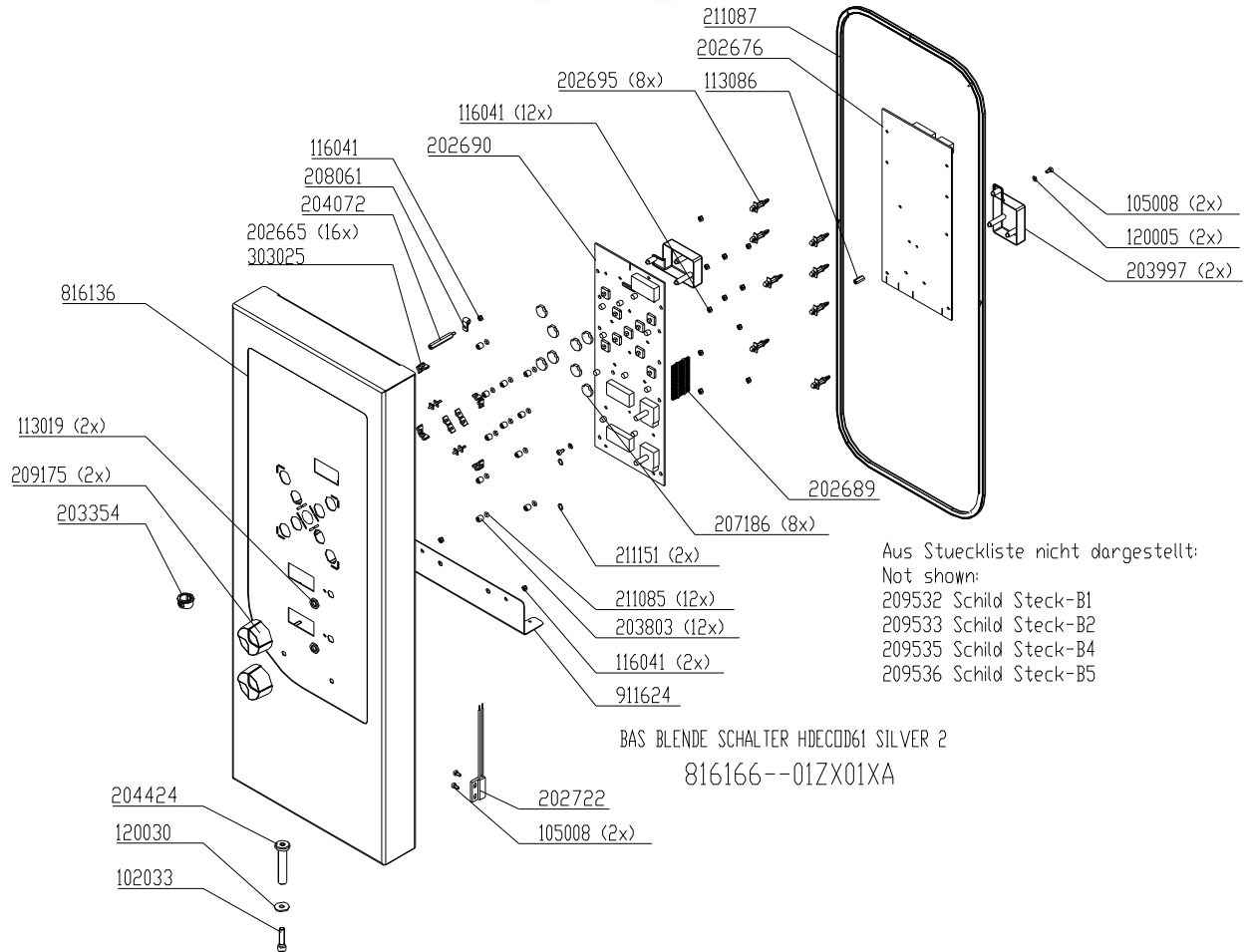
Exploded drawings 6.x & 10.x

Electric & Gas

+7(812)987-08-81

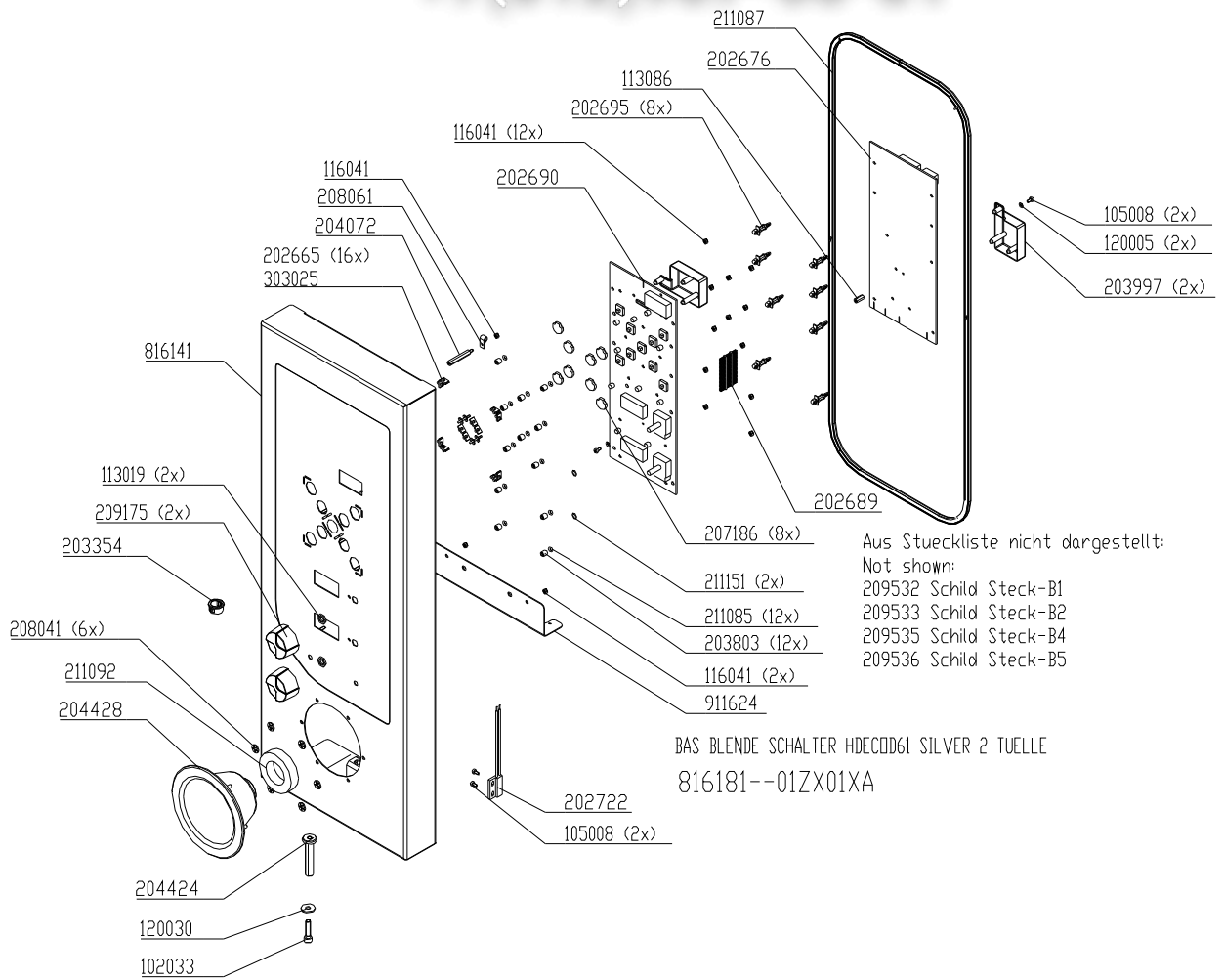
Front panel 6.x Silver2 without hand shower

+7(812)987-08-81



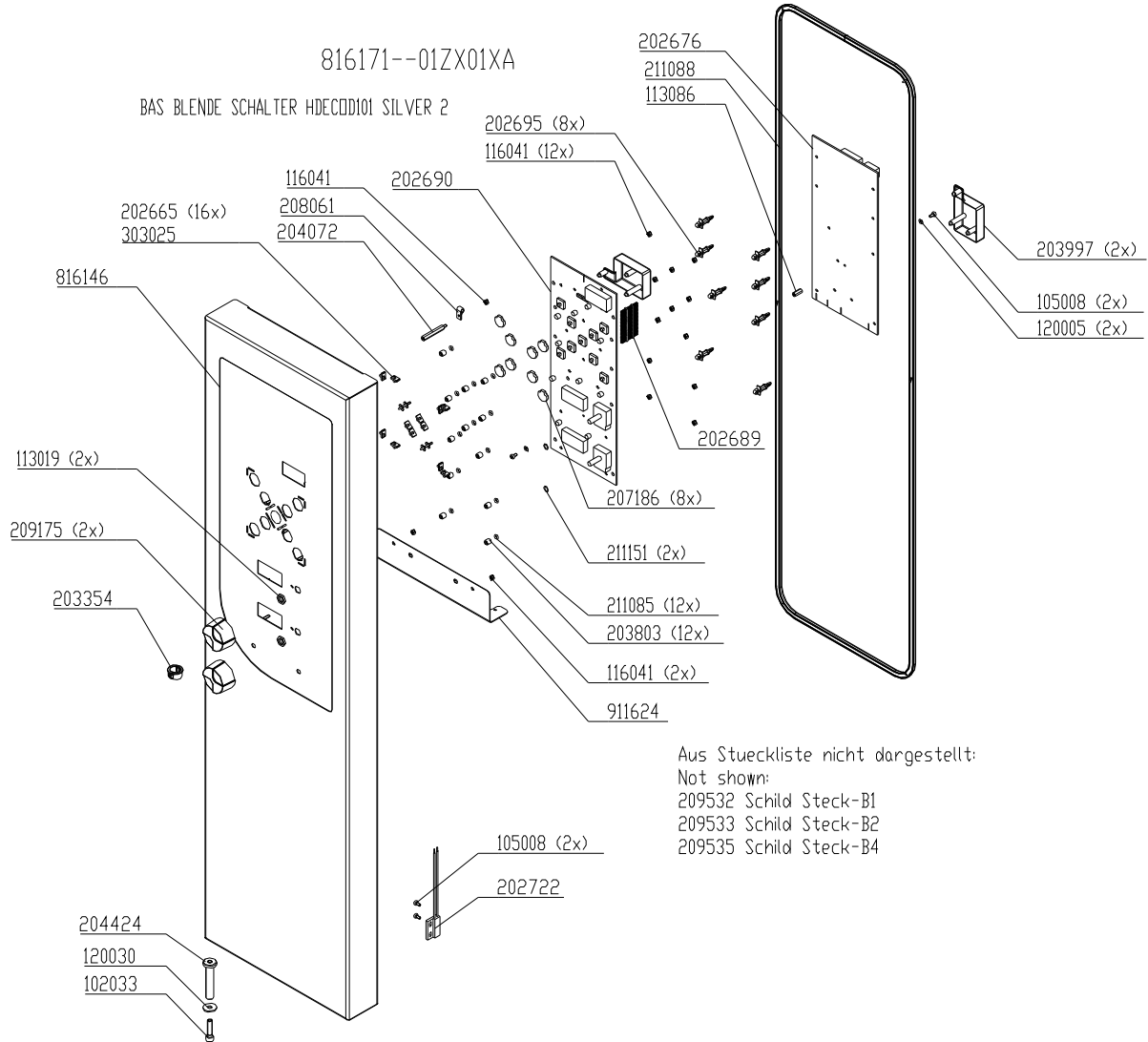
Front panel 6.x Silver2 with hard shower

+7(812)987-08-81



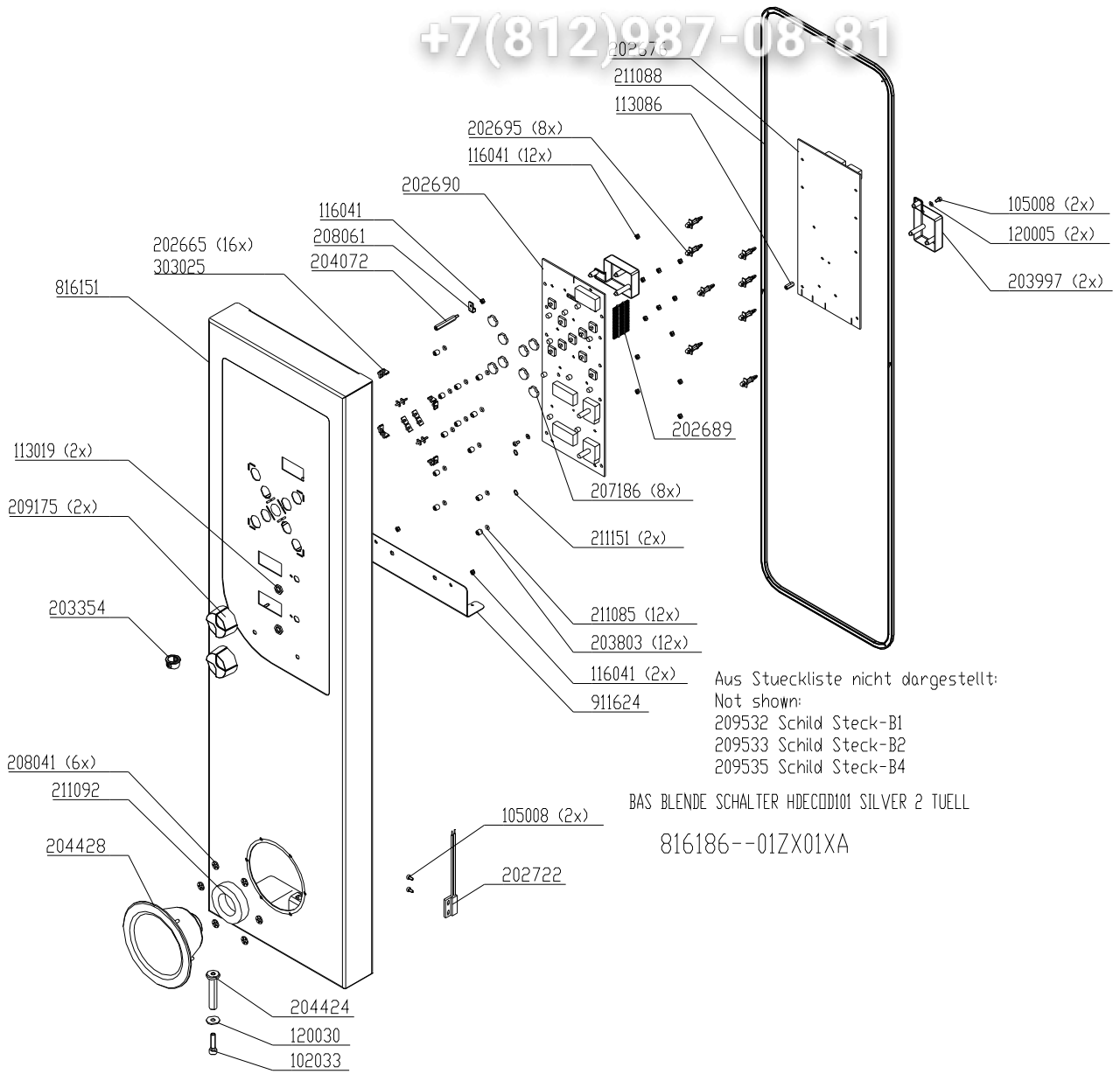
Front panel 10.x Silver 2 without hand shower

+7(812)987-08-81

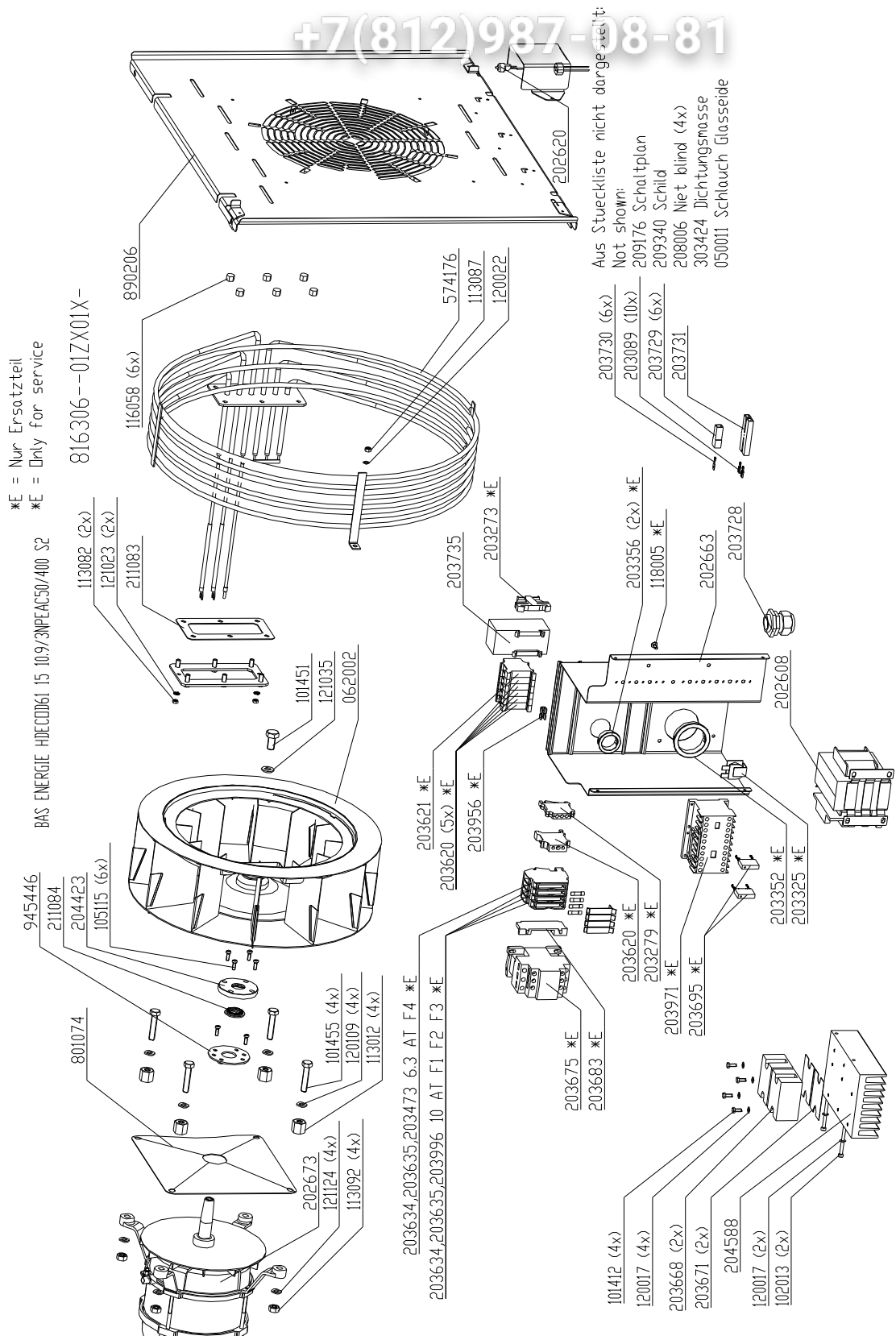


Front panel 10.x Silver2 with hand shower

+7(812)987-08-81



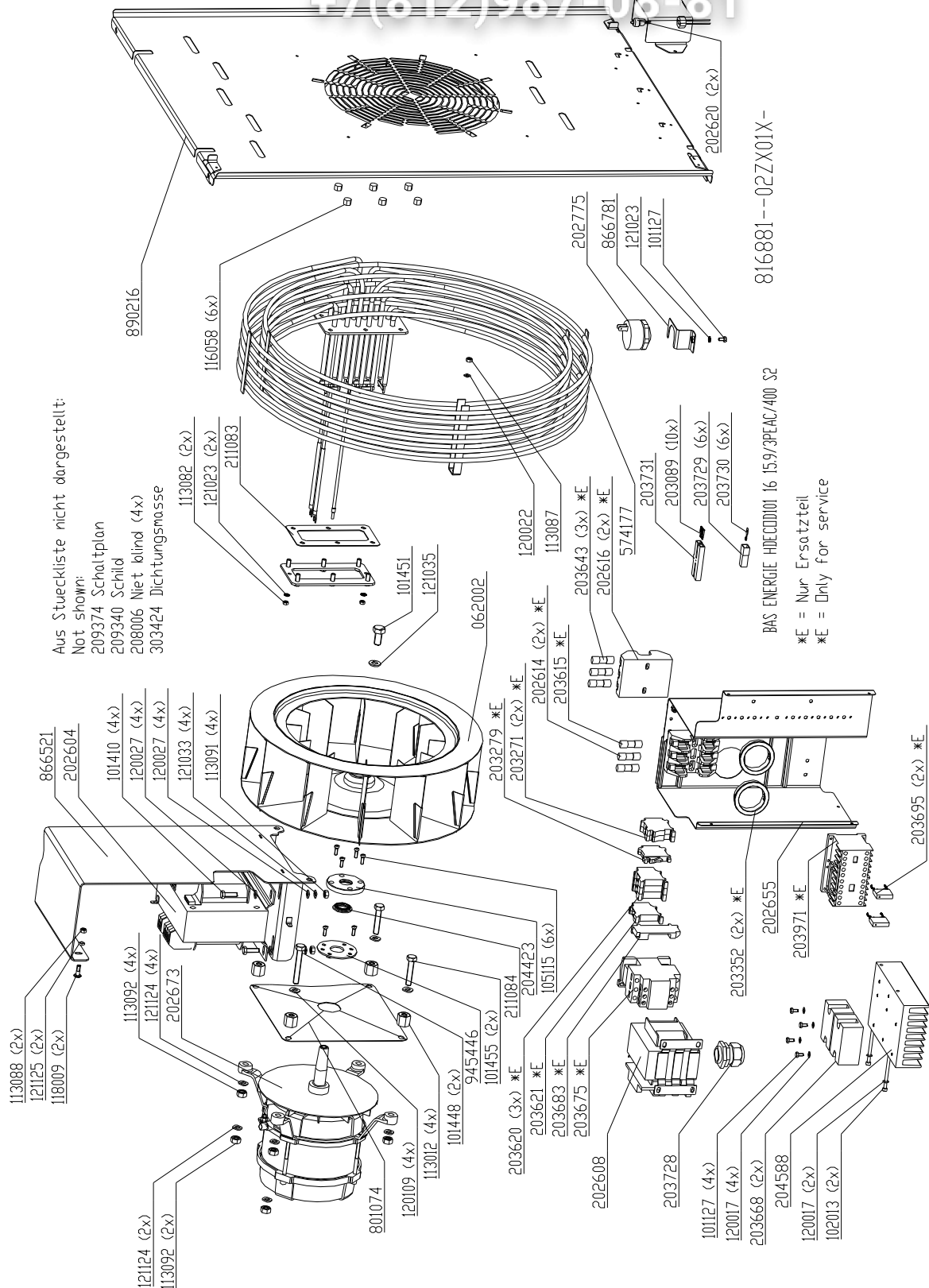
Electric assembly 3NPE400V HD6.1 Silver2



Bis (until) S/N 08022075 (August2008) Transformator (transformer) #203818
 Ab (from) S/N 11209575 (August2011): #945446 → #945661, #204423 → 204681,
 #202620 → #203679

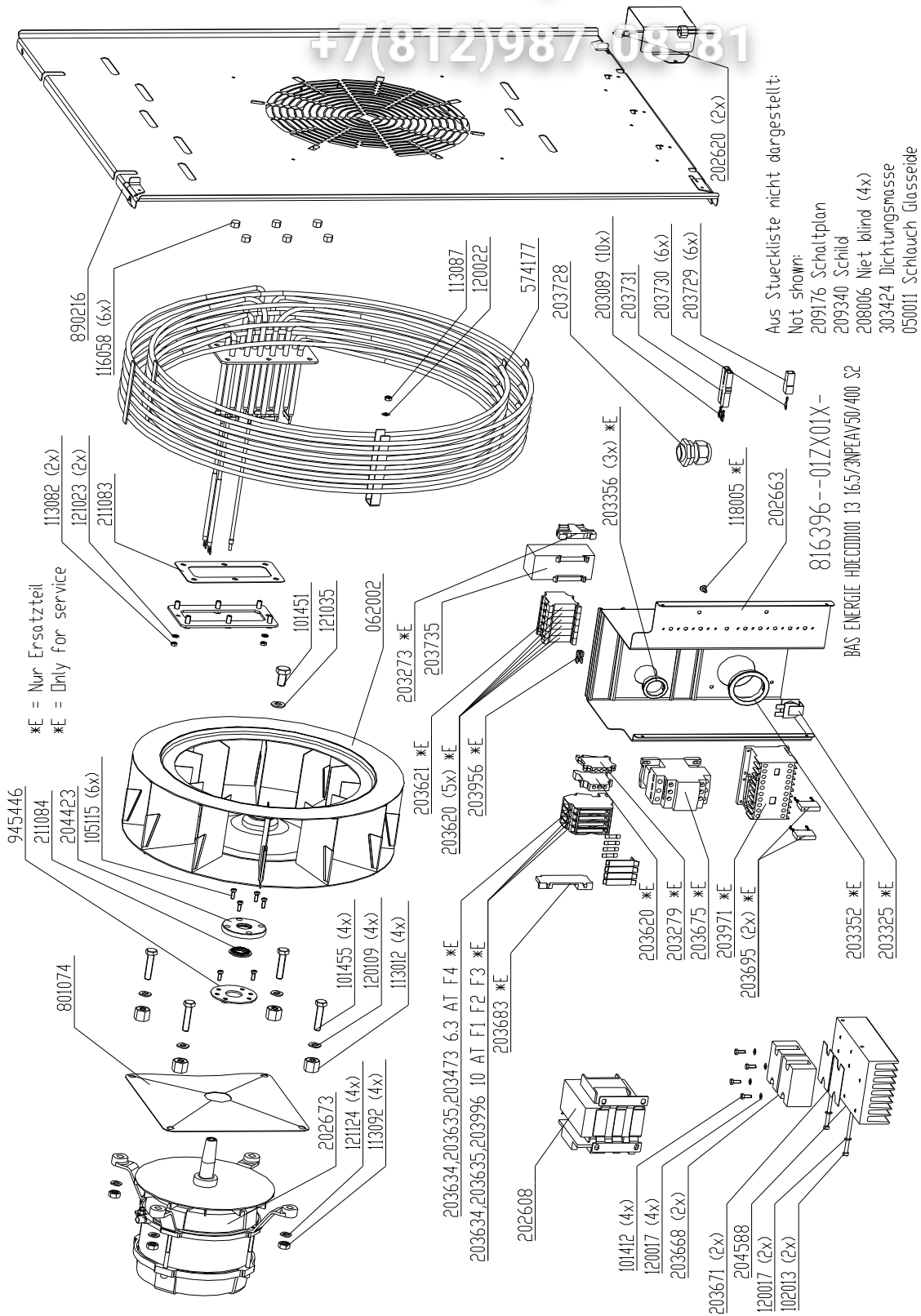
Electric assembly 3NPE400V HD6.2 Silver2

+7(812)987-08-81



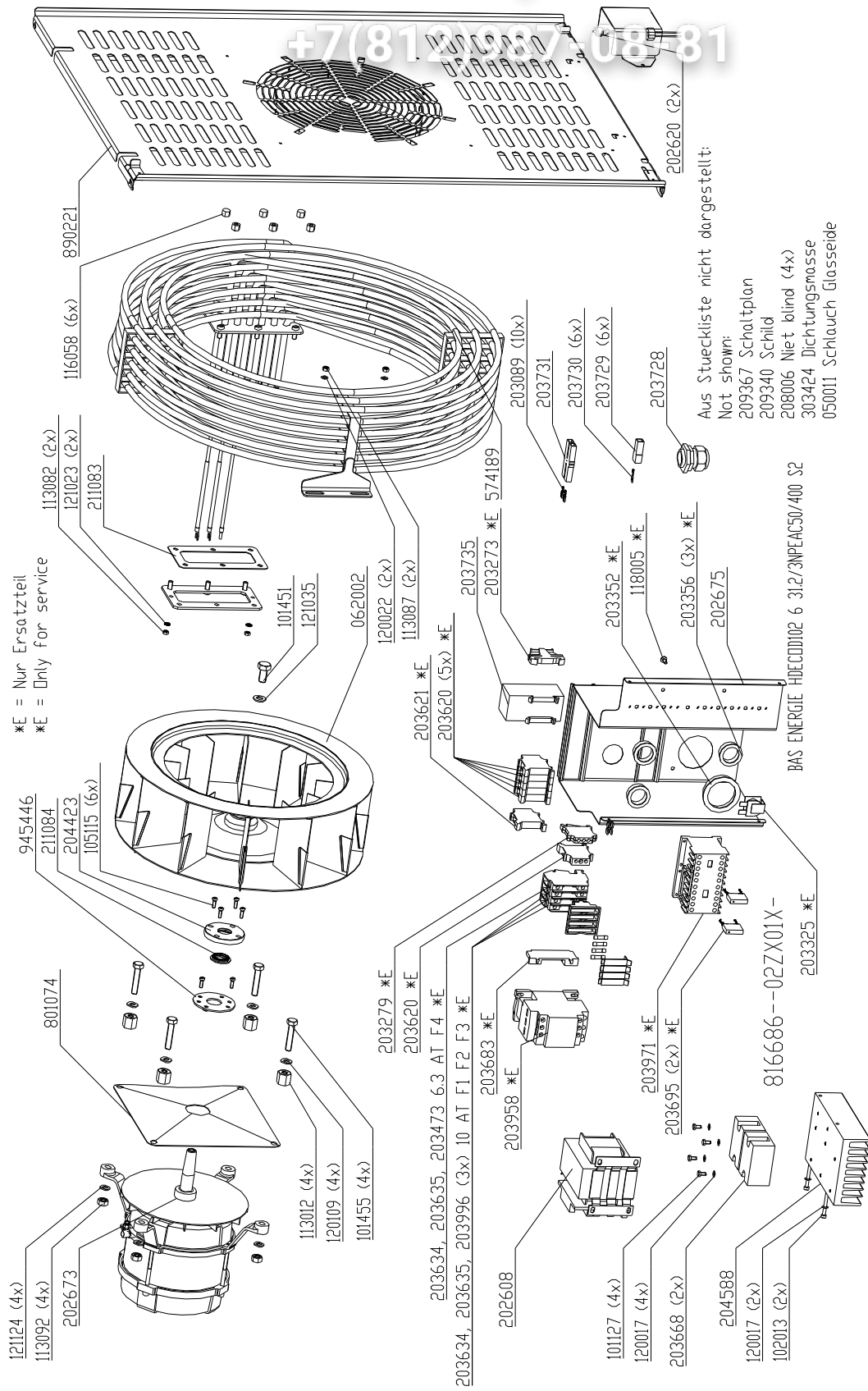
Bis (until) S/N 08022075 (August2008) Transformator (transformer) #203818
 Ab (from) S/N 11209575 (August2011): #945446 → #945661, #204423 → 204681,
 #202620 → #203679

Electric assembly 3NPE400V HD10.1 Silver2



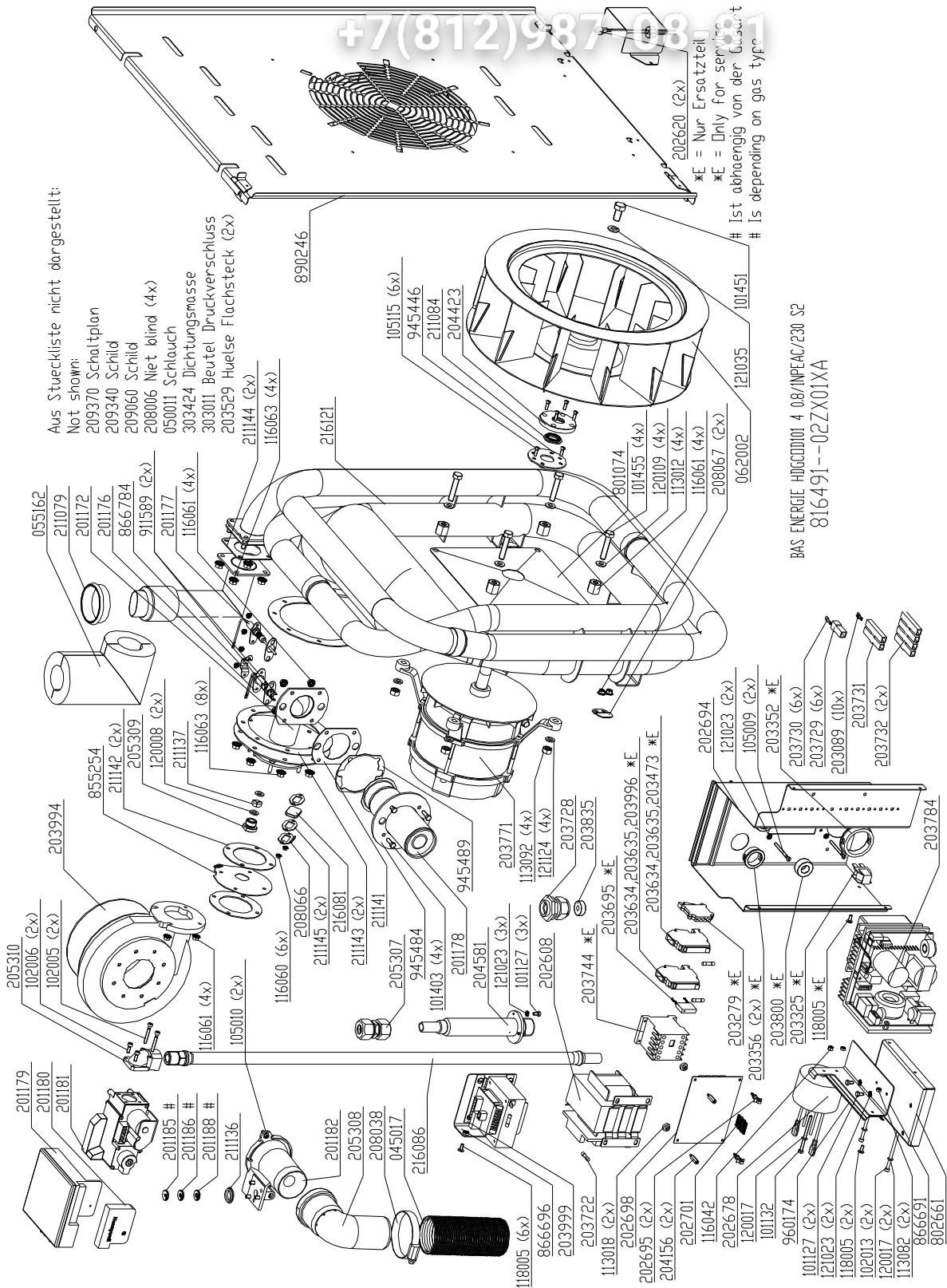
Bis (until) S/N 08022075 (August2008) Transformator (transformer) #203818
 Ab (from) S/N 11208883 (August2011): #945446 → #945661, #204423 → 204681,
 #202620 → #203679

Electric assembly 3NPE400V HD10.2 Silver2



Bis (until) S/N 08022075 (August2008) Transformator (transformer) #203818
 Ab (from) S/N 11208883 (August2011): #945446 → #945661, #204423 → 204681,
 #202620 → #203679

Gas assembly H10p Silver2

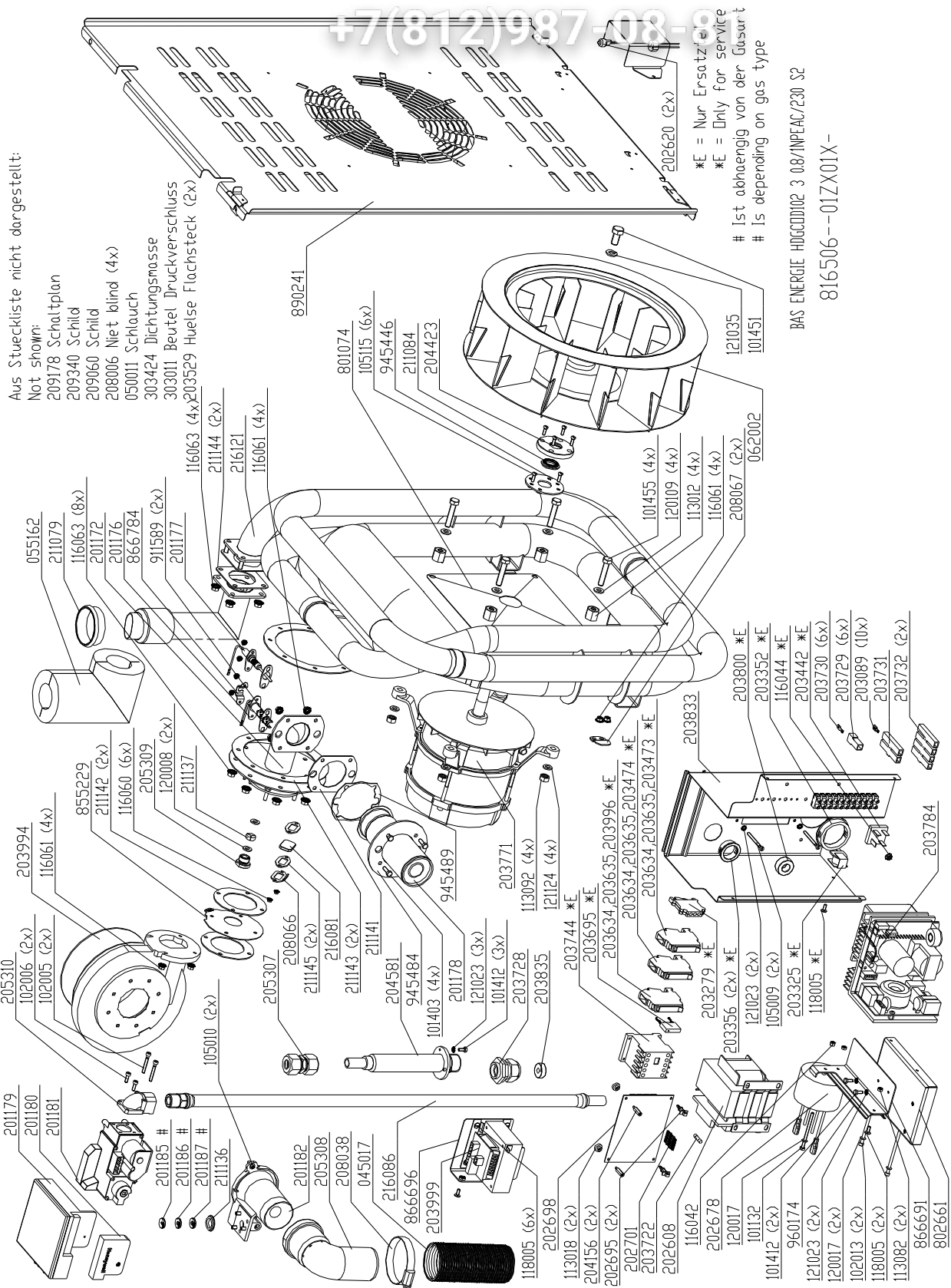


Bis (until) S/N 08022075 (August2008) Transformator (transformer) #203818

Bis (until) S/N 09020157: #216085 ersetzt durch (replaced by) #216121 & # 855254. Es müssen beide Teile ersetzt werden (Both parts must be replaced)!

Ab (from) 11210677 (August2011): #202620 → #203679

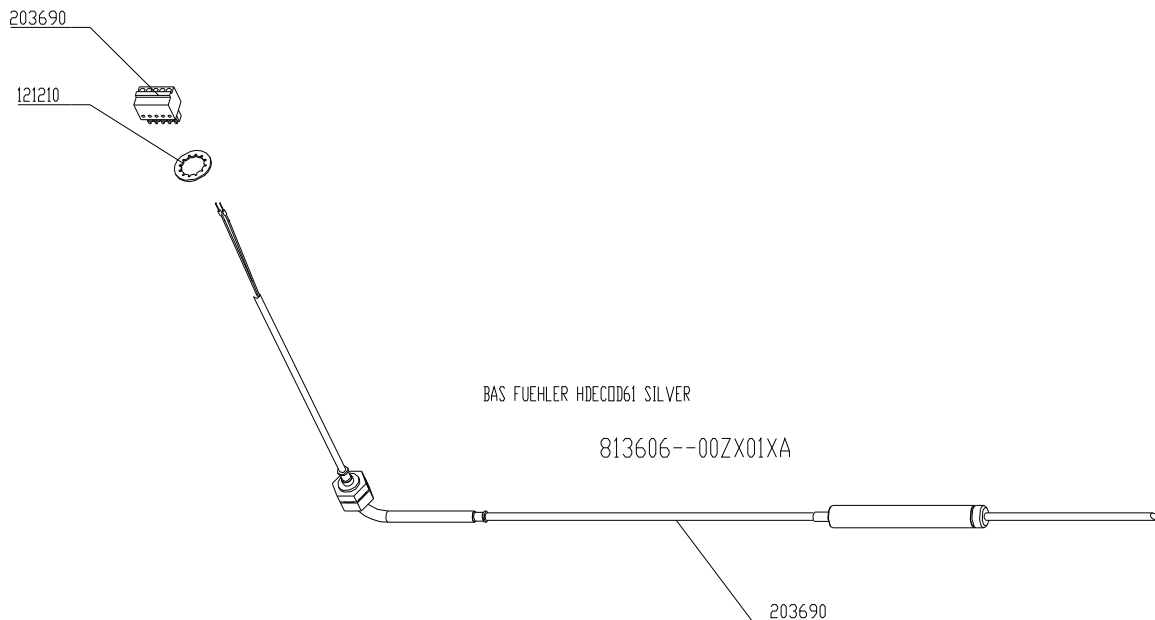
Gas assembly H102 Silver2



Bis (until) S/N 08022075 (August2008) Transformator (transformer) #203818
 Ab (from) 11210677 (August2011): #202620 → #203679

Core temperature probe HD6.x & HD10.x Silver2

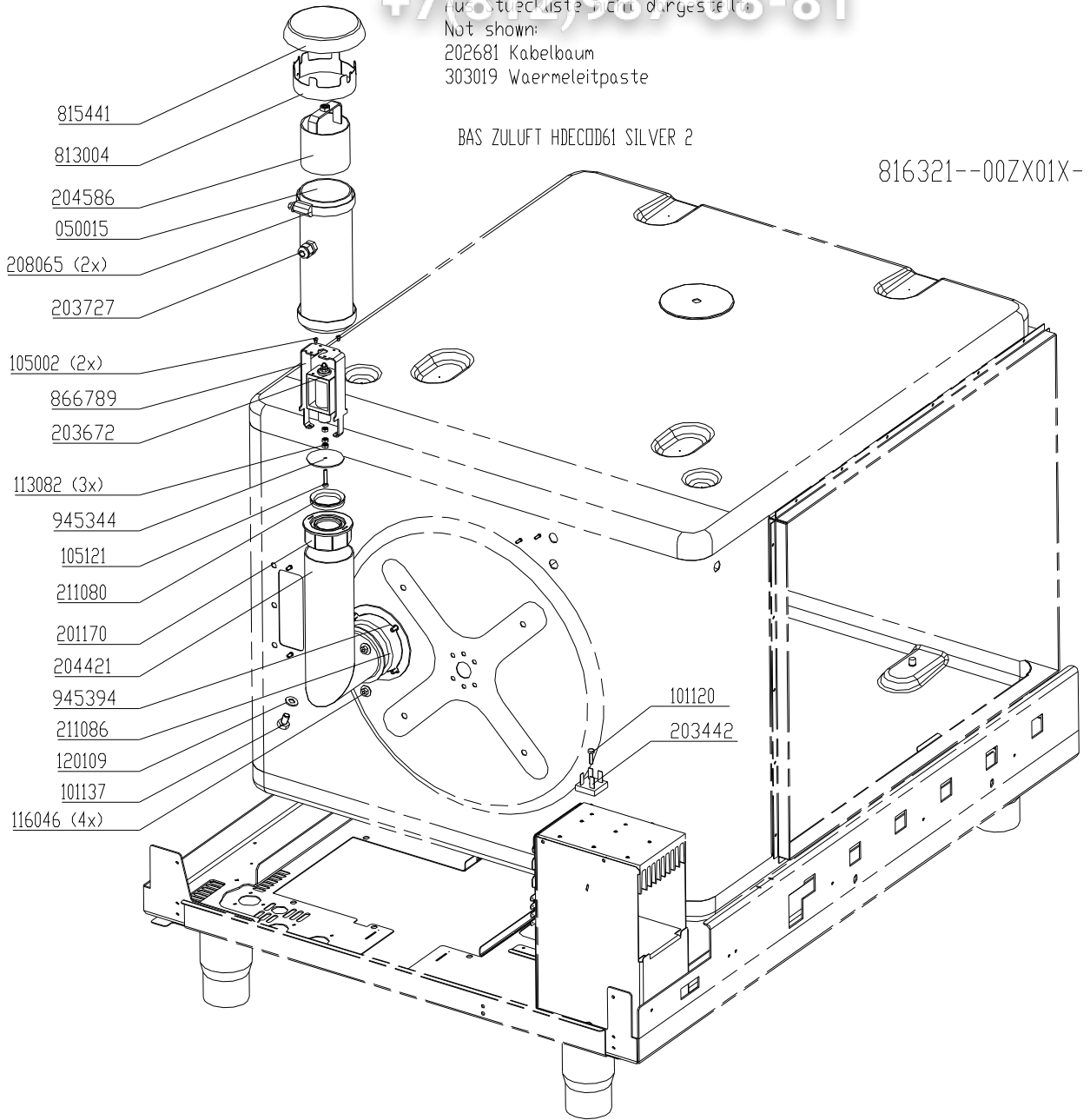
+7(812)987-08-81



Fresh air assembly 5 x 10 x Silver2

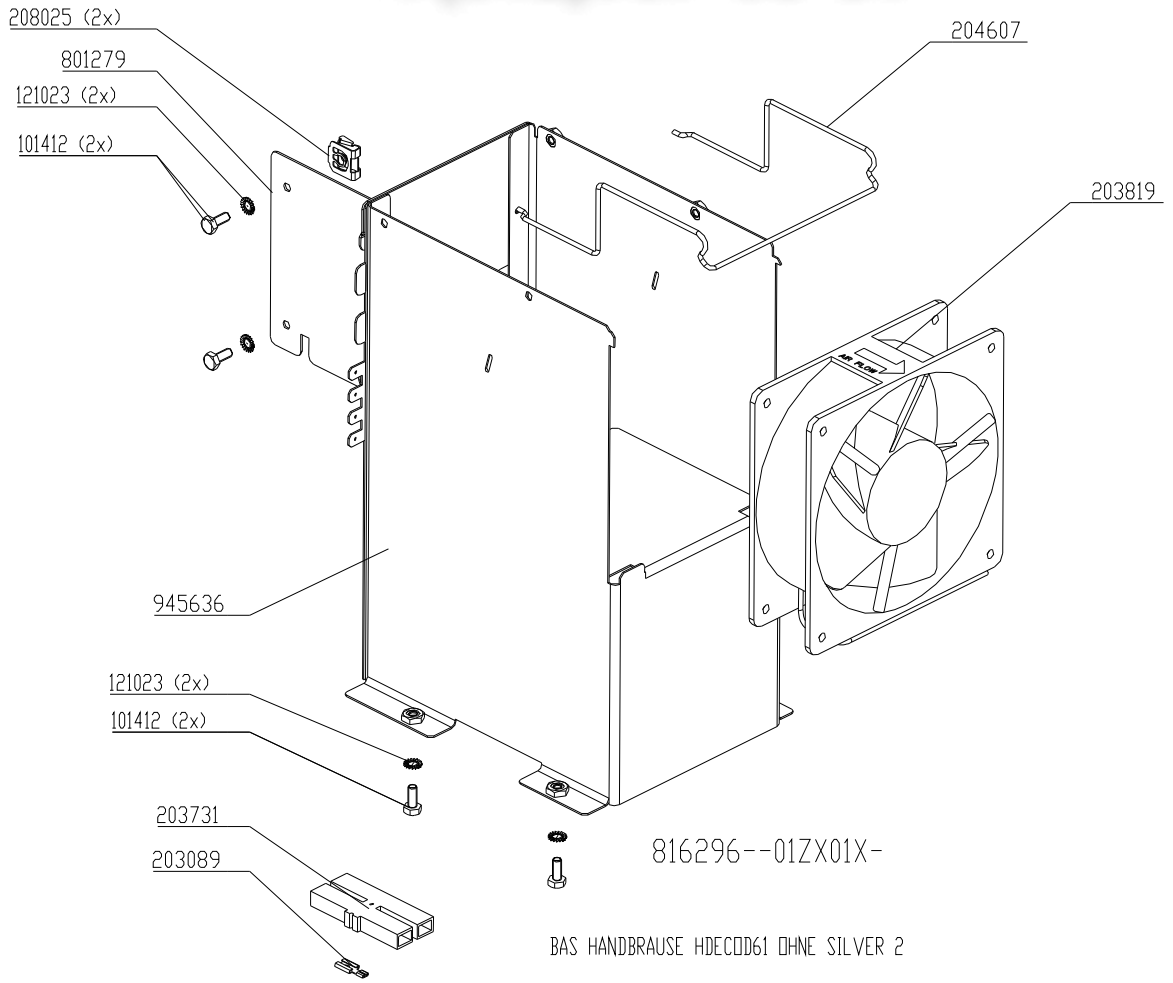
+7(812)987-08-81

aus Stueckliste nicht dargestellt
Not shown:
202681 Kabelbaum
303019 Waermeleitpaste



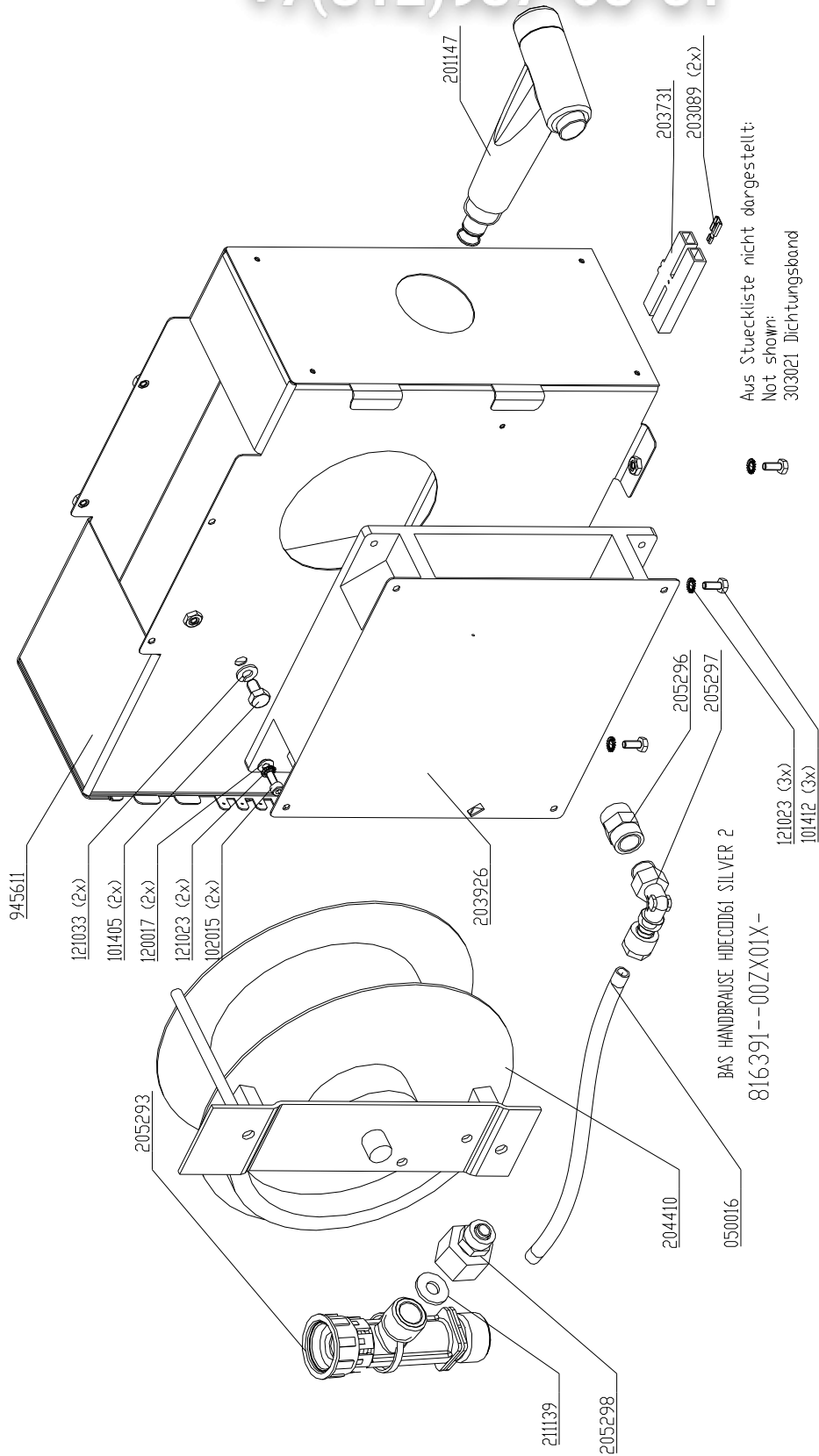
Supply air area 6.x 10.x (with hand shower) Silver2

+7(812)987-08-81

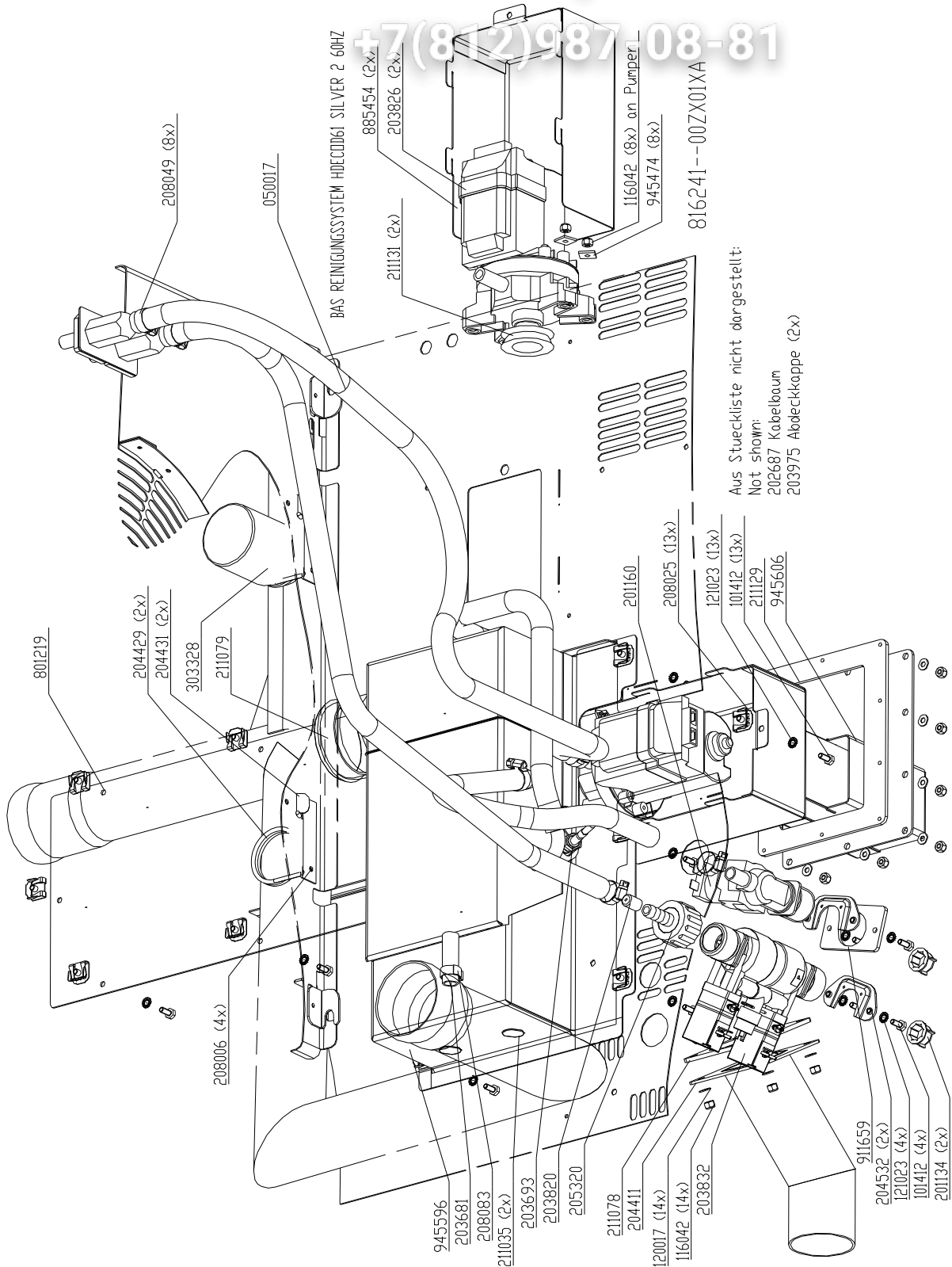


Supply air area 6.x & 10.x (with hand shower) Silver2

+7(812)987-08-81

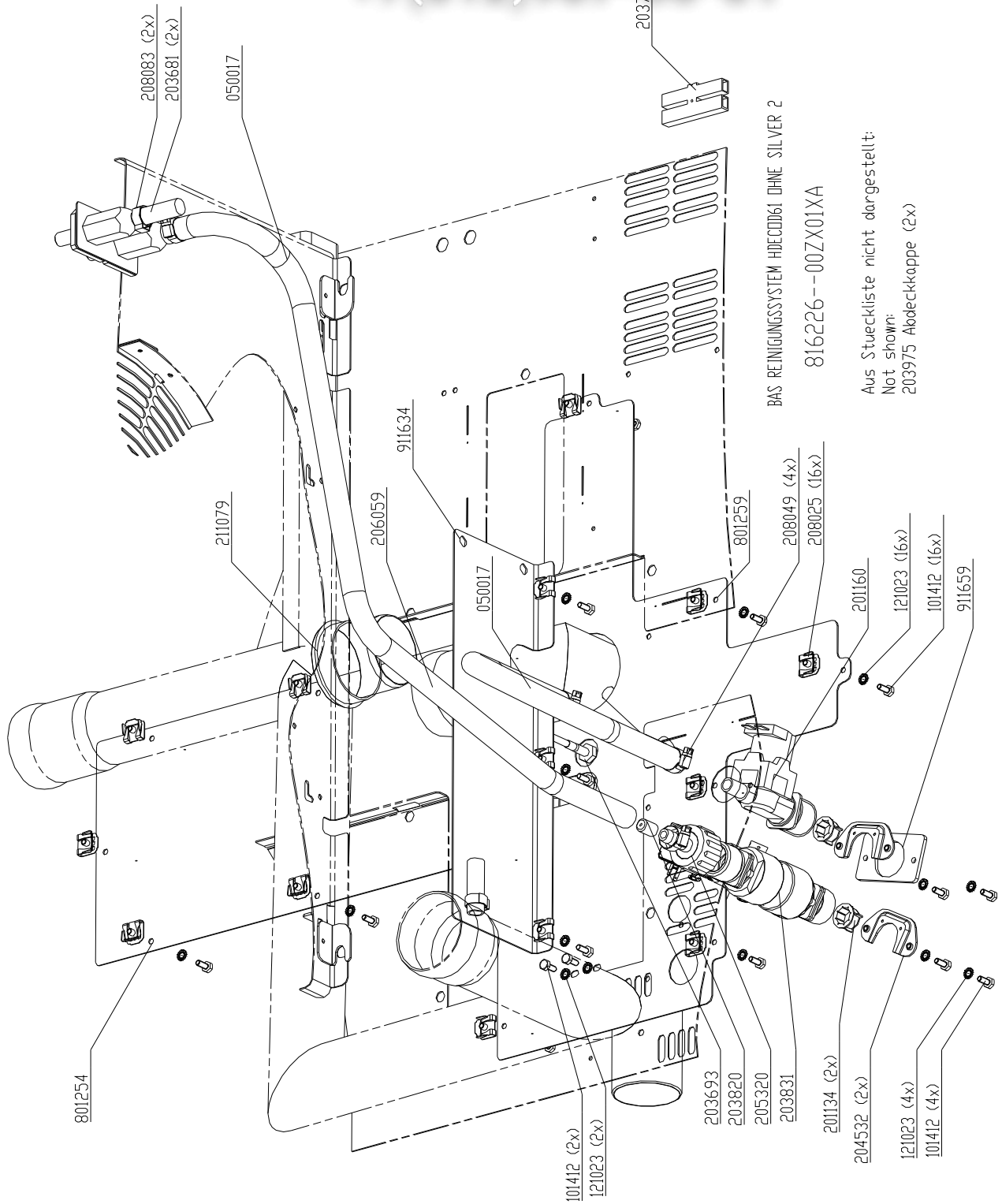


Water assembly with WaveClean 50 Hz HD6.x & HD10.x Silver2



Water assembly without WaveClean HD6.x & HD10.x Silver2

+7(812)987-08-81



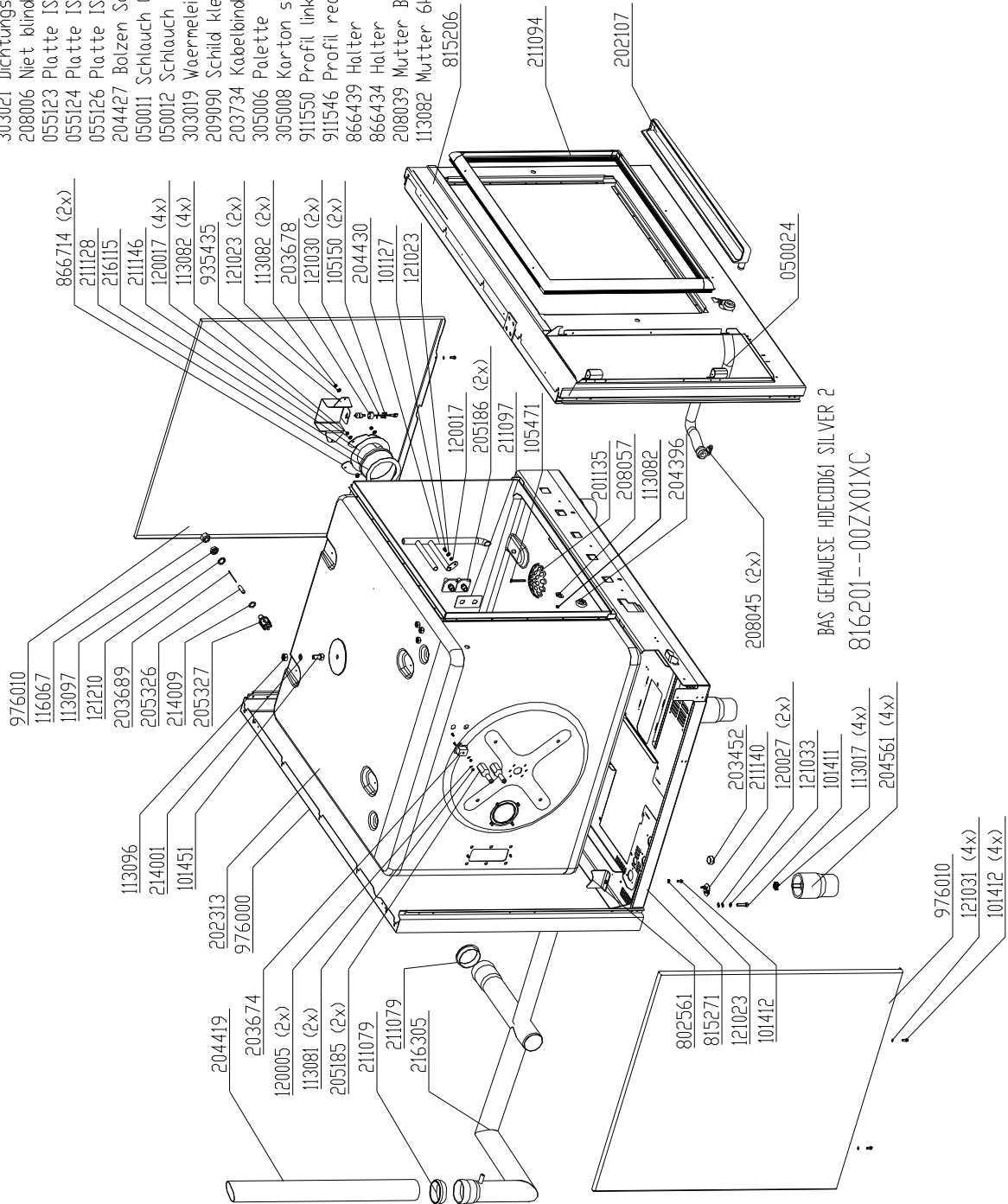
Chassis 6.x Electric Silver Variant S N 1209574 (August 2011)

+7(812)987-08-81

Aus Stueckliste nicht dargestellt:

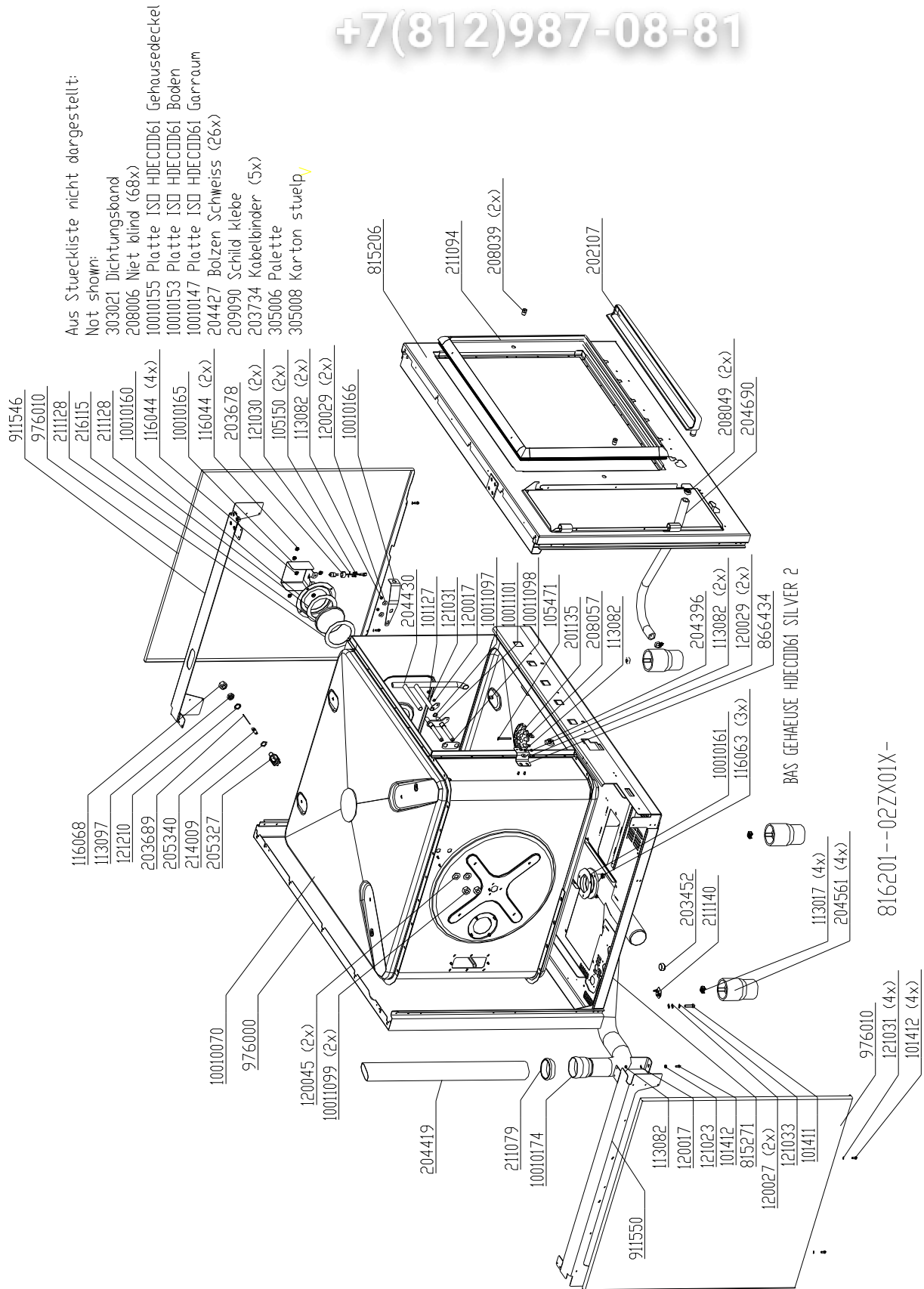
Not shown:

- 303021 Dichtungsband
- 208006 Niet blind (68x)
- 055123 Platte ISD
- 055124 Platte ISD
- 055126 Platte ISD
- 204427 Bolzen Schweiss (26x)
- 050011 Schlauch Glasseide
- 050012 Schlauch Glasseide
- 303019 Waermeleitpaste
- 209090 Schild klebe
- 203734 Kabelbinder (5x)
- 305006 Palette
- 305008 Karton stuelp
- 911550 Profil links
- 911546 Profil rechts
- 866439 Halter
- 866434 Halter
- 208039 Mutter Blindniet (2x)
- 113082 Mutter 6kt M4 (4x)



Chassis 6.x Electric Silver valid from S.N. 11209575 (August 2011)

+7(812)987-08-81



Aus Stueckliste nicht dargestellt:
 Not shown:
 303021 Dichtungsband
 208006 Niet blind (68x)
 10010155 Platte ISO HDECD061 Gehausedeckel
 10010153 Platte ISO HDECD061 Boden
 10010147 Platte ISO HDECD061 Garraum
 204427 Bolzen Schweiß (26x)
 209090 Schild klebe
 203734 Kabelbinder (5x)
 305006 Palette
 305008 Karton stueelp

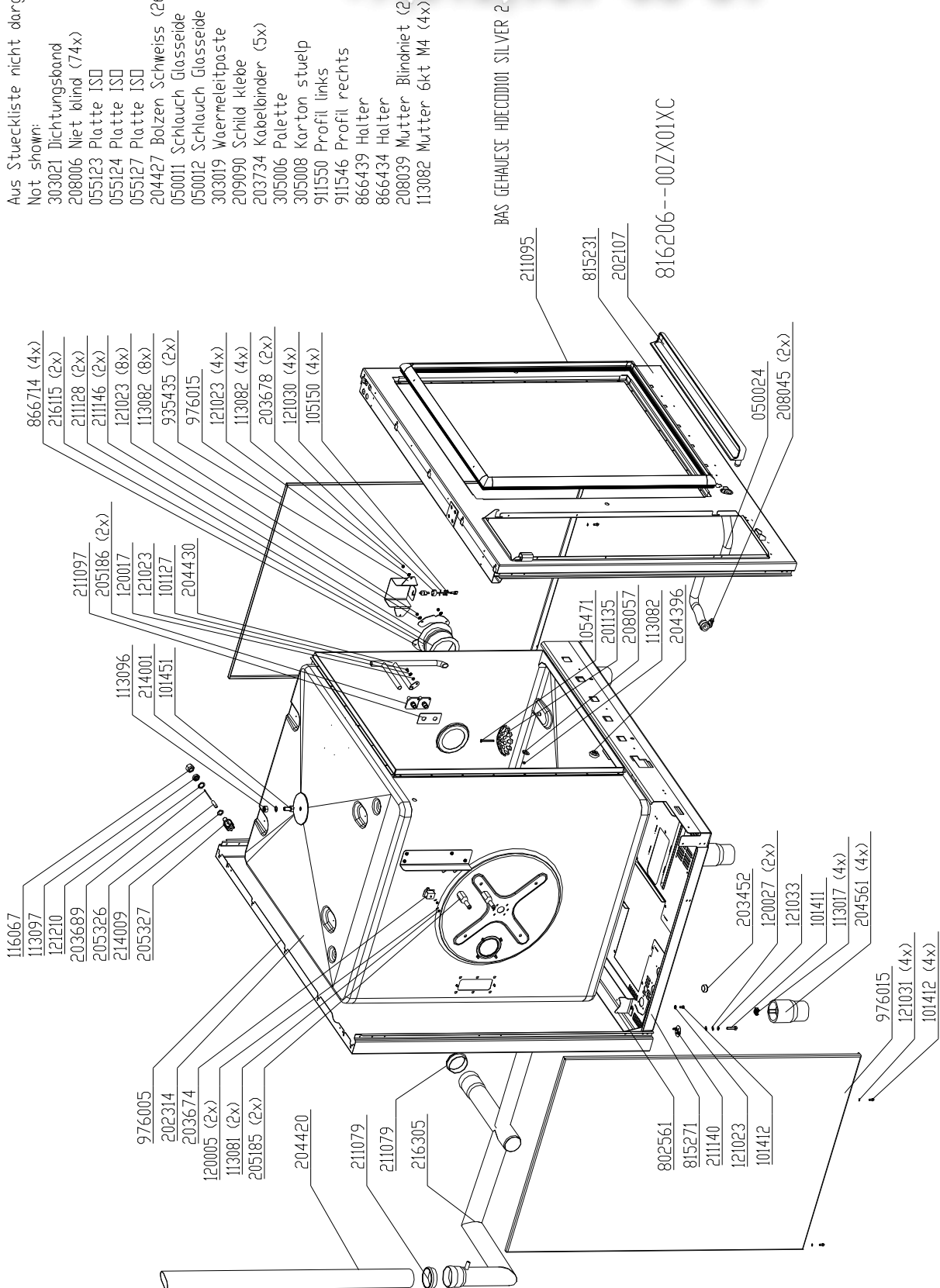
BAS GEHAEUSE HDECD061 SILVER 2

Chassis 10.x Electric Silver valid until S.N 11208882 (August 2011)

+7(812)987-08-81

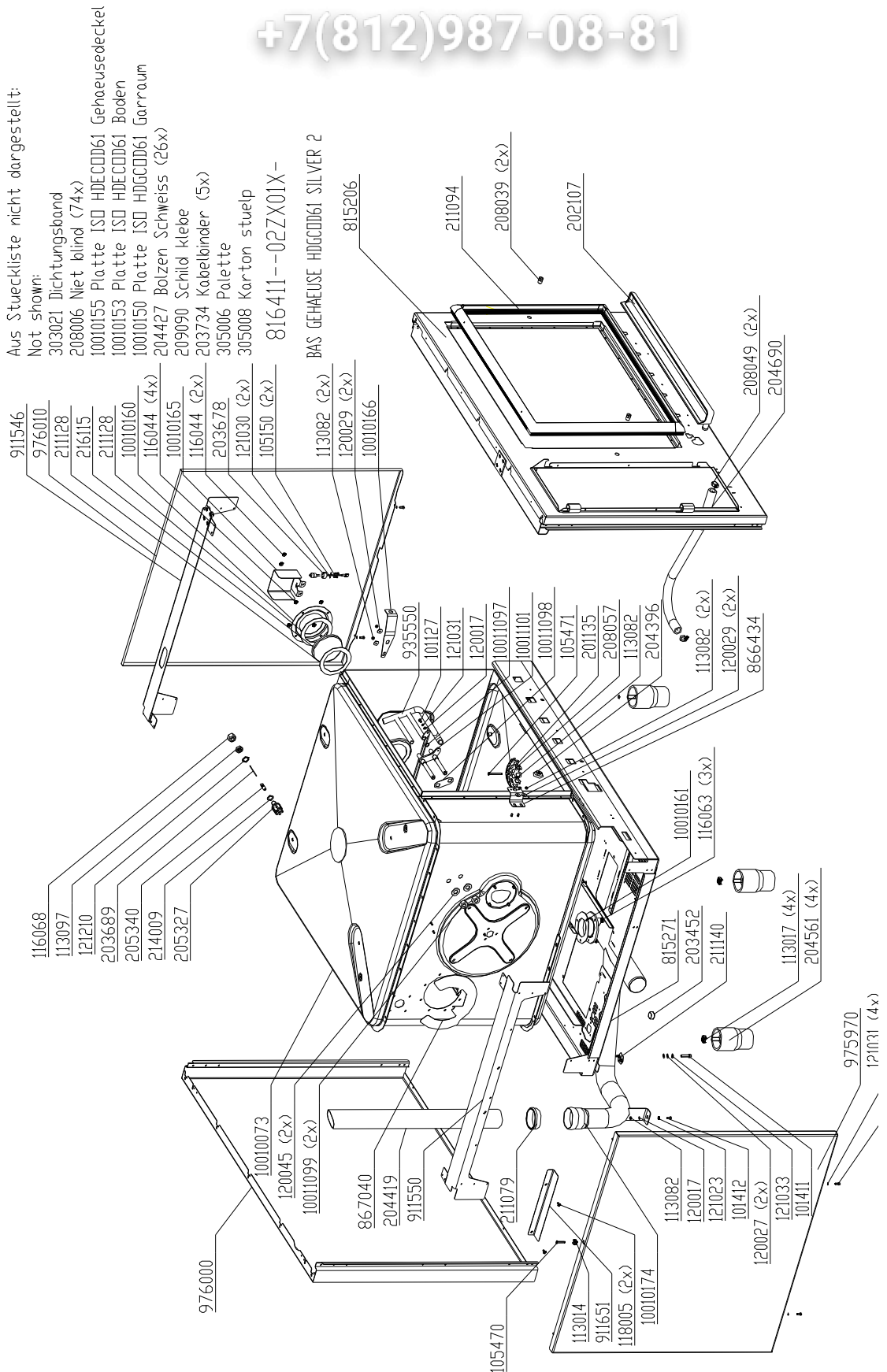
Aus Stueckliste nicht dargestellt:

- Not shown:
- 303021 Dichtungsbund
 - 208006 Niet blind (74x)
 - 055123 Platte ISO
 - 055124 Platte ISO
 - 055127 Platte ISO
 - 204427 Bolzen Schweiss (26x)
 - 050011 Schlauch Glasseide
 - 050012 Schlauch Glasseide
 - 303019 Waermeleitpaste
 - 209090 Schild klebe
 - 203734 Kabelbinder (5x)
 - 305006 Palette
 - 305008 Karton stuepel
 - 911550 Profil links
 - 911546 Profil rechts
 - 866439 Halter
 - 866434 Halter
 - 208039 Mutter Blindniet (2x)
 - 113082 Mutter 6kt M4 (4x)



Chassis 6.x Gas Silver2 and from S.N 11209862 (August 2011)

+7(812)987-08-81

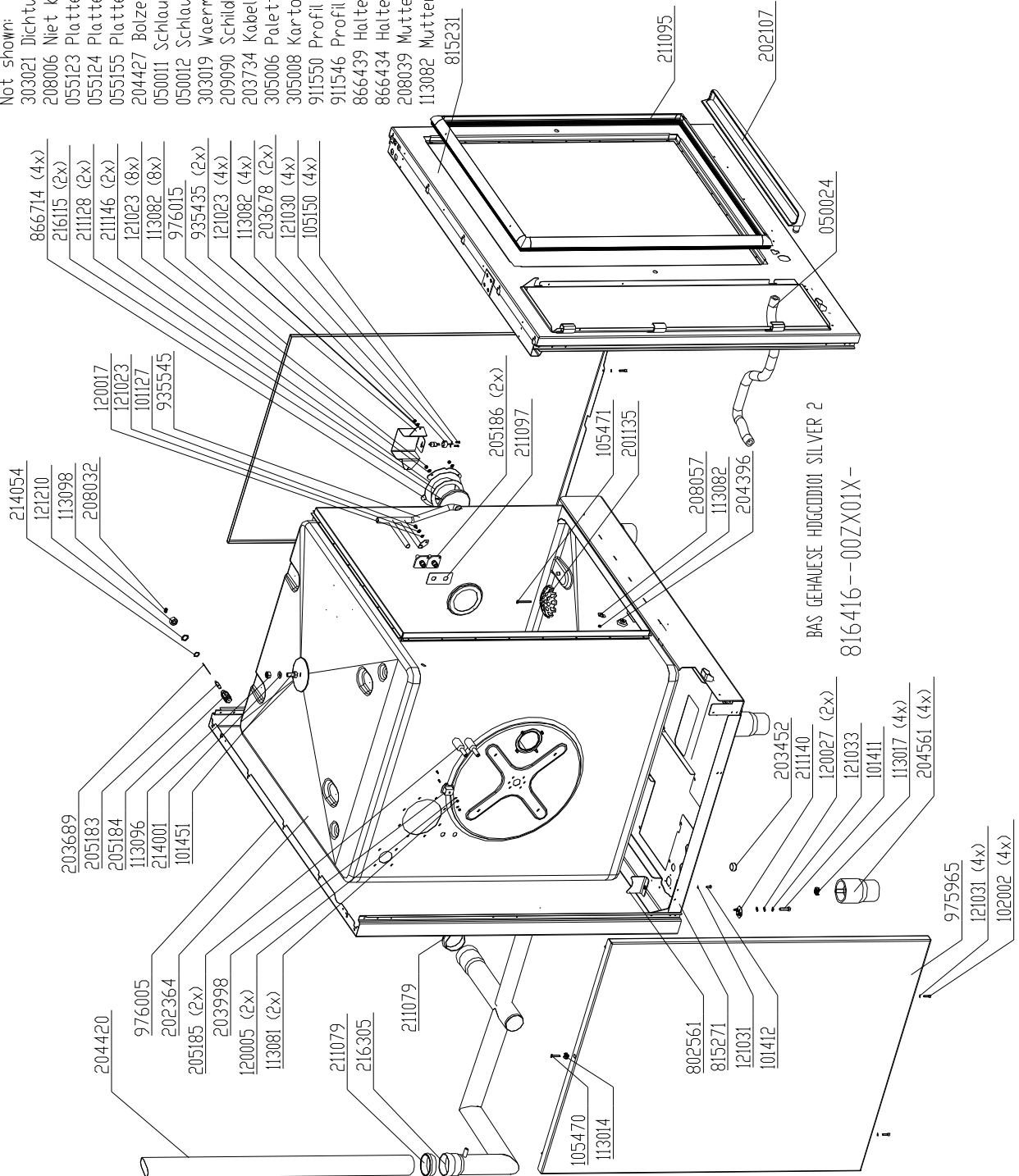


Chassis 10.x Gas Silver Variant US N 1210676 (August 2011)

+7(812)987-08-81

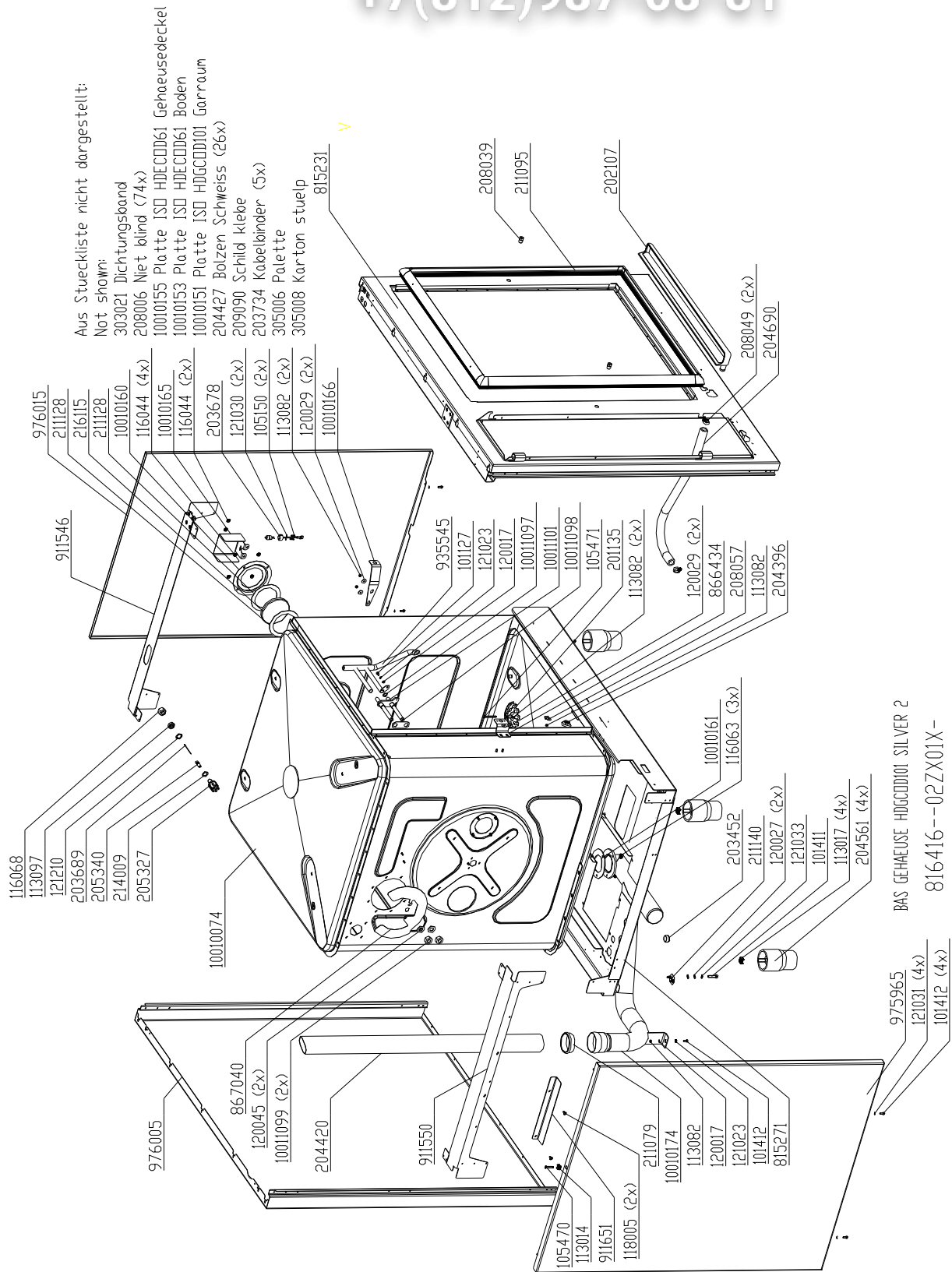
Aus Stueckliste nicht dargestellt:
Not shown:

- 303021 Dichtungsband
- 208006 Niet blind (74x)
- 055123 Platte ISO
- 055124 Platte ISO
- 055155 Platte ISO
- 204427 Bolzen Schweiss (26x)
- 050011 Schlauch Glasseide
- 050012 Schlauch Glasseide
- 303019 Waermeleitpaste
- 209090 Schild klebe
- 203734 Kabelbinder (5x)
- 305006 Palette
- 305008 Karton stueelp
- 911550 Profil links
- 911546 Profil rechts
- 866439 Halter
- 866434 Halter
- 208039 Mutter Blindniet (2x)
- 113082 Mutter 6kt M4 (4x)



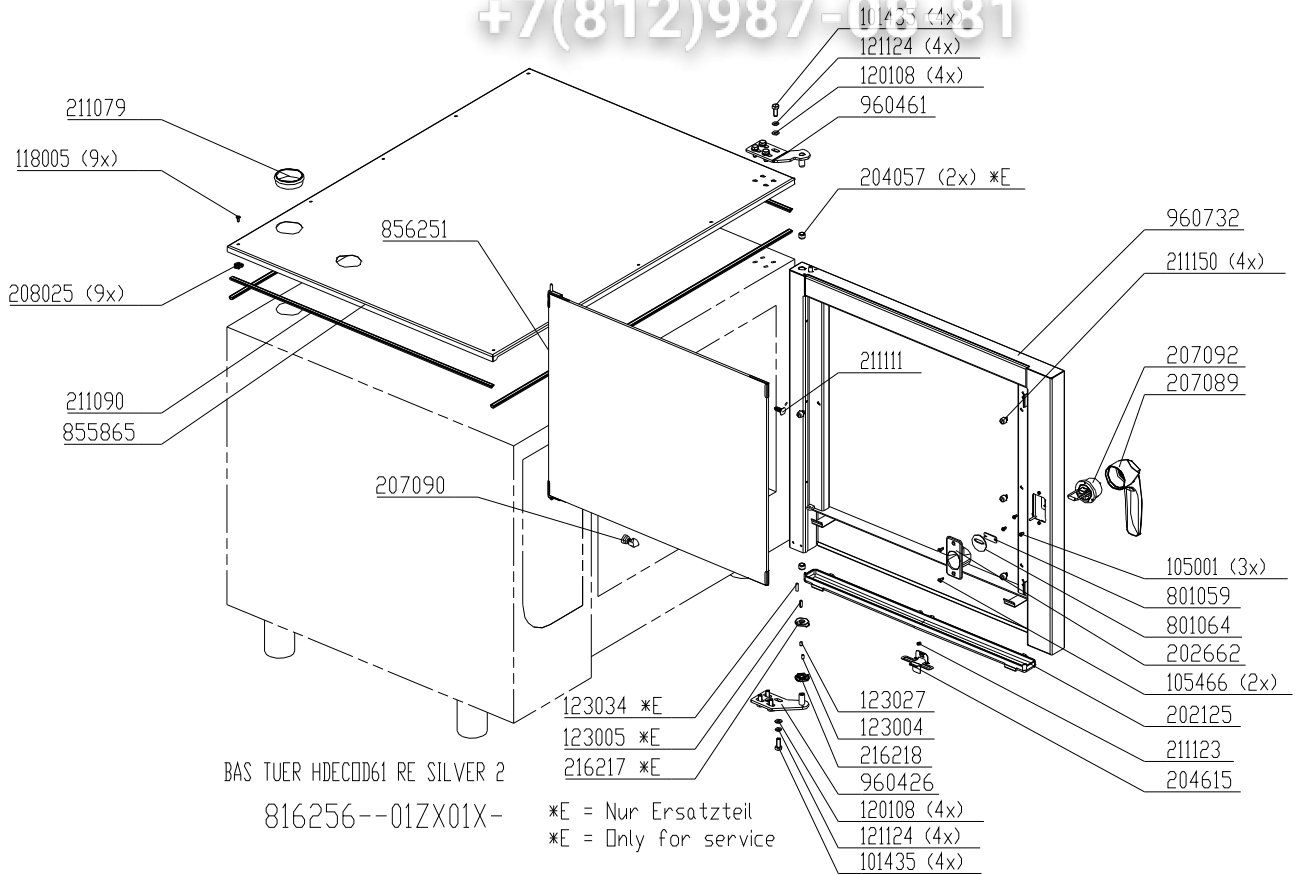
Chassis 10.x Gas Silver 2 valid from S/N 1210677 (August 2011)

+7(812)987-08-81



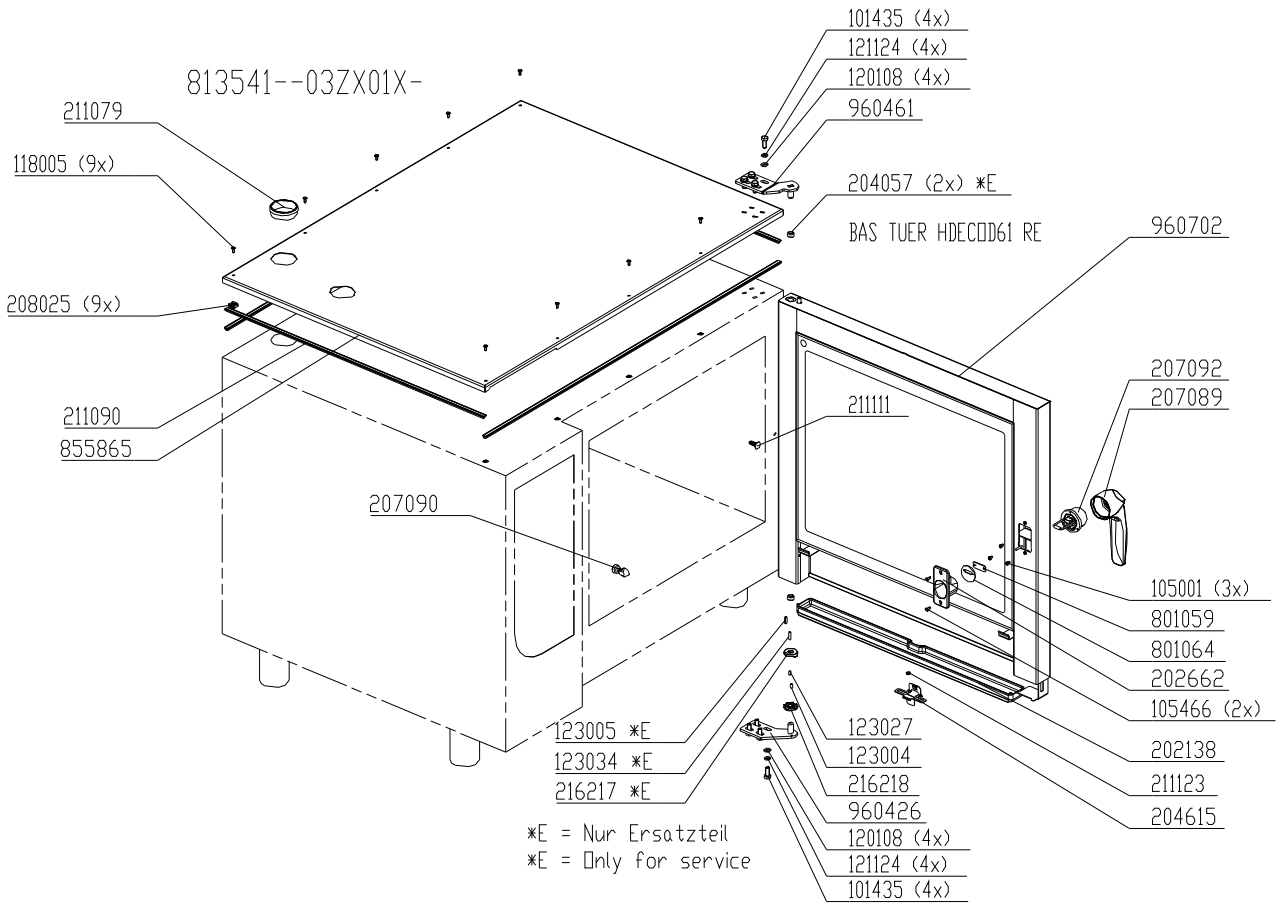
Chassis door area HD6.x electric, right hinged (double glazing)

+7(812)987-08-81



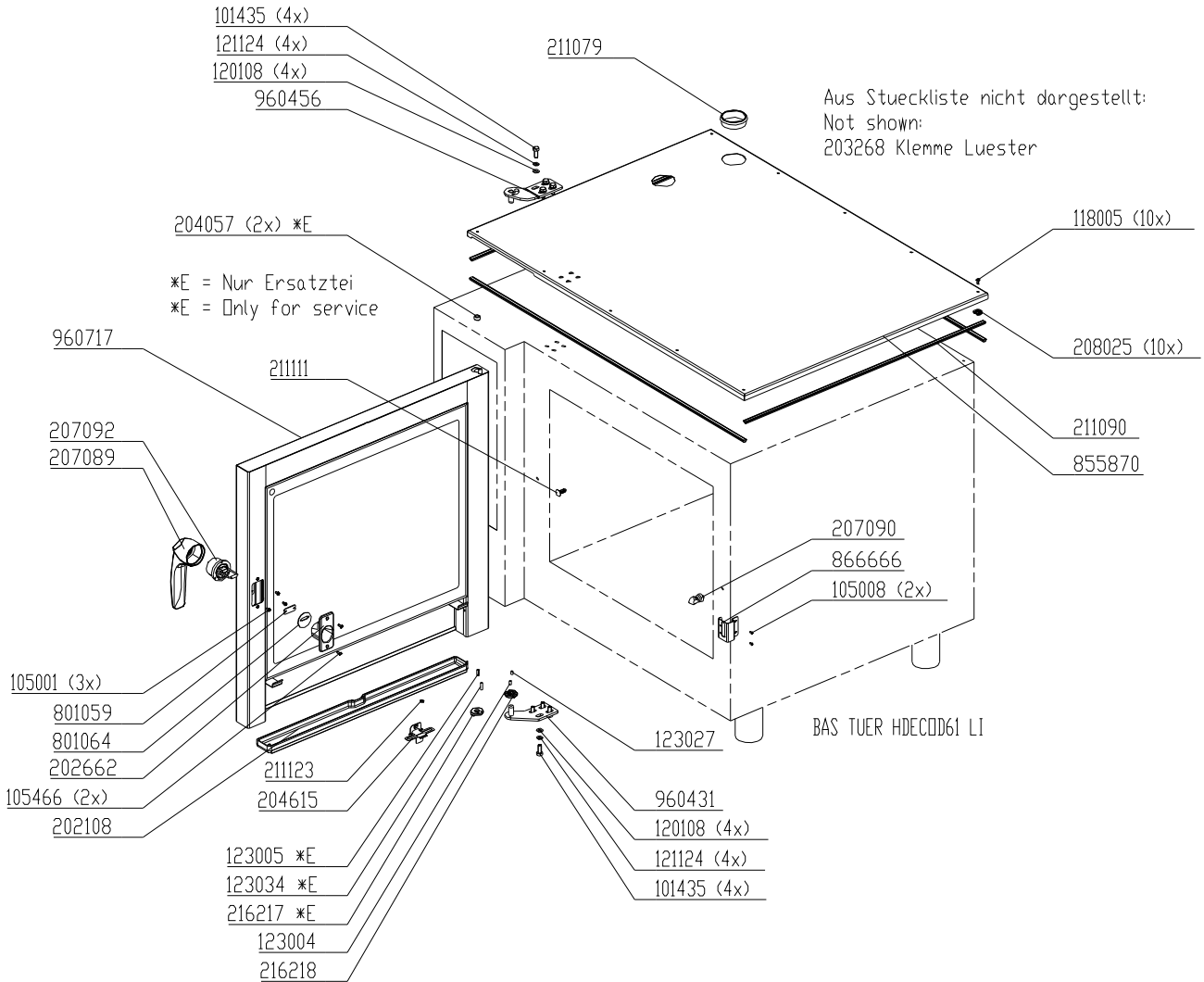
Chassis door area HD6.x electric right Hinged (triple glazing)

+7(812)987-08-81

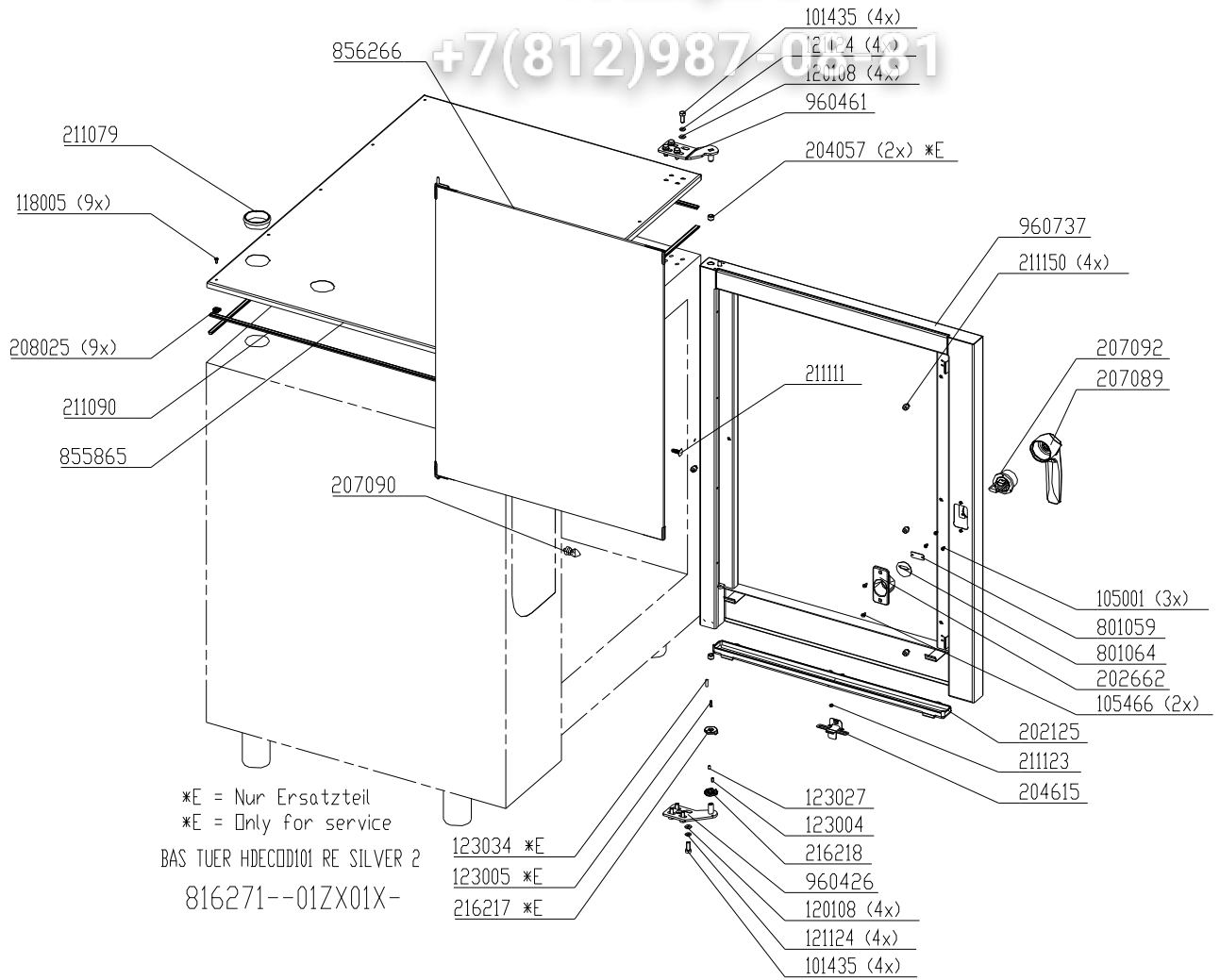


Chassis door area HD6.x electric left hinged (triple glazing)

+7(812)987-08-81

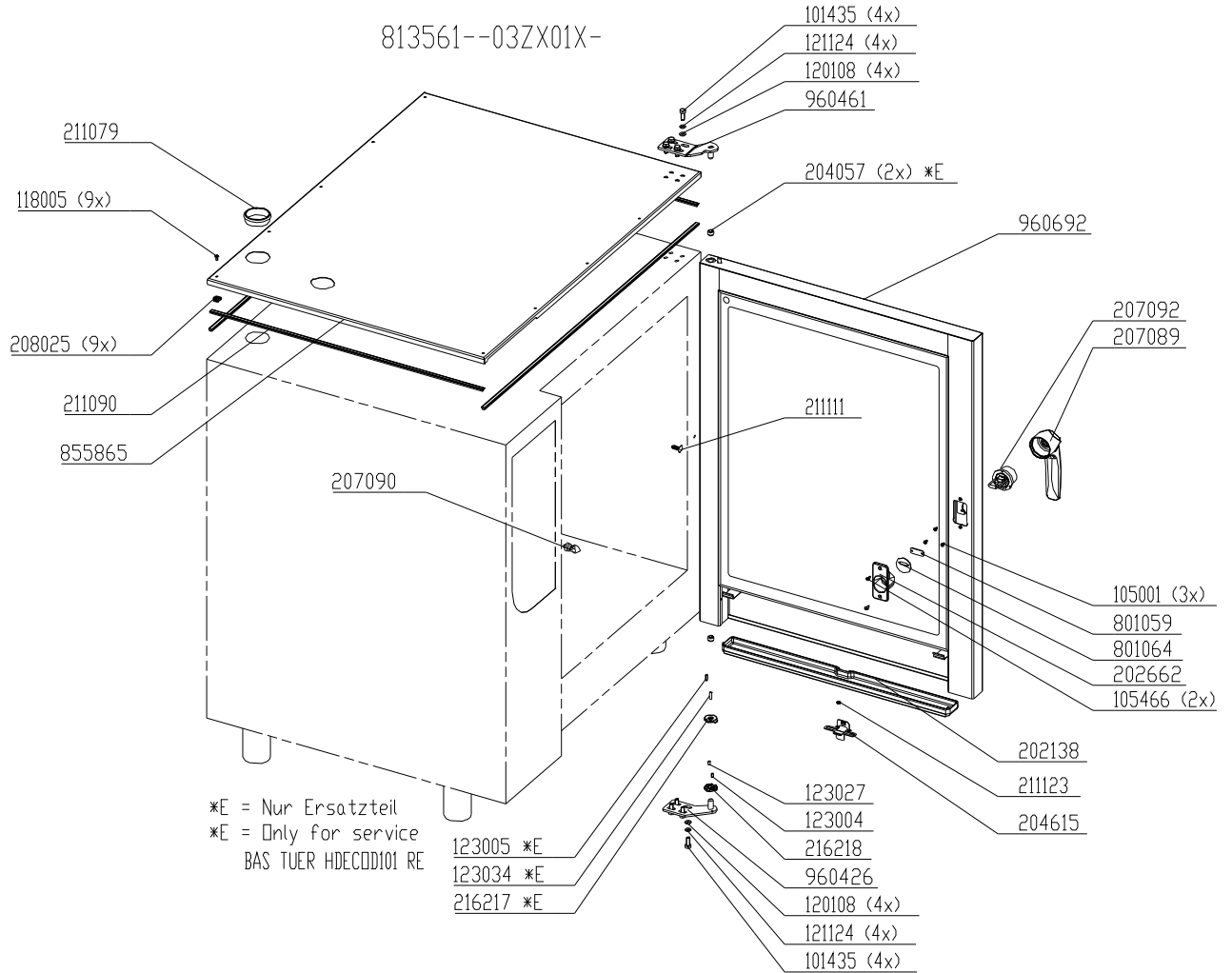


Chassis door area HD10.x electric, right hinged (double glazing)



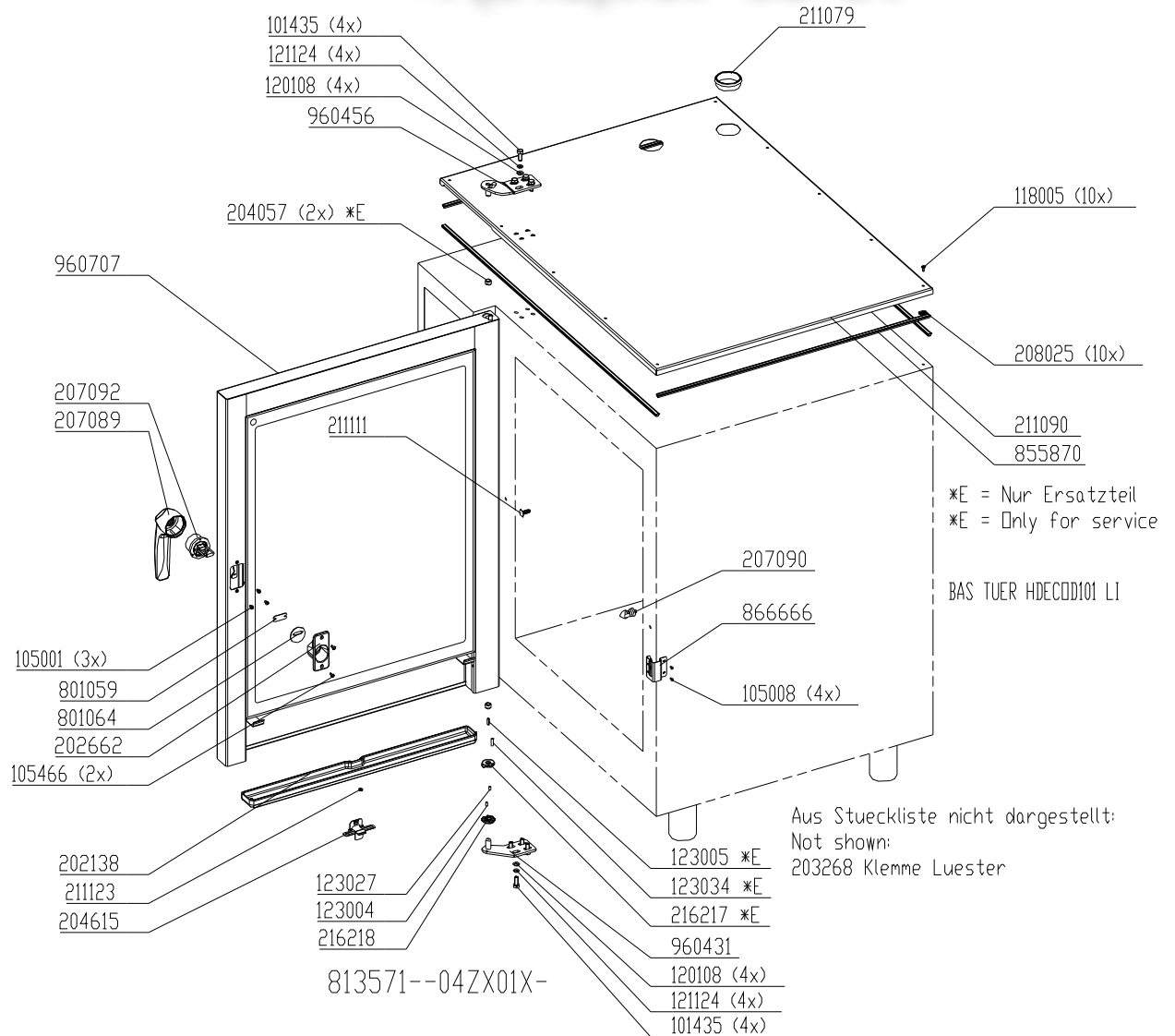
Chassis door area HD10.x electric, right hinged (triple glazing)

+7(812)987-08-81



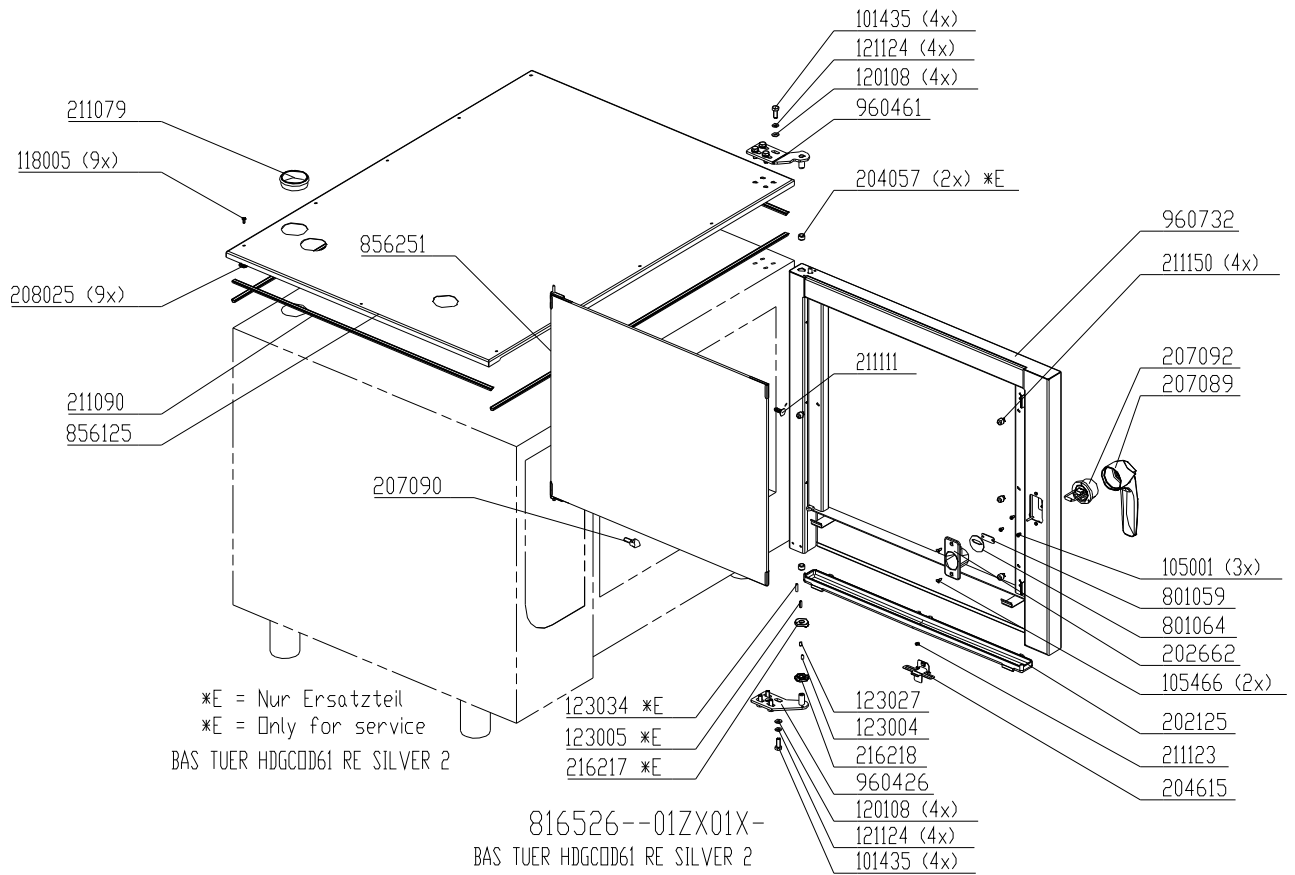
Chassis door area HD10.x electric, left hinged (triple glazing)

+7(812)987-08-81



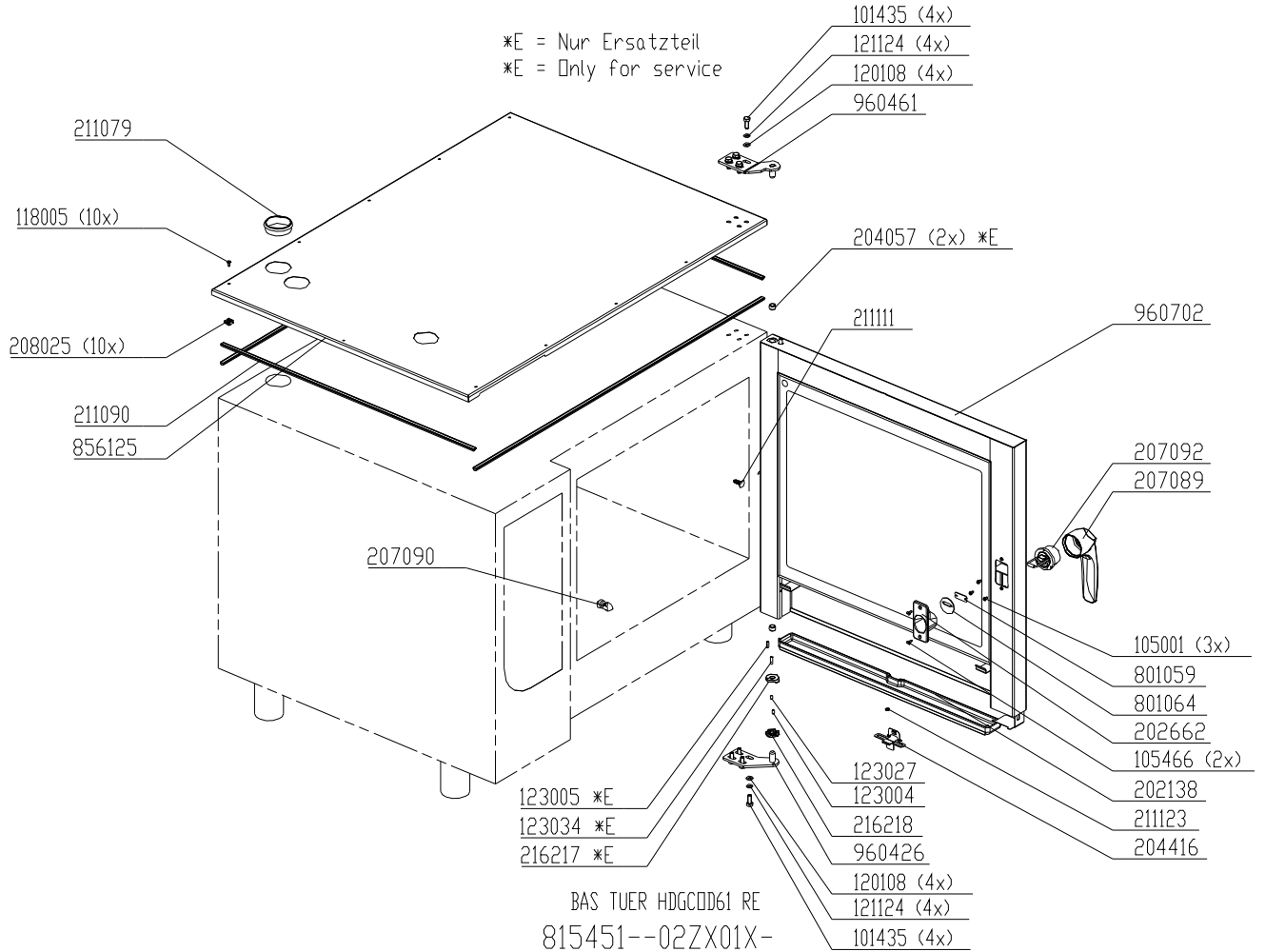
Chassis door area HD6.x gas, right hinged (double glazing)

+7(812)987-08-81



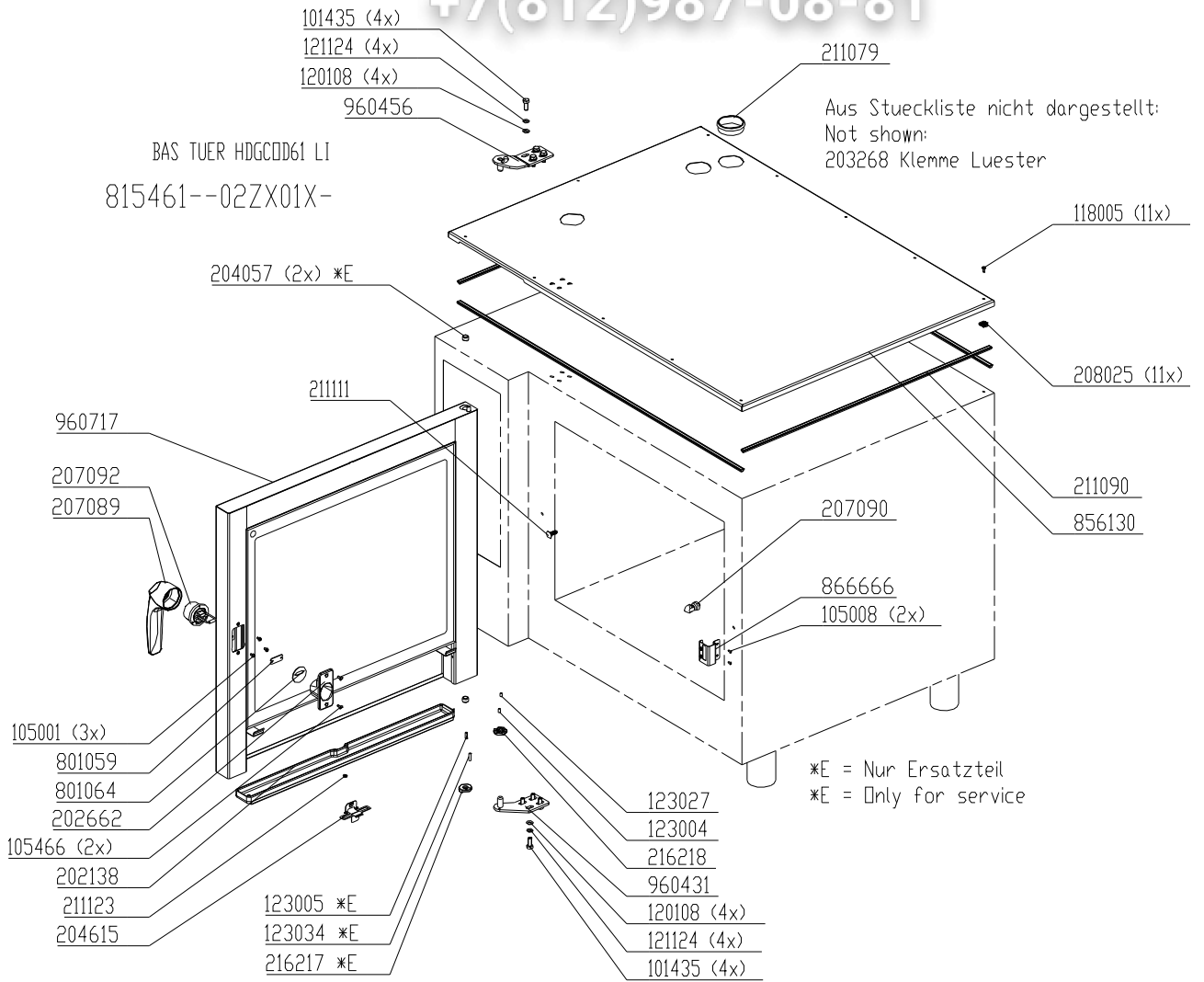
Chassis door area HD6.x gas, light hinged (triple glazing)

+7(812)987-08-81



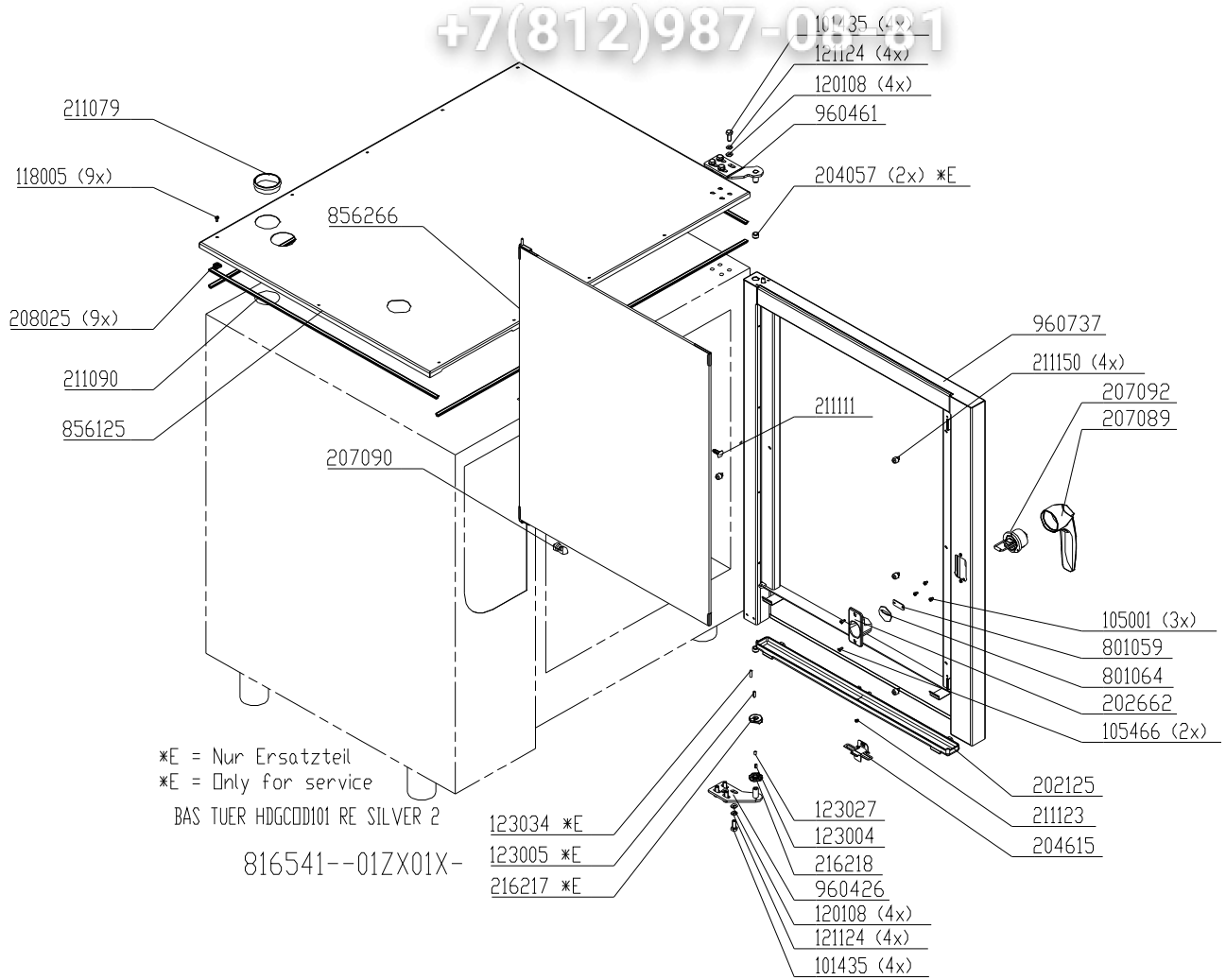
Chassis door area HD6.x gas, left hinged (triple glazing)

+7(812)987-08-81



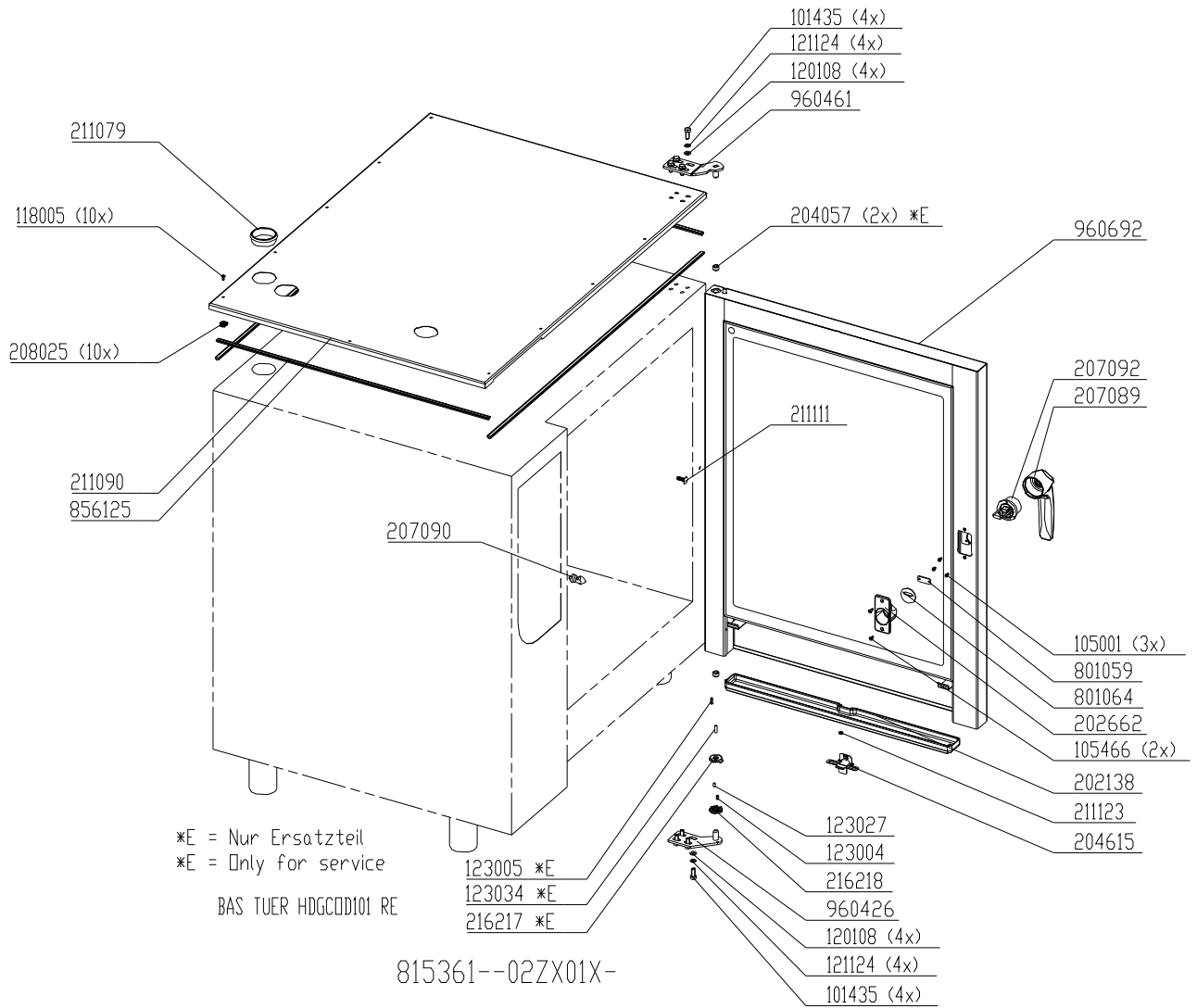
Chassis door area HD10.x gas, right hinged (double glazing)

+7(812)987-0981



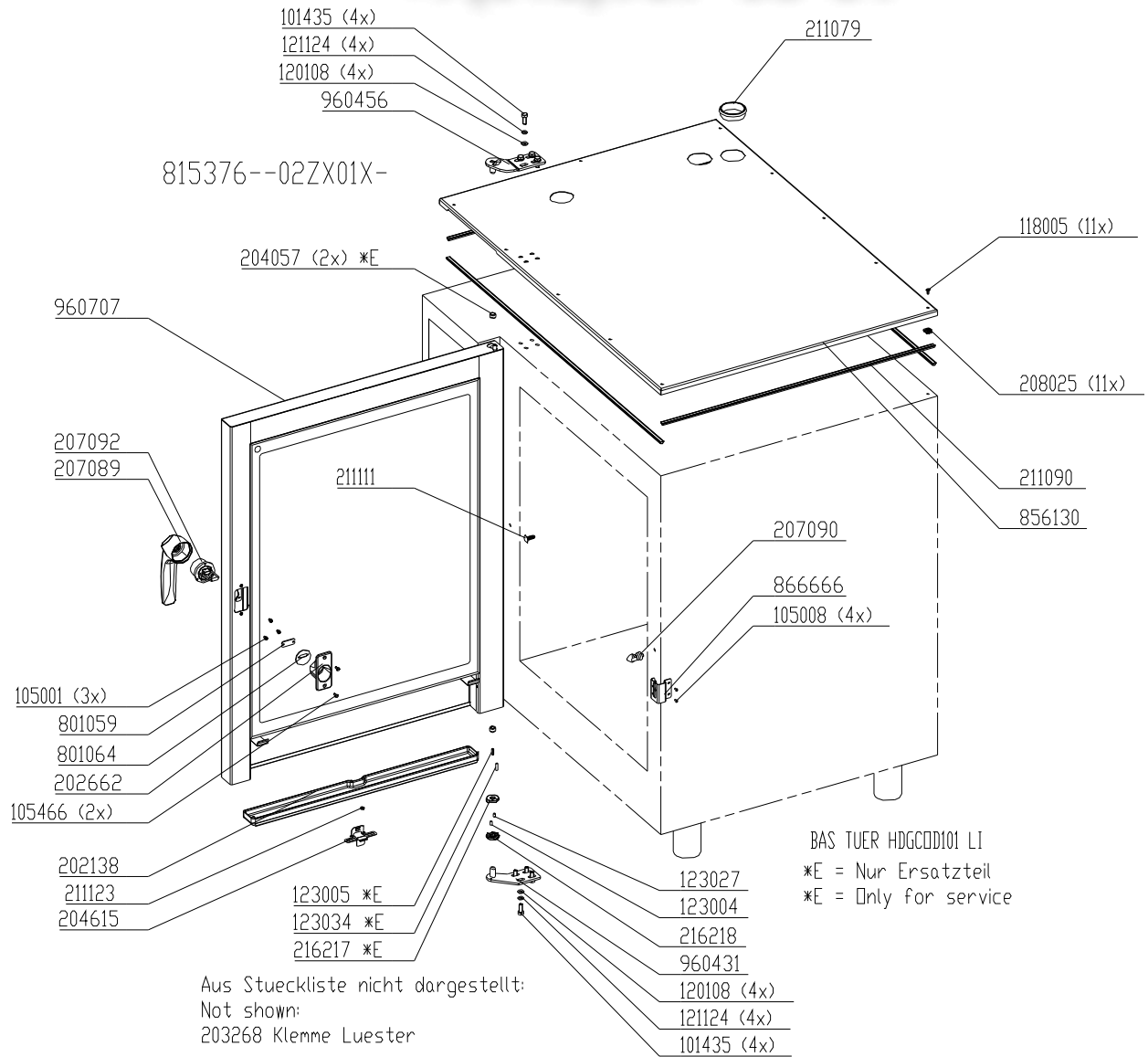
Chassis door area HD10.x gas, right hinged (triple glazing)

+7(812)987-08-81



Chassis door area HD10.x gas, left hinged (triple glazing)

+7(812)987-08-81

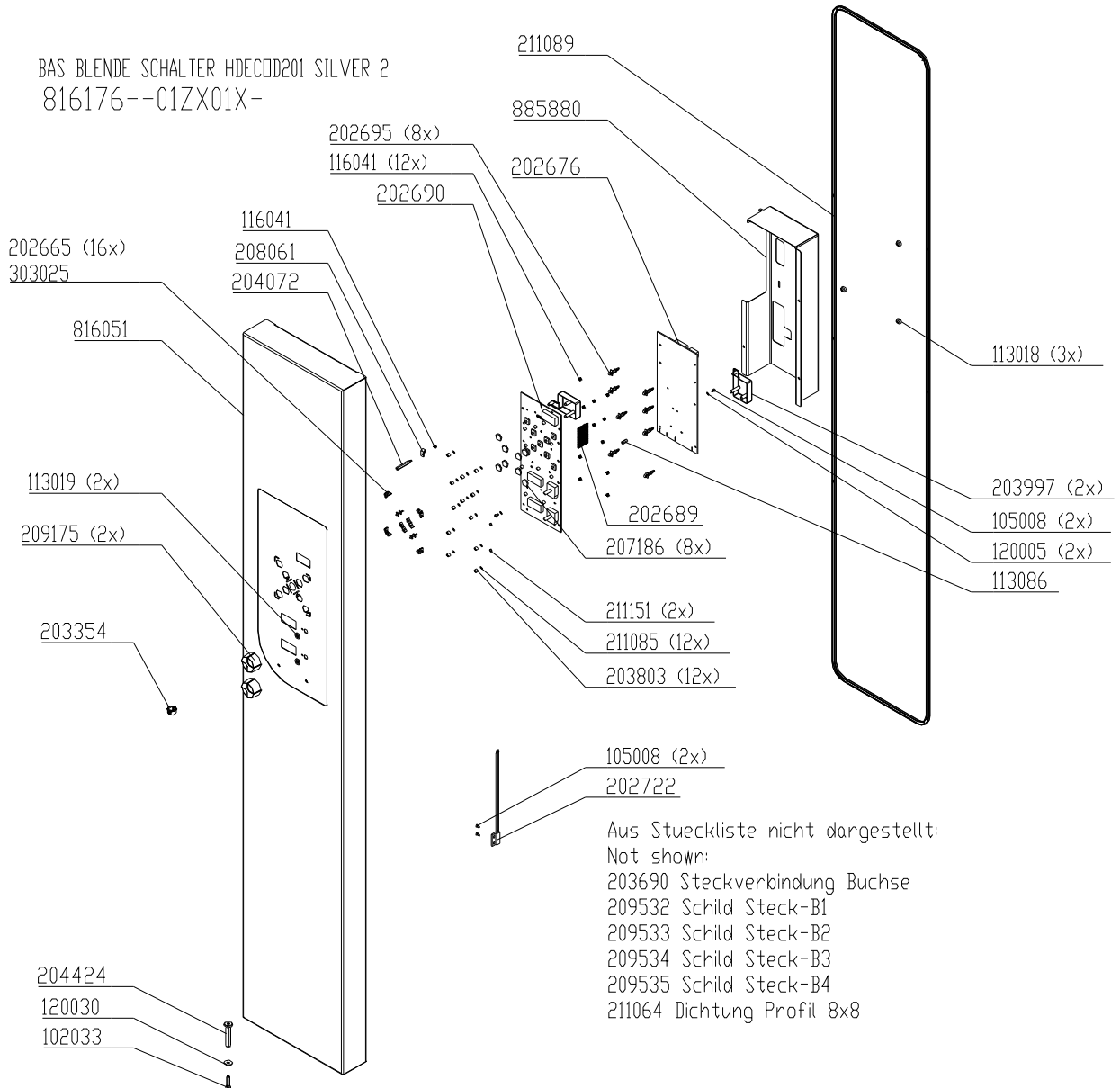


Exploded drawings 20.x

Electric & Gas
+7(812)987-08-81

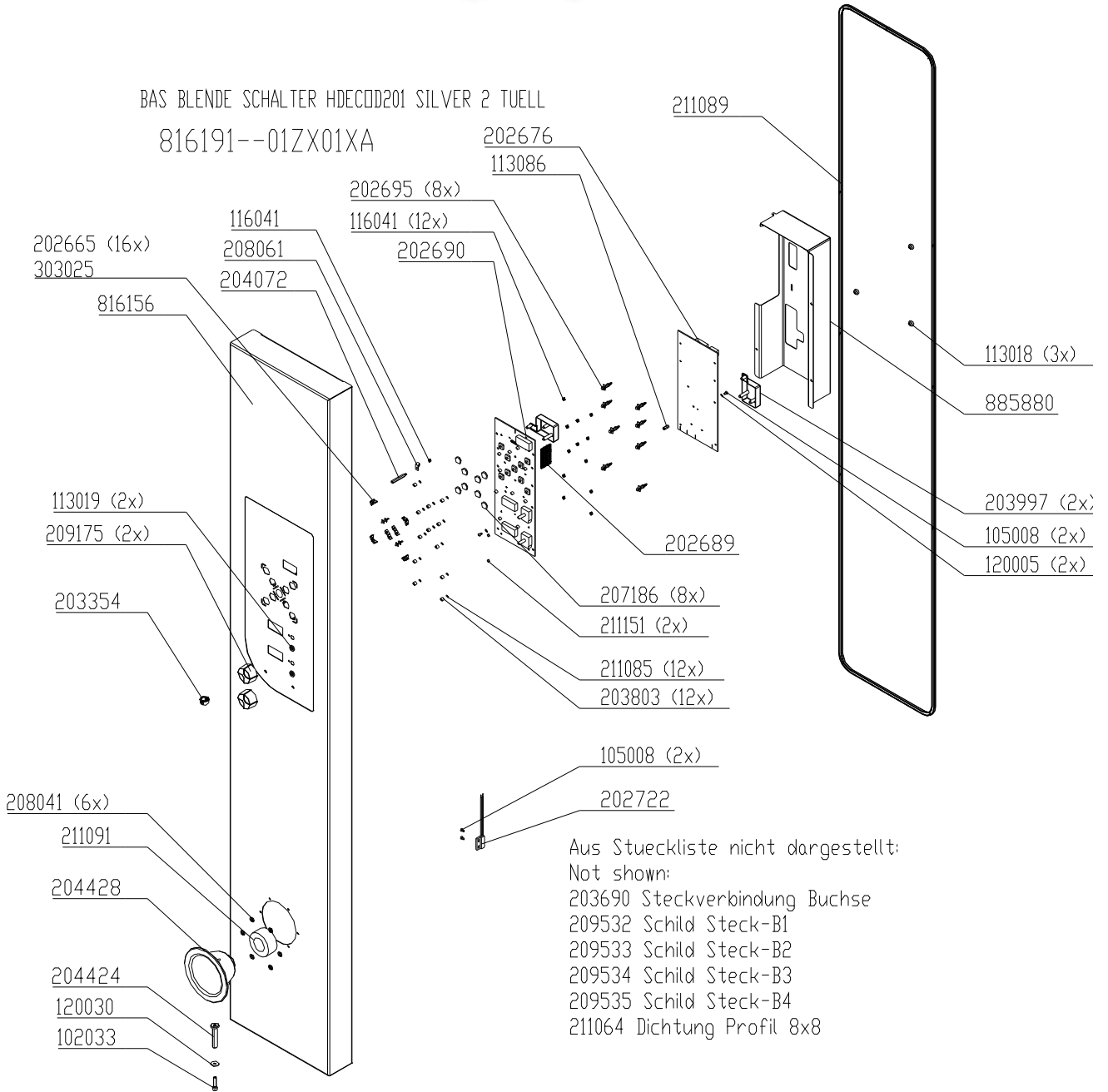
Front panel 20.x Silver without hand shower

+7(812)987-08-81



Front panel 20.x Silver2 with hand shower

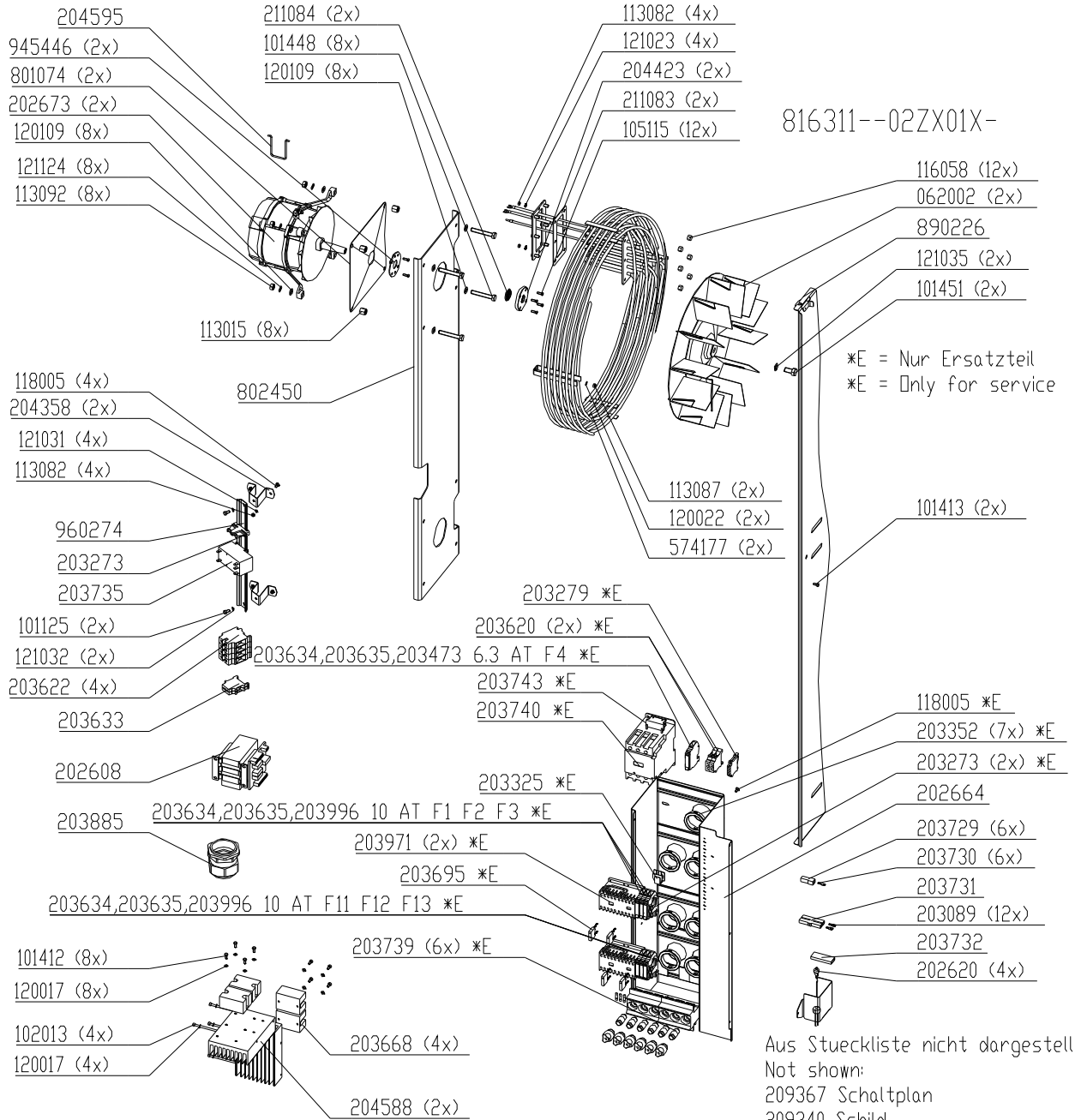
+7(812)987-08-81



Electric assembly 3NPE 400V HD20.1 Silver2

+7(812)987-08-81

BAS ENERGIE HDECOD201 11 32.7/3NPEAC50/400S2

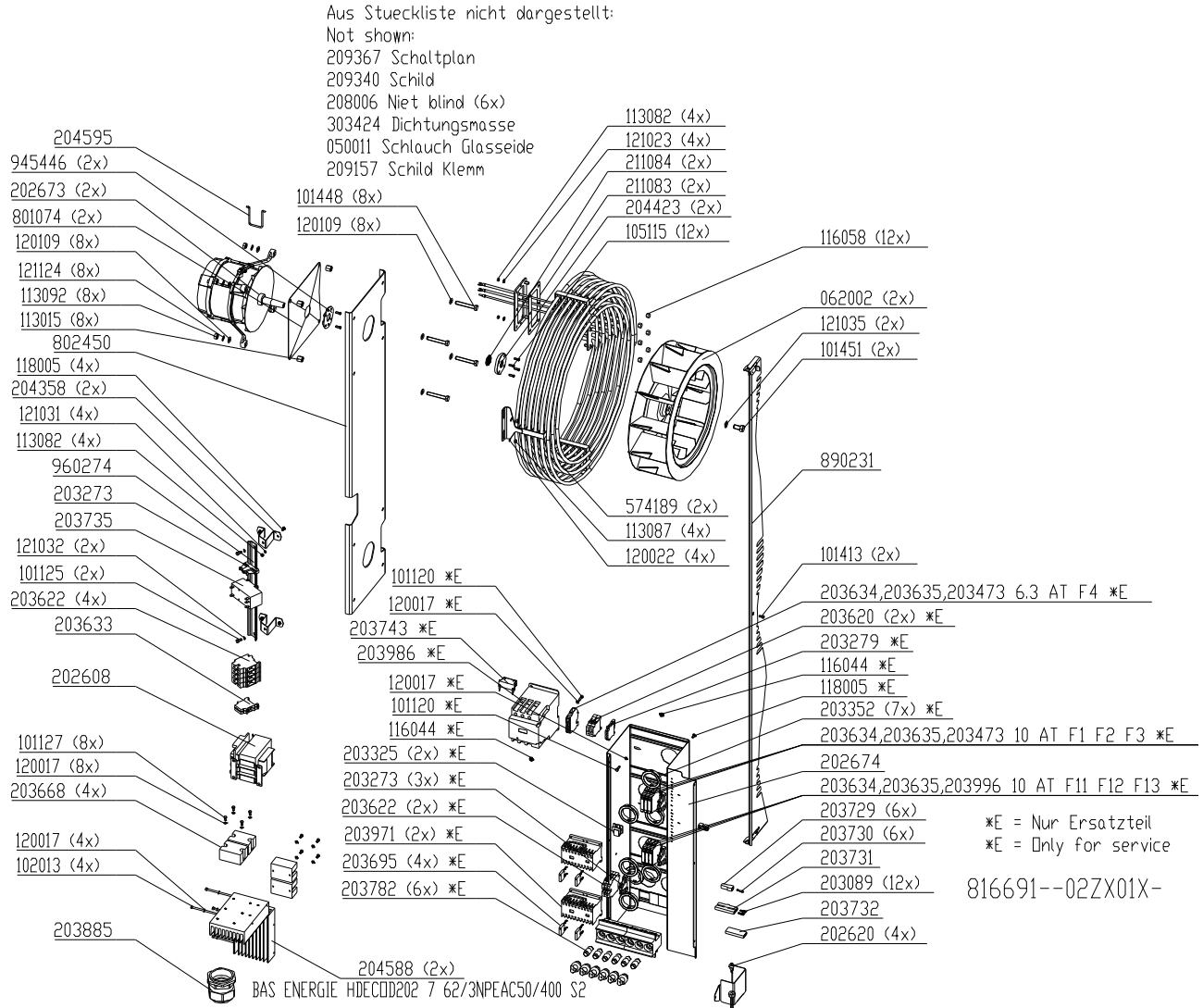


Aus Stueckliste nicht dargestellt:
Not shown:
209367 Schaltplan
209340 Schild
208006 Niet blind (6x)
303424 Dichtungsmasse
050011 Schlauch Glasseide
209157 Schild Klemm

Bis (until) S/N 08022075 (August2008) Transformator (transformer) #203818
Ab (from) S/N 11212250 (October 2011): #945446 → #945661, #204423 → 204681,
#202620 → #203679

Electric assembly 3NPE 400V HD20.2 Silver2

+7(812)987-08-81

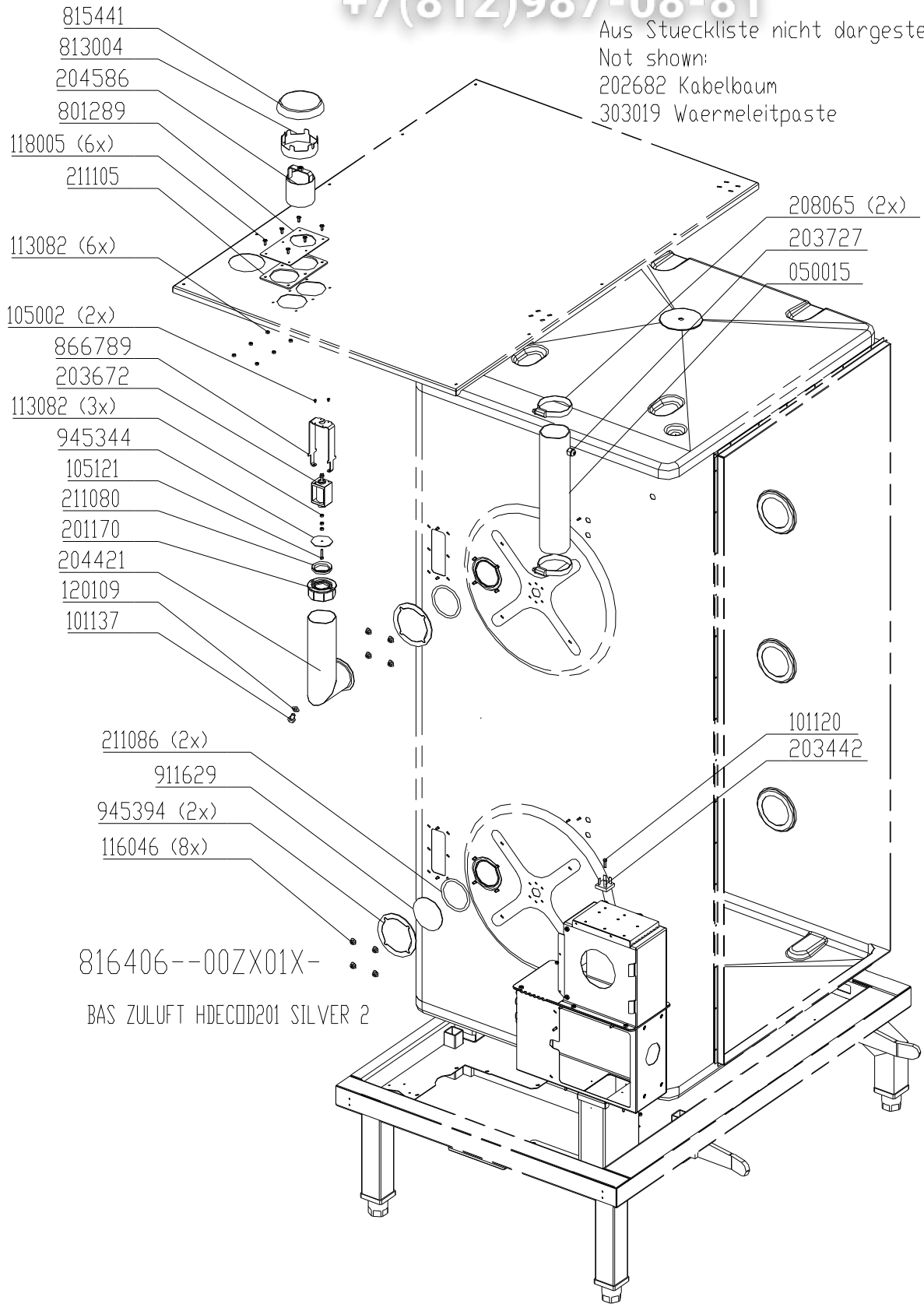


Bis (until) S/N 08022075 (August2008) Transformator (transformer) #203818
 Ab (from) S/N 11212250 (October 2011): #945446 → #945661, #204423 → 204681,
 #202620 → #203679

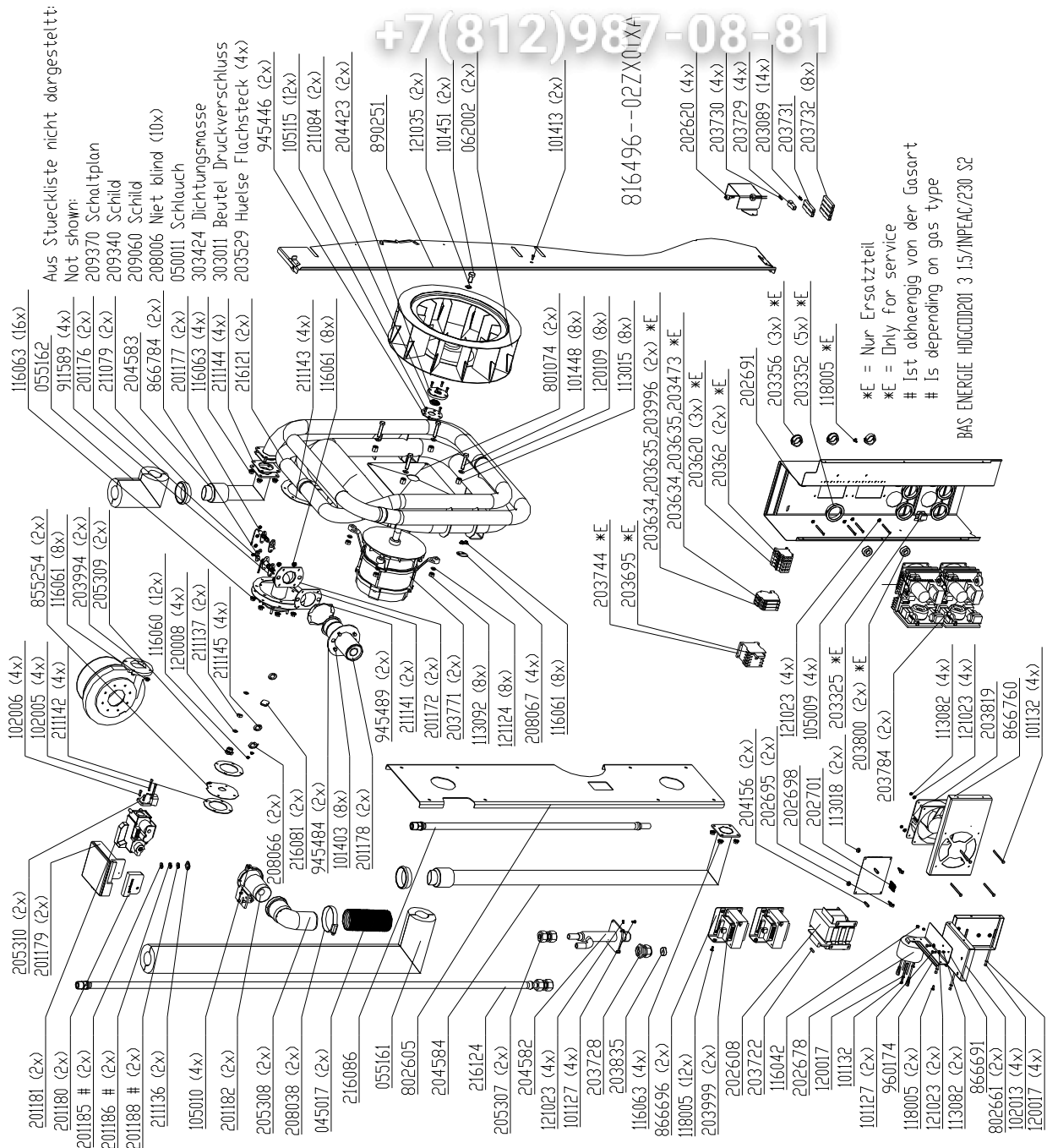
Fresh air assembly 20x Silver2

+7(812)987-08-81

Aus Stueckliste nicht dargestellt:
Not shown:
202682 Kabelbaum
303019 Waermeleitpaste



Gas assembly H20p Silver2

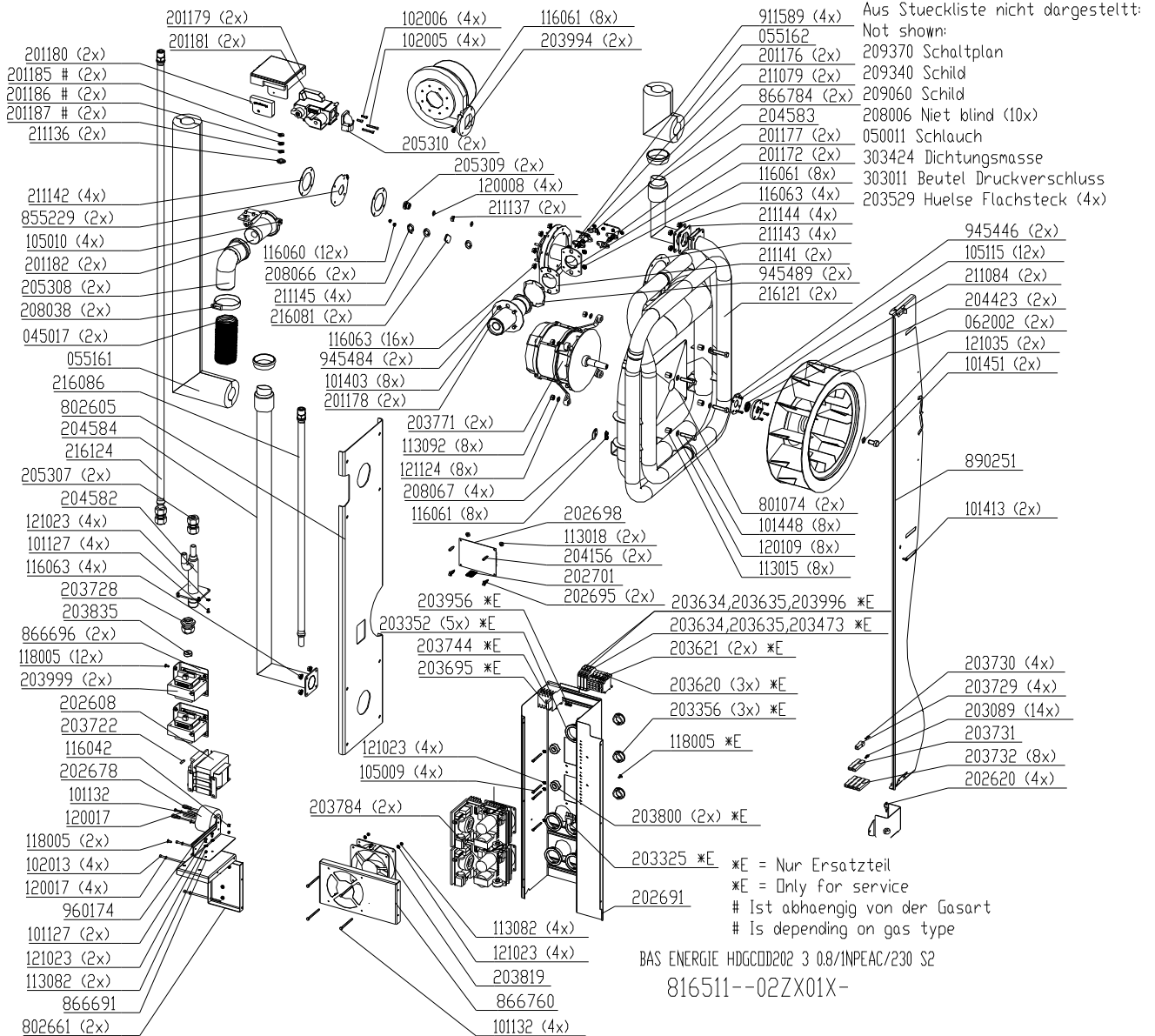


Bis (until) S/N 08022075 (August2008) Transformator (transformer) #203818
 Bis (until) S/N 09020157: #216085 ersetzt durch (replaced by) #216121 & # 855254. Es müssen beide
 Teile ersetzt werden (Both parts must be replaced)!

Ab (from) S/N 11212226 (Oktober / October 2011): #202620 → #203679

Gas assembly HD202 Silver2

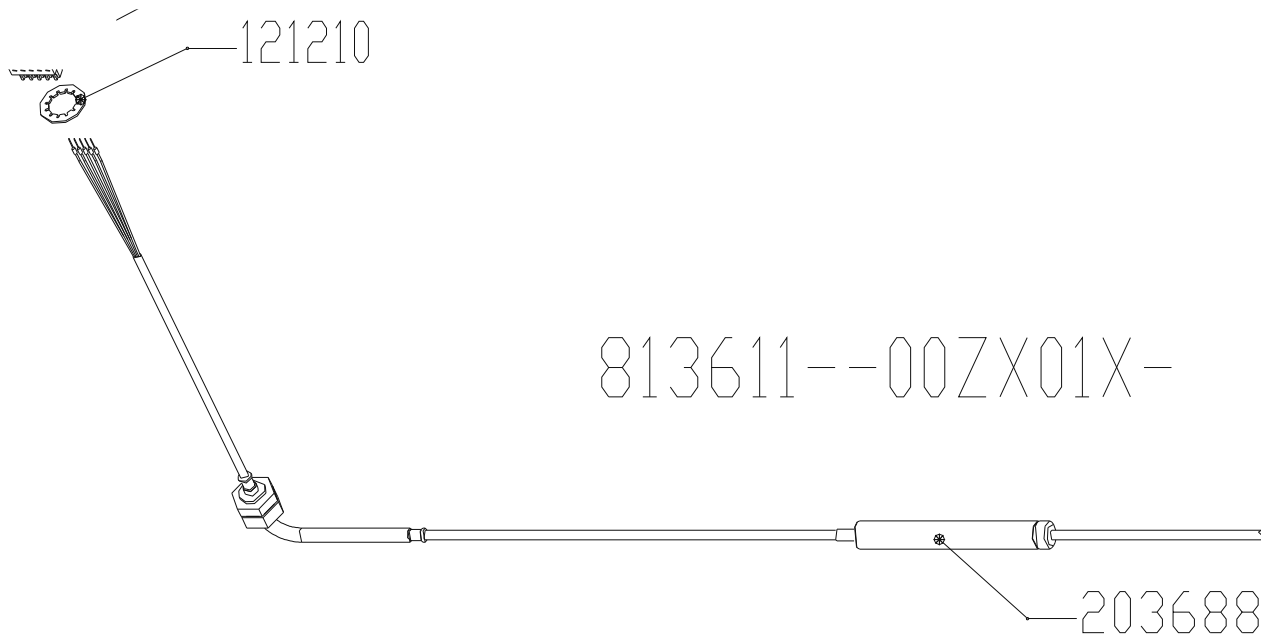
+7(812)987-08-81



Bis (until) S/N 08022075 (August2008) Transformator (transformer) #203818
Ab (from) S/N 11212226 (Oktober / October 2011): #202620 → #203679

Core temperature probe HD20.x Silver2

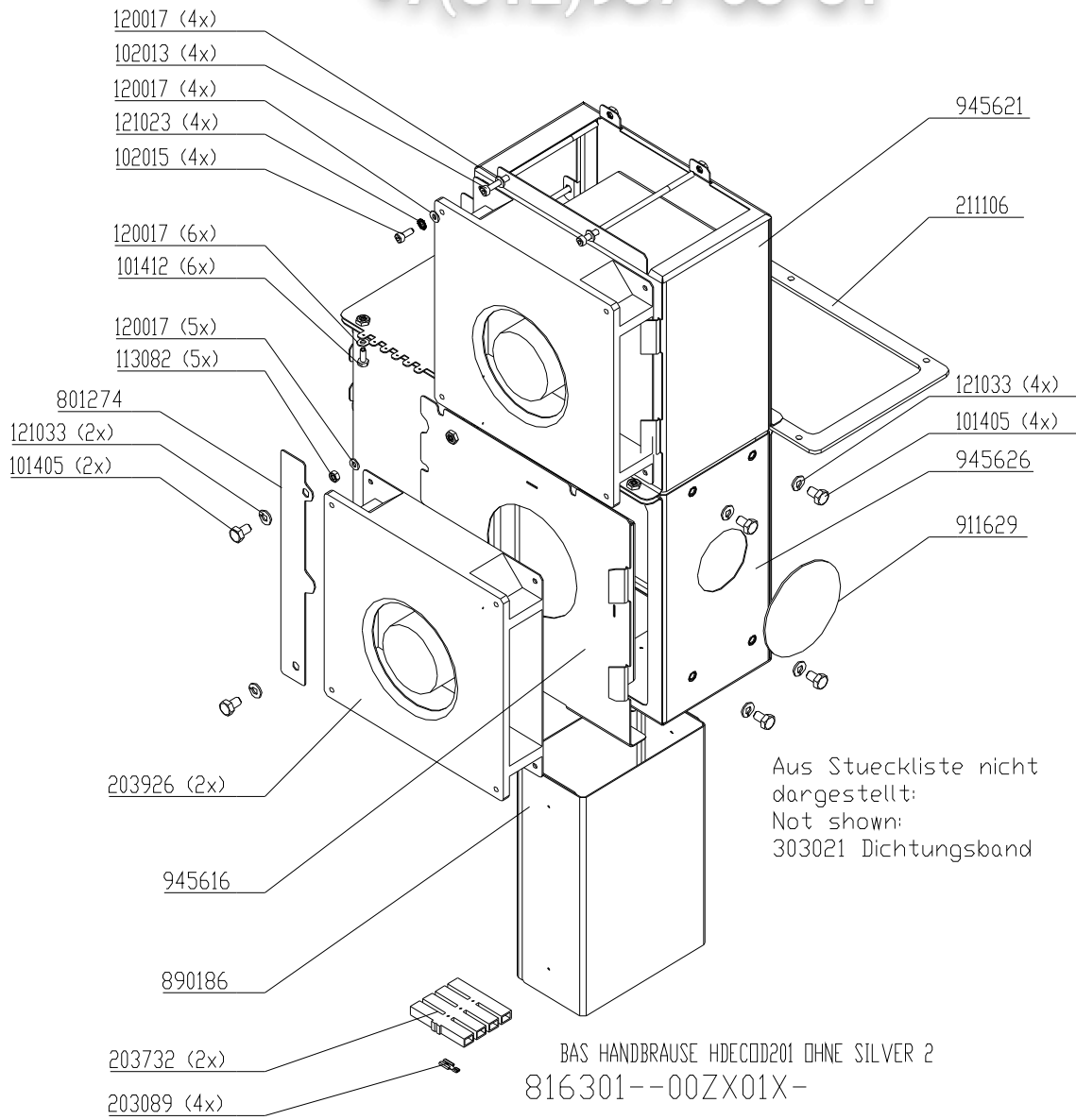
+7(812)987-08-81



BAS FUEHLER HDECOD201

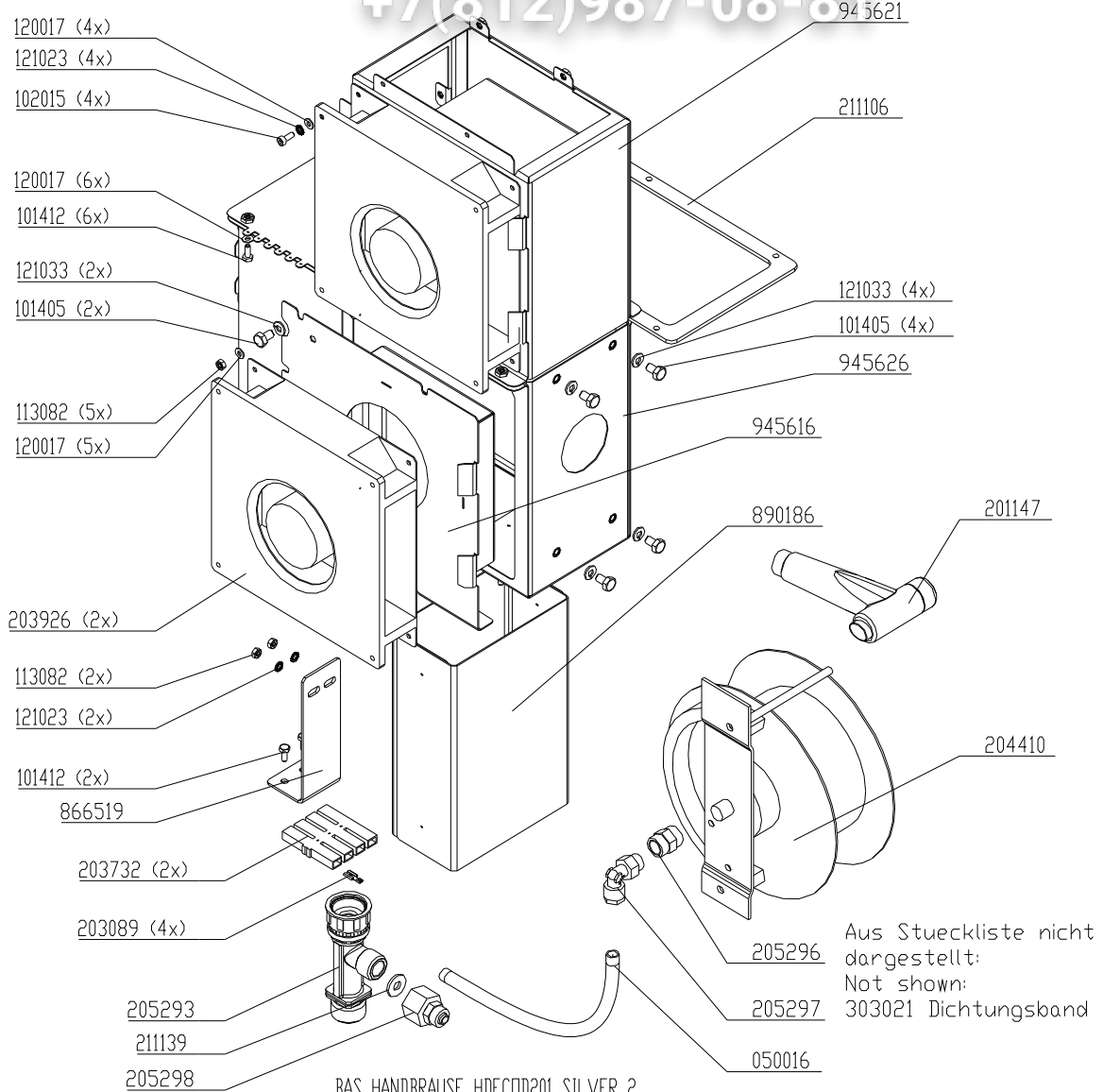
Supply air area 20.x (without hand shower) Silver2

+7(812)987-08-81



Supply air area 20.x (with hand shower) Silver2

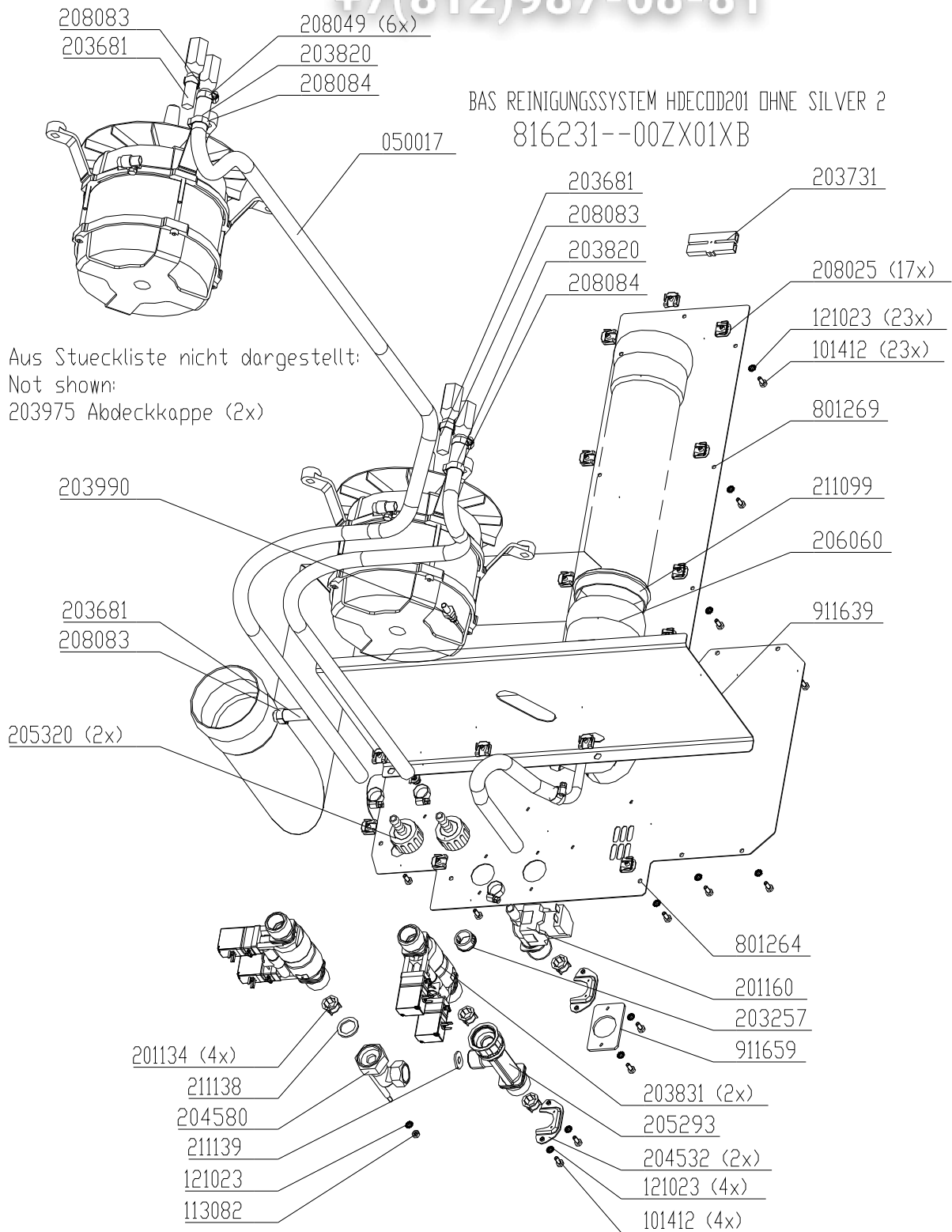
+7(812)987-08-81



BAS HANDBRAUSE HDECOD201 SILVER 2
 816386--00ZX01X-

Water assembly without WaveClean HD20.x Silver2

+7(812)987-08-81

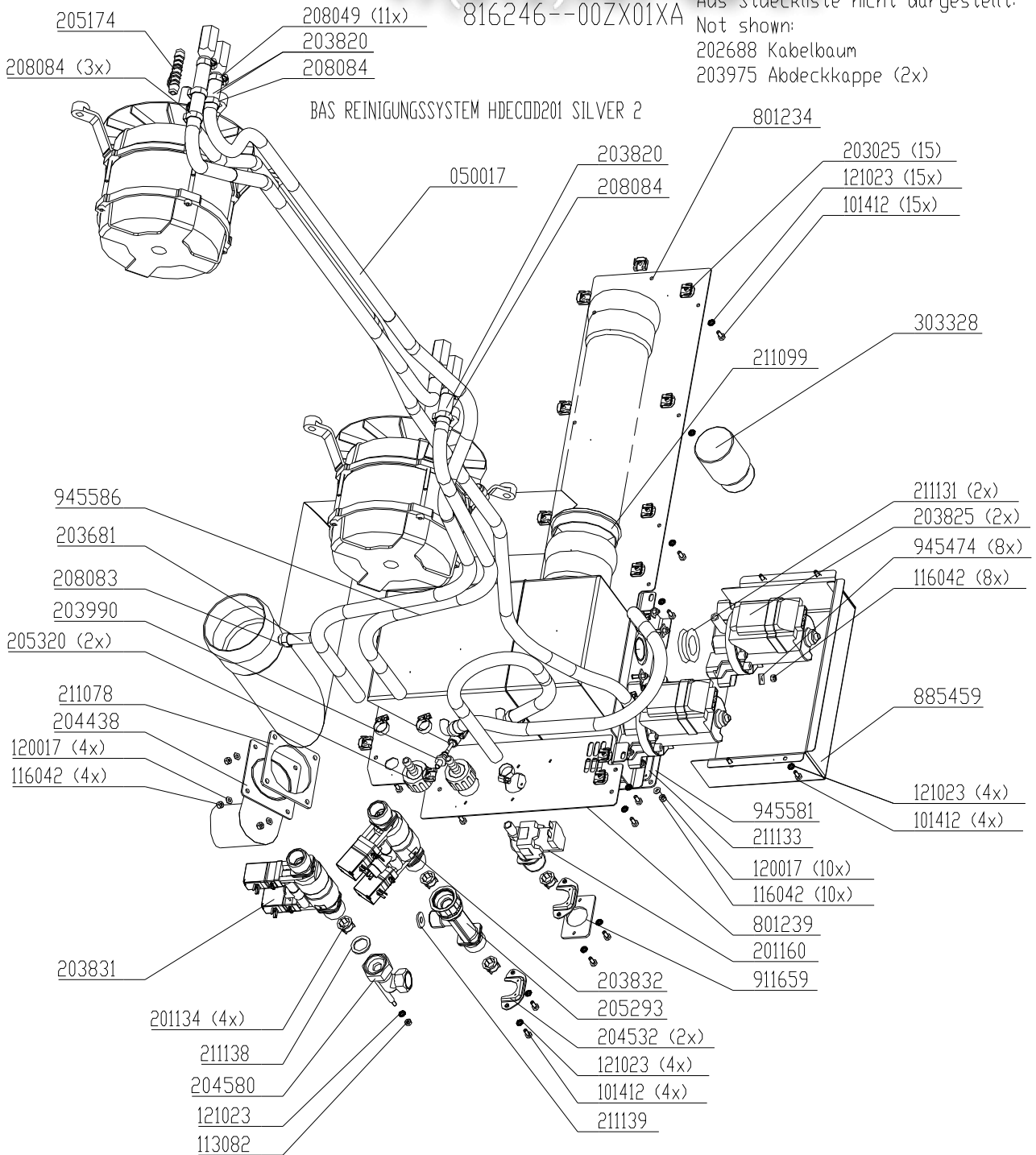


Water assembly with WaveClean 50Hz HD20.x Silver2

+7(812)987-08-81

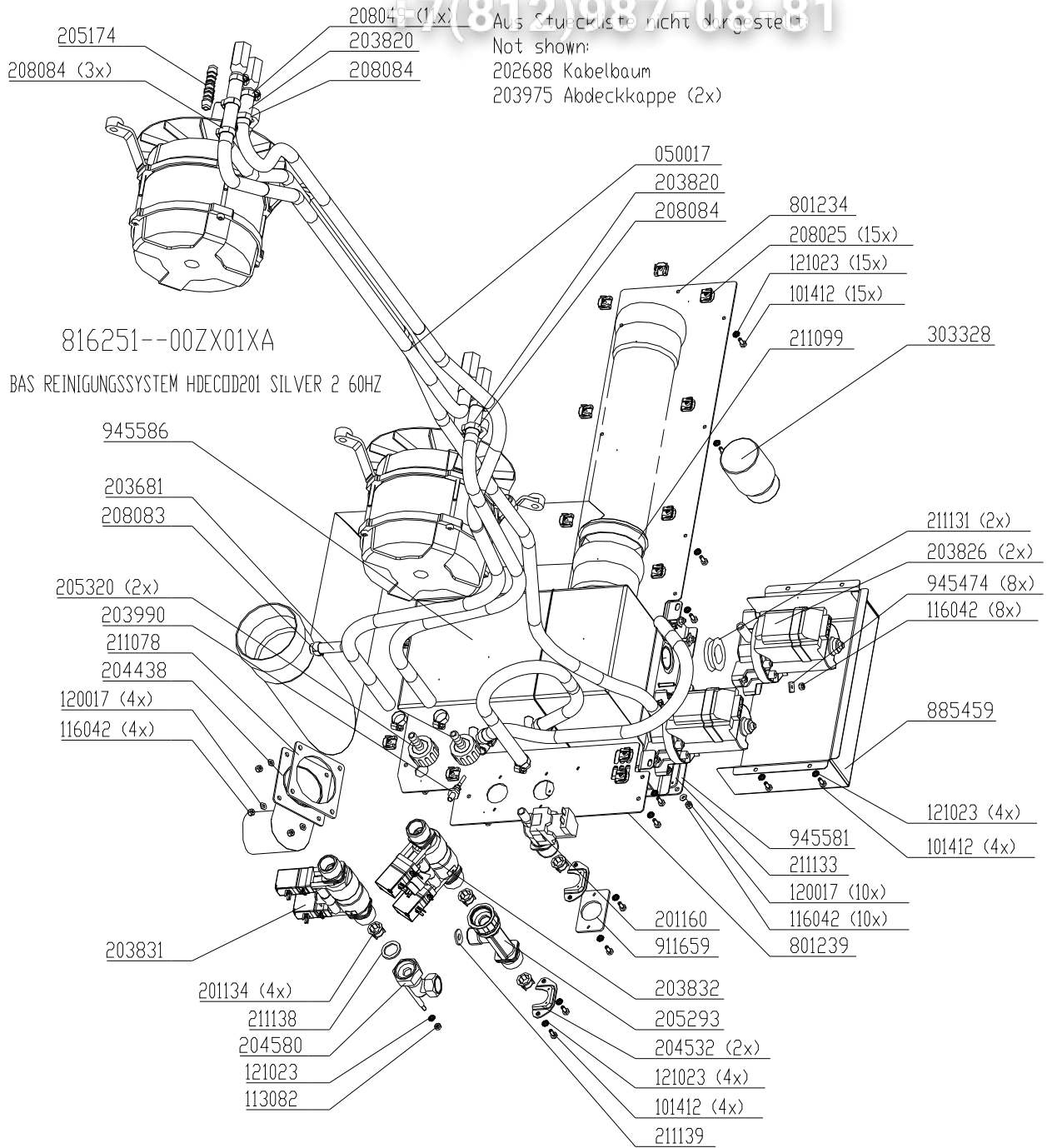
816246--00ZX01XA

Aus Stueckliste nicht dargestellt:
 Not shown:
 202688 Kabelbaum
 203975 Abdeckkappe (2x)



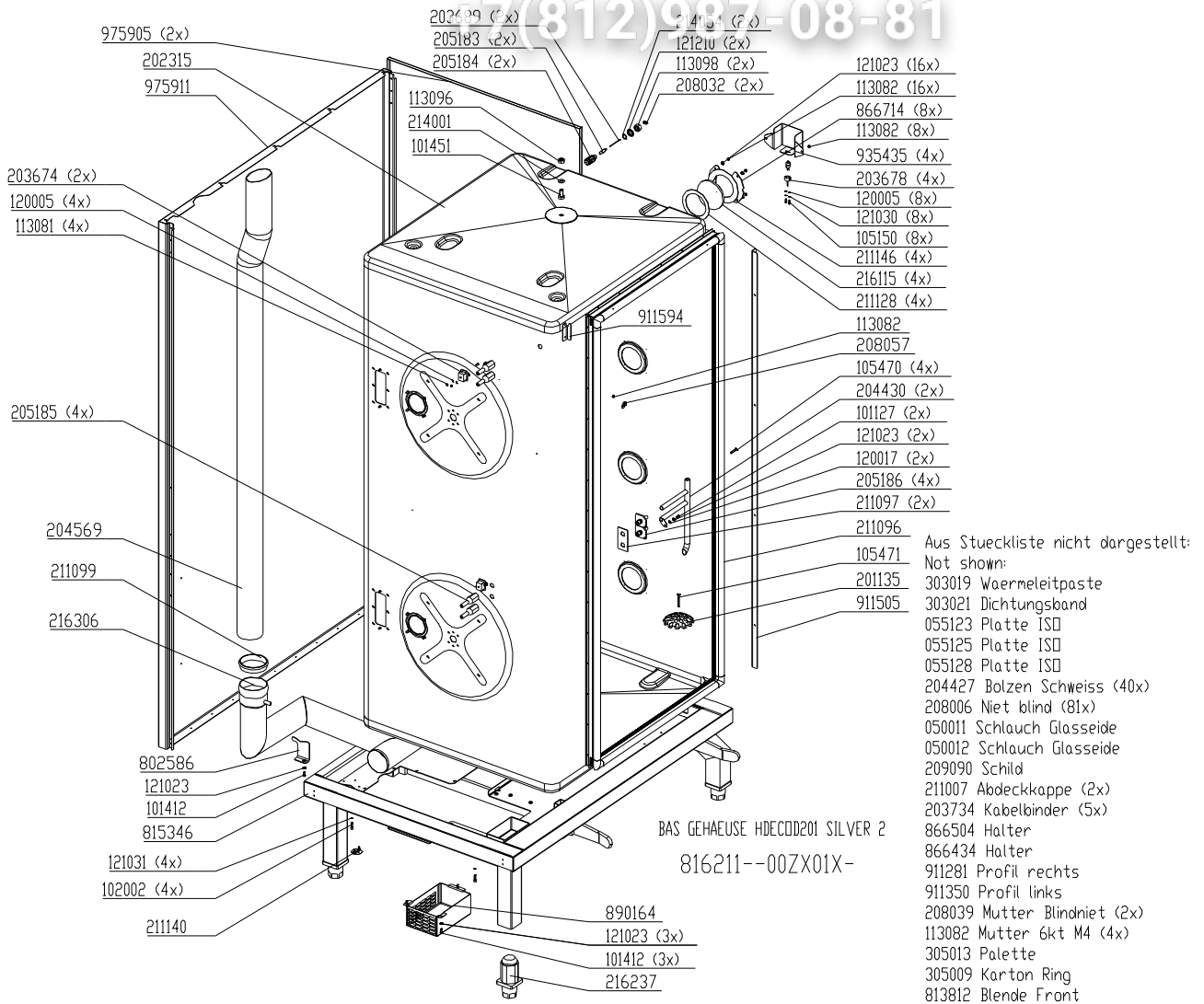
Water assembly with WaveClean 60Hz HD20.x Silver2

7(812)987-08-81



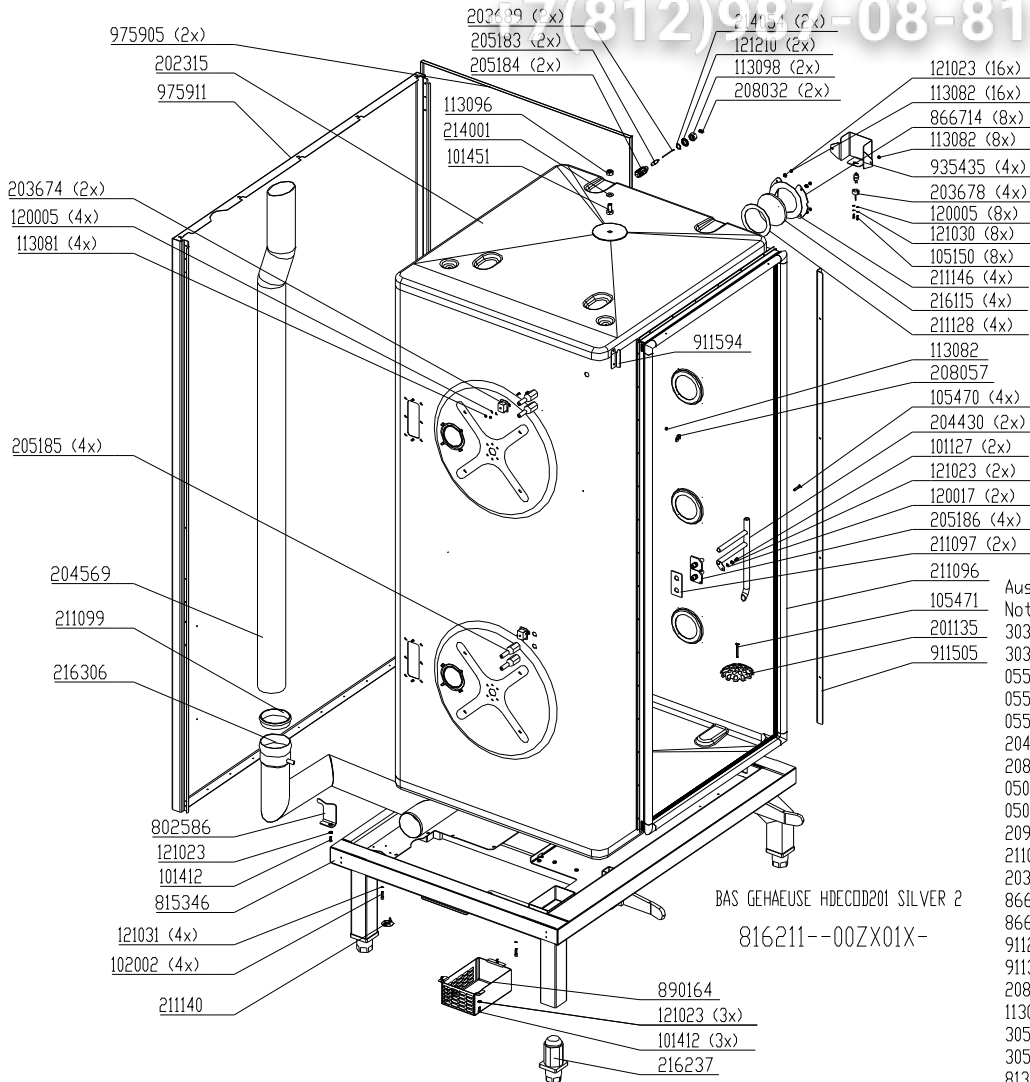
Chassis 20.x Electric Silver 2 Valid until SN 11212249 (October 2011)

7(812)987-08-81



Chassis 20.x Electric Silver 2 valid from S/N 11212250 (October 2011)

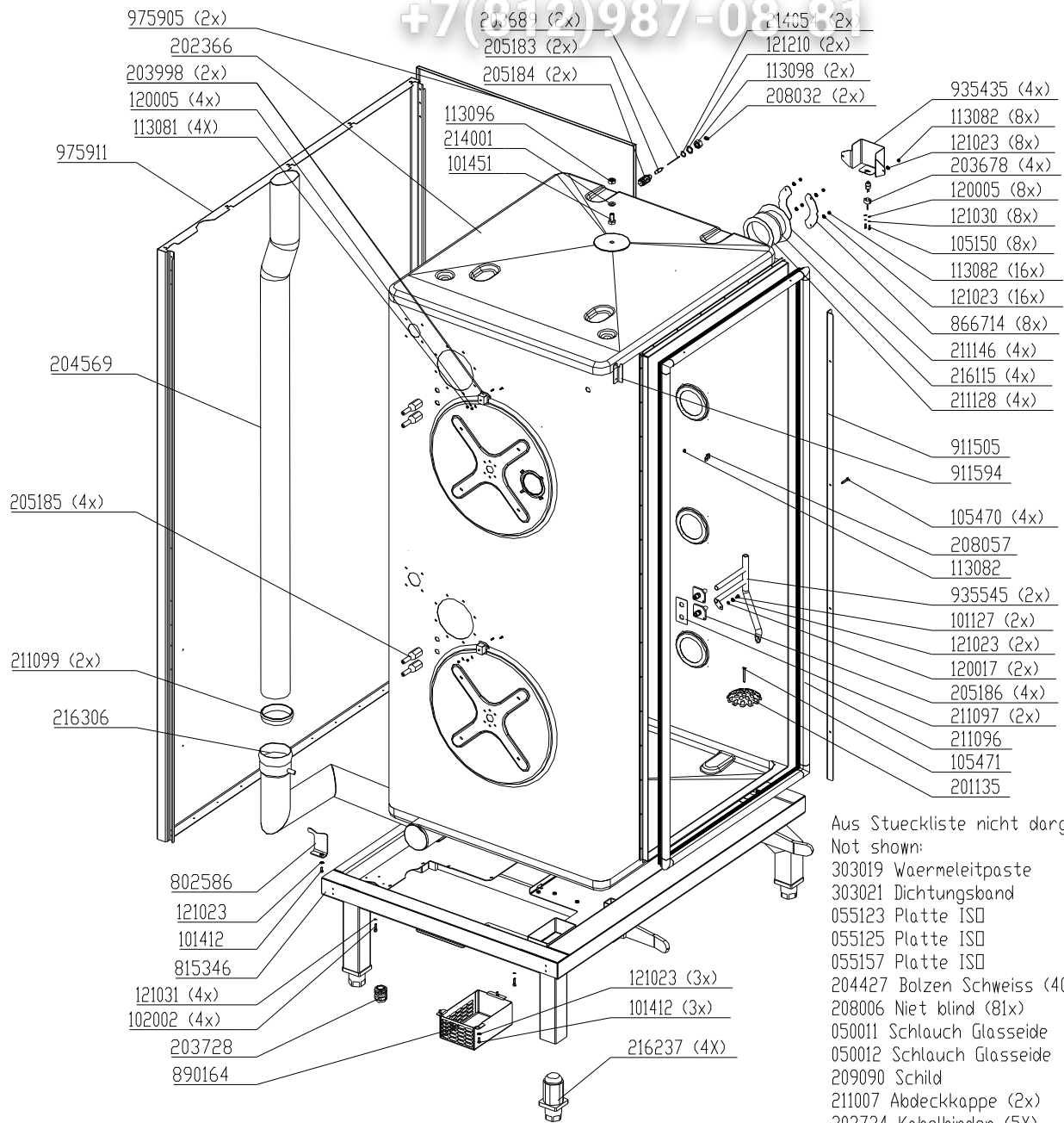
7(812)987-08-81



BAS GEHAUSE HDECDD201 SILVER 2
816211--00ZX01X-

- Aus Stueckliste nicht dargestellt:
Not shown:
- 303019 Waermeleitpaste
 - 303021 Dichtungsband
 - 055123 Platte ISO
 - 055125 Platte ISO
 - 055128 Platte ISO
 - 204427 Bolzen Schweiß (40x)
 - 208006 Niet blind (81x)
 - 050011 Schlauch Glasseide
 - 050012 Schlauch Glasseide
 - 209090 Schild
 - 211007 Abdeckkappe (2x)
 - 203734 Kabelbinder (5x)
 - 866504 Halter
 - 866434 Halter
 - 911281 Profil rechts
 - 911350 Profil links
 - 208039 Mutter Blindniet (2x)
 - 113082 Mutter Blindniet M4 (4x)
 - 305013 Palette
 - 305009 Karton Ring
 - 813812 Blende Front

Chassis 20.x Gas Silver2 Valarmil S/N 212225 (October 2011)



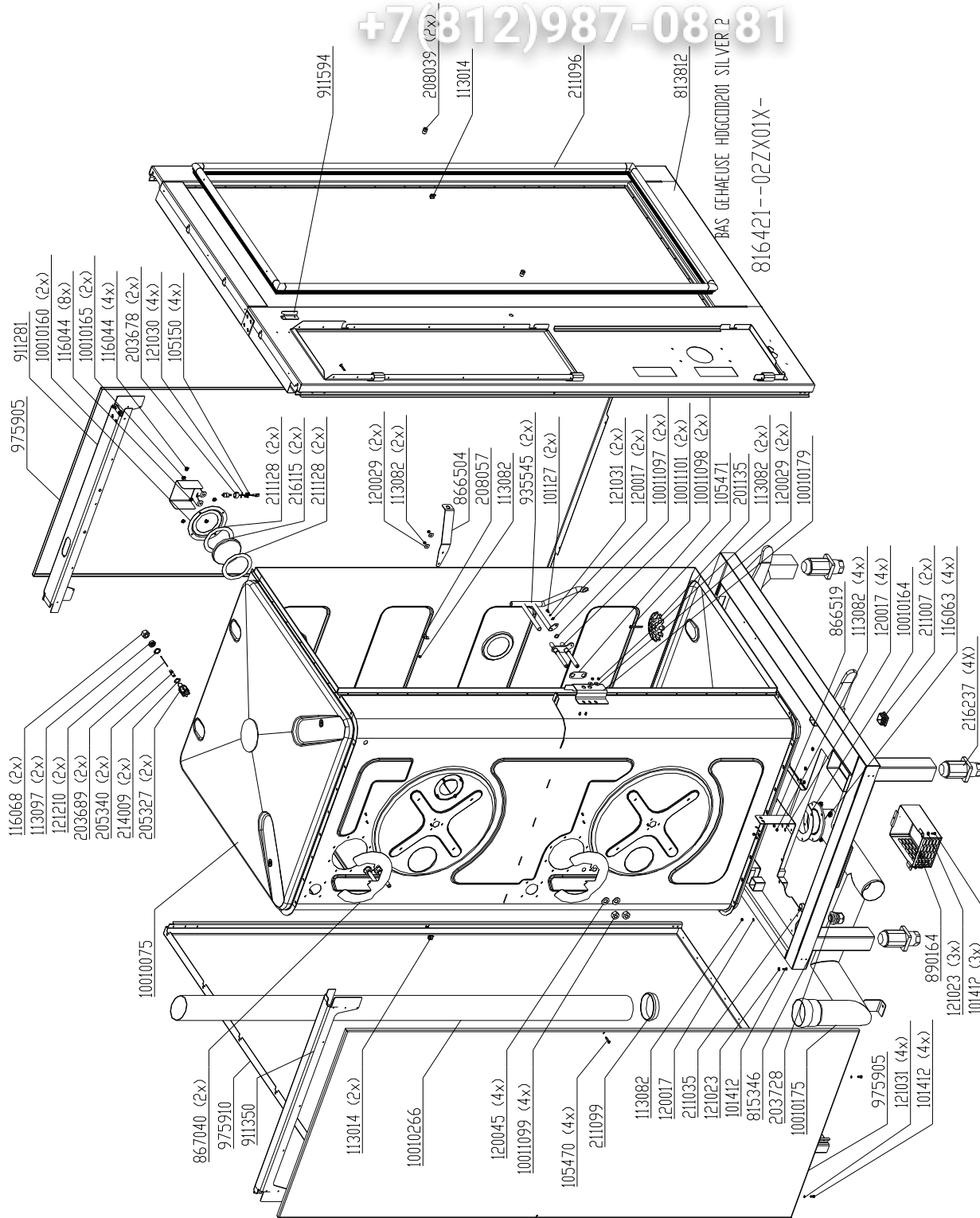
Aus Stueckliste nicht dargestellt
Not shown:

- 303019 Waermeleitpaste
- 303021 Dichtungsbund
- 055123 Platte ISO
- 055125 Platte ISO
- 055157 Platte ISO
- 204427 Bolzen Schweiss (40x)
- 208006 Niet blind (81x)
- 050011 Schlauch Glasseide
- 050012 Schlauch Glasseide
- 209090 Schild
- 211007 Abdeckkappe (2x)
- 203734 Kabelbinder (5X)
- 866504 Halter
- 866434 Halter
- 911281 Profil rechts
- 911350 Profil links
- 208039 Mutter Blindniet (2x)
- 113082 Mutter 6kt M4 (4x)
- 305013 Palette
- 305009 Karton Ring
- 813812 Blende Front

BAS GEHAEUSE HDGCCDD201 SILVER 2

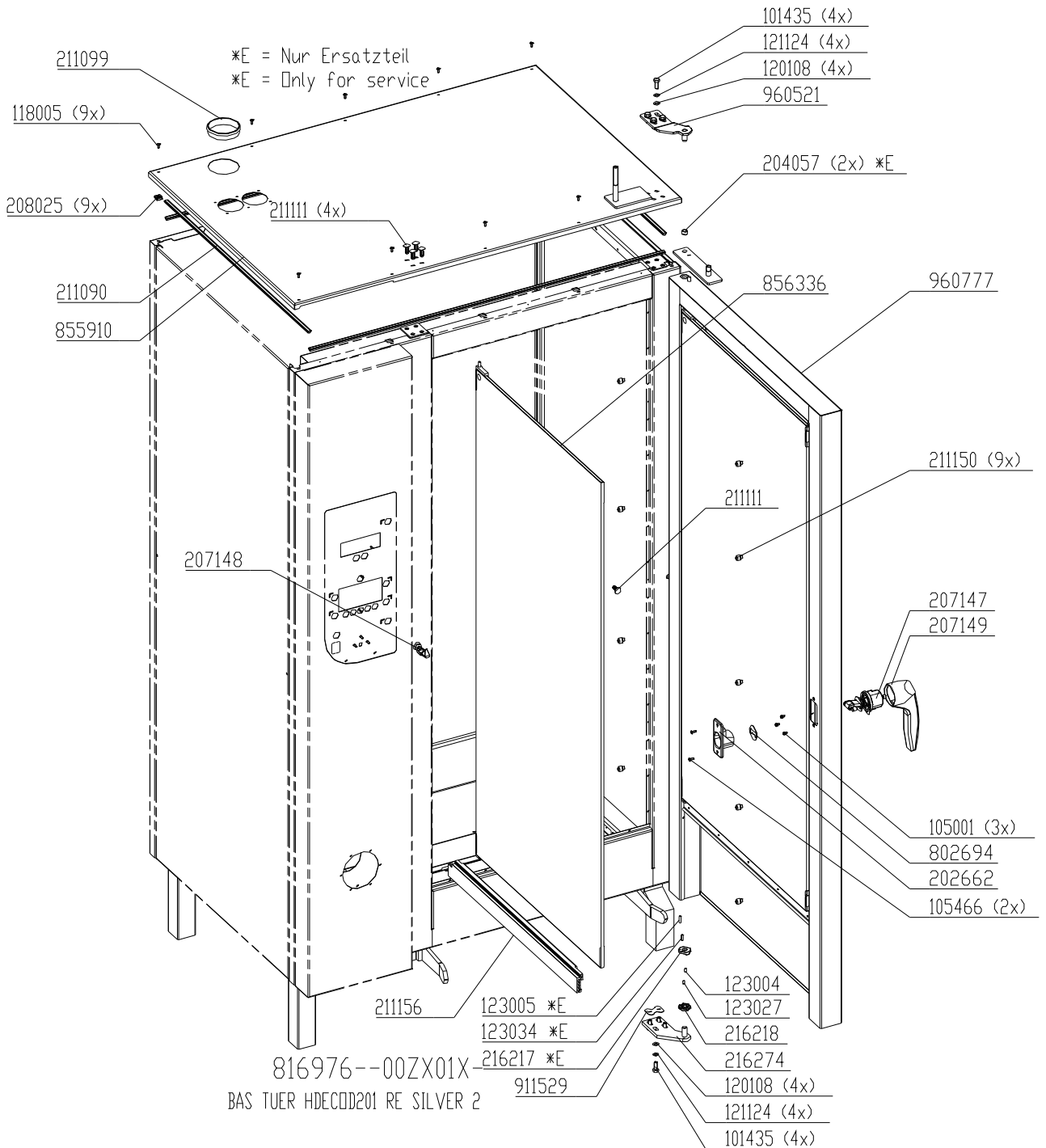
816421--00ZX01X-

Chassis 20.x Gas Silver2 Part from S/N 212226 (October 2011)

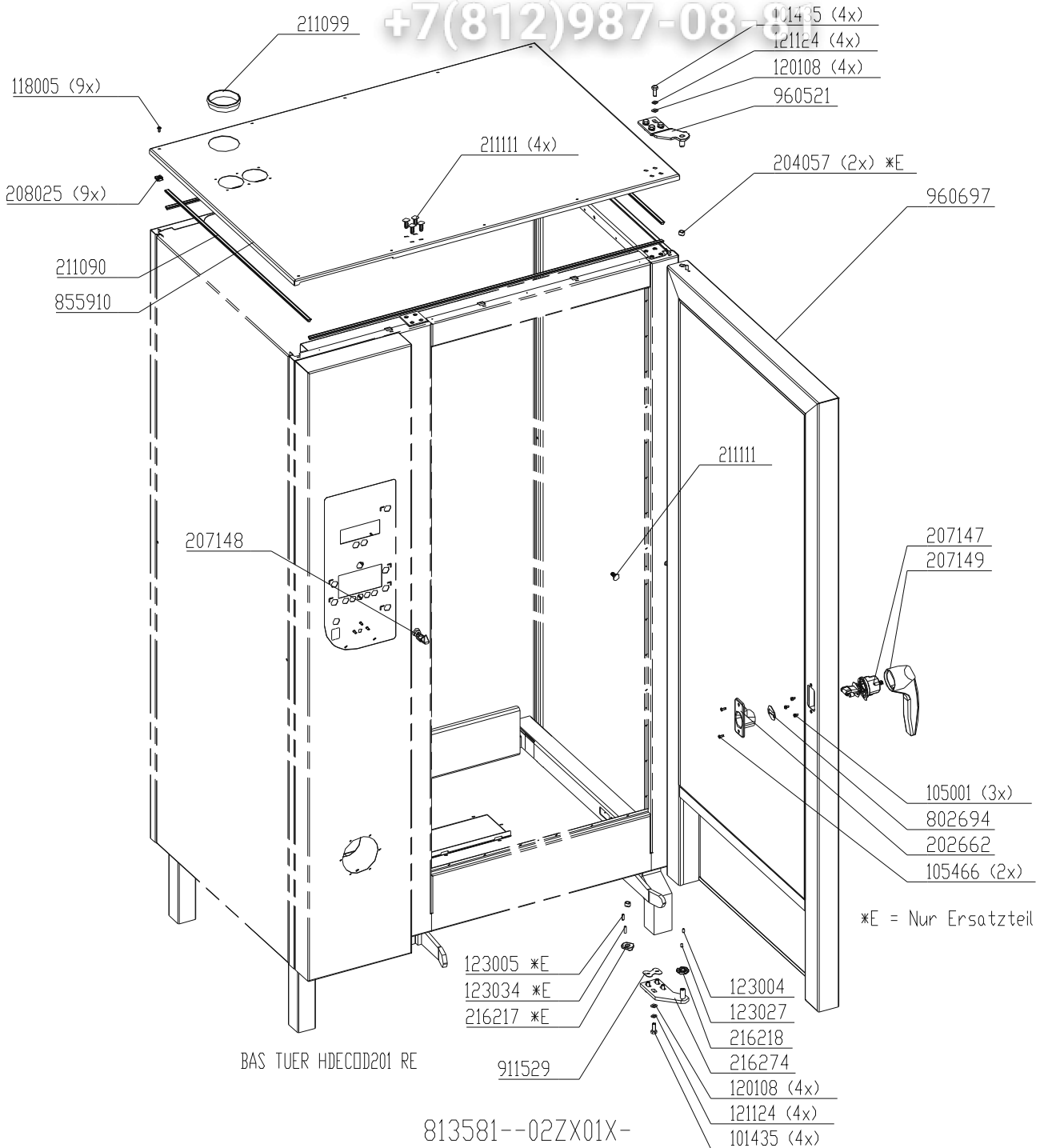


Chassis door area HD20.x electric, right hinged (double glazing)

+7(812)987-08-81

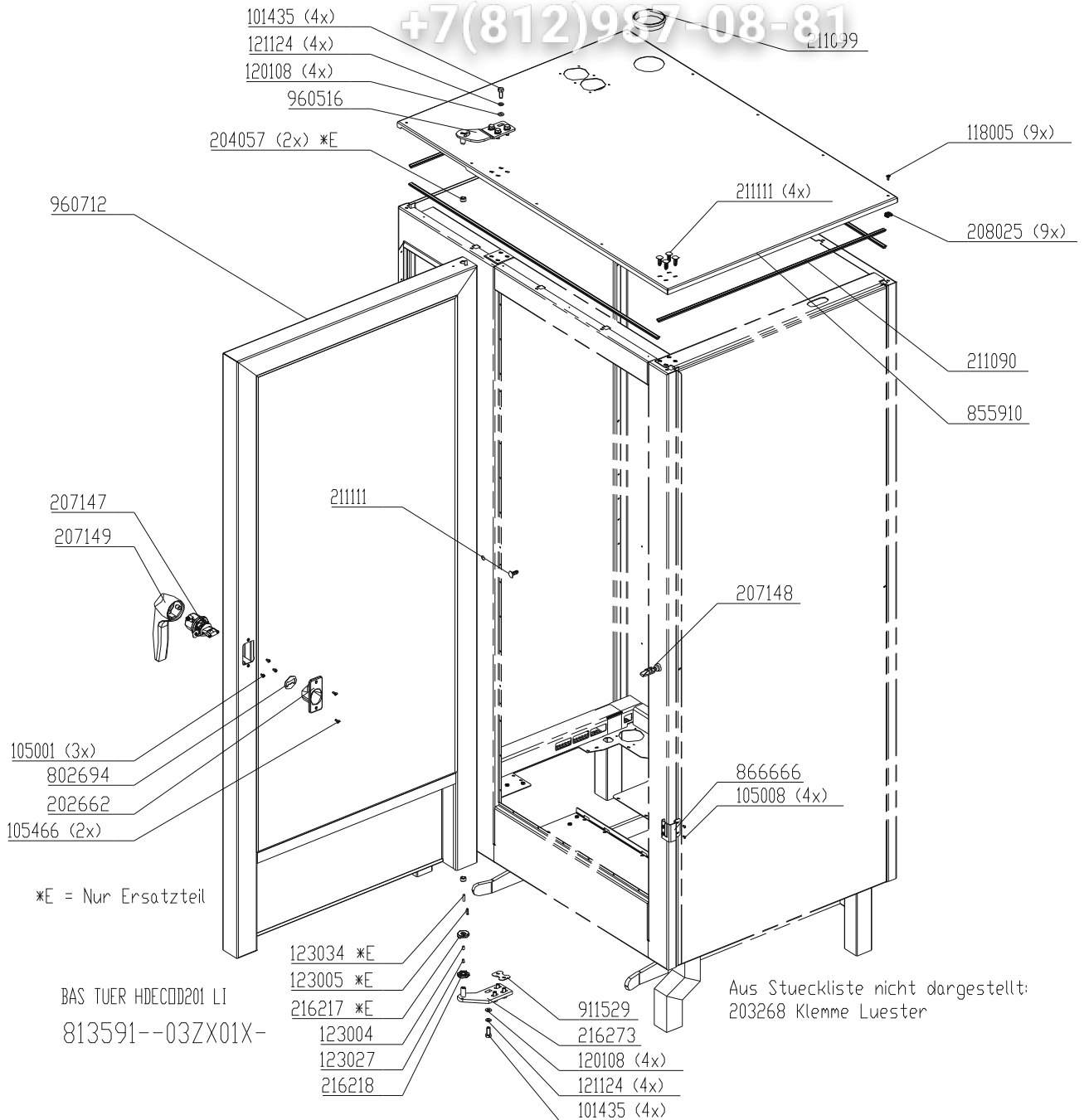


Chassis door area HD20.x, sign hard hinged (Electric)



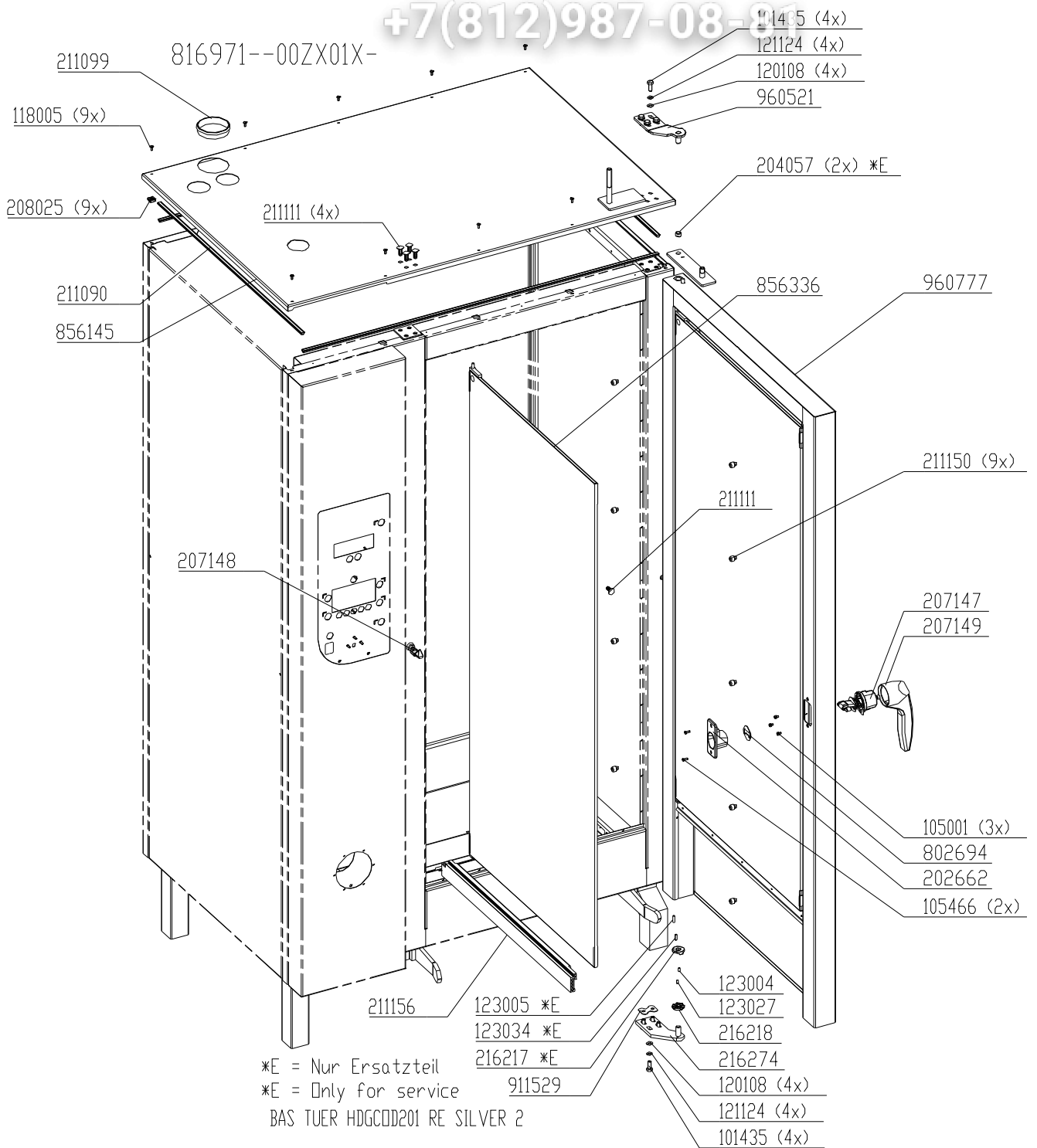
Until S/N 09021515: Profile door gasket #211104 (glued with Pactan)
From S/N 09021516: Pluggable profile door gasket #211171

Chassis door area HD20.x, left hand hinged (Electric)

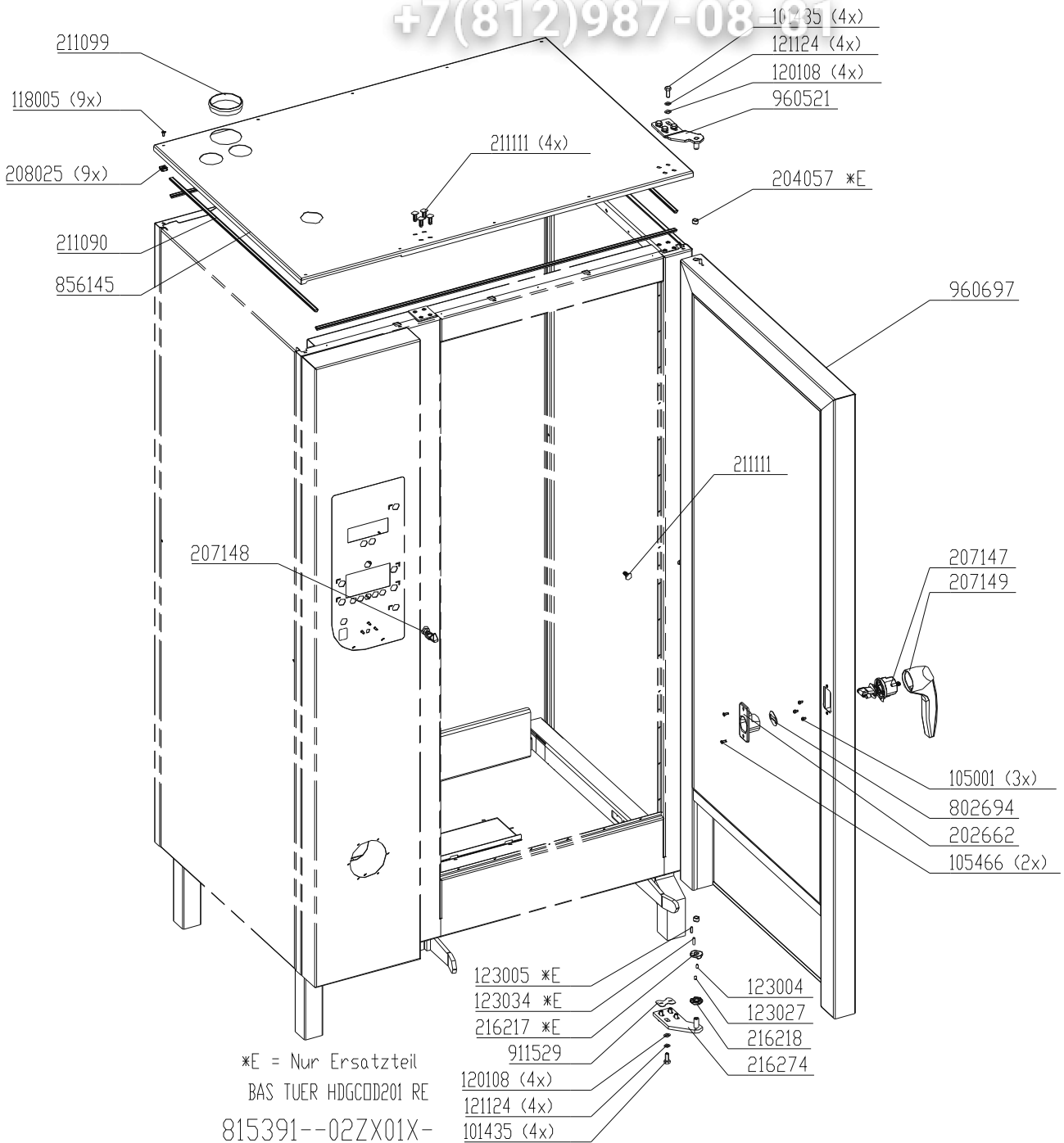


Until S/N 09021515: Profile door gasket #211104 (glued with Pactan)
From S/N 09021516: Pluggable profile door gasket #211171

Chassis door area HD20.x gas, right hinged (double glazing)

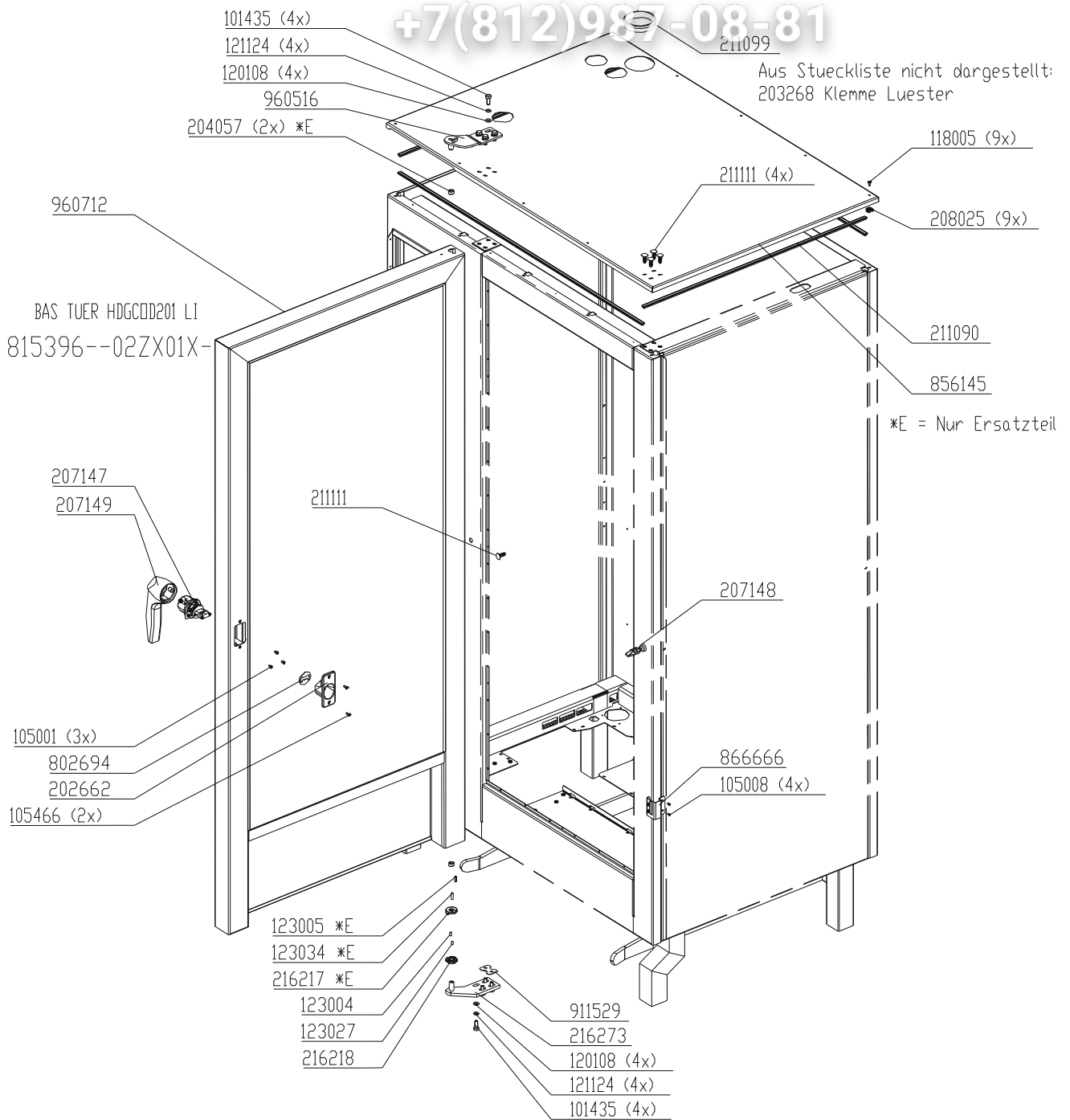


Chassis door area HD20, right hand hinged (Gas)



Until S/N 09021515: Profile door gasket #211104 (glued with Pactan)
From S/N 09021516: Pluggable profile door gasket #211171

Chassis door area HD20, left hand hinged (Gas)



Until S/N 09021515: Profile door gasket #211104 (glued with Pactan)
From S/N 09021516: Pluggable profile door gasket #211171

vsezip.ru

+7(812)987-08-81



MKN Maschinenfabrik
Kurt Neubauer GmbH & Co
Halberstädter Straße
D-38300 Wolfenbüttel
Telefon 0 53 31/ 89-0
Telefax 0 53 31/ 89-280