

Зип Общепит

SIMAG
vsezip.ru
+7(812)987-08-81

SD 18

R 134 A VERSION

**SPARE PARTS LIST
CATALOGO RICAMBI
CATALOGUE PIÈCES DÉTACHÉES
ERSATZTEILENKATALOG**

Зип Общепит

vsezip.ru

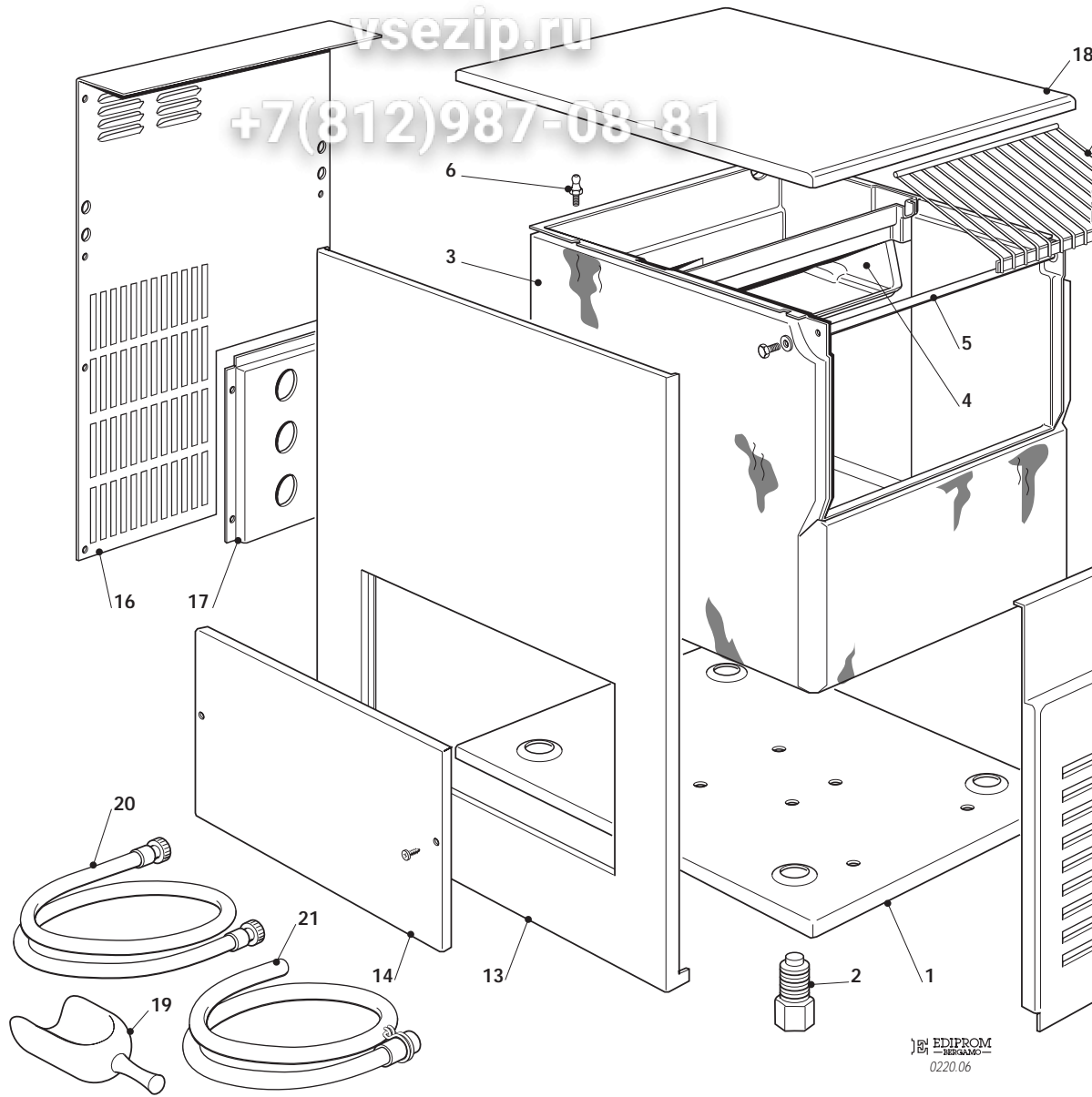
+7(812)987-08-81

PAGE PAGINA PAGE SEITE	TABLE OF CONTENTS	INDICE	TABLE DES MATIERES
1	TABLE OF CONTENTS	INDICE	TABLE DES MATIERES
2/3	UNIT PANELS	ASSIEME MOBILE	ENS. CAROSSERIE
4/5	REFRIGERANT SYSTEM AIR COOLED	SISTEMA REFRIGERANTE RAFFR. AD ARIA	CIRCUIT FRIGORIFIQUE REFROID. A AIR
6/7	WATER SYSTEM	CIRCUITO IDRAULICO	CIRCUIT HYDRAULIQUE
8/9	CONTROL BOX	SCATOLA DI CONTROLLO	BOITE ELECTRIQUE
10	COMPRESSOR AND ELECTRIC COMPONENT CHARTS	TABELLA COMPRESSORI E COMPONENTI ELETTRICI	LISTE DES COMPRESSEURS ET COMPOSANTS ELECTRIQUE

Зип-Общепит

vsezip.ru

+7(812)987-08-81



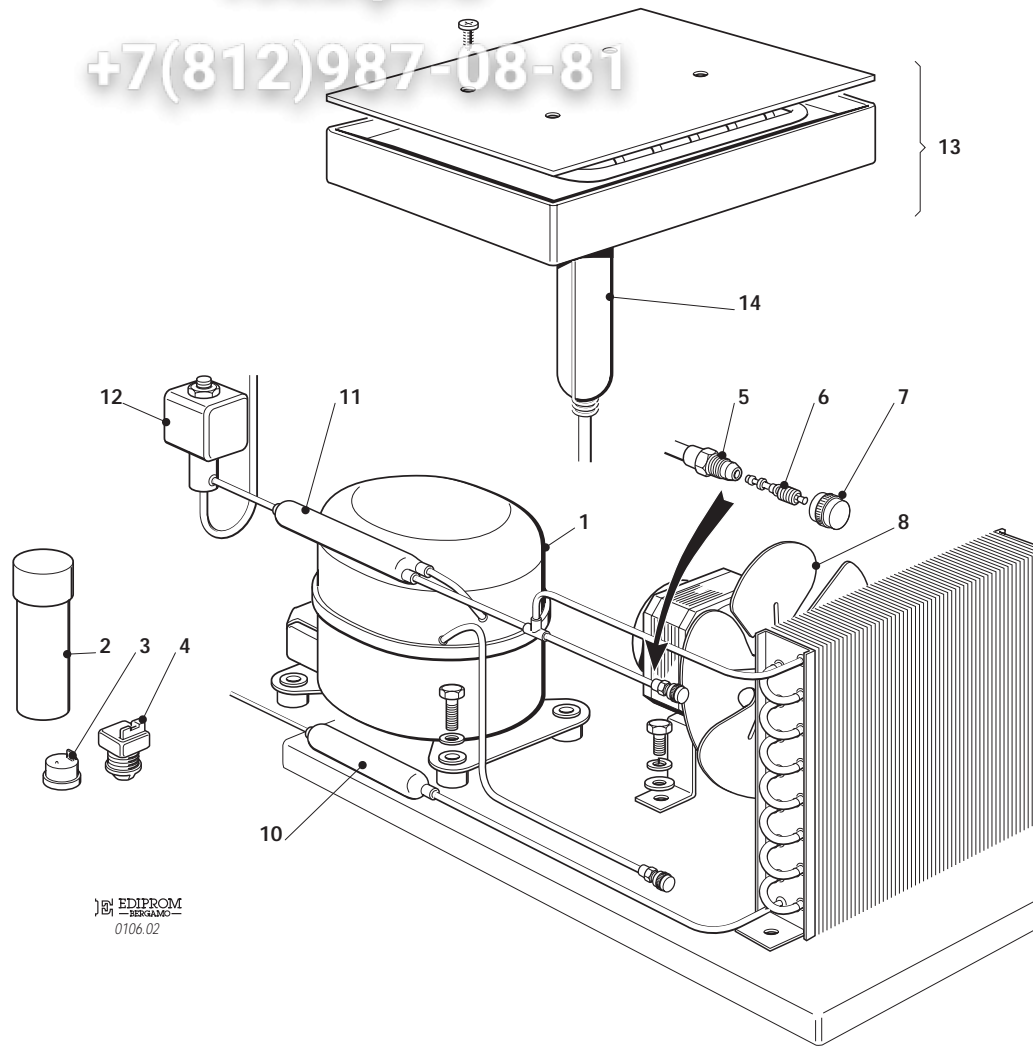
EDIPROM
0220.06

ITEM NO POS NO REP. NO REF. NO	PART NO CODICE REFERENCE STUECK NR	DESCRIPTION	DESCRIZIONE	DESIGNATION
1	702245 00	BASE	PIASTRINA DI BASE	PLAQUE DE BASE
2	650382 01	LEG	PIEDE REGOLABILE	PIED RÉGLABLE
3	782093 00R	INSULATED BIN ASSY	ASSIEME CELLA ISOLATA	ENS. CABINE
4	660627 00	EVAPORATOR HOUSING	INVOLUCRO EVAPORATORE	CHAMBRE INTERIEUR
5	732016 06	BIN DOOR BRACKET	ASTA PORTELLO	TIGE PORTE
6	650697 00	STUD	PERNO	AXE
7	650705 00	ICE DEFLECTOR	GRIGLIA SCORRIMENTO CUBETTI	GRILLE GLISSEMENT GLAÇON
8	783171 00R	CURTAIN ASSY	ASSIEME TENDINA	ENS. LAMELLE
9	660388 00	RIGHT CURTAIN SUPPORT	SUPP. TENDINA DESTRO	SUPP. LAMELLE DROITE
10	660388 01	LEFT CURTAIN SUPPORT	SUPP. TENDINA SINISTRO	SUPP. LAMELLE GAUCHE
11	721682 01	FRONT PANEL S.S.	PANNELLO ANTERIORE INOX	PANNEAU AVANT ACIER INOX
12	782092 00R	BIN DOOR	SPORTELLO	PORTE CABINE
13	060565 00	LEFT SIDE PANEL S.S.	PANNELLO SINISTRO INOX	JOUE GAUCHE ACIER INOX
14	702026 01	SERVICE PANEL	PANNELLO DI ISPEZIONE	PANNEAU DE SERVICE
15	060565 01	RIGHT SIDE PANEL S.S.	PANNELLO DESTRO INOX	JOUE DROITE ACIER INOX
16	702222 00	REAR PANEL	PANNELLO POSTERIORE	PANNEAU POSTERIEUR
17	702246 00	METAL BRACKET FOR FITTING	SUPPORTO ATTACCHI	SUPPORT DE RACCORDS
18	781405 00 R	TOP PANEL S.S.	PANNELLO SUPERIORE INOX	ENS. COUVERCLE
19	650071 00	ICE SCOOP	SESSOLA	SASSE
20	060513 00	KIT WATER SUPPLY PIPE	KIT TUBO ALIM. ACQUA	KIT TUYAU D'ALIM. EAU
21	060513 01	KIT WATER DRAIN PIPE	KIT TUBO SCARICO ACQUA	KIT TUYAU VIDANGE EAU
22	660717 00	PLASTIC HOUSING	ALLOGGIAMENTO TERM.	ENCADREMENT THER.
23	660715 00	PLASTIC COVER	COPERCHIO	COUVERCLE
24	660716 00	PLASTIC KNOB	MANOPOLA	POIGNE

Зип-Общепит

vsezip.ru

+7(812)987-08-81



EDIPROM
—
0106.02

Зип-Общепит

SD 18 - REFRIGERANT SYSTEM AIR COOLED - SISTEMA REFRIGERANTE RAFFREDDAMENTO
CIRCUIT FRIGORIFIQUE REFROID. PAR AIR - LUFTGEKÜHLT GEFRIERSYSTEM

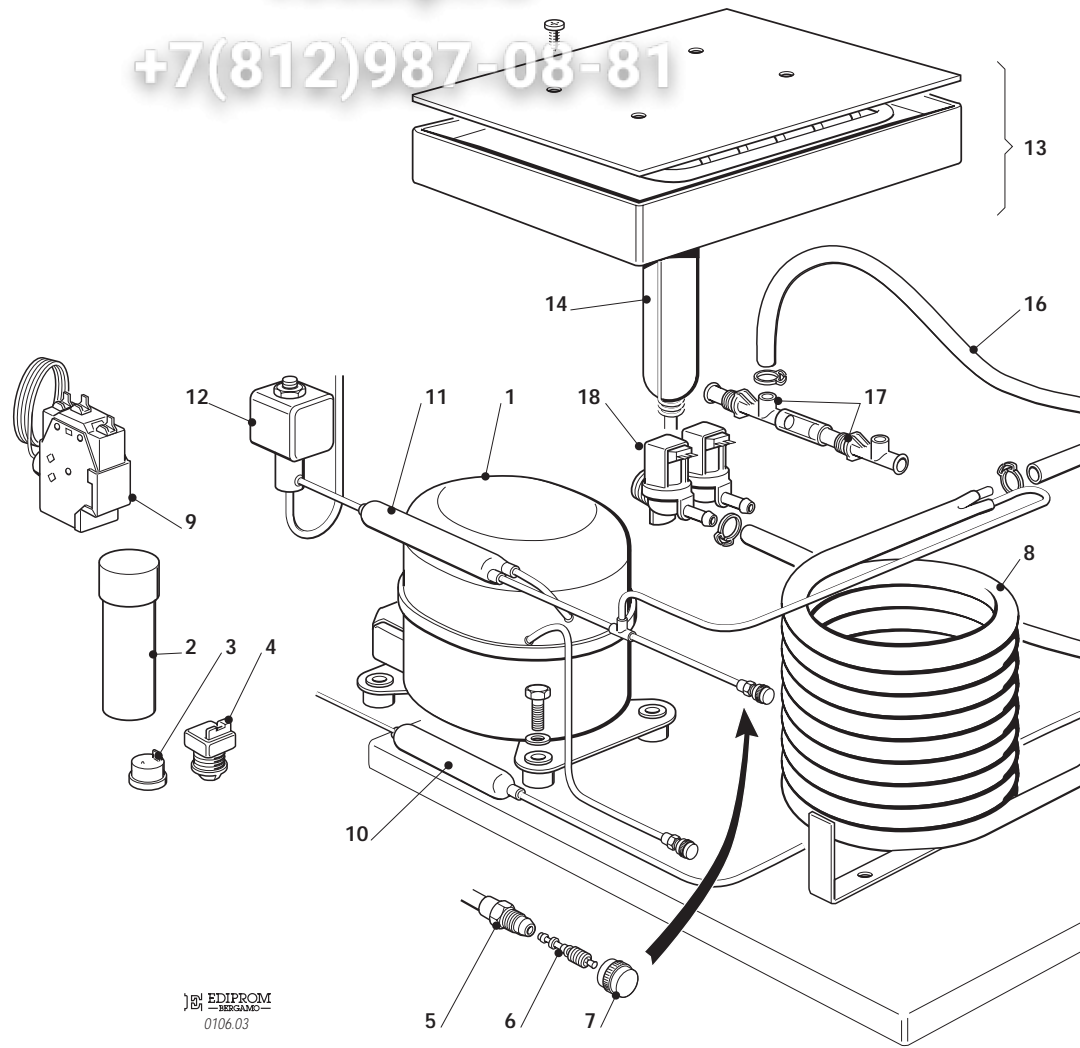
vsezip.ru

ITEM NO POS NO REP. NO REF. NO	PART NO CODICE REFERENCE STUECK NR	DESCRIPTION	DESCRIZIONE	DESIGNATION
1	670100 02	COMPRESSOR	COMPRESSORE	COMPRESSEUR
2	620167 29	START CAPACITOR	CONDENSATORE D'AVVIAMENTO	CAPACITE DE DEMARRAGE
3	620058 88	PROTECTOR	PROTETTORE	PROTECTEUR
4	620057 57	RELAY	RELE'	RELAIS
5	650109 00	VALVE BODY	CORPO VALVOLA	CORPS DE VANNE
6	670012 00	VALVE PISTON	PISTONCINO VALVOLA	PISTON
7	650106 00	VALVE CAP	CAPPUCCIO VALVOLA	CAPUCHON DE VANNE
8	620419 02 620419 32	FAN MOTOR FAN BLADE	MOTOVENTILATORE VENTOLA	MOTO-VENTILATEUR HELICE
9	620285 00	AIR COOLED CONDENSER	CONDENSATORE AD ARIA	CONDENSEUR
10	630003 05	DRIER	FILTRO DEUMIDIFICATORE	FILTRE DESHYDRATEUR
11	630020 01	MECHANICAL FILTER	FILTRO MECCANICO	FILTRE MECANIQUE
12	620306 48 620306 14	HOT GAS VALVE COIL HOT GAS VALVE BODY	BOBINA VALVOLA GAS CALDO CORPO VALVOLA GAS CALDO	BOBINE VANNE GAZ CHAUD CORP VANNE GAZ CHAUD
13	784572 00	EVAPORATOR ASSY	ASSIEME EVAPORATORE	ENS. EVAPORATEUR
14	784444 07	ACCUMULATOR ASSY	ASSIEME ACCUMULATORE	ENS. ACCUMULATEUR

Зип-Общепит

vsezip.ru

+7(812)987-08-81



EDIPROM
БЕЛТАС
0106.03

Зип-Общепит

SD 18 - REFRIGERANT SYSTEM WATER COOLED - SISTEMA REFRIGERANTE RAFFRESCAMENTO
 CIRCUIT FRIGORIFIQUE REFROID. PAR EAU - WASSERGEKÜHLT GEFRIERSYSTEM

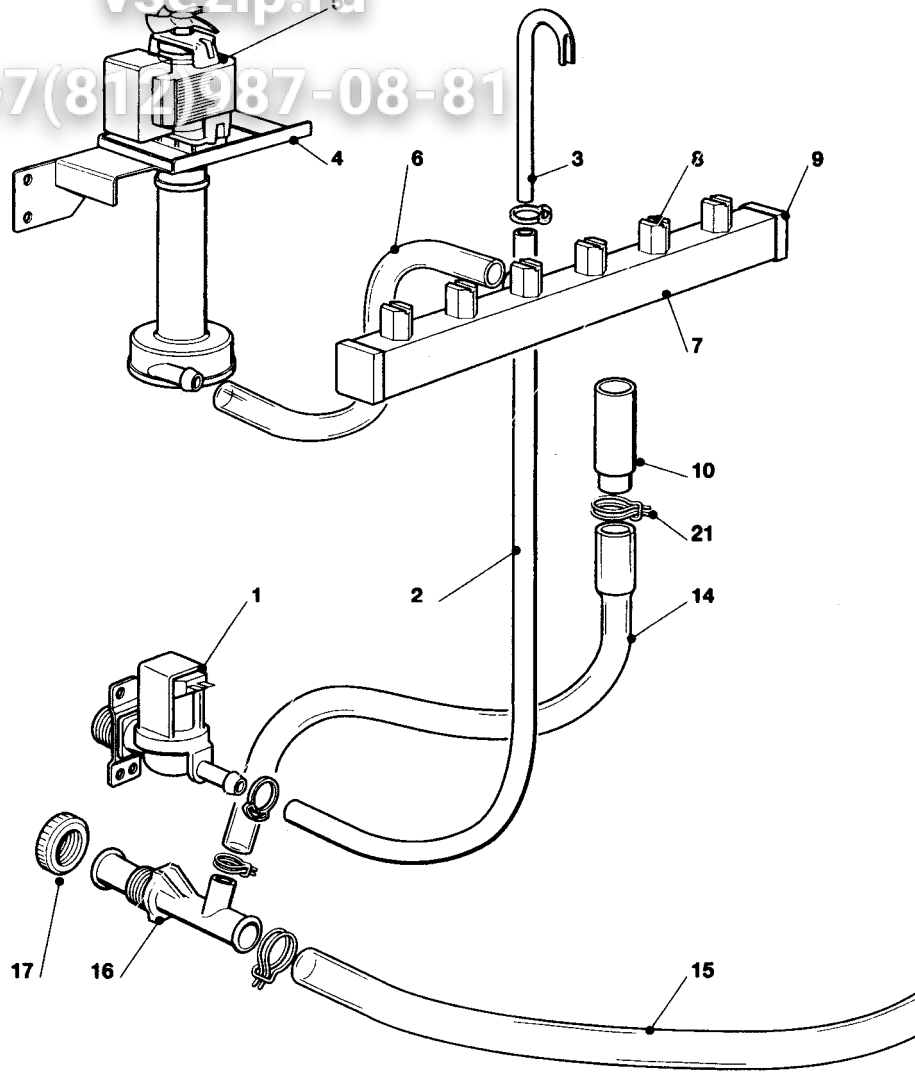
vsezip.ru

ITEM NO POS NO REP. NO REF. NO	PART NO CODICE REFERENCE STUECK NR	DESCRIPTION	DESCRIZIONE	DESIGNATION
1	670100 02	COMPRESSOR	COMPRESSORE	COMPRESSEUR
2	620167 29	START CAPACITOR	CONDENSATORE D'AVVIAMENTO	CAPACITE DE DEMARRAGE
3	620058 88	PROTECTOR	PROTETTORE	PROTECTEUR
4	620057 57	RELAY	RELE'	RELAIS
5	650109 00	VALVE BODY	CORPO VALVOLA	CORPS DE VANNE
6	670012 00	VALVE PISTON	PISTONCINO VALVOLA	PISTON
7	650106 00	VALVE CAP	CAPPUCCIO VALVOLA	CAPUCHON DE VANNE
8	620389 02	WATER COOLED CONDENSER	CONDENSATORE ACQUA	CONDENSEUR A EAU
9	620075 05	PRESSURE CONTROL	PRESSOSTATO	PRESSOSTAT
10	630003 05	DRIER	FILTRO DEUMIDIFICATORE	FILTRE DESHYDRATEUR
11	630020 01	MECHANICAL FILTER	FILTRO MECCANICO	FILTRE MECANIQUE
12	620306 48 620306 14	HOT GAS VALVE COIL HOT GAS VALVE BODY	BOBINA VALVOLA GAS CALDO CORPO VALVOLA GAS CALDO	BOBINE VANNE GAZ CHAUD CORP VANNE GAZ CHAUD
13	784572 00	EVAPORATOR	EVAPORATORE	EVAPORATEUR
14	784444 07	ACCUMULATOR ASSY	ASSIEME ACCUMULATORE	ENS. ACCUMULATEUR
15	281900 01	PLASTIC TUBE - PER METER	TUBO PVC - PER METRO	TUYAU EN PLASTIQUE - PO
16	281900 01	PLASTIC TUBE - PER METER	TUBO PVC - PER METRO	TUYAU EN PLASTIQUE - PO
17	660224 00	WATER DRAIN FITTING	RACCORDO SCARICO ACQUA	RACCORD EVACUATION EA
18	650105 51	WATER INLET VALVE	ELETTRIVALVOLA DOPPIA	VANNE ARRIVÉE EAU

Зип-Общепит

vsezip.ru

+7(812)987-08-81



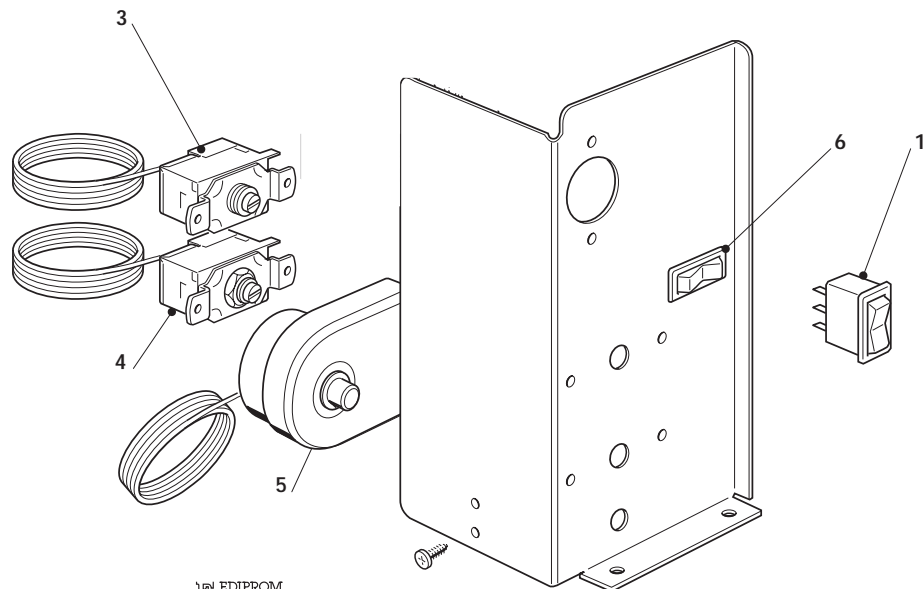
SD 18 - WATER SYSTEM - CIRCUITO IDRAULICO - CIRCUIT HYDRAULIQUE - WASSERANLAGEN

ITEM NO POS NO REP. NO REF. NO	PART NO CODICE REFERENCE STUECK NR	DESCRIPTION	DESCRIZIONE	DESIGNATION
1	650105 50 650105 51	WATER INLET VALVE - AIR COOLED WATER INLET VALVE - WATER COOLED	ELETTROVALVOLA INGR. ACQUA ELETTROVALVOLA DOPPIA	ELECTROVANNE ARR. EAU - R ELECTROVANNE ARR. EAU - R
2	281900 01	PLASTIC TUBE - PER METER	TUBO INGRESSO ACQUA	TUYAU EN PLASTIQUE - PO
3	734683 00	WATER INLET COPPER PIPE	TUBO RAME INGR. ACQUA	TUYAU ENTREE EAU CUIVR
4	724331 00	METAL BRACKET	SUPPORTO POMPA INOX	SUPPORT METALLIQUE
5	620433 00	WATER PUMP	POMPA	POMPE A EAU
6	610150 03	PUMP INLET WATER PIPE	TUBO MANDATA POMPA	TUYAU DE REFOULEMENT
7	650665 18	SPRAY BAR	TUBO SPRUZZATORE	COLLECTEUR
8	660558 00	SPRAY JET	SPRUZZATORI	GICLEURS
9	660557 00	PLUG	UGELLO SPRUZZATORE	BOUCHON POUR COLLECT
10	281720 08	OVERFLOW STAND PIPE	TUBO DI TROPPO PIENO	TROP PLEIN
11	660219 01	DRAIN FITTING	SCARICO CELLA	TUYAU EVACUATION
12	640134 00	O-RING	O-RING	JOINT TORIQUE
13	660211 01	DRAIN FILTER	FILTRO SCARICO CELLA	FILTRE CABINE STOCKAGE
14	610191 00	OVERFLOW DRAIN TUBE	TUBO SCARICO TROPPO PIENO	TUYAU VIDANGE TROP PLA
15	610148 10	STORAGE BIN DRAIN TUBE	TUBO SCARICO CONTENITORE	TUYAU VIDANGE CONTENE
16	660224 00	WATER DRAIN FITTING	RACCORDO A "T"	RACCORD EVACUATION EA
17	660535 00	PLASTIC RING NUT	GHIERA	COLLIER DE SERRAGE EN
21	650499 00	METAL CLAMP	FASCETTA STRINGITUBO	COLLIER METALLIQUE

Зип Ощепит

vsezip.ru

+7(812)987-08-81



EDIPROM
0106.04

SD 18 - COMPRESSOR CHART - TABELLA COMPRESSORI - TABLEAU COMPRESSEURS - KOMPRESSOR

vsezip.ru

+7 (815) 987-0000

MODEL MODELLO MODELE MODELL	VOLTS VOLTAGGIO TENSION SPANNUNG	COMPRESSOR MODEL MODELLO COMPRESSORE TYPE DU COMPRESSEUR KOMPRESSORTYP	COMPRESSOR ASSY ASS. COMPRESSORE ENS. COMPRESSEUR WIR. KOMPRESSOR	RELAY RELE RELAIS RELAIS
SD 18	115/60/1	-	-	-
SD 18	230/60/1	-	-	-
SD 18	230/50/1	GL 45 TB	670100 02	620057 57

SD 18 - ELECTRIC COMPONENTS CHART - TABELLA COMPONENTI ELETTRICI
TABLEAU COMPOSANTS ELECTRIQUE - ELEKTRISCHEKARTE

MODEL MODELLO MODELE MODELL	VOLTS TENSIONE TENSION SPANNUNG	WATER PUMP POMPA POMPE A EAU WASSER PUMPE	FAN MOTOR ONLY MOTORE VENTILATORE MOTEUR VENTILATEUR LUFTER MOTOR	WATER INLET VALVE VALVOLA INGR. ACQUA V.E.M. ARRIVEE' EAU WASSEREIN. VENTIL
SD 18	115/60/1	-	-	-
SD 18	230/60/1	-	-	-
SD18	230/50/1	620433 00	620419 02	650105 50