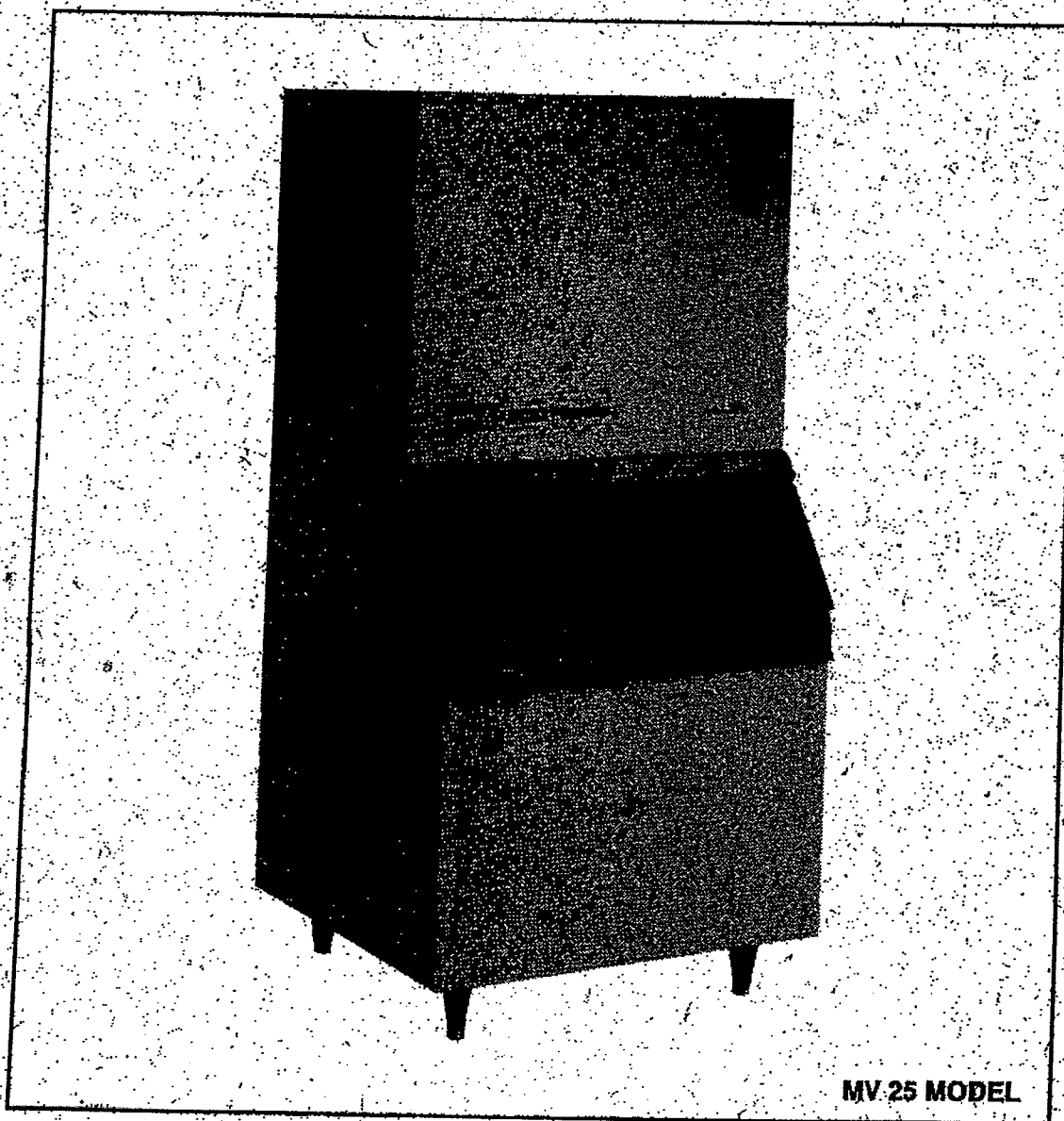


Зип Общепит  
vsezip.ru  
+7 (812) 987-08-81

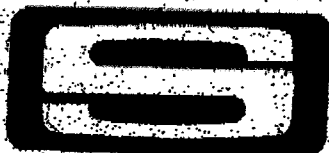
# MV 18 - MV 25

## R 22 - VERSIONS

Spare parts list  
Catalogo ricambi  
Catalogues pièces détachées  
Ersatzteilkatalog



MV 25 MODEL



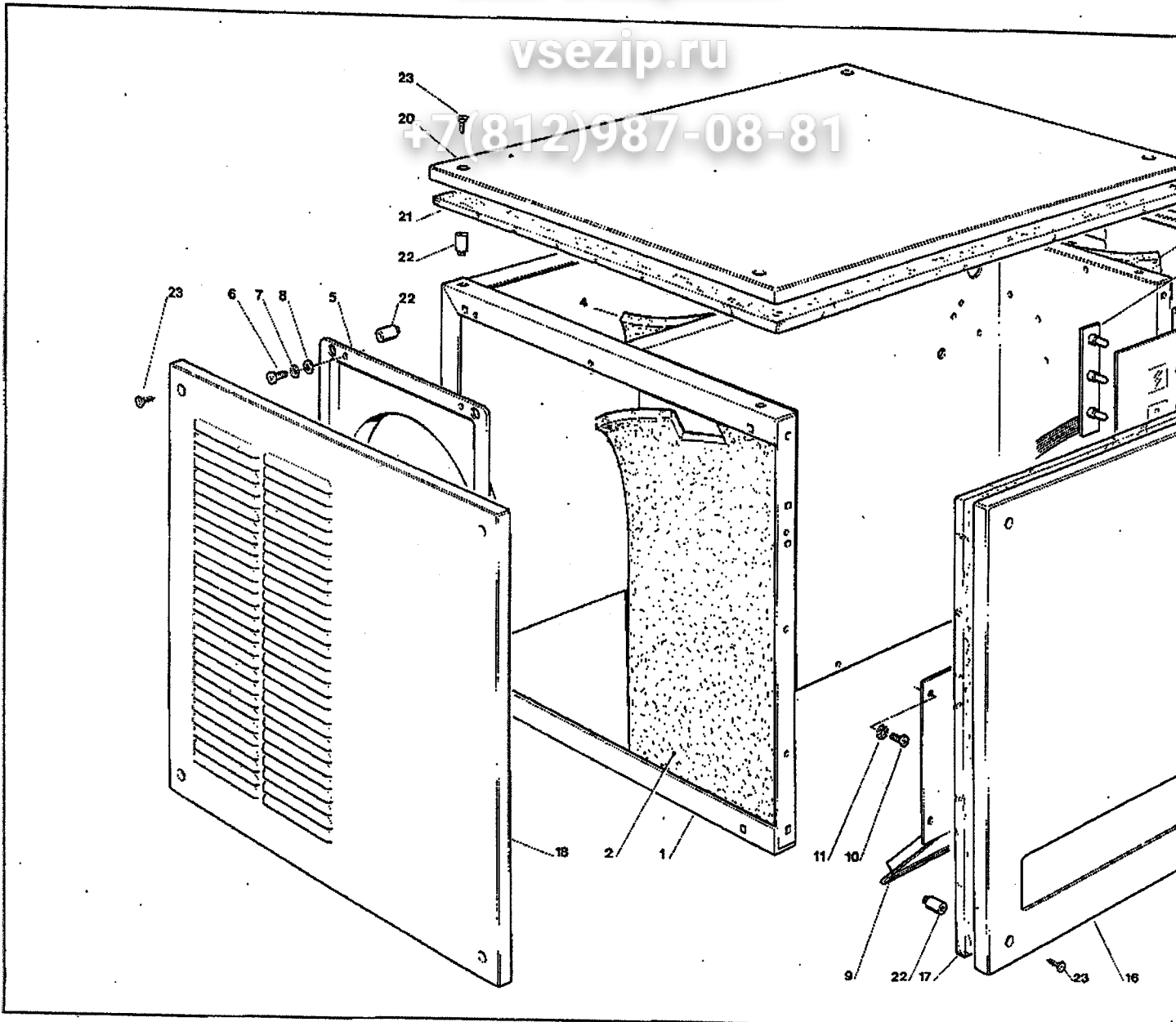
**SCOTSMAN®**

**ICE SYSTEMS**

Зип Общепит

vsezip.ru

+7(812)987-08-81



Зип-Общепит  
vsezip.ru  
(812)987-08-81

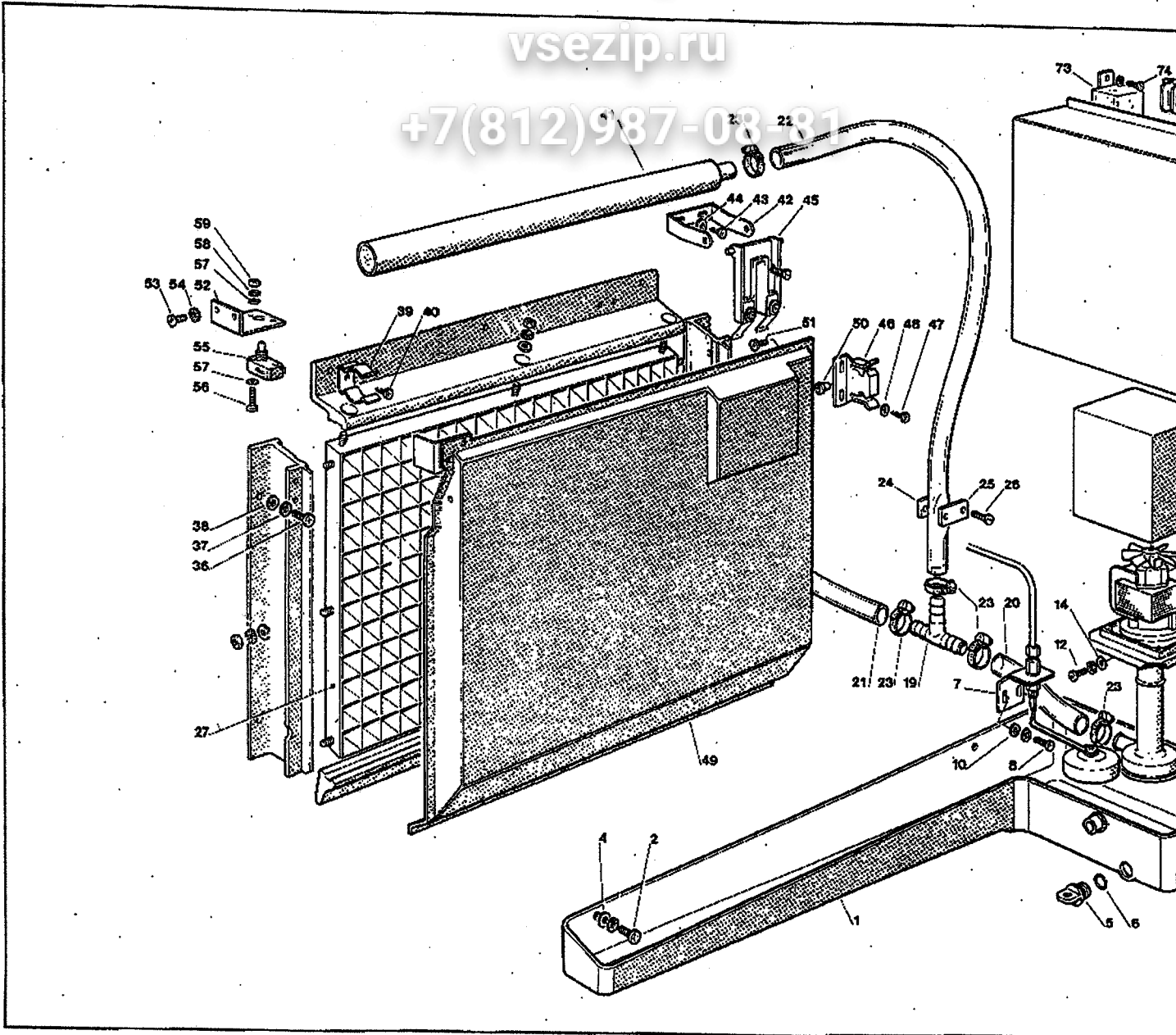
## MV 18 - MV 25 - CABINET ASSEMBLY - ASSIEME MOBILE - ENSEMBLE CARROSSERIE -

ITEM NO POS NO REP. NO REF. NO	PART NO - CODICE REFERENCE - STUECK NR		DESCRIPTION	DESCRIZIONE	DESIGNATION
	MV18	MV 25			
1	CM 81453000	CM 81453065	UNIT CHASSIS	ASS; TELAI	ENS. CHASSIS
2	CM 25550037	CM 25550037	INSULATION	ISOLAMENTO SX	ISOLATION GAUCHE
3	CM 25550038	CM 25550038	INSULATION	ISOLAMENTO DX	ISOLATION DROITE
4	CM 25550036	CM 25550036	INSULATION	ISOLAMENTO	ISOLATION
5	CM 25168758	CM 25168768	SHROUD	CONVOGLIATORE	CONVECTEUR DU CONDENS
6	CM 12768410	CM 12768410	SCREW	VITE	VIS
7	CM 12540730	CM 12540730	LOCK WASHER	ROSETTA	RONDELLE
8	CM 12521530	CM 12521530	WASHER	RONDELLA	RONDELLE
9	CM 81453112	CM 81453112	ICE DEFLECTOR	DEFLETTORE CUBETTI	DEVERSOIR GLACONS
10	CM 12726405	CM 12726405	SCREW	VITE	VIS
11	CM 12540730	CM 12540730	LOCK WASHER	ROSETTA	RONDELLE
12	CM 25570197	CM 25570197	S.S. MONITORING CONSOLE PANEL	PANNELLO DI SEGNALAZIONE IN ACCIAIO INOX	TABEUAU DE SIGNALISATION ACIE
13	CM 12726405	CM 12726405	SCREW	VITE	VIS
14	CM 33580024	CM 33580024	MONITORING LEDS ASSY	ASSIEME LED DI SEGNALAZIONE	ENSEMBLE LED DE SIGNALIS
15	CM 33500026	CM 33500026	LED FITTING	PORTA LED	PIECE DE FIXATION
16	CM 25550230	CM 25550232	FRONT PANEL S.S.	PANNELLO FRONTALE ACC. INOX	PANNEAU AVANT ACIER INOX
17	CM 25950062	CM 25550063	INSULATION	ISOLAMENTO	ISOLATION
18	CM 25330593	CM 25330603	LEFT SIDE PANEL S.S.	PANNELLO LAT. SX ACC. INOX	PANNEAU GAUCHE ACIER INC
19	CM 25330591	CM 25330601	RIGHT SIDE PANEL S.S.	PANNELLO LAT. DX ACC. INOX	PANNEAU DROITE ACIER INOX
20	CM 25160501	CM 25160501	TOP PANEL S.S.	PANNELLO SUPERIORE ACC. INOX	PANNEAU DESSUS ACIER INOX
21	CM 25550043	CM 25550043	INSULATION	ISOLAMENTO	ISOLATION
22	CM 19356001	CM 19356001	PLASTIC CLIP	MADREVITE	CLIP EN PLASTIQUE
23	CM 12727965	CM 12727965	SCREW	VITE	VIS

Зип Ощепит

vsezip.ru

+7(812)987-08-81



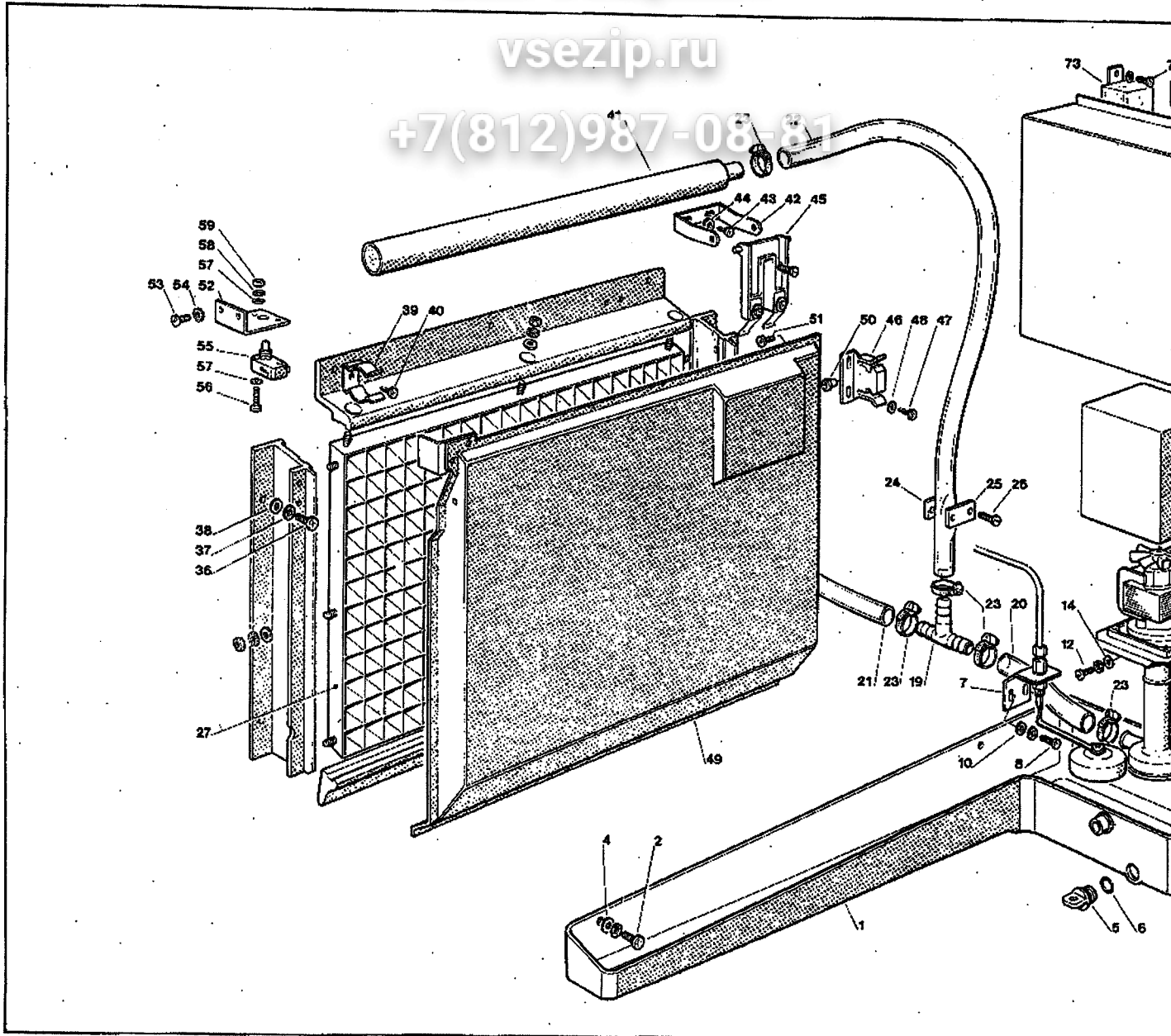
MV 18 - MV 25 - ICE MAKING SYSTEM AND CONTROL BOX - GRUPPO EVAPORATORE E S  
 GROUP EVAPORATEUR ET BOITIER DE COMMANDE - VERDAMPFER UND ANSCHLUS

ITEM NO POS NO REP. NO REF. NO	PART NO - CODICE REFERENCE - STUECK NR		DESCRIPTION	DESCRIZIONE	DESIGNATION
	MV18	MV 25			
1	CM 81453010	CM 81453010	WATER RESERVOIR	VASCHETTA ACQUA	RÉSERVOIR D'EAU
2	CM 12768410	CM 12768410	SCREW	VITE	VIS
4	CM 12521530	CM 12521530	WASHER	RONDELLA	RONDELLE
5	CM 42062035	CM 42062035	DRAIN PLUG	TAPPO SCARICO	BOUCHON DE VIDANGE
6	CM 41020448	CM 41020448	O RING	GUARNIZIONE OR	JOINT TORIQUE
7	02.2217.02	02.2217.02	FLOAT VALVE	GALLEGGIANTE	VANNE A FLOTTEUR
8	CM 12726405	CM 12726405	SCREW	VITE	VIS
10	CM 12521530	CM 12521530	WASHER	RONDELLA	RONDELLE
11	CM 81453101	CM 81453101	PUMP BRACKET	SUPPORTO POMPA	SUPPORT POMPE
12	CM 12725405	CM 12725405	SCREW	VITE	VIS
14	CM 12521530	CM 12521530	WASHER	RONDELLA	RONDELLE
15	793113.09	793113.09	WATER PUMP	POMPA	POMPE A EAU
16	CM 12768410	CM 12768410	SCREW	VITE	VIS
17	CM 12540730	CM 12540730	LOCKWASHER	ROSETTA	RONDELLE
18	CM 12290805	CM 12290805	NUT	DADO	ECROU
19	CM 19612502	CM 19612502	T FITTING	RACCORDO A "T"	RACCORD E TÉ
20	CM 25790857	CM 25790857	WATER TUBE	TUBO	TUYAU
21	CM 25790856	CM 25790856	WATER TUBE	TUBO	TUYAU
22	CM 25790832	CM 25790880	WATER TUBE	TUBO	TUYAU
23	CM 19280600	CM 19280600	CLAMP	FASCETTA	COLLIER
24	CM 25570410	CM 25570410	PLATE	PIASTRINA	PLAQUETTE
25	CM 25570411	CM 25570411	PLATE	PIASTRINA	PLAQUETTE
26	CM 19940100	CM 19940100	SCREW	VITE	VIS
27	CM 81453004 CM 81453226	CM 81453069 CM 81453228	EVAPORATOR ASSY EVAPORATOR ASSY - HALD ICE	ASSIEME EVAPORATORE ASS. EVAPORATORE - MINI CUBETTO	ENS. EVAPORATEUR ENS. EVAPORATEUR - MINI GLA
36	CM 12768410	CM 12768410	SCREW	VITE	VIS
37	CM 12540730	CM 12540730	LOCK WASHER	ROSETTA	RONDELLE
38	CM 12521530	CM 12521530	WASHER	RONDELLA	RONDELLE
39	CM 25474608	CM 25474608	METAL CLIP	SUPPORTO	SUPPORT
40	CM 12728106	CM 12728106	SCREW	VITE	VIS
41	CM 81453009	CM 81453009	WATER DISTRIB. TUBE	BARRA IRRORATRICE	RAMPE D'ARROSAGE
42	CM 25725450	CM 25725450	SENSOR DEVICE BRKT	SUPPORTO DISPOSITIVO SENSORI	SUPPORT DISPOSITIF CAPTEU
43	CM 12728106	CM 12728106	SCREW	VITE	VIS

Зип Ощепит

vsezip.ru

+7(812)987-08-81

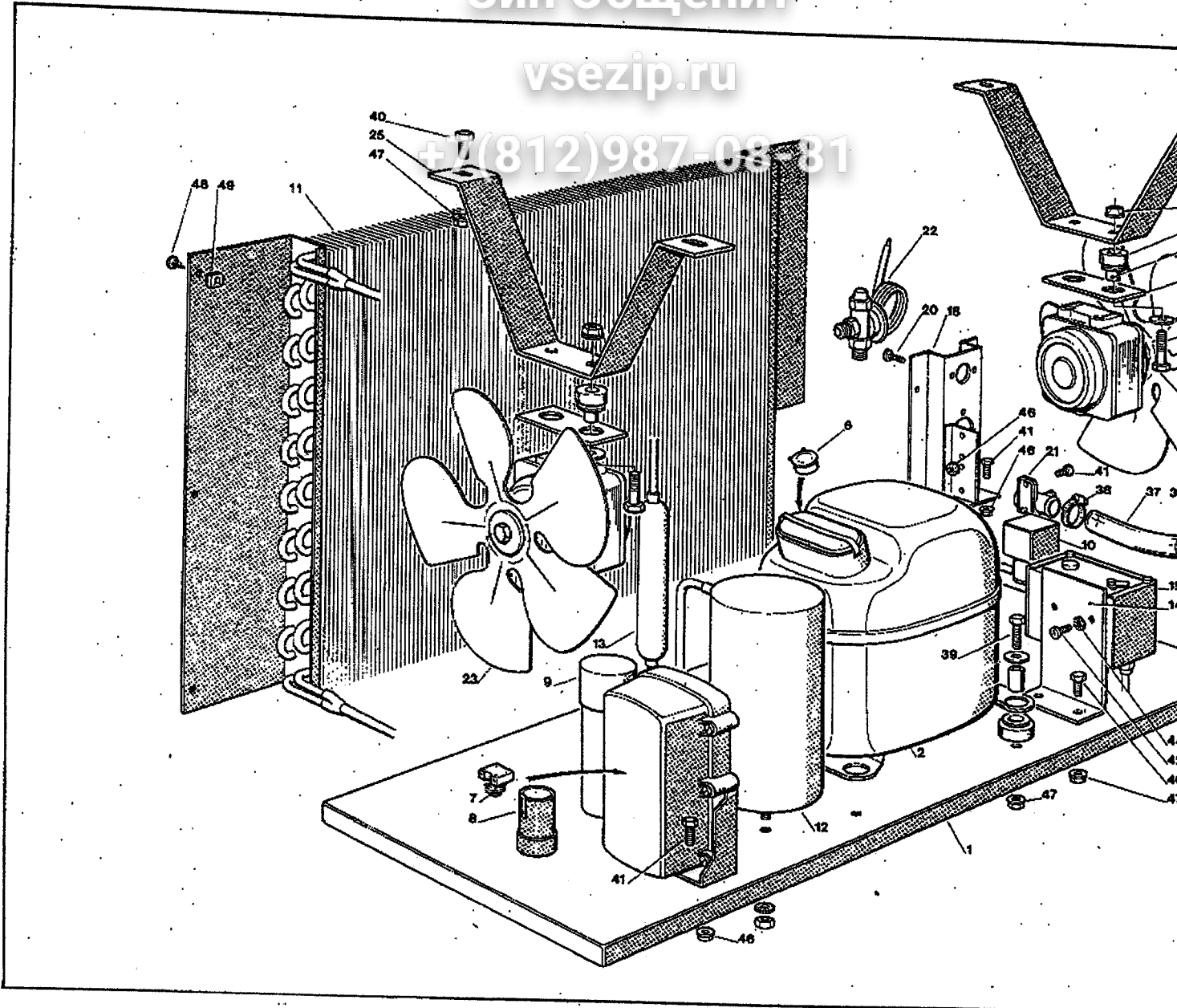


46	CM 25728470	CM 25728470	DEFLECTOR COVER/BRK	SUPPORTO COPERCHIO/DEFLETTORE	SUPPORTO COUVERCLE/DEFLEC
47	CM 12728106	CM 12728106	SCREW	VITE	VIS
48	CM 12521530	CM 12521530	WASHER	RONDELLA	RONDELLE
49	CM 81453008	CM 81453072	DEFLECTOR/COVER	DEFLETTORE/COPERCHIO	COUVERCLE/DEFLECTEUR
50	CM 25560133	CM 25560133	PIN	PIN	PIVOT
51	CM 12728101	CM 12728101	SCREW	VITE	VIS
52	CM 25725454	CM 25725454	BRACKET	SUPPORTO	SUPPORT
53	CM 12728405	CM 12728405	SCREW	VITE	VIS
54	CM 12540730	CM 12540730	LOCKWASHER	ROSETTA	RONDELLE
55	CM 19410207	CM 19410207	N.C. MICROSWITCH	N.C. INTERRUOTORE	N.F. MICROINTERRUPTEUR
56	CM 12726056	CM 12726056	SCREW	VITE	VIS
57	CM 12521520	CM 12521520	WASHER	RONDELLA	RONDELLE
58	CM 12540720	CM 12540720	LOCKWASHER	ROSETTA	RONDELLE
59	CM 12290795	CM 12290795	NUT	DADO	ECROU
60	CM 25160502	CM 25160502	ELECTR. BOX COVER	COPERCHIO SC. ELETTRICA	COUVERCLE BOITIER ELECTR
61	CM 12726405	CM 12726405	SCREW	VITE	VIS
62	CM 33590043	CM 33590043	ELECTRONIC CONTROL BOARD	SCHEDA ELETTRONICA	CARTE ELECTRONIQUE
63	CM 12726406	CM 12726406	SCREW	VITE	VIS
65	CM 33801000	CM 33801000	SPACER	DISTANZIEMBRE	ENTRETOISE
66	CM 25725456	CM 25725456	BRACKET	SUPPORTO	SUPPORT
67	CM 33400019 CM 33400027	CM 33400019 CM 33400027	SWITCH SWITCH	INTERRUPTORE INTERRUPTORE	INTERRUPTEUR INTERRUPTEUR
68	CM 12726405	CM 12726405	SCREW	VITE	VIS
71	CM 33489251	CM 33489251	TERMINAL BLOCK	MORSETTIERA	BORNIER
72	CM 12726408	CM 12726408	SCREW	VITE	VIS
73	630119.00	630119.00	CONTACTOR	TELERUTTORE	CONTACTEUR
74	CM 12726405	CM 12726405	SCREW	VITE	VIS

Зип-Общепит

vsezip.ru

+7 (812) 987-08-81





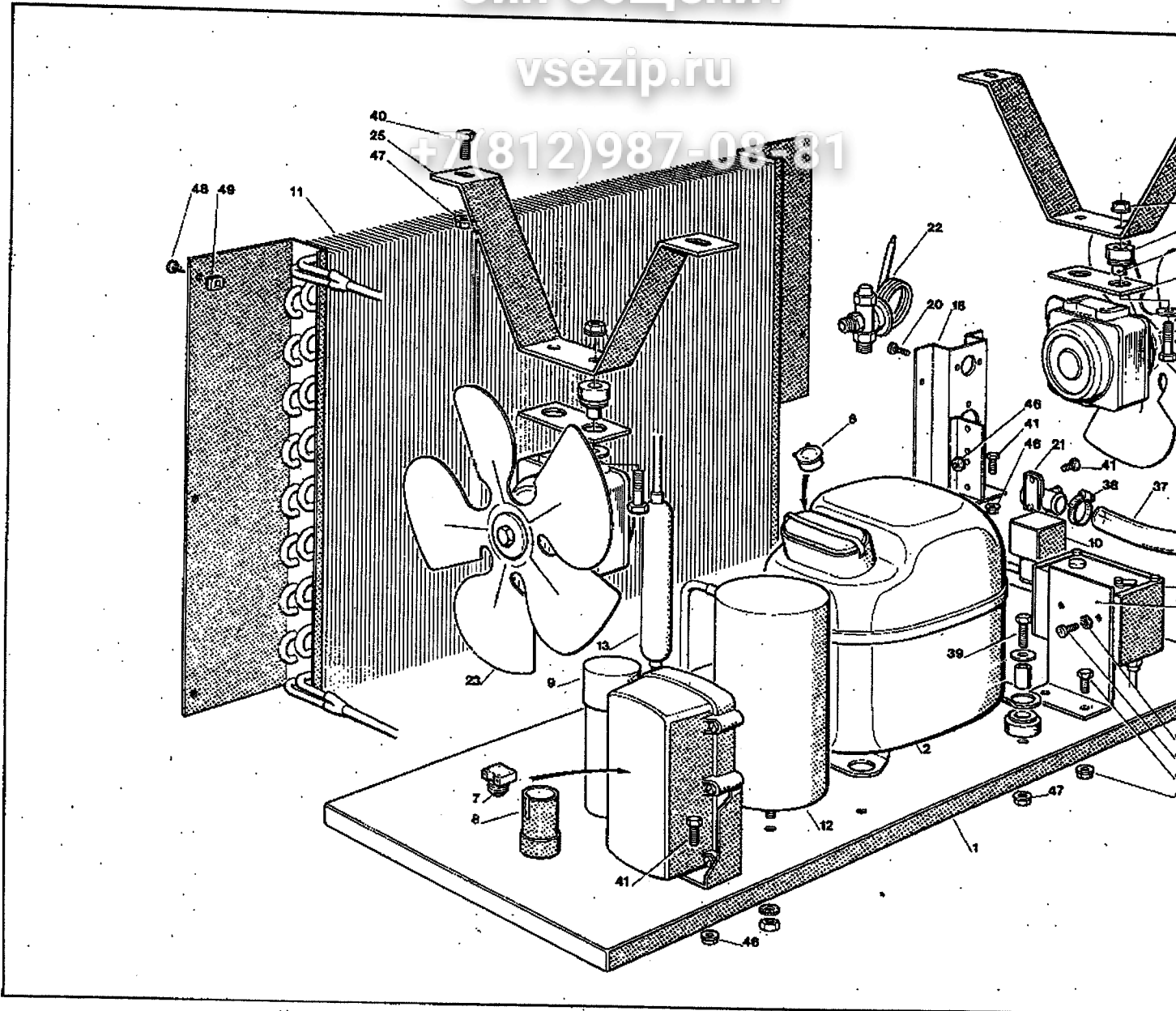
MV 18 - MV 25 CONDENSING UNIT COOLED - UNITA' CONDENSATRICE-R  
 UNITE DE CONDENSATION-REFROID. PAR AIR - LUFTGEKUEHLTES KÄLTEAGGF

ITEM NO POS NO REP. NO REF. NO	PART NO - CODICE REFERENCE - STUECX NR		DESCRIPTION	DESCRIZIONE	DESIGNATION
	MV18	MV 25			
1	CM 81453000	CM 81453065	CHASSIS ASSY	ASS. TELAIO	ENS. CHASSIS
2	CM 19165528 CM 19165481	CM 19165519	COMPRESSOR ASSY - UNITÉ HERMETIQUE COMPRESSOR ASSY - ELECTROLUX	A.S. COMPRESORE - UNITÉ HERMETIQUE ASS. COMPRESSORE - ELECTROLUX	ENS. COMPRESSEUR - UNITÉ HERM ENS. COMPRESSEUR - ELECTR
6	CM 19560163	-	PROTECTOR - UNITÉ HERMETIQUE PROTECTOR - ELECTROLUX	PROTETTORE - UNITÉ HERMETIQUE PROTETTORE - ELECTROLUX	PROTECTEUR - UNITÉ HERME PROTECTEUR - ELECTROLUX
7	CM 19621677	CM 19621653	RELAY - UNITÉ HERMETIQUE RELAY - ELECTROLUX	RELE' - UNITÉ HERMETIQUE RELE' - ELECTROLUX	RELAIS - UNITÉ HERMETIQUE RELAIS - ELECTROLUX
8	CM 19160567	CM 19180567	START CAPACITOR - UNITÉ HERMETIQUE START CAPACITOR - ELECTROLUX	CAPACITA' D'AVVIAMENTO - UNITÉ HERMETIQUE CAPACITA' D'AVVIAMENTO - ELECTROLUX	CONDENSAT. DEMARRAGE - UNITÉ HERME CONDENSAT DEMARRAGE - ELECT
9	CM 19150569	CM 19180564	RUN CAPACITOR - UNITÉ HERMETIQUE RUN GAPACITOR - ELECTROLUX	CAPACITA' DI MARCIA - UNITÉ HERMETIQUE CAPACITA' DI MARCIA - ELECTROLUX	CONDENSAT. PERMANENT - UNITÉ HERME CONDENSAT PERMANENT - ELECT
10	CM 19863034	CM 19863034	HOT GAS VALVE ASSY	ASS. VALVOLA GAS CALDO	ENS. VANNE GAZ CHAUDS
11	CM 19177050	CM 19177051	CONDENSER	CONDENSATORE	CONDENSEUR
12	CM19635339	CM19635339	LIQUID RECEIVER	RICEVITORE DI LIQUIDO	BOUTEILLE LIQUIDE
13	CM 19301230	CM 19301230	DRIER	FILTRO	DESHIDRATEUR
14	CM 25725437	CM 25725437	BRACKET	SUPPORTO	SUPPORT
15	CM 19550607	CM 19550607	PRESSURE SWITCH (FAN. CONT.)	PRESSOSTATO (COM. VENT.)	PRESSOSTAT H.P. (CONTR. VE
16	CM 25725457	CM 25725457	BRACKET	SUPPORTO	SUPPORT
17	CM 19865525	CM 19865525	WATER DRAIN VALVE	VALVOLA SCARICO ACQUA	VANNE DE VIDANGE D'EAU
18	CM 81453014	CM 81453014	METAL BRKT FOR CONNECTION FITTINGS	SUPPORTO RACCORDI DI COLLEGAMENTO	SUPPORT RACCORD DE BRANCHEN
20	CM 12725404	CM 12725404	SCREW	VITE	VIS
21	CM 25690903	CM 25690903	DRAIN FITTING	RACCORDO SCARICO	RACCORD ÉVACUATION EAU
22	CM 19870522	CM 19870526	THERM. EXP. VALVE	VALVOLA ESPANS. TERMOSTATICA	DETENDEUR
23-24	CM 18562058	CM 18562058	FAN MOTOR ASSY	ASS. MOTOVENTILATORE	ENS. MOTOVENTILATEUR
25	CM 25725455	CM 25725455	BRACKET	SUPPORTO	SUPPORT
26	CM 25570190	CM 25570190	PLATE	PIASTRINA	PLAQUETTE
27	CM 19031000	CM 19031000	GROMMET/PADS	AMMORTIZZATORE	SILENT BLOCS
28	CM 19060306	CM 19060306	SLEEVE	BUSSOLA	ENTRETOISE
29	CM 12792099	CM 12792099	SCREW	VITE	VIS
30	CM 12523050	CM 12523050	WASHER	RONDELLA	RONDELLE
31	CM 12292102	CM 12292102	NUT	DADO	ECROU
37	CM 25790826	CM 25790826	DRAIN TUBE	TUBO SCARICO	TUYAU ÉVACUATION
38	CM 19281326	CM 19281326	CLAMP	FASCETTA	COLLIER
39	CM12792400	CM12792400	SCREW	VITE	VIS
40	CM12791000	CM12791000	SCREW	VITE	VIS

Зип-Общепит

vsezip.ru

+7 (812) 987-08-81

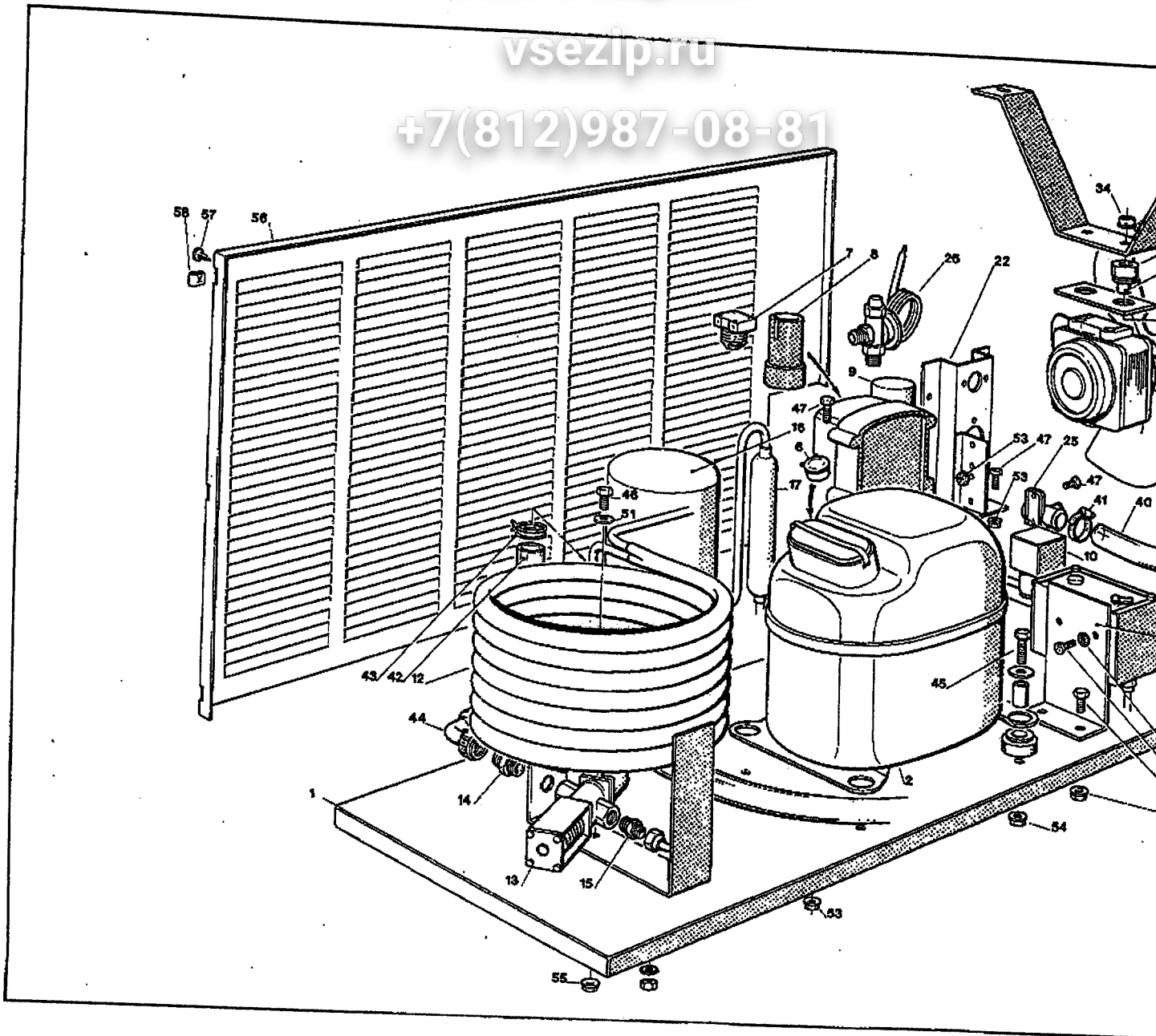




Зип Ощепит

vsezip.ru

+7(812)987-08-81



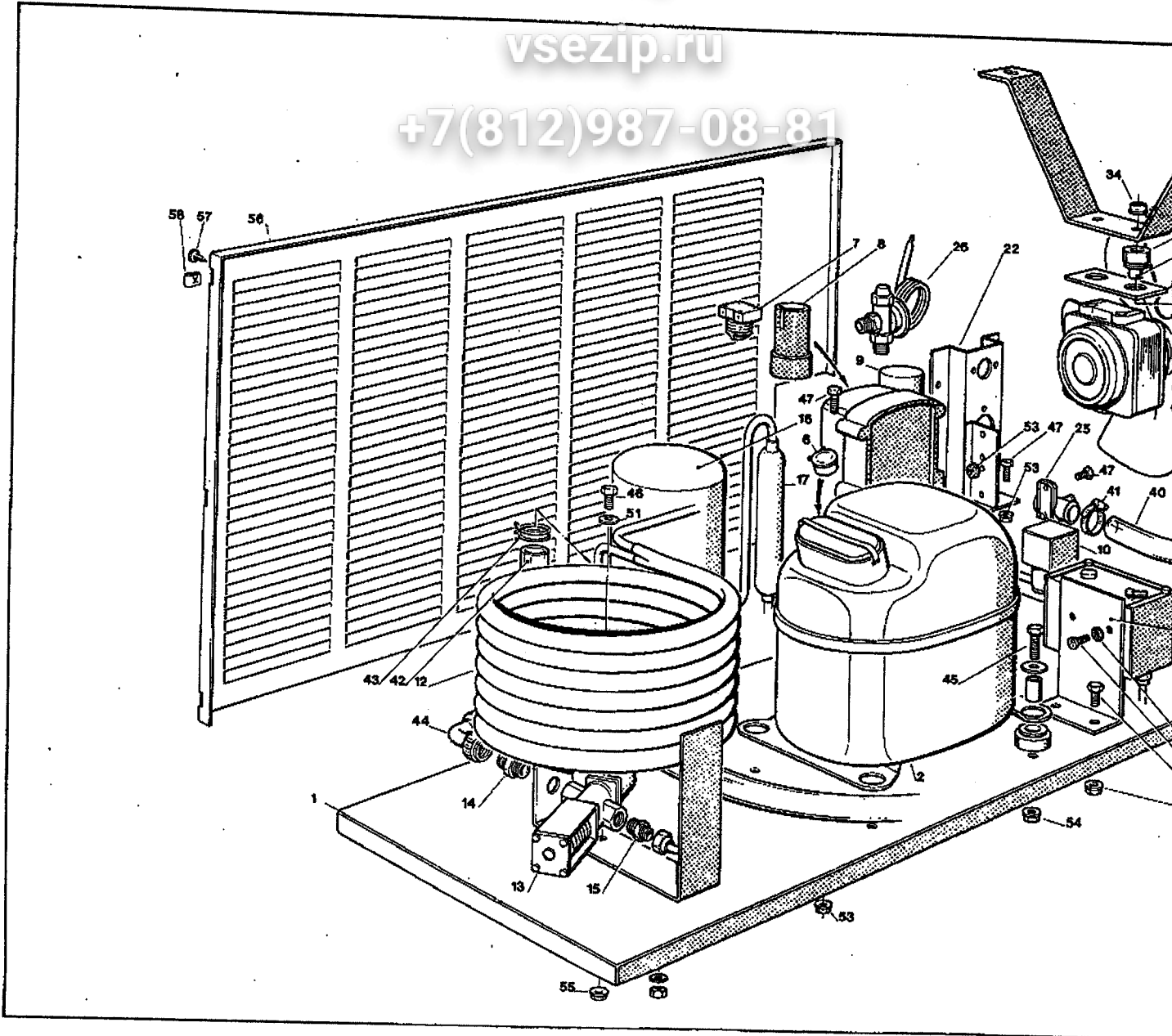
MV 18 - MV 25 - CONDENSING UNIT WATER COOLED - UNITA' CONDENSATRICE-R  
 UNITE DE CONDENSATION-REFROID. PAR EAU - WASSER GEKUHLT'S KALTEAG

ITEM NO POS NO REP. NO REF. NO	PART NO - CODICE REFERENCE - STUECK NR		DESCRIPTION	DESCRIZIONE	DESIGNATION
	MV18.	MV 25			
1	CM 81453000	CM 81453065	CHASSIS ASSY	ASS. TELAI	ENS. CHASSIS
2	CM 19165528 CM 19165481	CM 19165519	COMPRESSOR ASSY - UNITÉ HERMETIQUE COMPRESSOR ASSY - ELECTROLUX	ASS. COMPRESORE - UNITÉ HERMETIQUE ASS. COMPRESORE - ELECTROLUX	ENS. COMPRESSEUR - UNITÉ HERM ENS. COMPRESSEUR - ELECT
6	CM 19560149 CM 19560163	-	PROTECTOR - UNITÉ HERMETIQUE PROTECTOR - ELECTROLUX	PROTETTORE - UNITÉ HERMETIQUE PROTETTORE - ELECTROLUX	PROTECTEUR - UNITÉ HERM PROTECTEUR - ELECTROLUX
7	CM 19621684 CM 19621677	CM 19621653	RELAY - UNITÉ HERMETIQUE RELAY - ELECTROLUX	RELE' - UNITÉ HERMETIQUE RELE' - ELECTROLUX	RELAIS - UNITÉ HERMETIQUE RELAIS - ELECTROLUX
8	CM 19180573 CM 19180567	CM 19180567	START CAPACITOR - UNITÉ HERMETIQUE START CAPACITOR - ELECTROLUX	CAPACITA' D'AVVIAMENTO - UNITÉ HERMETIQUE CAPACITA' D'AVVIAMENTO - ELECTROLUX	CONDENSAT. DEMARRAGE - UNITÉ HERM CONDENSAT DEMARRAGE - ELEC
9	CM 19180574 CM 19180569	CM 19180564	RUN CAPACITOR - UNITÉ HERMETIQUE RUN CAPACITOR - ELECTROLUX	CAPACITA' DI MARCIA - UNITÉ HERMETIQUE CAPACITA' DI MARCIA - ELECTROLUX	CONDENSAT. PERMANENT - UNITÉ HERM CONDENSAT PERMANENT - ELEC
10	CM 19863034	CM 19863034	HOT GAS VALVE ASSY	ASS. VALVOLA GAS CALDO	ENS. VANNE GAZ CHAUDS
12	CM 81485038	CM 81453098	CONDENSER	CONDENSATORE	CONDENSEUR
13	CM 19870815	CM 19870815	WATER REGULATING VALVE	VALVOLA REGOLAZIONE ACQUA	VANNE RÉGULATION EAU
14	CM 25631013	CM 25631013	WATER FITTING-IN	RACCORDO IDRAULICO	RACCORD-ARRIVÉE EAU
15	CM 19320310	CM 19320310	WATER FITTING-OUT	RACCORDO IDRAULICO	RACCORD-ÉVACUATION EAU
16	CM 19635339	CM 19635339	LIQUID RECEIVER	RICEVITORE DI LIQUIDO	BOUTEILLE LIQUIDE
17	CM 19301230	CM 19301230	DRIER	FILTRO	DESHYDRATEUR
18	CM 25725437	CM 25725437	BRACKET	SUPPORTO	SUPPORT
19	CM 19550606	CM 19550606	HIGH PRESSURE CONTROL	PRESSOSTATO DI ALTA	PRESSOSTAT H.P.
20	CM 25725457	CM 25725457	BRACKET	SUPPORTO	SUPPORT
21	CM 19865525	CM 19865525	WATER DRAIN VALVE	VALVOLA SCARICO ACQUA	VANNE DE VIDANGE D'EAU
22	CM 81453014	CM 81453014	METAL BRKT FOR CONNECTION FITTINGS	SUPPORTO RACCORDI DI COLLEGAMENTO	SUPPORT RACCORD DE BRANCHE
25	CM 25690803	CM 25690803	DRAIN FITTING	RACCORDO SCARICO	RACCORD ÉVACUATION EAU
26	CM 19870622	CM 19870626	THERM. EXP. VALVE	VALVOLA ESPANS. TERMOSTATICA	DETENDEUR
27	CM 18562060	CM 18562060	FAN MOTOR ASSY	ASS. MOTOVENTILATORE	ENS. MOTOVENTILATEUR
28	CM 25725455	CM 25725455	BRACKET	SUPPORTO	SUPPORT
29	CM 25570190	CM 25570190	PLATE	PIASTRINA	PLAQUETTE
30	CM 19031000	CM 19031000	GROMMET/PADS	AMMORTIZZATORE	SILENT BLOCS
31	CM 19060306	CM 19060306	SLEEVE	BUSSOLA	ENTRETOISE
32	CM 12792099	CM 12792099	SCREW	VITE	VIS
33	CM 12523050	CM 12523050	WASHER	RONDELLA	RONDELLE
34	CM 12292102	CM 12292102	NUT	DADO	ECROU
40	CM 25790855	CM 25790855	DRAIN TUBE	TUBO SCARICO	TUYAU ÉVACUATION
41	CM 19281326	CM 19281326	CLAMP	FASCETTA	COLLIER

Зип Ощепит

vsezip.ru

+7(812)987-08-81



44	CM 81453099	CM 81453099	WATER TUBE	TUBE	TUYAU
45	CM 12792400	CM12792400	SCREW	VITE	VIS
46	CM 12768410	CM12768410	SCREW	VITE	VIS
47	CM 12788880	CM12788880	SCREW	VITE	VIS
48	CM 12726389	CM12726389	SCREW	VITE	VIS
50	CM 12540020	CM 12540020	LOCK WASHER	ROSETTA	RONDELLE SCHEIBE
51	CM 12523040	CM 12523040	WASHER	RONDELLA	RONDELLE
53	CM 12291800	CM 12291600	NUT	DADO	ECROU
54	CM 12292102	CM 12292102	NUT	DADO	ECROU
55	CM 12291600	CM 12291600	NUT	DADO	ECROU
56	CM 25550049	CM 25550060	REAR PANEL	PANNELLO POSTERIORE	PANNEAU ARRIERE
57	CM 12728106	CM 12728106	SCREW	VITE	VIS
58	CM 12436400	CM 12436400	METAL CLIP	PIASTRINA METALLICA	PLAQUETTE

Зип Ощепит

vsezip.ru

+7(812)987-08-81

**MV 18-25 - COMPRESSOR CHART - LISTA COMPRESSORI - LISTE DES COMPRESSEURS - KO**

MODEL MODELLO MODELE MODELL	VOLTS VOLTAGGIO TENSION SPANNUNG	COMPRESSOR MODEL MODELLO COMPRESSORE TYPE DU COMPRESSEUR KOMPRESSOR TYP	COMPRESSOR ASSY ASS. COMPRESSORE ENS. COMPRESSEUR NUR KOMPRESSOR	COMPRESSOR ONLY SOLO COMPRESSORE COMPRESSEUR SEUL NUR KOMPRESSOR	RELAY RELE' RELAIS RELAIS	PROTECTOR PROTETTORE PROTECTEUR SCHUTZGERAT	START. CAPACIT. START K
MV 18 - 1A	115/60/1		-	-	-	-	
MV 25 - 1A	115/60/1		-	-	-	-	
MV 18 - 2A	220/60/1	U.H. CAJ 9513 T	CM 19165527	-			
MV 25 - 2A	220/60/1	Coopeland CRA1-0150	CM 19166024	-	18.1903.46	-	18.19
MV 18 - 6A	220/50/1	U.H. CAJ 9513 T Electrolux S 25 TN	CM 19165528 CM 19165481	- -	CM 19621684 CM 19621677	CM 19560149 CM 19560163	CM 19 CM 19
MV 25 - 6A	220/50/1	U.H. AH 5522 E	CM 19165519	-	CM 19621653	-	CM 19



Зип Общепит

vsezip.ru

+7(812)987-08-81

**MV 18-25 - ECTRIC COMPONENT CHART - LISTA COMPONENTI ELETTRIC  
LISTE DES COMPOSANTS ELECTRIQUES - ELEKTRISCHER TEILLISTE**

MODEL MODELLO MODELE MODELL	VOLTS VOLTAGGIO TENSION SPANNUNG	RELAY/CONTACTOR RELE/TELERUTTORE RELAIS/CONTACTEUR RELAIS/MAGNETSCHALTER	ELECTR. CONTR. BOARD SCHEDE ELETTR. CARTE ELECTR. STEUERKARTE	WATER DRAIN VALVE VALVOLA SCAR. ACQUA V.E.M. VIDANGE EAU WABFLUSSVENTIL	HOT GAS VALVE VALVOLA GAS CALDO V.E.M. GAS CHAUDS HEISS GAZ VENTIL	WATER PUMP ASS. POMP ENS. POMPE A WASSER PUM
MV 18 - 1A MV 25 - 1A	115/60/1	-	-	-	-	793113.
MV 18 - 2A MV 25 - 2A	220/60/1	630119.00	CM 33580043	CM 19865525	CM 19863034	793113.1
MV 18 - 6A MV 25 - 6A	220/50/1	630119.00	CM 33580043	CM 19865525	CM 19863034	793113.0