

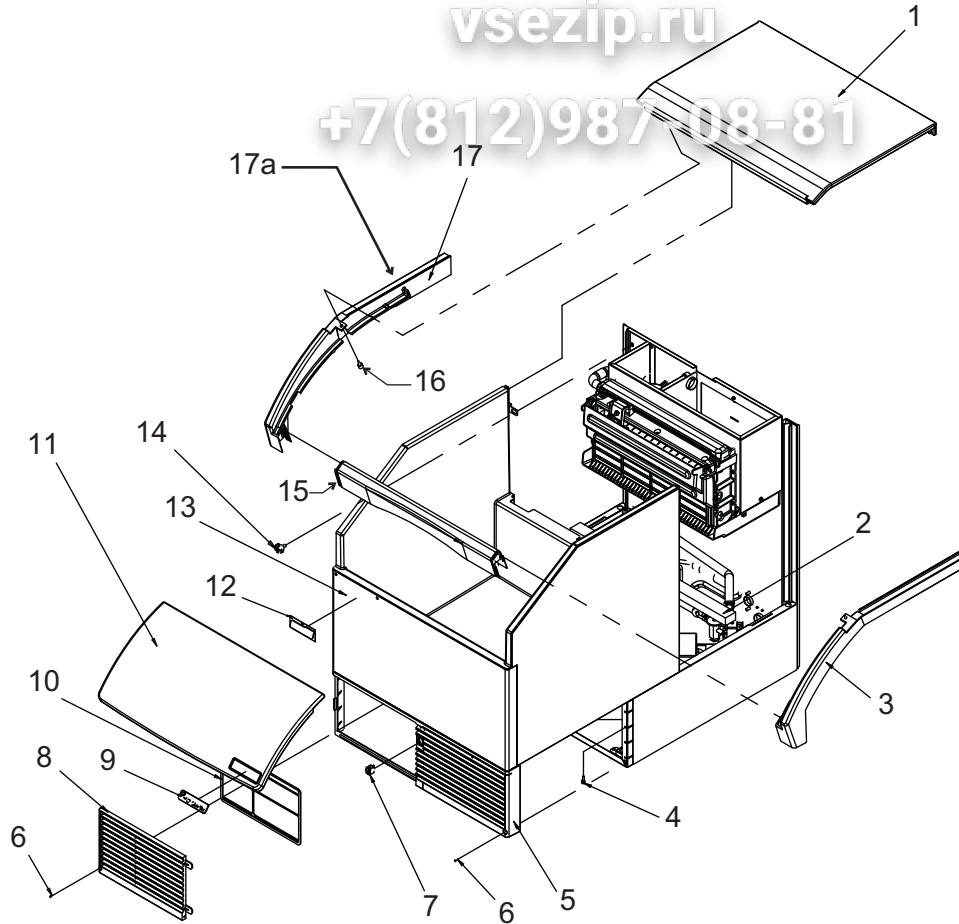
# CU1526, CU2026, CU3030 Service Parts

Зип Общепит

## CU1526 and CU2026 Cabinet

vsezip.ru

+7(812)987-08-81



Item Number	Part Number	Description
1	A39132-001	Top panel
2	19-0655-01	Gasket
3	02-4310-04	Right rail, 26" model
4	03-0727-10	Thumb screw
5	02-4304-01	Right grill & frame, 26" model
6	03-1404-12	Screw
7	12-2991-01	On/Off switch
8	02-4304-02	Left grill, 26" model
9	15-0825-01	Emblem
10	02-4308-01	Air filter (AC only)
11	02-4306-20	Door, 26" model
12	15-0824-01	Prodigy logo
13	A39120-021	Bin assembly, includes items 3, 12, 15, 17
14	03-1675-02	3 prong head screw
15	02-4312-01	Frame front, 26" model
16	03-3892-01	Screw, bin to top
17	02-4310-03	Left rail, 26" model
17a	03-1419-17	Flat head screw for rail

### Not Shown

NS1	02-3253-01	Scoop
NS1	KLP7	Legs - set of 4
NS3	16-1150-01	Fitting, water 50 Hz
NS4	03-3901-01	Washer, 50 Hz

Note: Frame rail attachment to bin wall changed late 2008 from adhesive only to screws and adhesive. Screw used is #6 x 5/8 flat head. When replacing frame rail on prior bin, use 1/8" dia drill bit to create mounting holes in top of bin wall.

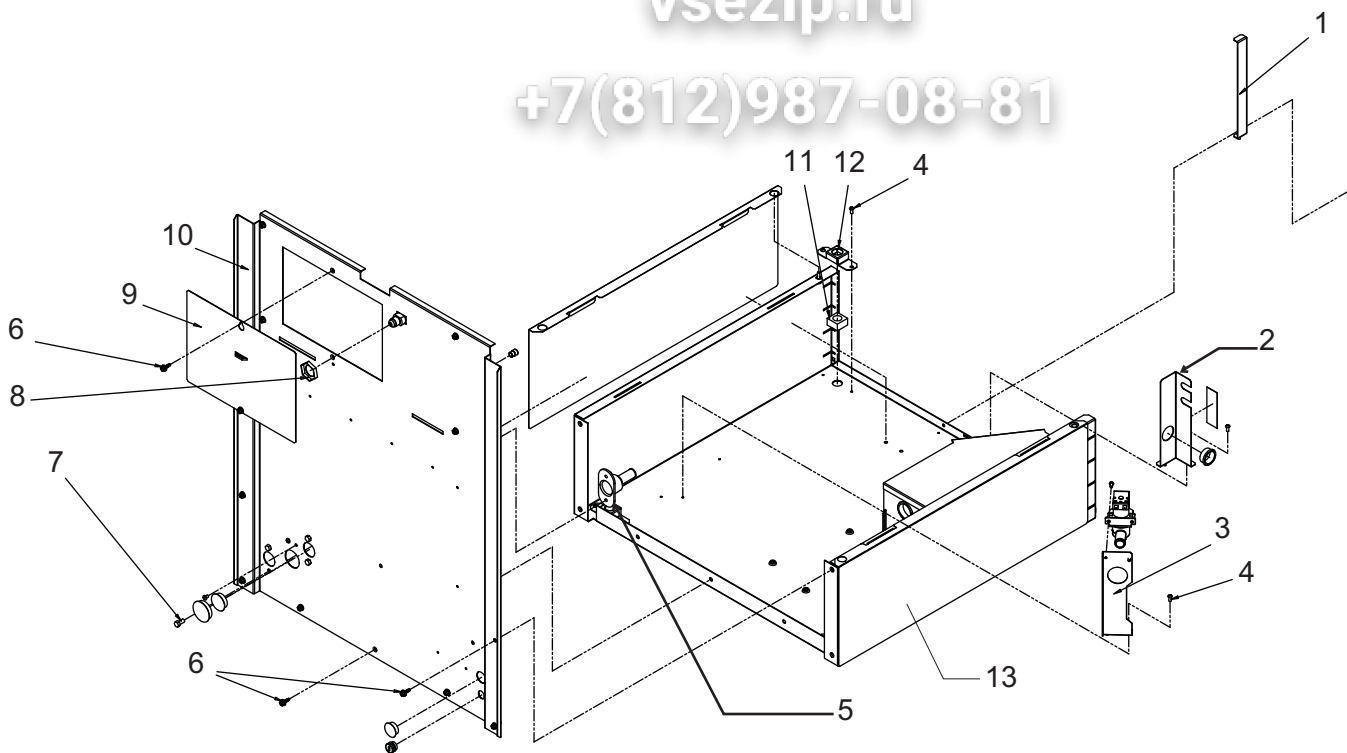
CU1526, CU2026, CU3030 Service Parts

Зип Общепит

CU1526 and CU2026 Back and Base

vsezip.ru

+7(812)987-08-81

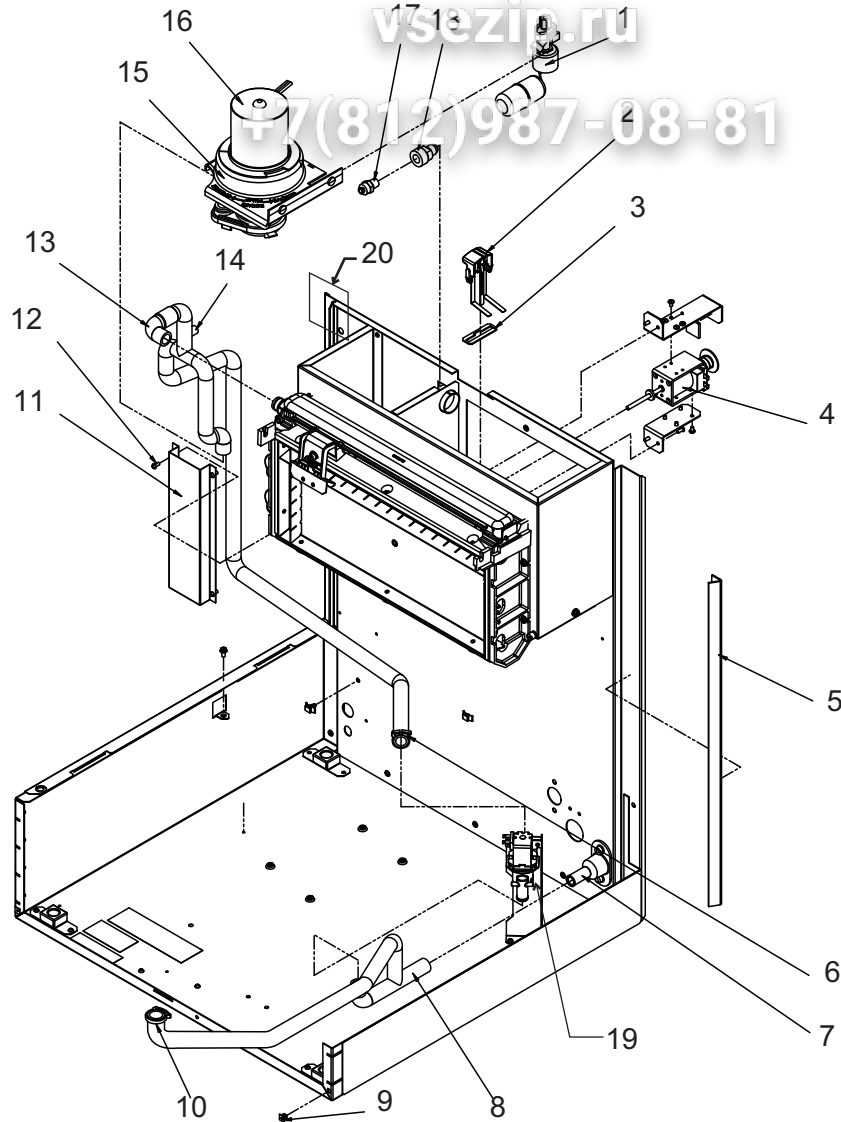


Item Number	Part Number	Description
1	A39145-001	Baffle, AC
2	A39086-001	Bracket, access valves
3	A39092-001	Bracket, purge valve
4	03-1531-01	Screw
5	02-3692-21	Drain fitting
6	03-3868-01	Screw
7	03-0571-00	Screw
8	03-1394-01	Pal nut
9	A39142-001	Service panel
10	A39080-001	Back panel
11	03-1674-01	Nut, leg mounting
12	A39083-001	Bracket, nut
13	A39089-001	Overlay panel, attach with adhesive tape, item 13a, 2 feet
13a	19-0642-02	Adhesive tape, order by foot.

# CU1526, CU2026, CU3030 Service Parts

Зип Общепит

## CU1526, CU2026 Pump, Float Valve, Water Sensor, Purge Valve

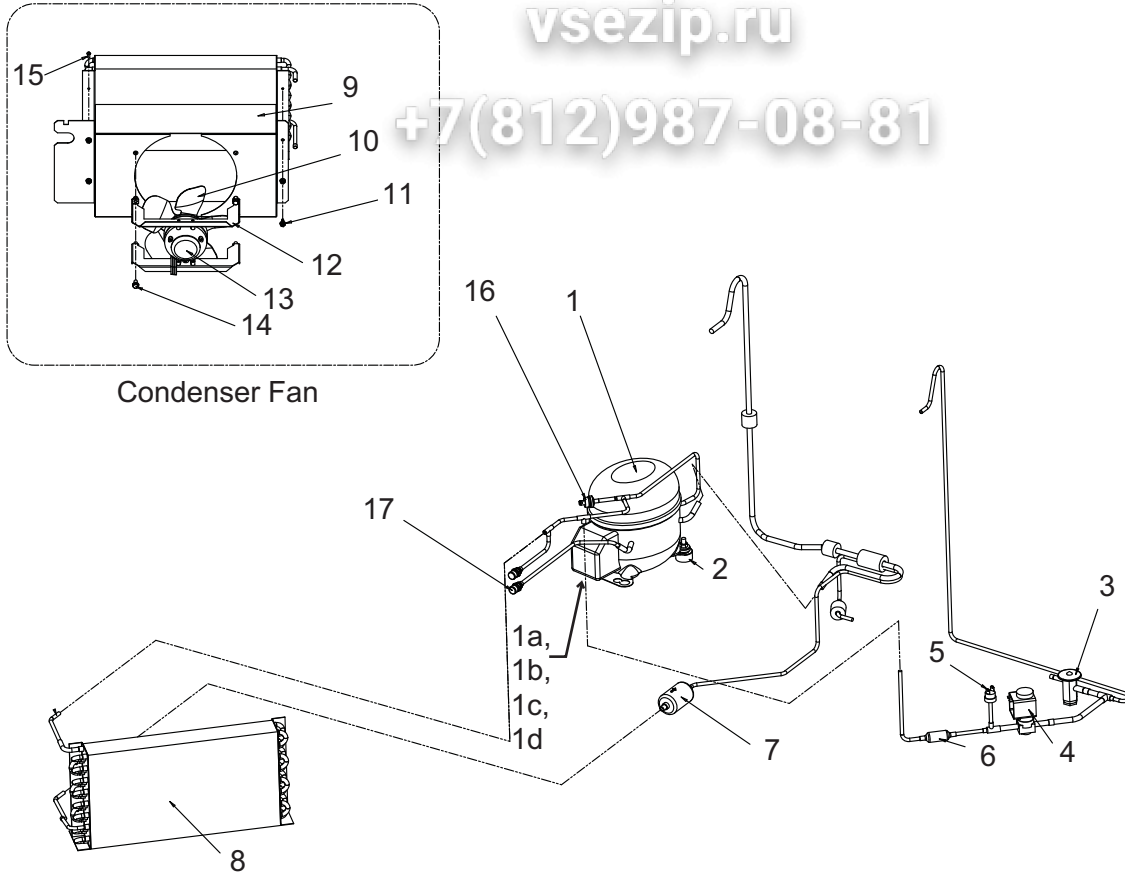


Item Number	Part Number	Description
1	02-3612-01	Float valve
1a	13-0895-01	Inlet tubing, order 2, cut to 15"
2	A39126-021	Water level sensor
3	A39143-001	Spacer
4	12-3035-21	Harvest assist solenoid, 115 v
	12-3035-22	Harvest assist solenoid, 230 v Includes mounting brackets
5	02-4491-01	Gasket, corner
6	02-2814-09	Hose clamp
7	02-3692-21	Drain fitting
8	A39144-001	Drain hose, 26" model
9	03-3804-01	Screw receptacle
10	02-2814-10	Hose clamp
11	A39151-001	Chase cover
12	03-1531-01	Screw
13	02-4299-01	Pump hose, 26" model
14	11-0515-21	Temp sensor set
15	02-4318-01	Pump bracket
16	12-2919-21	Water pump, 115 volt models
	12-2919-22	Water pump, 230 volt models
17	16-1039-01	Male connector
18	16-0835-01	Water inlet fitting, 3/8 flare
19	11-0564-01	Purge valve, 115 volt models
	11-0564-02	Purge valve, 230 volt models
20	13-0954-01	Foam pad, 2" x 2"

**CU1526, CU2026, CU3030 Service Parts**  
**Зип ОбщеПИТ**  
**CU1526 and CU2026 Air Cooled Refrigeration**

vsezip.ru

+7(812)987-08-81



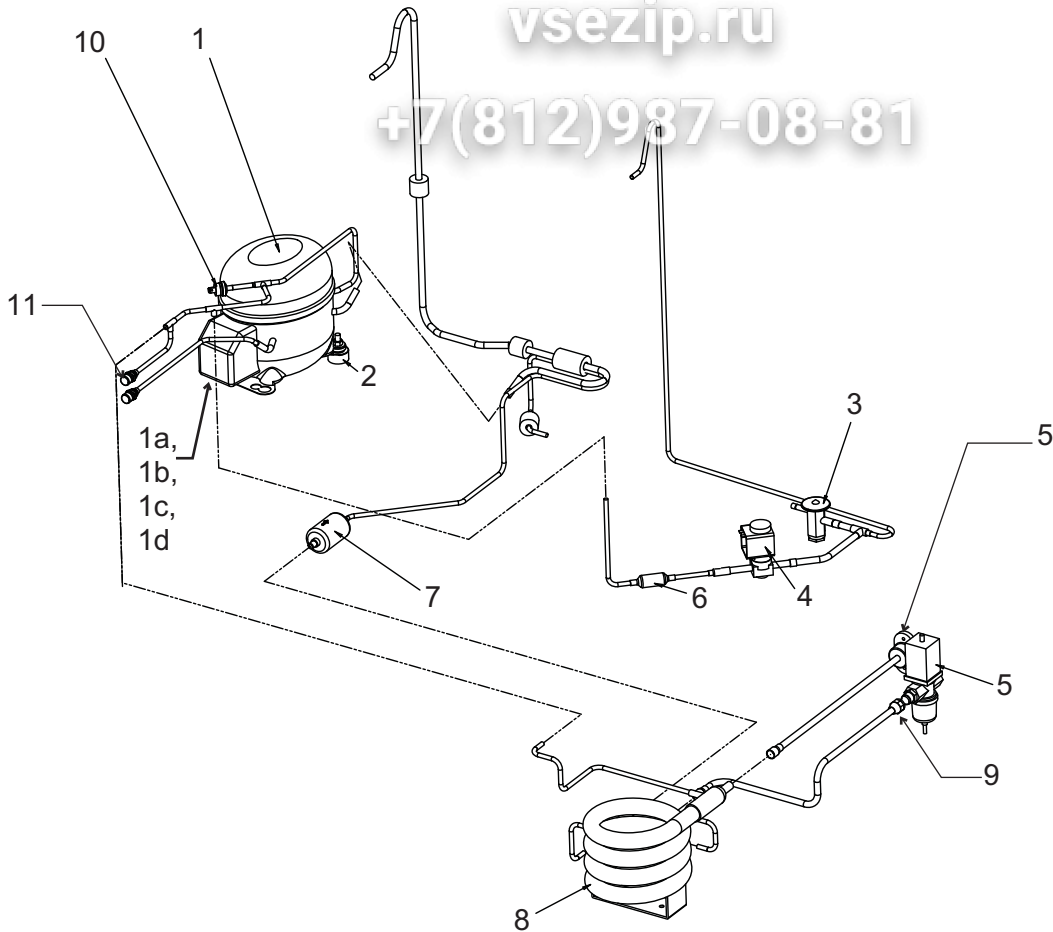
Item Number	Part Number	Description	Part Number	Description
1		Compressors*	5	11-0566-21 Fan control pressure switch
	18-8932-21	CU1526 115/60	6	16-1063-02 Strainer
1a	18-8932-31	Overload for above	7	02-3319-01 Dryer
	18-8932-26	CU1526 230/50	8	18-8942-01 Condenser
1b	18-8932-32	Overload for above	9	A39084-001 Shroud
	18-8933-21	CU2026 115/60	10	18-8773-01 Fan blade
1c	18-8933-31	Overload for above	11	03-3868-01 Screw
	18-8933-22	CU2026, 208-230/60	12	A39113-001 Bracket, motor
	18-8933-26	CU2026, 208-230/50	13	Fan motors
1d	18-8933-32	Overload for above		12-2989-01 CU1526, 115/60
2		Compressor mounting hardware		12-2989-02 CU1526, 230/50
	03-1406-10	Hex nut		12-1681-23 CU2026, 115/60
	03-3900-01	Screw (up thru base)		12-1681-04 CU2026, 208-230/60-50
	18-0108-41	Sleeve	14	03-1645-01 Screw
	18-4700-28	Grommet	15	03-1531-01 Screw
	03-1407-07	Washer	16	11-0501-05 Hi pressure cut out
3	16-1117-24	CU1526 thermo exp valve	17	16-1140-01 Port cap
	16-1117-25	CU2026 thermo exp valve		16-1139-01 Core
	02-4406-01	Insulation for TXV		16-1138-01 Seat
4	11-0493-04	Hot gas valve, 115/60		
	12-2719-21	Coil only, 115 volt		
	11-0493-05	Hot gas valve, 230/60-50		

\* Compressors include overload, run capacitor, PTCR and dryer.

**CU1526, CU2026, CU3030 Service Parts**  
**Зип ОбщеПИТ**  
**CU1526 and CU2026 Water Cooled Refrigeration**

vsezip.ru

+7(812)987-08-81



Item Number	Part Number	Description
1	18-8932-21	CU1526 115/60 Compressors*
1a	18-8932-31	Overload for above
	18-8932-26	CU1526 230/50
1b	18-8932-32	Overload for above
	18-8933-21	CU2026 115/60
1c	18-8933-31	Overload for above
	18-8933-22	CU2026, 208-230/60
	18-8933-26	CU2026, 208-230/50
1d	18-8933-32	Overload for above
2	03-1406-10	Compressor mounting hardware Hex nut
	03-3900-01	Screw (up thru base)
	18-0108-41	Sleeve
	18-4700-28	Grommet
	03-1407-07	Washer
3	16-1117-24	CU1526 thermo exp valve
	16-1117-25	CU2026 thermo exp valve
	02-4406-01	Insulation for TXV
4	11-0493-04	Hot gas valve, 115/60
	12-2719-01	Coil only, 115 volt
	11-0493-05	Hot gas valve, 230/60-50
	12-2719-02	Coil only, 230 volt
	12-2733-30	HGV rebuild kit
5	11-0478-01	Water regulating valve
6	16-1063-02	Strainer
7	02-3319-01	Dryer
8	18-8869-01	Condenser
9	16-0355-00	Coupling half
10	11-0501-01	Hi pressure cut out - WC
11	16-1140-01	Port cap
	16-1139-01	Core
	16-1138-01	Seat

\* Compressors include overload, run capacitor, PTCR and dryer.

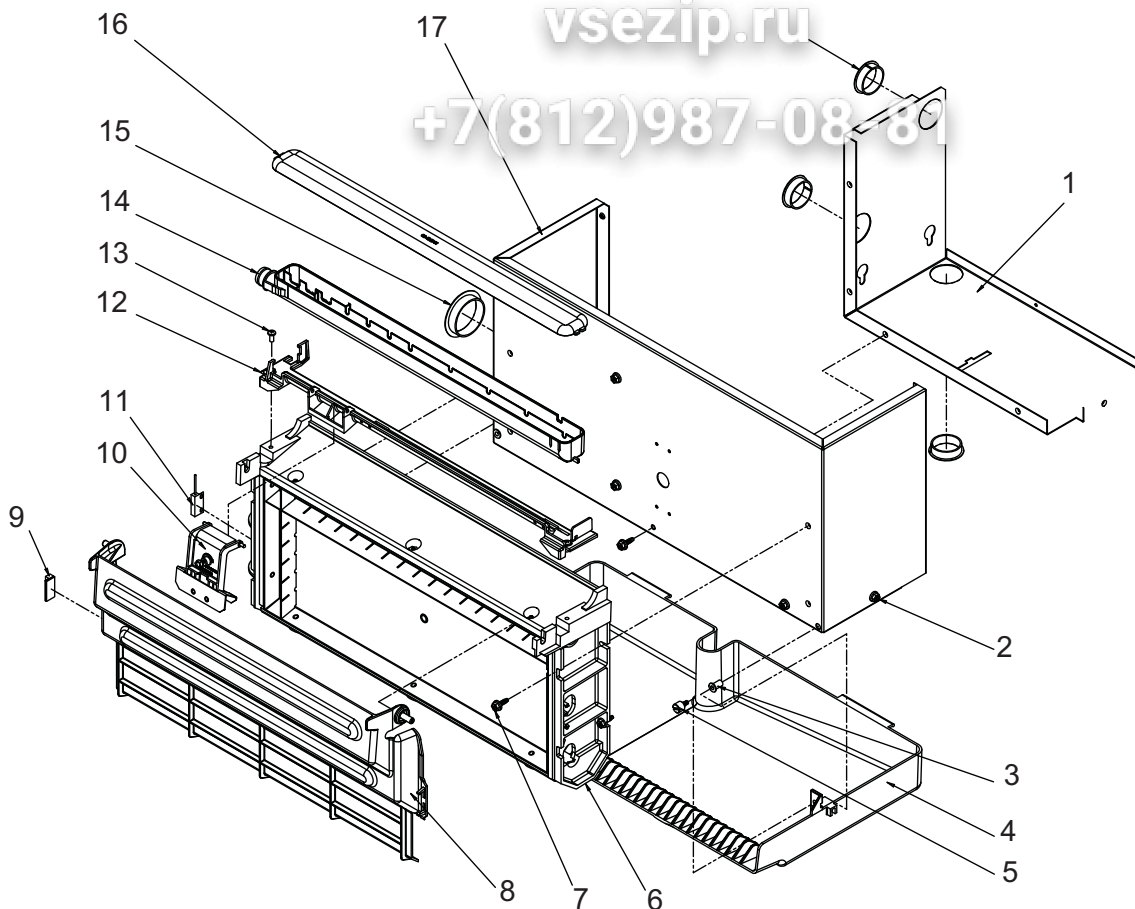
# CU1526, CU2026, CU3030 Service Parts

Зип Общепит

## CU1526 and CU2026 Ice Making Area

vsezip.ru

+7(812)987-08-81



Item Number	Part Number	Description
1	A39090-001	Support
2	03-3868-01	Screw
3	03-1692-01	Insert
4	02-4315-01	Reservoir
5	03-3909-01	Shoulder screw
6	A38626-021	Evaporator, small cube
	A38626-022	Evaporator, med cube
7	03-3868-01	Screw
8	02-4307-01	Curtain - no mag
9	11-0563-05	Magnet
10	A39031-021	Ice thickness sensor
11	11-0563-04	Curtain switch
12	02-4205-01	Mounting bracket
13	03-1403-15	Screw
14	02-4064-01	Water distributor
15	12-1213-15	Snap bushing
16	02-4065-01	Water distributor cover
17	A39091-001	Evaporator mounting bracket

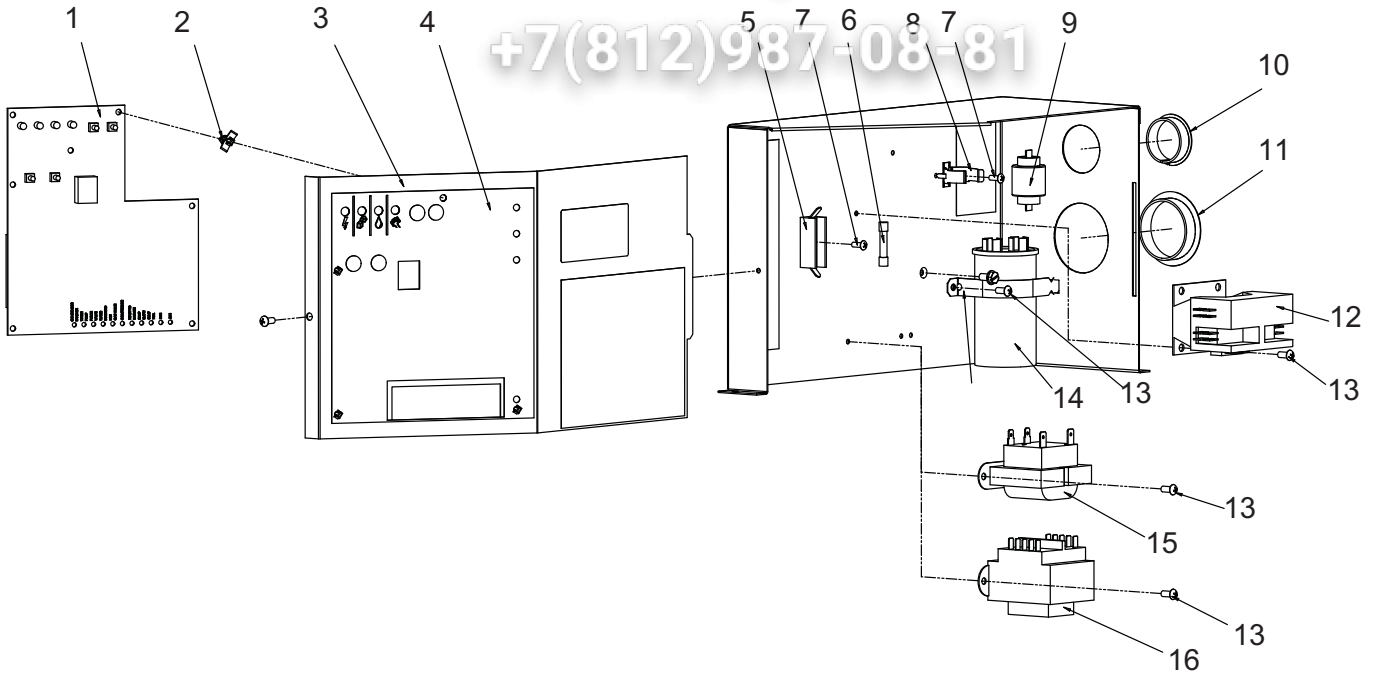
# CU1526, CU2026, CU3030 Service Parts

Зип Общепит

## CU1526 and CU2026 Electrical

vsezip.ru

+7(812)987-08-81



Item Number	Part Number	Description
1	11-0550-27	Controller
2	03-1727-02	Stand off
3	A39081-001	Control box cover
4	02-4302-01	Overlay
5	12-2687-01	Fuse block, 50 Hz only
6	12-2686-01	Fuse, 50 Hz only
7	03-1638-06	Screw
8	18-8835-02	Bracket, PTCR
9	18-8835-01	PTCR
10	12-1213-13	Snap bushing
11	12-1213-15	Snap bushing
12	12-2469-03	Contactator, 115/60
	12-2469-02	Contactator, 230/60-50
13	03-1531-01	Screw
14	18-1902-52	Run capacitor, for all but CU2026-6
	18-8878-01	Run capacitor, CU2026 50 Hz
15	12-2924-01	Transformer, 115 to 12
	12-2924-02	Transformer, 60 Hz, 230 to 12
16	12-2639-01	Transformer, 50 Hz, 230 to 12

### Not Shown

NS1	12-2959-01	High voltage harness - 60 Hz
NS2	12-2988-01	High voltage harness - 50 Hz
NS3	12-2931-01	Control power harness - 60 Hz
NS4	12-2944-01	Control power harness - 50 Hz
NS5	12-1638-14	Power cord, 115/60
NS6	12-1638-18	Power cord, 208-230/60
NS7	12-1638-22	Power cord, 230/50
NS8	12-3020-01	Harness, On/Off switch to connector*
NS8A	12-3020-02	Harness, item NS8 to transformer*
NS9	12-2936-01	Fan motor harness

\* Early harness was one piece, changed Sept 08 to include a connector. Order both NS8 and NS8A to replace early harness.