

CME306 and CME456 Service Parts

This parts list contains the parts numbers for the CME306 and CME456 air and water cooled models.

The title at the top of the page identifies which model the parts list applies to.

The machines are available in 115/60 or 230/60 or 230/50 electrical configurations.

The A and B series have different water cooled condensers. C series has a different expansion valve and fan motor bracket, as well as the B series water cooled condenser.

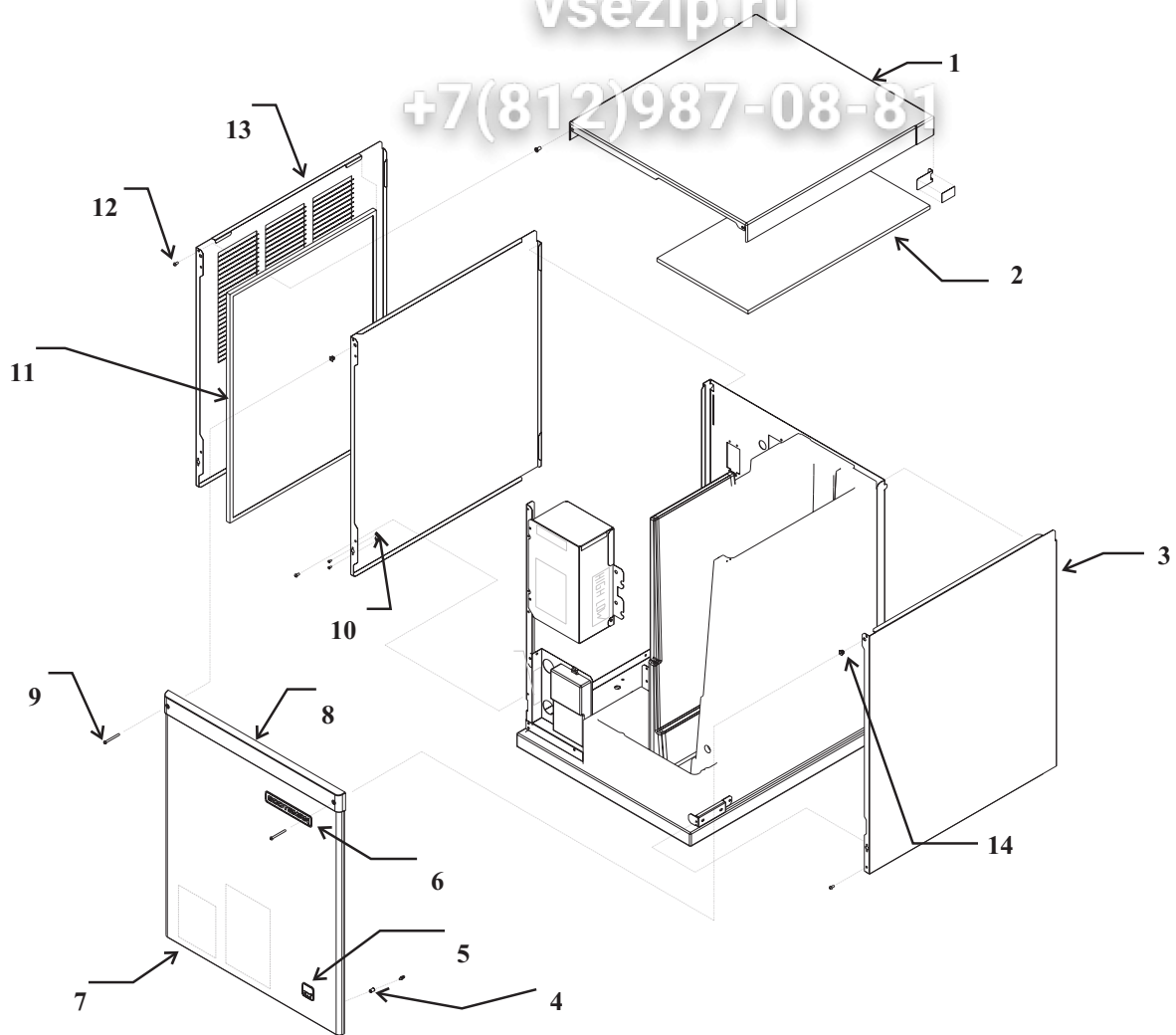
Be sure to check the description to confirm that the correct part number is being ordered.

Table of Contents

Cabinet	Page 2
Water Pump and Sensor	Page 3
Evaporator and Water Distribution	Page 4
CME306 Air Cooled Refrigeration	Page 5
CME456 Air Cooled Refrigeration	Page 6
Air Cooled Section	Page 7
Interior Parts	Page 8
CME306 Water Cooled Refrigeration	Page 9
CME456 Water Cooled Refrigeration	Page 10
Water Cooled Section	Page 11
Control Box and Electrical	Page 12
Wiring Diagram	Page 13

CME306 and CME456 Service Parts

Cabinet

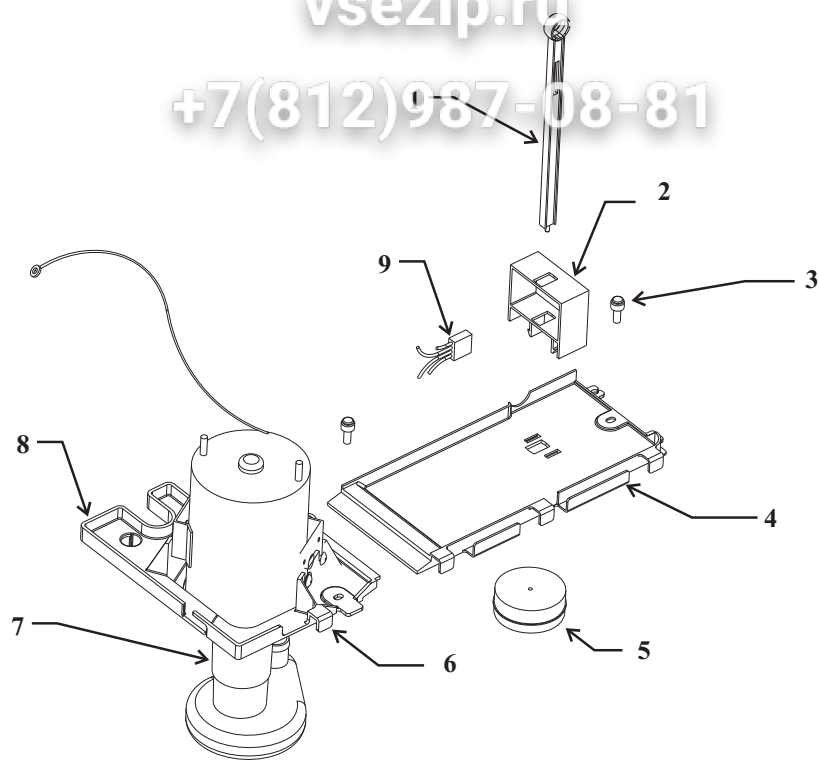


Item Number	Part Number	Description
1	02-3820-21	Top panel, plastic, includes item 2
2	02-3835-01	Insulation
3	A37513-021	Right side panel, includes catches
4	03-1733-01	Strike
	03-1734-01	Insert
5	15-0792-02	CM3 emblem
6	15-0808-01	Emblem
7	A37577-021	Front panel, includes trim strip, strikes and emblems
8	02-3819-31	Trim strip
9	03-1735-03	Screw
10	03-1733-02	Catch
11	02-2976-01	Filter for air cooled
12	03-1531-01	Screw
13	A37521-021	Left side panel, AC
	A37531-021	Left side panel, WC
14	03-3804-01	Catch

CME306 and CME456 Service Parts

Water Pump and Sensor

+7(812)987-08-81



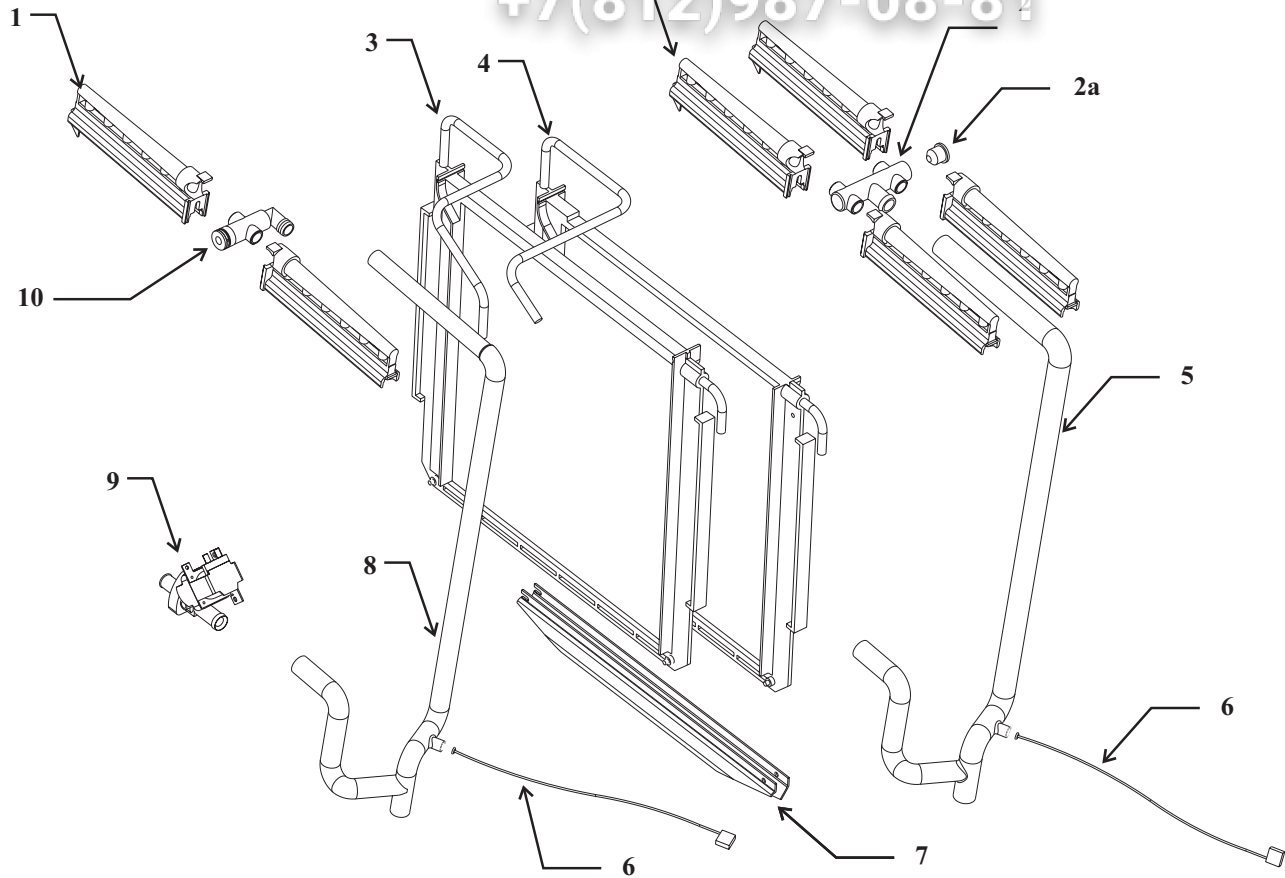
Item Number	Part Number	Description
1	02-3777-03	Float stem
2	11-0539-51	Water level sensor
3	03-1691-01	Screw
4	02-3803-01	Sump cover
5	02-3341-01	Float
6	02-3813-01	Pump bracket - front half
7	12-2586-21	Water pump, CME306 115/60
	12-2586-26	Water pump, CME306 all 230 volt
	12-2586-27	Water pump, CME456 115/60
	12-2586-23	Water pump, CME456 all 230 volt
8	02-3802-01	Pump bracket, back half
9	12-2665-01	Harness

CME306 and CME456 Service Parts

Evaporator and Water Distribution

vsezip.ru

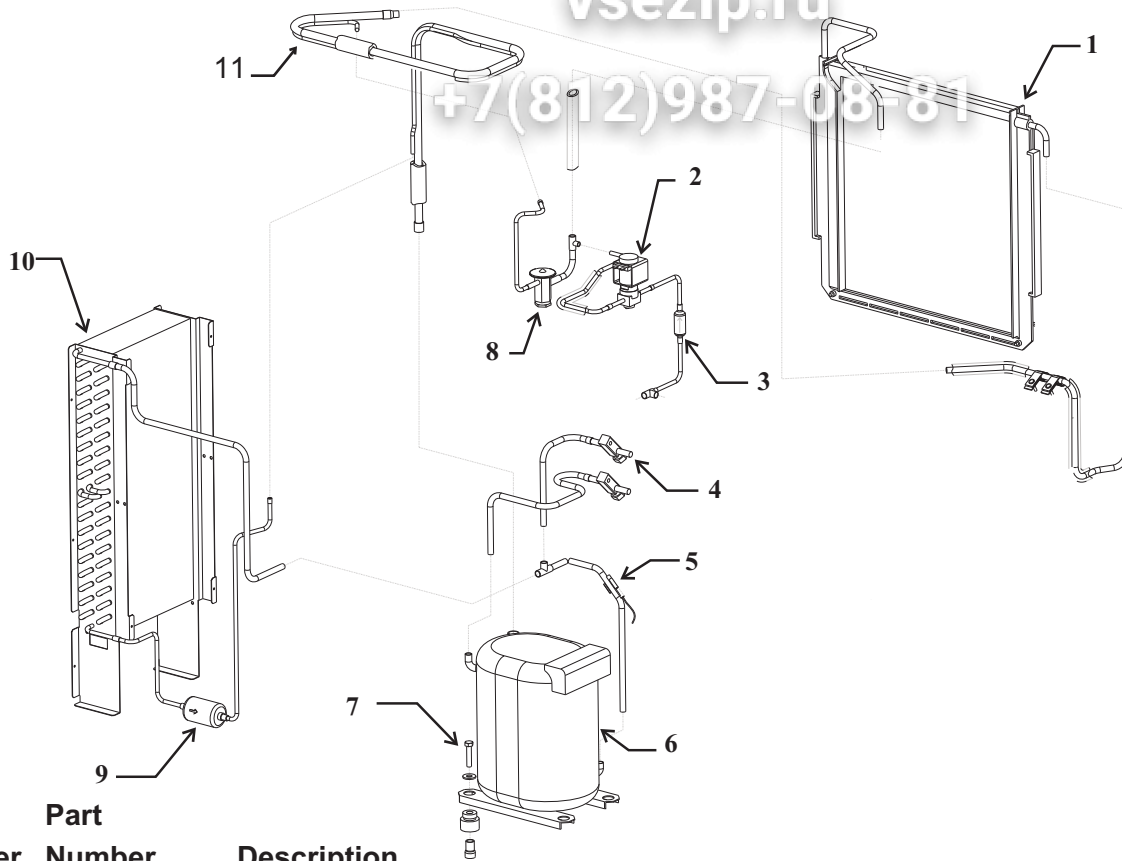
+7(812)987-08-81



Item Number	Part Number	Description
1	02-2527-01	Water distributor
2	02-3811-01	Manifold (456 only)
2a	13-0840-01	Rubber plug
3	A37575-022	Left evaporator
4	A37575-021	Right evaporator (456 only)
5	02-3807-01	Water hose, CME456 only
6	11-0545-21	Temperature sensor, includes discharge sensor
7	02-3824-01	Water trough CME456 only
8	02-3814-01	Water hose, CME306 only (1 plate)
9	11-0514-02	Purge valve, 115/60 Hz
	11-0514-01	Purge valve, 230 volt
10	A30926-001	Water manifold, CME306 only

CME306 and CME456 Service Parts

CME306 Air Cooled Refrigeration



Item Number	Part Number	Description
1	A37575-022	Evaporator
2	12-2471-01	Hot gas valve
3	16-1063-02	Strainer
4	16-0832-21	Access valve
	16-0832-03	Port cap
	16-0832-02	Stem cap
5	11-0545-21	Discharge sensor, includes water sensor
6	18-8838-21	Compressor, 115/60, includes PTCR, Run Cap and drier. RS43C2E-CAA-213
	18-5700-50	Overload for above
	18-8838-22	Compressor, 230/50, includes drier
	18-5700-55	Overload for above
	18-8838-23	Compressor, 230/60. RS43C2E-CAV-213
	18-8838-50	Overload for above
7	03-1405-20	Screw
	03-1407-07	Washer
	18-2200-28	Grommet
	18-2200-27	Sleeve
8	16-1009-22	TXV, AN ½ SZ. For A and B series.
	02-3792-02	Insulation for TXV. For A and B series
	16-1115-21	TXV for C series, includes insulation. Insulation for Danfoss TXV: 02-4045-01
9	02-3319-01	Filter drier
10	18-8833-01	Air cooled condenser
11	A37538-001	Suction line

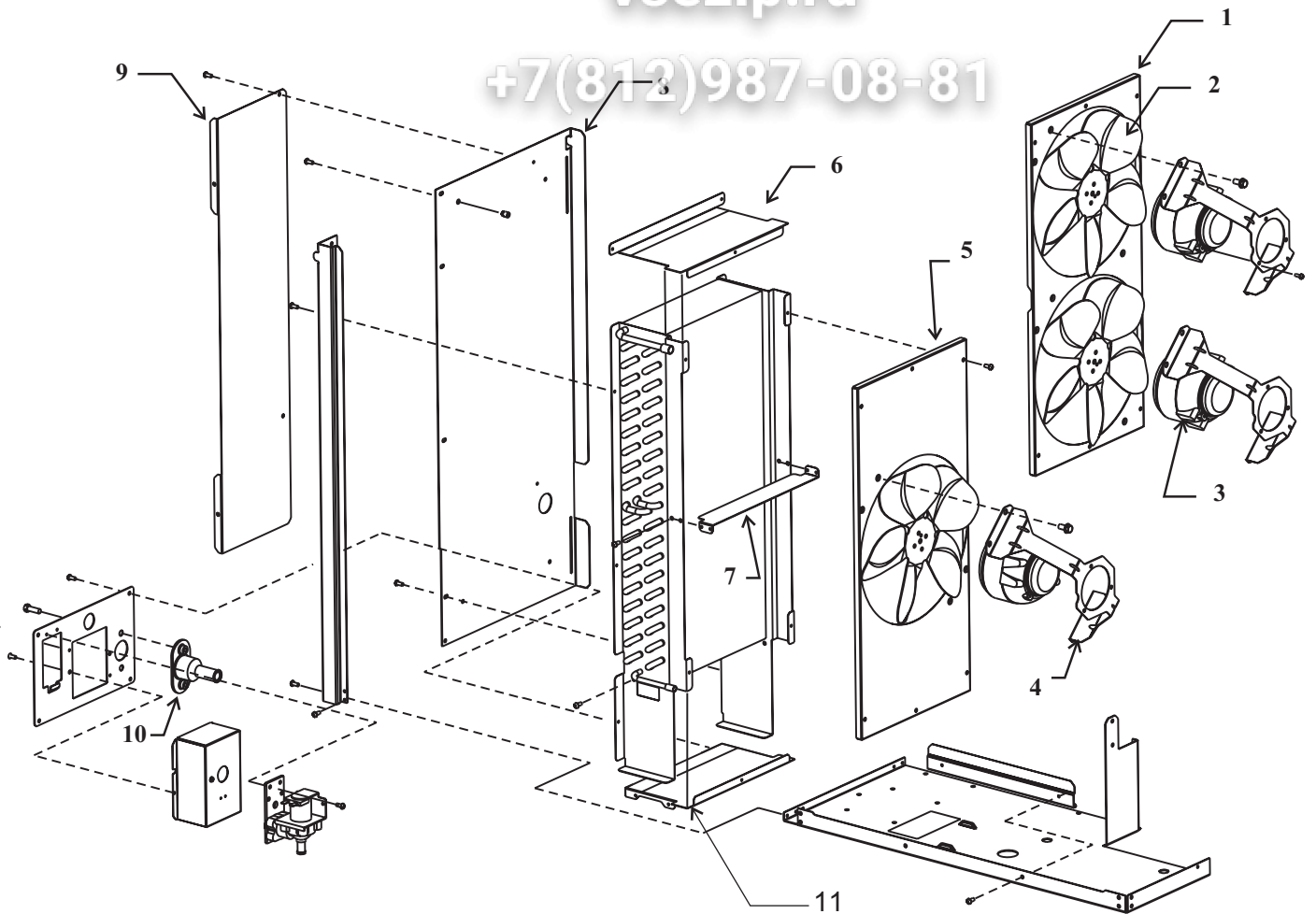
CME306 and CME456 Service Parts

Air Cooled Section

Зип Общепит

vsezip.ru

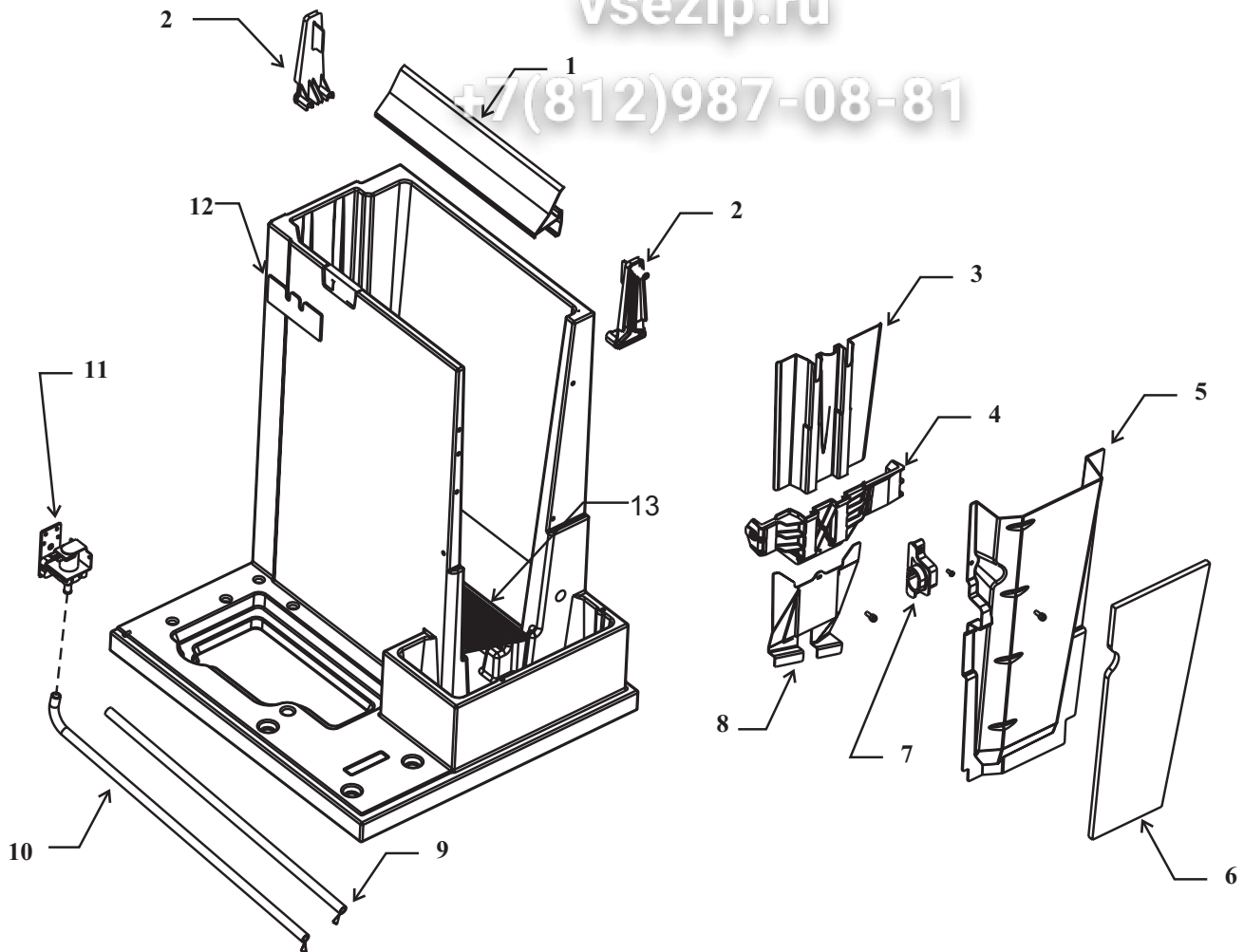
+7(812)987-08-81



Item Number	Part Number	Description
1	A37576-001	Shroud for CME456
2	18-8836-01	Fan blade
3	12-1681-23	Fan motor, 115/60
	12-1681-04	Fan motor, 230 volt
4	A37503-001	Fan motor bracket for A or B series (or E M & S fan motor)
	A38480-001	Fan motor bracket for C series (or GE fan motor)
	03-1645-01	Screw, bracket to shroud
5	A37502-001	Shroud for CME306
6	A37613-001	Top of shroud
7	A37591-001	Divider
8	A37515-001	AC back panel
9	A37646-001	AC baffle
10	02-3692-21	Drain fitting
11	A37612-001	Shroud bottom

CME306 and CME456 Service Parts

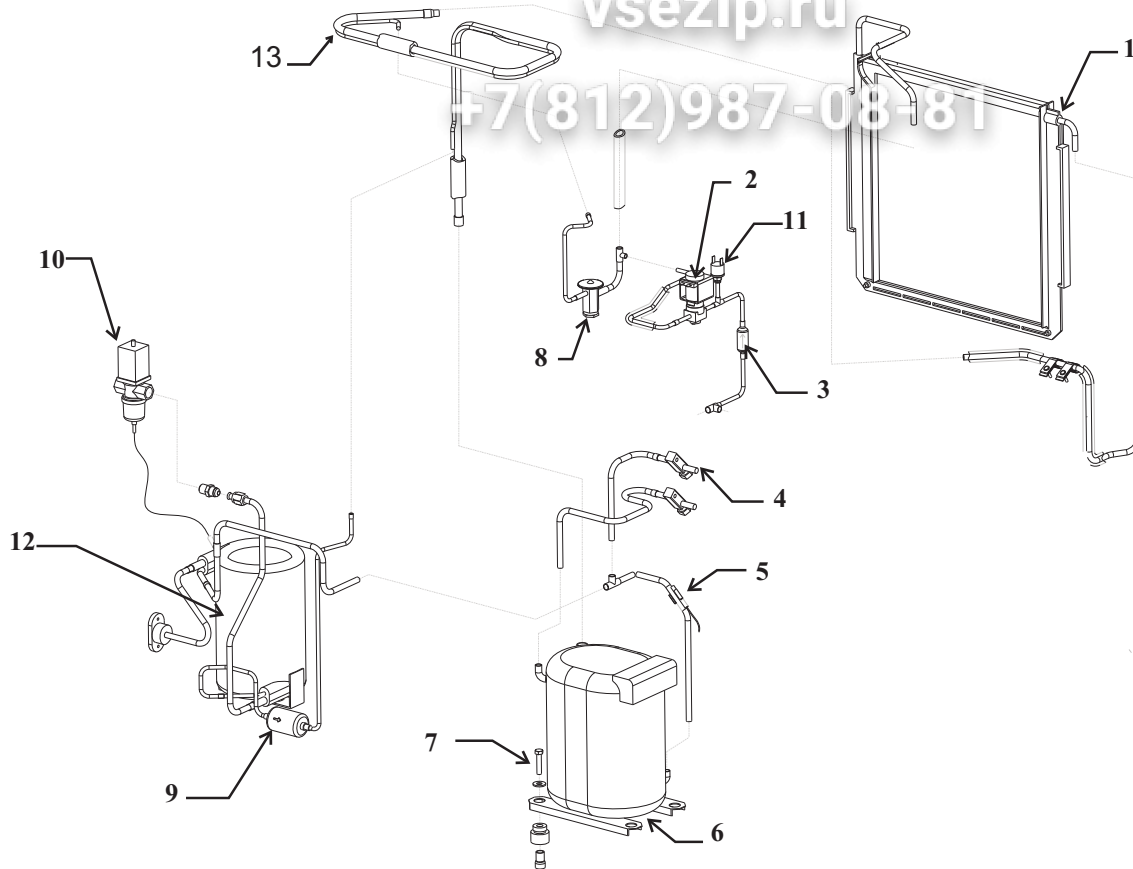
Interior Parts



Item Number	Part Number	Description
1	02-3765-02	Cascading shield, CME456 only
2	11-0540-21	Ice Sensors, set of two
3	02-3808-01	Upper splash panel
4	02-3805-01	Evaporator support
5	02-3815-01	Evaporator cover
6	02-3834-01	Insulation
7	02-3816-01	Grommet
8	02-3806-01	Lower splash panel
9	13-0674-02	Tubing, WC only, order 2 units (ft)
10	02-3812-01	Tubing, AC only
	15-0821-01	Tube, 50 Hz WRAS listed units
11	12-2548-01	Water valve
	11-0568-01	Water valve, 50 Hz WRAS listed units
12	02-3833-02	Grommet seal
	02-3833-01	Grommet
13	02-3801-01	Ice deflector

CME306 and CME456 Service Parts

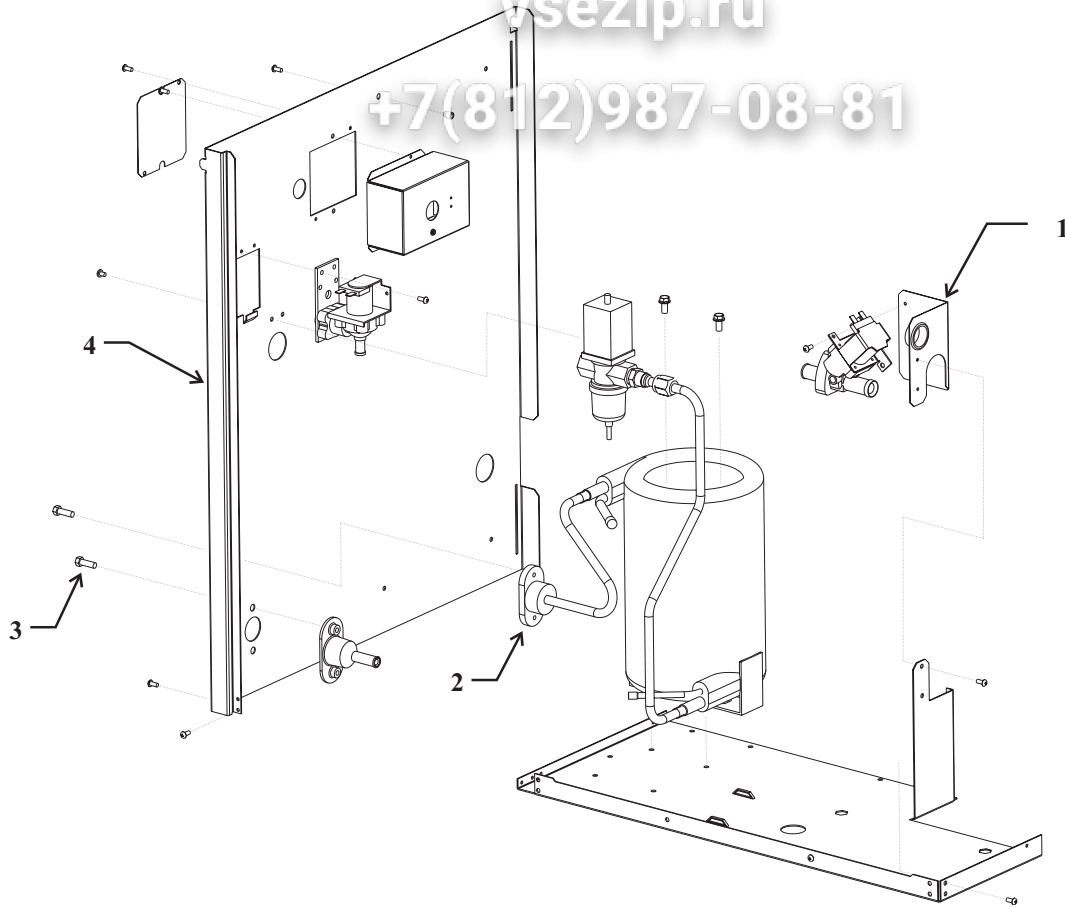
CME306 Water Cooled Refrigeration



Item Number	Part Number	Description	Item Number	Part Number	Description
1	A37575-022	Evaporator	8	16-1009-22	TXV, AN ½ SZ. For A and B series
2	12-2471-01	Hot gas valve		02-3792-02	Insulation for TXV For A and B series
3	16-1063-02	Strainer		16-1115-21	TXV for C series, includes insulation.
4	16-0832-21	Access valve		02-4045-01	Insulation for C series TXV
	16-0832-03	Port cap	9	02-3319-01	Filter drier
	16-0832-02	Stem cap	10	11-0478-01	Water regulating valve
5	11-0545-21	Discharge sensor, includes water sensor	11	11-0501-21	Hi pressure cut out
6	18-8838-21	Compressor, 115/60, includes PTCR and drier RS43C2E-CAA-213	12	18-3306-25	A Series water cooled condenser
	18-5700-50	Overload for above		18-8871-21	B or C Series water cooled condenser
	18-8838-22	Compressor, 230/50, includes drier	13	A37538-001	Suction line
	18-5700-55	Overload for above			
	18-8838-23	Compressor, 230/60. RS43C2E-CAV-213			
	18-8838-50	Overload for above			
7	03-1405-20	Screw			
	03-1407-07	Washer			
	18-2200-28	Grommet			
	18-2200-27	Sleeve			

CME306 and CME456 Service Parts

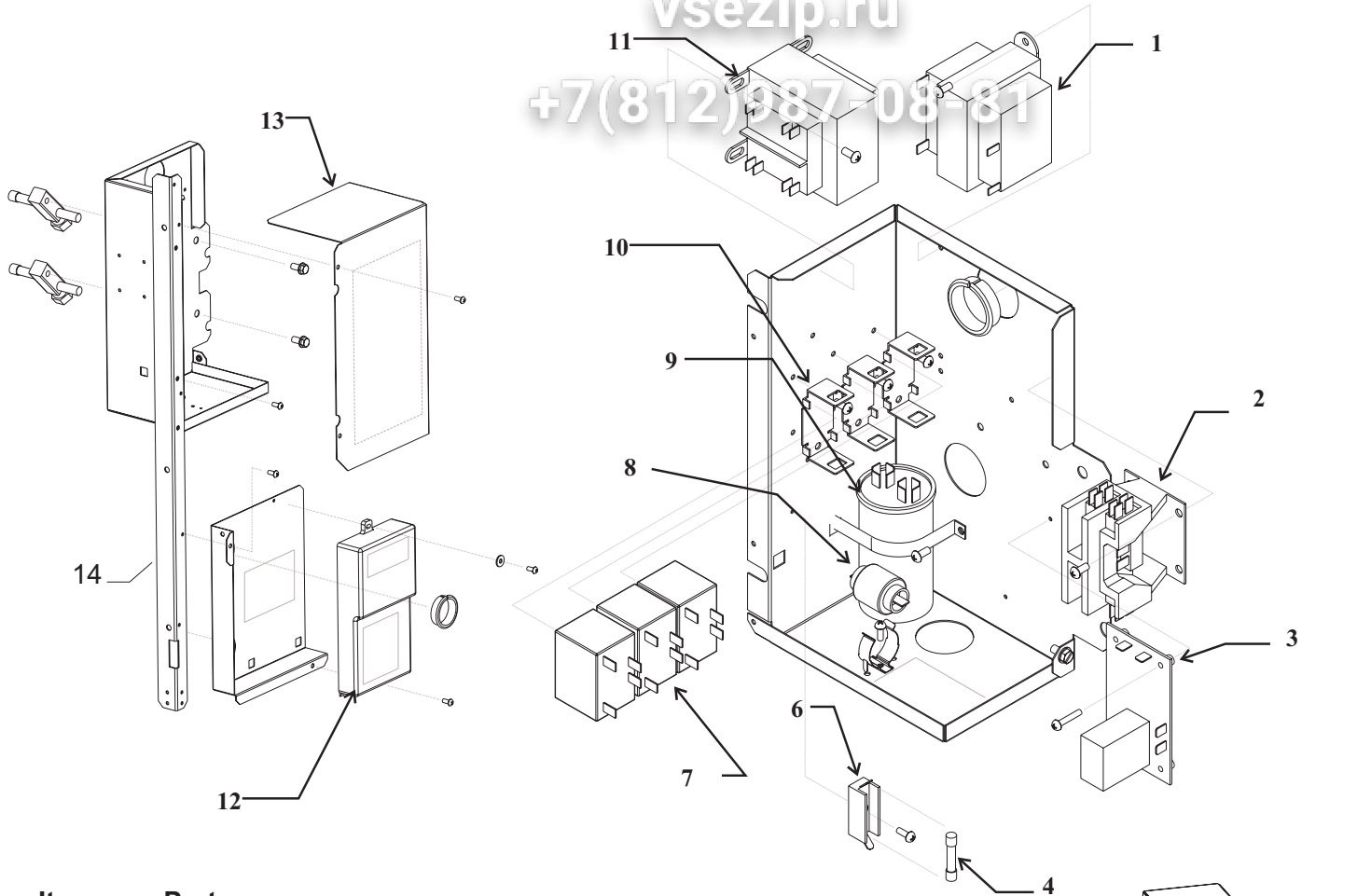
Water Cooled Section



Item Number	Part Number	Description
1	A37507-001	Purge valve bracket, also used on air cooled
2	A31828-002	Drain casting
3	03-0571-01	Screw
4	A37600-001	Back panel for water cooled

CME306 and CME456 Service Parts

Control Box and Electrical



Item Number	Part Number	Description
1	12-2836-01	Transformer 115/60/1 only
	12-2836-02	Transformer, 230/60/1 only
2	12-2469-01	Contactor
3	11-0531-21	Purge valve timer
4	12-2686-01	Fuse for 230/50 only
5	12-2640-01	Terminal strip for 230/50 only
6	12-2687-01	Fuse holder 230/50 only
7	12-2679-01	Relay 230/50 only
8	18-8835-01	PTCR
9	18-1902-52	Run Cap, CME306 for 115/60 Hz
	18-1902-17	Run cap, for CME306 230/60 hz
	18-1902-45	Run Cap CME456 115/60
	18-1902-30	Run Cap for all CME456 230 volt
10	18-2200-35	Start Cap, CME306 230/50
	12-2680-01	Relay holder
11	12-2639-02	Transformer for 230/50/1 only
12	12-2838-23	Controller
13	A37510-001	Control box cover
14	A37505-001	Brace

Harnesses:

Hi Voltage:

12-2775-01	AC 230/50
12-2788-01	WC 230/50
12-2767-01	AC, WC 115/60

Low Voltage

12-2772-02	WC, 230/50
12-2772-01	AC, 230/50
12-2769-01	AC, WC 115/60

CME306 and CME456 Service Parts

60 Hz Wiring Diagram

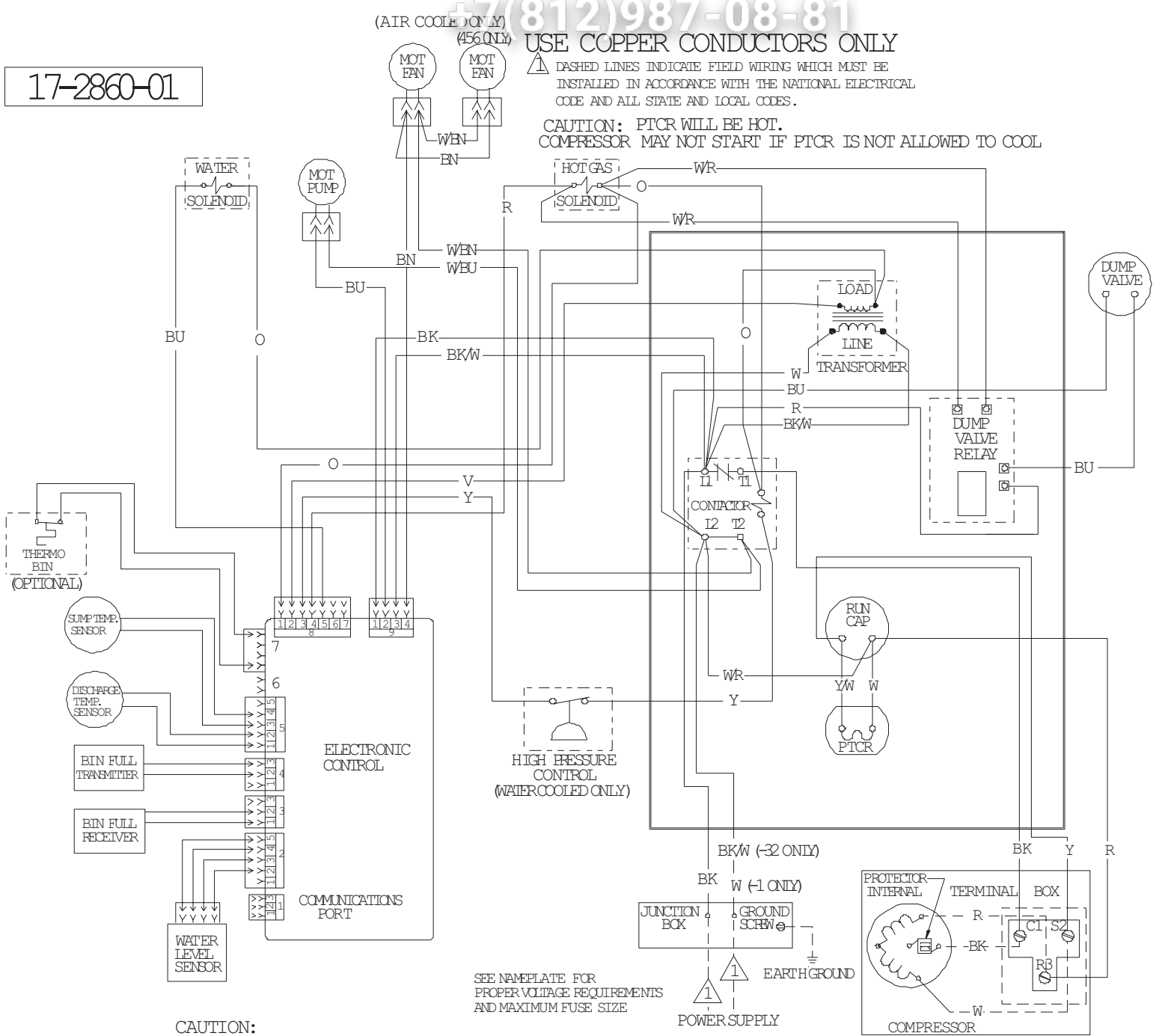
17-2860-01

(AIR COOLED ONLY)
(456 ONLY)

USE COPPER CONDUCTORS ONLY

⚠ DASHED LINES INDICATE FIELD WIRING WHICH MUST BE INSTALLED IN ACCORDANCE WITH THE NATIONAL ELECTRICAL CODE AND ALL STATE AND LOCAL CODES.

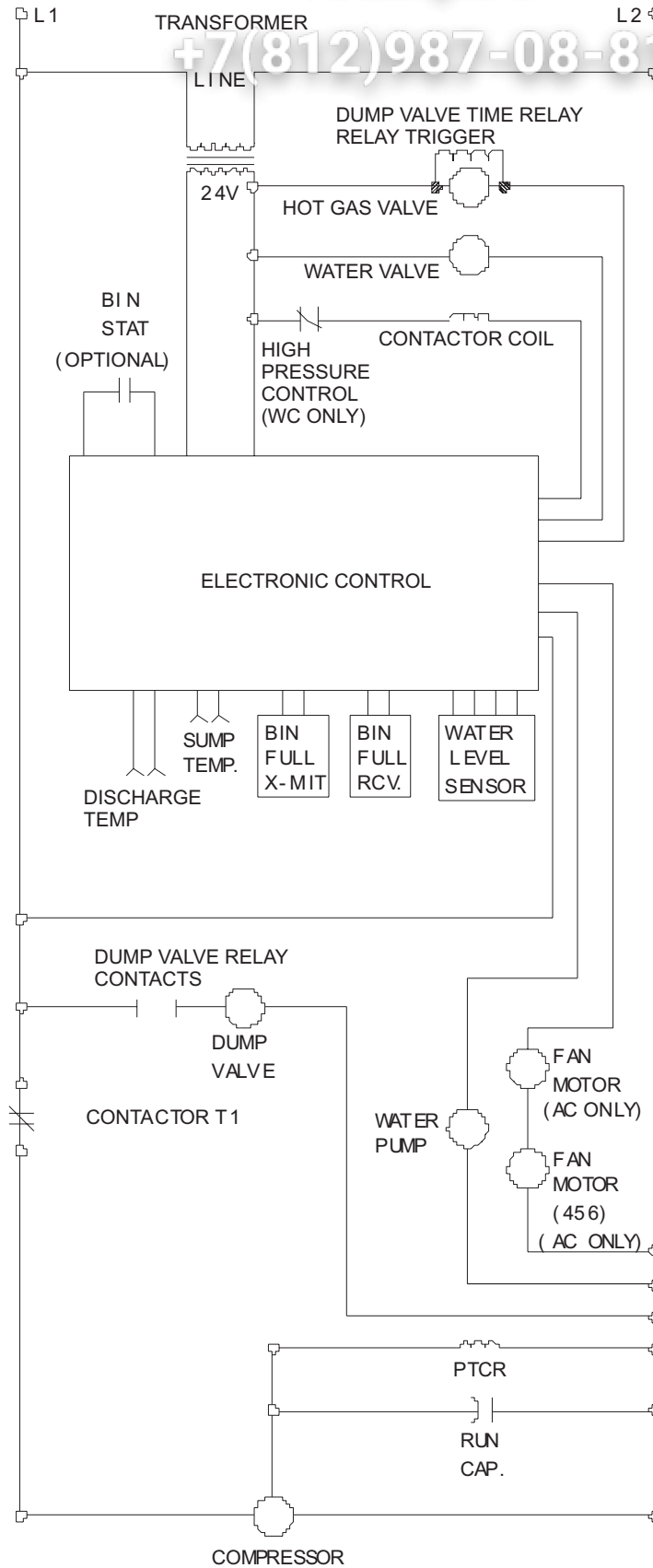
CAUTION: PTCR WILL BE HOT. COMPRESSOR MAY NOT START IF PTCR IS NOT ALLOWED TO COOL



THIS UNIT MUST BE GROUNDED. MORE THAN ONE DISCONNECT MEANS MAY BE REQUIRED TO DISCONNECT ALL POWER TO THIS UNIT.

CME306 and CME456 Service Parts

60 Hz Schematic Diagram



Зип Общепит

vsezip

+7(812)987-08-81

17-2790-01

USE COPPER CONDUCTORS ONLY

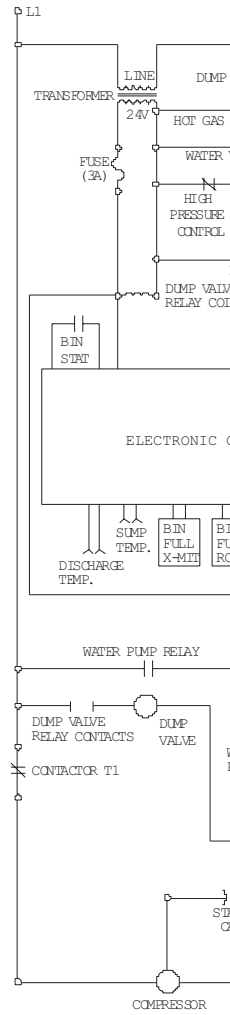
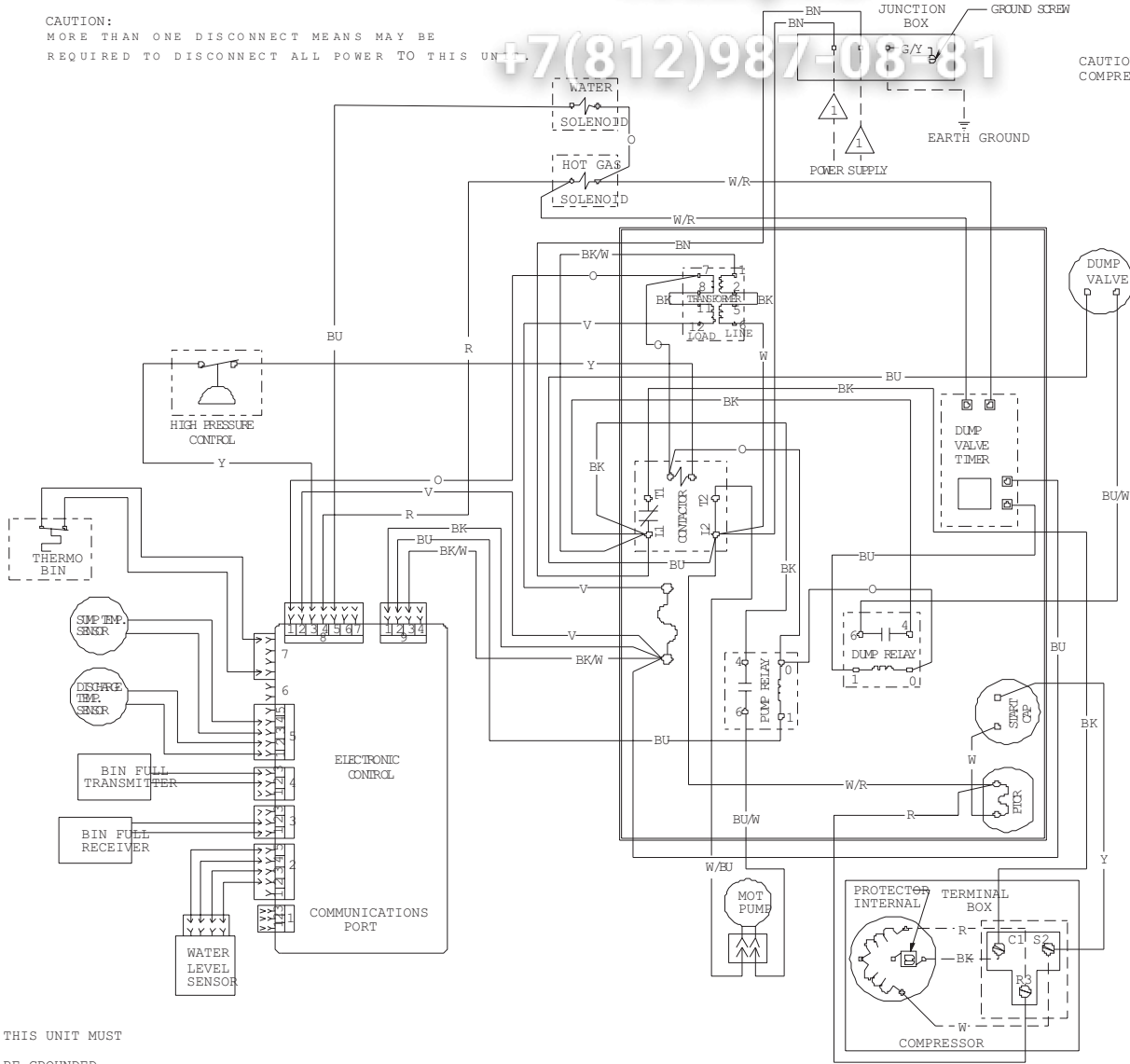
CAUTION: MORE THAN ONE DISCONNECT MEANS MAY BE REQUIRED TO DISCONNECT ALL POWER TO THIS UNIT.

SEE NAME PLATE FOR
POWER VOLTAGE REQUIREMENTS
AND MAXIMUM FUSE SIZE

⚠ DASHED LINES INDICATE FIELD INSTALLED IN ACCORDANCE WITH LOCAL ELECTRICAL CODE AND ALL STATE AND LOCAL REGULATIONS.

CAUTION: PTCR WILL BE HOT. COMPRESSOR MAY NOT START IF PTCR IS NOT

January 2000
Page 18



THIS UNIT MUST BE GROUNDED.