

CM500 SERVICE PARTS

This section contains the parts illustrations and parts lists for the CM500.

A "no number" designation, when found in the part number column, indicates the part in question is not available from Scotsman as an assembly. This designation is used only for clarity in making the list.

When ordering parts, to avoid costly delays and errors, give the part number, the complete description as shown in the list, and the quantity of each part or assembly required.

CM500's have been manufactured in "C", "D" and "E" series (as in CM500AE-1E).

Check the complete model number to match up with the correct part number in this list.

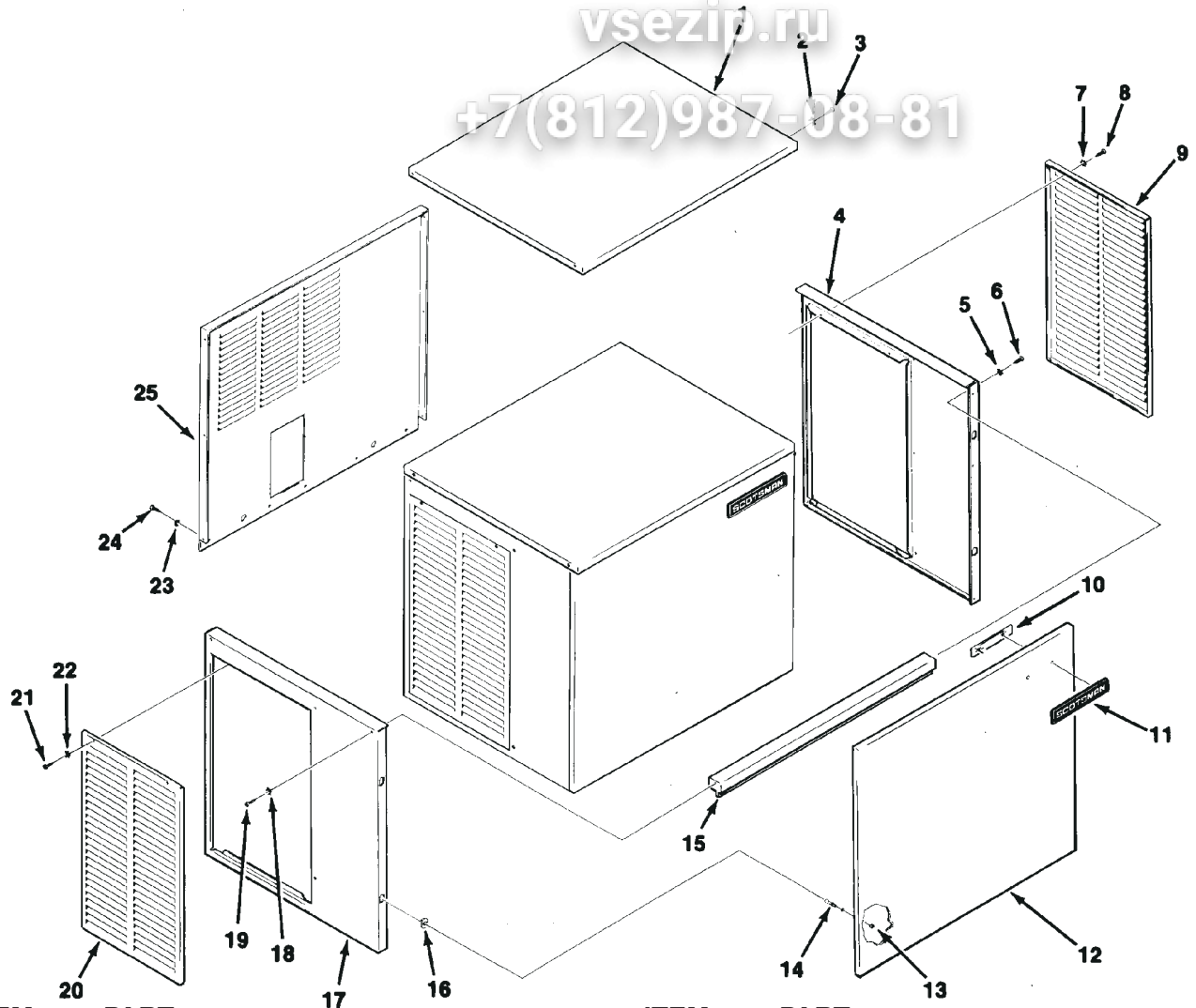
"E" series production began in June 1992. Major differences between the "D" and the "E" are the compressor and related starting components.

TABLE OF CONTENTS

Exterior Panels	2
Interior Panels	3
Air Cooled Refrigeration	4
Water Cooled Refrigeration	5
Water System	6
Control Box	7
Wiring Diagrams	8

CM500 SERVICE PARTS

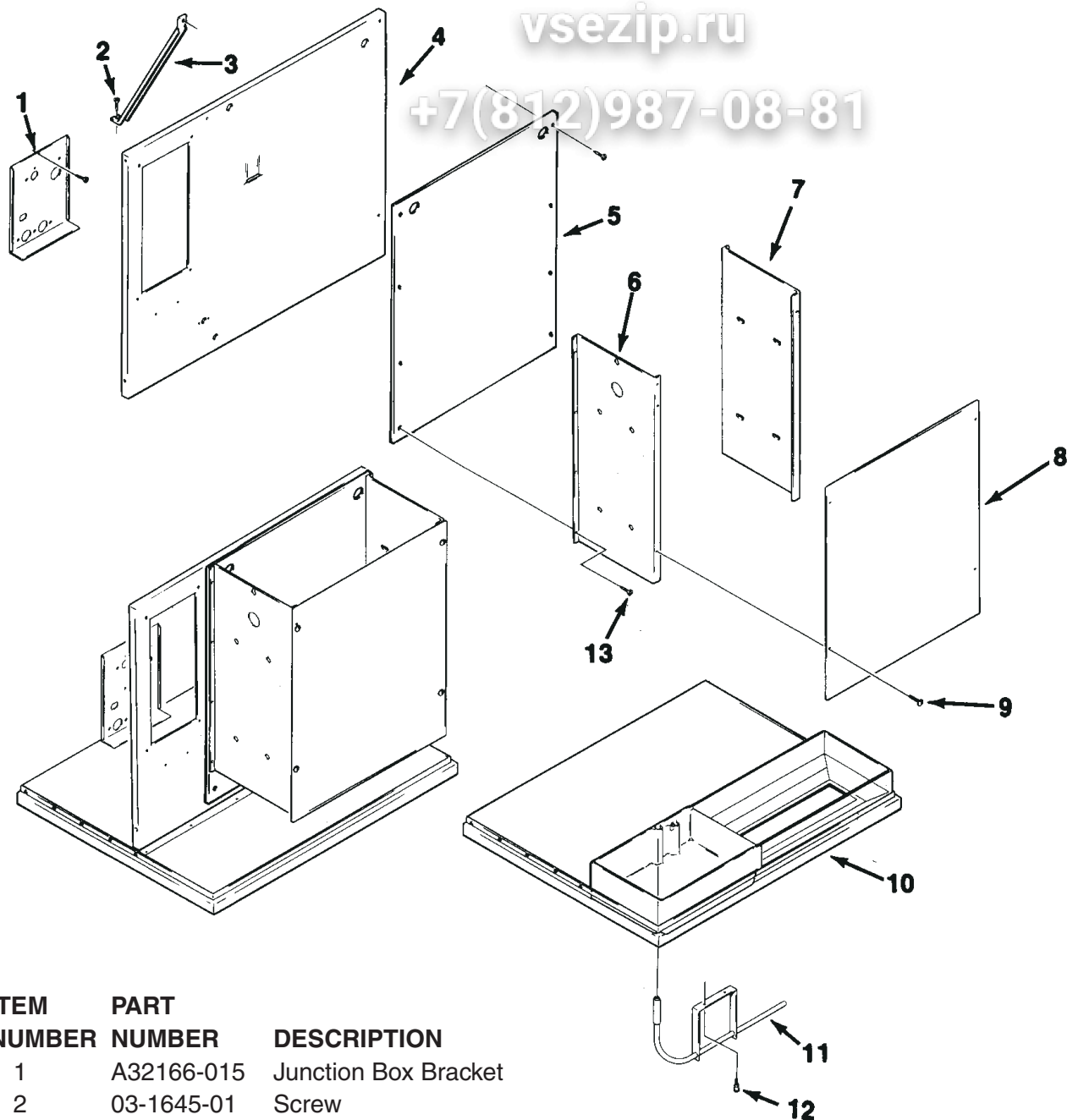
CABINET ASSEMBLY: D and E series, C series parts are obsolete.



ITEM NUMBER	PART NUMBER	DESCRIPTION	ITEM NUMBER	PART NUMBER	DESCRIPTION
1	A32159-001	Top Panel, Painted	13	03-1406-04	Nut
	A32159-002	Top Panel, S. S.	14	15-0411-00	Strike
2	03-1417-03	Lockwasher	15	A32169-001	Front Support
3	03-1531-01	Screw	16	02-0836-00	Cabinet Catch
4	A32162-001	Right End Panel, Paint	17	A32163-001	Left End Panel, Paint
	A32162-002	Right End Panel, S.S.		A32163-002	Left End Panel, S.S.
5.	03-1417-03	Lockwasher	18	03-1417-03	Lockwasher
6	03-1531-01	Screw	19	03-1531-01	Screw
7	03-1417-03	Lockwasher	20	A32161-001	Service Panel, sandalwood
8	03-1404-12	Screw		A33946-002	Service Panel, gray
9	A32161-001	Service Panel, Painted	Item 20 parts are plastic, fit late D and all E series		
	A32161-002	Service Panel, S.S.	21	03-1404-12	Screw
10	03-0271-00	Speed Nut	22	03-1412-03	Lockwasher
11	15-0711-01	Emblem	23	03-1417-03	Lockwasher
12	A32160-001	Front Panel, Painted	24	03-1531-01	Screw
	A32160-002	Front Panel, S.S.	25	A32202-003	Back Panel

CM500 SERVICE PARTS

CABINET INTERIOR: D and E series, C series parts are obsolete.



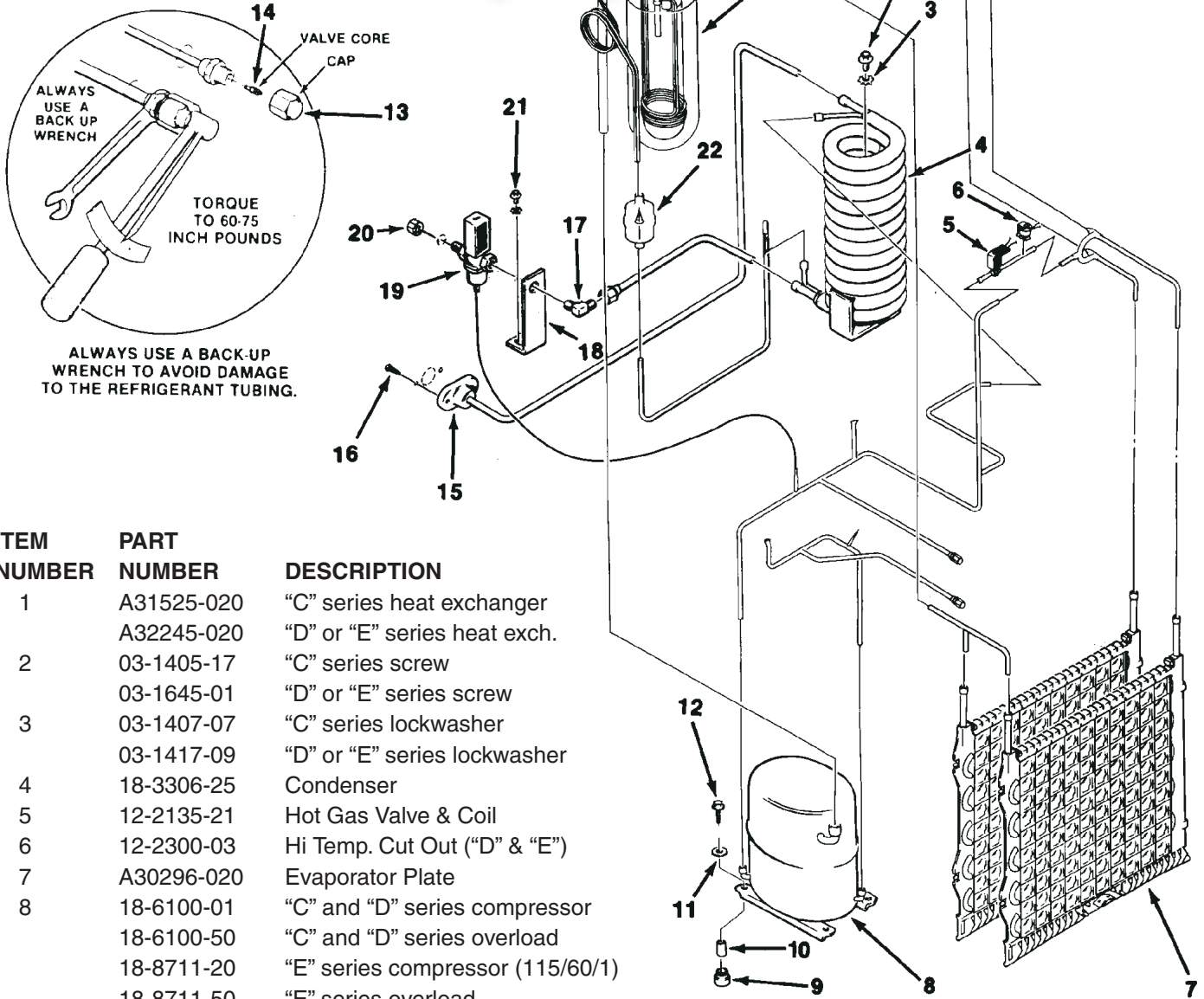
ITEM NUMBER	PART NUMBER	DESCRIPTION
1	A32166-015	Junction Box Bracket
2	03-1645-01	Screw
3	A32210-001	Support Brace
4	A32158-001	Retainer
5	02-2867-01	Splash Panel
6	A32173-001	Evaporator Bracket, left
7	A32172-001	Evaporator Bracket, right
8	02-3246-01	Evaporator Plate Cover
9	03-0727-09	Thumbscrew
10	A32153-001	Base
11	A32262-001	Bin Thermostat Bracket
12	03-0727-09	Thumbscrew
13	03-1531-02	Screw

CM500 SERVICE PARTS

WATER COOLED REFRIGERATION

3ip Офисенит
vsezip.ru

+7(812)987-08-81



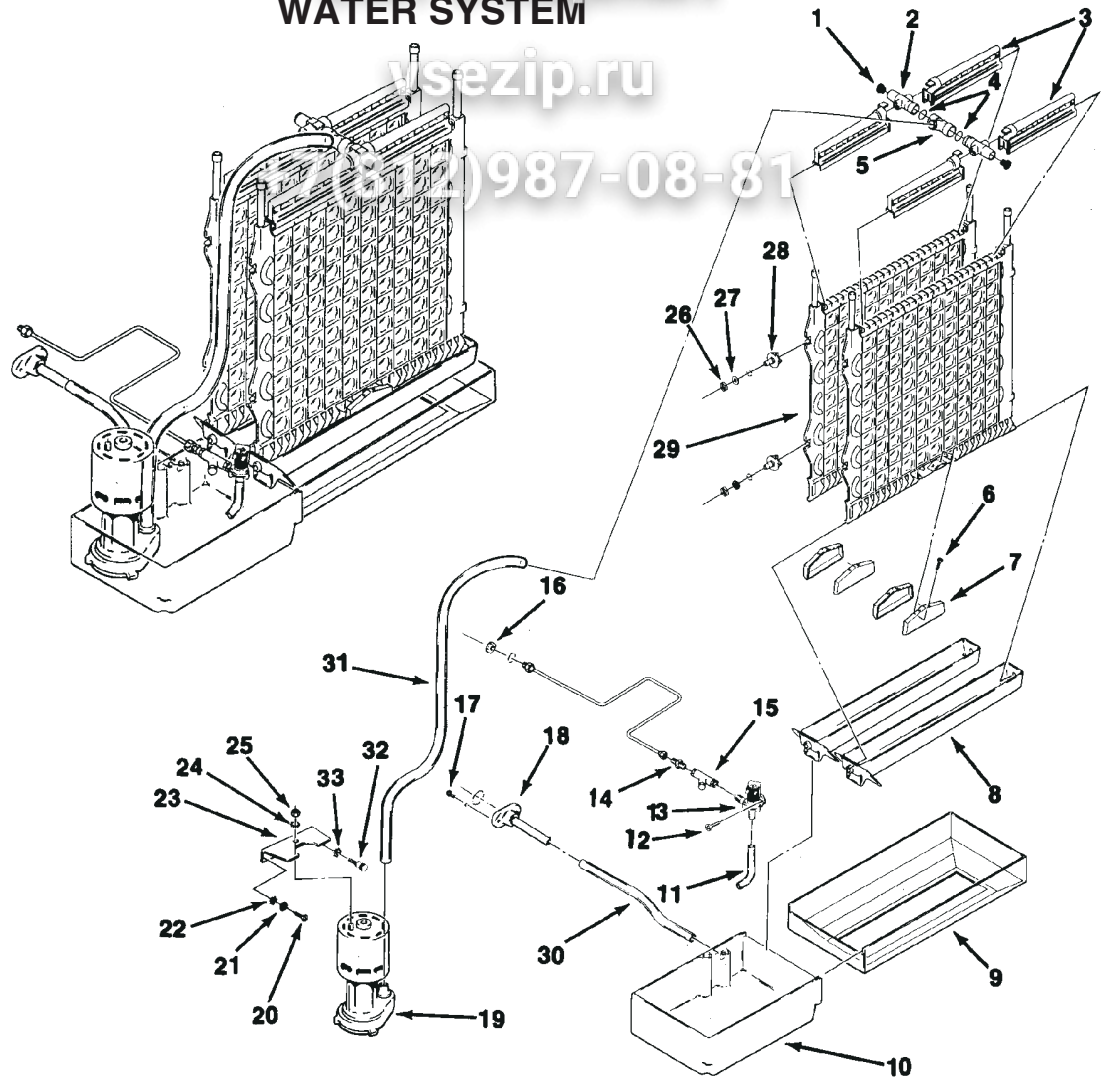
ITEM NUMBER	PART NUMBER	DESCRIPTION
1	A31525-020 A32245-020	"C" series heat exchanger "D" or "E" series heat exch.
2	03-1405-17 03-1645-01	"C" series screw "D" or "E" series screw
3	03-1407-07 03-1417-09	"C" series lockwasher "D" or "E" series lockwasher
4	18-3306-25	Condenser
5	12-2135-21	Hot Gas Valve & Coil
6	12-2300-03	Hi Temp. Cut Out ("D" & "E")
7	A30296-020	Evaporator Plate
8	18-6100-01 18-6100-50 18-8711-20 18-8711-50	"C" and "D" series compressor "C" and "D" series overload "E" series compressor (115/60/1) "E" series overload
9	18-6800-01	Mounting Grommet
10	18-2300-26	Sleeve
11	03-1407-07	Washer
12	03-1405-20	Screw
13	16-0563-00	Valve Cap
14	16-0560-00	Valve Core
15	A33363-001	Drain Fab Assembly

ITEM NUMBER	PART NUMBER	DESCRIPTION
16	03-1403-14	Screw
17	16-0401-02	Brass Elbow
18	no number	Bracket
19	11-0424-01	Water Reg. Valve
20	03-1394-01	Pal Nut
21	03-1403-14	Screw
22	02-3319-02	Filter Drier

Not Illustrated: Hot Gas Valve Filter, part number 02-3231-02 Use began with "E" series.

CM500 SERVICE PARTS

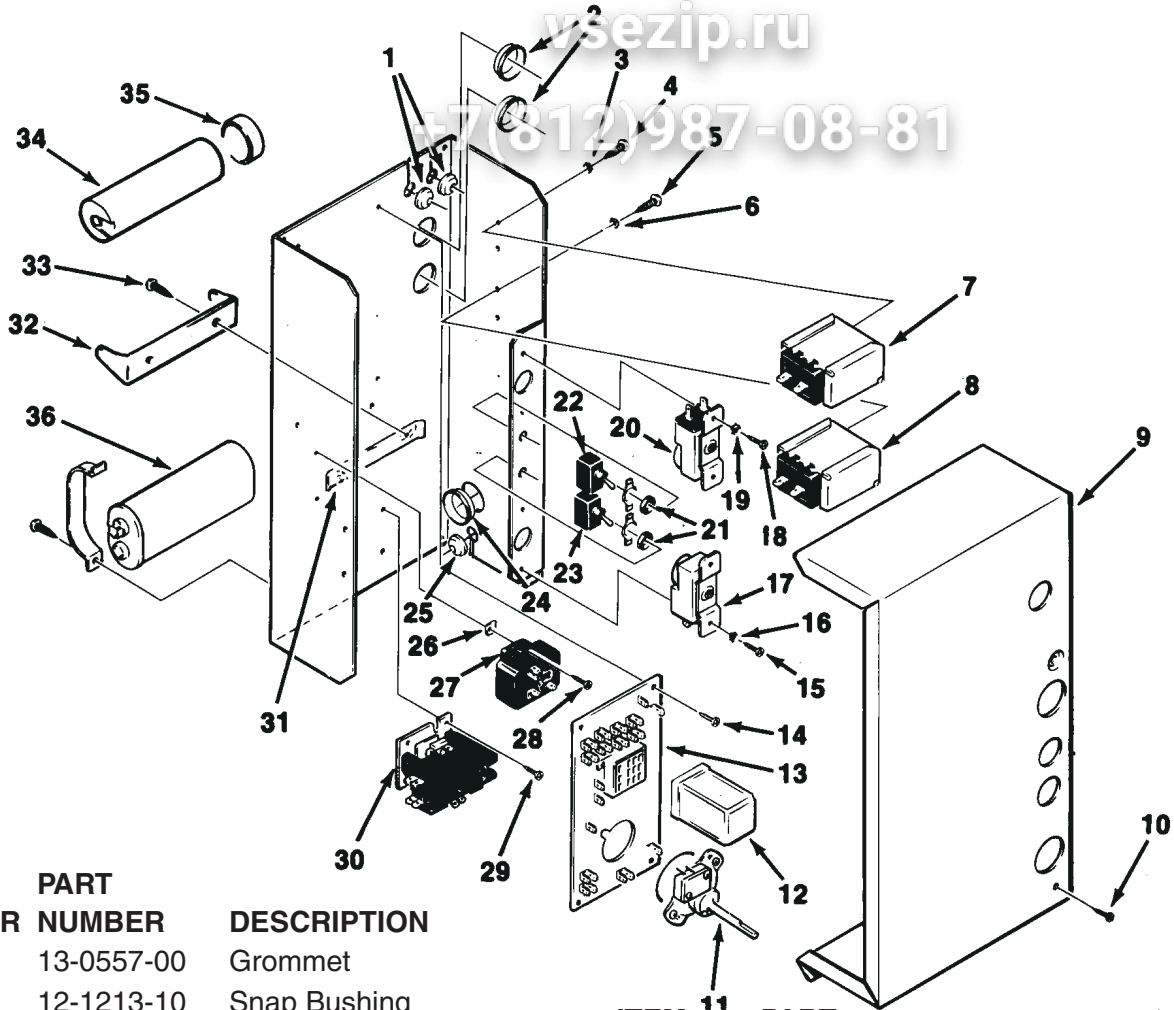
WATER SYSTEM



ITEM NUMBER	PART NUMBER	DESCRIPTION	ITEM NUMBER	PART NUMBER	DESCRIPTION
1	13-0840-01	Manifold Plug	17	03-1645-01	Screw
2	A29703-001	Manifold Water Tube	18	A32282-003	Drain Ass. (Air Cooled)
3	02-2527-01	Water Distrib. Tube	19	12-2265-21	Water Pump Assembly
4	13-0617-48	O-Ring (2)	20	03-1403-17	Screw
5	02-2519-01	Plastic Tee	21	03-1407-03	Washer
6	03-1404-10	Screw	22	03-1408-31	Washer
7	02-2878-01	Sump End Cover	23	A30914-002	Pump Mounting Bracket
8	02-2868-01	Drain Trough	24	03-1417-05	Lockwasher
9	no number	Cube Chute	25	03-1406-05	Nut
10	02-2812-02	Sump for "C" series	26	03-1394-03	Pal Nut
	02-2869-01	Sump for all others	27	03-1408-34	Special Washer
11	A30918-001	Sump Inlet Tube C thru early E	28	02-2642-01	Plate Mount
12	03-1531-01	Screw	29	A30296-020	Evaporator
13	12-2261-04	Solenoid valve "C" series	30	13-0674-07	Drain Hose, 8"
	12-2313-04	Solenoid valve, "D" or "E" series.	31	13-0674-07	Pump Hose, 33"
14	16-0791-01	Half Union	32	03-0727-09	Thumbscrew
15	16-0162-00	Strainer for D & early E series	33	03-1417-03	Lockwasher
16	03-1394-01	Pal Nut			

CM500 SERVICE PARTS

CONTROL BOX



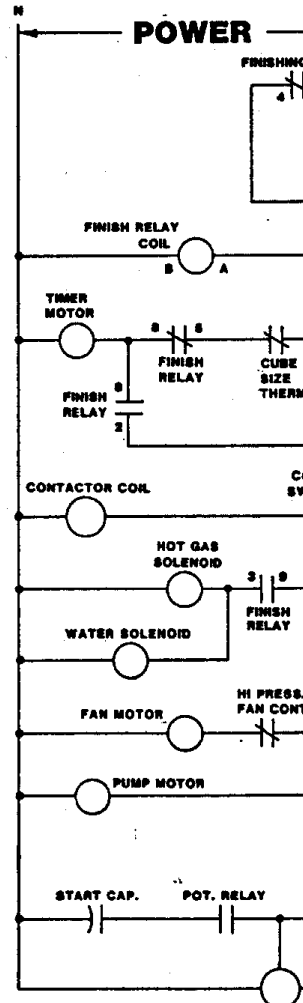
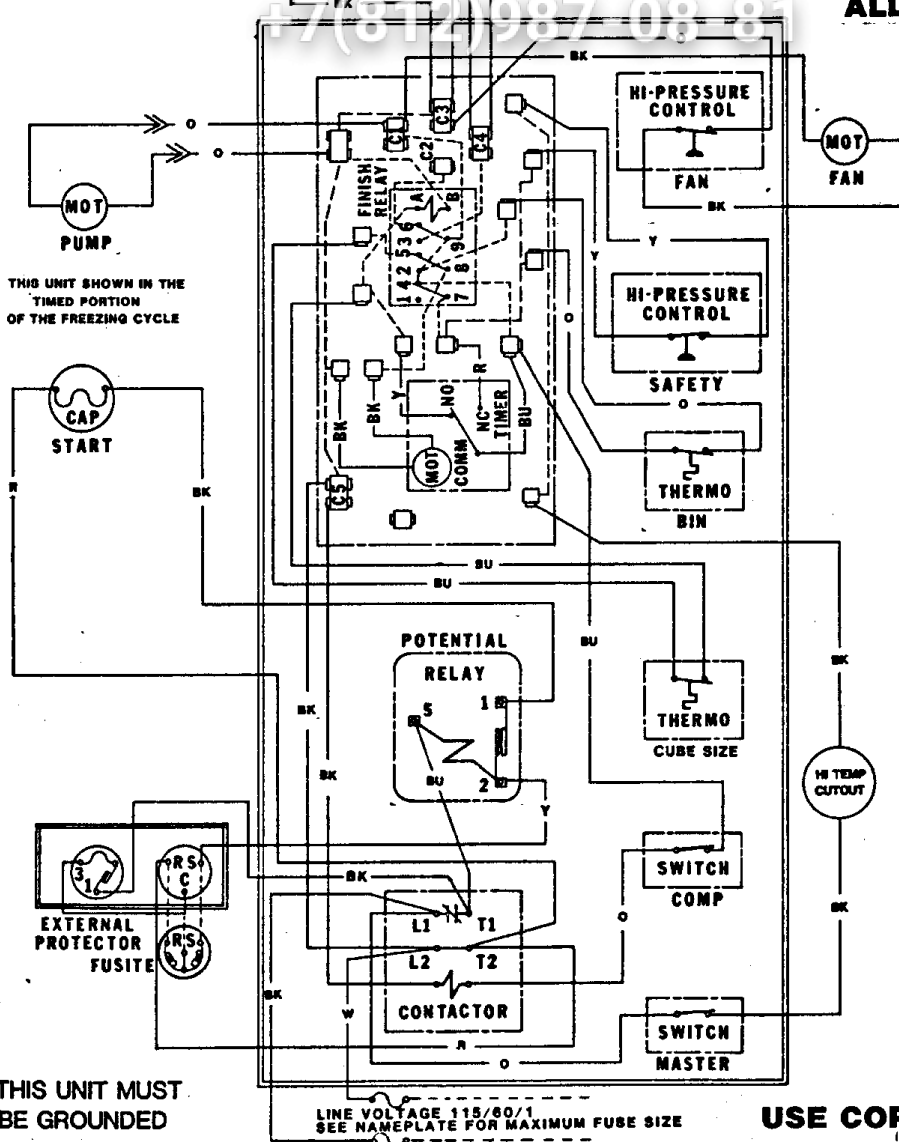
ITEM NUMBER	PART NUMBER	DESCRIPTION
1	13-0557-00	Grommet
2	12-1213-10	Snap Bushing
3	03-1417-18	Lockwasher
4	03-1403-02	Screw
5	03-1403-02	Screw
6	03-1417-18	Lockwasher
7	11-0426-22	Fan Control
8	11-0425-21	High Press. Safety -AC
	11-0410-22	High Press. Safety -WC
9	A32168-001	Control Box Cover
10	03-1531-01	Screw
11	12-1980-21	Timer & Switch
12	12-1879-02	Relay, 115 V
13	12-1912-01	Circuit Board
14	03-1403-02	Screw
15	03-1403-05	Screw
16	03-1417-03	Lockwasher
17	11-0427-22	Bin Thermostat
18	03-1403-05	Screw
19	03-1417-03	Lockwasher
20	11-0435-21	Cube Size Control

ITEM NUMBER	PART NUMBER	DESCRIPTION
11		
21	03-1417-16	Lockwasher
22	12-0426-01	Switch
23	12-0426-01	Switch
24	12-1213-17	Snap Bushing
25	13-0557-00	Grommet
26	03-1423-01	Speed Nut
27	18-1903-44	Potential Relay "C" & "D"
	18-1903-50	Potential Relay, "E" series
28	03-1403-02	Screw
29	03-1403-15	Screw
30	12-2469-03	Contactor,
31	no number	Twin Speed Nut
32	18-2200-39	Start Capacitor Bracket
33	03-1403-15	Screw
34	18-1901-42	Start Capacitor "C" & "D"
	18-1901-03	Start capacitor, "E" series
35	18-2200-38	Start Capacitor Cap.
36	18-1902-45	Run Capacitor "E" series only

A32045-001

CAUTION:
MORE THAN ONE DISCON
MAY BE REQUIRED TO DI
ALL POWER TO THIS UNI

Use of the High Temperature Cut Out begins with serial number 872530-01G
 Writing Diagram CM500AE-1C (11/5/60/1) Air - Cooled



THIS UNIT MUST BE GROUNDED

LINE VOLTAGE 115/60/1
 SEE NAMEPLATE FOR MAXIMUM FUSE SIZE

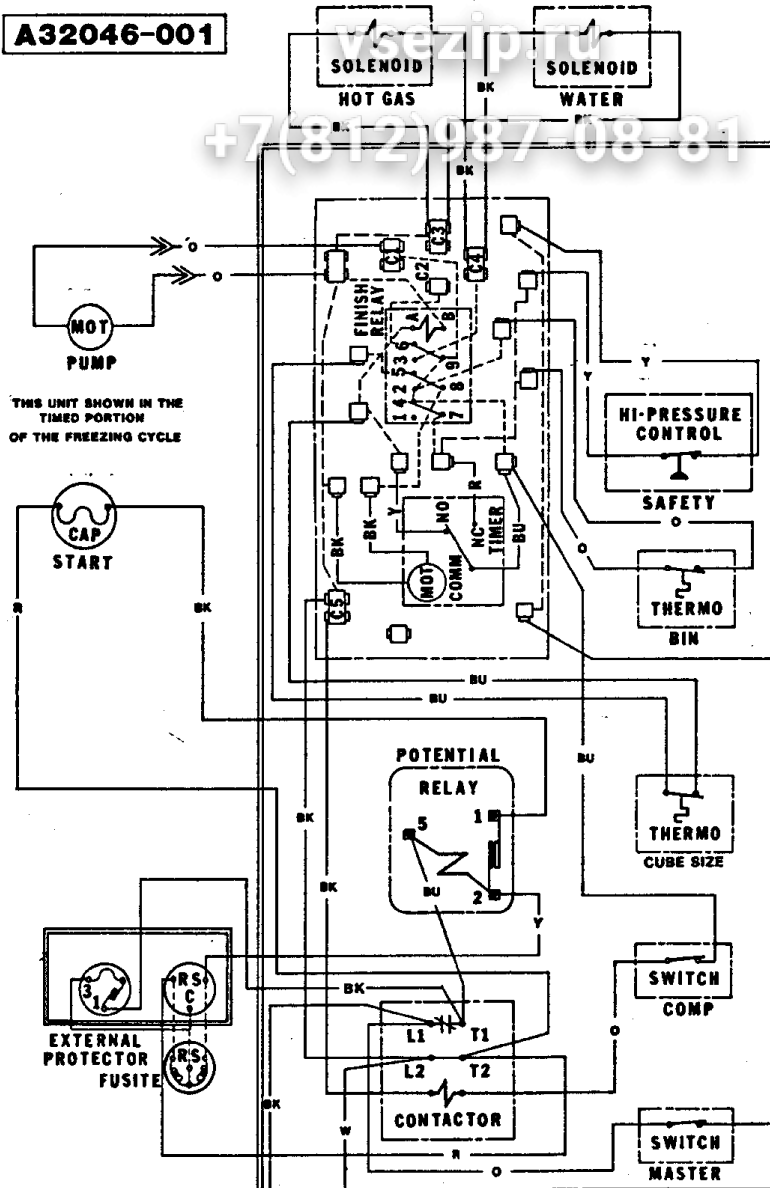
USE COPPER CONDUCTORS O

vsezip.ru
+7(812)987-08-81

A32046-001

CAUTION:
MORE THAN ONE DISC
MAY BE REQUIRED TO
ALL POWER TO THIS U

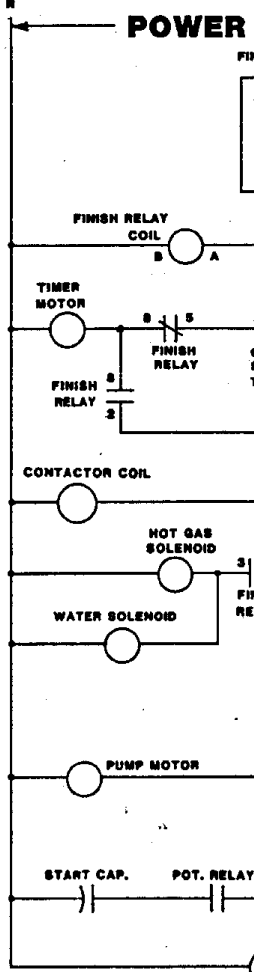
Wiring Diagram CM500AW-1C (115/60/1) Water-Cooled
 Use of the High Temperature Cut Out begins with serial number 872530-01G



**THIS UNIT MUST
BE GROUNDED**

LINE VOLTAGE 115/60/1
SEE NAMEPLATE FOR MAXIMUM FUSE SIZE

USE COPPER CONDUCTORS



A32248-001

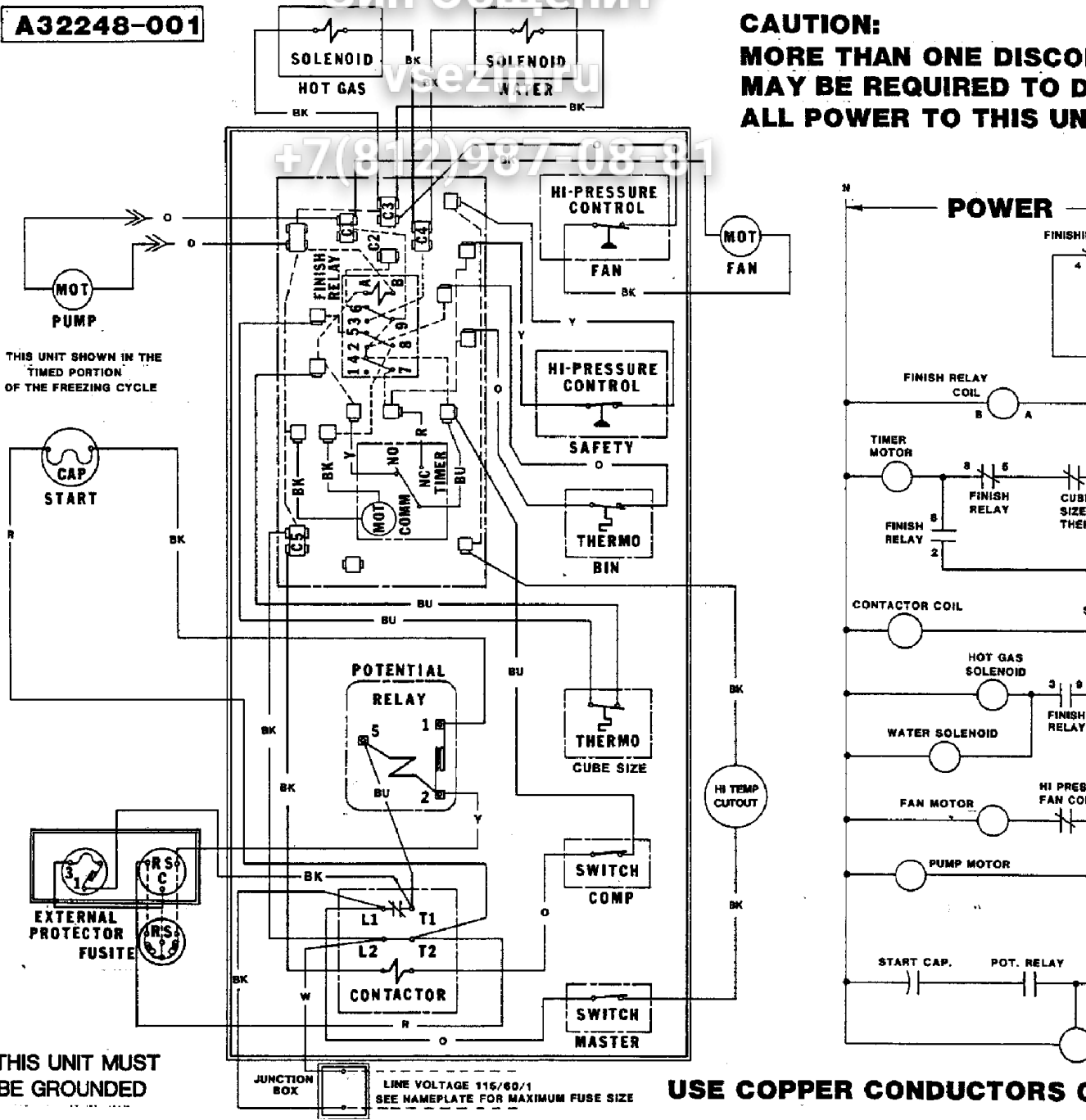
Зип Общепит

vsezin.ru

+7(812)987-08-11

CAUTION:
MORE THAN ONE DISCONNECT
MAY BE REQUIRED TO DISCONNECT
ALL POWER TO THIS UNIT

Wiring Diagram CM500AE-1D Air Cooled

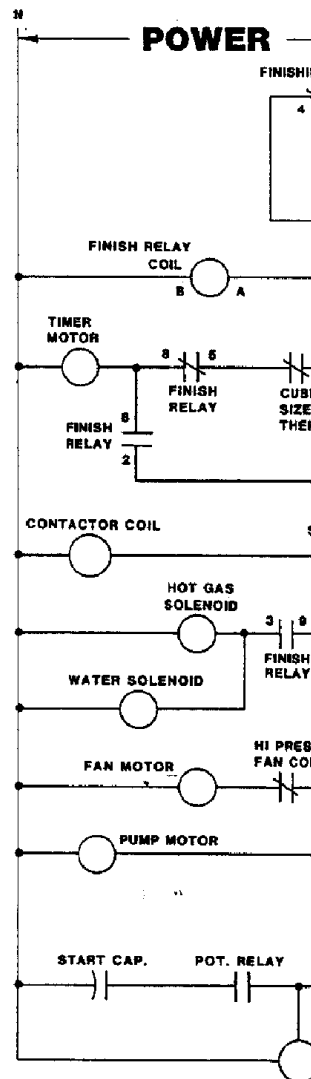


THIS UNIT SHOWN IN THE
TIMED PORTION
OF THE FREEZING CYCLE

**THIS UNIT MUST
BE GROUND**

LINE VOLTAGE 115/60/1
SEE NAMEPLATE FOR MAXIMUM FUSE SIZE

USE COPPER CONDUCTORS



CM500 SERVICE PARTS

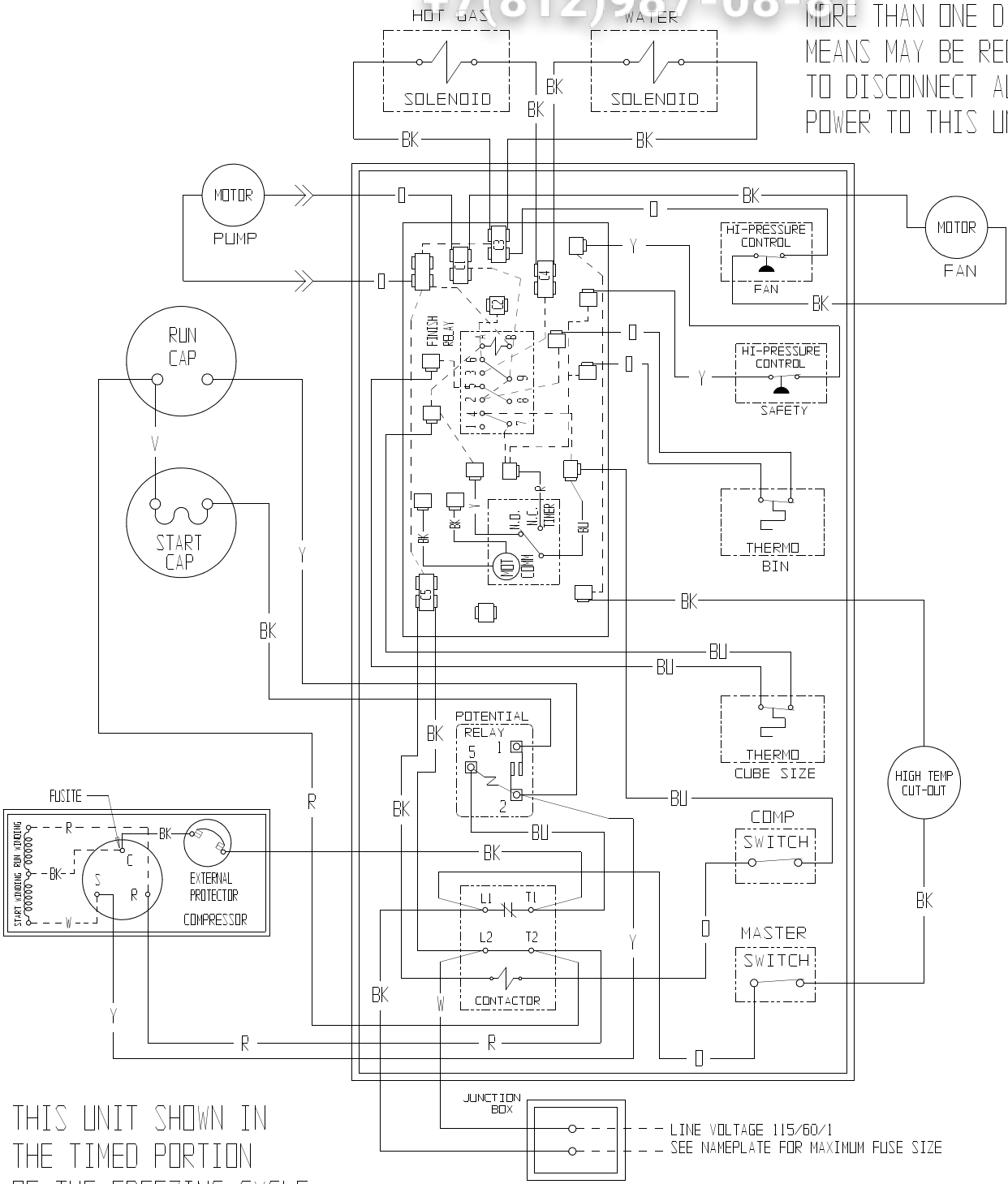
"E" Series Air Cooled Wiring Diagram

vsezip.ru

A35536-001

+7(812)987-08-31

CAUTION:
MORE THAN ONE DISCONNECT
MEANS MAY BE REQUIRED
TO DISCONNECT ALL
POWER TO THIS UNIT



THIS UNIT SHOWN IN
THE TIMED PORTION
OF THE FREEZING CYCLE

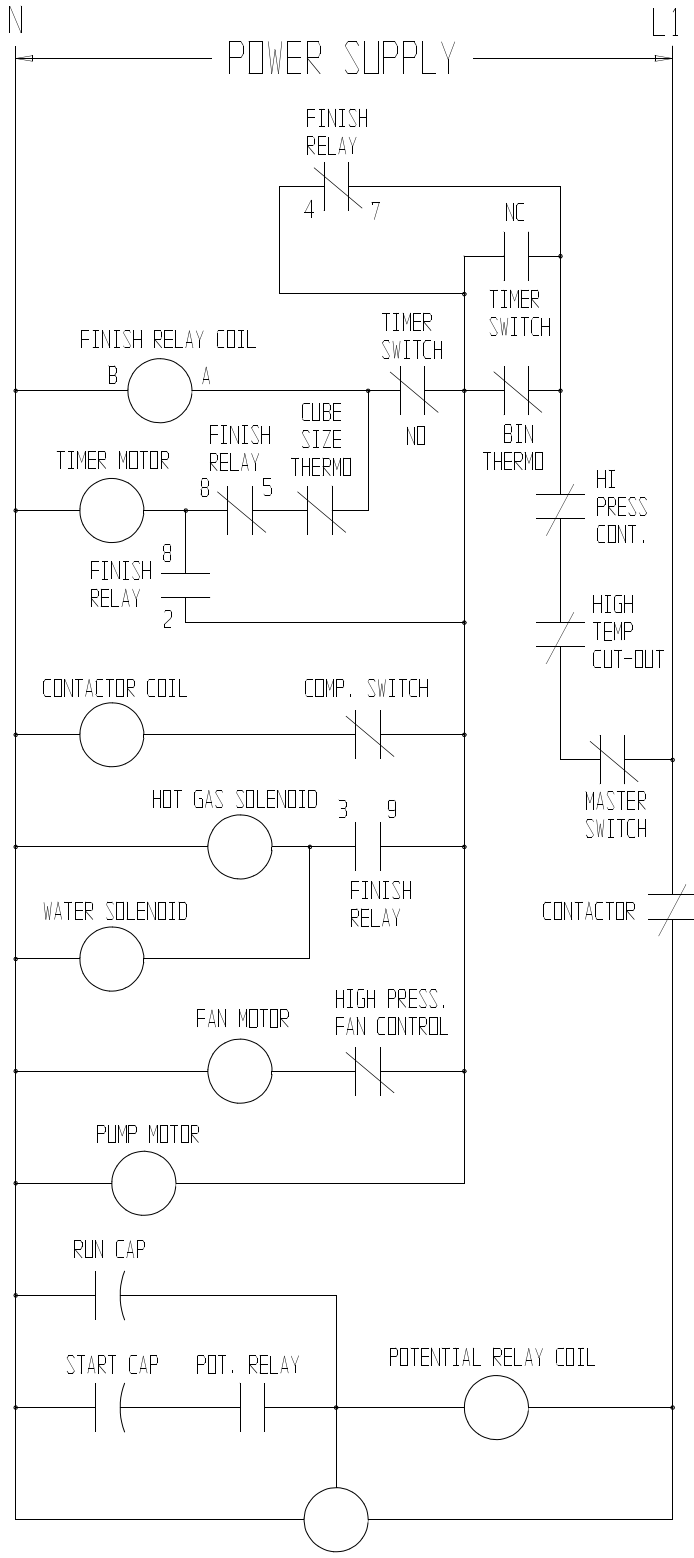
USE COPPER CONDUCTORS ONLY

THIS UNIT MUST BE GROUNDING

CM500 SERVICE PARTS

"E" Series Air Cooled Wiring Diagram

CAUTION:
 MORE THAN ONE DISCONNECT MEANS MAY BE REQUIRED
 TO DISCONNECT ALL POWER TO THIS UNIT



CM500 SERVICE PARTS

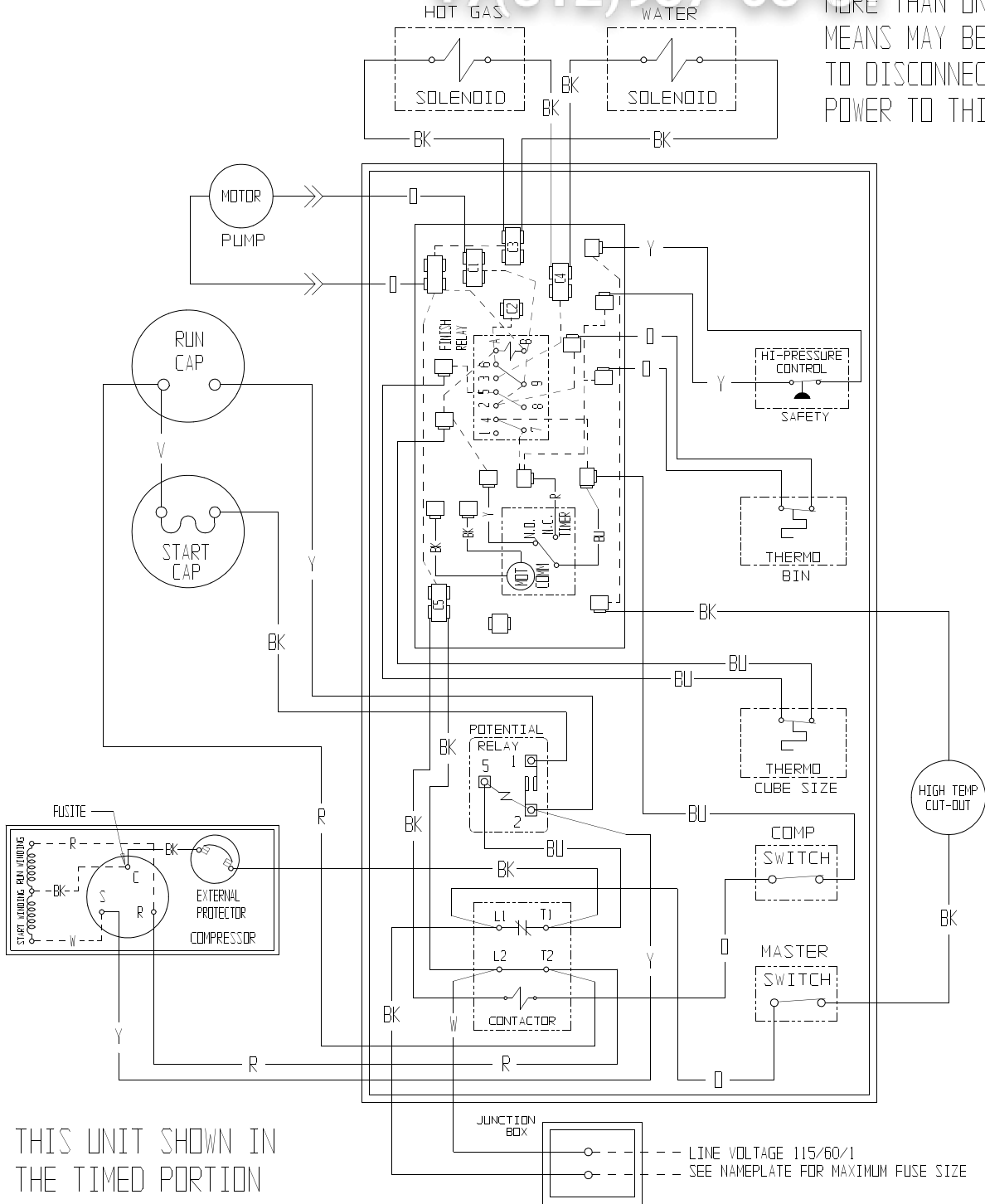
"E" Series Water Cooled Wiring Diagram

vsezip.ru

A35537-001

+7(812)987-08-81

CAUTION:
MORE THAN ONE DISCONNECT
MEANS MAY BE REQUIRED
TO DISCONNECT ALL
POWER TO THIS UNIT



THIS UNIT SHOWN IN
THE TIMED PORTION
OF THE FREEZING CYCLE

USE COPPER CONDUCTORS ONLY THIS UNIT MUST BE GROUNDED

CM500 SERVICE PARTS

"E" Series Water Cooled Wiring Diagram

CAUTION:
 MORE THAN ONE DISCONNECT MEANS MAY BE REQUIRED
 TO DISCONNECT ALL POWER TO THIS UNIT

