

Зип Общепит

vsezip.ru
+7(812)987-08-81
SCOTSMAN®

ELECTRONIC CUBES DISPENSER

CD 40

R 22 AND R 134 A VERSION

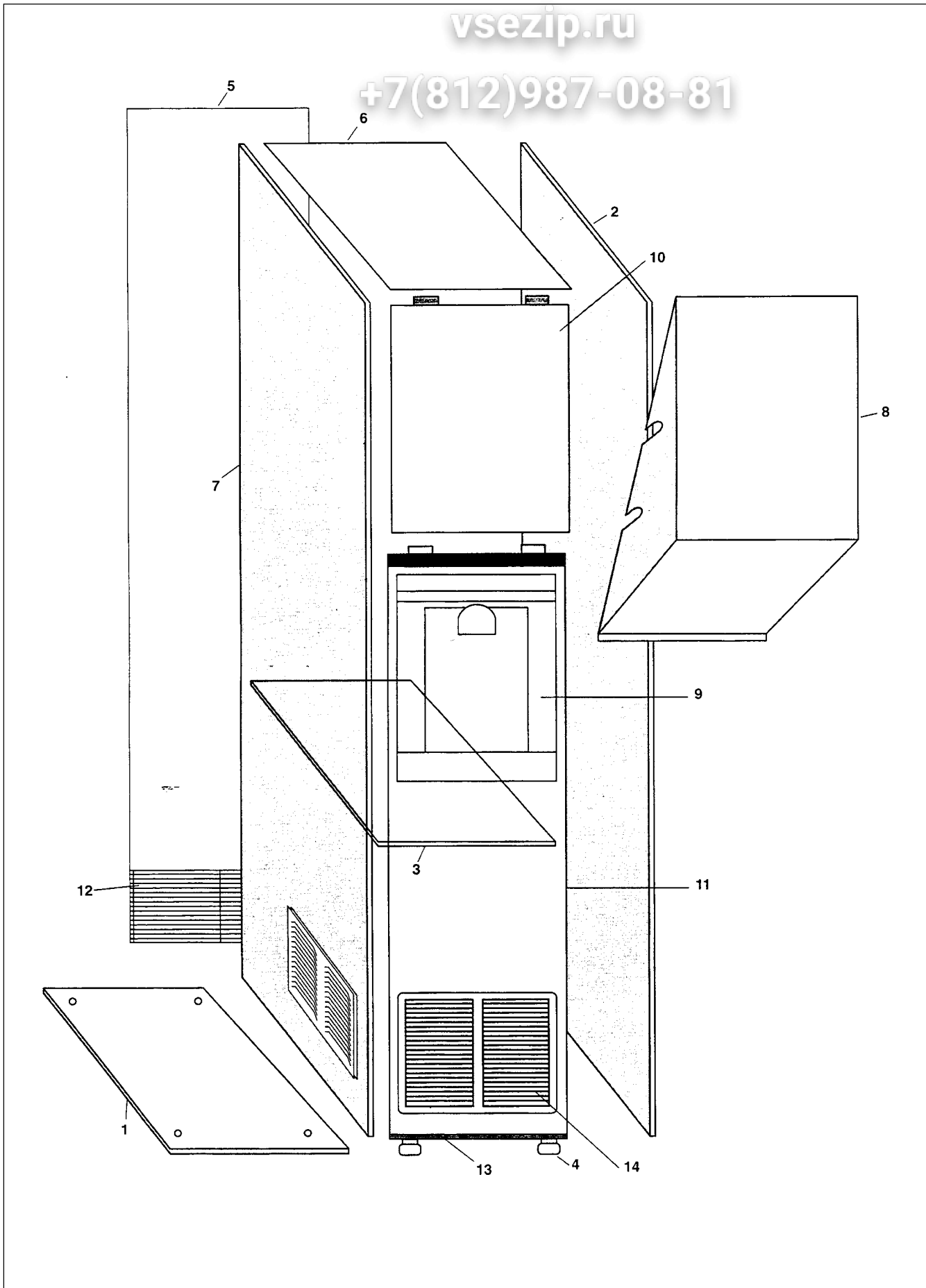
**SPARE PARTS LIST
CATALOGO RICAMBI
CATALOGUE PIÈCES DÉTACHÉES
ERSATZTEILENKATALOG**

Зип-Общепит

vsezip.ru

+7(812)987-08-81

PAGE PAGINA PAGE SEITE	TABLE OF CONTENTS	INDICE	TABLE DES MATIÈRES
1	TABLE OF CONTENTS	INDICE	TABLE DES MATIÈRES
2/3	CABINET ASSY	ASSIEME MOBILE	ENSEMBLE CARROSSERIE
4/5	REFRIGERANT SYSTEM AIR COOLED	SISTEMA REFRIGERANTE RAFFR. AD ARIA	CIRCUIT FRIGORIFIQUE REFROID. A AIR
6/7	REFRIGERANT SYSTEM WATER COOLED	SISTEMA REFRIGERANTE RAFFR. AD ACQUA	CIRCUIT FRIGORIFIQUE REFROID. A EAU
8/9	WATER SYSTEM	CIRCUITO IDRAULICO	CIRCUIT HYDRAULIQUE
10/11	PC BOARD, SENSOR ASSY AND DRIVE MECHANISM	SCHEDA ELETTRONICA, SENSORI E MOTORE DISTR.	ENS. CARTE ELECTRONIQUE, DETECTEU ET MOTEUR DISTR.



Зип-Общепит

CABINET ASSY - ASSIEME MOBILE - ENSEMBLE CARROSSERIE - MACHINE GEH

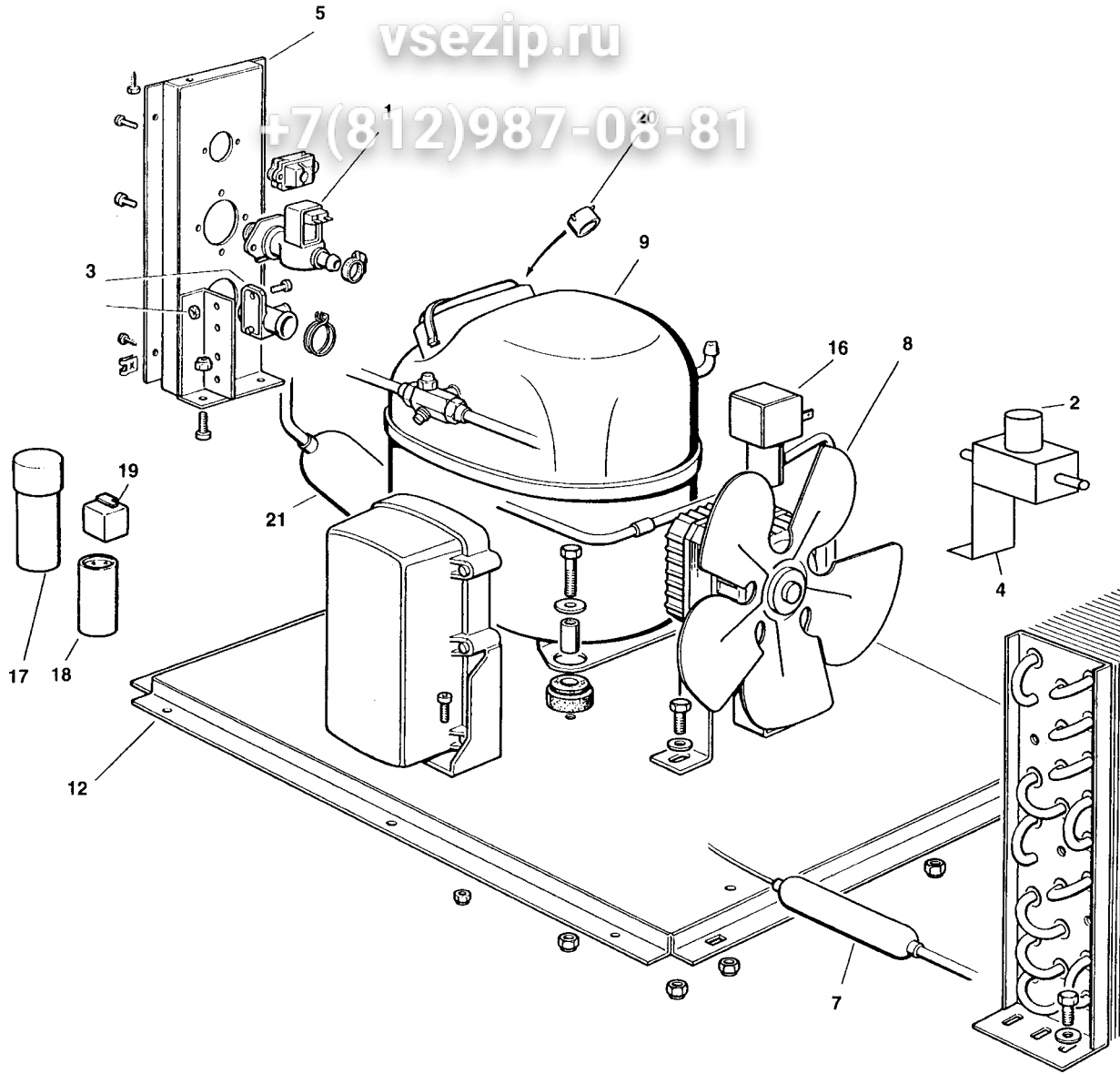
vsezip.ru

ITEM NO POS NO REP. NO REF. NO	PART NO CODICE REFERENCE STUECK NR.	DESCRIPTION	DESCRIZIONE	DESIGNATION
1	CM 25115004	BAS	BASAMENTO MACCHINA	CHASSIS
2	CM 25330718 CM 25330720	RIGHT SIDE PANEL S.S. RIGHT SIDE PANEL	FIANCO DESTRO FIANCO DESTRO INOX	PANNEAU DROIDE PANNEAU DROITE INOX
3	CM 25547087	DIVISIONAL PANEL	PANN. DIVISORIO	PANNEAU DIVISEUR
4	CM 81502119	LEG	PIEDINO	PIED
5	CM 25547083 CM 25547084	BACK PANEL S.S. BACK PANEL	PANNELLO POSTERIORE PANNELLO POSTERIORE INOX	PANNEAU POSTERIEUR PANNEAU POSTERIEUR INOX
6	CM 25161070 CM 25161071	COVER S.S. COVER	COPERCHIO COPERCHIO INOX	COUVERCLE COUVERCLE INOX
7	CM 25330719 CM 25330721	LEFT SIDE PANEL S.S. LEFT SIDE PANEL	FIANCO SINISTRO FIANCO SINISTRO INOX	PANNEAU GAUCHE PANNEAU GAUCHE INOX
8	CM 25260468	DEFLECTOR	DEFLETTORE	DEFLECTEUR
9	CM 81401573	DISPENSER FRAME ASSY	CORNICE PORTABICCHIERI	CORNICE PORTE-VERRES
10	CM 81401524 CM 81401559	FRONT PANEL S.S. FRONT PANEL	PANNELLO POSTERIORE PANNELLO ANTERIORE INOX	PANNEAU ANTERIEUR PANNEAU ANTERIEUR INOX
11	CM 25547079 CM 25547080	LOWER PANEL S.S. LOWER PANEL	PANNELLO INFERIORE PANNELLO INFERIORE INOX	PANNEAU INFERIEUR PANNEAU INFERIEUR INOX
12	CM 25380710	BACK GRID	GRIGLIA POSTERIORE	GRILLE ARRIERE
13	CM 25620306	PROFILE	PROFILO	PROFILÉ
14	CM 25610087 CM 25610088	FRONT LOUVERED PANEL S.S. FRONT LOUVERED PANEL	PANNELLO FRONTALE ALETTATO PANNELLO FRONTALE ALETTATO INOX	PANNEAU FRONTAL DE VENT PANNEAU FRONTAL DE VENT
-	CM 19262585	SCOTSMAN LABEL	ETICHETTA FRONTALE SCOTSMAN	ETIQUETTE SCOTSMAN

Зип-Общепит

vsezip.ru

+7(812)987-08-81



Зип Общепит

REFRIGERANT SYSTEM-AIR COOLED - SISTEMA REFRIGERANTE-RAFFR. AD
CIRCUIT FRIGORIFIQUE-REFROID. A AIR - WASSERKREISLAUF-LUFTGEKÜH

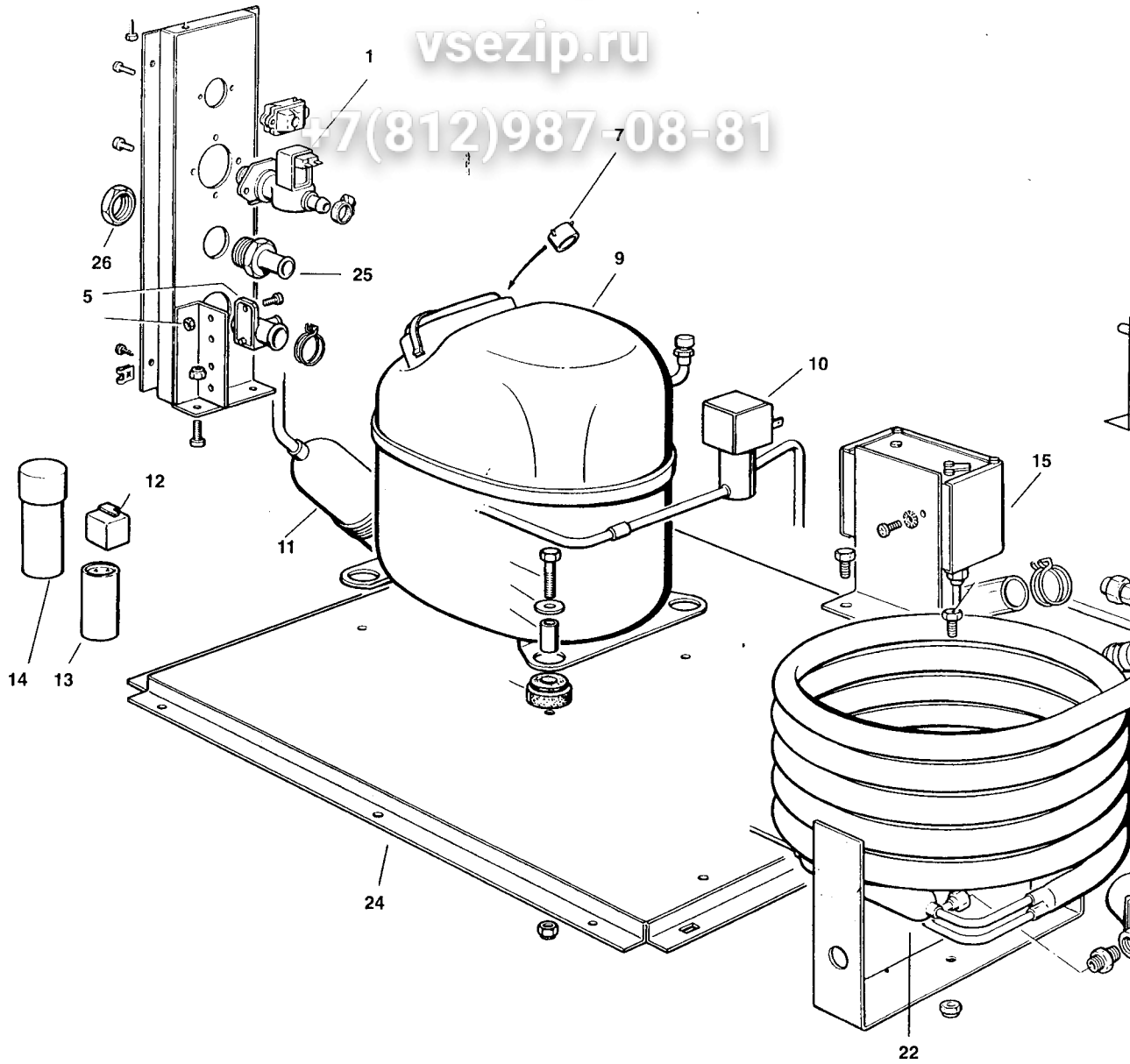
vsezip.ru

ITEM NO POS NO REP. NO REF. NO	PART NO CODICE REFERENCE STUECK NR.	DESCRIPTION	DESCRIZIONE	DESIGNATION
1	620406.01	WATER INLET VALVE	VALV. INLET ACQUA	VANNE D'ARRIVÉE D'EAU
2	650105.50	WATER DRAIN VALVE	ELETTRORVALV. SCARICO ACQUA	ELECTROVANNE EVACUAT
3	CM 25690806	DRAIN FITTING	RACCORDO DI SCARICO	RACCORD SORTIE EAU
4	CM 25726499	BRACKET	SUPPORTO VALVOLA SCARICO	SUPPORT VANNE EVACUAT
5	CM 81418352	METAL PLATE	ASS. SUPP. ATTACCHI	SUPPORT
7	CM 10106332	DRIER	FILTRO	FILTRE
8	CM 18562498	FAN MOTOR	MOTORE VENTIL.	MOTOVENTILATEUR
8A	CM 18740024	FAN BLADE	VENTOLA	HELICE
9	CM 19165536 670101 00	COMPRESSOR - R 22 COMPRESSOR - R 134 A	COMPRESSORE - R 22 COMPRESSORE - R 134 A	COMPRESSEUR - R 22 COMPRESSEUR - R 134 A
10	CM 19180085 CM 19180090	CONDENSER - R 22 CONDENSER - R 134 A	CONDENSATORE - R 22 CONDENSATORE - R 134 A	CONDENSEUR - R 22 CONDENSEUR - R 134 A
12	CM 25115005	UNIT BASE	BASAMENTO	BASE
16	CM 19863033	HOT GAS VALVE ASSY	VALVOLA GAS CALDO	VANNE DE GAZ CHAUDS
17	CM 19180452	RUN CAPACITOR - R 22	CONDENSATORE DI MARCIA - R 22	CAPACITE DE MARCHE - R
18	CM 19180442 620167 01	START CAPACITOR - R 22 START CAPACITOR - R 134 A	CONDENSATORE DI SPUNTO - R 22 CONDENSATORE DI SPUNTO - R 134 A	CAPACITE DE DEMARRAGE CAPACITE DE DEMARRAGE
19	CM 19621680 620057 42	START RELAY - R 22 START RELAY - R 134 A	RELÈ - R 22 RELÈ - R 134 A	RELAIS - R 22 RELAIS - R 134 A
20	CM 19560150 620058 77	PROTECTOR - R 22 PROTECTOR - R 134 A	PROTETTORE - R 22 PROTETTORE - R 134 A	PROTECTEUR - R 22 PROTECTEUR - R 134 A
21	CM 81401537	ACCUMULATOR	ASS. SCAMBIATORE	ACCUMULATEUR
*	CM 19550372	PRESSURE CTL - R 134 A	PRESSOSTATO - R 134 A	PRESSOSTAT - R 134 A

Зип-Общепит

vsezip.ru

7(812)987-08-81

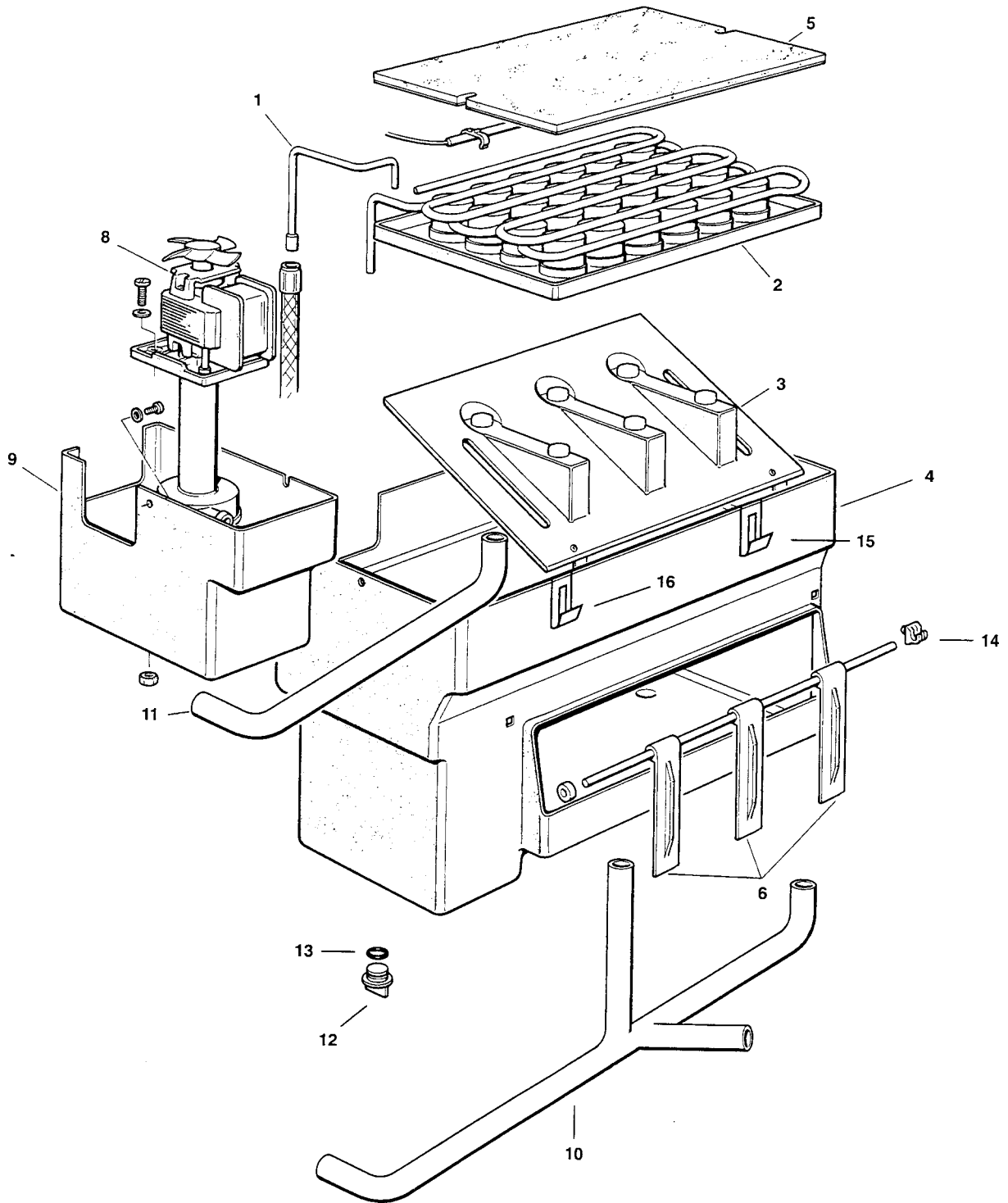


Зип Общепит

REFRIGERANT SYSTEM-WATER COOLED - SISTEMA REFRIGERANTE-RAFFR. AD
CIRCUIT FRIGORIFIQUE-REFROID. A EAU - WASSERKREISLAUF-WASSERGEK

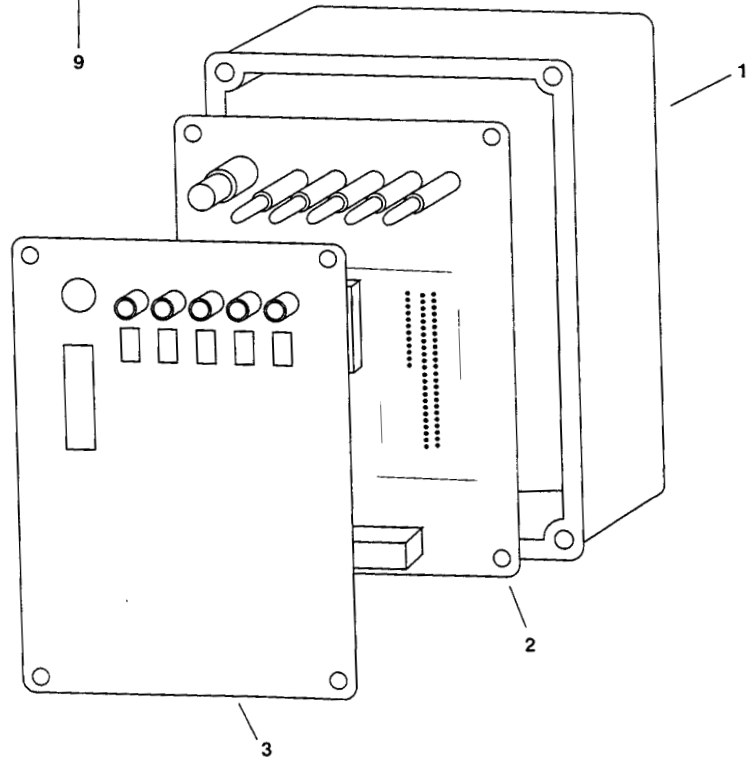
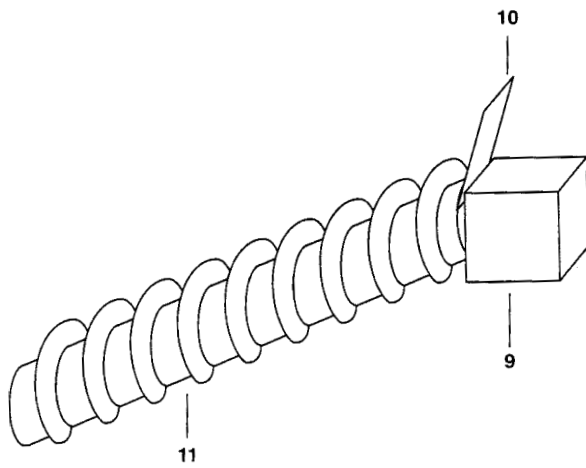
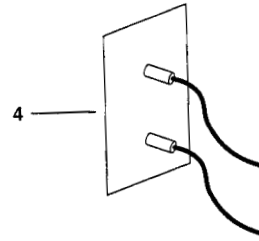
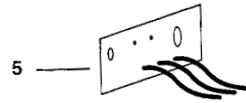
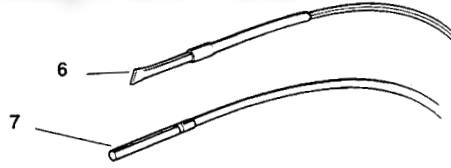
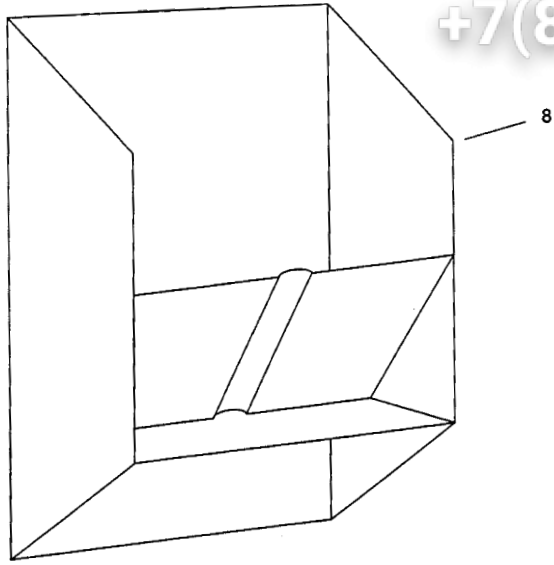
vsezip.ru

ITEM NO POS NO REP. NO REF. NO	PART NO CODICE REFERENCE STUECK NR.	DESCRIPTION	DESCRIZIONE	DESIGNATION
1	CM 19865518	WATER INLET VALVE	VALV. INGR. ACQUA	VANNE D'ARRIVÉE EAU
5	CM 25690806	DRAIN FITTING	RACCORDO DI SCARICO	RACCORD SORTIE EAU
7	CM 19560150 620058 77	PROTECTOR - R 22 PROTECTOR - R 134 A	PROTETTORE - R 22 PROTETTORE - R 134 A	PROTECTEUR - R 22 PROTECTEUR - R 134 A
9	CM 19165536 670101 00	COMPRESSOR - R 22 COMPRESSOR - R 134 A	COMPRESSORE - R 22 COMPRESSORE - R 134 A	COMPRESSEUR - R 22 COMPRESSEUR - R 134 A
10	CM 19863033	HOT GAS VALVE	VALVOLA GAS CALDO	VANNE GAZ CHAUDS
11	CM 81401537	ACCUMULATOR	ASS. SCAMBIATORE	ACCUMULATEUR
12	CM 19621680 620057 42	RELAY - R 22 RELAY - R 134 A	RELÈ - R 22 RELÈ - R 134 A	RELAIS - R 22 RELAIS - R 134 A
13	CM 19180442 620167 01	START CAPACITOR - R 22 START CAPACITOR - R 134 A	CONDENSATORE DI SPUNTO - R 22 CONDENSATORE DI SPUNTO - R 134 A	CAPACITE DE DEMARRAGE CAPACITE DE DEMARRAGE
14	CM 19180452	RUN CAPACITOR - R 22	CONDENSATORE DI MARCIA - R 22	CAPACITE DE MARCHE - R
15	CM 19550615 CM 19550620	PRESSURE CONTROL - R 22 PRESSURE CONTROL - R 134 A	PRESSOSTATO - R 22 PRESSOSTATO - R 134 A	PRESSOSTAT DE SECURITE PRESSOSTAT DE SECURITE
16	CM 19865532	WATER DRAIN VALVE	ELETTROVALVOLA SCARICO ACQUA	ELECTRO VANNE EVAC. EA
17	CM 18562501	FAN MOTOR ASSY	ELETTROVENTILATORE	MOTOVENTILATEUR
18	CM 81407542	CONDENSER	CONDENSATORE	CONDENSEUR
19	CM 25631013	WATER INLET FITTING	RACCORDO	RACCORD
20	CM 25791299	WATER HOSE	TUBO ACQUA	TUYAU
22	CM 10106332	DRIER	FILTRO	FILTRE
23	620111.00	WATER REGULATING VALVE	VALVOLA PRESSOSTATICA	VANNE PRESSOSTATIQUE
24	CM 25115005	BASE	BASAMENTO	CHASSIS
25	CM 25631027	DRAIN FITTING	RACCORDO	RACCORD
26	CM 25250105	NUT	DADO	ECROU



vsezip.ru

+7(812)987-08-81



Зип-Общепит

vsezip.ru

+7(812)987-08-81

PC BOARD, SENSOR ASSY AND DRIVE MECHANISM - SCHEDE ELETTRONICA, SENSORI E
 ENS. CARTE ELECTRONIQUE, DETECTEURS ET MOTEUR DISTR. - PLATINE, FÜHLEREINHEIT

ITEM NO POS NO REP. NO REF. NO	PART NO CODICE REFERENCE STUECK NR.	DESCRIPTION	DESCRIZIONE	DESIGNATION
1	66054600	BOX	SCATOLA	BOITE
2	CM 33580064	ELECTRONIC CARD	SCHEDE ELETTRONICA	CARTE ELECTRONIQUE
3	66054700	COVER	COPERCHIO	COUVERCLE
4	CM 33580067 CM 33580091 + CM 33580092	OPTICAL SENSOR - UP TO S.N. 1207 OPTICAL SENSOR - FROM S.N. 1208	OTTICI EROGAZ. GHIACCIO - FINO A S.N. 1207 OTTICI EROGAZ. GHIACCIO - DA S.N. 1208	CAPTEUR OPTIQUE - JUSQU'A CAPTEUR OPTIQUE - A PARTIR D
5	CM 33580084	LED CARD	SCHEDE LED	PORTE LED
6	620404.06	BIN TEMP. SENSOR	SONDA TEMP. DEPOSITO	SONDE TEMP. BAC
7	CM 33580066	EVAPORATOR TEMP. SENSOR	SONDA TEMP. EVAPORATORE	SONDE TEMP. EVAPORATE
8	CM 81401557	ICE BIN	ASSIEME CONTENITORE	ENSEMBLE CUVE
9	CM 81401520	DRIVE MOTOR	MOTORIDUTTORE	MOTOREDUCTEUR
10	CM 81401522	HINGE	ASSIEME CERNIERA	CHARNIERE
11	CM 25131000	AUGER	COCLEA	VIS SANS FIN