

# CD200B SERVICE PARTS

Зип Общепит

vsezip.ru

+7(812)987-08-81

This is the parts list for both the CD200E-1A and the CD200E-1B. The "B" series began about June of 1989. The major differences were in the electrical circuit, gearmotor cam, and wiring diagrams.

A change was made in October, 1991 to add off-cycle agitation to the CD200. This changed the control box and wiring diagram.

Check the complete model number when ordering electrical parts, or gearmotor cams.

## Table of Contents

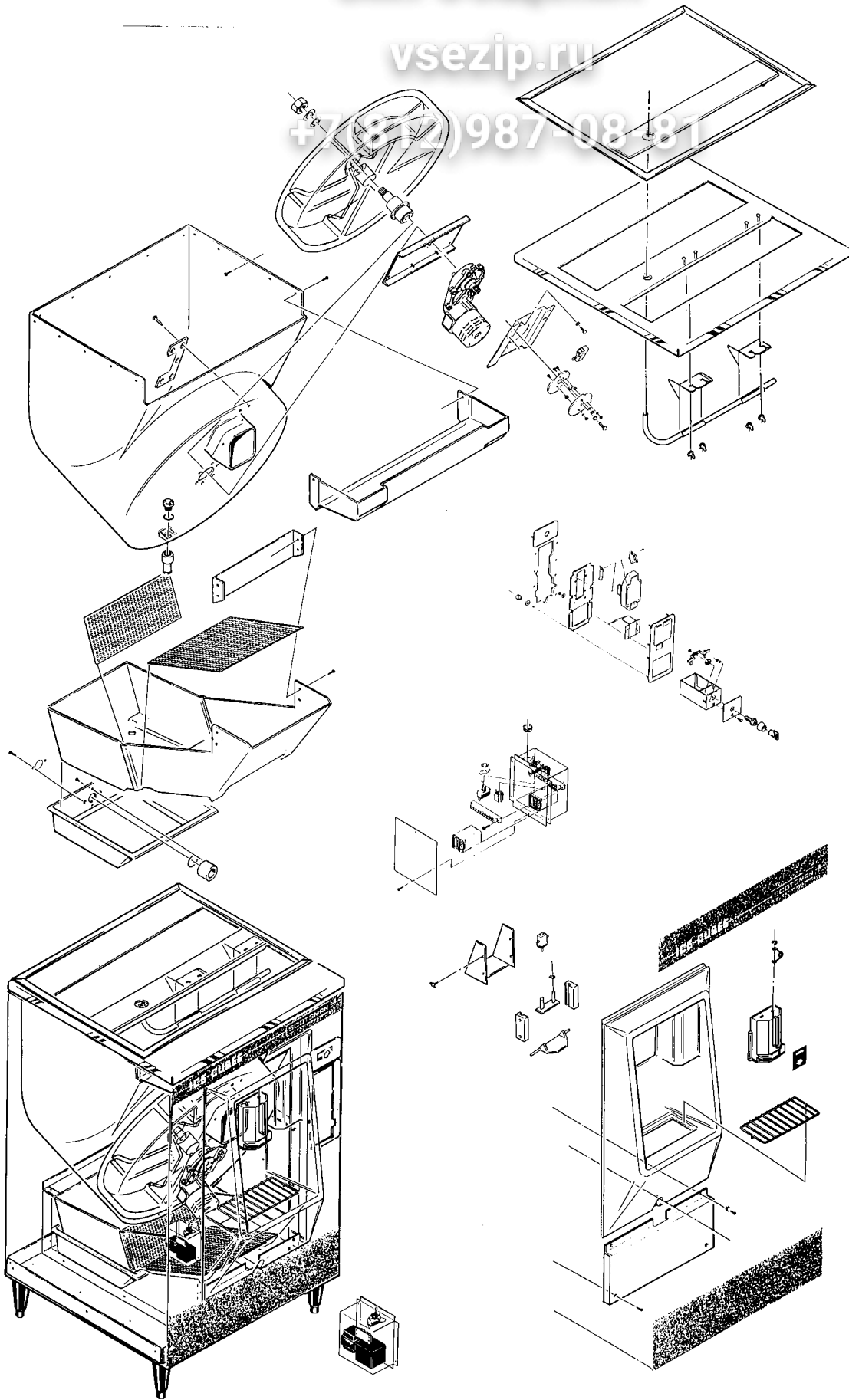
Exterior Panels and Sink Assembly . . . . .	Page 4
Ice Chute . . . . .	Page 6
Storage Bin and Drain . . . . .	Page 7
Rotor and Drive . . . . .	Page 8
Gearmotor Assembly . . . . .	Page 9
Control Box . . . . .	Page 10
Optional Kits:	
Coin Mechanism . . . . .	Page 11
Key Mechanism . . . . .	Page 12
Relay Box . . . . .	Page 13
Wiring Diagram "A" model . . . . .	Page 14
Wiring Diagram "B" model . . . . .	Page 15
Wiring Diagram, Later "B" model . . . . .	Page 16
Wiring Diagram, Current "B" model . . . . .	Page 17

# CD200B SERVICE PARTS

Зип Ощепит

vsezip.ru

+7(812)987-08-81

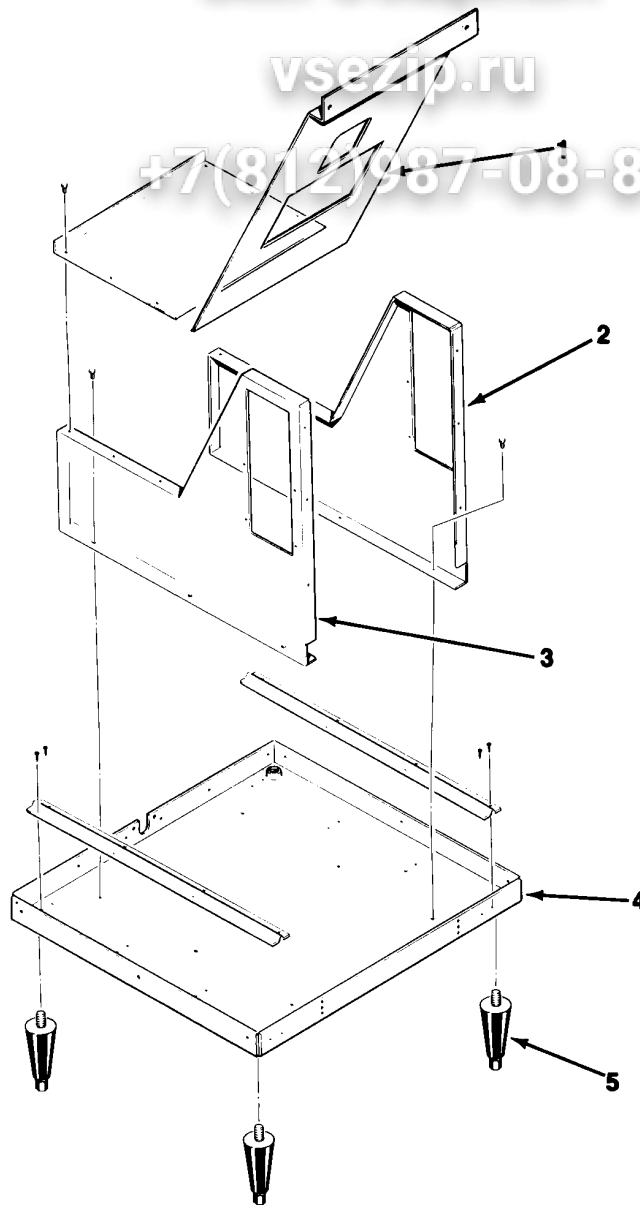


# CD200B SERVICE PARTS

Зип Общепит

vsezip.ru

+7(812)987-08-81



## INTERIOR PANELS

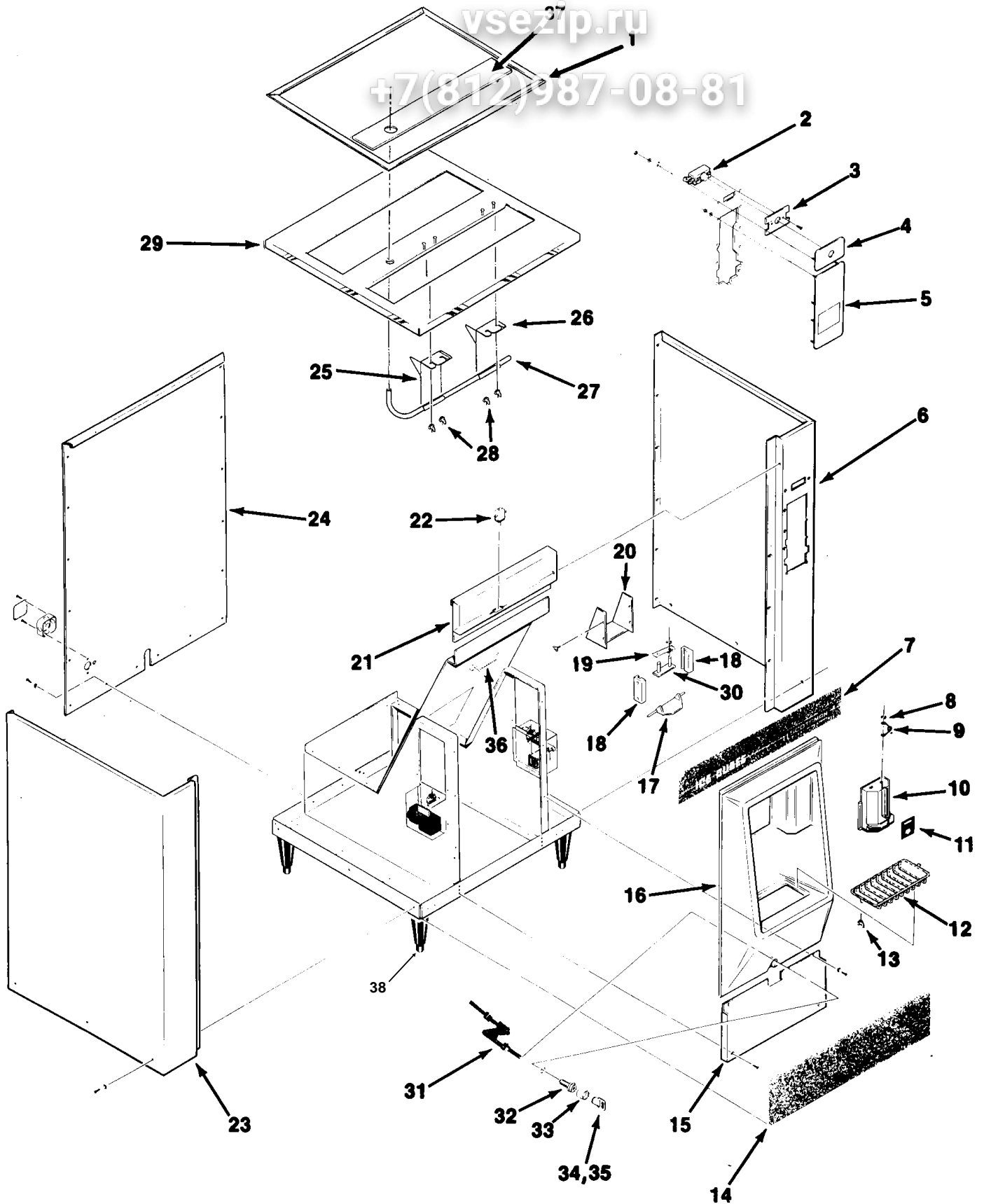
ITEM NUMBER	PART NUMBER	DESCRIPTION
1	A32652-001	Retainer
2	A32617-002	Bin Support, R
3	A32617-001	Bin Support, L
4	A34727-001	Base
5	KLP7	Leg, enamel

# CD200B SERVICE PARTS

Зип Общепит

vsezip.ru

+7(812)987-08-81



# CD200B SERVICE PARTS

Зип Общепит

## EXTERIOR PANELS AND SINK ASSEMBLY

ITEM NUMBER	PART NUMBER	DESCRIPTION	ITEM NUMBER	PART NUMBER	DESCRIPTION
1	19-0503-04	Gasket (9' req.)	34	02-2435-04	Service key (silver)
2	A37477-001	Push Button Switch	35	02-2435-05	Set Key (brass)
3	A29738-001	Back Plate - Switch	36	02-2175-01	Terminal Block
4	A29736-003	Plate - Switch - sandalwood	37	no number	Gasket
	A29736-015	Plate - switch - gray	38	KLP7	Leg kit, set of 4
	A29736-002	Plate - Switch - SS			
5	A29708-004	Plate - Sandalwood			
	A29708-015	Plate - Gray			
	A29708-003	Plate - Stainless Steel			
6	A32623-001	Panel, Right Sandalwood			
	A32623-015	Panel, right gray			
	A32623-002	Panel, Right Stainless Steel			
7	A32636-001	Graphic Label (top) for sandalwood			
	A32636-003	Graphic label, top for gray			
8	03-1539-03	Retaining Ring			
9	02-2097-01	Spring			
10	02-1994-20	Hood Ice Chute			
11	15-0680-02	Label for ice chute for sandalwood			
	15-0680-03	Label for ice chute, for gray			
12	02-3018-01	Grill			
13	03-0255-02	Wing nut for grill			
14	A32636-002	Graphic Label (bottom) for sandalwood			
	A32636-004	Graphic label, bottom for gray			
15	A32620-001	Panel, Bottom - Sandalwood			
	A32620-015	Panel, bottom - gray			
	A32620-002	Panel, Bottom - Stainless Steel			
16	02-2901-01	Panel, Sink - sandalwood			
	02-2901-02	Panel, sink - gray			
17	02-1995-01	Ice Chute			
18	02-3197-01	Track (for ice chute)			
19	A34693-001	Bar - Switch Disconnect			
20	A25377-001	Shield			
	03-1279-01	Screw (for shield)			
21	A32625-001	Panel - Upper front sandalwood			
	A32625-015	Upper front panel, gray			
	A32625-002	Panel - Upper front - stainless			
22	12-1276-01	Switch			
23	A32622-001	Panel, left sandalwood			
	A32622-015	Panel, left gray			
	A32622-002	Panel, left stainless steel			
24	A32683-001	Panel, back sandalwood			
	A32683-015	Panel, back gray			
	A32683-002	Panel, back stainless steel			
25	A32640-002	Thermostat bracket left			
26	A32640-001	Thermostat bracket right			
27	A32641-001	Thermostat tube			
28	03-0255-02	Wing nut			
29	KBTC200	Top panel kit			
30	A23674-001	Ice hood return			
31	A32810-001	Door lock Assy, (linkage)			
32	02-3262-20	Lock & key kit			
	02-3263-01	Key for lock used after sn 573742-04Y			
	02-3263-20	Key kit (old & new)			
33	02-2435-02	Collar			

# CD200B SERVICE PARTS

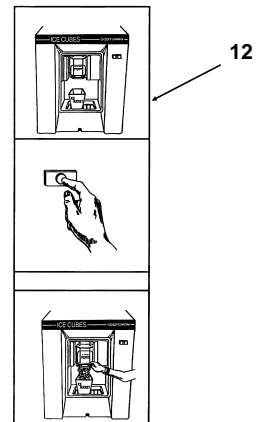
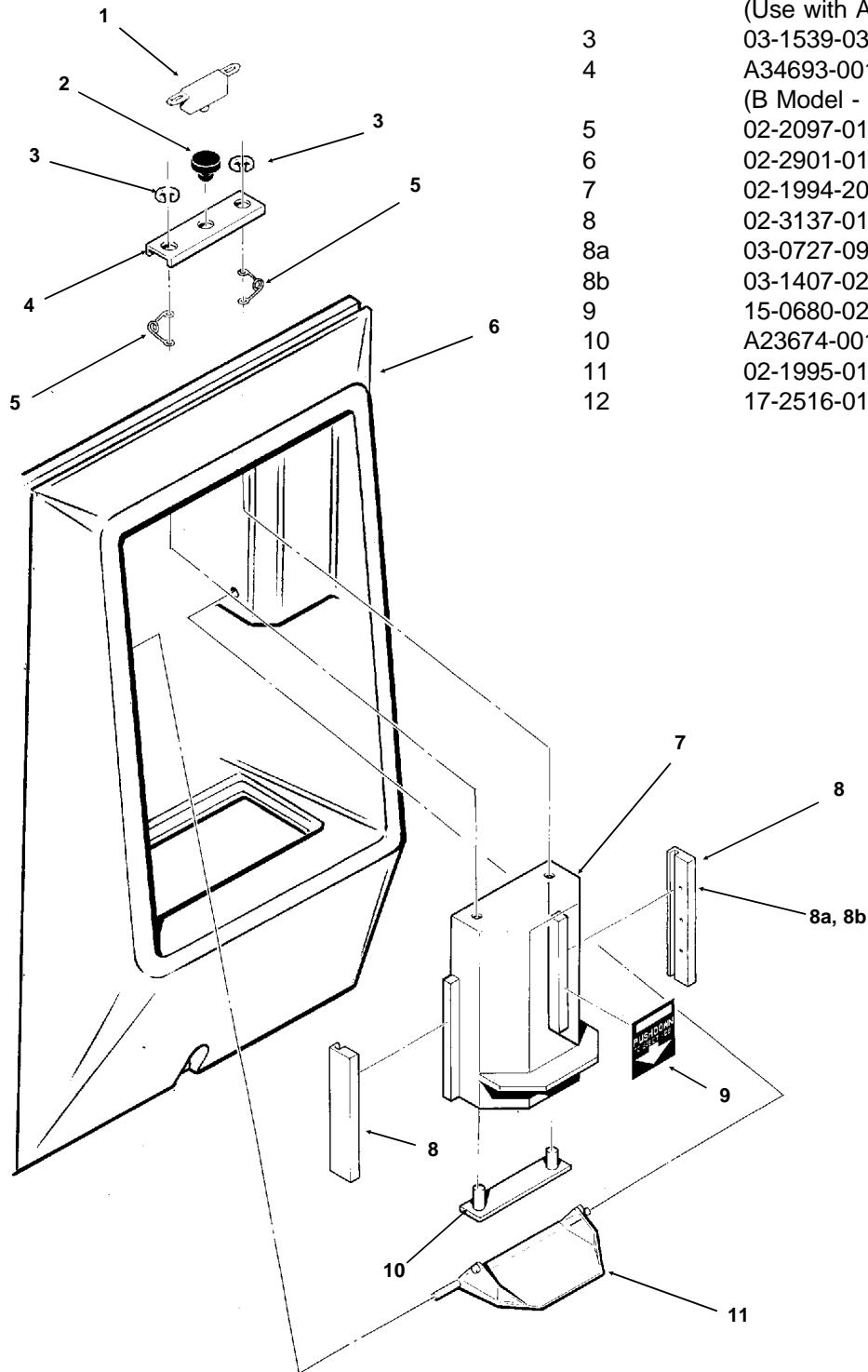
Зип Общепит

vsezip.ru

+7(812)987-08-81

## SINK AND ICE CHUTE PARTS

ITEM NUMBER	PART NUMBER	DESCRIPTION
1	12-1276-01	Microswitch
2	13-0876-01	Bumper (B model) (Use with A model if item 4 is also replaced)
3	03-1539-03	Retaining ring
4	A34693-001	Bar - switch disconnect (B Model - will fit A model if used with item 2)
5	02-2097-01	Torsion Spring
6	02-2901-01	Sink panel
7	02-1994-20	Ice chute hood
8	02-3137-01	Ice hood track
8a	03-0727-09	Attaching screw
8b	03-1407-02	Washer
9	15-0680-02	Graphic label
10	A23674-001	Ice hood return bracket
11	02-1995-01	Ice chute flap
12	17-2516-01	How to use label

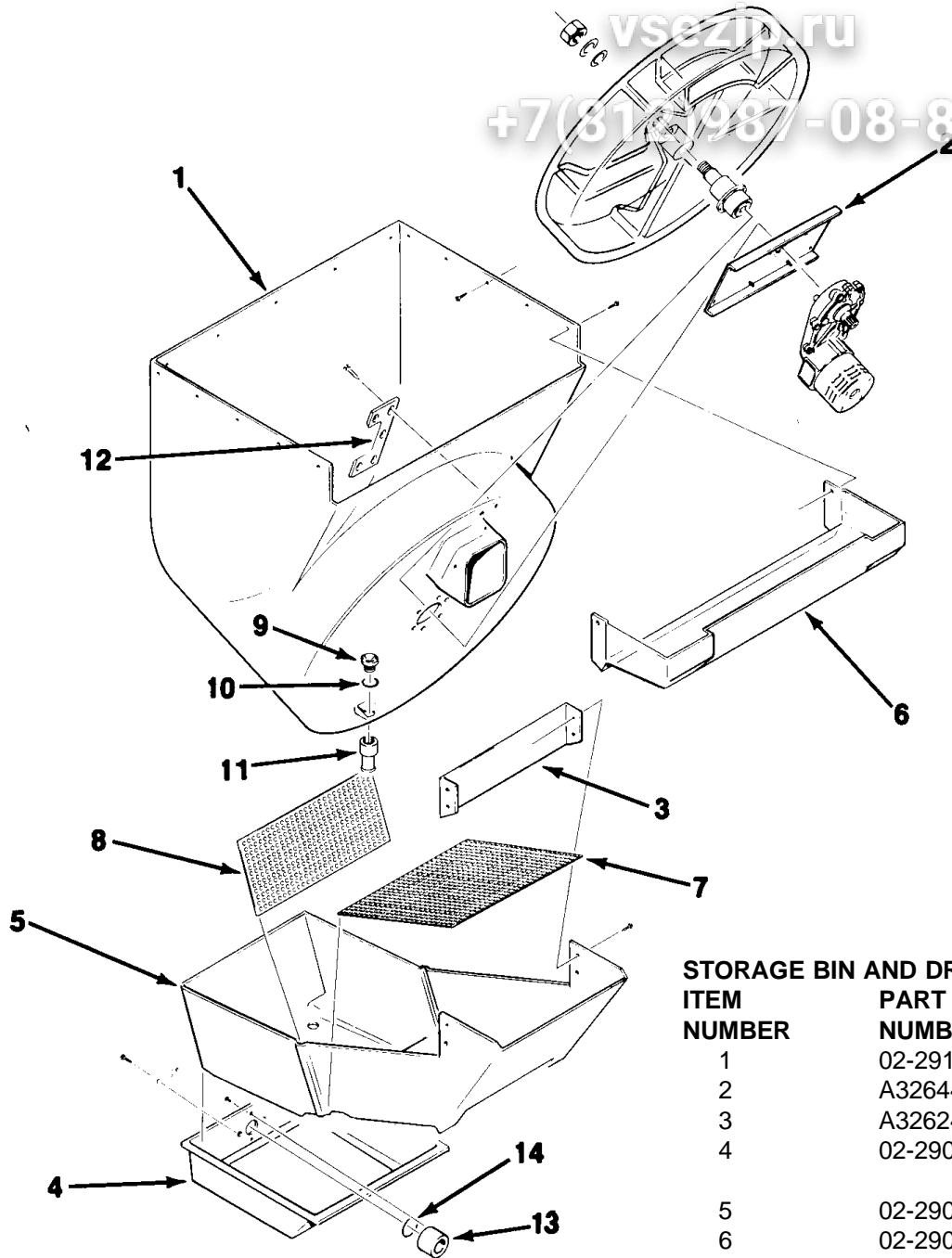


# CD200B SERVICE PARTS

Зип Общепит

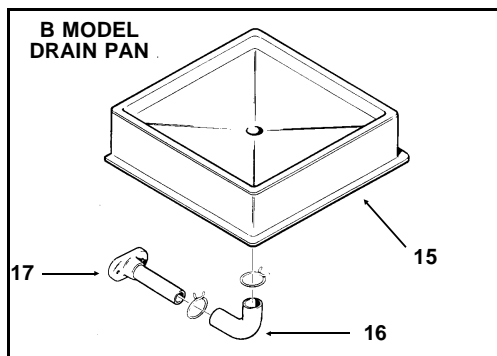
vsezip.ru

+7(812)987-08-81



## STORAGE BIN AND DRAIN PANS

ITEM NUMBER	PART NUMBER	DESCRIPTION
1	02-2911-01	Storage Bin
2	A32644-001	Drive Motor Support
3	A32624-001	Drive Motor Baffle
4	02-2908-01	Drain Pan - Lower (A model)
5	02-2907-01	Drain Pan Upper
6	02-2906-01	Cube Deflector
7	A35542-001	Dam Screen
8	part of item #7	
9	02-2809-01	Drain Top
10	13-0617-11	O-Ring
11	02-2692-01	Bin Drain
12	A23693-001	Ice Cutter
13	A32635-001	Drain (A model)
14	13-0617-50	O-Ring (A model)
15	A34694-001	Drain Pan Assy (B model - includes 16 & 17)
16	A32203-001	Pre-formed tubing
17	A31757-005	Drain fab assy.

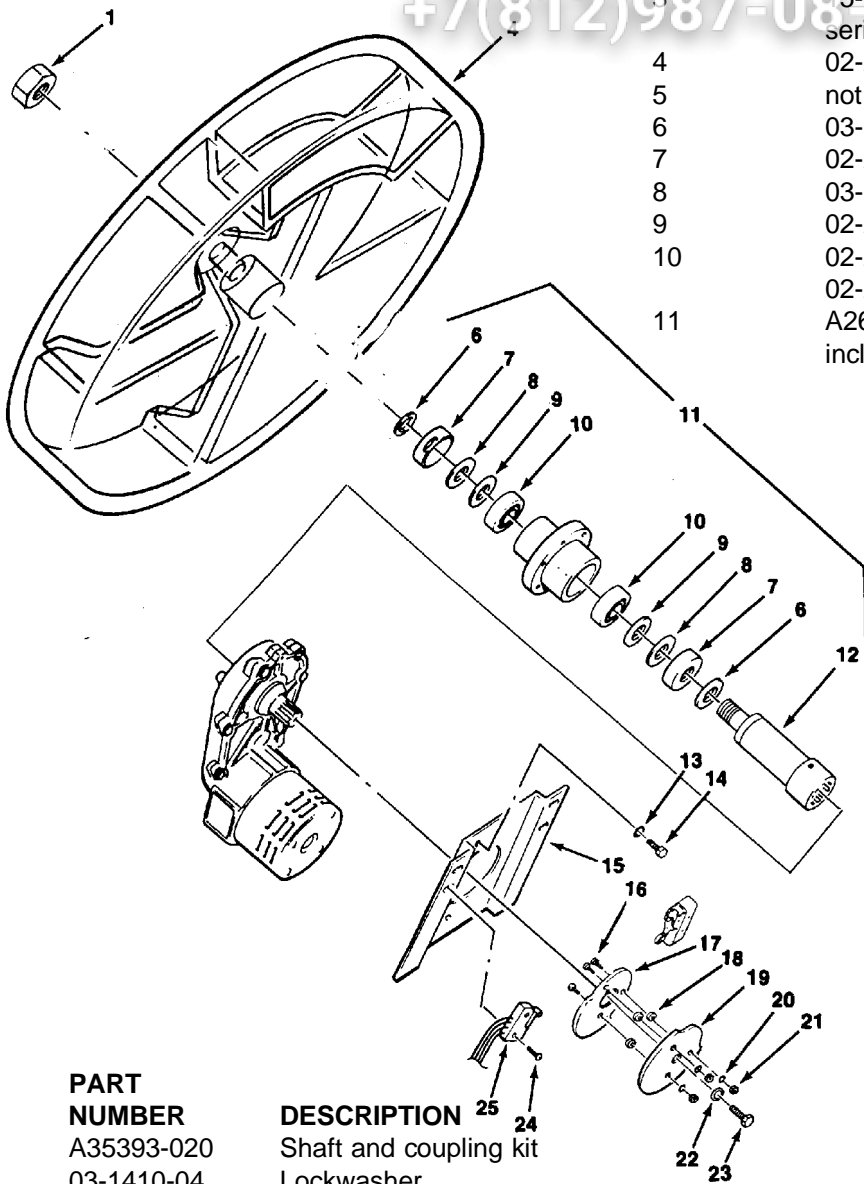


# CD200B SERVICE PARTS

## ROTOR AND DRIVE ASSEMBLY

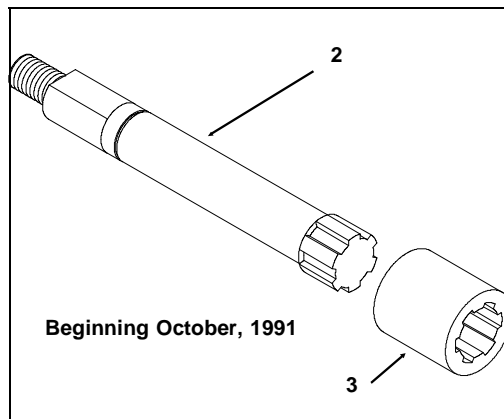
Зип Общепит  
vsezip.ru

+7(812)987-08-81



ITEM NUMBER	PART NUMBER	DESCRIPTION
1	02-3221-01	Cap nut
2	02-3205-01	Bin shaft, began with serial number date code: 04K
3	15-0575-01	Coupling, began with serial number date code: 04K
4	02-2567-01	Bin rotor
5	not used	
6	03-1516-01	Retaining ring
7	02-2026-01	Cup closure
8	03-1408-27	Special washer
9	02-2027-01	Flinger
10	02-2186-01	Bearing cup
	02-2186-02	Bearing cone
11	A26108-020	Bearing Housing, includes shaft and coupling

ITEM NUMBER	PART NUMBER	DESCRIPTION
12	A35393-020	Shaft and coupling kit
13	03-1410-04	Lockwasher
14	03-1405-15	Screw
15	A29732-001	Bracket, double cam
16	03-1403-18	Screw
17	A29734-001	Cam #2, bottom
18	A29733-001	Spacer
19	A26686-001	Cam, (top) for "A" model
	A34705-001	Cam (top) for "B" model
20	03-1410-07	Lockwasher
21	03-1406-03	Nut
22	03-1410-03	Lockwasher
23	03-1405-03	Screw
24	03-1403-09	Screw
25	A29751-001	Switch - Cam (A model)
	12-2365-01	Cam switch (B model)
26	03-0886-00	Speed nut





# CD200B SERVICE PARTS

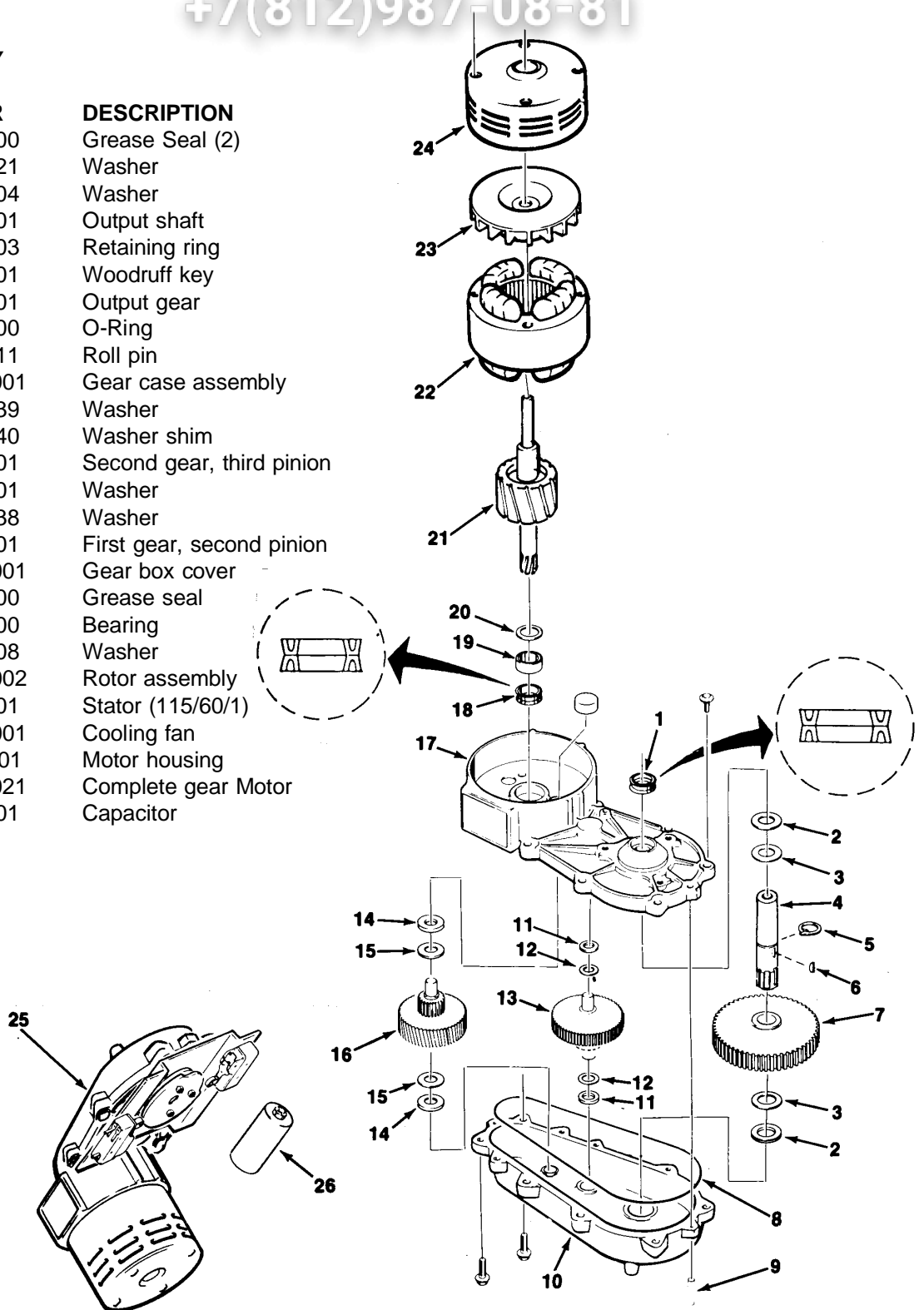
Зип Общепит

vsezip.ru

+7(812)987-08-81

## GEARMOTOR ASSEMBLY

ITEM NUMBER	PART NUMBER	DESCRIPTION
1	02-1503-00	Grease Seal (2)
2	03-1408-21	Washer
3	03-1408-04	Washer
4	02-2446-01	Output shaft
5	03-1515-03	Retaining ring
6	03-1602-01	Woodruff key
7	02-2444-01	Output gear
8	02-1505-00	O-Ring
9	03-0774-11	Roll pin
10	A28167-001	Gear case assembly
11	03-1408-39	Washer
12	03-1408-40	Washer shim
13	02-2441-01	Second gear, third pinion
14	03-1408-01	Washer
15	03-1408-38	Washer
16	02-2448-01	First gear, second pinion
17	A28189-001	Gear box cover
18	02-1504-00	Grease seal
19	02-1501-00	Bearing
20	03-1408-08	Washer
21	A28160-002	Rotor assembly
22	12-2036-01	Stator (115/60/1)
23	A28168-001	Cooling fan
24	A17-47-001	Motor housing
25	A28155-021	Complete gear Motor
26	18-3701-01	Capacitor

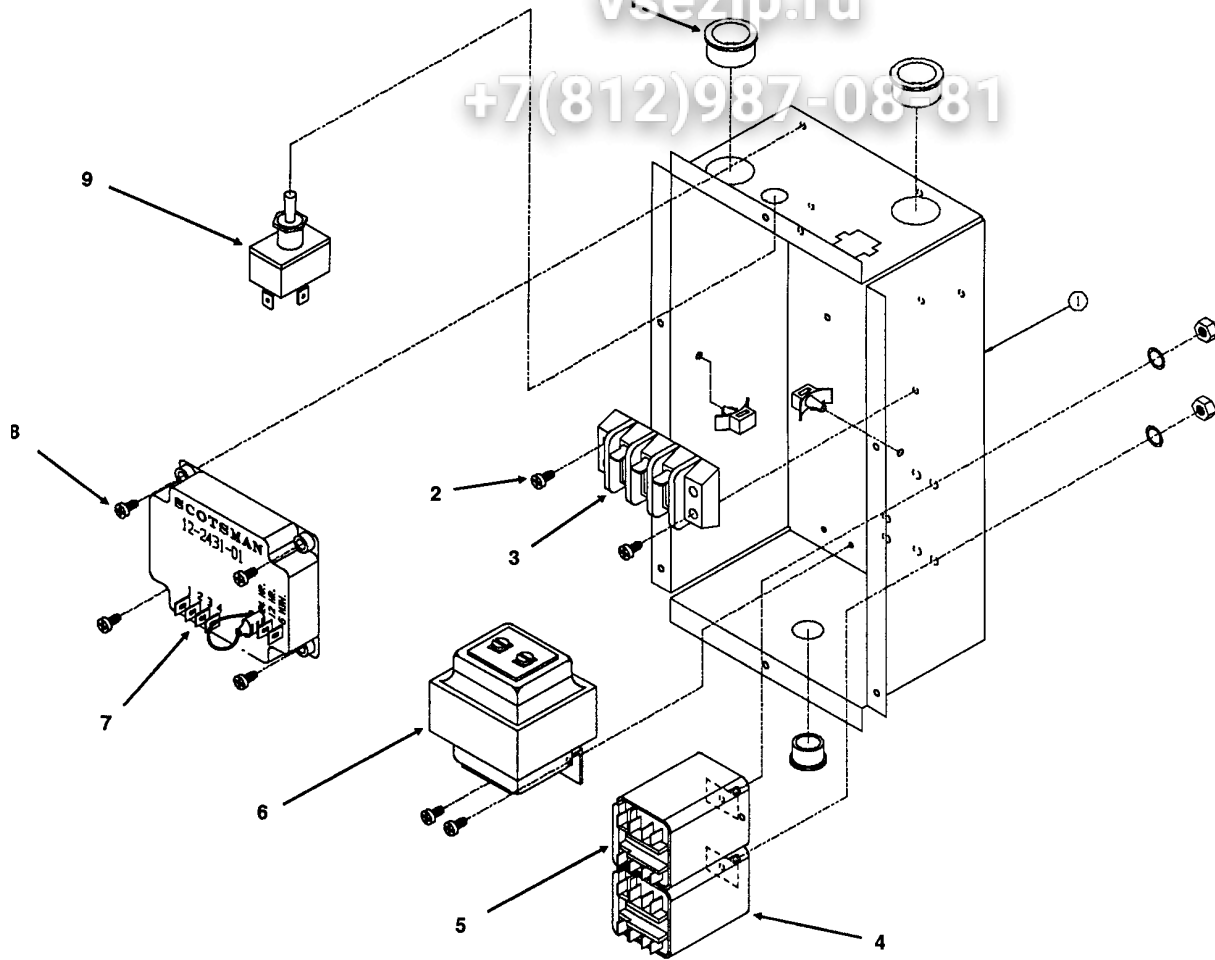


# CD200B SERVICE PARTS

Зип Общепит  
CONTROL BOX

vsezip.ru

+7(812)987-08181

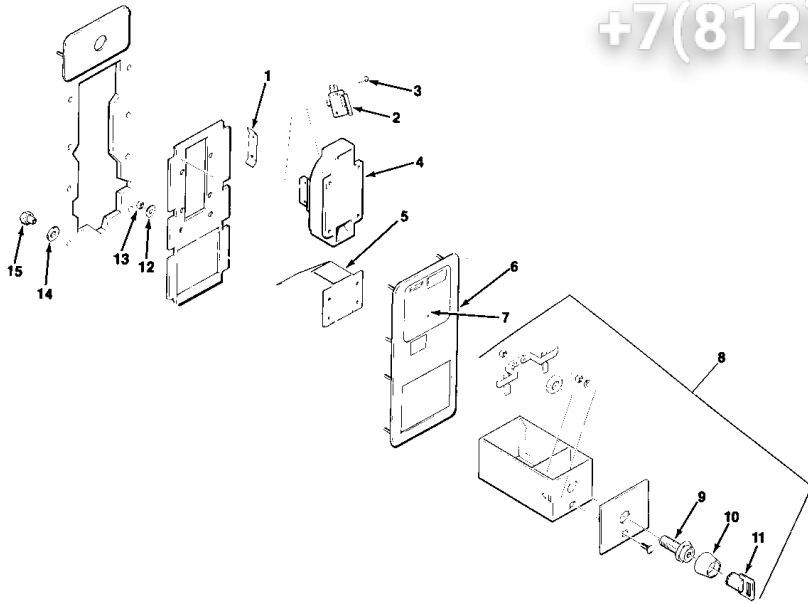


ITEM NUMBER	PART NUMBER	DESCRIPTION
1	12-1213-10	Snap bushing
2	03-1531-10	Screw
3	12-2114-01	Terminal strip
4	12-2090-02	Relay "C" - "B" models
	12-1873-01	Relay "C" - "A" models
5	12-2090-02	Relay "E" - later "B" models
6	12-1809-02	Transformer - "B" models
	12-1809-00	Transformer - "A" models
7	12-2431-01	Recycling timer - later "B" models up to 9/96 12/24 hour
	12-2371-01	Recycling timer - 2 hour, B models after 9/96
8	03-1531-08	Screw
9	12-0426-01	Toggle switch
Not Illustrated:		
10	11-0427-23	Thermostat
11	12-2694-01	Harness bin thermostat to CM <sup>3</sup> controller (after May 1997)

# CD200B SERVICE PARTS

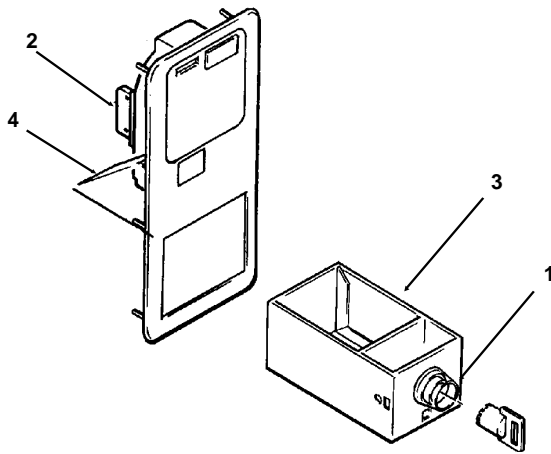
## OPTIONAL COIN/CARD MECHANISMS

### KCM200



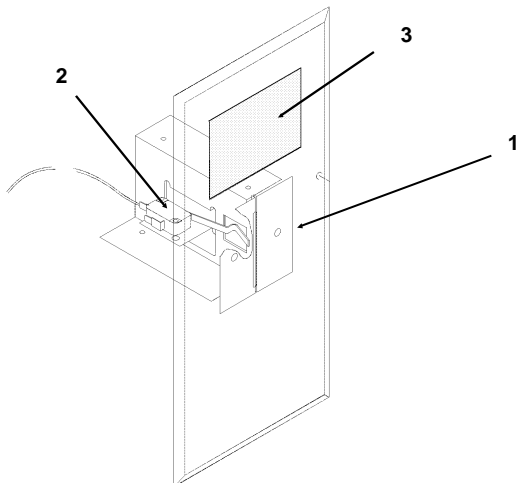
Item Number	Part Number	Description
1	A22053-000	Twin speed nut
2	12-2046-J1	Switch lever
3	03-1403-63	Screw
4	A27101-001	Coin mech. body
5	no number	Assembly
6	15-0674-09	Graphic label
7	A29710-001	Cover plate
	A29710-002	Cover plate, painted
8	A28907-001	Coin box
9	02-2435-01	Reset lock
10	02-2435-02	Collar
11	02-2435-04	Service key
12	03-1417-18	Lockwasher
13	03-1406-01	Nut
14	03-1407-05	Washer
15	03-1406-07	Nut

### KCM25



Item Number	Part Number	Description
1	02-3114-20	Lock kit
2	02-3114-21	Coin return kit (solenoid)
3	02-3114-22	Cash box
4	02-3114-23	Coin switch

### KCARD



Item Number	Part Number	Description
1	A29705-003	Cover plate, SS
	A29705-004	Cover plate, painted
2	12-2450-01	Microswitch
3	17-2144-01	Label

# CD200B SERVICE PARTS

## KEY MECHANISM KIT

3ип Общежит

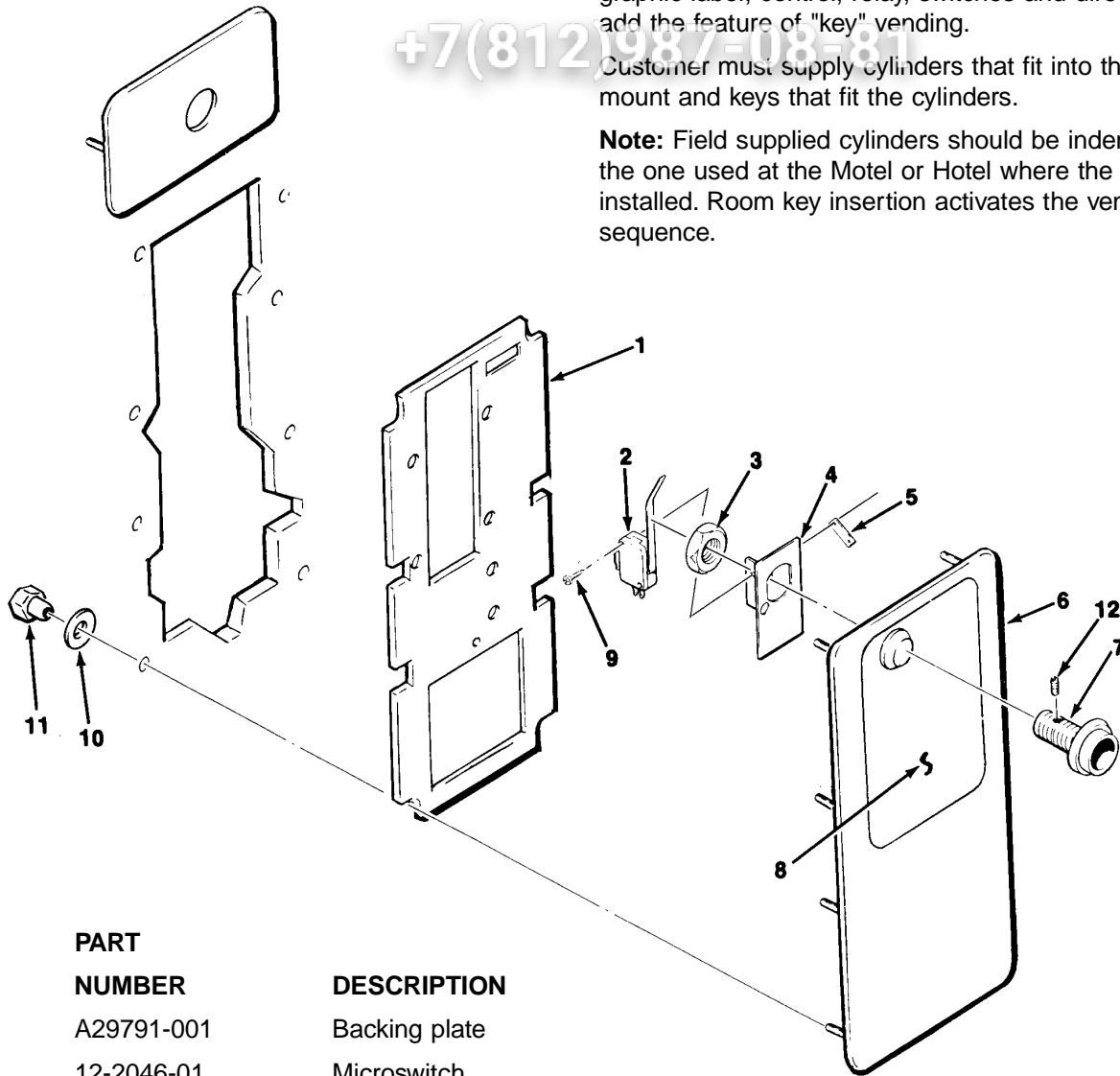
vsezip.ru

+7(812)987-08-81

**Note:** The Key Mechanism kit includes a cover plate, graphic label, control, relay, switches and directions to add the feature of "key" vending.

Customer must supply cylinders that fit into the cylinder mount and keys that fit the cylinders.

**Note:** Field supplied cylinders should be identical to the one used at the Motel or Hotel where the CD200 is installed. Room key insertion activates the vending sequence.



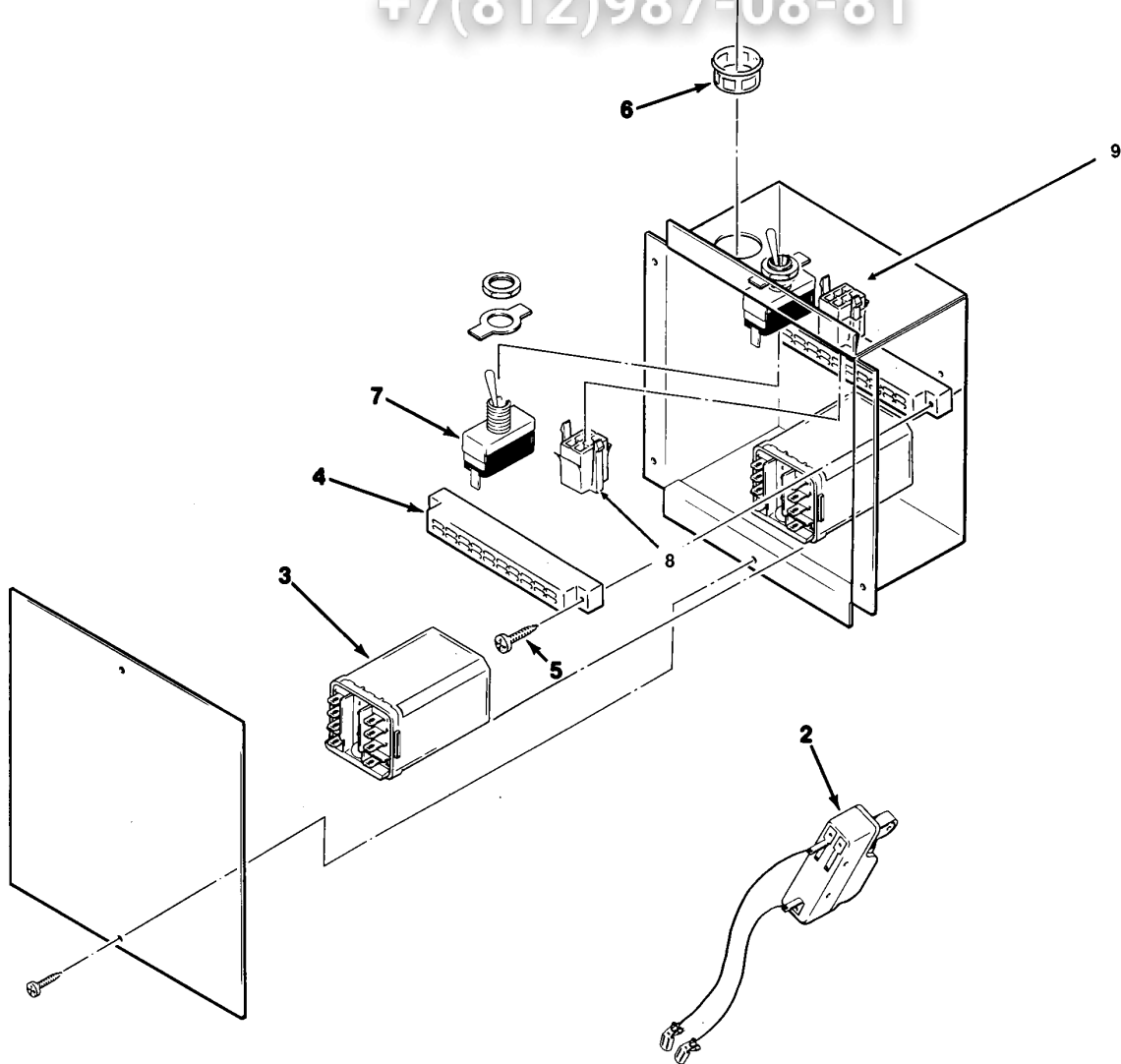
ITEM NUMBER	PART NUMBER	DESCRIPTION
1	A29791-001	Backing plate
2	12-2046-01	Microswitch
3	02-2752-01	Bearing nut
4	A26560-001	Bracket
5	A22053-000	Twin nut
6	A29709-003	Cover plate
7	02-2751-01	Cylinder mount
8	15-0674-08	Graphick label
9	03-1403-76	Screw
10	03-1407-05	Washer
11	03-1406-07	Nut
12	03-0431-05	Set screw

# CD200B SERVICE PARTS

RELAY FOR OPTIONAL KITS

vsezip.ru

+7(812)987-08-81



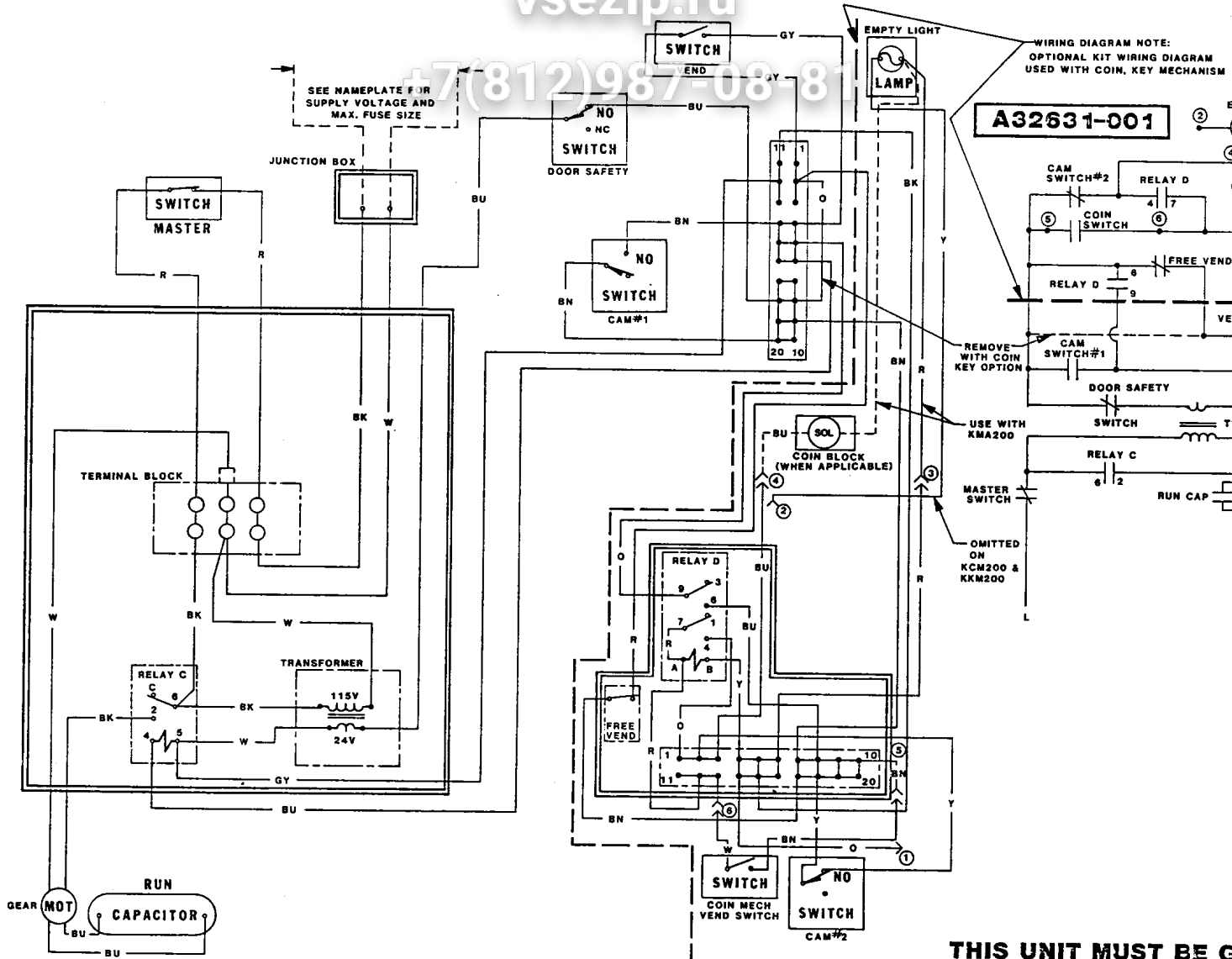
## RELAY BOX ASSEMBLY

ITEM NUMBER	PART NUMBER	DESCRIPTION
1	No number	Relay box
2	12-0876-00	Cam switch
3	12-2090-02	Relay
4	12-2175-01	Terminal block
5	03-1403-08	Screw
6	12-1213-10	Bushing
7	12-0426-01	Switch
8	12-2187-02	Plug
9	12-2188-02	Plug

Зип Общепит

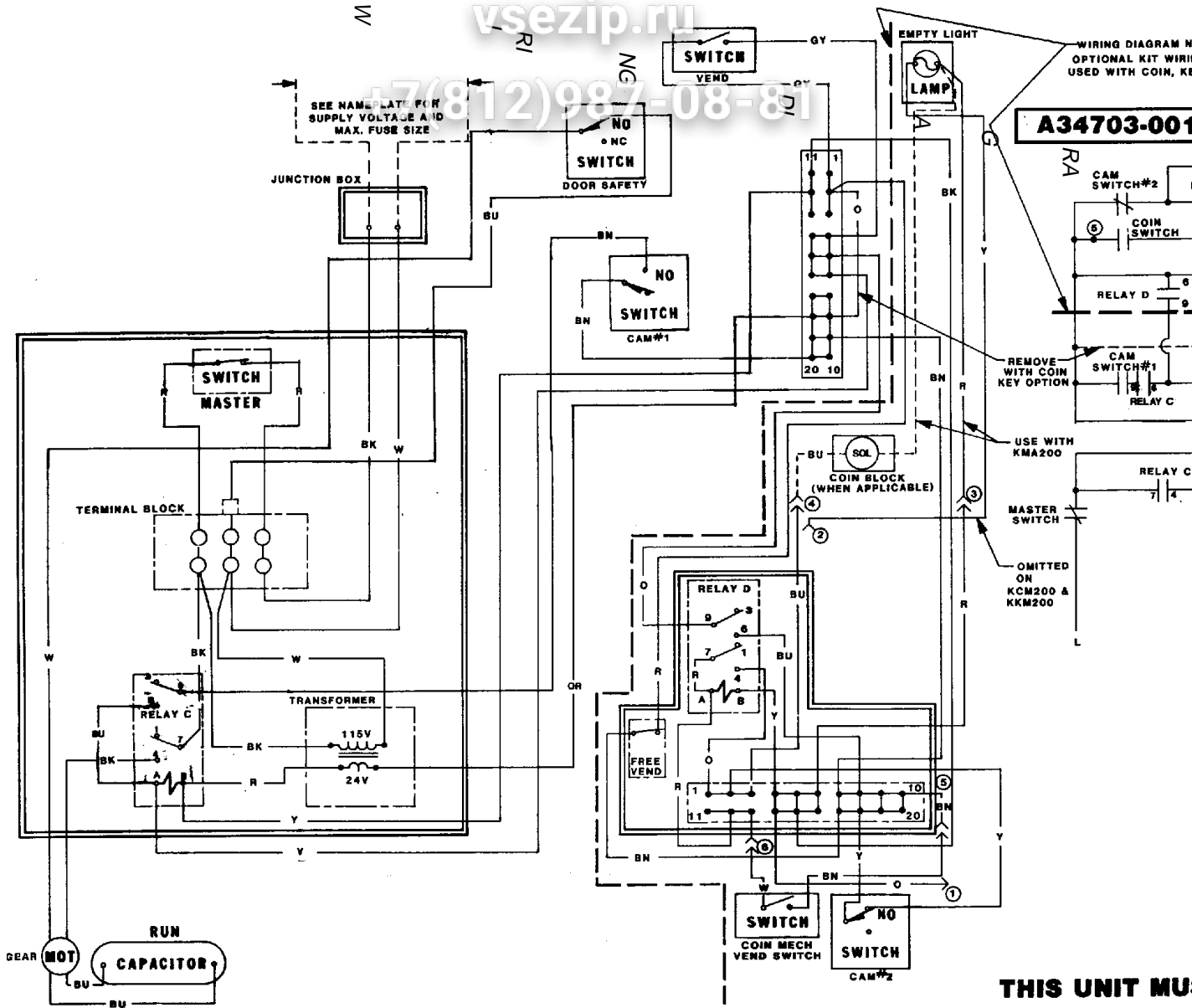
vsezip.ru

7(812)987-08-8



USE COPPER CONDUCTORS ONLY

THIS UNIT MUST BE G



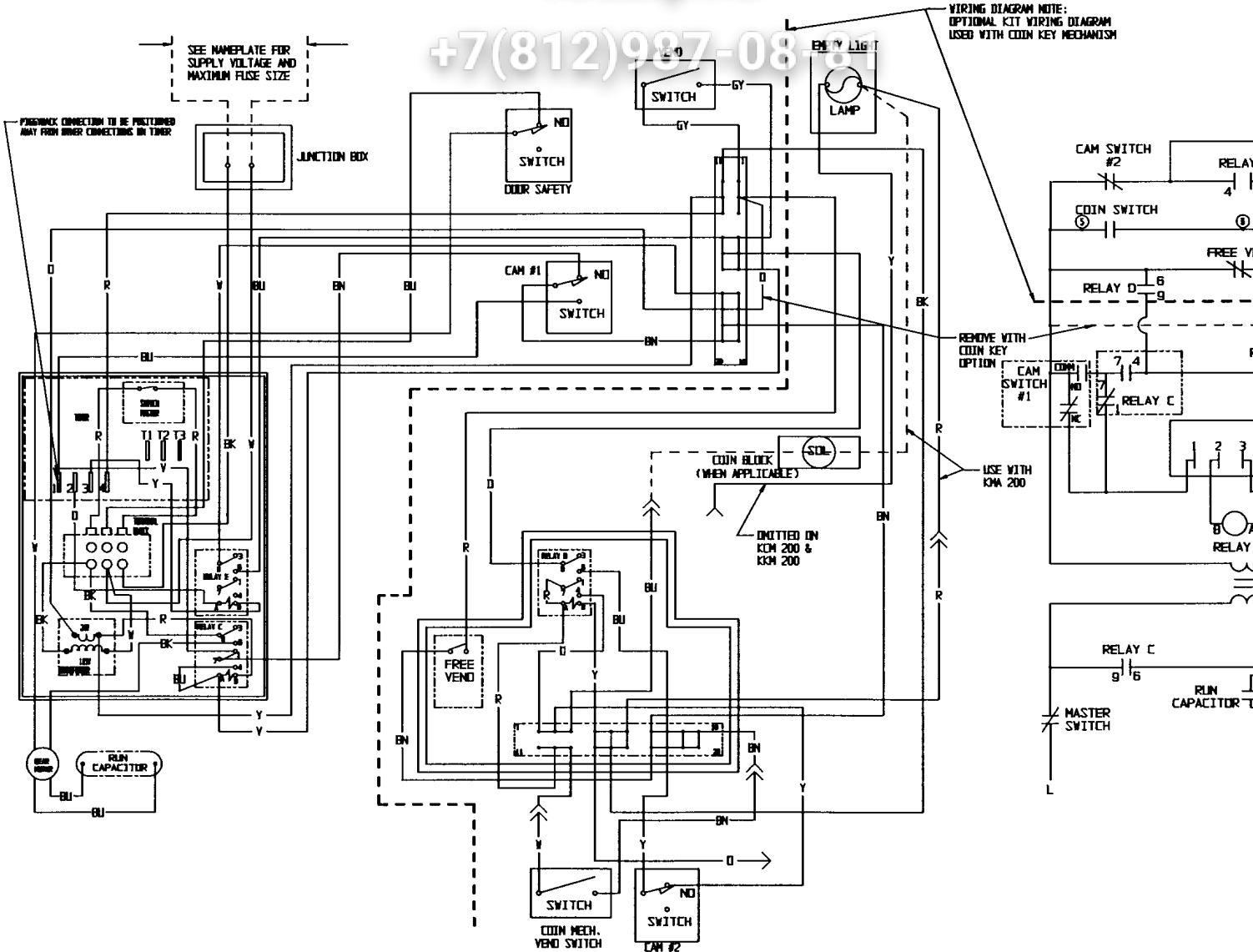
**USE COPPER CONDUCTORS ONLY**

Зип Общепит

vsezip.ru

+7(812)987-0888

WIRING DIAGRAM NOTE:  
OPTIONAL KIT WIRING DIAGRAM  
USED WITH COIN KEY MECHANISM



USE COPPER CONDUCTORS ONLY

THIS UNIT MUST

August 1997  
Page 16



# Зип Общепит

vsezip.ru

+7(812)987-08-81

WIRING DIAGRAM NOTE:  
OPTIONAL KIT WIRING DIAGRAM  
USED WITH COIN KEY MECHANISM

SEE NAMEPLATE FOR  
SUPPLY VOLTAGE AND  
MAXIMUM FUSE SIZE

FIG 6 W/BACK CONNECTION TO BE POSITIONED  
AWAY FROM OTHER CONNECTIONS ON TIMER

JUNCTION BOX

DOOR SAFETY

EMPTY LIGHT  
LAMP

CAM #1  
SWITCH

CAM SWITCH #2

COIN SWITCH

FREE VEND

RELAY D

REMOVE WITH  
COIN KEY  
OPTION

CAM SWITCH #1

RELAY C

OFF TIME

RELAY E

COIN BLOCK  
(WHEN APPLICABLE)

USE WITH  
KMA 200

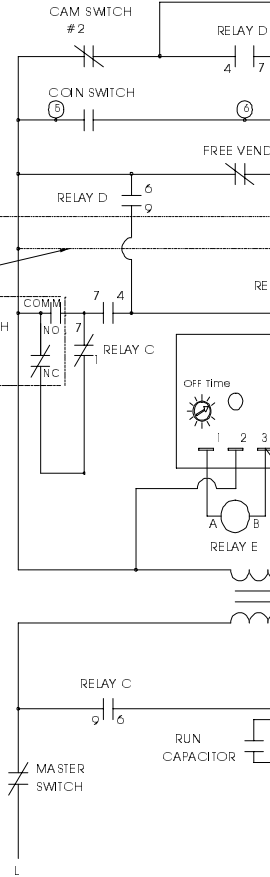
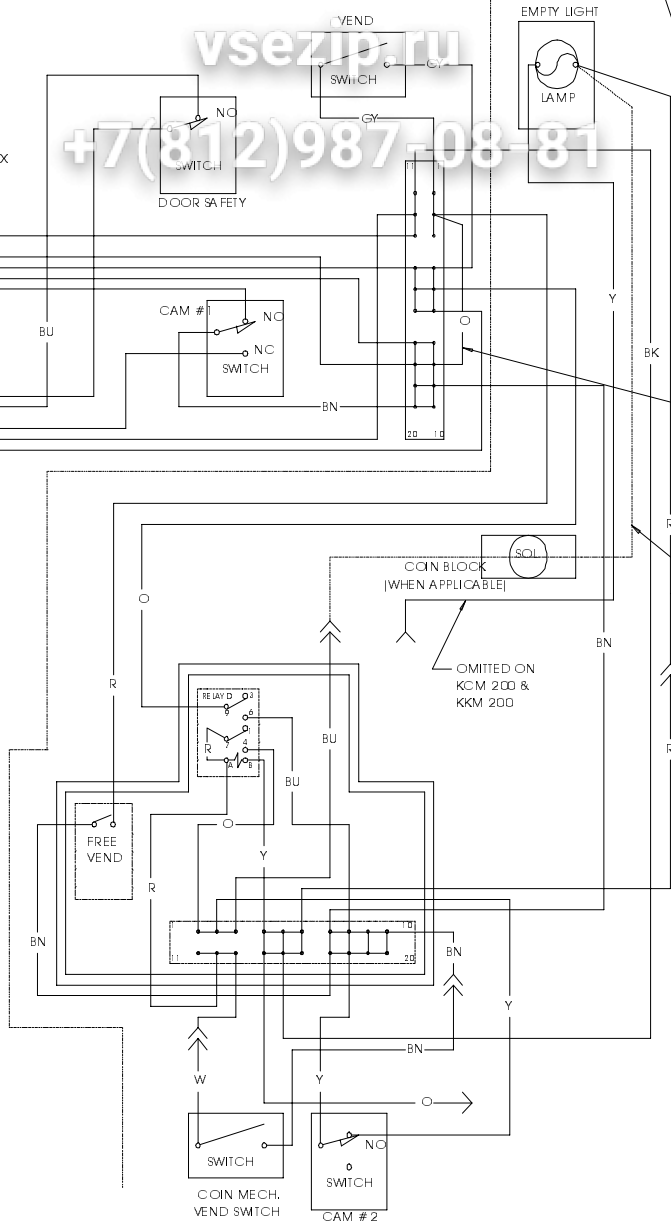
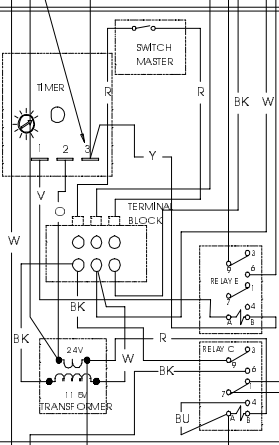
OMITTED ON  
KCM 200 &  
KKM 200

FREE VEND

RELAY C

MASTER SWITCH

RUN CAPACITOR



USE COPPER CONDUCTORS ONLY

THIS UNIT MUST BE C

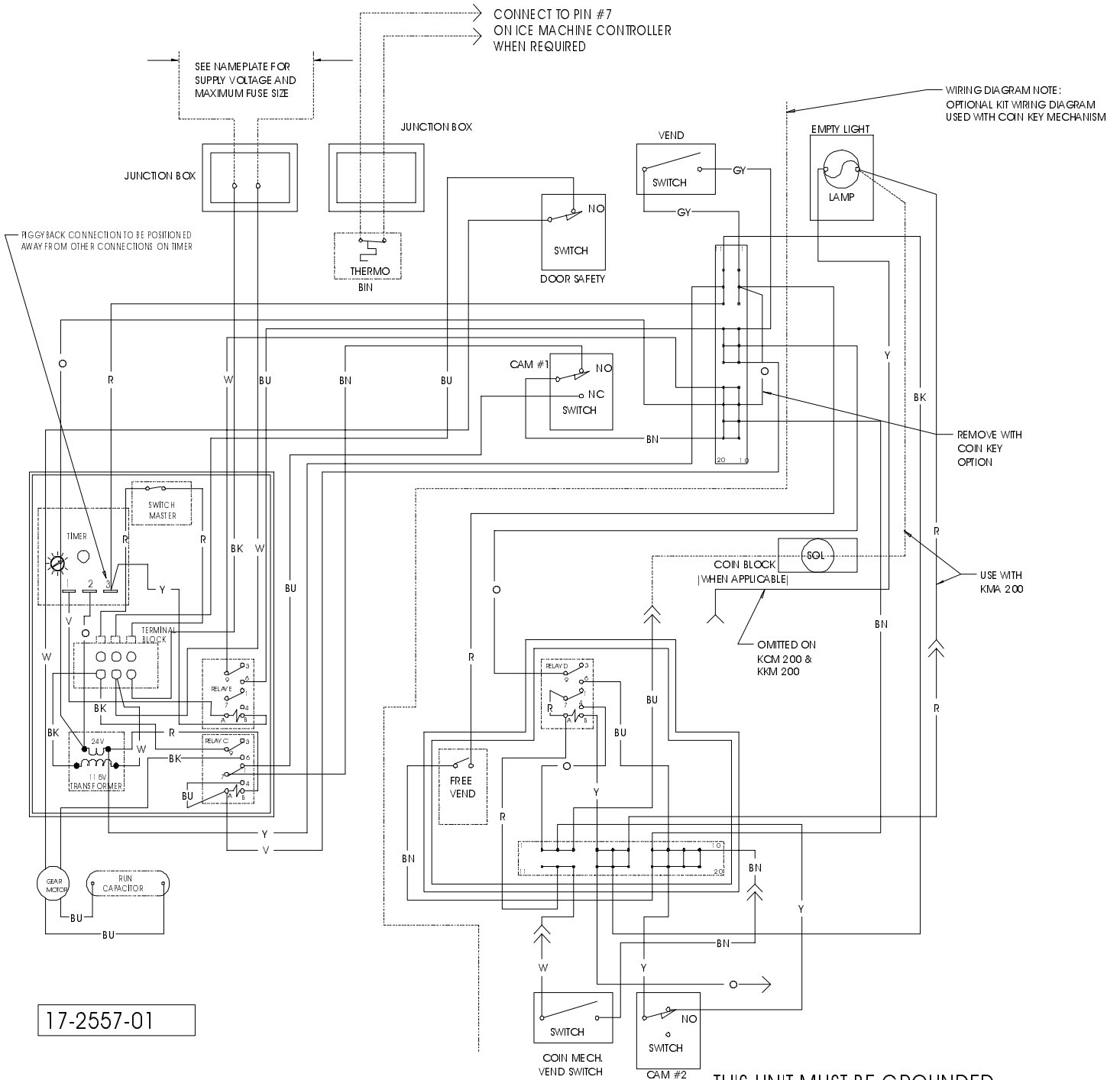
# CD200B SERVICE PARTS

Wiring Diagram, with internal thermostat for cuber control, began May 1997

Зип Общепит

vsezip.ru

+7(812)987-08-81



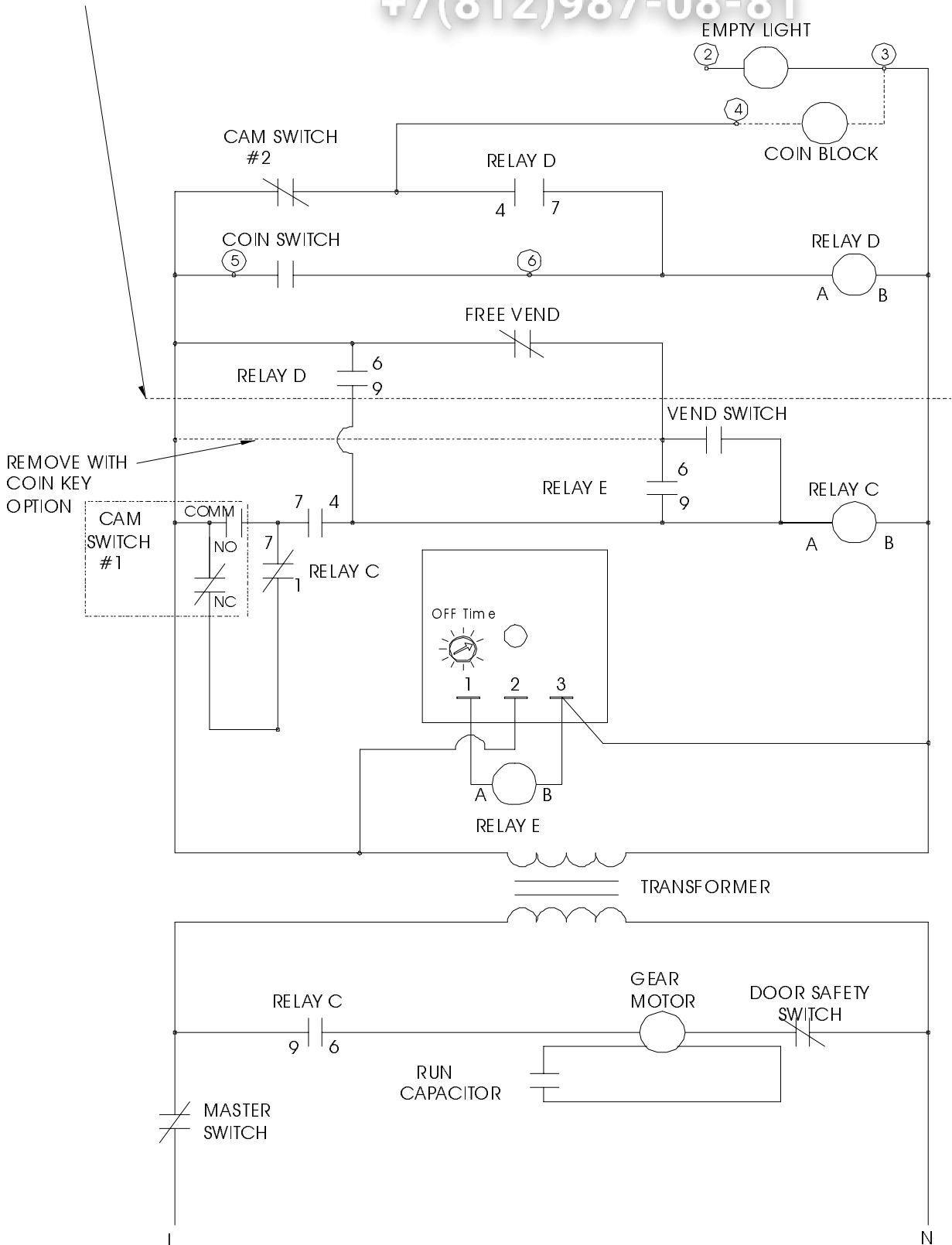
17-2557-01

USE COPPER CONDUCTORS ONLY

# CD200B SERVICE PARTS

Schematic Diagram, began May 1997 - Date Code -10N

WIRING DIAGRAM NOTE:  
OPTIONAL KIT WIRING DIAGRAM  
USED WITH COIN KEY MECHANISM



**THIS UNIT MUST BE GROUNDED**