



Зип Общепит  
+7(812)987-08-81

SPARE PARTS LIST  
CATALOGO RICAMBI  
CATALOGUE DES PIÈCES DÉTACHÉES  
ERSATZTEILENKATALOG

**BUL 20**

**BUL 30**

**BUL 40**

**BUL 65**

**BUL 90**

**R 134 A**

**Electronic cubers**

**Fabbricatori elettronici di ghiaccio  
a cubetti**

**Machines á glaçons électroniques**

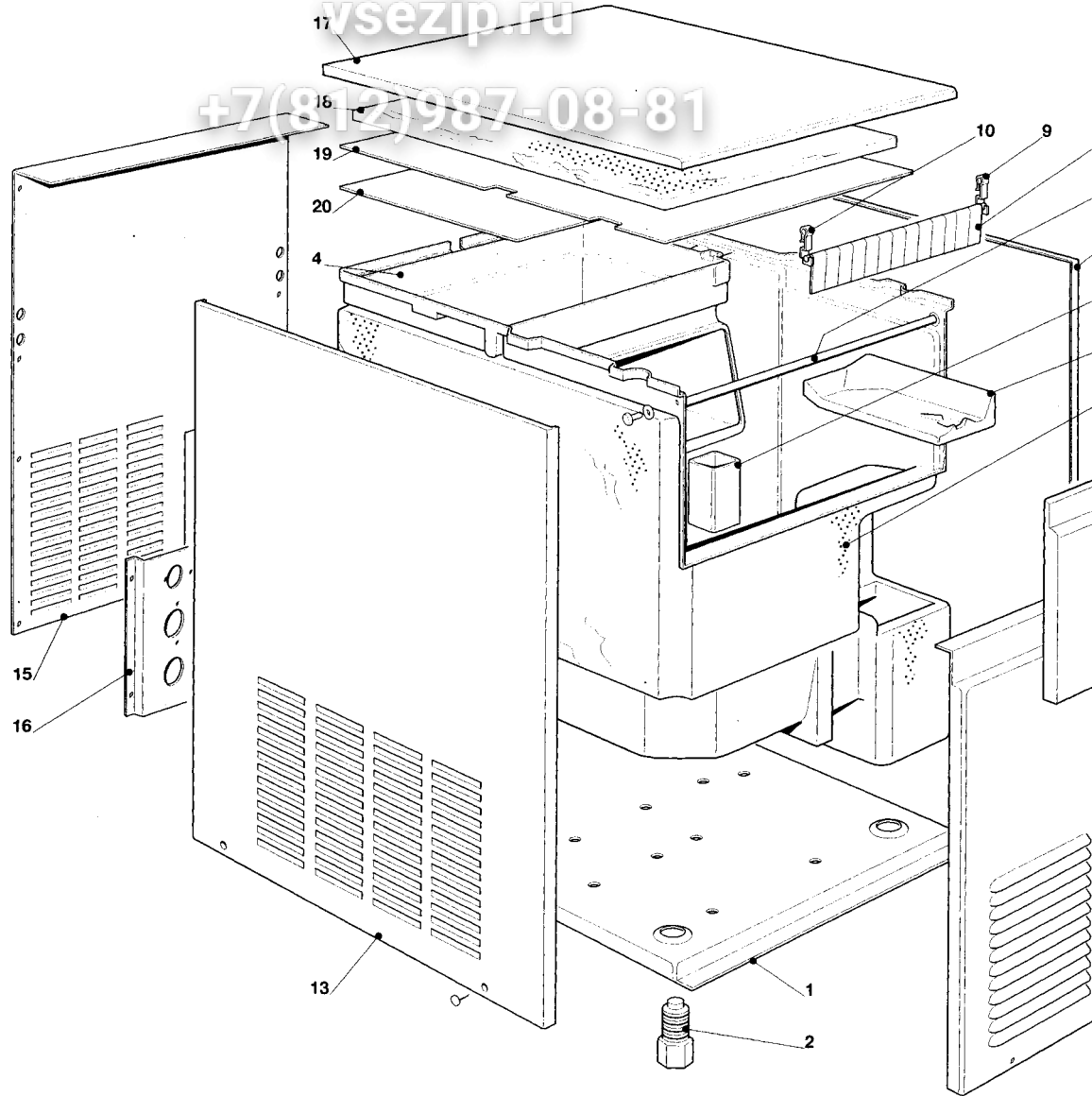
**Elektronische Kegeleisbereiter**

PAGE PAGINA PAGE SEITE	TABLE OF CONTENTS	INDICE	TABLE DES MATIÈRES
1	TABLE OF CONTENTS	INDICE	TABLE DES MATIERES
2-3	UNIT PANELS - BUL 20	ASSIEME MOBILE - BUL 20	ENS. CARROSSERIE - BUL 20
4-5	UNIT PANELS - BUL 30	ASSIEME MOBILE - BUL 30	ENS. CARROSSERIE - BUL 30
6-7	UNIT PANELS - BUL 40	ASSIEME MOBILE - BUL 40	ENS. CARROSSERIE - BUL 40
8-9	UNIT PANELS - BUL 65-90	ASSIEME MOBILE - BUL 65-90	ENS. CARROSSERIE - BUL 65-90
10-11	REFRIGERANT SYSTEM AIR COOLED - BUL 20-30-40	SISTEMA REFRIGERANTE RAFFR. AD ARIA - BUL 20-30-40	CIRCUIT FRIGORIFIQUE REFROID. A AIR - BUL 20-30-40
12-13	REFRIGERANT SYSTEM AIR COOLED - BUL 65-90	SISTEMA REFRIGERANTE RAFFR. AD ARIA - BUL 65-90	CIRCUIT FRIGORIFIQUE REFROID. A AIR - BUL 65-90
14-15	REFRIGERANT SYSTEM WATER COOLED - BUL 20-30-40	SISTEMA REFRIGERANTE RAFFR. AD ACQUA - BUL 20-30-40	CIRCUIT FRIGORIFIQUE REFROID. A EAU - BUL 20-30-40
16-17	REFRIGERANT SYSTEM WATER COOLED - BUL 65-90	SISTEMA REFRIGERANTE RAFFR. AD ACQUA - BUL 65-90	CIRCUIT FRIGORIFIQUE REFROID. A EAU - BUL 65-90
18-19	WATER SYSTEM - BUL 20	CIRCUITO IDRAULICO - BUL 20	CIRCUIT HYDRAULIQUE - BUL 20
20-21	WATER SYSTEM - BUL 30	CIRCUITO IDRAULICO - BUL 30	CIRCUIT HYDRAULIQUE - BUL 30
22-23	WATER SYSTEM - BUL 40	CIRCUITO IDRAULICO - BUL 40	CIRCUIT HYDRAULIQUE - BUL 40
24-25	WATER SYSTEM - BUL 65-90	CIRCUITO IDRAULICO - BUL 65-90	CIRCUIT HYDRAULIQUE - BUL 65-90
26-27	P.C. BOARD AND SENSOR ASSY - BUL 20-30	SCHEDA ELETTRONICA E SENSORI - BUL 20-30	ENS. CARTE ELECTRONIQUE ET DETECTEURS - BUL 20-30
28-29	P.C. BOARD AND SENSOR ASSY - BUL 40-65-90	SCHEDA ELETTRONICA E SENSORI - BUL 40-65-90	ENS. CARTE ELECTRONIQUE ET DETECTEURS - BUL 40-65-90

Зип-Общепит

vsezip.ru

+7(812)987-08-81



Зип Общепит

BUL 20 - UNIT PANELS - ASSIEME MOBILE - ENS. CARROSSERIE - MACHINE G

vsezip.ru

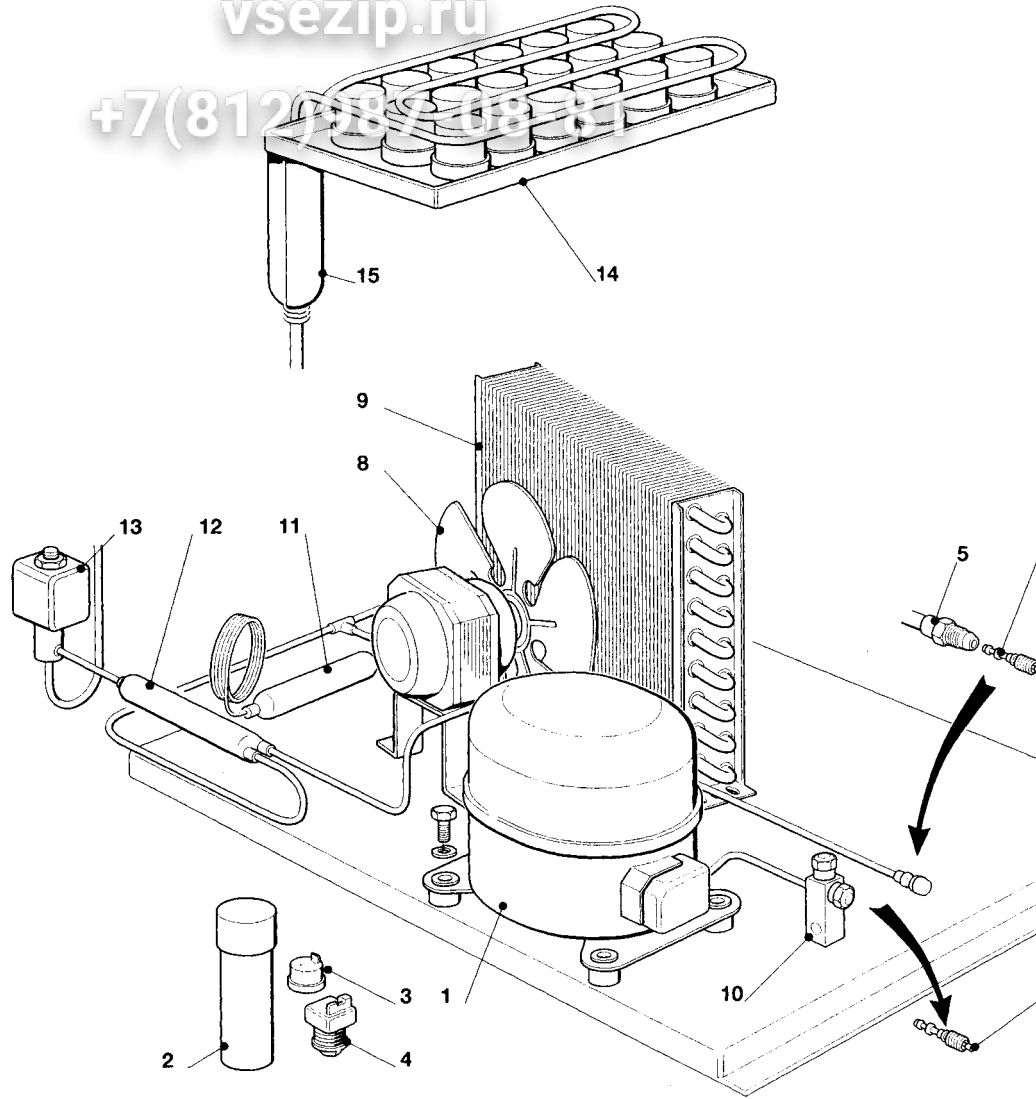
+7(812)987-08-81

ITEM NO POS NO REP. NO REF. NO	PART NO CODICE REFERENCE TUECK NR	DESCRIPTION	DESCRIZIONE	DESIGNATION
1	702184 00	UNIT BASE	BASAMENTO	BASEMENT
2	650382 01	LEGS	PIEDINI	PIEDS
3	782066 03 R	INSULATED STORAGE BIN	CELLA ISOLATA	CABINE STOCKAGE ISOLEE
4	660395 05	EVAPORATOR HOUSING	INVOLUCRO EVAPORATORE	CUVE ÉVAPORATEUR
5	732010 03	DOOR BRACKET	SUPPORTO SPORTELLO	SUPPORTE PORTE CABINE
6	660436 00	PLASTIC TUBE	TUNO IN PLASTICA	TUYAU
7	660437 01	SUMP COVER	COPRICANALINO	COUVERCLE RES. EAU
8	784250 02R	CURTAIN ASSY	ASSIEME TENDINA	ENSAMBLE RIDEAU
9	660388 01	CURTAIN BRACKET RIGHT	SUPPORTO TENDINA DX	SUPPORT RIDEAU DROITE
10	660388 00	CURTAIN BRACKET LEFT	SUPPORTO TENDINA SX	SUPPORT RIDEAU GAUCHE
11	721616 01	FRONT PANEL	PANNELLO FRONTALE	PANNEAU AVANT
12	782079 00R	BIN DOOR ASSY	ASSIEME SPORTELLO	ENSAMBLE PORTE CABINE
13	721614 00	LEFT SIDE PANEL	PANNELLO SX	PANNEAU GAUCHE
14	721615 00	RIGHT SIDE PANEL	PANNELLO DX	PANNEAU DROITE
15	702185 00	REAR PANEL	PANNELLO POSTERIORE	PANNEAU ARRIERE
16	702180 00	METAL BRACKET FOR FITTINGS	SUPPORTO ATTACCHI	SUPPORT DE RACCORDS
17	702113 00	TOP PANEL	PANNELLO SUPERIORE	PANNEAU SUPERIEURE
18-19	784378 14	UPPER INSULATION	ISOLAMENTO SUPERIORE	ISOLATION SUPERIEUR
20	742033 04	EVAPORATOR COVER	COPERCHIO EVAPORATORE	COUVERCLE EVAPORATEUR
*	732017 04	BULB HOLDER	PORTA BULBO	PORTEBULBE
*	660528 00	PLASTIC PLUG - RIGHT	TAPPO IN PLASTICA - DX	CAPUCHON EN PLASTIQUE -
*	660528 01	PLASTIC PLUG - LEFT	TAPPO IN PLASTICA - SX	CAPUCHON EN PLASTIQUE -
		* NOT SHOWN	* NON MOSTRATO	* PAS MONTRÉ

Зип-Общепит

vsezip.ru

+7(812)987-08-81



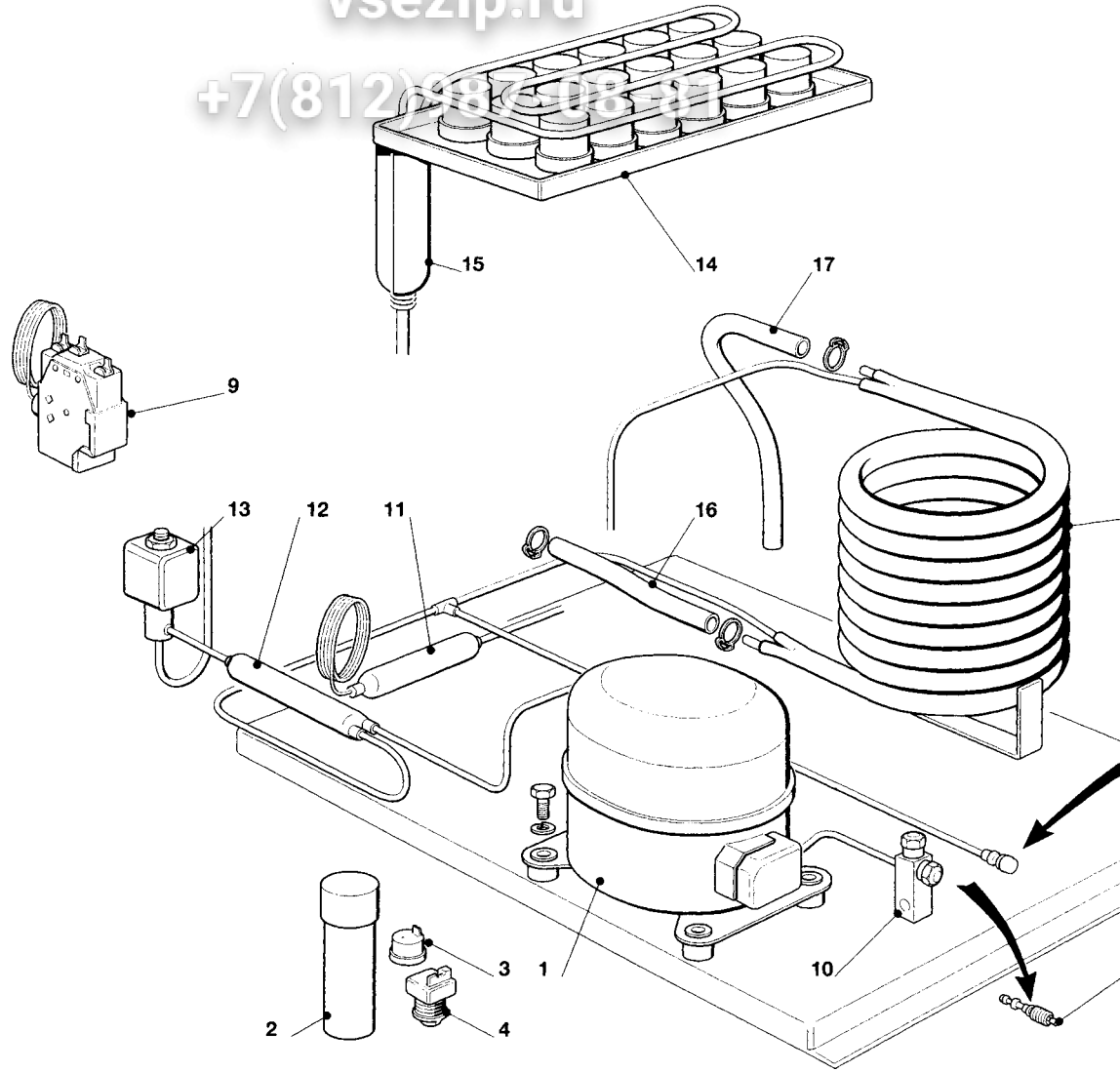
**BUL 20 - BUL 30 - BUL 40 - REFRIGERANT SYSTEM AIR COOLED - SISTEMA REFRIGERANTE  
CIRCUIT FRIGORIFIQUE REFROID. PAR AIR - LUFTGEKÜHLT GEFRIERSYSTEM**

ITEM NO POS NO REP. NO REF. NO	PART NO CODICE REFERENCE TUECK NR			DESCRIPTION	DESCRIZIONE	DESIGNATION
	BUL 20	BUL 30	BUL 40			
1	670097 08	670100 00	670101 00	COMPRESSOR ASSY	ASSIEME COMPRESSORE	ENSAMBLE COMPRESSEUR
2	620167 29	620167 29	620167 01	START CAPACITOR	CONDENSATORE D'AVVIAMENTO	CAPACITE DE DEMARRAGE
3	620058 65	620058 69	620058 77	PROTECTOR	PROTETTORE	PROTECTEUR
4	620057 35	620057 31	620057 42	RELAY	RELE	RELAIS
5	650109 00	650109 00	650109 00	VALVE BODY	CORPO VALVOLA	CORPS DE VANNE
6	670012 00	670012 00	670012 00	VALVE PISTON	PISTONCINO VALVOLA	PISTON
7	650106 00	650106 00	650106 00	VALVE CAP	CAPPUCCIO VALVOLA	CAPUCHON DE VANNE
8	620419 02 620419 32	620419 02 620419 32	620419 02 620419 33	FAN MOTOR FAN BLADE	MOTORE VENTILATORE VENTOLA	MOTEUR DU VENTILATEUR HELICE
9	620276 02	620420 00	620439 00	AIR COOLED CONDENSER	CONDENSATORE AD ARIA	CONDENSEUR A AIR
10	650694 00	650694 00	650694 00	SUCTION SERVICE VALVE	RUBINETTO DI CARICA	ROBINET DE SERVICE
11	630003 05	630003 05	630005 05	DRIER	FILTRO DEUMIDIFICATORE	FILTRE DESHYDRATEUR
12	630007 01	630007 01	630020 01	MECHANICAL FILTER	FILTRO MECCANICO	FILTRE MECANIQUE
13	620306 22 620306 48	630306 27 620306 48	620306 27 620306 48	HOT GAS VALVE BODY HOT GAS VALVE COIL	CORPO VALVOLA GAS CALDO BOBINA VALVOLA GAS CALDO	CORP VANNE GAZ CHAUD BOBINE VANNE GAZ CHAUD
14	784195 06	784415 01	784415 00	EVAPORATOR ASSY	ASSIEME EVAPORATORE	ENSAMBLE EVAPORATEUR
15	784444 00	784444 01	784444 04	SUCTION LINE/ACCUMULATOR	ACCUMUL. E LINEA ASPIRAZIONE	ENS. ASPIRATION/ACCUMUL.

Зип-Общепит

vsezip.ru

+7(812)987-08-41



**BUL 20 - BUL 30 - BUL 40 - REFRIGERANT SYSTEM WATER COOLED - SISTEMA REFRIGERANTE  
CIRCUIT FRIGORIFIQUE REFROID. PAR EAU - WASSERGEKÜHLT GEFRIERSYSTEM**

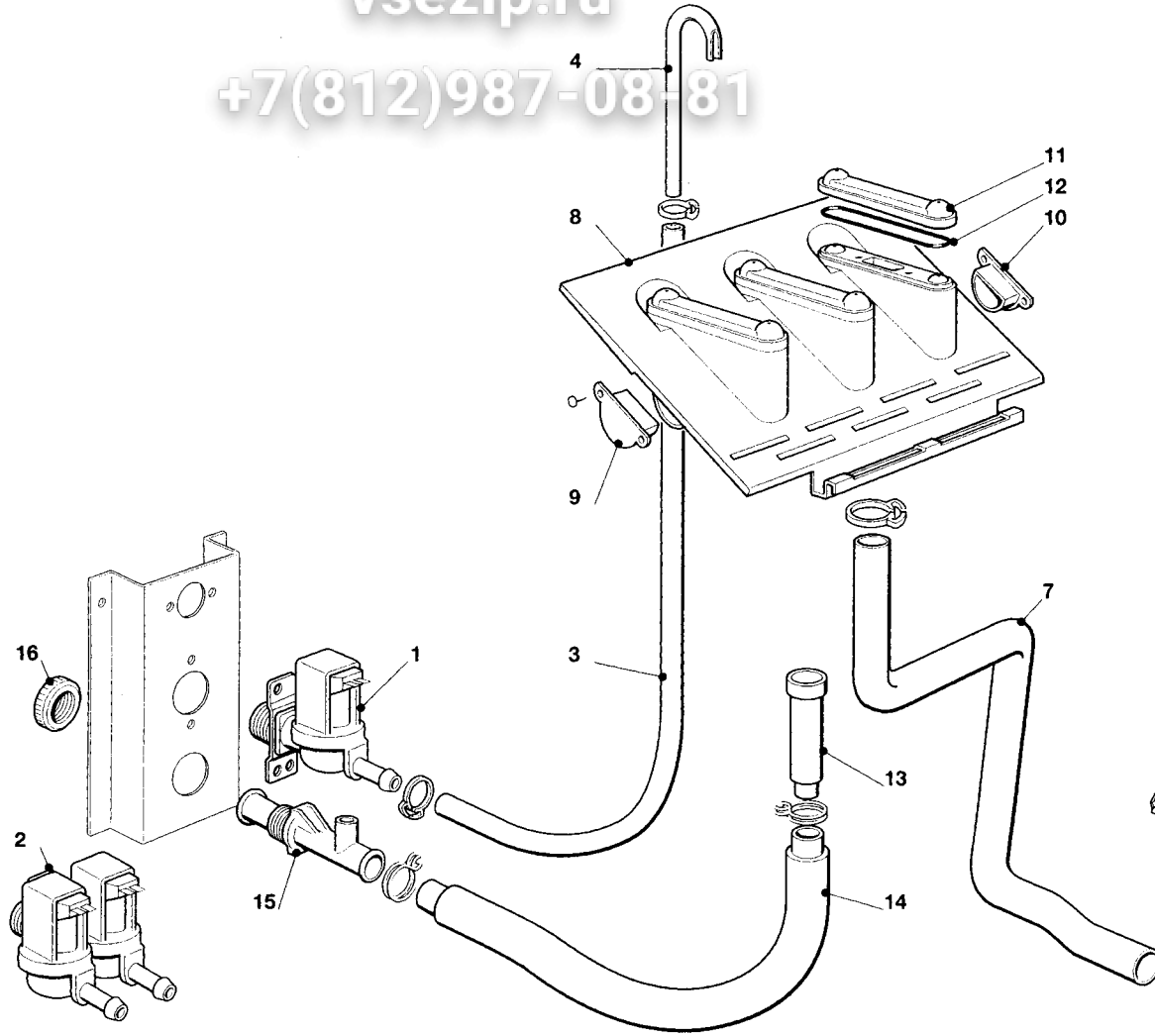
ITEM NO POS NO REP. NO REF. NO	PART NO CODICE REFERENCE TUECK NR			DESCRIPTION	DESCRIZIONE	DESIGNATION
	BUL 20	BUL 30	BUL 40			
1	670097 08	670100 00	670101 00	COMPRESSOR ASSY	ASSIEME COMPRESSORE	ENSAMBLE COMPRESSEUR
2	620167 29	620167 29	620167 01	START CAPACITOR	CONDENSATORE D'AVVIAMENTO	CAPACITE DE DEMARRAGE
3	620058 65	620058 69	620058 77	PROTECTOR	PROTETTORE	PROTECTEUR
4	620057 35	620057 31	620057 42	RELAY	RELE	RELAIS
5	650109 00	650109 00	650109 00	VALVE BODY	CORPO VALVOLA	CORPS DE VANNE
6	670012 00	670012 00	670012 00	VALVE PISTON	PISTONCINO VALVOLA	PISTON
7	650106 00	650106 00	650106 00	VALVE CAP	CAPPUCCIO VALVOLA	CAPUCHON DE VANNE
8	620389 00	620389 00	620389 00	WATER COOLED CONDENSER	CONDENSATORE AD ACQUA	CONDENSEUR A EAU
9	620075 00	620075 00	620075 00	PRESSURE CONTROL	PRESSOSTATO	PRESSOSTAT
10	650694 00	650694 00	650694 00	SUCTION SERVICE VALVE	RUBINETTO DI CARICA	ROBINET DE SERVICE
11	630003 05	630003 05	630003 05	DRIER	FILTRO DEUMIDIFICATORE	FILTRE DESHYDRATEUR
12	630007 01	630007 01	630020 01	MECHANICAL FILTER	FILTRO MECCANICO	FILTRE MECANIQUE
13	620306 22 620306 48	630306 27 620306 48	620306 27 620306 48	HOT GAS VALVE BODY HOT GAS VALVE COIL	CORPO VALVOLA GAS CALDO BOBINA VALVOLA GAS CALDO	CORP VANNE GAZ CHAUD BOBINE VANNE GAZ CHAUD
14	784195 06	784415 01	784415 00	EVAPORATOR ASSY	ASSIEME EVAPORATORE	ENSAMBLE EVAPORATEUR
15	784444 00	784444 01	784444 04	SUCTION LINE/ACCUMULATOR	ACCUMUL. E LINEA ASPIRAZIONE	ENS. ASPIRATION/ACCUMUL.
16	281900 01	281900 01	281900 01	PLASTIC TUBE-PER METER	TUBO IN PLASTICA-PER METRO	TUYAU EN PLASTIQUE-PER METRE
17	281900 01	281900 01	281900 01	PLASTIC TUBE-PER METER	TUBO IN PLASTICA-PER METRO	TUYAU EN PLASTIQUE-PER METRE



Зип-Общепит

vsezip.ru

+7(812)987-08-81



Зип-Общепит

BUL 20 - WATER SYSTEM - CIRCUITO IDRAULICO - CIRCUIT HYDRAULIQUE - WAS

vsezip.ru

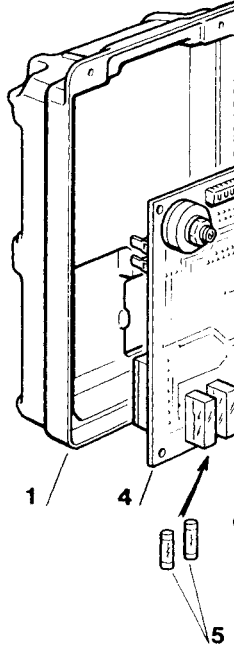
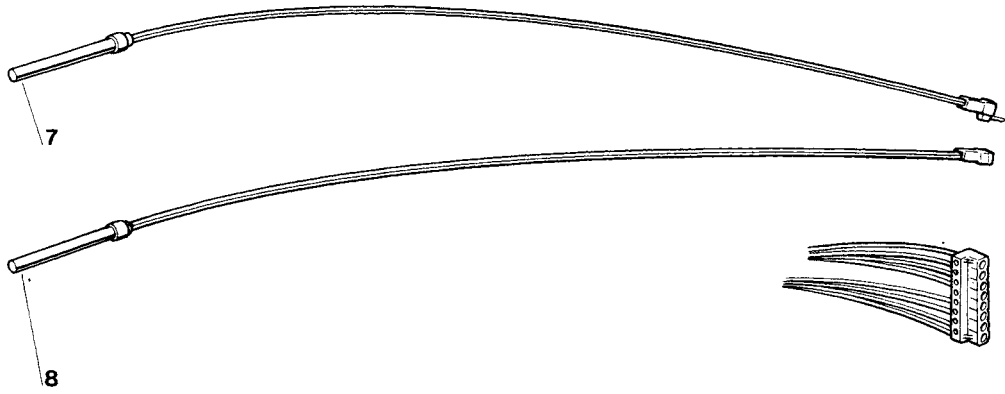
+7(812)987-08-81

ITEM NO POS NO REP. NO REF. NO	PART NO CODICE REFERENCE TUECK NR	DESCRIPTION	DESCRIZIONE	DESIGNATION
1	650105 50	WATER INLET VALVE - AIR COOLED	VALVOLA INGR. ACQUA - RAFF. ARIA	VANNE ARRIVEE EAU - REFF
2	650105 51	WATER INLET VALVE - WATER COOLED	VALVOLA INGR. ACQUA - RAFF. ACQUA	VANNE ARRIVEE EAU - REFF
3	281900 01	WATER INLET TUBE-PER METER	TUBO INGRESSO ACQUA-PER METRO	TUYAU ARRIVEE EAU-POUR
4	NO NBR	COPPER TUBE	TUBO RAME	TUYAU EN CUIVRE
5	723079 02	METAL BRACKET	SUPPORTO IN METALLO	SUPPORT METALLIQUE
6	620433 00	WATER PUMP ASSY	ASSIEME POMPA	ENSAMBLE POMPE A EAU
7	610160 00	WATER TUBE - PUMP TO SPRAY SYSTEM	TUBO MANDATA POMPA	TUYAU POMPE PLAQUE D'AR
8	793129 01	SPRAY PLATEN ASSY	ASSIEME SPRUZZATORE	ENS. PLAQUE PULVERISATIO
9	660520 03	PLASTIC PLUG	TAPPO IN PLASTICA	BOUCHON EN PLASTIQUE
10	660520 01	PLASTIC PLUG	TAPPO IN PLASTICA	BOUCHON EN PLASTIQUE
11	660519 01	PLASTIC COVER	COPERCHIO IN PLASTICA	COUVERCLE EN PLASTIQUE
12	640041 20	O RING	GUARNIZIONE O R	JOINT TORIQUE
13	660387 05	OVERFLOW STAND PIPE	TUBO TROPPO PIENO	TROP PLEIN
14	610148 10	DRAIN TUBE	TUBO SCARICO	TUYAU EVACUATION
15	660224 00	DRAIN T FITTING	RACCORDO DI SCARICO	RACCORD T D'EVACUATION
16	660535 00	PLASTIC RING NUT	GHIERA IN PLASTICA	COLLIER DE SERRAGE EN P

Зип-Общепит

vsezip.ru

+7(812)987-08-81



Зип-Общепит

**BUL 20 - BUL 30 - P.C. BOARD AND SENSOR ASSY - SCHEDA ELETTRONICA  
ENS. CARTE ELECTRONIQUE ET DETECTEURS - ELEKTRONISCHE KARTE UND TEMPERATUR**

vsezip.ru

+7(812)987-08-81

ITEM NO POS NO REP. NO REF. NO	PART NO CODICE REFERENCE STUECK NR	DESCRIPTION	DESCRIZIONE	DESIGNATION
1	660546 00	PLASTIC CONTROL BOX	SCATOLA ELETTRICA	BOITE ELECTRIQUE
2	660547 00	CONTROL BOX COVER	COPERCHIO SCATOLA ELETTRICA	COUVERCLE BOITE DE COM
4	620403 16 620403 17	P. C. BOARD ASSY RECYCLED PC BOARD	ASSIEME SCHEDA ELETTRONICA SCHEDA EL. RICICLATA	ENSAMBLE CARTE ELECTRO CARTE ELECTR. RECYCLÉ
5	630015 10	FUSE (16 A)	FUSIBILE (16 A)	FUSIBLE (16 A)
6	630015 11	FUSE (50 mA)	FUSIBILE (50 mA)	FUSIBLE (50 mA)
7	620404 10	EVAPORATOR TEMP. SENSOR	SENSORE TEMP. EVAPORATORE	CAPTEUR TEMP. EVAPORAT
8	620404 06	ICE LEVEL CONTROL SENSOR	SENSORE CONTR. LIVELLO GHIACCIO	DETECTEUR NIVEAU GLACE