

Зип-Общепит

BAR - LINE

vsezip.ru

+7(812)987-08-81

**SPARE PARTS LIST
CATALOGO RICAMBI
CATALOGUES PIÈCES DÉTACHÉES
ERSATZTEILENKATALOG**

20 - 30

40 - 50

65 - 90

R 134 A

Cubers

**Fabbricatori
di ghiaccio a cubetti**

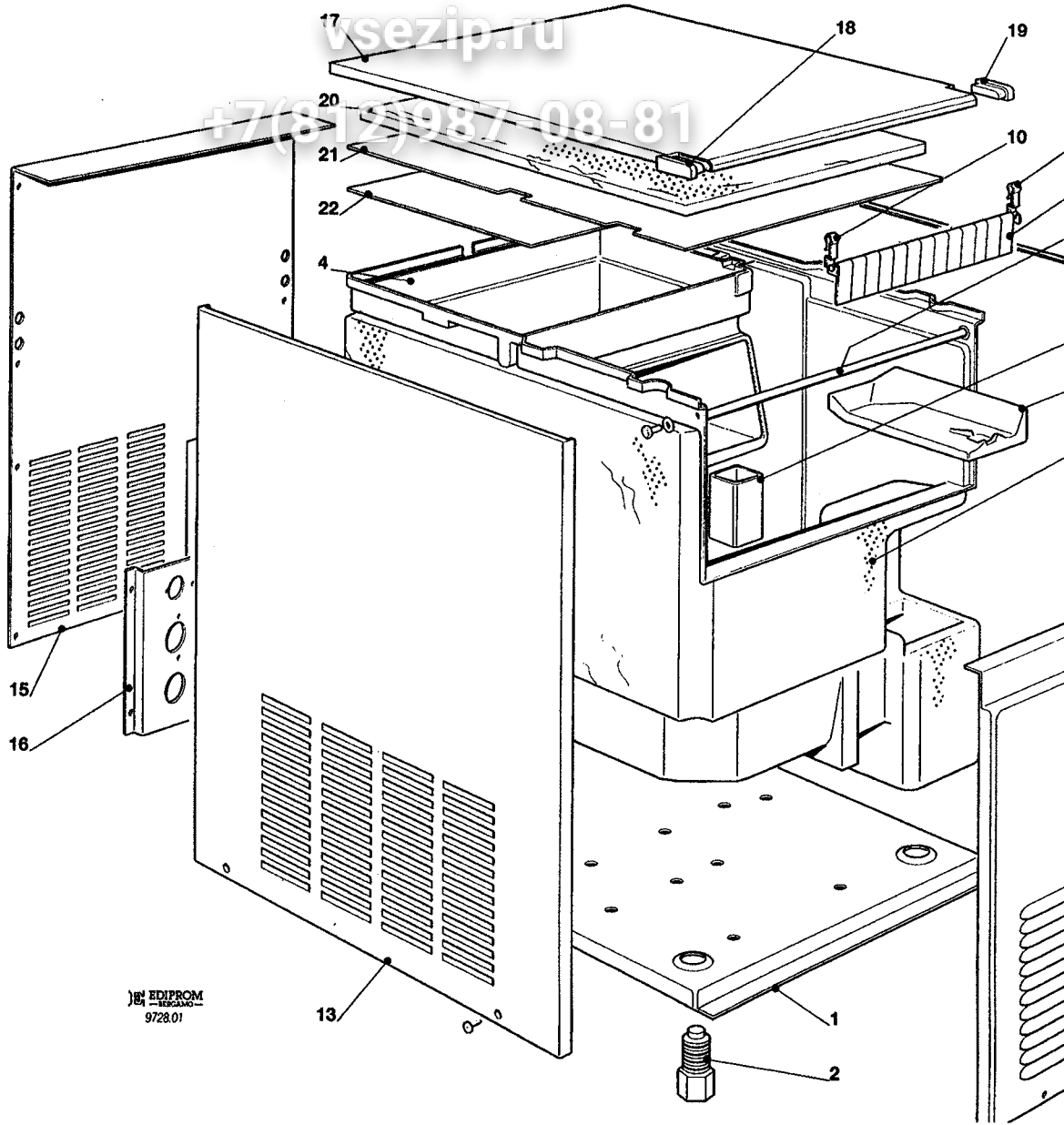
Machines á glaçons

Kegeleisbereiter

Зип Ощепит

vsezip.ru

+7(812)987-08-81



EDIPROM
9728.01

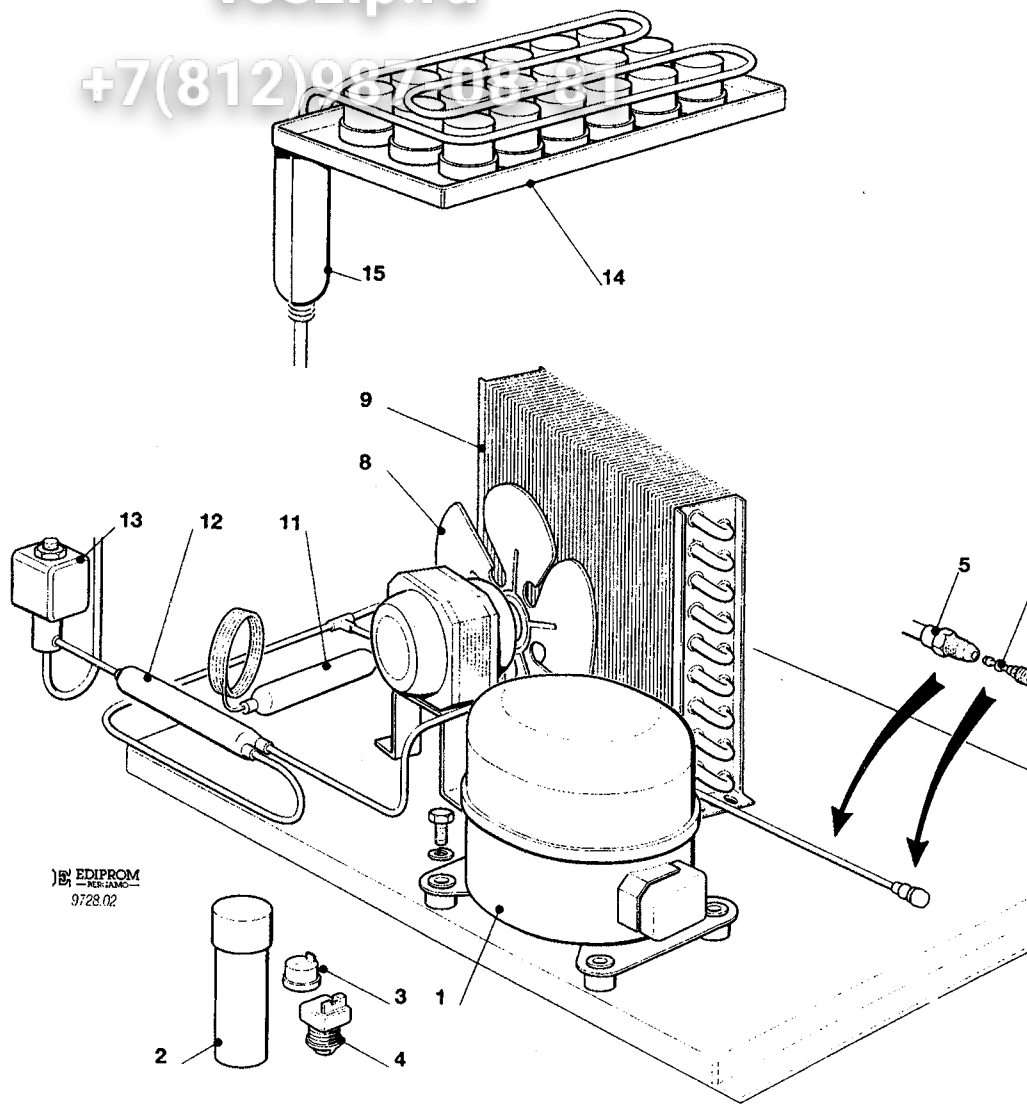
20 - 30 - UNIT PANELS - ASSIEME MOBILE - ENS. CARROSSERIE - MACHINE

ITEM NO POS NO REP. NO REF. NO	PART NO CODICE REFERENCE STUECK NR		DESCRIPTION	DESCRIZIONE	DESIGNATION
	20	30			
1	702184 00	702195 00	UNIT BASE	BASAMENTO	BASEMENT
2	650382 01		LEGS	PIEDINI	PIEDS
3	782066 03	782064 04	INSULATED STORAGE BIN	CELLA ISOLATA	CABINE STOCKAGE ISOLE
4	660395 05	660395 03	EVAPORATOR HOUSING	INVOLUCRO EVAPORATORE	CUVE ÉVAPORATEUR
5	732010 03	732016 03	DOOR BRACKET	SUPPORTO SPORTELLO	SUPPORTE PORTE CABIN
6	660436 00	743112 00	PLASTIC TUBE	TUNO IN PLASTICA	TUYAU
7	660437 01	660391 00	SUMP COVER	COPRICANALINO	COUVERCLE RES. EAU
8	784250 02R		CURTAIN ASSY	ASSIEME TENDINA	ENSAMBLE RIDEAU
9	660388 01		CURTAIN BRACKET RIGHT	SUPPORTO TENDINA DX	SUPPORT RIDEAU DROIT
10	660388 00		CURTAIN BRACKET LEFT	SUPPORTO TENDINA SX	SUPPORT RIDEAU GAUCH
11	721616 00	721621 00	FRONT PANEL	PANNELLO FRONTALE	PANNEAU AVANT
12	782079 00R	782079 05R	BIN DOOR ASSY	ASSIEME SPORTELLO	ENSAMBLE PORTE CABIN
13	721614 00	721622 00	LEFT SIDE PANEL	PANNELLO SX	PANNEAU GAUCHE
14	721615 00	721623 00	RIGHT SIDE PANEL	PANNELLO DX	PANNEAU DROITE
15	702185 00	702193 00	REAR PANEL	PANNELLO POSTERIORE	PANNEAU ARRIERE
16	702180 00		METAL BRACKET FOR FITTINGS	SUPPORTO ATTACCHI	SUPPORT DE RACCORD
17	781395 24	781395 26	TOP PANEL	PANNELLO SUPERIORE	PANNEAU SUPERIEURE
18	660528 01		PLASTIC PLUG LEFT	TAPPO IN PLASTICA SX	CAPUCHON EN PLASTIQU
19	660528 00		PLASTIC PLUG RIGHT	TUBO IN PLASTICA DX	CAPUCHON EN PLASTIQU
20	650236 19	650236 20	UPPER INSULATION	ISOLAMENTO SUPERIORE	ISOLATION SUPERIEUR
21	660539 00	660540 00	EVAPORATOR PLASTIC COVER	COPERCHIO IN PLASTICA	COUVERCLE ÉVAPORATE
22	742033 00	741074 00	EVAPORATOR COVER	COPERCHIO EVAPORATORE	COUVERCLE EVAPORATE
*	732017 04	732017 05	BULB HOLDER	PORTA BULBO	PORTEBULBE
			* NOT SHOWN	* NON MOSTRATO	* PAS MONTRÉ

Зип Ощепит

vsezip.ru

+7(812)987-08-81



EDIPROM
9728.02

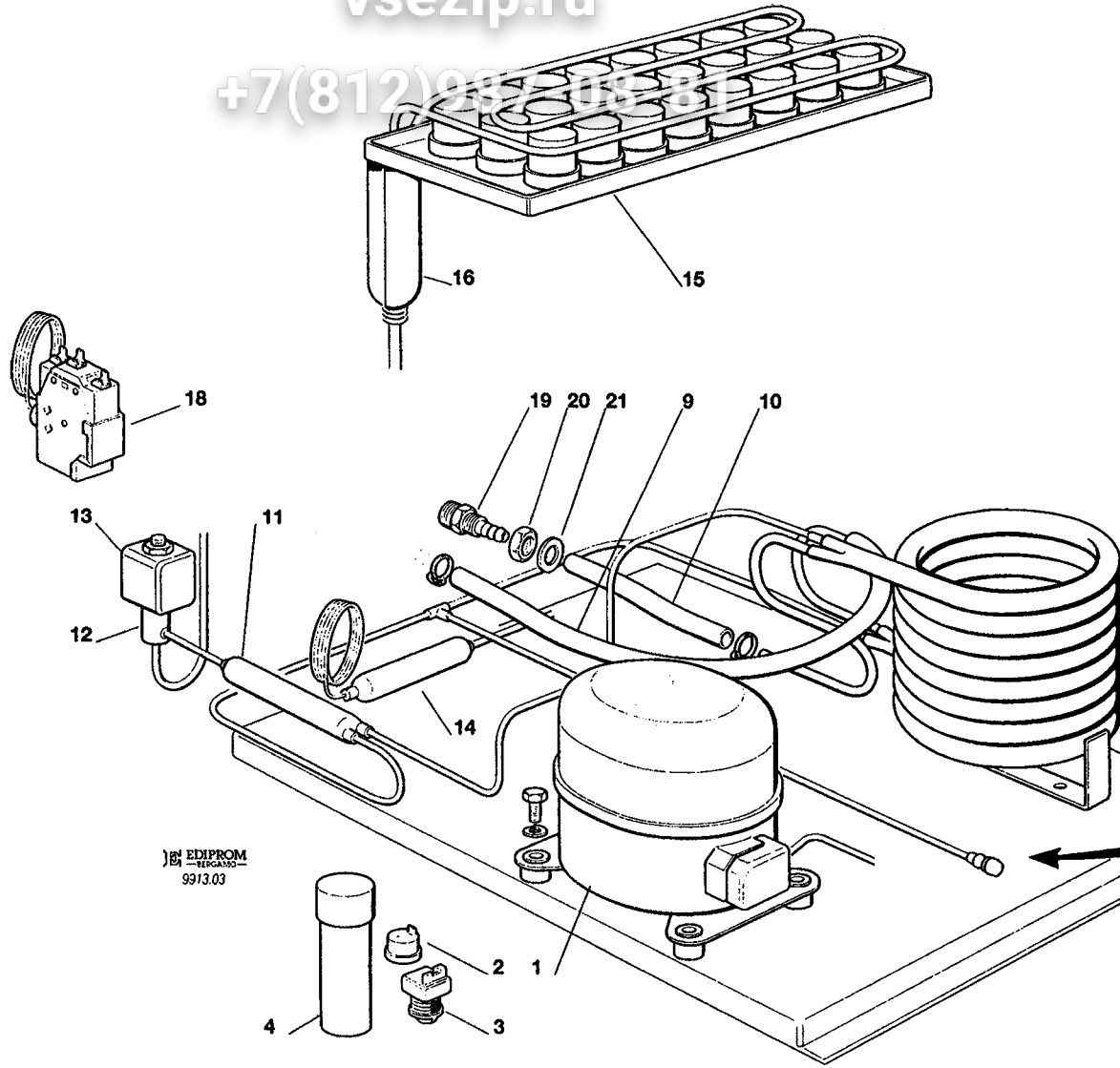
20 - 30 - 40 - 50 - REFRIGERANT SYSTEM AIR COOLED - SISTEMA REFRIGERANT
CIRCUIT FRIGORIFIQUE REFOID. PAR AIR - LUFTGEKÜHLT GEFRIERSYS

ITEM NO POS NO REP. NO REF. NO	PART. NO - CODICE REFERENCE - STUECK NR				DESCRIPTION	DESCRIZIONE	DESCRIZIONE
	20	30	40	50			
1	670097 08 670066 08	670100 00 670101 01	670101 00 670101 02	670100 01	COMPRESSOR ASSY - 230/50/1 COMPRESSOR ASSY - 230/60/1	ASSIEME COMPRESSORE - 230/50/1 ASSIEME COMPRESSORE - 230/60/1	ENSAMBLE COMPRESS ENSAMBLE COMPRESS
2	620167 29 620167 01	620167 29	620167 01 620167 01	620167 29	START CAPACITOR - 230/50/1 START CAPACITOR - 230/60/1	CONDENSATORE D'AVVIAMENTO - 230/50/1 CONDENSATORE D'AVVIAMENTO - 230/60/1	CAPACITE DE DEMARR CAPACITE DE DEMARR
3	620058 65 620058 74	620058 69 620058 86	620058 77 620058 80	620058 67	PROTECTOR - 230/50/1 PROTECTOR - 230/60/1	PROTETTORE - 230/50/1 PROTETTORE - 230/60/1	PROTECTEUR - 230 PROTECTEUR - 260
4	620057 35 620057 40	620057 31 620057 03	620057 42 620057 49	620057 56	RELAY - 230/50/1 RELAY - 230/60/1	RELE - 230/50/1 RELE - 230/60/1	RELAIS - 230/50/1 RELAIS - 230/60/1
5	650109 00				VALVE BODY	CORPO VALVOLA	CORPS DE VANNE
6	670012 00				VALVE PISTON	PISTONCINO VALVOLA	PISTON
7	650106 00				VALVE CAP	CAPPUCCIO VALVOLA	CAPUCHON DE VAN
8	620419 32	620419 02 620419 32	620419 33	620419 33	FAN MOTOR FAN BLADE	MOTORE VENTILATORE VENTOLA	MOTEUR DU VENTIL HELICE
9	620276 02	620420 00	620439 00	620455 00	AIR COOLED CONDENSER	CONDENSATORE AD ARIA	CONDENSEUR A AIR
11	630003 05				DRIER	FILTRO DEUMIDIFICATORE	FILTRE DESHYDRAT
12	630007 01	630007 01	630020 01	630137 01	MECHANICAL FILTER	FILTRO MECCANICO	FILTRE MECANIQUE
13	620306 22	620306 27 620306 48	620306 27	620306 27	HOT GAS VALVE BODY HOT GAS VALVE COIL	CORPO VALVOLA GAS CALDO BOBINA VALVOLA GAS CALDO	CORP VANNE GAZ BOBINE VANNE GAZ
14	784195 04 784195 06	784256 00 784415 01	784256 01 784415 00	784477 02	EVAPORATOR ASSY - M EVAPORATOR ASSY - L	ASSIEME EVAPORATORE - M ASSIEME EVAPORATORE - L	ENSAMBLE EVAPOF ENSAMBLE EVAPOF
15	784444 00	784444 01	784444 04	784444 10	SUCTION LINE/ACCUMULATOR	ACCUMUL. E LINEA ASPIRAZIONE	ENS. ASPIRATION/ACC

Зип-Общепит

vsezip.ru

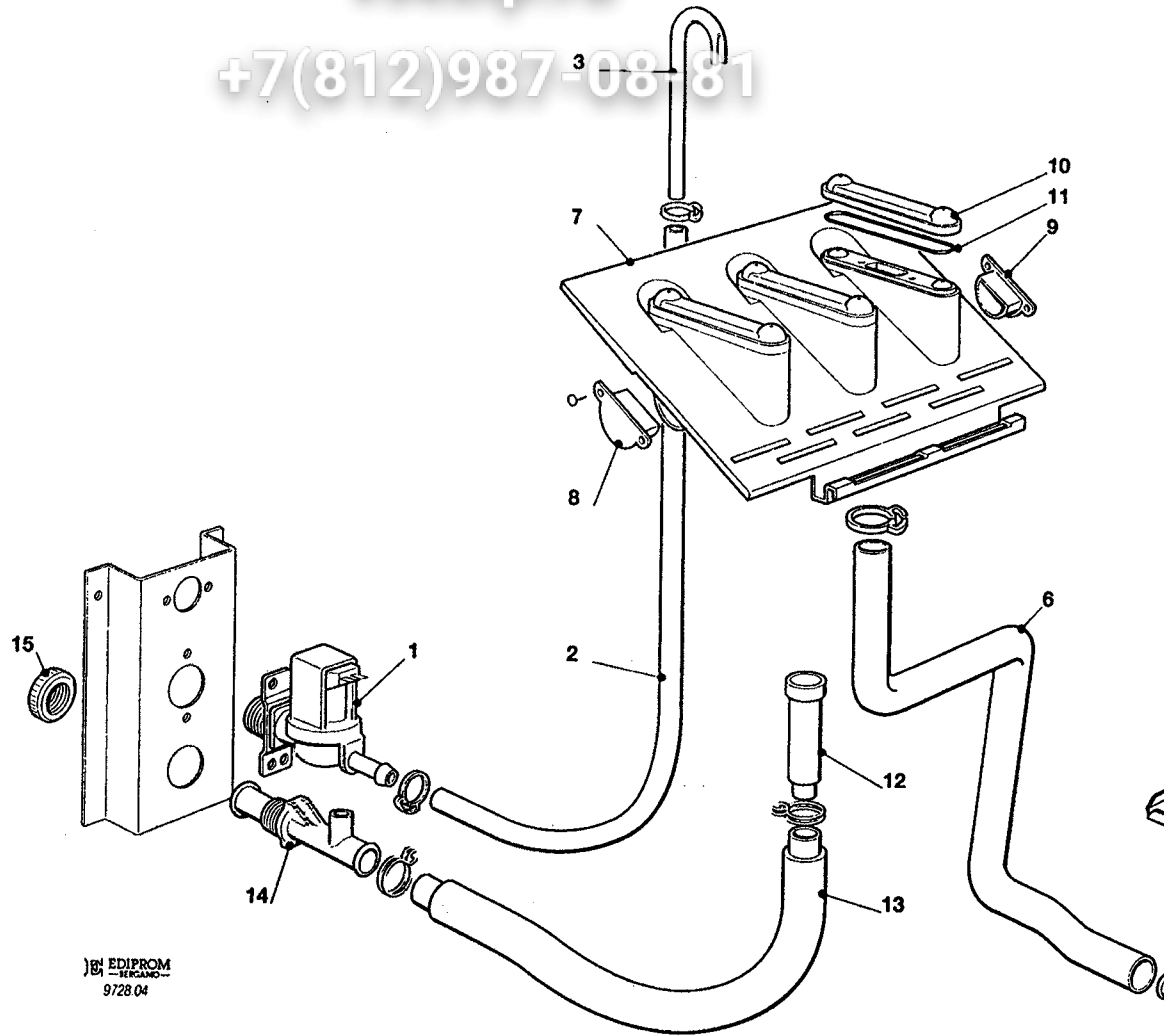
+7(812)287-08-81



Зип-Общепит

vsezip.ru

+7(812)987-08-81



EDIPROM
BERGAMO
9728.04

20 - 30 - WATER SYSTEM - CIRCUITO IDRAULICO - CIRCUIT HYDRAULIQUE - WA

Зип-Общепит

vsezip.ru

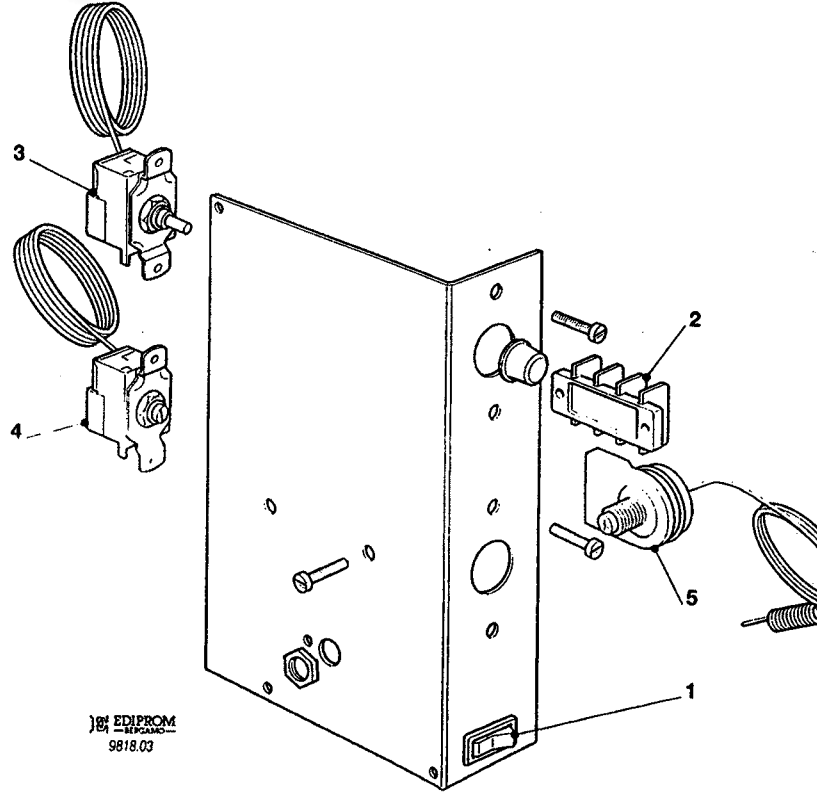
+7(812)987-08-81

ITEM NO POS NO REP. NO REF. NO	PART NO CODICE REFERENCE STUECK NR		DESCRIPTION	DESCRIZIONE	DESIGNATION
	20	30			
1	650105 50 650105 51		WATER INLET VALVE - AIR COOLED WATER INLET VALVE - WATER COOLED	VALVOLA INGR. ACQUA - RAFF. ARIA VALVOLA INGR. ACQUA - RAFF. ACQUA	VANNE ARRIVEE EAU - REF VANNE ARRIVEE EAU - REF
2	281900 01		WATER INLET TUBE-PER METER	TUBO INGRESSO ACQUA-PER METRO	TUYAU ARRIVEE EAU-POU
3	NO NBR		COPPER TUBE	TUBO RAME	TUYAU EN CUIVRE
4	723079 02		METAL BRACKET	SUPPORTO IN METALLO	SUPPORT METALLIQUE
5	620433 00 620433 01		WATER PUMP ASSY - 230/50/1 WATER PUMP ASSY - 230/60/1	ASSIEME POMPA - 230/50/1 ASSIEME POMPA - 230/60/1	ENSAMBLE POMPE A EAU ENSAMBLE POMPE A EAU
6	610160 00	610150 02	WATER TUBE - PUMP TO SPRAY SYSTEM	TUBO MANDATA POMPA	TUYAU POMPE PLAQUE D'A
7	793129 01		SPRAY PLATEN ASSY	ASSIEME SPRUZZATORE	ENS. PLAQUE PULVERISAT
8	660520 03		PLASTIC PLUG	TAPPO IN PLASTICA	BOUCHON EN PLASTIQUE
9	660520 02		PLASTIC PLUG	TAPPO IN PLASTICA	BOUCHON EN PLASTIQUE
10	660519 01		PLASTIC COVER	COPERCHIO IN PLASTICA	COUVERCLE EN PLASTIQUE
11	640041 20		O RING	GUARNIZIONE O R	JOINT TORIQUE
12	660387 05	660387 04	OVERFLOW STAND PIPE	TUBO TROPPO PIENO	TROP PLEIN
13	610148 10		DRAIN TUBE	TUBO SCARICO	TUYAU EVACUATION
14	660224 00		DRAIN T FITTING	RACCORDO DI SCARICO	RACCORD T D'EVACUATION
15	660535 00		PLASTIC RING NUT	GHIERA IN PLASTICA	COLLIER DE SERRAGE EN

Зип Ощепит

vsezip.ru

+7(812)987-08-81



20 - 30 - 40 - CONTROL BOX - SCATOLA DI CONTROLLO - BOITE ELECTRIQUE - SC

ITEM NO POS NO REP. NO REF. NO	PART NO CODICE REFERENCE STUECK NR	DESCRIPTION	DESCRIZIONE	DESIGNATION
1	620442 01	SWITCH	INTERRUTTORE	INTERRUPTEUR
2	630114 01	TERMINAL BOARD	MORSETTIERA	BORNIER
3	620264 11	EVAPORATCR THERMOSTAT	THERMOSTATO EVAPORATORE	THERMOSTAT EVAPORATE
4	620209 00	BIN THERMOSTAT	THERMOSTATO CONTENITORE	THERMOSTAT CONTENEUR
5	620443 00	THERMOSTAT - SAFETY	THERMOSTATO DI SICUREZZA	THERMOSTAT DE SECURIT