

AutoSentry Double System RL SERVICE PARTS

ЗИП ОБЩЕПИТ

This parts list contains the service parts and wiring diagrams for this model. Check the model number of the machine requiring the parts to be sure that this is the correct parts list.

vsezip.ru

+7(812)987-08-81

TABLE OF CONTENTS

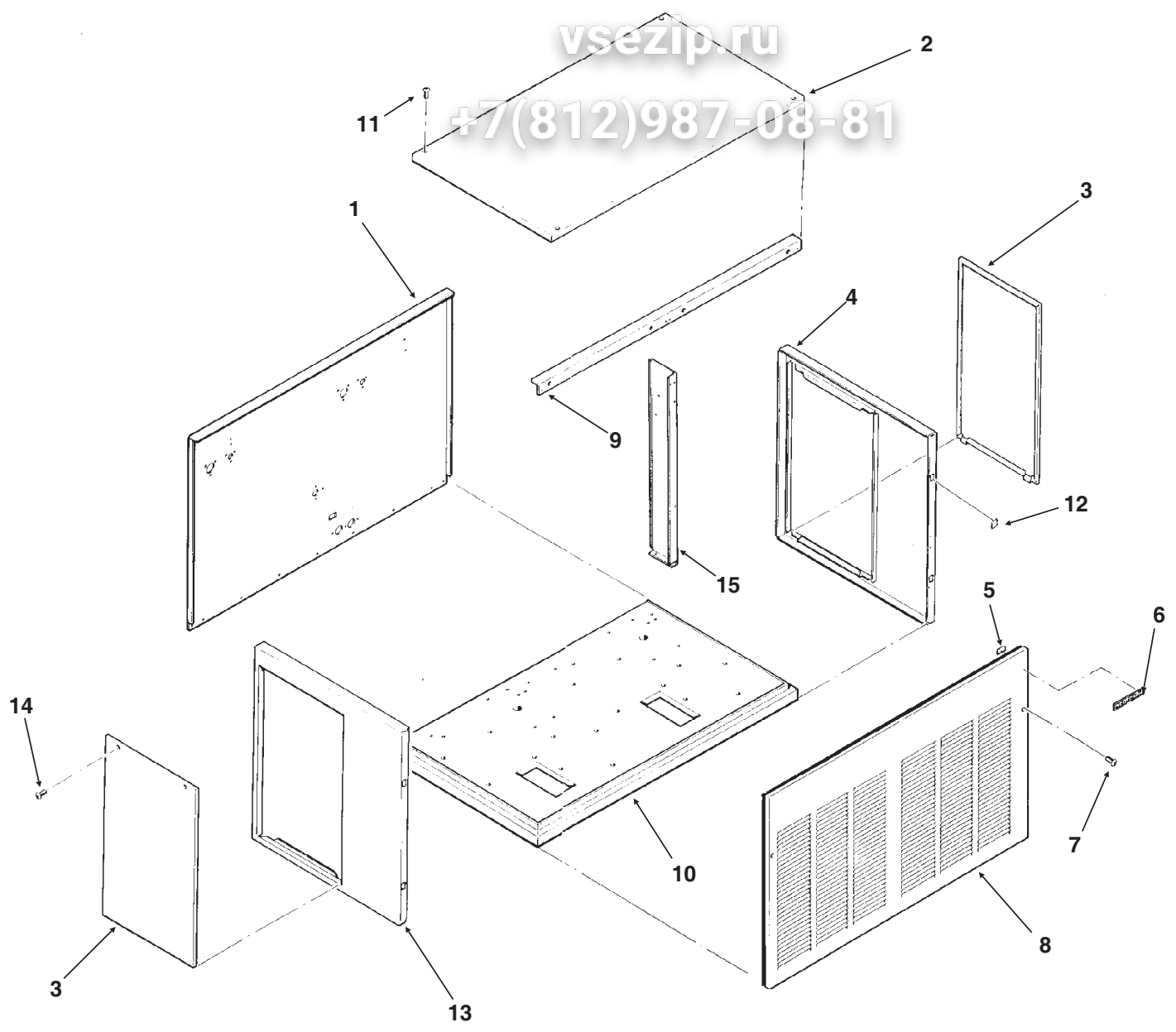
Cabinet Assembly	Page 2
Water System.....	Page 3
Refrigeration System.....	Page 4
Evaporator, FM/FME units	Page 5
Evaporator, NM/NME units	Page 6
Gearmotor	Page 7
Control Box	Page 8
Wiring Diagrams	Page 9

AutoSentry Double System RL SERVICE PARTS

Здесь общепит

vsezip.ru

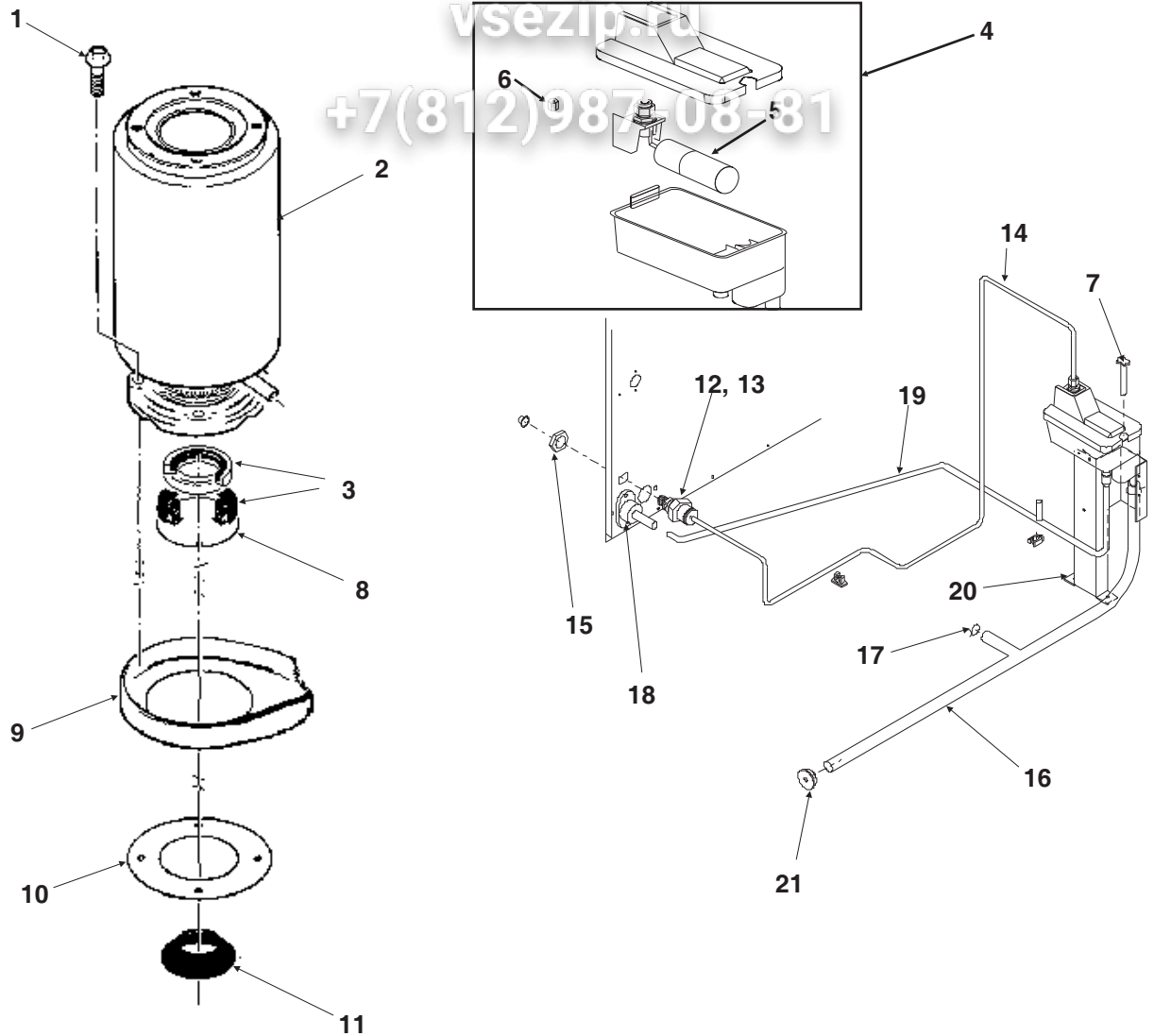
+7(812)987-08-81



ITEM NUMBER	PART NUMBER	DESCRIPTION	ITEM NUMBER	PART NUMBER	DESCRIPTION
1	A34283-002	Back panel	8	A34294-002	Front Panel, S.S.
2	A32461-002	Top Panel, S.S.	9	A34287-015	Support
3	A34038-002	Service Panel, S.S.	10	A35593-001	Base
4	A33292-002	Right Side Panel, S.S.	11	03-1531-01	Screw
5	03-0271-00	Speed Clip	12	02-0836-00	Catch
6	15-0808-03	Emblem, grey	13	A32435-002	Left Side Panel, S.S.
7	03-1419-22	Screw	14	03-1404-12	Screw
			15.	A34286-001	Center Support

AutoSentry Double System RL SERVICE PARTS

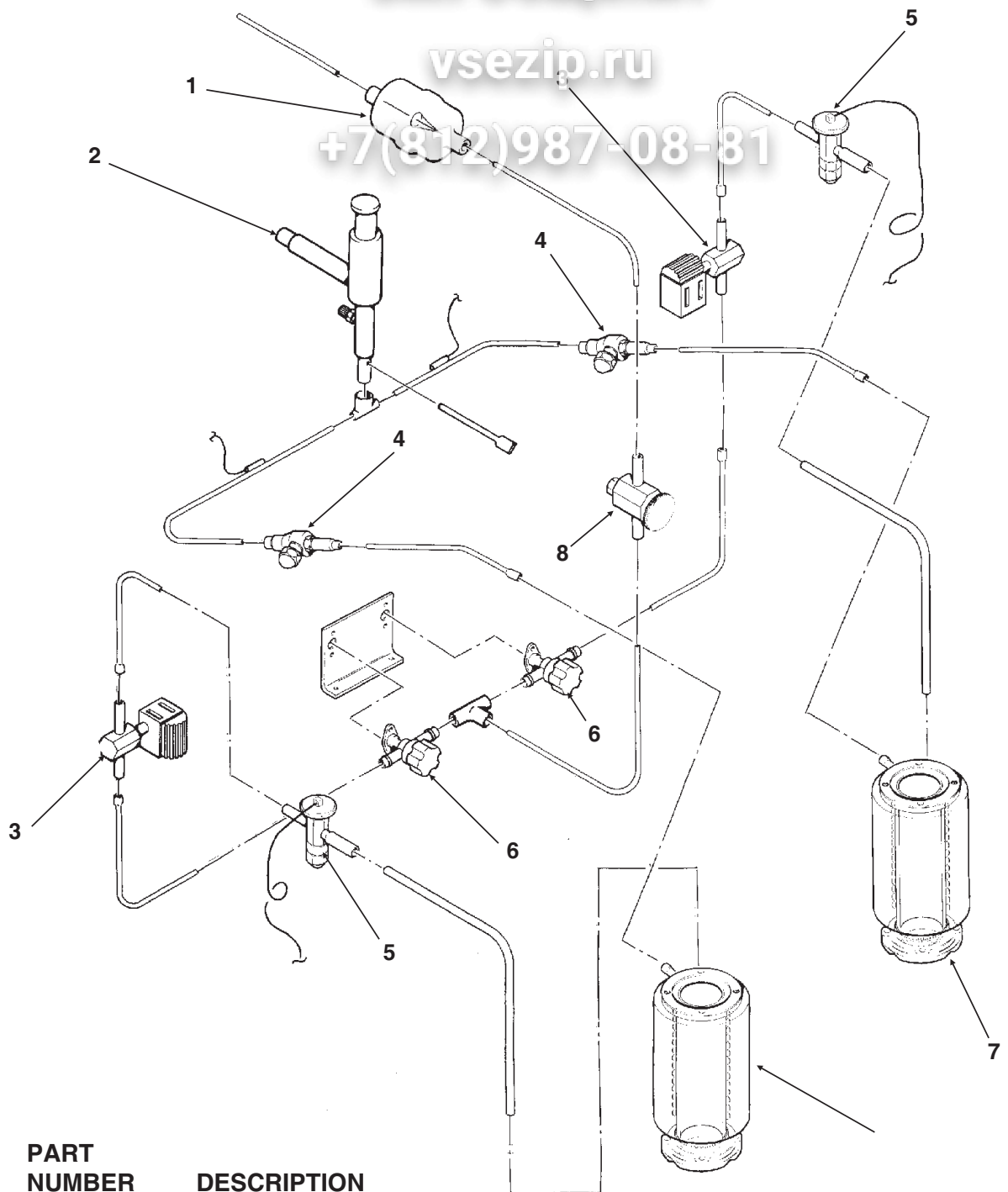
Water System



ITEM NUMBER	PART NUMBER	DESCRIPTION	ITEM NUMBER	PART NUMBER	DESCRIPTION
1	03-1405-41	Cap Screw	15	03-1394-01	Pal Nut
2	A32890-020	Evaporator	16	A36154-001	Evap. water inlet tube
3	02-0929-23	Water Seal	17	02-1338-00	Hose clamp
4	02-3266-01	Reservoir & valve	18	02-3692-22	Drain fitting
5	02-3266-02	Float valve	19	02-3826-01	Res. overflow hose (rt)
6	02-3266-03	Plunger/seal		02-3826-02	Res. overflow hose (left)
7	12-2760-21	Water Level Sensor	20	A36078-002	Reservoir bracket
8	A32777-001	Retaining Ring for Seal	21	13-0840-01	Rubber cap
9	02-3837-01	Drip Pan			
10	13-0704-00	Gasket			
11	13-0868-01	Water Shed			
12	16-0835-01	Inlet fitting for plastic tubing			
13	16-1039-01	Male connector			
14	13-0895-01	Inlet tubing, 4 ft. req.			

AutoSentry Double System RL SERVICE PARTS

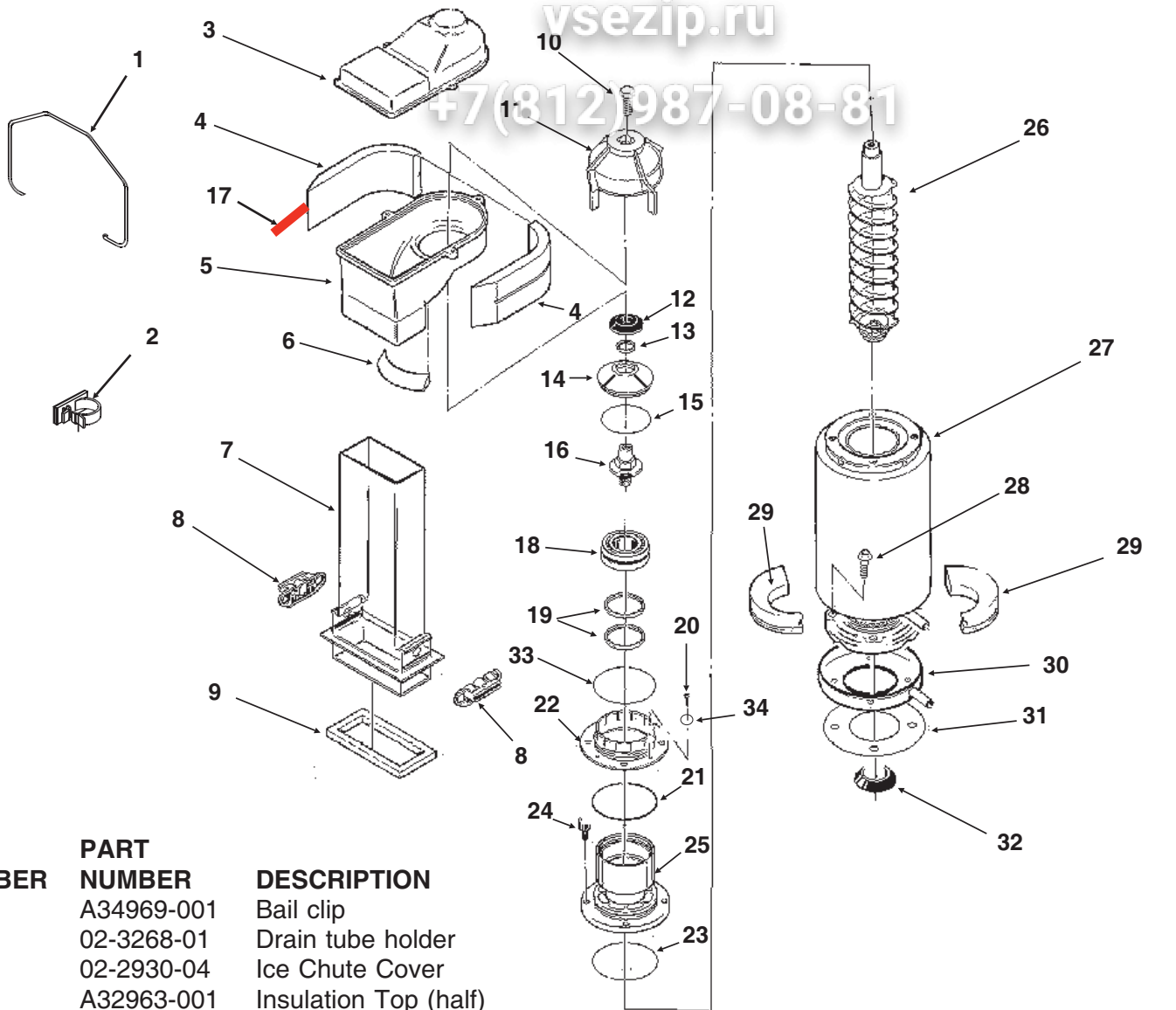
Refrigeration System



ITEM NUMBER	PART NUMBER	DESCRIPTION
1	02-3319-03	Dryer
2	A32859-001	EPR Valve (used on FME2404, NME1854, FME3004 and NME2504)
	A32859-002	EPR Valve (used on FM2402, FM3002, NM1852 and NM2502)
3	12-2135-02	Solenoid Valve
4	11-0548-01	Ball Valve
5	11-0488-21	R-404A Thermostatic Expansion Valve (used on FME2404 and NME1854)
	16-0825-21	R-22 Thermostatic Expansion Valve (used on FM2402 and NM1852)
	11-0482-21	R-404A TXV use on FME3004 and NME2504
6	11-0548-01	Ball valve
7	A32890-020	Evaporator
8	16-0762-02	Sight Glass

AutoSentry Double System RL SERVICE PARTS

FM/FME Evaporator, Chute, Bin Controls



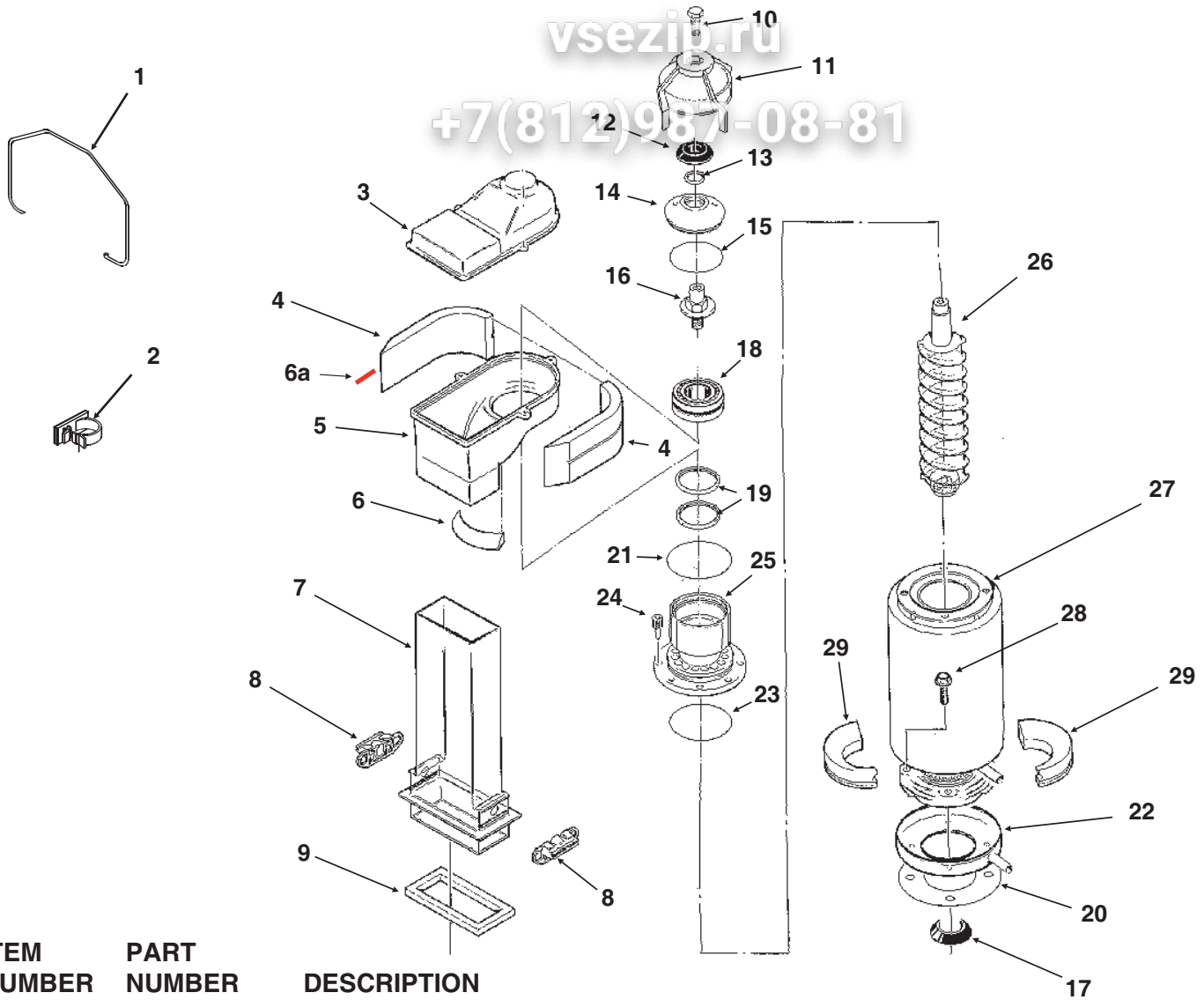
ITEM NUMBER	PART NUMBER	DESCRIPTION
1.	A34969-001	Bail clip
2.	02-3268-01	Drain tube holder
3.	02-2930-04	Ice Chute Cover
4.	A32963-001	Insulation Top (half)
5.	02-3841-01	Ice Chute Body w/ins
6.	A33102-001	Insulation Collar Inside
7.	02-2929-04	Ice Chute Lower
8.	A37708-021	Bin Controls Assy. (set of 2)
9.	A32930-001	Chute Gasket
10.	03-1405-52	Hex Cap Screw
11.	02-3001-01	Ice Sweep
12.	13-0871-01	Water Shed
13.	02-2978-01	Lip Seal
14.	02-3128-20	Breaker Cover
15.	13-0617-54	O-Ring
16.	08-0660-01	Auger Stud, thrust washer
17.	A35419-020	Strap kit
18.	A34559-020	Bearing
19.	02-2977-01	Lip Seal
20.	03-1403-27	Screw
		21. 13-0617-52 O-Ring
		22. 02-2916-01 Slotted Collar
		23. 13-0617-45 O-Ring
		24. 03-1544-08 Soc. Head Screw
		25. A34505-020 Breaker (Divider) (includes 18 & 19)
		26. A38071-022 Auger
		27. A32890-020 Evaporator
		28. 03-1420-03 Cap Screw
		29. A32962-001 Insulation Bot. (half)
		30. 02-3837-01 Drip Pan
		31. 13-0704-00 Drip Pan Gasket
		32. 13-0868-01 Water Shed
		33. 13-0617-49 O-Ring
		34. 03-1408-36 Washer

AutoSentry Double System RL SERVICE PARTS

311E 06 01 011T

vsezip.ru

+7(812)987-08-81



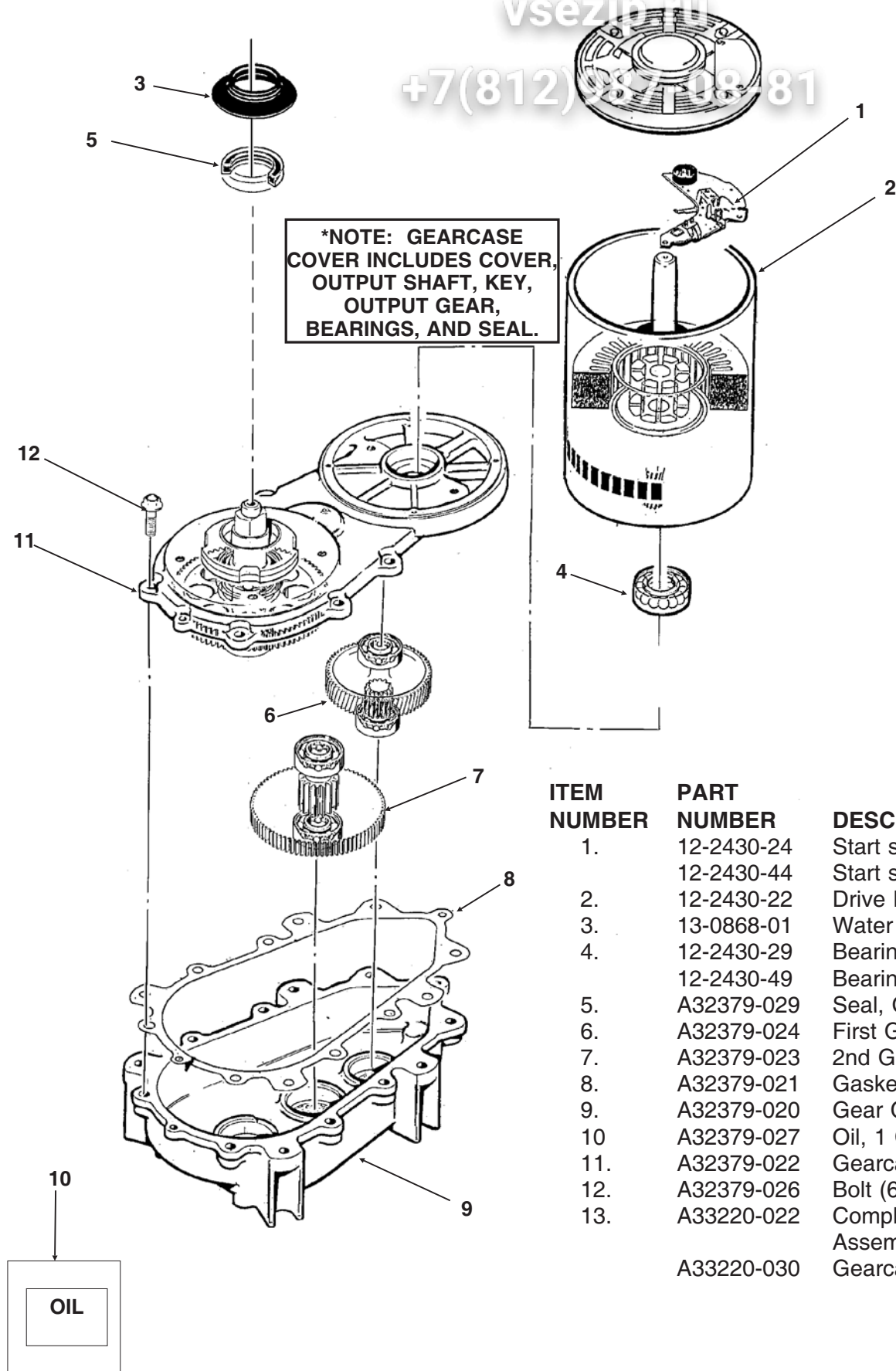
ITEM NUMBER	PART NUMBER	DESCRIPTION
1.	A34969-001	Bail clip
2.	02-3268-01	Drain tube holder
3.	02-2930-04	Ice Chute Cover
4.	A32963-001	Insulation Top (half)
5.	02-3841-01	Ice Chute body w/ins
6.	A33102-001	Insulation Collar Inside
6a	A35419-020	Strap kit
7.	02-2929-04	Ice Chute Lower
8.	A37708-021	Bin Controls Assy. (set of 2)
9.	A32930-001	Chute Gasket
10.	03-1405-52	Hex Cap Screw
11.	02-3001-01	Ice Sweep
12.	13-0871-01	Water Shed
13.	02-2978-01	Lip Seal
14.	02-3128-20	Breaker Cover
15.	13-0617-52	O-Ring
16.	08-0660-01	Auger Stud & washer
17.	13-0868-01	Water Shed
18.	A34559-020	Bearing
19.	02-2977-01	Lip Seal
20.	13-0704-00	Drip Pan Gasket
21.	13-0617-54	O-Ring
22.	02-3826-01	Drip Pan
23.	13-0617-45	O-Ring
24.	03-1544-08	Soc. Head Screw
25.	A32900-020	Breaker (includes 18 & 19)
26.	A38071-022	Auger
27.	A32890-020	Evaporator
28.	03-1420-03	Cap Screw
29.	A32962-001	Insulation Bot. (half)

AutoSentry Double System RL SERVICE PARTS

Запчасти

vsezip.ru

+7(812) 337-08-81



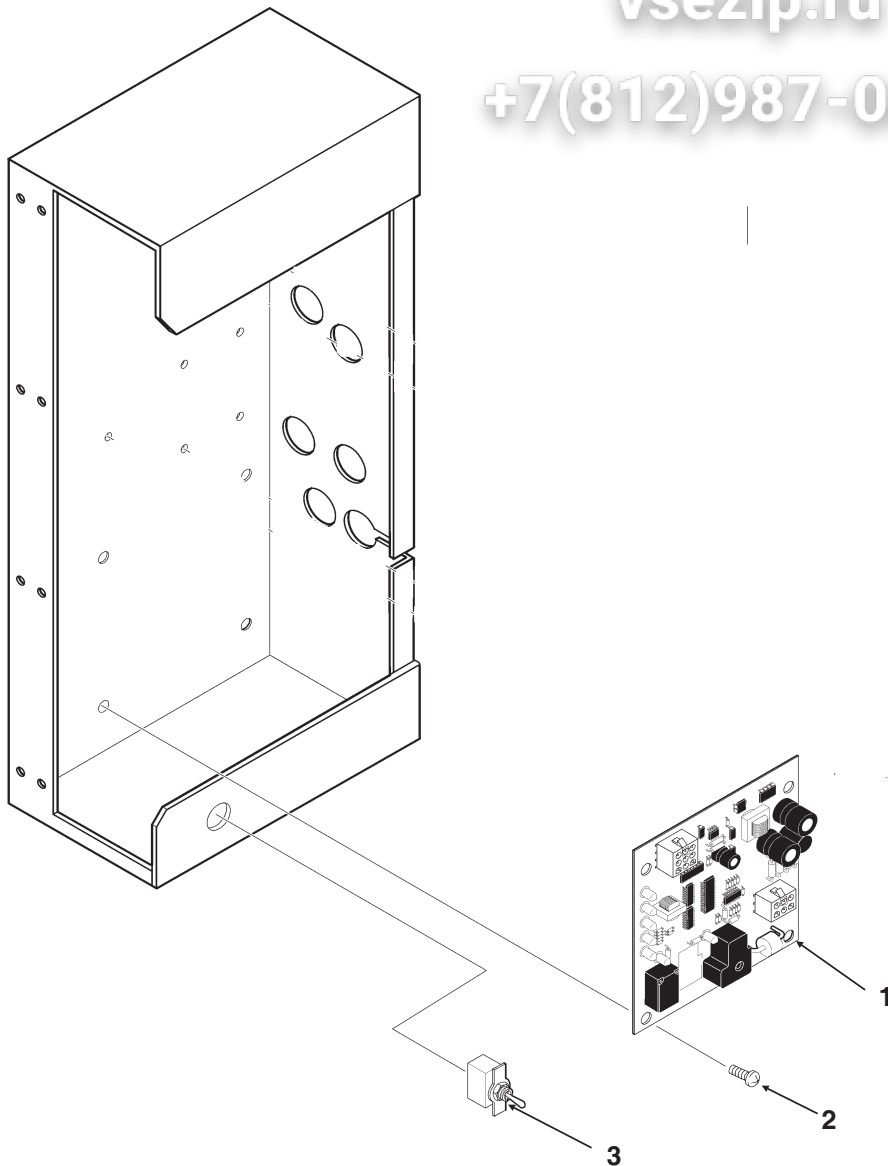
ITEM NUMBER	PART NUMBER	DESCRIPTION
1.	12-2430-24	Start switch, Emerson
	12-2430-44	Start switch, GE / Regal Bel
2.	12-2430-22	Drive Motor 208-230 v
3.	13-0868-01	Water Shed.
4.	12-2430-29	Bearing - Emerson
	12-2430-49	Bearing - GE / Regal Beloit
5.	A32379-029	Seal, Output
6.	A32379-024	First Gear & Bearing
7.	A32379-023	2nd Gear & Bearing
8.	A32379-021	Gasket
9.	A32379-020	Gear Case
10.	A32379-027	Oil, 1 Container
11.	A32379-022	Gearcase Cover*
12.	A32379-026	Bolt (6)
13.	A33220-022	Complete Gearmotor Assembly. 208-230 v.
	A33220-030	Gearcase kit, no motor

AutoSentry Double System RL SERVICE PARTS

СитиОбщепит

vsezip.ru

+7(812)987-08-81



ITEM NUMBER	PART NUMBER	DESCRIPTION
1	12-2835-22	Circuit Board
2	12-2350-01	Stand off
3	12-0426-01	Mode Switch
Not Illustrated:		
4	12-0813-04	Terminal Strip
5	A34055-001	Control Box Cover

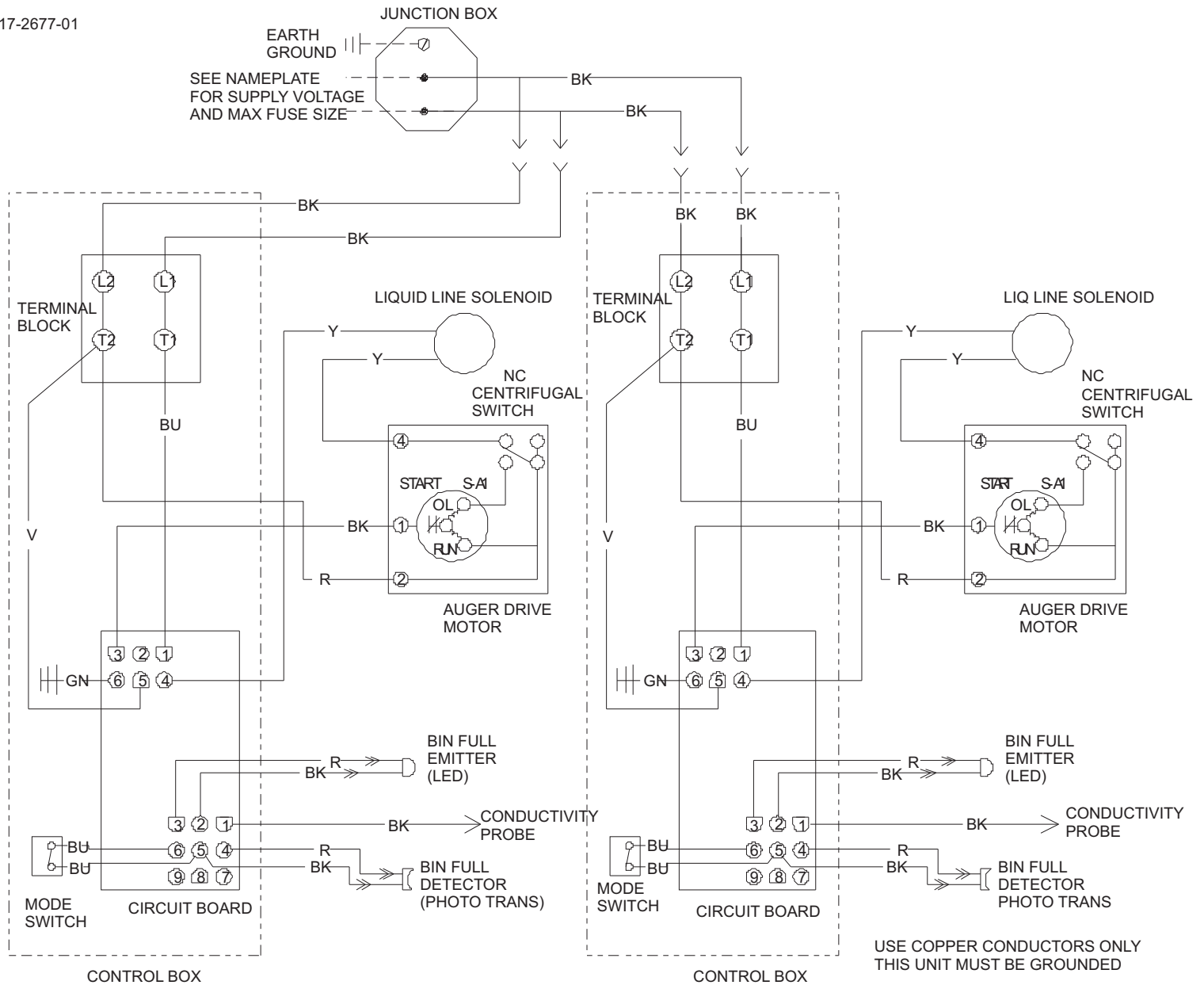
AutoSentry Double System RL SERVICE PARTS

Вити 0611.ЕПІТ

vsezip.ru

+7(812)987-08-81

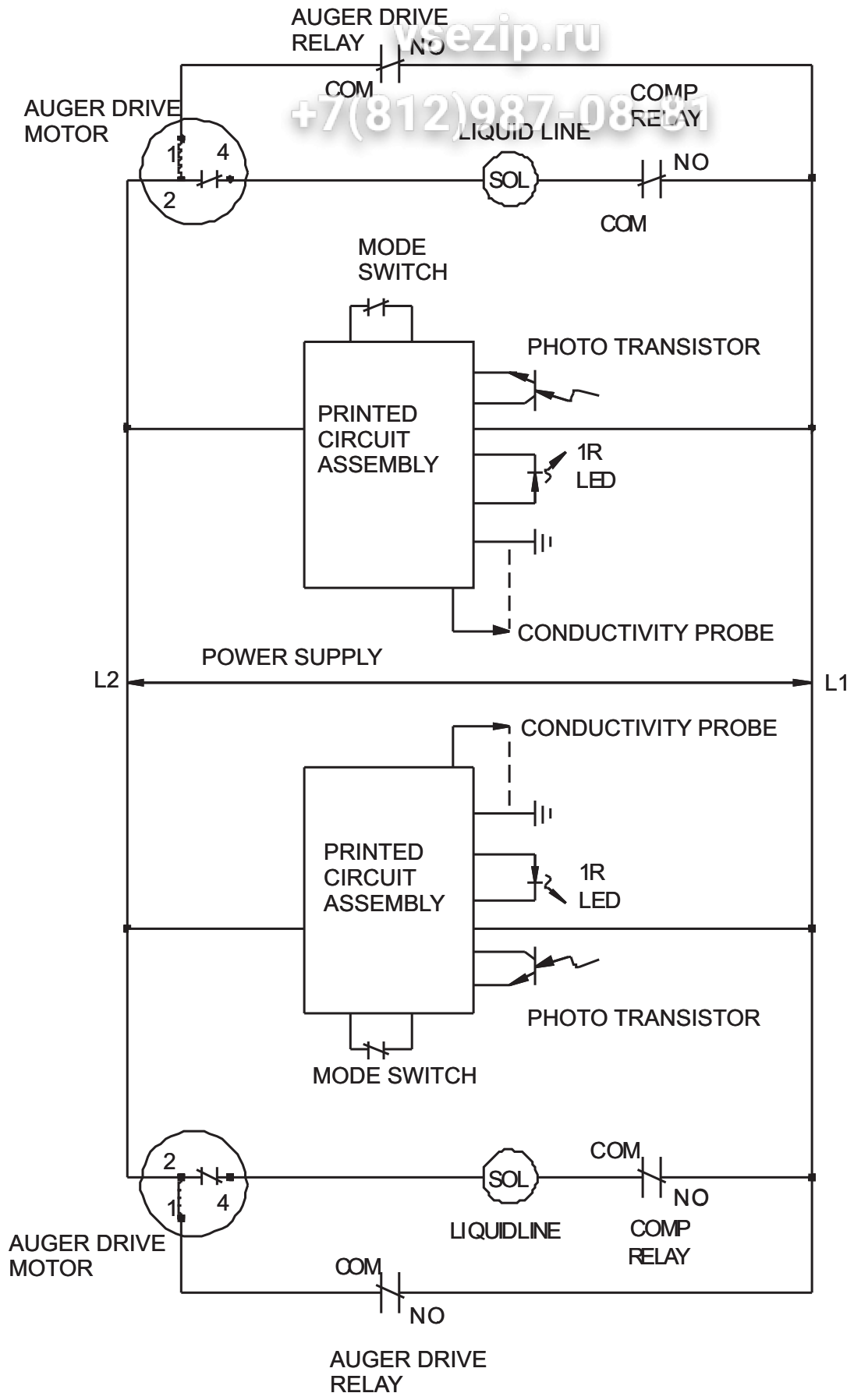
17-2677-01



ALL CONTROLS SHOWN
IN ICE MAKING MODE

AutoSentry Double System RL SERVICE PARTS

Schematic Diagram



SCOTSMAN®

Зип Общепит
Bulletin Number: PS-14-96

Bulletin Date: September 1996
vsezip.ru

+7(812)987-08-81

SERVICE BULLETIN

Subject: NME, FME, NSE, NDE and TDE550/650 Top Bearing Lubrication

Two parts have been made available as helpful aids to use when lubricating the top bearing.

1. **02-3559-01** is a needle that snaps onto a standard grease gun fitting. Use it to insert and deeply pack the proper lubricant into the top bearing.
2. **A36808-001** is a tube of the proper lubricant, also designed to fit a standard grease gun.

Both numbers are in the parts price list.

Needle, shown inserted into bearing

