

Зип Общепит

vsezip.ru  
**SCOTSMAN**  
+7(812)987-08-81  
®

**ELECTRONIC  
FLAKERS**

**AF 80**

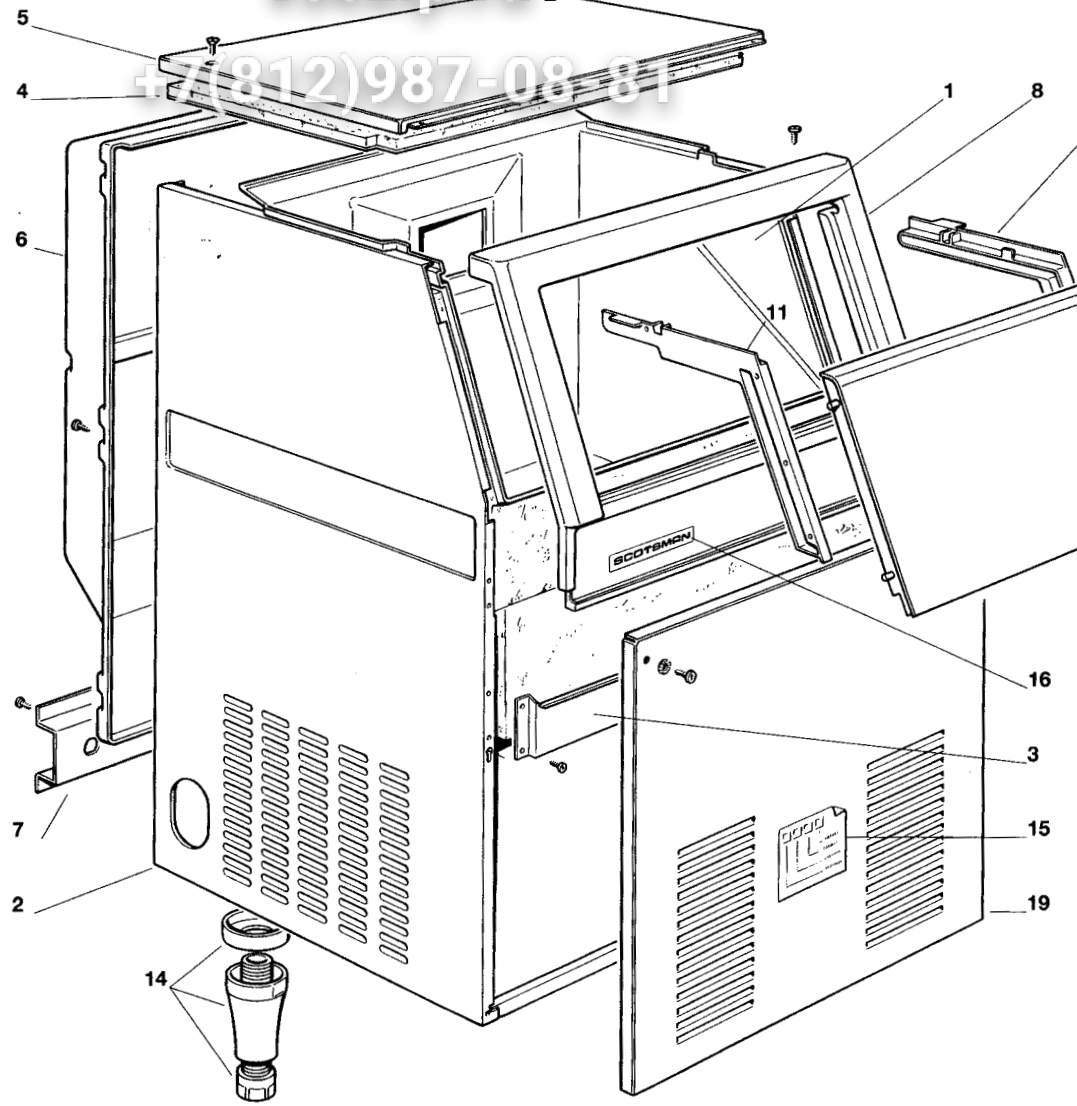
**SPARE PARTS LIST  
CATALOGO RICAMBI  
CATALOGUE PIÈCES DÉTACHÉES  
ERSATZTEILENKATALOG**

PAGE PAGINA PAGE SEITE	TABLE OF CONTENTS	INDICE	TABLE DES MATIÈRES
1	TABLE OF CONTENTS	INDICE	TABLE DES MATIÈRES
2-3	UNIT PANELS	ASSIEME MOBILE	ENS. CARROSSERIE
4-5	REFRIGERANT SYSTEM AIR COOLED	SISTEMA REFRIGERANTE RAFFR. AD ARIA	CIRCUIT FRIGORIFIQUE REFROID. A AIR
6-7	REFRIGERANT SYSTEM WATER COOLED	SISTEMA REFRIGERANTE RAFFR. AD ACQUA	CIRCUIT FRIGORIFIQUE REFROID. A EAU
8-9	WATER SYSTEM AND INSULATIONS	CIRCUITO IDRAULICO ED ISOLAMENTI	CIRCUIT HYDRAULIQUE ET INSULATIONS
10-11	FREEZER AND GEAR REDUCER ASSY	ASSIEME FREEZER E RIDUTTORE	ENS. FREEZER ET MOTOREDUCTEUR
12-13	P.C. BOARD AND SENSORS ASSY	SCHEMA ELETTRONICA E SENSORI	ENS. CARTE ELECTRONIQUE ET DETECTEURS
14	COMPRESSOR AND ELECTRIC COMPONENT CHARTS	TABELLA COMPRESSORI E COMPONENTI ELETTRICI	LISTE DES COMPRESSEURS ET COMPOSANTS ELECTRIQUE

Зип-Общепит

vsezip.ru

+7(812)987-08-81



Зип Общепит

AF 80 - UNIT PANELS - ASSIEME MOBILE - ENS. CARROSSERIE - MACHINE GE

vsezip.ru

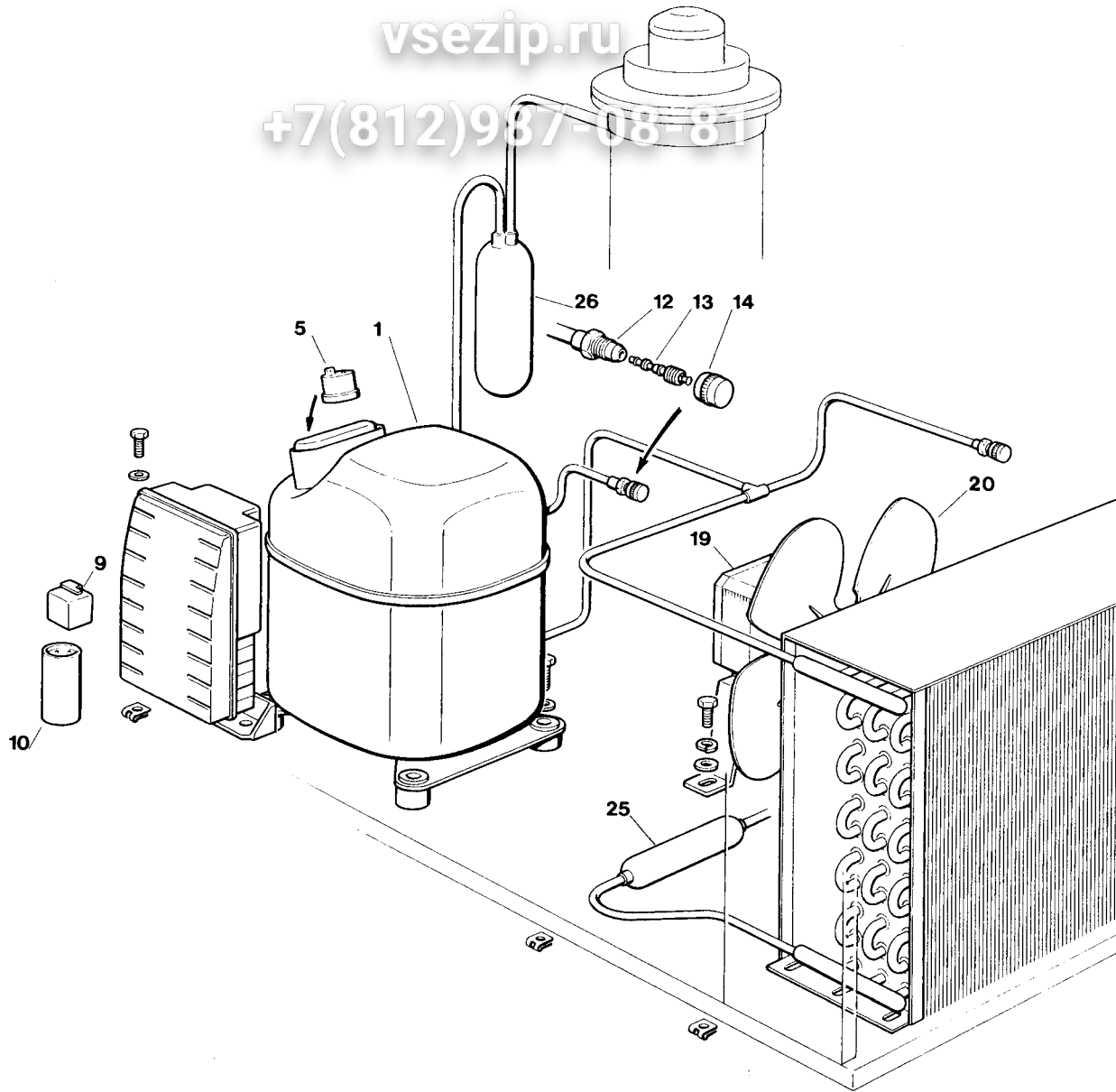
+7(812)987-08-81

ITEM NO POS NO REP. NO REF. NO	PART NO CODICE REFERENCE STUECK NR	DESCRIPTION	DESCRIZIONE	DESIGNATION
1	792040 00R	INSULATED STORAGE BIN	ASSIEME CELLA ISOLATA	CABINE DE STOCKAGE ISOL
2	791061 05 721712 00 721713 00	UNIT BASE LEFT SIDE PANEL RIGHT SIDE PANEL	BASAMENTO PANNELLO LAT. SX PANNELLO LAT. DX	BASEMENT PANNEAU GAUCHE PANNEAU DROITE
3	702254 00	METAL BRACKET	SUPPORTO IN METALLO	SUPPORT METALLIQUE
4	794301 01R	UPPER INSULATION	ISOLAMENTO SUPERIORE	ISOLATION SUPERIEUR
5	721715 00	TOP PANEL S.S.	PANNELLO SUPERIORE ACC. INOX	PANNEAU SUPERIEURE ACI
6	660668 00	REAR PANEL	PANNELLO POSTERIORE	PANNEAU ARRIERE
7	702248 00	METAL BRACKET FOR FITTINGS	SUPPORTO ATTACCHI	SUPPORT DE RACC.
8	660641 00 721669 01	BIN DOOR FRAME ASSY S.S. FRONT PLATE	ASSIEME CORNICE SPORTELLO FRONTALINO ACC. INOX	ENS. ENCADREMENT PORTE BANDE ENTRETOISE ACIER
10	660523 00	RIGHT BIN DOOR GUIDE	GUIDA SPORTELLO DESTRA	GLISSIER DE PORTE DROITE
11	660523 01	LEFT BIN DOOR GUIDE	GUIDA SPORTELLO SINISTRA	GLISSIER DE PORTE GAUCH
12	660642 00	BIN DOOR ASSY	SPORTELLO CPL	ENS. PORTE CABINE
13	660286 00	DOOR RUNNER - BUSHING	BUSSOLE DI SCORRIMENTO	BAGUE DE COULISSAGE PO
14	650670 00	KIT LEG + LEG LEVELLER (4 PCS)	KIT PIEDINO + VITE DI REGOLAZIONE (4 PZ.)	KIT PIED + VIS DE REGLAGE DES PI
15	650624 13	LABEL	ADESIVO SEGNALETICO	ETIQUETTE
16	660614 00	SCOTSMAN LOGO	EMBLEMA SCOTSMAN	EMBLÈME SCOTSMAN
19	721714 01	FRONT PANEL S.S.	PANNELLO FRONTALE ACCIAIO INOX	PANNEAU AVANT ACIER INO

Зип-Общепит

vsezip.ru

+7(812)987-08-81



Зип-Общепит

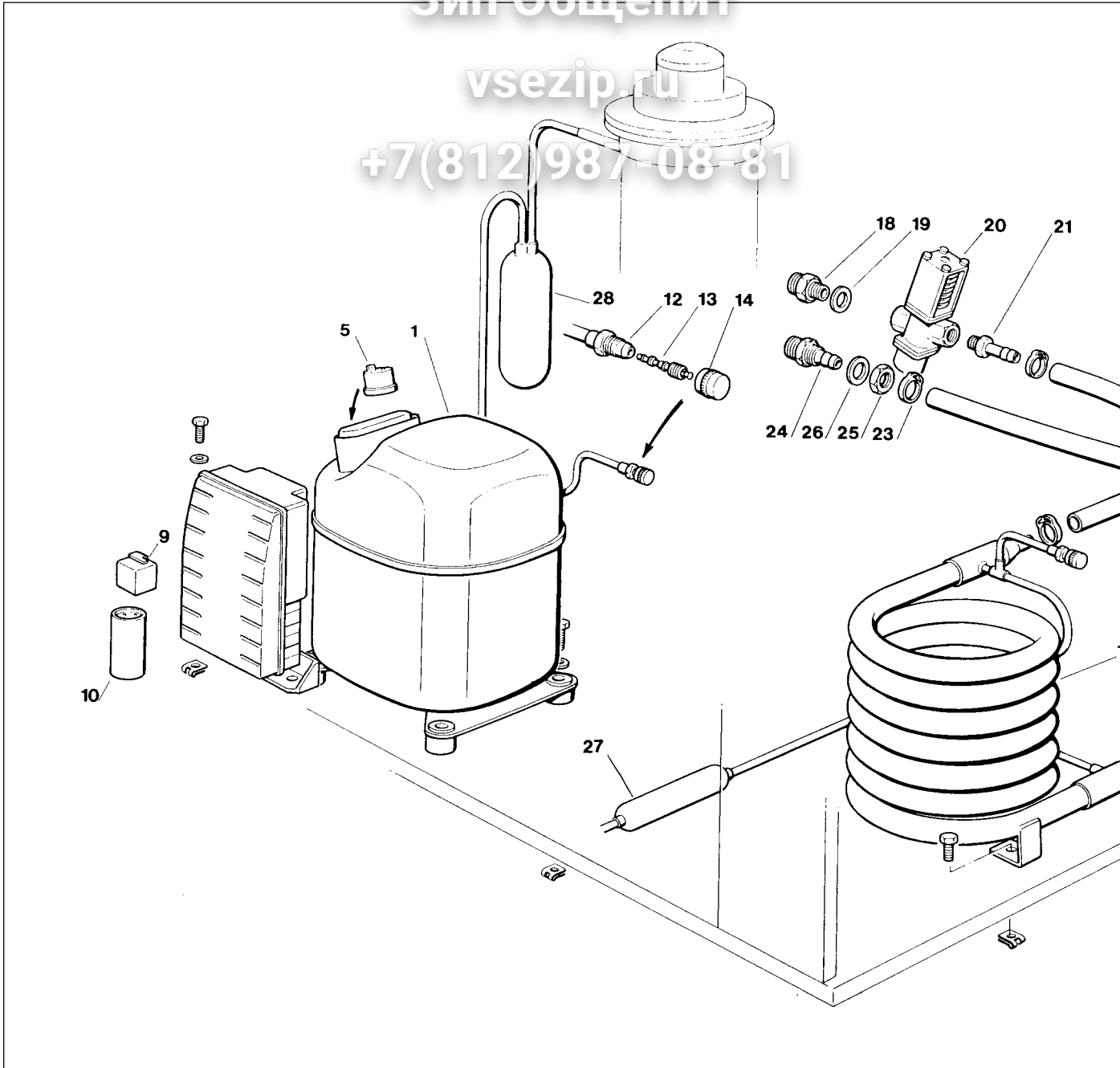
AF 80 - REFRIGERANT SYSTEM AIR COOLED - SISTEMA REFRIGERANTE RAFFREDDAMENTO  
 CIRCUIT FRIGORIFIQUE REFROID. PAR AIR - LUFTGEKÜHLTE GEFRIERSYSTEM

ITEM NO POS NO REP. NO REF. NO	PART NO CODICE REFERENCE STUECK NR	DESCRIPTION	DESCRIZIONE	DESIGNATION
1	670100 00	COMPRESSOR ASSY	ASSEMBL. COMPRESSORE	ENSAMBLE COMPRESSEUR
5	620058 69	PROTECTOR	PROTETTORE	PROTECTEUR
9	620057 31	START RELAY	RELE DI AVVIAMENTO	RELAIS DE DEMARRAGE
10	620167 29	START CAPACITOR	CAPACITA D'AVVIAMENTO	CAPACITÉ DE DEMARRAGE
12	650109 00	VALVE BODY	CORPO VALVOLA	CORPS DE VANNE
13	670012 00	VALVE PISTON	PISTONCINO VALVOLA	PISTON
14	650106 00	VALVE CAP	CAPPUCCIO VALVOLA	CAPUCHON DE VANNE
15	620420 00	AIR COOLED CONDENSER	CONDENSATORE AD ARIA	CONDENSEUR A AIR
19	620419 02 620419 61	FAN MOTOR FAN MOTOR BRACKET	MOTORE VENTILATORE STAFFA MOTORE	MOTEUR VENTILATEUR SUPPORT MOTEUR
20	620419 32	FAN BLADE	VENTOLA	HELICE
25	630003 05	DRIER	FILTRO DEUMIDIFICATORE	FILTRE DESHYDRATEUR
26	784469 10	SUCTION LINE/ACCUMULATOR	ACCUMUL. E LINEA ASPIRAZIONE	ENS. ASPIRATION/ACCUMUL

Зип-Общепит

vsezip.ru

+7(812)987-08-81



AF 80 - REFRIGERANT SYSTEM WATER COOLED - SISTEMA REFRIGERANTE RAFFREDDAMENTO A C

CIRCUIT FRIGORIFIQUE REFROID. PAR EAU - WASSERGEKÜHLTE GEFRIERSYSTEM

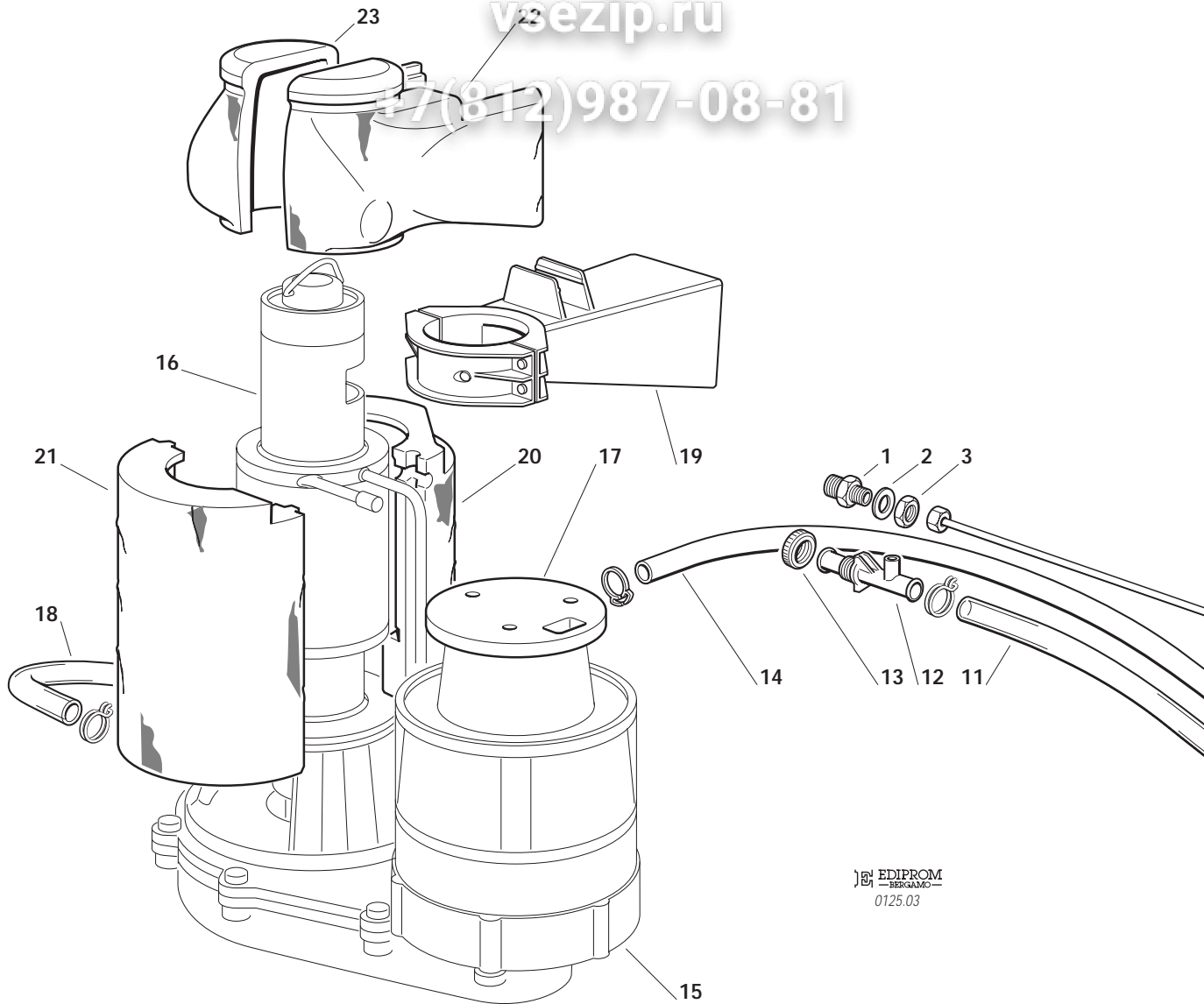
ITEM NO POS NO REP. NO REF. NO	PART NO CODICE REFERENCE STUECK NR	DESCRIPTION	DESCRIZIONE	DESIGNATION
1	670100 00	COMPRESSOR ASSEMBLY	ASSEMBLE COMPRESORE	ENSAMBLE COMPRESSEUR
5	620058 69	PROTECTOR	PROTETTORE	PROTECTEUR
9	620057 31	START RELAY	RELE DI AVVIAMENTO	RELAIS DE DEMARRAGE
10	620167 29	START CAPACITOR	CAPACITA D'AVVIAMENTO	CAPACITÉ DE DEMARRAGE
12	650109 00	VALVE BODY	CORPO VALVOLA	CORPS DE VANNE
13	670012 00	VALVE PISTON	PISTONCINO VALVOLA	PISTON
14	650106 00	VALVE CAP	CAPPUCCIO VALVOLA	CAPUCHON DE VANNE
15	620389 00	WATER COOLED CONDENSER	CONDENSATORE AD ACQUA	CONDENSEUR A EAU
18	733204 00	WATER INLET FITTING	RACCORDO INGRESSO ACQUA	RACCORD ARRIVÉE D'EAU
19	400031 01	FIBER WASHER	RONDELLA IN FIBRA	RONDELLE EN FIBRE
20	620111 00	WATER REGULATING VALVE	VALVOLA PRESSOSTATICA	VANNE A EAU PRESSOSTATICA
21	733173 00	OUTLET VALVE FITTING	RACCORDO USCITA VALVOLA PRESS.	RACCORD SORTIE VALVE PRESS.
22	281900 03	PLASTIC TUBE-PER METER	TUBO IN PLASTICA-PER METRO	TUYAU EN PLASTIQUE-POUR METER
24	733174 00	WATER DRAIN FITTING	RACCORDO SCARICO ACQUA	RACCORD ÉVACUATION EAU
25	400076 00	NUT	DADO	ECROU
26	400031 00	FIBER WASHER	RONDELLA IN FIBRA	RONDELLE EN FIBRE
27	630003 05	DRIER	FILTRO DEUMIDIFICATORE	FILTRE DESHYDRATEUR
28	784469 10	SUCTION LINE/ACCUMULATOR	ACCUMUL. E LINEA ASPIRAZIONE	ENS. ASPIRATION/ACCUMULATEUR



Зип-Общепит

vsezip.ru

77(812)987-08-81



EDIPROM  
0125.03

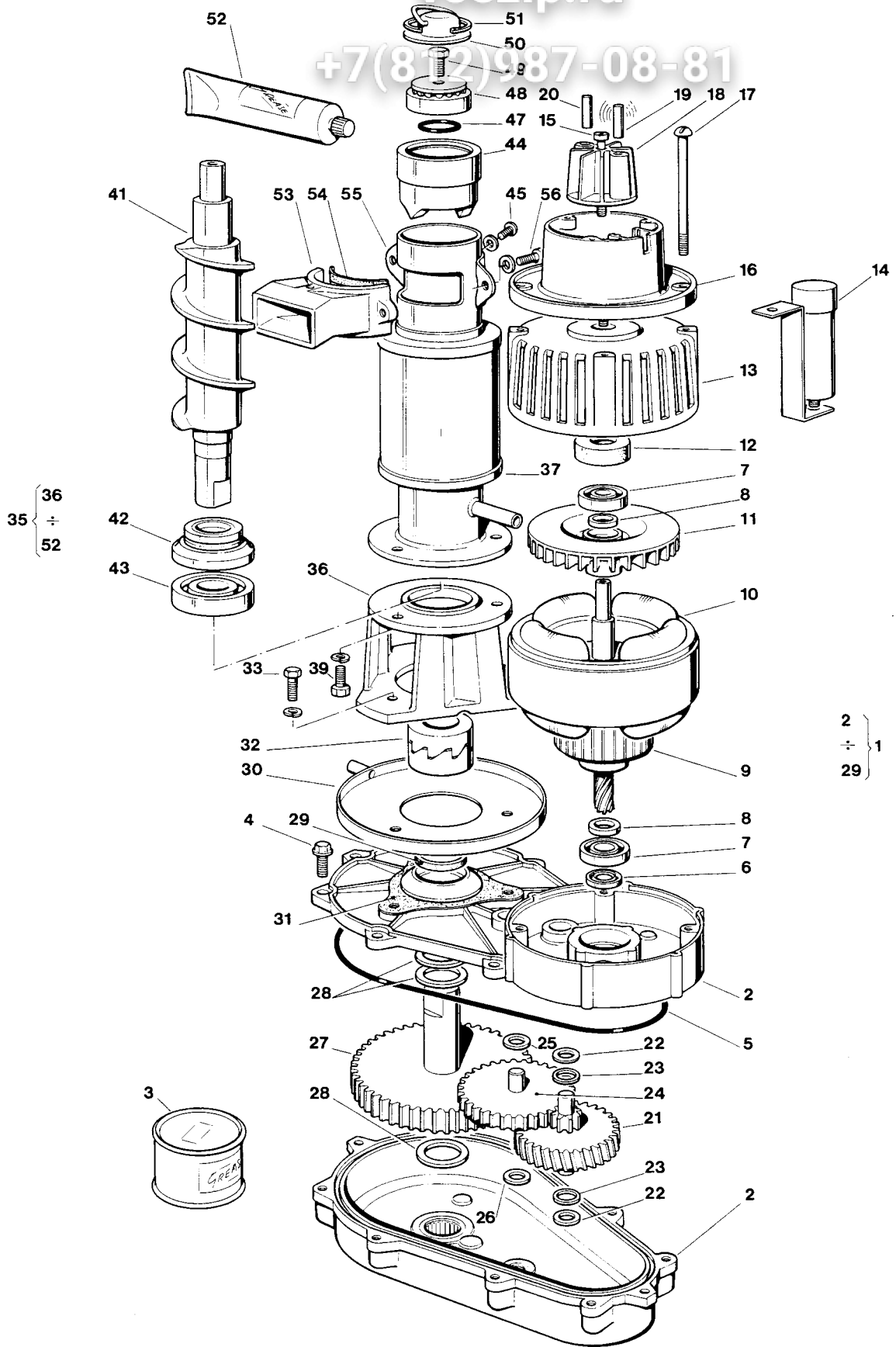
3ип Общепит  
vsezip.ru  
7(812)987-08-81

**AF 80 - WATER SYSTEM AND INSULATIONS - CIRCUITO IDRAULICO ED ISOLAZIONE**  
**CIRCUIT HYDRAULIQUE ET ISOLATIONS - WASSERKREISLAUF UND ISOLIERUNG**

ITEM NO POS NO REP. NO REF. NO	PART NO CODICE REFERENCE STUECK NR	DESCRIPTION	DESCRIZIONE	DESIGNATION
1	733205 00	WATER INLET FITTING	RACCORDO INGRESSO ACQUA	RACCORD ARRIVEE D'EAU
2	400052 00	FIBER WASHER	RONDELLA IN FIBRA	RONDELLE EN FIBRE
3	400053 01	NUT	DADO	ECROU
4	793126 01	WATER RESERVOIR ASSY	ASS. VASCHETTA GALLEGGIANTE	ENS. RÉSERVOIR
5	660363 00	WATER RESERVOIR COVER	COPERCHIO VACHETTA	COUVERCLE
6	724215 06	WATER LEVEL METAL PIN	PERNO SENSORE LIVELLO ACQUA	DETECTEUR NIVEAU EAU
7	660585 00	FLOAT VALVE ASSY	ASS. GALLEGGIANTE	ENS. VANNE A FLOTTEUR
8	783153 00	NOZZLE	UGELLO	GICLEUR
9	460038 02	CLIP RING	ANELLO SEEGER	CIRCLIP
10	640100 00	O RING	GUARNIZIONE OR	JOINT TORIQUE
11	281832 00	PLASTIC TUBE - PER MTR	TUBO IN PLASTICA - PER METRO	TUYAU EN PLASTIQUE - POUR
12	660224 00	WATER DRAIN FITTING	RACCORDO SCARICO ACQUA	RACCORD EVACUATION EAU
13	660535 00	PLASTIC RING NUT	GHIERA IN PLASTICA	COLLIER DE SERRAGE EN PLA
14	281222 00	PLASTIC TUBE - PER MTR	TUBO IN PLASTICA - PER METRO	TUYAU EN PLASTIQUE - POUR
15	794225 13R	GEAR REDUCER ASSY	ASS. MOTORIDUTTORE	ENS .MOTOREDUCTEUR
16	794302 00R	FREEZER ASSY	ASS. FREEZER	ENS. FREEZER
17	650515 02	GEAR MOTOR PLASTIC COVER	PROTEZIONE MOTORE	PROTECTION MOTEUR
18	610163 02	PLASTIC TUBE	TUBO IN PLASTICA	TUYAU EN PLASTIQUE
19	794339 06R	S.S. ICE SPOUT	BOCCHETTA SCARICO GHIACCIO	BEC VERSEUR
20-21	060551 03	INSULATION	ISOLAMENTO	ISOLATION
22-23	660133 00	SPOUT INSULATION	ISOLAMENTO BOCC.	ISOLATION BEC VERSEUR

vsezip.ru

+7(812)987-08-81



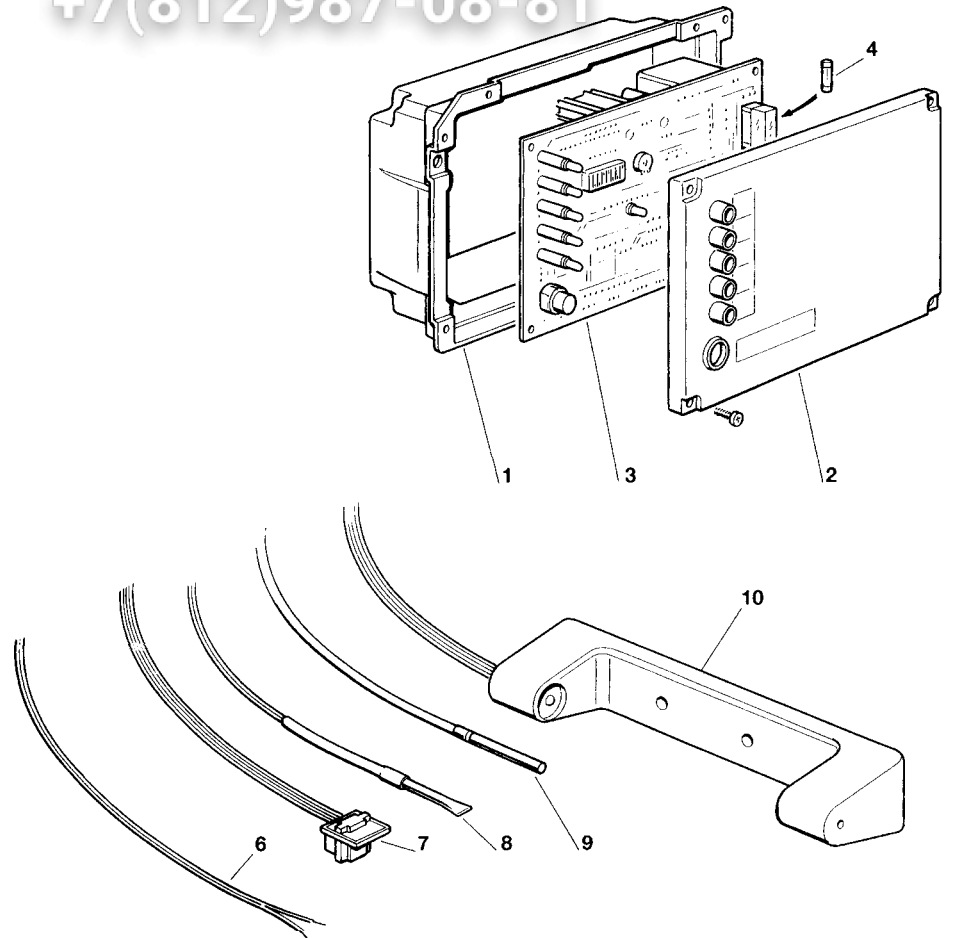
**AF 80 - FREEZER AND GEAR REDUCER ASSY - ASSIEME FREEZER E RIDUTTORE  
ENS. FREEZER ET MOTOREDUCTEUR - GEFRIERZYLINDER UND GETRIEBEEINHEIT**

ITEM NO POS NO REF. NO	PART NO CODICE REFERENCE STUECK NR	DESCRIPTION	DESCRIZIONE	DESIGNATION	BESCHREIBUNG
1	794225 13 R	GEAR REDUCER ASSY	ASS. RIDUTTORE	ENS. MOTOREDUCTEUR	GETRIEBEMOTOR CPL
2	001015 01	GEAR CASE ASSY	ASS. SCATOLA INGRANAGGI	ENS. CARTER RÉDUCTEUR	GETRIEBEGEHAUSE CPL
3	060294 01	GREASE (1 KG)	GRASSO (1 KG)	GRAISSE (1 KG)	FETT (1 KG)
4	03 1251 01	SCREW	VITE	VIS	SCHRAUBE
5	640084 00	O RING	GUARNIZIONE OR	JOINT TORIQUE	O RING
6	640083 00	GEASE SEAL	PARAOLIO	PARAHUILE	SCHMIERDICHTUNG
7	651056 00	BEARING	CUSCINETTO	ROULEMENT	LAGER
8	441800 09	TRUST WASHER	RONDELLA DI RASAMENTO	RONDELLE	UNTERLEG SCHEIBE
9	794123 03 R	ROTOR ASSY	ASS. ROTORE	ENS. ROTOR	ROTOR EINHEIT
10	620394 00	STATOR ASSY	ASS. STATORE	ENS. STATOR	STATOREINHEIT
11	764001 00	FAN BLADE	VENTOLA	HELICE	FLÜGEL/RAD
12	640095 00	RUBBER INSERT	INSERTO IN GOMMA	BAGUE CAOUTCHOUC	GUMMI LAGER GEHAUSE
13	794226 01	DRIVE MOTOR COVER	COPERCHIO MOTORE	COUVERCLE MOTEUR	MOTOR DEKEL
14	620292 04	CAPACITOR	CONDENSATORE	CONDENSATEUR	KONDENSATOR
15	03 1403 77	SCREW	VITE	VIS	SCHAUBE
16	650515 01	PLASTIC HOUSING	ALLOGGIAMENTO IN PLASTICA	Bôte DETECTEUR EFF. HALL	KUNSTSTOFFGEHAUSE
17	423872 01	SCREW	VITE	VIS	SCHRAUBE
18-19-20	784476 00	MAGNETO HOLDER ASSY	ASS. SUPPORTO MAGNETE	ENS. SUPPORT DU MAGNETO	MAGNETHALTER CPL
21	651160 00	1SR GEAR & PINION	INGRANAGGIO IN FIBRA	ENGRANAGE EN CELERON	1 GETRIEBERAND & RITZEL
22	441800 06	TRUST WASHER	RONDELLA DI RASAMENTO	RONDELLE	UNTERLEG SCHEIBE
23	441800 05	TRUST WASHER	RONDELLA DI RASAMENTO	RONDELLE	UNTERLEG SCHEIBE
24	651161 00	2ND GEAR & PINION	INGRANAGGIO INTERMEDIO	2eme ENGRANAGE ET PIGNON	2 GETRIEBERAND & RITZEL
25	441800 08	TRUST WASHER	RONDELLA DI RASAMENTO	RONDELLE	UNTERLEG SCHEIBE
26	441800 07	TRUST WASHER	RONDELLA DI RASAMENTO	RONDELLE	UNTERLEG SCHEIBE
27	651162 01	OUTPUT GEAR & SHAFT	INGRANAGGIO FINALE	PIGNON-ENGR. D'ENTRAINEMENT	GETRIEBERAD & AUSGANGSTIFT
28	441808 00	TRUST WASHER	RONDELLA DI RASAMENTO	RONDELLE	SCHEIBE
29	640019 01	GREASE SEAL	PARAOLIO	PARAHUILE	SCHMIERDICHTUNG
30	784062 00	DRIP TRAY	RACCOGLIGOCCE	GOUPELLE EAU	TROPFFPFANNE
31	640060 00	GASKET	GUARNIZIONE	JOINT	DICHTUNG
32	060359 00	COUPLING	GIUNTO	BAGUE D'ACCOUPLMENT CPL	KUPPLUNG
33	421052 00	SCREW	VITE	VIS	SCHAUBE
34	440015 04	WASHER	RONDELLA	RONDELLE	SCHEIBE
35	794302 00R	FREEZER ASSY	ASS. FREEZER	ENS. FREEZER	GEFRIERZYLINDEREINHEIT
36	764010 00	ALUMINIUM ADAPTER	SUPPORTO DI ALLUMINIO	SUPPORT	PASSTUECK
37	784483 00	WORM TUBE ONLY	TUBO EVAPORATORE	CYLINDRE EVAPORATEUR	GEFRIERZYLINDER
39	421591 00	SCREW	VITE	VIS	SCHRAUBE
40	440015 04	WASHER	RONDELLA	RONDELLE	SCHEIBE
41	724052 08	AUGER	COCLEA	VIS SANS FIN	SCHNECKE
42	640040 00	WATER SEAL	ASSIEME PREMISTOPPA	GARNITURE D'ETANCHEITE	WASSERDICHTUNGEINHEIT
43	670011 01	LO BEARING	CUSCINETTO INFERIORE	PALIER INFERIEUR	UNTERESLAGER
44	754001 01	ICE BREAKER ONLY	ROMPIGHIACCIO	BROYEUR	EISBRECHER
45	420000 26	SCREW	VITE	VIS	SCHRAUBE
46	440015 05	WASHER	RONDELLA	RONDELLE	SCHEIBE
47	640041 01	O RING	GUARNIZIONE OR	JOINT TORIQUE	O RING
48	670041 00	TOP BEARING	CUSCINETTO SUPERIORE	PALIER SUPERIEUR	OBERESLAGER
49	420030 00	SCREW	VITE	VIS	SCHAUBE
50	734105 00	CAP	CALOTTA	CALOTTE	KUGELHAUBE
51	650297 00	CLIP RING	ANELLO SEEGER	CIRCLIP	RING
52	263612 00	WATER PROOF GREASE	GRASSO IDROREPELL.	GRAISSE	FETT
53	754004 00	SPOUT CASTING	BOCCHETTA IN OTTONE	GOULOTTE EN LAITON	MESSINGEISWURFSCHUTE
54	640072 00	GASKET	GUARNIZIONE	JOINT	DICHTUNG
55	724087 00	SPOUT PLATE	PIASTRINA BOCCHETTA	BRIDE DE GOULOTTE	EISWURFSCHUTE PLATTE
56	420002 05	SCREW	VITE	VIS	SCHAUBE
57	440015 05	WASHER	RONDELLA	RONDELLE	SCHEIBE

Зип-Общепит

vsezip.ru

+7(812)987-08-81



Зип Общепит

AF 80 - P.C. BOARD AND SENSOR ASSY - SCHEDA ELETTRONICA E SENS  
ENS. CARTE ELECTRIQUE ET DETECTEURS - ELEKTRONISCHE KARTE UND TEMPERATUR

vsezip.ru

+7(812)987-08-81

ITEM NO POS NO REP. NO REF. NO	PART NO CODICE REFERENCE STUECK NR	DESCRIPTION	DESCRIZIONE	DESIGNATION
1	660546 00	CONTROL BOX	SCATOLA ELETTRICA	BOITE ELECTRIQUE
2	660547 02	CONTROL BOX COVER	COPERCHIO SCATOLA ELETTRICA	COUVERCLE BOITE DE CO
3	620403 03 620403 09	P.C. BOARD ASSY RECYCLED PCB	ASSIEME SCHEDA ELETTRONICA SCHEDA ELETTRONICA RIC.	ENSAMBLE CARTE ELECTR CARTE ELECTRONIQUE RIC
4	630015 09 630015 10	FUSE (100 mA) FUSE (16 A)	FUSIBILE (100 mA) FUSIBILE (16 A)	FUSIBLE (100 mA) FUSIBLE (16 A)
6	620404 04	WATER LEVEL SENSOR	SENSORE LIVELLO ACQUA	CAPTEUR NIVEAU EAU
7	620404 03	HALL EFFECT SENSOR	SENSORE EFFETTO HALL	CAPTEUR EFFECT HALL
8	620404 01	CONDENSER TEMP. SENSOR	SENSORE TEMP. CONDENSATORE	CAPTEUR TEMP. CONDENS
9	620404 10	EVAPORATOR TEMP. SENSOR	SENSORE TEMP. EVAPORATORE	CAPTEUR TEMP. ÉVAPORA
10	650674 02	ICE LEVEL CONTROL ASSY	ASS. CONTR. LIVELLO GHIACCIO	ENS. DETECTEUR NIVEAU

## COMPRESSOR CHART - TABELLA COMPRESSORI - TABLEAU COMPRESSEUR - KOMPR

vsezip.ru

MODEL MODELLO MODELE MODELL	VOLTS TENSIONE TENSION SPANNUNG	COMPRESSOR MODEL MOD. COMPRESSORE TYPE COMPRESSEUR KOMPRESSOR TYP	COMPRESSOR COMPRESSORE COMPRESSEUR KOMPRESSOR	RELAY RELÉ RELAIS RELAIS	PRO PRO PRO SCHU
AF 80	115/60/1	U.H. AEZ 4430 Y	670101 05	620057 58	620
AF 80	230/60/1	U.H. AEZ 4430 Y	670101 01	620057 42	620
AF 80	230/50/1	ELECTROLUX GL 90 TB	670100 00	620057 31	620

## ELECTRIC COMPONENTS CHART - TABELLA COMPONENTI ELETTRICI - TABLEAU COMPOSANTS ELEC

MODEL MODELLO MODELE MODELL	VOLTS TENSIONE TENSION SPANNUNG	GEAR MOTOR ASSY ASS. MOTORIDUTTORE ENS. MOTOREDUCTEUR GETRIEBEMOTOREINHEIT	FAN MOTOR ONLY MOTORE VENTILATORE MOTEUR VENTILATEUR LUFTER MOTOR	DRIVE MOTOR CAPACITOR CAPACITA' MOTORE RIDUTT. CONDENSATEUR MOTEUR REDUCT. KONDENSATOR	SCH CAR ELEK
AF 80	115/60/1	794225 14 R	620419 03	620292 00	
AF 80	230/60/1	794225 13 R	620419 02	620292 04	
AF 80	230/50/1	794225 13 R	620419 02	620292 04	