

**Зип Общепит**

**vsezip.ru**

**AF325 Parts List**

**+7(812)987-08-81**

**Table of Contents**

**Cabinet**

**Major Assemblies**

**Compressor**

**Spout**

**Evaporator**

**Gearbox**

**Control Box**

**Wiring Diagrams**

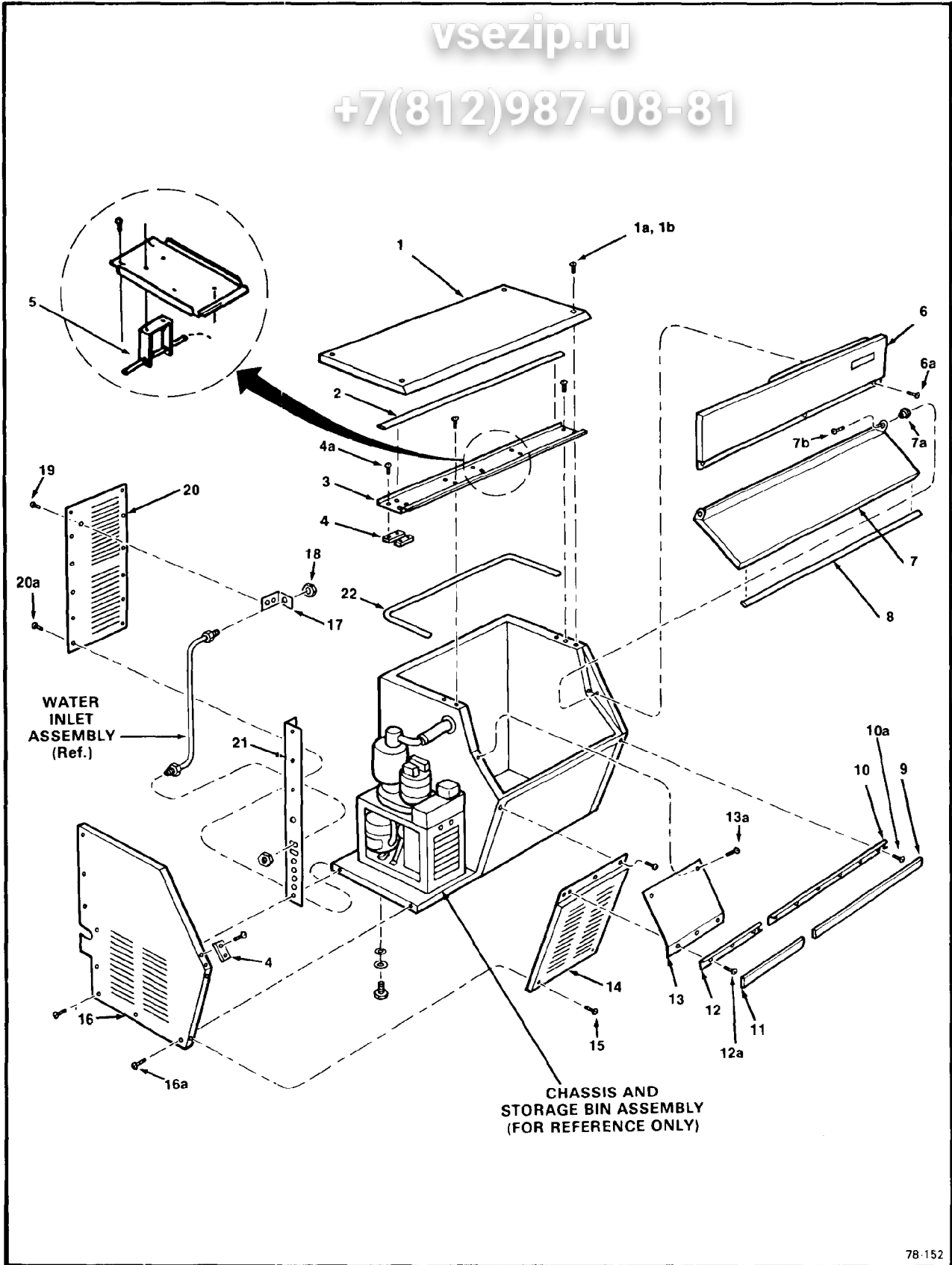
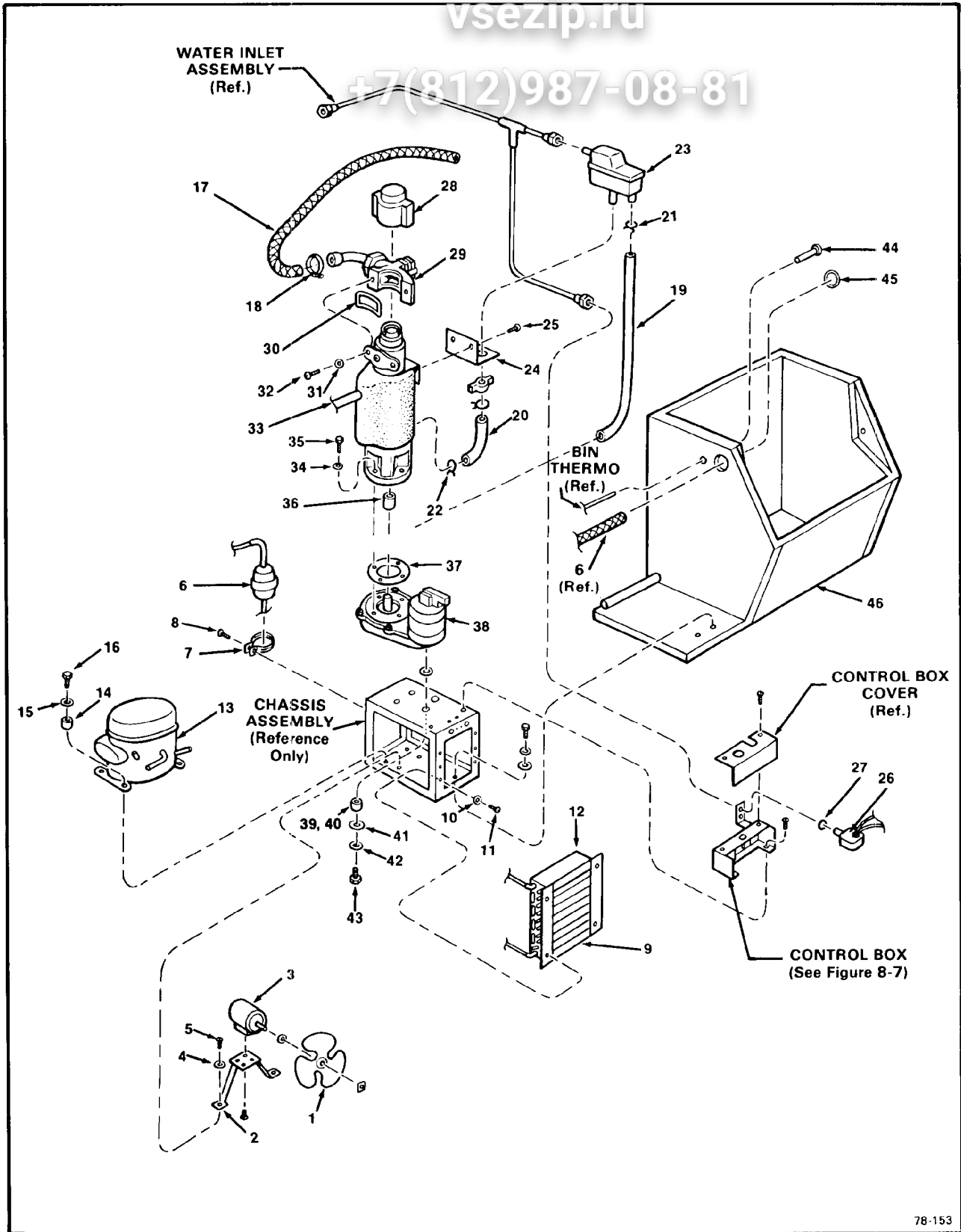


Figure 8-1. AF-325 Cabinet

Item Number	Part Number	Description
1	A26931-005	Top Panel, Painted
	A26931-004	Top Panel, Stainless Steel
	A26917-001	Plastic Liner
1a	03-1417-24	Lockwasher
1b	03-1419-23	Screw
2	13-0781-01	Gasket, 34 inch long, order by the foot
3	A34011-001	Top Brace
4	no number	Spacer
4a	03-1404-12	Screw
5	A30720-01	Bin Thermo Bracket
6	A26935-005	Upper Front Panel, Painted
	A26935-003	Upper Front Panel, Stainless Steel
	03-1404-10	Screw
7	02-2332-04	Ice Access Door, Brown (only Gray is available)
	02-2332-04	Ice Access Door, Gray
	02-2332-04	Ice Access Door, Orange (only Gray is available)
		(Gasket is not included with the door)
7a	02-2380-01	Hinge Bushing
7b	03-1405-07	Screw
8	13-0781-01	Gasket, 33 inches required, order by the foot.
9	15-0619-01	Moulding Cover, 22.44 inches required, order by the foot
10	15-0617-01	Track section
10a	03-1404-07	Screw
11	15-0618-01	Moulding Cover, 11.75 inches required, order by the foot
12	15-0616-01	Track section
12a	03-1404-07	Screw
13	A26921-004	Machine Compartment Baffle, Painted
	A26921-004	Machine Compartment Baffle, Stainless Steel
	03-1404-10	Screw
14	A26928-006	Lower left Panel, Painted
	A26928-004	Lower Left Panel, Stainless Steel
15	03-1419-08	Screw
16	A28795-003	Left Side Panel, Painted
	A28795-002	Left Side Panel, Stainless Steel
	03-1404-09	Screw
17	No Number	Bracket, Inlet Fitting
18	03-1394-01	Pal nut
19	03-1404-08	Screw
20	A34010-001	Rear Panel
20a	03-1404-09	Screw
21	A27066-003	Corner Post, Painted
	A27066-002	Corner Post, Stainless Steel
22	13-0781-01	Gasket, 41 inches required, order by the foot.



78-153

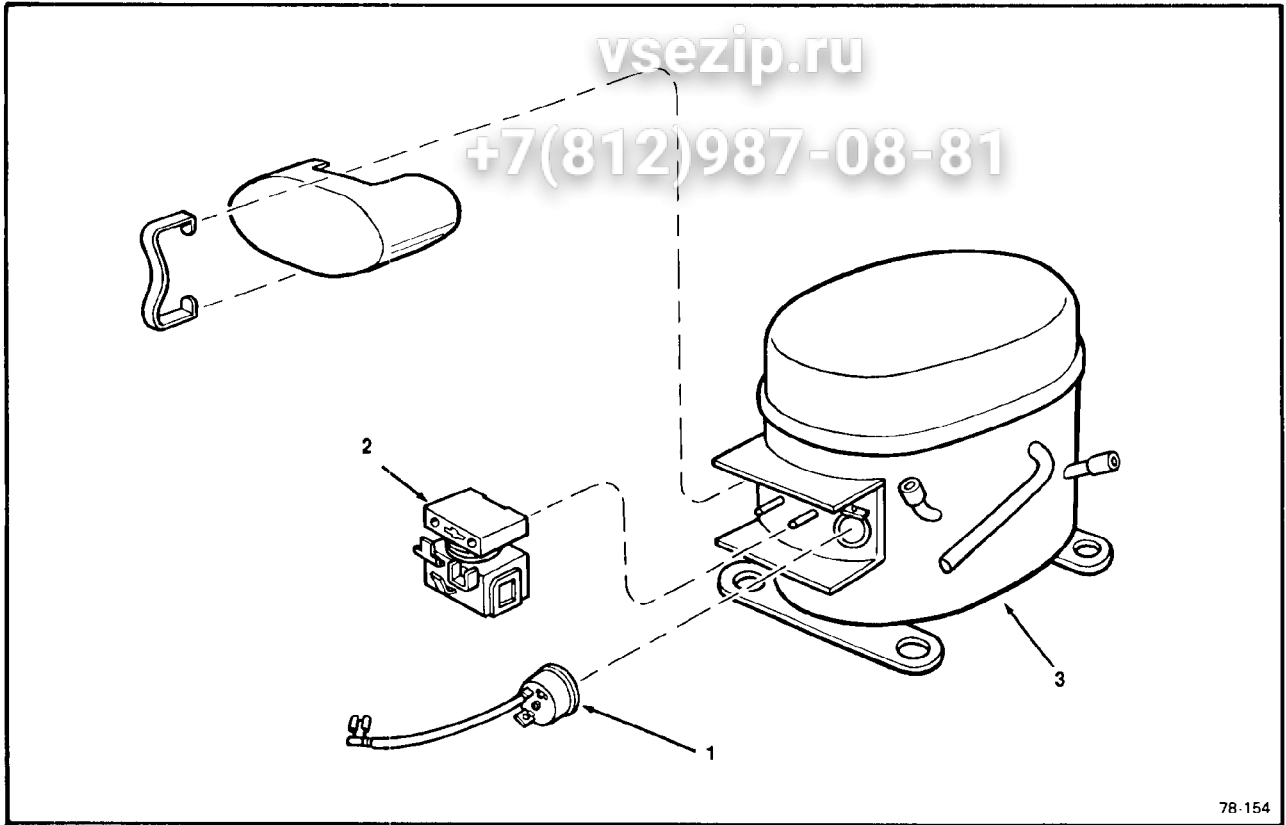
Figure 8-2. AF-325 - Major Assemblies

Figure 8-2. AF325 - Major Assemblies

Major Assemblies

Item Number	Part Number	Description
1	18-3728-01	Fan Blade
2	A25548-015	Fan Motor Bracket
3	12-1575-01	Fan Motor
4	03-1417-09	Lockwasher, No. 1, 4
5	03-0571-00	Screw, 1/4 -20 x1/2
6	02-3319-01	Drier
7	A09386-000	Drier Brace
8	03-1404-18	Screw, No. 10 x 3/4 t/f tap
9	18-3727-01	Air cooled condenser
10	03-1417-05	Lockwasher, No. 10
11	03-1404-15	Screw, No. 10 x 3/8 t/f tap
12	02-2553-01	Fan Shroud
13	18-4700-51	Compressor
14	18-4700-28	Grommet
15	03-1410-04	Lockwasher, No. 5/16 Helical Spring
16	03-1405-20	Screw, No. 5/16 x 1-1/2
17	A28042-003	Ice Tube
18	02-0179-02	Hose Clamp
19	13-0079-03	Reservoir overflow tube, order by the foot
20	13-0674-09	Reservoir to freezer tube (2.5" long)
21	02-0535-01	Clamp, use with item 8
22	02-0694-00	Clamp, use with item 9
23	02-2217-01	Reservoir
24	No number	Reservoir bracket
25	03-1403-26	Screw, No. 10-24 x 3/8
26	11-0296-00	Low Water Pressure Swicth
27	13-0617-26	O-Ring
28	13-0815-01	Freezer Cap
29	No Number	Spout Assembly, See page 7.
30	13-0679-00	Spout Gasket
31	03-1417-07	Lockwasher
32	03-1544-03	Screw, No. 5/16 x 3/4
33	No number	Freezer Assembly see page 8.
34	03-1417-12	Lockwasher
35	03-1420-04	Screw, No. 5/16 x 3/4
36	A29915-002	Coupling
37	13-0628-00	Gasket
38	A31997-021	Drivemotor Assembly
39	13-0639-00	Grommet
40	A24925-001	Spacer
41	03-1408-02	Spacer Washer
42	03-1410-03	Lockwasher
43	03-1405-45	Screw
44	13-0639-00	Grommet
45	13-0806-01	Sealing Pad
46	A34072-001	Cabinet Foaming Assembly, Painted
	A34072-002	Cabinet Foaming Assembly, Stainless Steel

November 2003



78-154

Figure 8-3. Compressor Assembly

**COMPRESSOR ASSEMBLY**

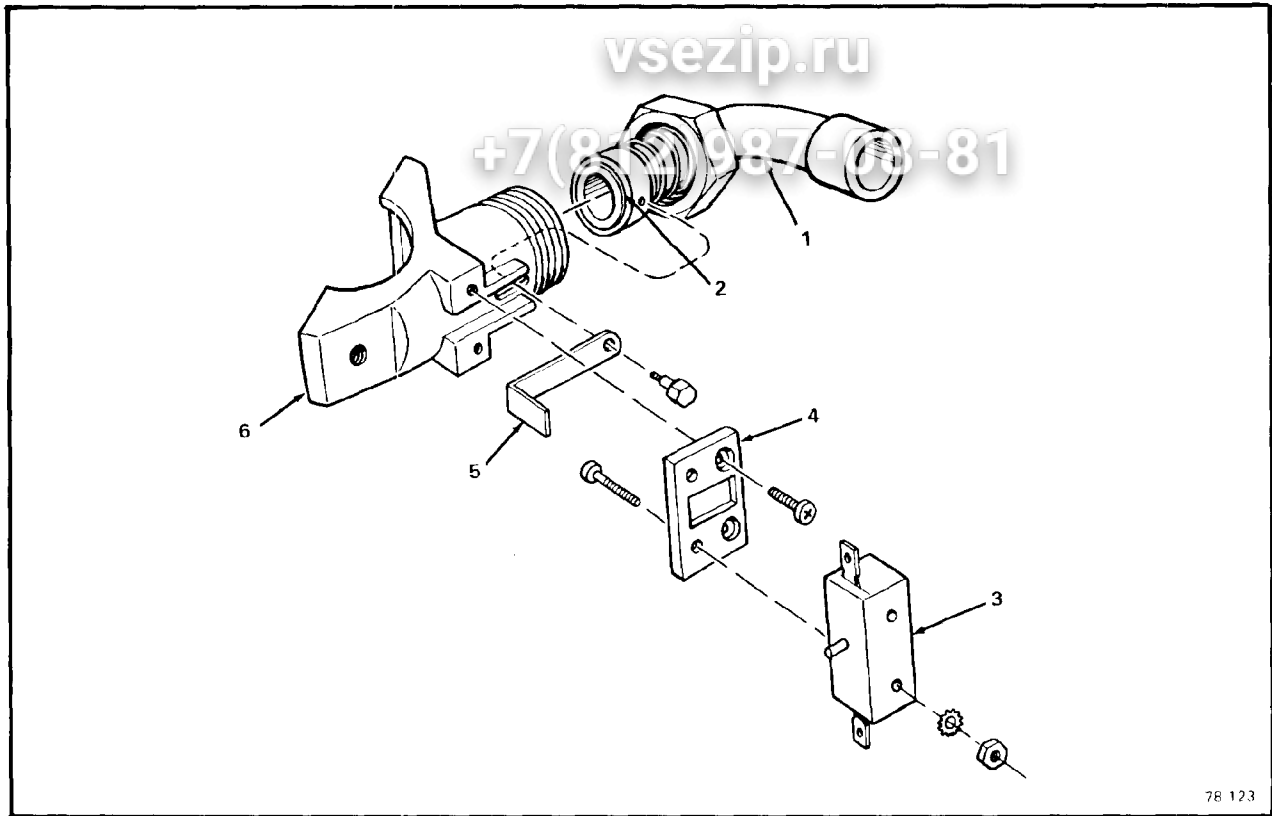
**ITEM NUMBER PART NUMBER DESCRIPTION**  
**For compressors without start capacitor**

- 1 18-4700-29 Overload
- 2 18-4700-30 Relay

**For compressors with start capacitor**

- 18-4700-52 Overload
- 18-4700-53 Relay
- 18-4700-54 Capacitor

- 3 18-4700-51 Replacement compressor (includes overload, relay, and capacitor)



78 123

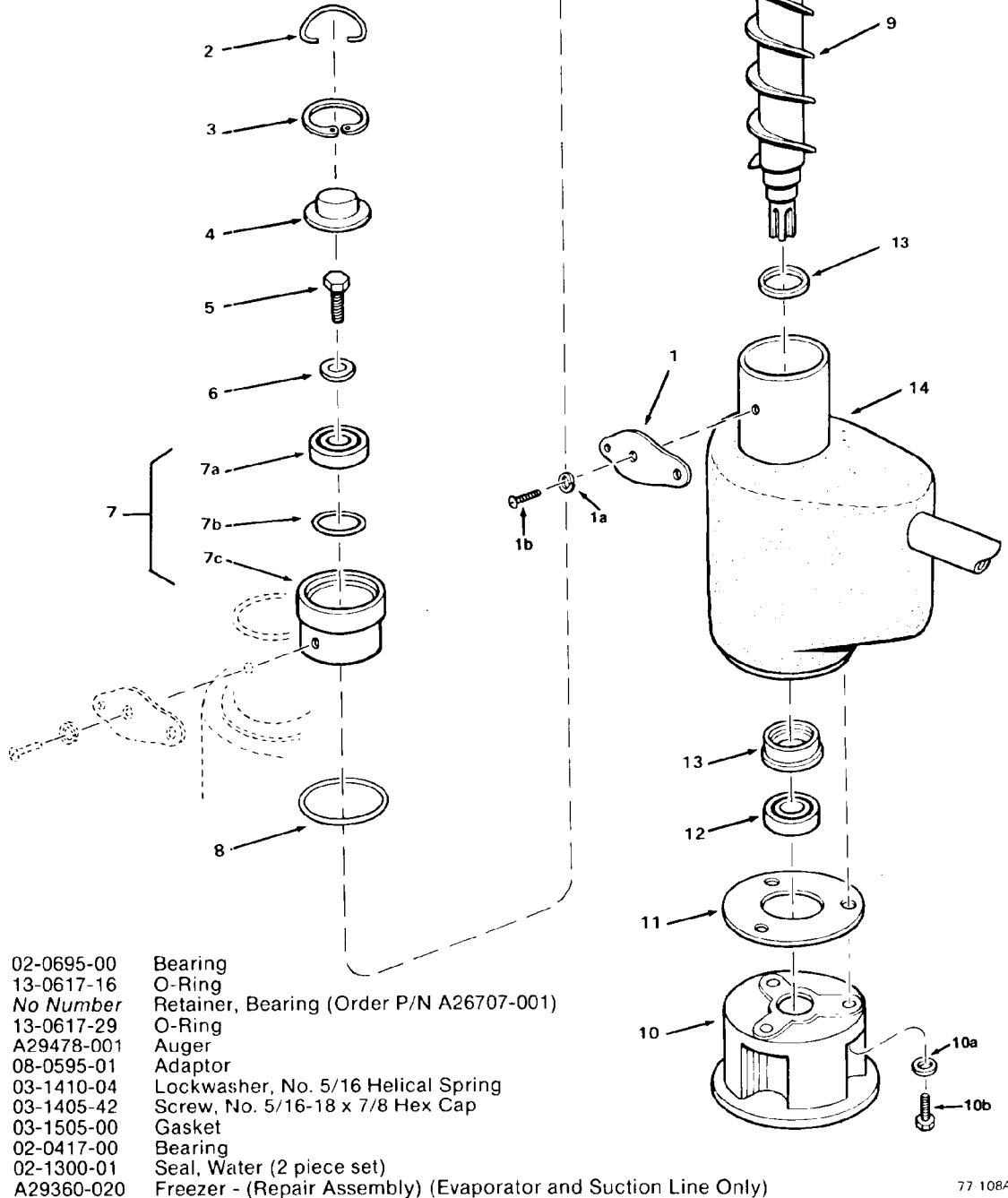
Figure 8-4. Spout Assembly.

## SPOUT ASSEMBLY

ITEM NUMBER	PART NUMBER	DESCRIPTION
1	A26542-001	Tube, Ice Discharge
2	13-0617-41	O-Ring
3	12-1664-00	Switch
	03-1418-38	Screw, No. 6-32 x 1 Flat Hd. Mach - Phil Recess
	03-1417-01	Lockwasher, No. 6 External Tooth - Phosphor Bronze
	03-1406-01	Nut, No. 6-32 Hex Mach Screw
4	02-2377-01	Barrier, Thermal
	03-1418-01	Screw, No. 6-32 x 3/8 Flat Hd Mach - Phil Recess
5	A27511-001	Acutator, Switch
	A25305-001	Screw, Shoulder
6	A24934-001	Spout

## FREEZER ASSEMBLY

ITEM NUMBER	PART NUMBER	DESCRIPTION
1	A18430-002	Plate, Spout
1a	03-1409-14	Washer, No. 3/16 Non-Metallic
1b	03-1506-01	Screw, No. 10-24 x 3/8 Phil Recessed Hd Sealing
2	A08162-000	Hook, cap
3	03-1558-03	Ring, Retaining
4	A07701-000	Cap
5	03-0758-00	Screw, Cap
6	A07699-000	Washer
7	A26707-001	Bearing/Retainer - w/Bearing



7a	02-0695-00	Bearing
7b	13-0617-16	O-Ring
7c	No Number	Retainer, Bearing (Order P/N A26707-001)
8	13-0617-29	O-Ring
9	A29478-001	Auger
10	08-0595-01	Adaptor
10a	03-1410-04	Lockwasher, No. 5/16 Helical Spring
10b	03-1405-42	Screw, No. 5/16-18 x 7/8 Hex Cap
11	03-1505-00	Gasket
12	02-0417-00	Bearing
13	02-1300-01	Seal, Water (2 piece set)
14	A29360-020	Freezer - (Repair Assembly) (Evaporator and Suction Line Only)

77 108A

Figure 8-5. Freezer Assembly.



# AF325 Service Parts

## Gear Reducer and Motor

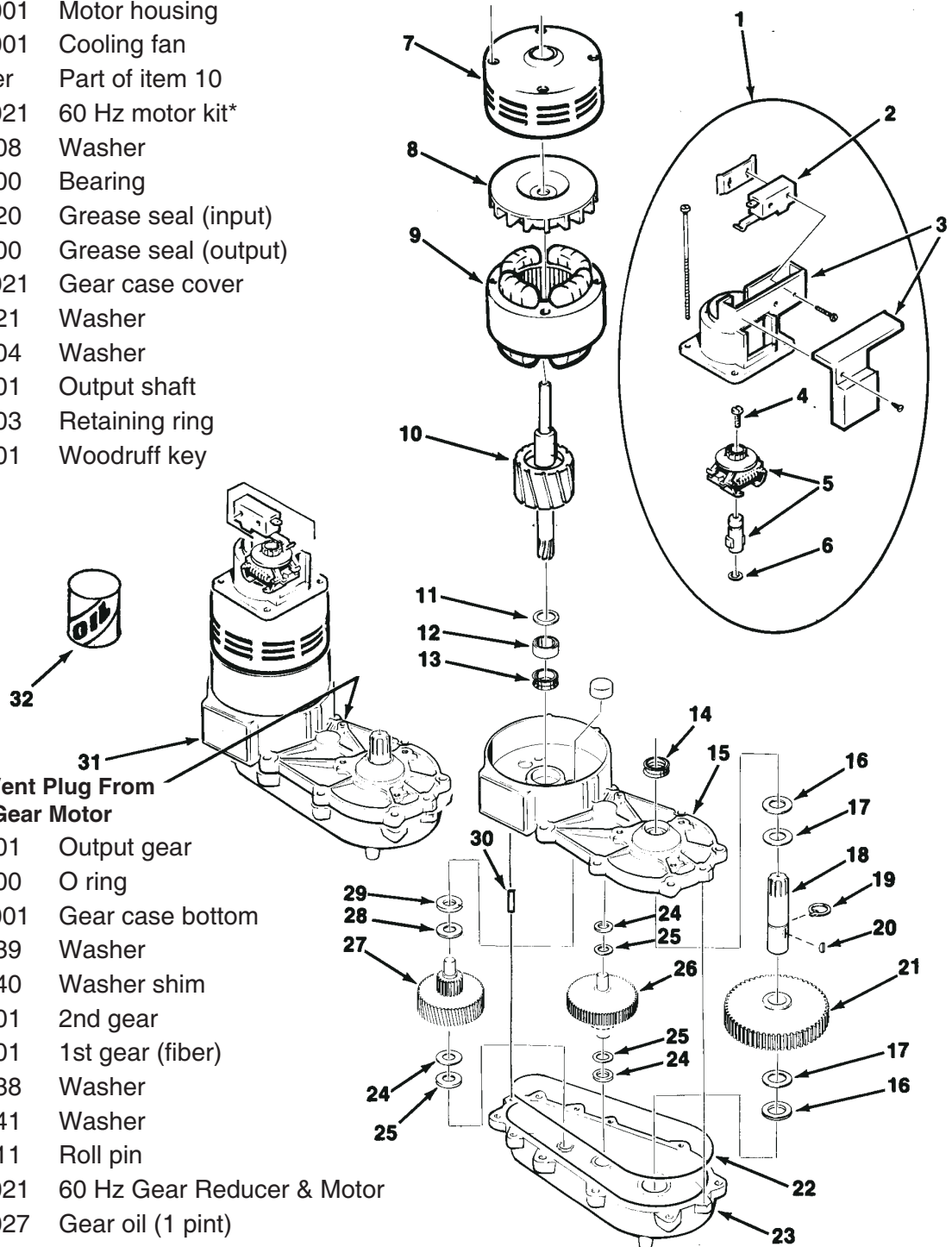
ZIP ОБЪЕДИТ

vsezip.ru

+7(812)987-08-81

Item Number	Part Number	Description
1	A27494-001	Centrifugal switch kit
2	12-2059-01	Switch
3	A27494-001	Housing
4	03-1403-77	Screw
5	A30579-001	Shaft & actuator
6	03-1408-36	Washer
7	A38487-001	Motor housing
8	A28168-001	Cooling fan
9	no number	Part of item 10
10	A37707-021	60 Hz motor kit*
11	03-1408-08	Washer
12	02-1501-00	Bearing
13	02-3969-20	Grease seal (input)
14	02-1503-00	Grease seal (output)
15	A28165-021	Gear case cover
16	03-1408-21	Washer
17	03-1408-04	Washer
18	02-2445-01	Output shaft
19	03-1515-03	Retaining ring
20	03-1602-01	Woodruff key

\* includes items 7, 8, 9, 10, 11 and 12



Remove Rubber Vent Plug From Replacement Gear Motor

21	02-2444-01	Output gear
22	02-1505-00	O ring
23	A28166-001	Gear case bottom
24	03-1408-39	Washer
25	03-1408-40	Washer shim
26	02-2439-01	2nd gear
27	02-2438-01	1st gear (fiber)
28	03-1408-38	Washer
29	03-1408-41	Washer
30	03-0774-11	Roll pin
31	A31977-021	60 Hz Gear Reducer & Motor
32	A32379-027	Gear oil (1 pint)

## CONTROL BOX ASSEMBLY

ITEM NUMBER	PART NUMBER	DESCRIPTION
1	11-0420-01	Control, Low-Pressure
	03-1403-02	Screw, No. 6-32 x 1/4 Pan Hd
2	11-0402-01	Control, Pressure - Auger
	03-1403-02	Screw, No. 6-32 x 1/4 Pan Hd
3	11-0354-00	Control, Bin Thermo
	03-1403-14	Screw, No. 8-32 x 3/16 Pan Hd
4	13-0557-00	Grommet
5	12-0813-04	Board, Terminal
	03-1403-21	Screw, No. 8-32 x 3/4 Pan Hd
6	12-0426-01	Switch, Toggle
7	12-1213-10	Bushing, Snap

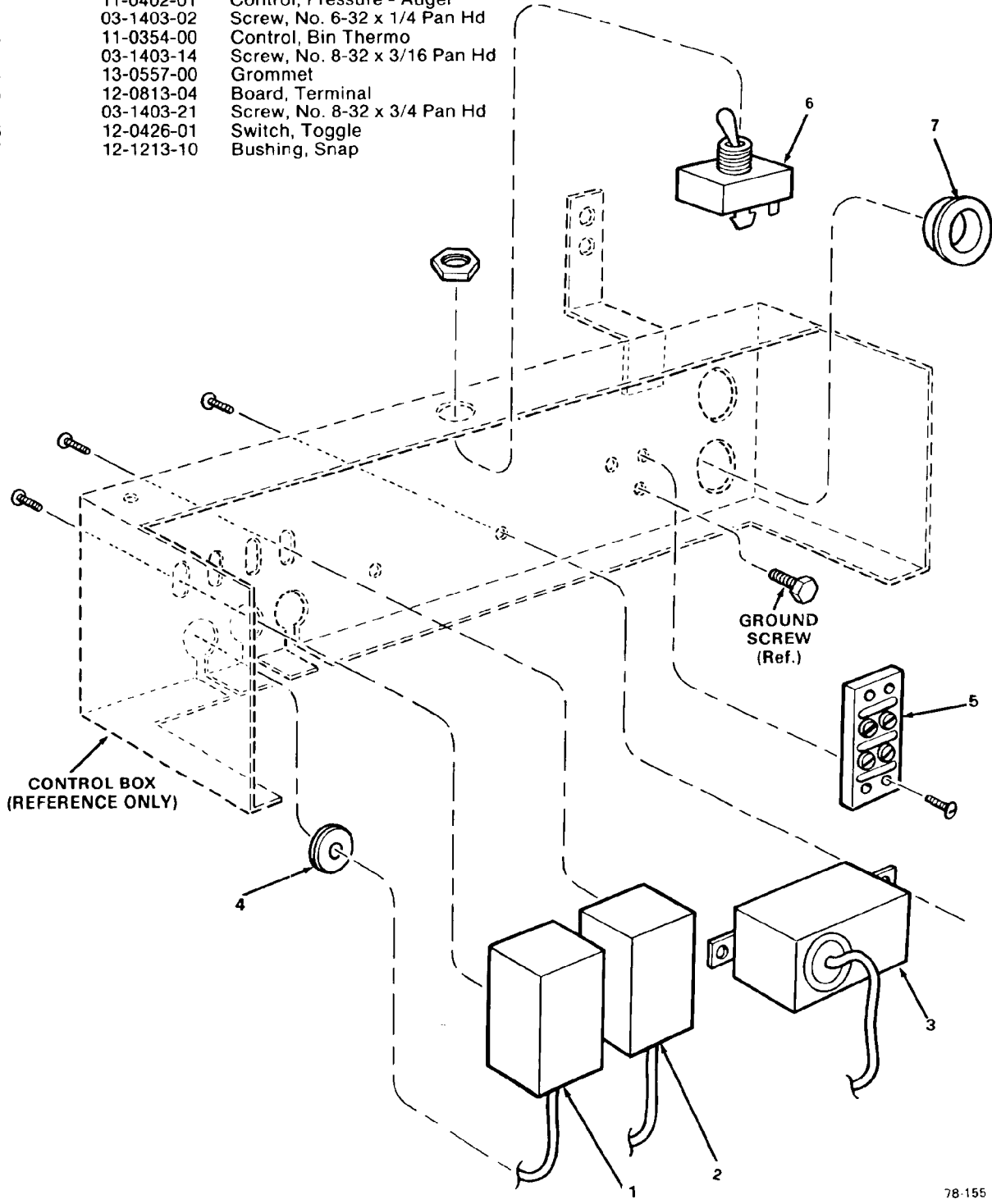


Figure 8-7. Control Box Assembly

vsezip.ru

+7(812)987-08-81

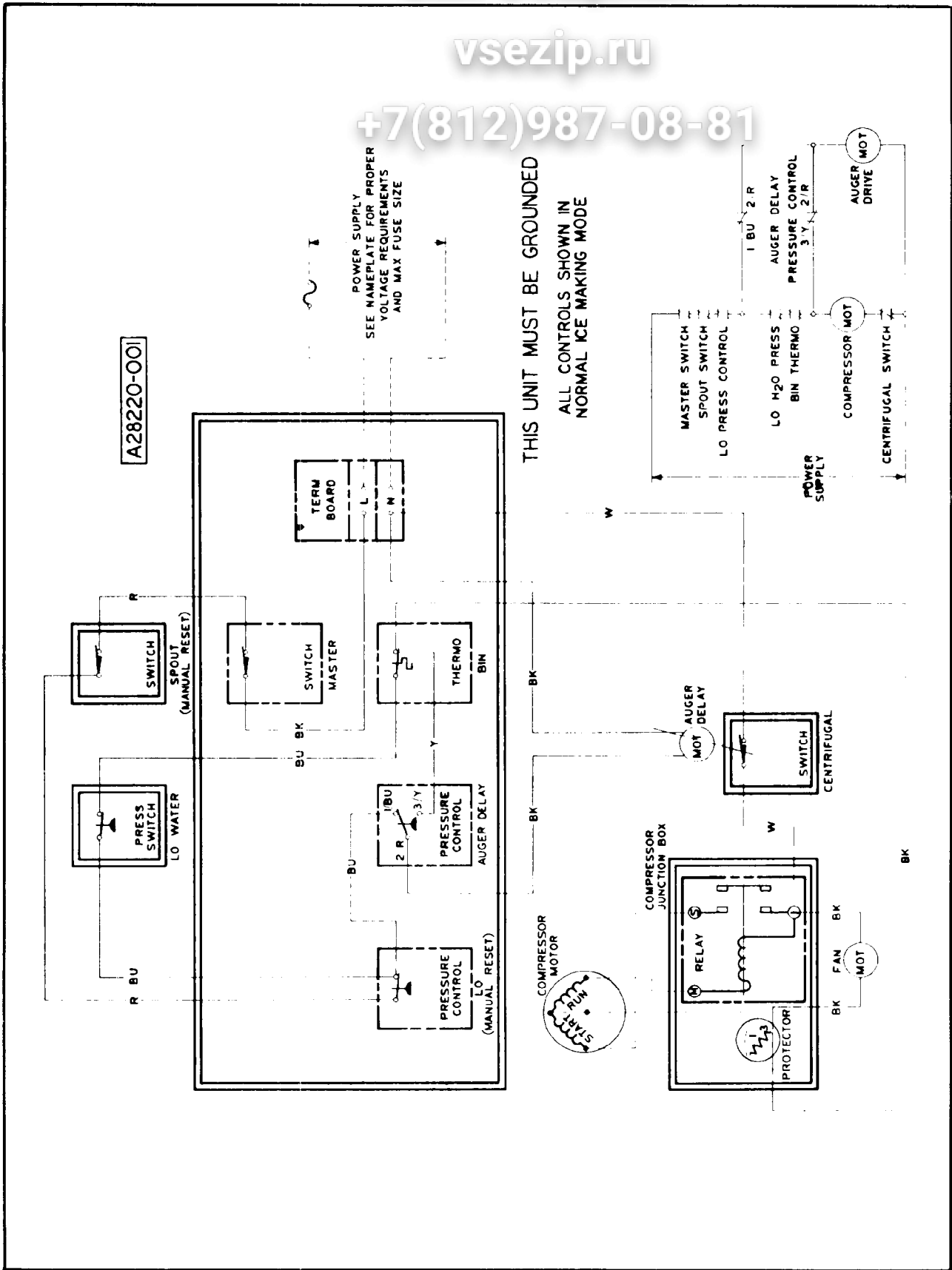


Figure 8-8. Wiring Diagram AF-325 - Air-Cooled Model

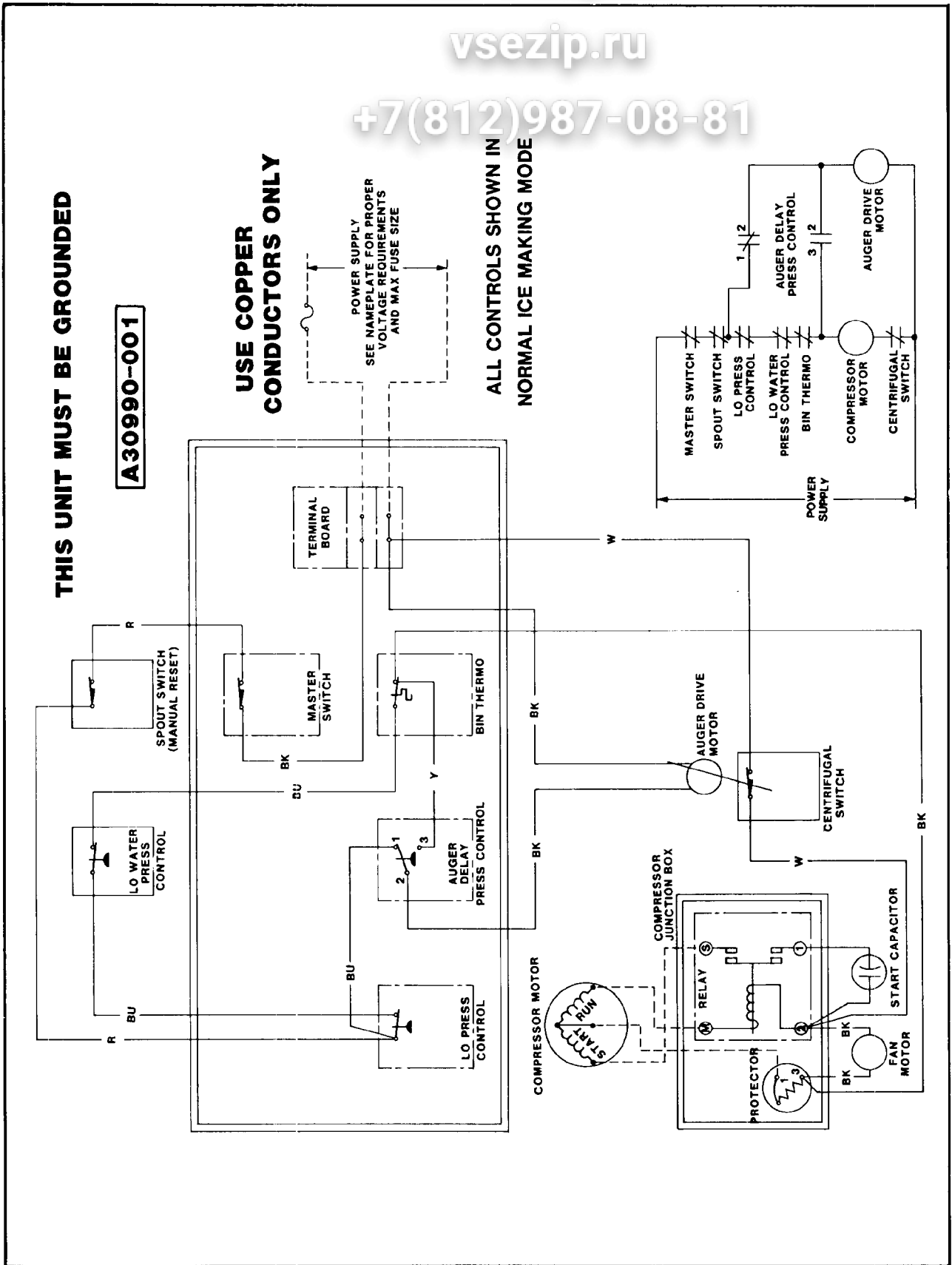


Figure 8-9. Wiring Diagram AF-325 - Air-Cooled Model