

ACM 45

Вип Общепит

vsezip.ru

Electronic cuber with storage

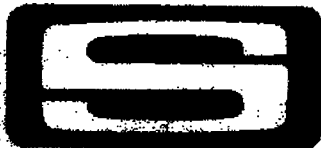
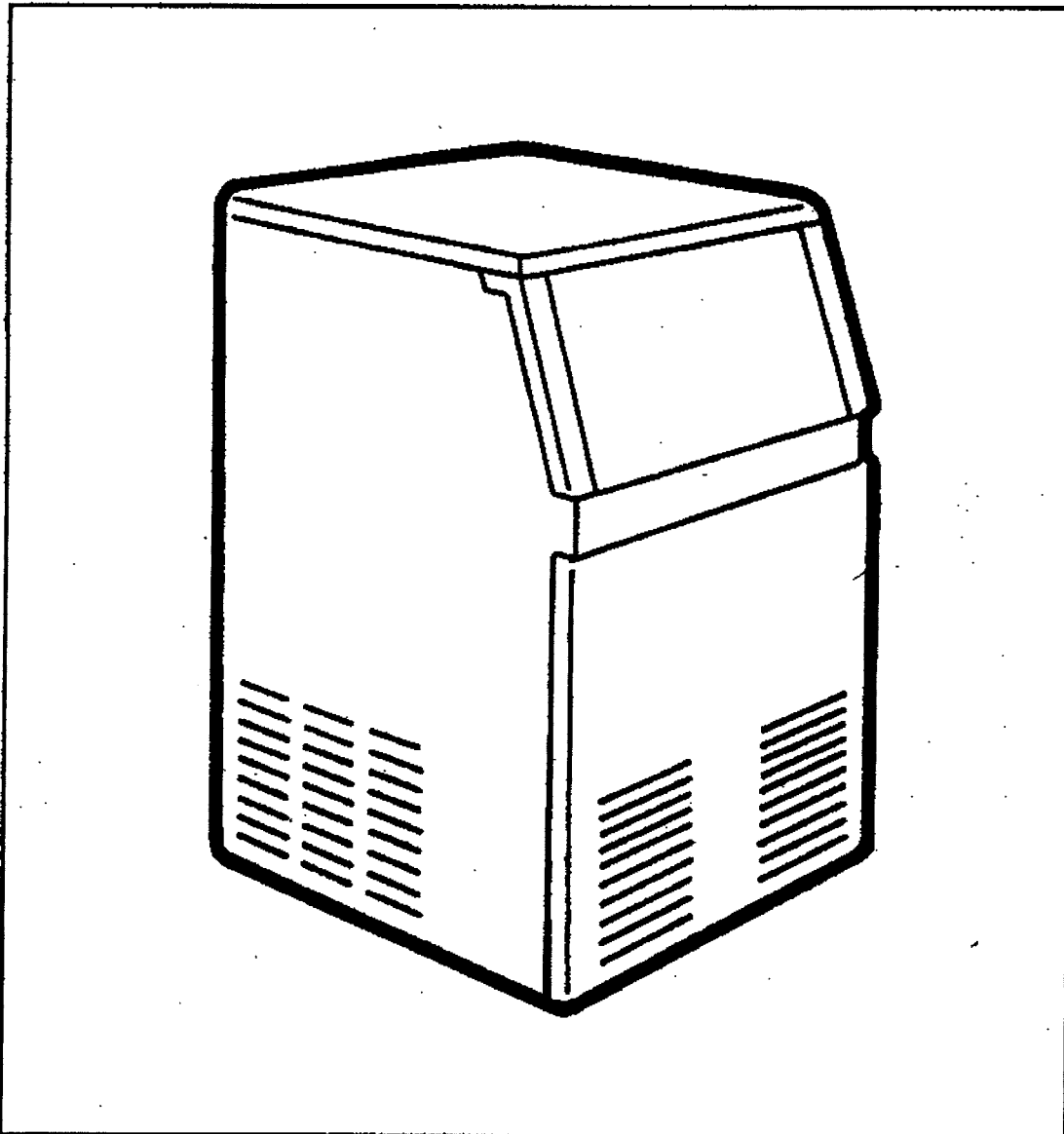
+7(812)987-08-81

Spare parts list

Catalogo ricambi

Catalogues pièces détachées

Ersatzteilkatalog



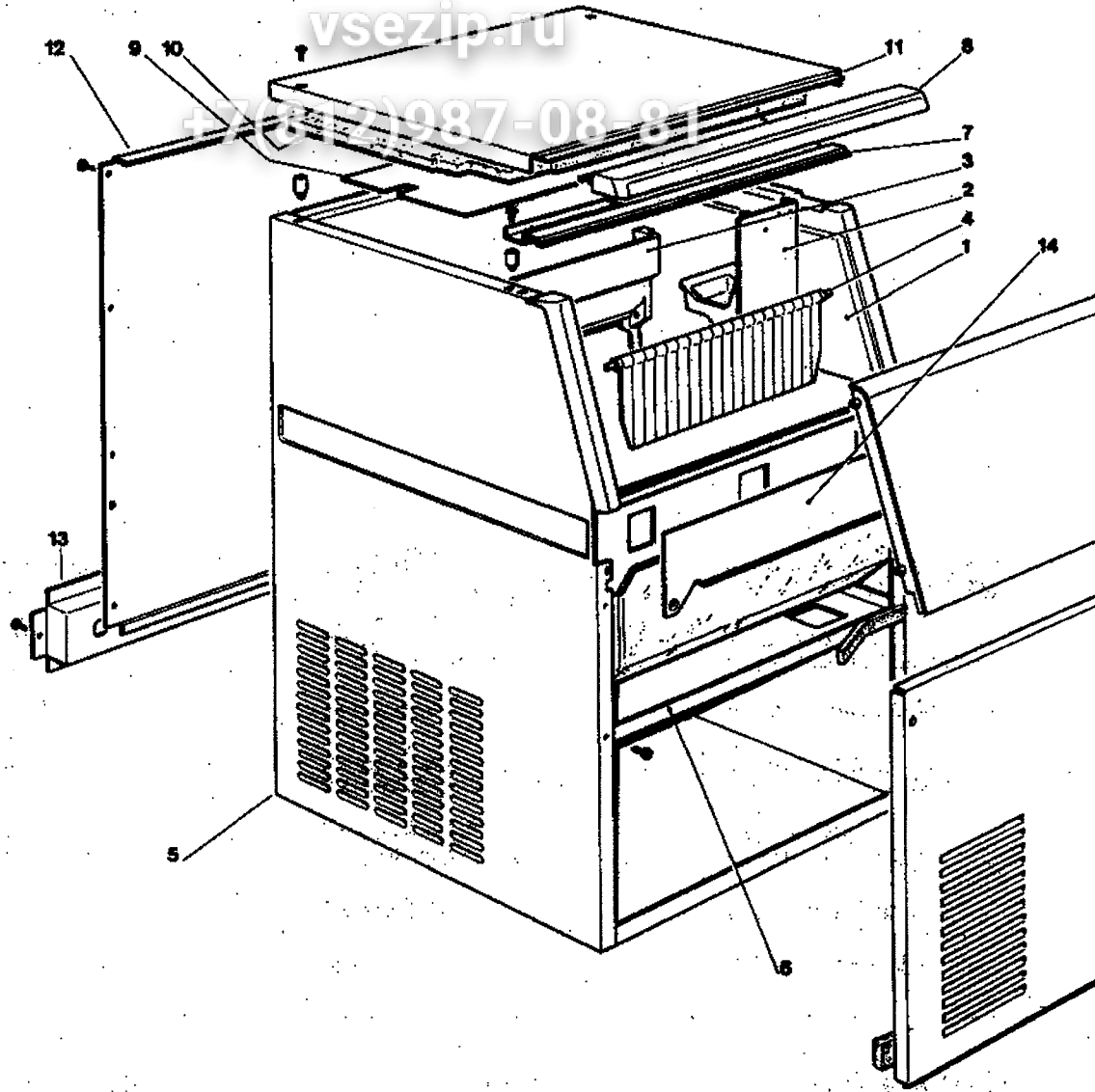
SCOTSMAN®

ICE SYSTEMS

Зип Ощепит

vsezip.ru

+7(812)987-08-81



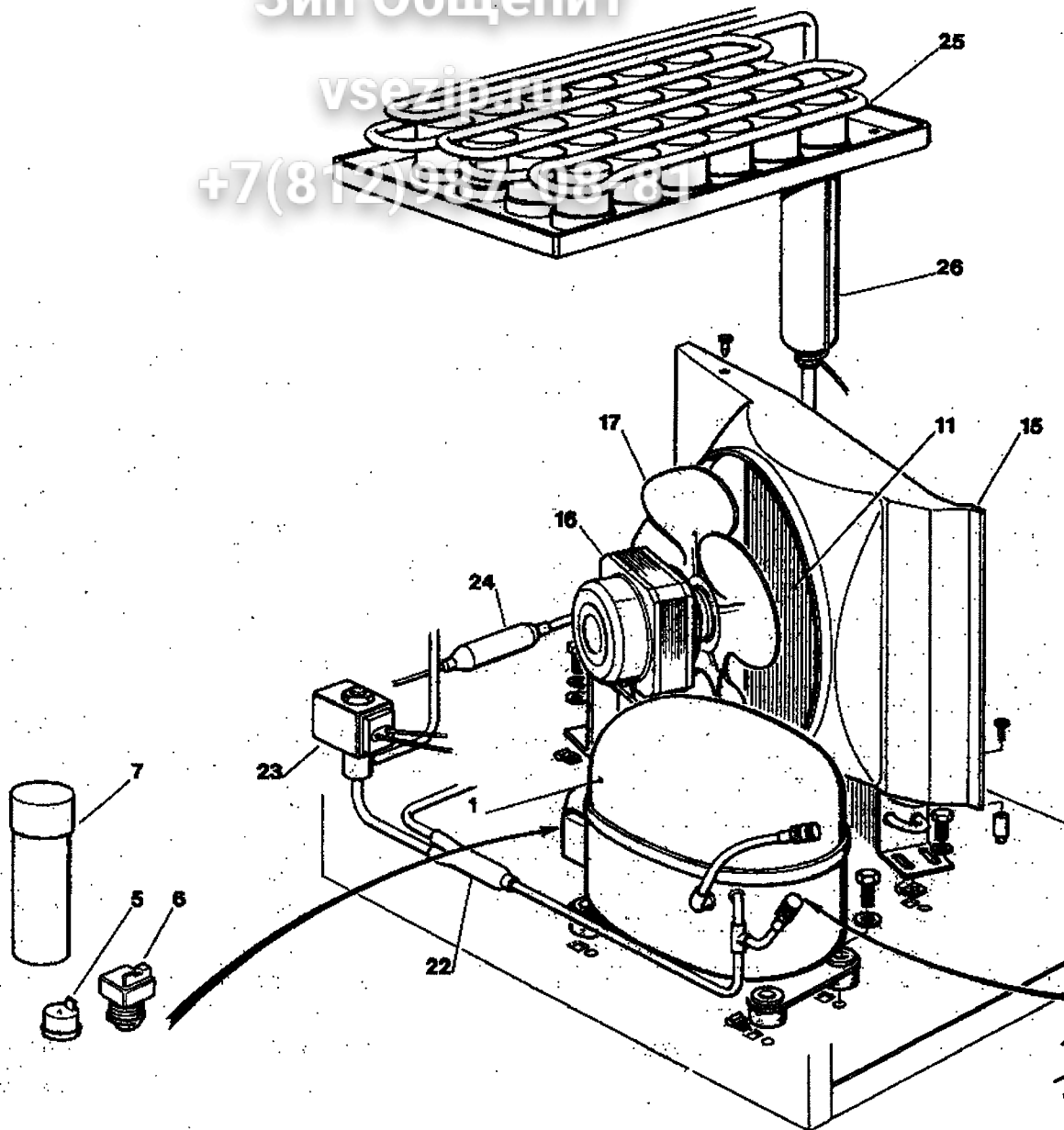
ACM 45 UNITA 06 ASSIEME MOBILE - ENS. CARROSSERIE - MACHINE

ITEM NO POS NO REP. NO REF. NO	PART NO CODICE REFERENCE STUECK NR	DESCRIPTION	DESCRIZIONE	DESIGNATION
1	782070 10	INSULATED STORAGE BIN	CELVOLAT	GABINE STOCKAGE ISOLE
2	660470 01	PUMP BRACKET	SUPPORTO POMPA	SUPPORT POMPE
3	660469 01	CURTAIN BRACKET	SUPPORTO TENDINA	SUPPORT RIDEAU
4	784169 09	CURTAIN ASSY	ASSIEME TENDINA	ENSAMBLE RIDEAU
5	721564 00	UNIT FRAME S.S.	ASSIEME TELAIO INOX	ENSAMBLE CHASSIS ACIER
6	702168 00	METAL DIVIDER	SEPARATORE IN METALLO	SEPARATEUR METALLIQUE
7	721455 00	FRONT LINER METAL BRACKET	RINFORZO FRONTALE IN METALLO	SUPPORT FRONTAL META
8	660468 01	PLASTIC FRONT LINER	FRONTALINO IN PLASTICA	FRONTAL EN PLASTIQUE
9	742033 03	EVAPORATOR COVER	COPERCHIO EVAPORATORE	COUVERCLE EVAPORATEUR
10	784378 11	UPPER INSULATION	ISOLAMENTO SUPERIORE	ISOLATION SUPERIEUR
11	721563 00	TOP PANEL S.S.	PANNELLO SUPERIORE ACC. INOX	PANNEAU SUPERIEURE AC
12	702169 00	REAR PANEL S.S.	PANNELLO POSTERIORE ACC. INOX	PANNEAU ARRIERE ACIER
13	721562 00	METAL BRACKET FOR FITTINGS S.S.	SUPPORTO ATTACCHI ACC. INOX	SUPPORT DE RACCORDS
14	721451 06	S.S. FRONT PLATE	PANNELLINO FRONTALE ACC. INOX	BANDE ENTRETOISE ACIER
15	701937 01	FRONT PANEL S.S.	PANNELLO FRONTALE ACC. INOX	PANNEAU AVANT ACIER IN
16	660572 00	BIN DOOR ASSY	ASSIEME SPORTELLO	ENSAMBLE PORTE CABINE
17	660286 00	DOOR RUNNER - BUSHING	BUSSOLA DI SCORRIMENTO	BAGUE DE COULISSAGE P
19*	732017 15	BULB HOLDER	PORTA BULBO	PORTEBULBE
20*	650362 01	LEGS	PIEDINI	PIEDS
		* NOT SHOWN	* NON MOSTRATO	* PAS MONTRÉ

Зип Общепит

vsezip.ru

+7(812)987-98-81



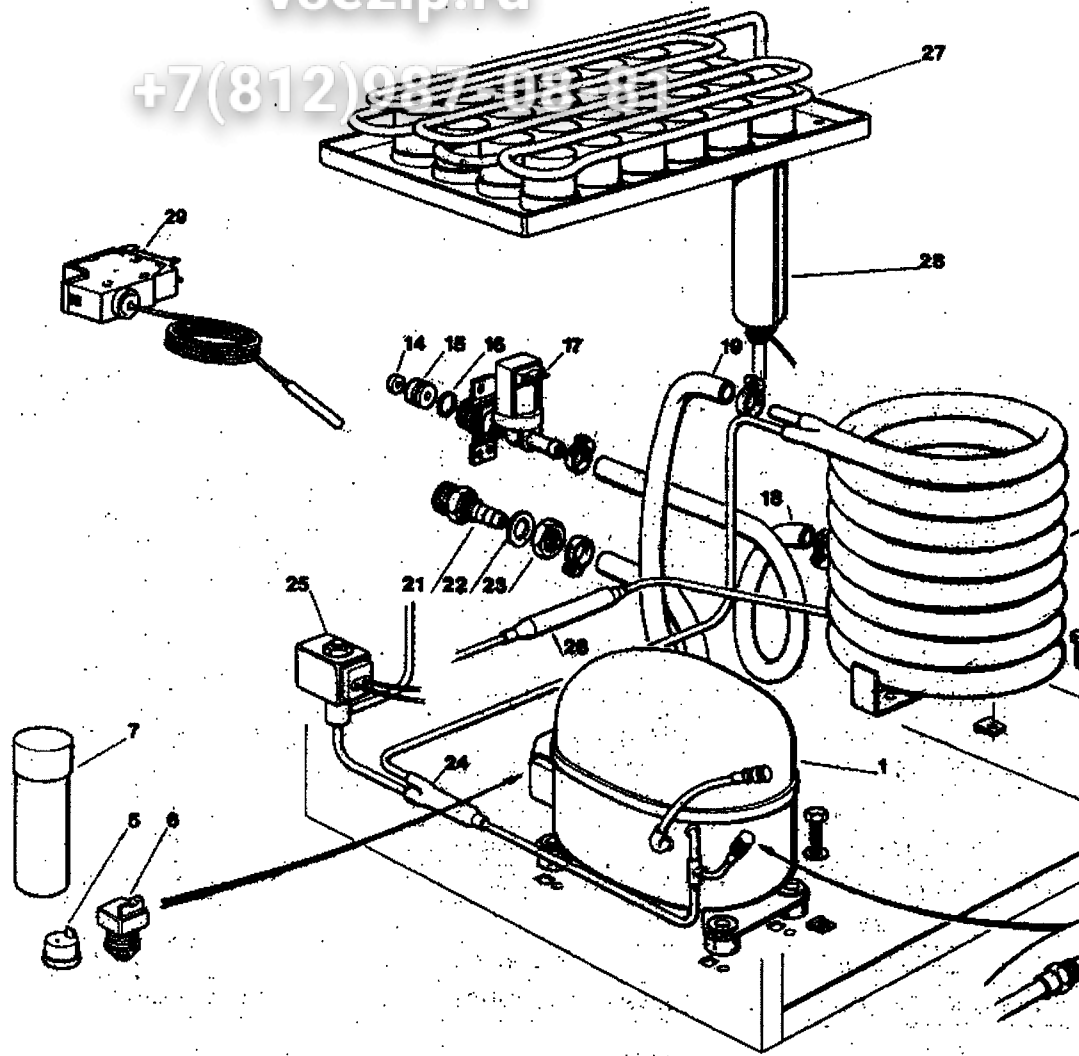
ACM 45 - REFRIG. AIR SYSTEM AIR COOLED - SISTEMA REFRIGERANTE RAFFREDDAMENTO ARIA
CIRCUIT FRIGORIFIQUE REFRROID. PAR AIR - LUFTGEKÜHLT GEFRIERSYSTEM

ITEM NO POS NO REP. NO REF. NO	PART NO CODICE REFERENCE STUECK NR	DESCRIPTION	DESCRIZIONE	DESIGNATION
1	670097 01	COMPRESSOR ASSY	ASSIEME COMPRESSORE	ENSAMBLE COMPRESSEUR
5	620058 54	PROTECTOR	PROTEZIONE	PROTECTEUR
6	620057 32	RELAY	RELE	RELAIS
7	620167 23	START CAPACITOR	CONDENSATORE D'AVVIAMENTO	CAPACITE DE DEMARRAGE
8	650109 00	VALVE BODY	CORPO VALVOLA	CORPS DE VANNE
9	670012 00	VALVE PISTON	PISTONCINO VALVOLA	PISTON
10	650106 00	VALVE CAP	CAPPUCGIO VALVOLA	CAPUCHON DE VANNE
11	620276 02	AIR COOLED CONDENSER	CONDENSATORE AD ARIA	CONDENSEUR A AIR
15	660484 04	CONDENSER SHROUD	CONVOGLIATORE CONDENSATORE	COQUE DU CONDENSEUR
16	620003 10	FAN MOTOR	MOTORE VENTILATORE	MOTEUR DU VENTILATEUR
17	620007 03	FAN BLADE	VENTOLA	HELICE
22	630007 01	MECHANICAL FILTER	FILTRO MECCANICO	FILTRE MECANIQUE
23	620306 13 620308 26	HOT GAS VALVE ASSY HOT GAS VALVE COIL	ASSIEME VALVOLA GAS CALDO BOBINA VALVOLA GAS CALDO	ENSAMBLE VANNE GAZ CHAUD BOBINE VANNE GAZ CHAUD
24	630003 04	DRIER	FILTRO DEUMIDIFICATORE	FILTRE DESHYDRATEUR
25	784297 06	EVAPORATOR ASSY	ASSIEME EVAPORATORE	ENSAMBLE EVAPORATEUR
26	784294 01	SUCTION LINE/ACCUMULATOR	ACCUMUL. E LINEA ASPIRAZIONE	ENS. ASPIRATION/ACCUMUL.

Зип Общепит

vsezip.ru

+7(812)987-08-81



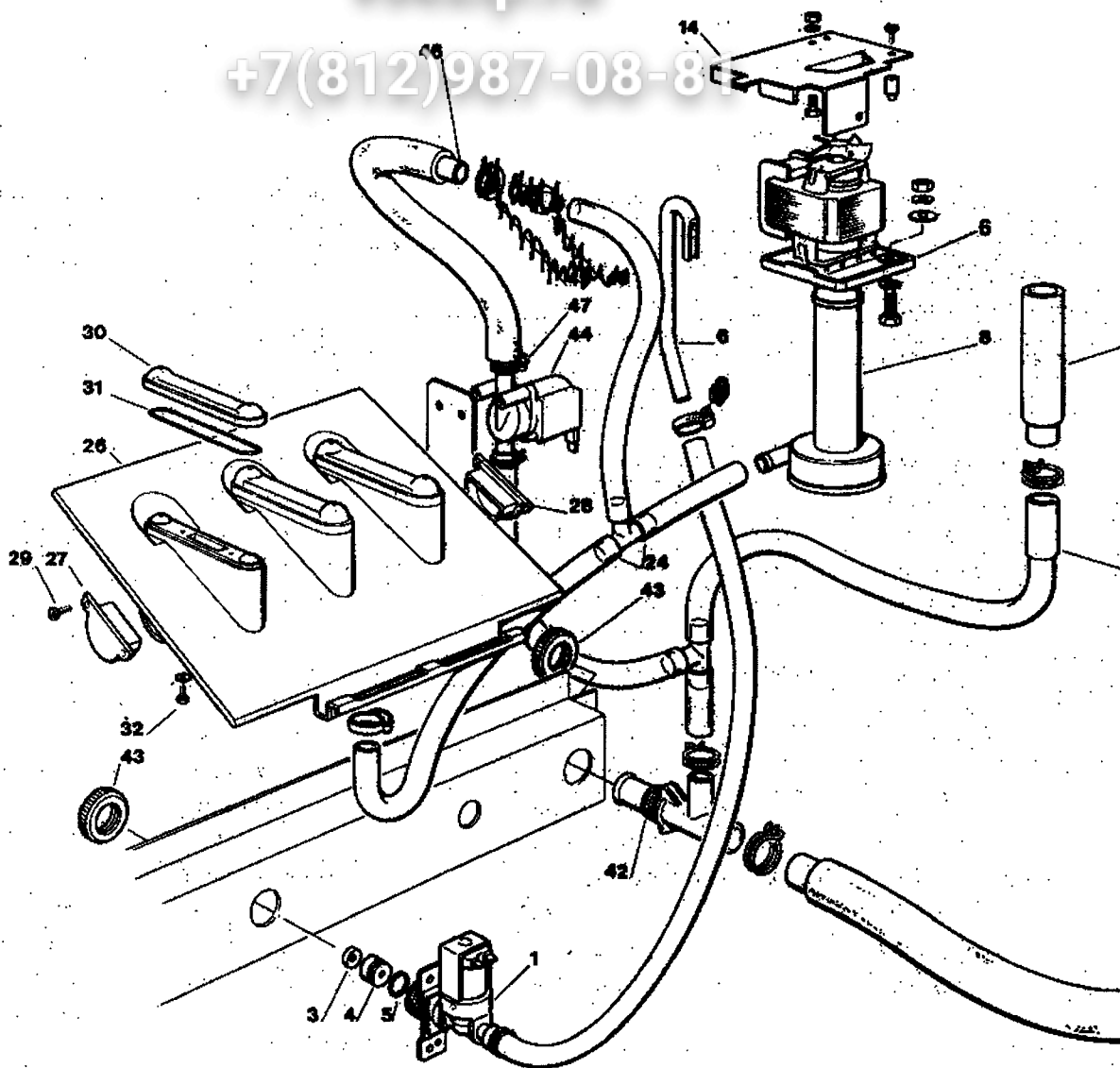
**ACM 45 - REFRIGERANT SYSTEM WATER COOLED - SISTEMA REFRIGERANTE RAFFREDDATO
CIRCUIT FRIGORIFIQUE REFROID. PAR EAU - WASSERGEKÜHLT GEFRIERSYSTEM**

ITEM NO POS NO REP. NO REF. NO	PART NO CODICE REFERENCE STUECK NR	DESCRIPTION	DESCRIZIONE	DESIGNATION
1	670097 01	COMPRESSOR ASSY	ASSIEME COMPRESSORE	ENSSEMBLE COMPRESSEUR
5	620058 54	PROTECTOR	PROTETTORE	PROTECTEUR
6	620057 32	RELAY	RELE	RELAIS
7	620187 23	START CAPACITOR	CONDENSATORE D'AVVIAMENTO	CAPACITE DE DEMARRAGE
8	650109 00	VALVE BODY	CORPO VALVOLA	CORPS DE VANNE
9	670012 00	VALVE PISTON	PISTONCINO VALVOLA	PISTON
10	650108 00	VALVE CAP	CAPPUCCIO VALVOLA	CAPUCHON DE VANNE
11	620389 00	WATER COOLED CONDENSER	CONDENSATORE AD ACQUA	CONDENSEUR A EAU
14	640022 01	FLOW CONTROL	CONTROLLO DI FLUSSO	CONTROLE DE DEBIT
15	733185 00	FLOW CONTROL BODY	CORPO CONTROLLO DI FLUSSO	CORPS CONTROLE DE DEBIT
16	640110 00	O RING	GUARNIZIONE O R	JOINT TORIQUE
17	650105 00	WATER INLET VALVE	VALVOLA INGRESSO ACQUA	VANNE ARRIVEE EAU
18	281900 01	PLASTIC TUBE-PER METER	TUBO IN PLASTICA-PER METRO	TUYAU EN PLASTIQUE-POUR
19	281900 01	PLASTIC TUBE-PER METER	TUBO IN PLASTICA-PER METRO	TUYAU EN PLASTIQUE-POUR
21	680291 00	3/4 GAS WATER DRAIN FITTING	SCARICO ACQUA DA 3/4 GAS	RACCORD EVACUATION 3/4"
22	400031 00	FIBER WASHER	RONDELLA IN FIBRA	RONDELLE EN FIBRE
23	400030 01	NUT	DADO	ECROU
24	630007 01	MECHANICAL FILTER	FILTRO MECCANICO	FILTRE MECANIQUE
25	620306 13 620306 28	HOT GAS VALVE ASSY HOT GAS VALVE COIL	ASSIEME VALVOLA GAS CALDO BOBINA VALVOLA GAS CALDO	ENSSEMBLE VANNE GAZ CHAUD BOBINE VANNE GAZ CHAUD
26	830063 04	DRIER	FILTRO DEUMIDIFICATORE	FILTRE DESHYDRATEUR
27	784297 08	EVAPORATOR ASSY	ASSIEME EVAPORATORE	ENSSEMBLE EVAPORATEUR
28	784294 01	SUCTION LINE/ACCUMULATOR	ACCUMUL. E LINEA ASPIRAZIONE	ENS. ASPIRATION/ACCUMUL.
29	620075 02	PRESSURE CONTROL	PRESSOSTATO	PRESSOSTAT

Зип-Общепит

vsezip.ru

+7(812)987-08-81



ACM 55 - WATER SYSTEM - CIRCUITO IDRAULICO - CIRCUIT HYDRAULIQUE - W

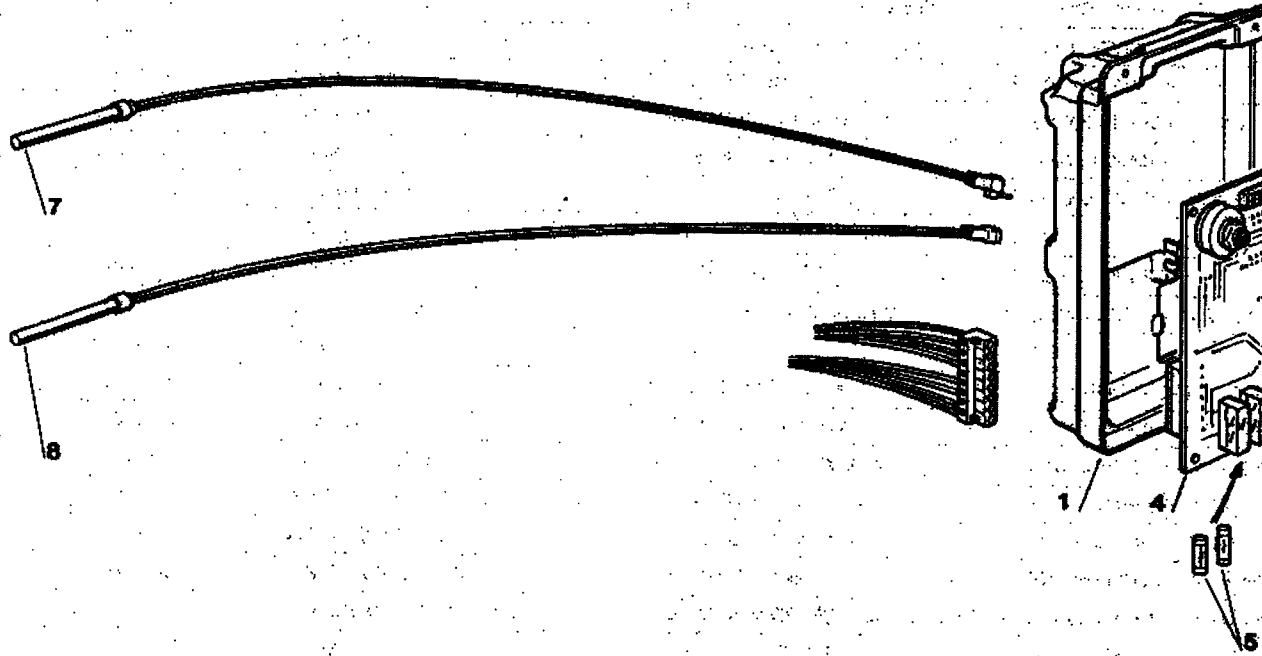
vsezip.ru

ITEM NO POS NO REP. NO REF. NO	PART NO CODICE REFERENCE STUECK NR	DESCRIPTION	DESCRIZIONE	DESIGNATION
1	650105 00	WATER INLET VALVE	VALVOLA INGRESSO ACQUA	VANNE ARRIVEE EAU
2	261900 01	WATER INLET TUBE-PER METER	TUBO INGRESSO ACQUA-PER METRO	TUYAU ARRIVEE EAU-PO
3	640022 01	FLOW CONTROL	CONTROLLO DI FLUSSO	CONTROLE DE DEBIT
4	733185 00	FLOW CONTROL BODY	CORPO CONTROLLO DI FLUSSO	CORPS CONTROLE DE D
5	640110 00	O RING	GUARNIZIONE O R	JOINT TORIQUE
6	734481 06	WATER INLET COPPER PIPE	TUBO DI RAME INGRESSO ACQUA	TUYAU ENTREE EAU CUI
8	793113 27	WATER PUMP ASSY	ASSIEME POMPA	ENSAMBLE POMPE A EAU
14	723154 00	METAL BRACKET	SUPPORTO IN METALLO	SUPPORT METALLIQUE
24	610185 00	WATER TUBE - PUMP TO SPRAY SYSTEM	TUBO MANDATA POMPA	TUYAU POMPE PLAQUE D'
26	793129 03	SPRAY PLATEN ASSY	ASSIEME SPRUZZATORE	ENS. PLAQUE PULVERISA
27	660520 05	PLASTIC PLUG	TAPPO IN PLASTICA	BOUCHON EN PLASTIQUE
28	660520 04	PLASTIC PLUG	TAPPO IN PLASTICA	BOUCHON EN PLASTIQUE
29	470017 00	SCREW	VITE	VIS
30	660519 02	PLASTIC COVER	COPERCHIO IN PLASTICA	COUVERCLE EN PLASTIQ
31	640041 20	O RING	GUARNIZIONE O R	JOINT TORIQUE
32	470017 00	SCREW	VITE	VIS
34	660211 01	DRAIN FILTER	FILTRO SCRICO ACQUA	FILTRE EVACUATION EAU
35	640134 00	O RING	GUARNIZIONE O R	JOINT TORIQUE
36	660219 01	DRAIN FITTING	RACCORDO DI SCARICO	RACCORD EVACUATION
37	610148 10	DRAIN TUBE	TUBO SCARICO	TUYAU EVACUATION
38	660387 01	OVERFLOW STAND PIPE	TUBO TROPPO PIENO	TROP PLEIN
39	610180 03	OVERFLOW DRAIN TUBE	TUBO SCARICO TROPPO PIENO	TUYAU EVACUATION TRO
42	660224 00	DRAIN T FITTING	RACCORDO DI SCARICO	RACCORD T D'EVACUATI
43	660535 00	PLASTIC RING NUT	GHIERA IN PLASTICA	COLLIER DE SERRAGE EN
44	620406 01	WATER DRAIN VALVE	VALVOLA SCARICO ACQUA	VANNE VIDANGE EAU
46	610173 00	TUBE	TUBO	TUYAU
48	660534 00	PLASTIC FITTING	RACCORDO DI SCARICO	RACCORD EVACUATION
49	660535 00	PLASTIC RING NUT	GHIERA IN PLASTICA	COLLIER DE SERRAGE EN

Зип-Общепит

vsezip.ru

+7(812)987-08-81



ACM 45 - P.C. BOARD AND SENSOR ASSY - SCHEDE ELETTRONICA E SEN
 ENS. CARTE ELECTRONIQUE ET DETECTEURS - ELEKTRONISCHE KARTE UND TEMPERATU

vsezip.ru

+7(812)987-08-81

ITEM NO POS NO REP. NO REF. NO	PART NO CODICE REFERENCE STUECK NR	DESCRIPTION	DESCRIZIONE	DESIGNATION
1	660546 00	PLASTIC CONTROL BOX	SCATOLA ELETTRICA	BOITE ELECTRIQUE
2	660547 00	CONTROL BOX COVER	COPERCHIO SCATOLA ELETTRICA	COUVERCLE BOITE DE COM
4	620403 16	P. C. BOARD ASSY	ASSIEME SCHEDE ELETTRONICA	ENSAMBLE CARTE ELECTRO
5	630015 10	FUSE (16 A)	FUSIBILE (16 A)	FUSIBLE (16 A)
6	630015 11	FUSE (50 mA)	FUSIBILE (50 mA)	FUSIBLE (50 mA)
7	620404 10	EVAPORATOR TEMP. SENSOR	SENSORE TEMP. EVAPORATORE	CAPTEUR TEMP. EVAPORATI
8	620404 06	ICE LEVEL CONTROL SENSOR	SENSORE CONTR. LIVELLO GHIACCIO	DETECTEUR NIVEAU GLACE

Зип Общепит

vsezip.ru

ACM 45 - COMPRESSOR CHART - TABELLA COMPRESSORI - TABLEAU COMPRESSEUR - КОМПРЕССОРЫ

+7(812)987-08-81

MODEL MODELLO MODELE MODELL	VOLTS TENSIONE TENSION SPANNUNG	COMPRESSOR MODEL MOD. COMPRESSORE TYPE COMPRESSEUR KOMPRESSOR TYP	COMPRESSOR COMPRESSORE COMPRESSEUR KOMPRESSOR	RELAY RELE RELAIS RELAIS	PROT PROT PROT SCHUTZ
ACM 45	115/60/1				
ACM 45	230/60/1	U.H. L 45 TN	670097.06	62005733	6200
ACM 45	220/50/1	U.H. L 45 TN	670097 01	620057 32	6200

ACM 45 - ELECTRIC COMPONENTS CHART - TABELLA COMPONENTI ELETTRICI TABLEAU COMPOSANTS ELECTRIQUE - ELEKTRISCHEKARTE

MODEL MODELLO MODELE MODELL	VOLTS TENSIONE TENSION SPANNUNG	WATER PUMP POMPA POMPE A EAU WASSER PUMPE	FAN MOTOR ONLY MOTORE VENTILATORE MOTEUR VENTILATEUR LUFTER MOTOR	WATER INLET VALVE VALV. INGR. ACQUA V.E.M. ARRIVEE EAU WASSEREIN.VENTIL	HOT GAS VALVOLA V.E.M. GAS HEISSGAS
ACM 45	115/60/1	793113 01	620003 11	650105 01	6203
ACM 45	230/60/1	793113 02	620003 10	650105 00	6203
ACM 45	220/50/1	793113 27	620003 10	650105 00	6203