

Зип Общепит

SCOTSMAN

vsezip.ru

+7(812)987-08-81

®

ELECTRONIC CUBER WITH STORAGE

AC 225

R 404 A VERSION

**SPARE PARTS LIST
CATALOGO RICAMBI
CATALOGUE PIÈCES DÉTACHÉES
ERSATZTEILENKATALOG**

Зип Общепит

vsezip.ru

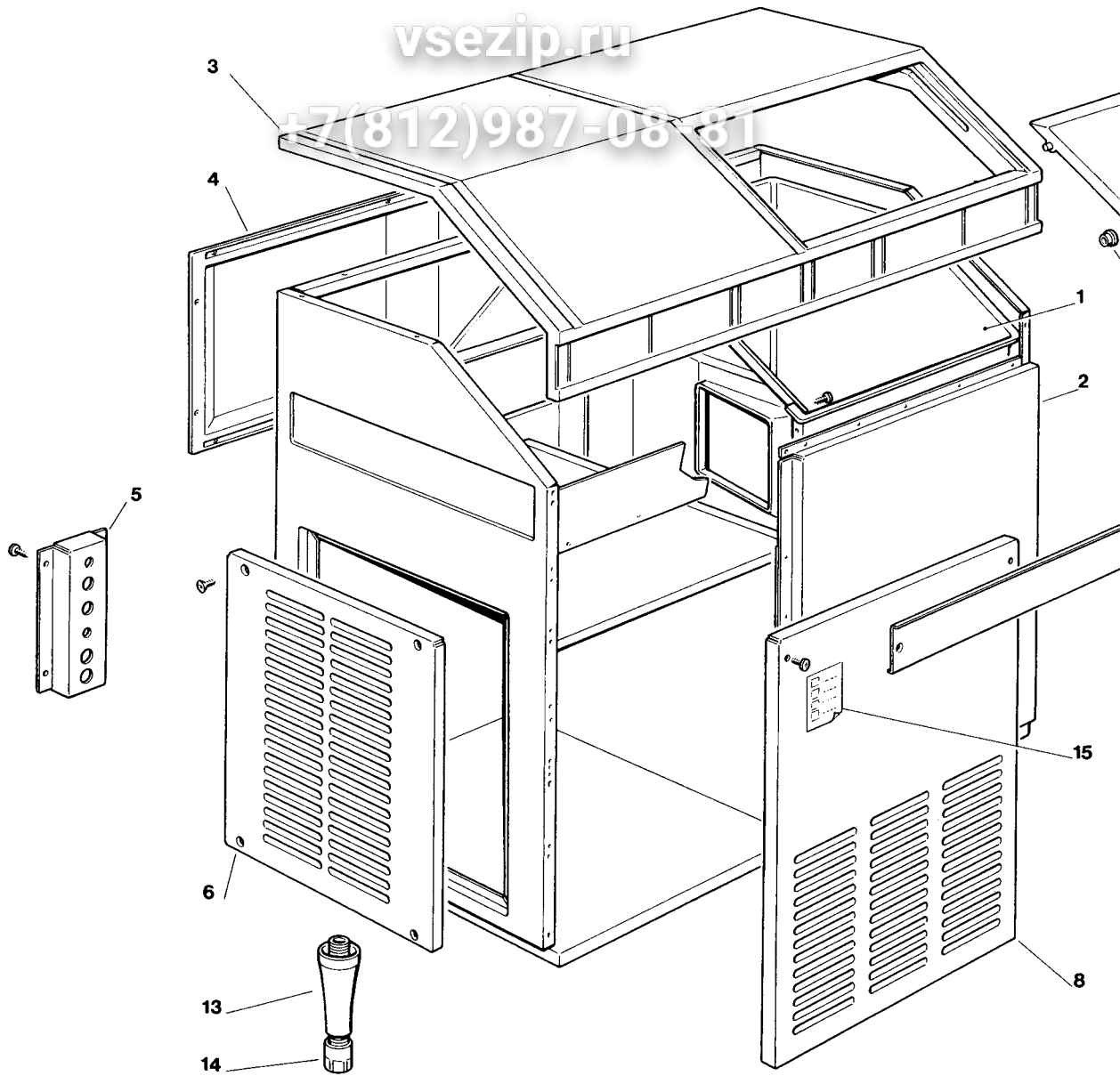
+7(812)987-08-81

PAGE PAGINA PAGE SEITE	TABLE OF CONTENTS	INDICE	TABLE DES MATIERES
1	TABLE OF CONTENTS	INDICE	TABLE DES MATIÈRES
2-3	UNIT PANELS	ASSIEME MOBILE	ENS. CARROSSERIE
4-5	REFRIGERANT SYSTEM AIR COOLED	SISTEMA REFRIGERANTE RAFFR. AD ARIA	CIRCUIT FRIGORIFIQUE REFROID. A AIR
6-7	REFRIGERANT SYSTEM WATER COOLED	SISTEMA REFRIGERANTE RAFFR. AD ACQUA	CIRCUIT FRIGORIFIQUE REFROID. A EAU
8-9	WATER SYSTEM	CIRCUITO IDRAULICO	CIRCUIT HYDRAULIQUE
10-11	P.C. BOARD AND SENSOR ASSY	SCHEDE ELETTRONICA E SENSORI	ENS. CARTE ELECTRONIQUE ET DETECTEURS
12	COMPRESSOR AND ELECTRIC COMPONENT CHARTS	TABELLA COMPRESSORI E COMPONENTI ELETTRICI	LISTE DES COMPRESSEURS ET COMPOSANTS ELECTRIQUE

Зип-Общепит

vsezip.ru

+7(812)987-08 81



Зип-Общепит

AC 225 - UNIT PANELS - ASSIEME MOBILE - ENS. CARROSSERIE - MACHINE G

vsezip.ru

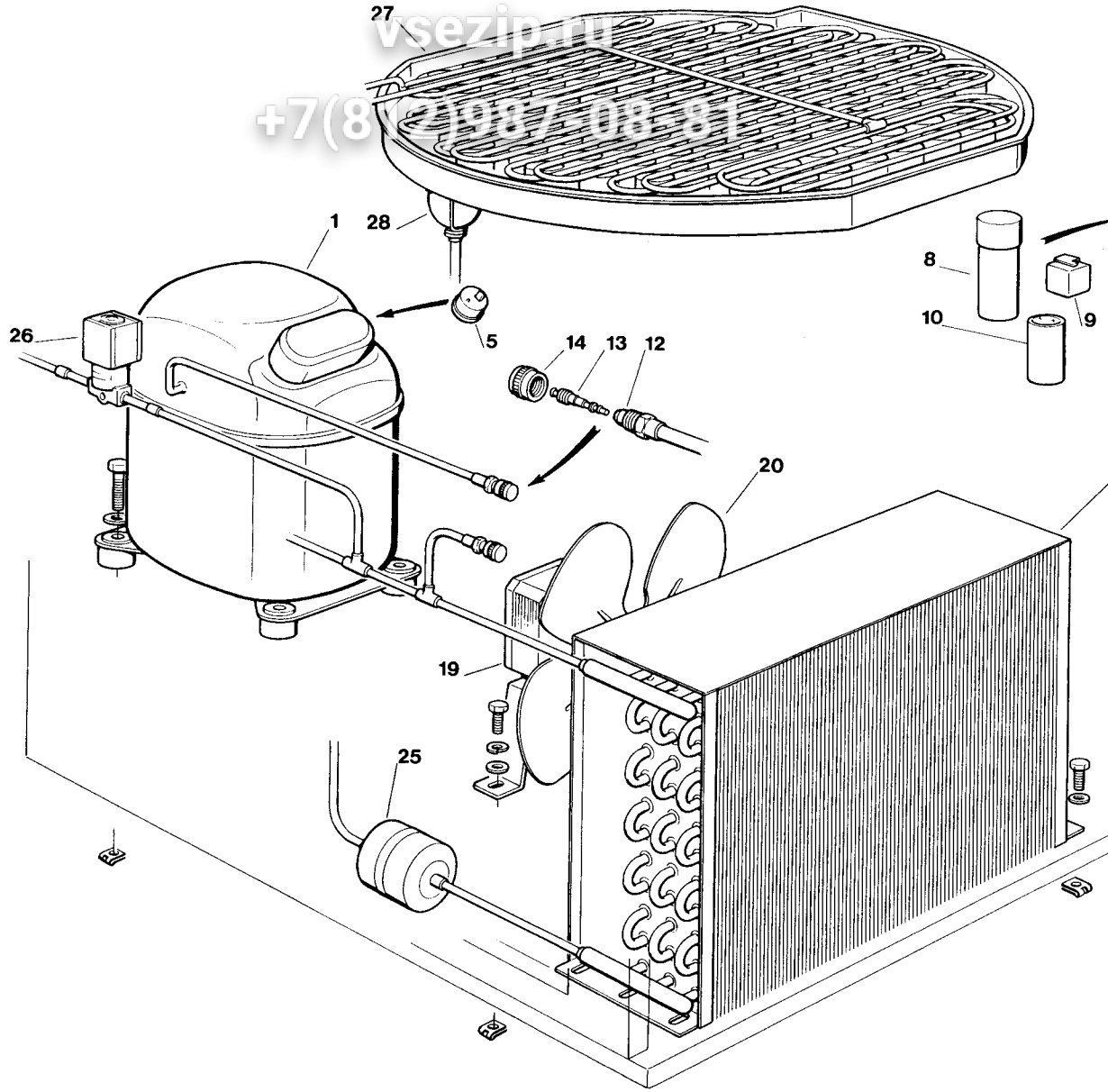
ITEM NO POS NO REP. NO REF. NO	PART NO CODICE REFERENCE STUECK NR	DESCRIPTION	DESCRIZIONE	DESIGNATION
1	660502 00	STORAGE BIN	CONTENITORE CHIAVIO	CABINE STOCKAGE
2	781407 00	UNIT FRAME S.S.	ASSIEME TELAIO INOX	ENSAMBLE CHASSIS ACIER
3	660490 08	PLASTIC TOP PANEL	PANNELLO SUPERIORE IN PLASTICA	PANNEAU SUPERIEUR EN PL
4	660503 00 702232 00	PLASTIC REAR PANEL LOWER REAR PANEL	PANNELLO POSTERIORE IN PLASTICA PANNELLO POSTERIORE INFERIORE	PANNEAU ARRIERE EN PLAS PANNEAU ARRIERE INFERIE
5	701993 03	METAL BRACKET FOR FITTINGS S.S.	SUPPORTO ATTACCHI ACC. INOX	SUPPORT DE RACCORDS S
6	701808 01	LEFT SIDE PANEL S.S.	PANNELLO LATERALE SX ACC. INOX	PANNEAU GAUCHE INOX
7	721437 06 R	S.S. FRONT STRIPE	BANDA FRONTALE ACC. INOX	BANDE ENTRETOISE ACIER
8	781309 13	FRONT PANEL S.S.	PANNELLO FRONTALE ACC. INOX	PANNEAU AVANT ACIER INO
9	792011 02 R	BIN DOOR ASSY	ASSIEME SPORTELLO	ENSAMBLE PORTE CABINE
10	660286 00	DOOR RUNNER - BUSHING	BUSSOLA DI SCORRIMENTO	BAGUE DE COULISSAGE PO
13-14	650670 00	LEG + LEG LEVELLER KIT (4 PCS)	KIT PIEDINO + VITE DI REGOLAZIONE	KIT PIED + VIS DE REGLAGE DI
15	650624 01	LABEL	ADESIVO SEGNALETICO	ETIQUETTE

Зип Общежит

27

vsezip.ru

+7(812)987-08-81



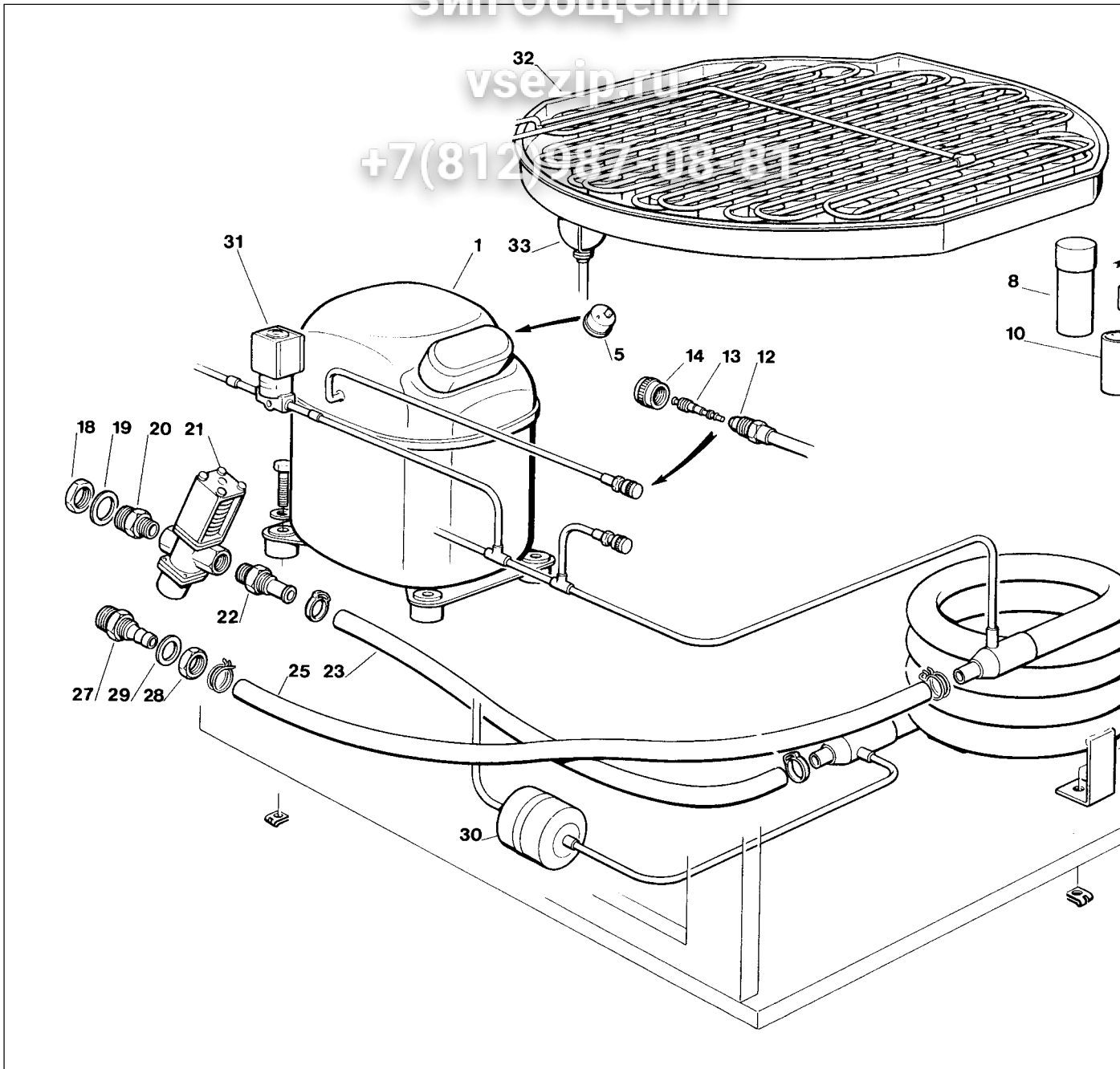
AC 225 - REFRIGERANT SYSTEM AIR COOLED - SISTEMA REFRIGERANTE RA
CIRCUIT FRIGORIFICO REFROID. PAR AIR - LUFTGEKÜHLT GEFRIERSY

ITEM NO POS NO REP. NO REF. NO	PART NO CODICE REFERENCE STUECK NR	DESCRIPTION	DESCRIZIONE	DESIGNATION
1	670099 04	COMPRESSOR ASSY	ASSIEME COMPRESSORE	ENSAMBLE COMPRESSEUR
5	620058 78	PROTECTOR	PROTETTORE	PROTECTEUR
8	620167 21	RUN CAPACITOR	CONDENSATORE DI MARCIA	CAPACITÉ PERMANENCE
9	620057 46	RELAY	RELE D'AVVIAMENTO	RELAIS
10	620167 01	START CAPACITOR	CONDENSATORE D'AVVIAMENTO	CAPACITÉ DE DEMARRAGE
12	650109 00	VALVE BODY	CORPO VALVOLA	CORPS DE VANNE
13	670012 00	VALVE PISTON	PISTONCINO VALVOLA	PISTON
14	650106 00	VALVE CAP	CAPPUCCIO VALVOLA	CAPUCHON DE VANNE
15	620436 00	AIR COOLED CONDENSER	CONDENSATORE AD ARIA	CONDENSEUR A AIR
19	620419 04	FAN MOTOR	MOTORE VENTILATORE	MOTEUR DU VENTILATEUR
20	620419 34	FAN BLADE	VENTOLA	HELICE
25	670006 01	DRIER	FILTRO DEUMIDIFICATORE	FILTRE DESHYDRATEUR
26	620306 46 620306 48	HOT GAS VALVE ASSY HOT GAS VALVE COIL	ASSIEME VALVOLA GAS CALDO BOBINA VALVOLA GAS CALDO	ENSAMBLE VANNE GAZ CHA BOBINE VANNE GAZ CHAUD
27	784434 00 784435 00 784436 00	EVAPORATOR ASSY-ACL EVAPORATOR ASSY-ACM EVAPORATOR ASSY-ACS	ASSIEME EVAPORATORE-ACL ASSIEME EVAPORATORE-ACM ASSIEME EVAPORATORE-ACS	ENSAMBLE ÉVAPORATEUR- ENSAMBLE ÉVAPORATEUR- ENSAMBLE ÉVAPORATEUR-
28	784452 01	SUCTION LINE/ACCUMULATOR	ACCUMUL. E LINEA ASPIRAZIONE	ENS. ASPIRATION/ACCUMUL

Зип-Общепит

vsezip.ru

+7(812)987-08-81



Зип-Общепит

AC 225 - REFRIGERANT SYSTEM WATER COOLED - SISTEMA REFRIGERANTE RAFFRESCATO A CIRCUI

CIRCUIT FRIGORIFIQUE REFROID. PAR EAU - WASSERGEKÜHLT GEFRIERSYSTEM

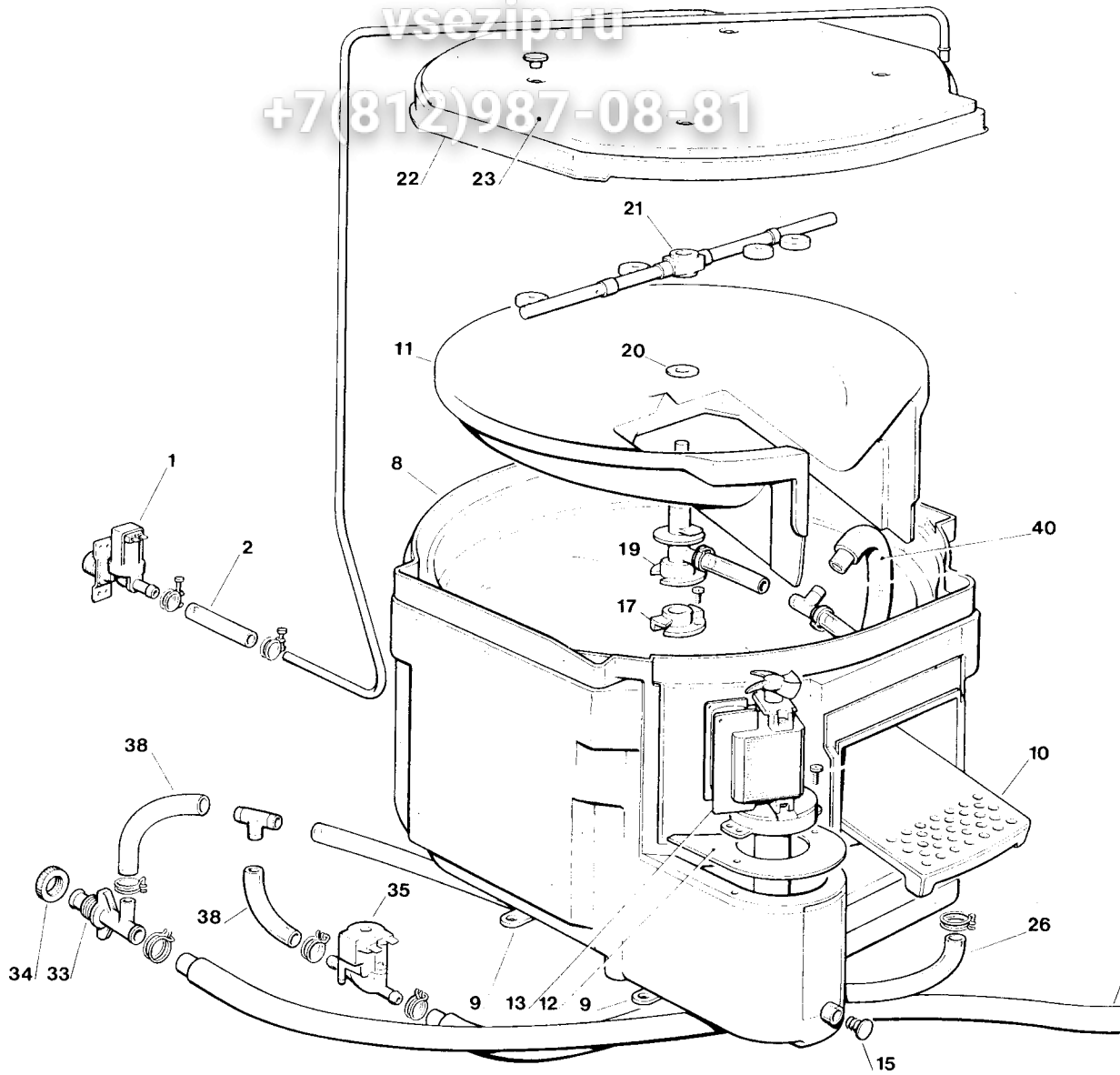
vsezip.ru

ITEM NO POS NO REP. NO REF. NO	PART NO CODICE REFERENCE STUECK NR	DESCRIPTION	DESCRIZIONE	DESIGNATION
1	670099 04	COMPRESSOR ASSY	ASSIEME COMPRESSORE	ENSAMBLE COMPRESSEUR
5	620058 78	PROTECTOR	PROTETTORE	PROTECTEUR
8	620167 21	RUN CAPACITOR	CONDENSATORE DI MARCIA	CAPACITÉ PERMANENCE
9	620057 46	RELAY	RELE D'AVVIAMENTO	RELAIS
10	620167 01	START CAPACITOR	CONDENSATORE D'AVVIAMENTO	CAPACITÉ DE DEMARRAGE
12	650109 00	VALVE BODY	CORPO VALVOLA	CORPS DE VANNE
13	670012 00	VALVE PISTON	PISTONCINO VALVOLA	PISTON
14	650106 00	VALVE CAP	CAPPUCCIO VALVOLA	CAPUCHON DE VANNE
15	620331 00	WATER COOLED CONDENSER	CONDENSATORE AD ACQUA	CONDENSEUR A EAU
18	400053 00	NUT	DADO	ECROU
19	400031 01	FIBER WASHER	RONDELLA IN FIBRA	RONDELLE EN FIBRE
20	733204 00	WATER INLET FITTING	RACCORDO INGRESSO ACQUA	RACCORD ARRIVÉE EAU
21	620111 00	WATER REGULATING VALVE	VALVOLA PRESSOSTATICA	VANNE REG. EAU PRESSOS
22	733173 00	WATER OUTLET FITTING	PORTAGOMMA	RACCORD SORTIE EAU
23	281900 03	PLASTIC TUBE-PER METER	TUBO IN PLASTICA-PER METRO	TUYAU EN PLASTIQUE-POUR
25	281900 03	PLASTIC TUBE-PER METER	TUBO IN PLASTICA-PER METRO	TUYAU EN PLASTIQUE-POUR
27	660291 00	3/4 GAS WATER DRAIN FITTING	SCARICO ACQUA DA 3/4 GAS	RACCORD EVACUATION 3/4
28	400030 01	NUT	DADO	ECROU
29	400031 00	FIBER WASHER	RONDELLA IN FIBRA	RONDELLE EN FIBRE
30	670006 01	DRIER	FILTRO DEUMIDIFICATORE	FILTRE DESHYDRATEUR
31	620306 46 620306 48	HOT GAS VALVE ASSY HOT GAS VALVE COIL	ASSIEME VALVOLA GAS CALDO BOBINA VALVOLA GAS CALDO	ENSAMBLE VANNE GAZ CHA BOBINE VANNE GAZ CHAUD
32	784434 00 784435 00 784436 00	EVAPORATOR ASSY-ACL EVAPORATOR ASSY-ACM EVAPORATOR ASSY-ACS	ASSIEME EVAPORATORE-ACL ASSIEME EVAPORATORE-ACM ASSIEME EVAPORATORE-ACS	ENSAMBLE ÉVAPORATEUR- ENSAMBLE ÉVAPORATEUR- ENSAMBLE ÉVAPORATEUR-
33	784452 01	SUCTION LINE/ACCUMULATOR	ACCUMUL. E LINEA ASPIRAZIONE	ENS. ASPIRATION:ACCUMUL

Зип Ощепит

vsezip.ru

+7(812)987-08-81



AC 225 - WATER SYSTEM - CIRCUITO IDRAULICO - CIRCUIT HYDRAULIQUE - WAS

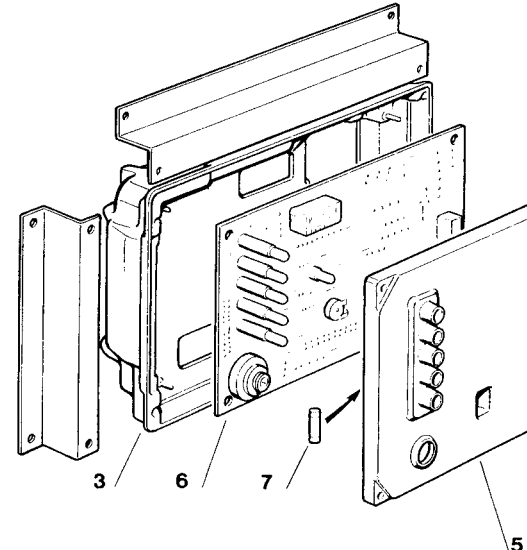
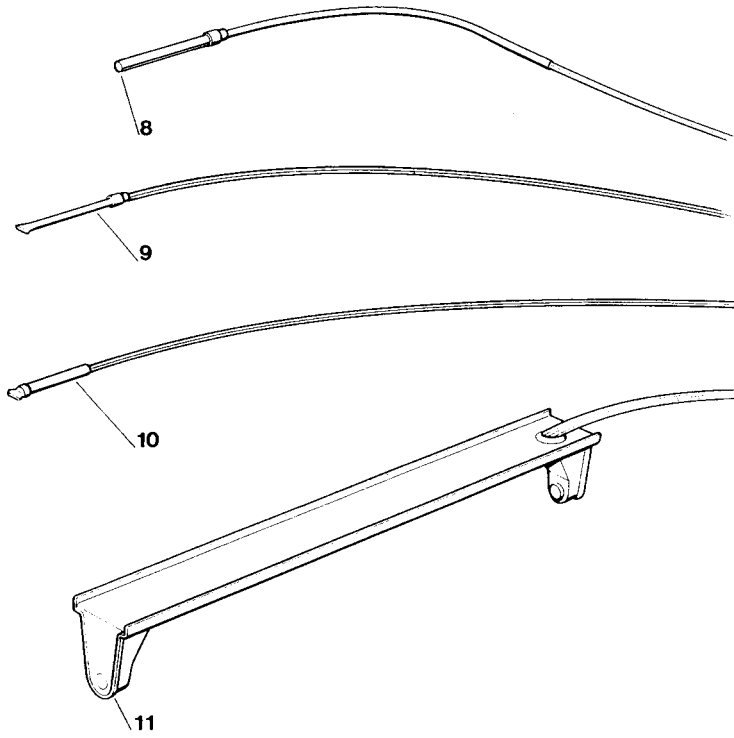
vsezip.ru

ITEM NO POS NO REP. NO REF. NO	PART NO CODICE REFERENCE STUECK NR	DESCRIPTION	DESCRIZIONE	DESIGNATION
1	650105 54	WATER INLET VALVE	VALVOLA INGRESSO ACQUA	VANNE ARRIVÉE D'EAU
2	281900 04	PLASTIC TUBE-PER METER	TUBO IN PLASTICA-PER METRO	TUYAU EN PLASTIQUE-POUR
8	784344 00 R	SUMP & FREEZING CHAMBER	INVOLUCRO EVAPORATORE	ENCEINTE ÉVAPORATEUR
9	660489 00	EVAPORATOR BRACKET	SUPPORTO EVAPORATORE	SUPPORT EVAPORATEUR
10	660488 00	REMOVABLE INNER BOTTOM	SCIVOLO INTERNO AMOVIBILE	PLAQUE CHUTE DEMONTAB
11	660487 00	INNER BOTTOM & CHUTE	FONDO & SCIVOLO MOBILE	PLAQUE DE FOND ET CHUTE
12	723132 03	METAL BRACKET	SUPPORTO IN METALLO	PLAQUE SUPPORT POMPE
13	62043000	WATER PUMP ASSY	ASSIEME POMPA	ENSAMBLE POMPE A EAU
15	650550 00	PLASTIC PLUG	TAPPO IN PLASTICA	BOUCHON EN PLASTIQUE
17	660483 00	JET BEARING FLANGE	FLANGIA RACCORDO CENTRALE	BRIDE AXE PALIER DE RAMPE
19	660475 00	JET BEARING	RACCORDO CENTRALE	AXE PALIER DE RAMPE
20	440013 06	THRUST WASHER	RONDELLA DI RASAMENTO	RONDELLE
21	793127 00	SPRAY BAR	BARRA SPRUZZANTE	RAMPE PULVERISATION EAU
22	660491 00	EVAPORATOR COVER	COPERCHIO EVAPORATORE	COUVERCLE ÉVAPORATEUR
23	650538 00	INSULATION	ISOLAMENTO	ISOLATION
27	660211 01	BIN DRAIN STRAINER	FILTRO SCARICO CONTENITORE	FILTRE RACCORD ECOULEM
28	640134 00	O RING	GUARNIZIONE O R	JOINT TORIQUE
29	660213 01	ELBOW FITTING	RACCORDO A GOMITO	RACCORD D'ÉCOULEMENT
31	610159 04	BIN DRAIN TUBE	TUBO SCARICO CONTENITORE	TUYAU ÉVACUATION EAU
33	660224 00	WATER DRAIN FITTING	RACCORDO SCARICO ACQUA	RACCORD ÉVACUATION EAU
34	660535 00	PLASTIC RING NUT	GHIERA IN PLASTICA	COLLIER DE SERRAGE EN P
35	620406 01	WATER DRAIN VALVE	VALVOLA SCARICO ACQUA	VANNE VIDANGE EAU
38	610182 02	SUMP DRAIN TUBE ASSY	ASS. TUBI SCARICO	ENS. TUYAUX EVAC.
40	610188 00	PLASTIC HOSE	TUBO IN PLASTICA	TUYAU EN PLASTIQUE

Зип-Общепит

vsezip.ru

+7(812)987-08-81



AC 225 - P.C. BOARD AND SENSOR ASSY - SCHEDA ELETTRONICA E SENSORI - ENS. CARTE ELE

ELEKTRONISCHE KARTE UND TEMPERATURFUEHLERENHEIT

ITEM NO POS NO REP. NO REF. NO	PART NO CODICE REFERENCE STUECK NR	DESCRIPTION	DESCRIZIONE	DESIGNATION
3	660546 00	PLASTIC CONTROL BOX	SCATOLA ELETTRICA	BOITE ELECTRIQUE
5	660547 00	CONTROL BOX COVER	COPERCHIO SCATOLA ELETTRICA	COUVERCLE BOITE DE COM
6	620403 18 620403 19	P. C. BOARD ASSY RECYCLED P.C. BOARD	ASSIEME SCHEDA ELETTRONICA SCHEDA ELETTRONICA RIC.	ENSAMBLE CARTE ELECTRO CARTE ELECTRONIQUE RIC.
7	630015 09 630015 10	FUSE (100 mA) FUSE (16 A)	FUSIBILE (100 mA) FUSIBILE (16 A)	FUSIBLE (100 mA) FUSIBLE (16 A)
8	620404 10	EVAPORATOR TEMP. SENSOR	SENSORE TEMP. EVAPORATORE	CAPTEUR TEMP. ÉVAPORAT
9	620404 01	CONDENSER TEMP. SENSOR	SENSORE TEMP. CONDENSATORE	CAPTEUR TEMP. CONDENSE
10	620404 02	AMBIENT TEMP. SENSOR	SENSORE TEMP. AMBIENTE	CAPTEUR TEMP. AMBIANCE
11	650674 00	ICE LEVEL CONTROL ASSY	ASS. CONTR. LIVELLO GHIACCIO	ENS. DETECTEUR NIVEAU G
12	630119 00	CONTACTOR	TELERUTTORE	CONTACTEUR

AC 225 - COMPRESSOR CHART - TABELLA COMPRESSORI - TABLEAU COMPRESSEUR - КОМПРЕССОРЫ

MODEL MODELLO MODELE MODELL	VOLTS TENSIONE TENSION SPANNUNG	COMPRESSOR MODEL MOD. COMPRESSORE TYPE COMPRESSEUR KOMPRESSOR TYP	COMPRESSOR COMPRESSORE COMPRESSEUR KOMPRESSOR	RELAY RELÉ RELAIS RELAIS	PROTECTOR PROTETTORE PROTECTEUR SCHUTZGERAT	STARTER CAPACITANCE STATOR
AC 225	115/60/1	U.H. CAJ 9510 Z	670099 14	620168 20	620058 53	
AC 225	230/60/1	U.H. CAJ 9510 Z	670099 09	620057 50	620058 81	
AC 225	230/50/1	U.H. CAJ 9510 Z	670099 04	620057 46	620058 78	

AC 225 - ELECTRIC COMPONENTS CHART - TABELLA COMPONENTI ELETTRICI - TABLEAU COMPOSANTS ELECTRIQUE - ELEKTRISCHEKARTE

MODEL MODELLO MODELE MODELL	VOLTS TENSIONE TENSION SPANNUNG	CONTACTOR TELERUTTORE CONTACTEUR SCHALTSCHÜTZ	WATER PUMP POMPA POMPE A EAU WASSER PUMPE	FAN MOTOR ONLY MOTORE VENTILATORE MOTEUR VENTILATEUR LUFTER MOTOR	WATER INLET VALVE VALV. INGR. ACQUA V.E.M. ARRIVÉE EAU WASSEREIN. VENTIL	HOT GAS VALVE COIL BOBINA VALVOLA GAS CALDO BOBINE V.E.M. GAZ CHAUDS HEISSGAZ VENTIL SPULE	TEMPERATURE SENSOR
AC 225	115/60/1	630124 07	620430 01	620419 05	650105 03	620306 17	
AC 225	230/60/1	630119 00	620430 02	620419 04	650105 54	620306 48	
AC 225	230/50/1	630119 00	620430 00	620419 04	650105 54	620306 48	