

# AC 125 B & C - AC 175

Electronic cuber with storage

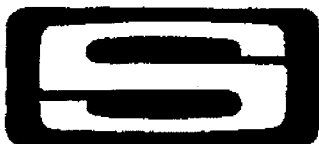
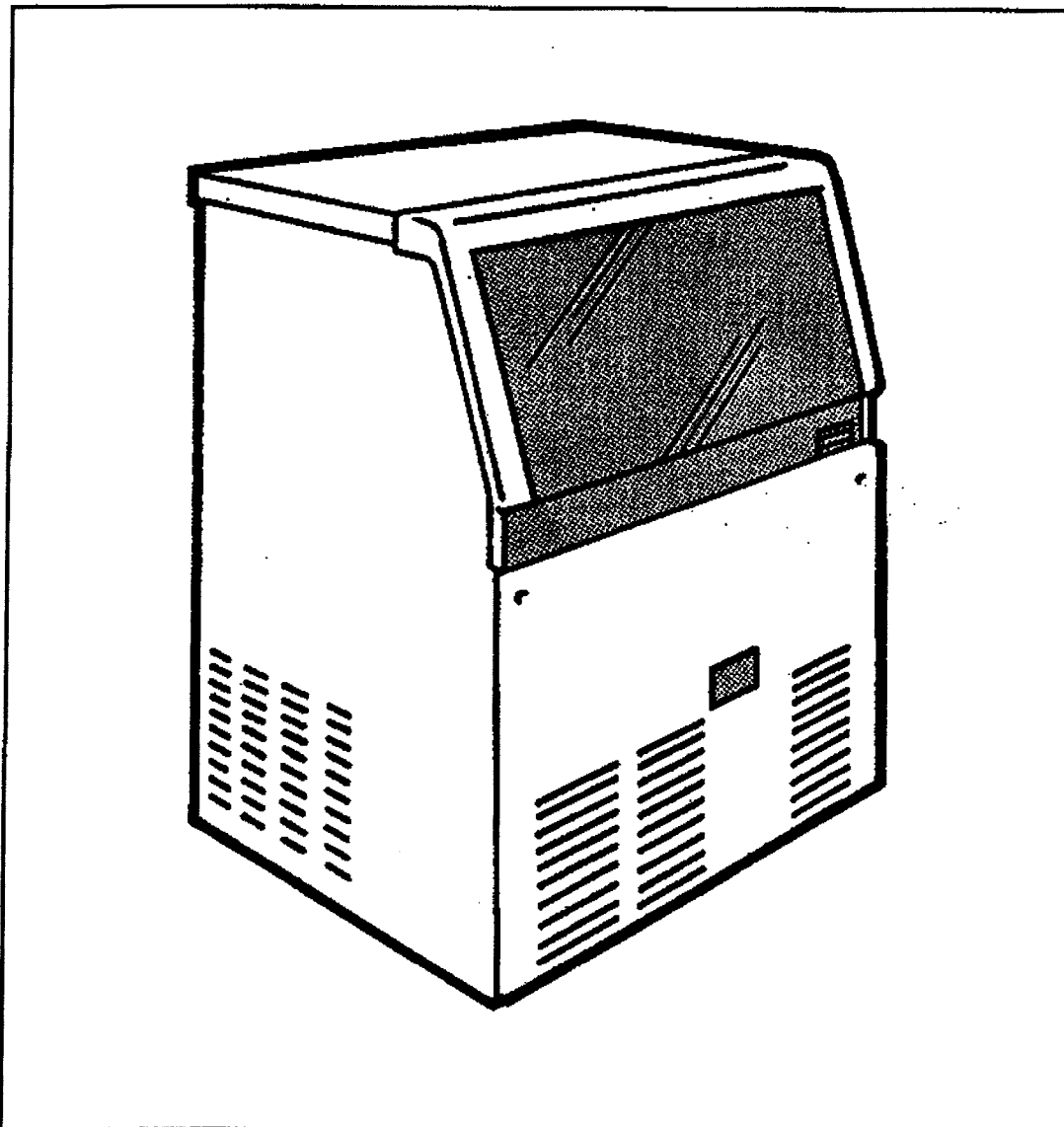
+7(812)987-08-81

Spare parts list

Catalogo ricambi

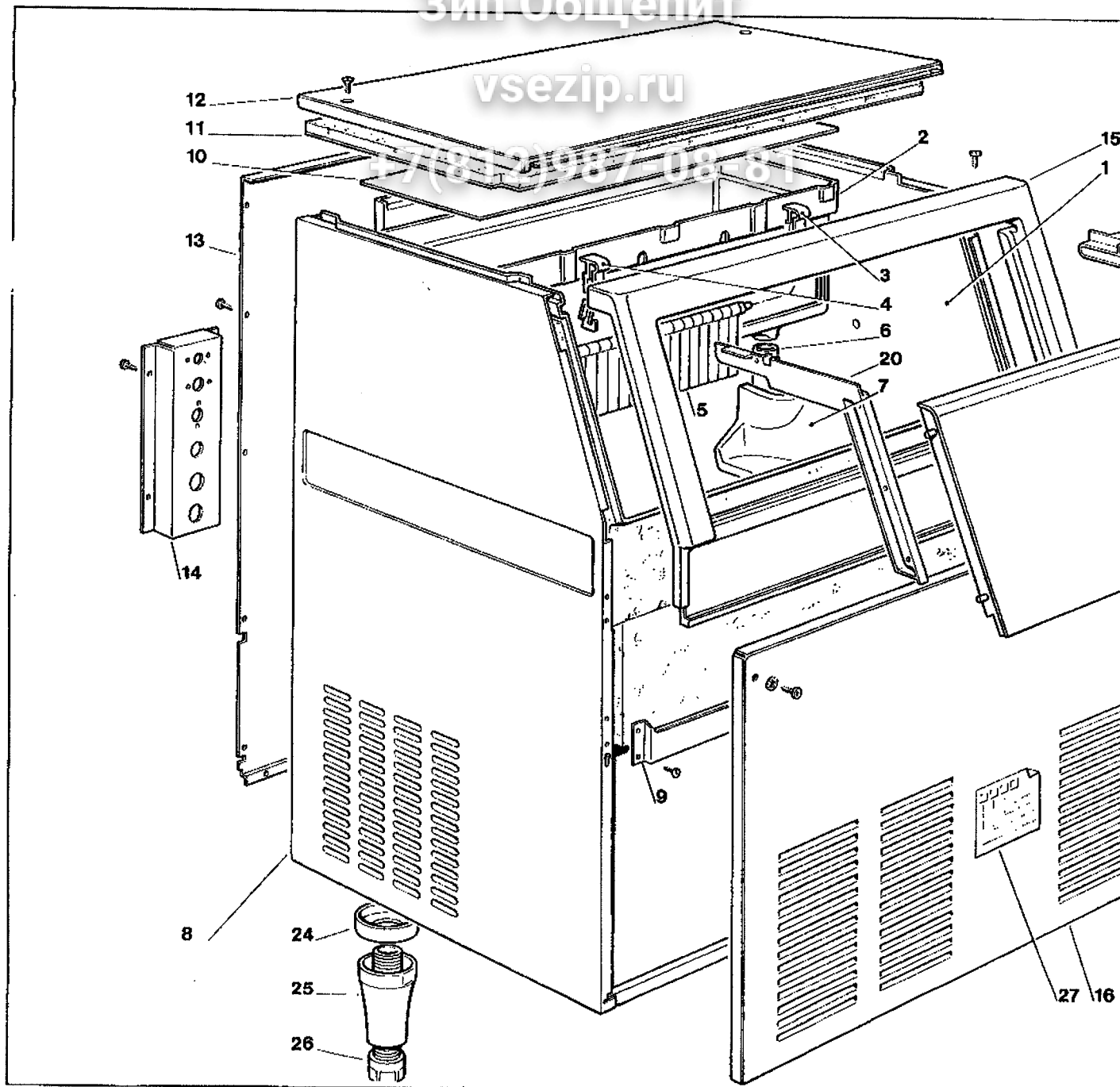
Catalogues pièces détachées

Ersatzteilkatalog



**SCOTSMAN®**

**ICE SYSTEMS**



Зип-Общепит  
vsezip.ru  
7(812)9870881

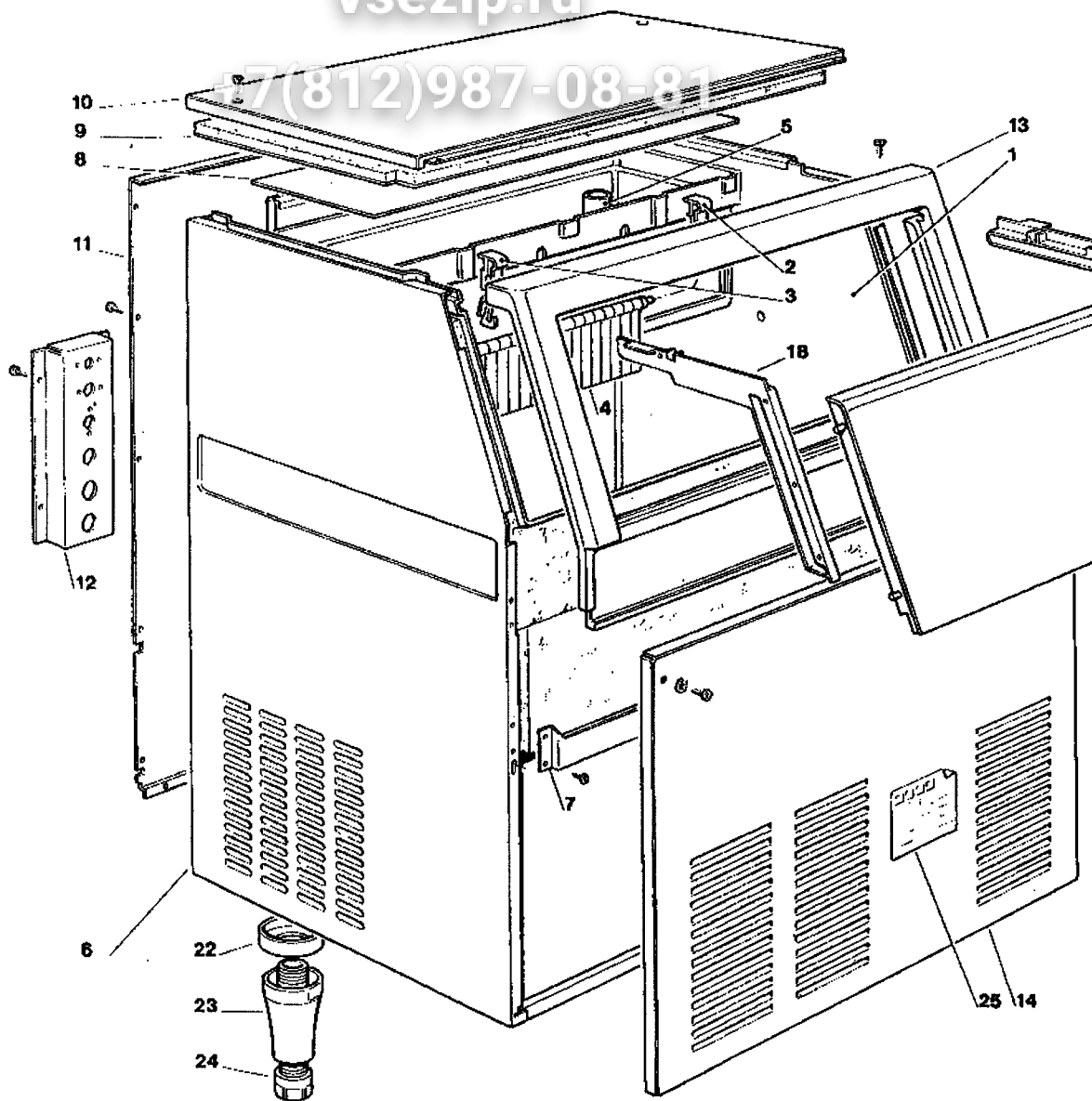
## ACM 125 B - UNIT PANELS - ASSIEME MOBILE - ENS. CARROSSERIE - MACHI

ITEM NO POS NO REP. NO REF. NO	PART NO CODICE REFERENCE STUECK NR	DESCRIPTION	DESCRIZIONE	DESIGNATION
1	782060 07	INSULATED STORAGE BIN	ASSIEME CELLULA ISOLATA	CABINE DE STOCKAGE IS
2	660382 00	EVAPORATOR HOUSING	ALLOGGIAMENTO EVAPORATORE	CUVE - ÉVAPORATEUR
3	660388 00	CURTAIN BRACKET RIGHT	SUPPORTO TENDINA DX	SUPPORT RIDEAU DROITE
4	660388 01	CURTAIN BRACKET LEFT	SUPPORTO TENDINA SX	SUPPORT RIDEAU GAUCHE
5	784169 05	CURTAIN	TENDINA	RIDEAU
6	743112 01	PLASTIC PIPE	TUBO IN PLASTICA	TUYAU EN PLASTIQUE
7	660405 00	WATER RESERVOIR COVER	COPRICANALINO	COUVERCLE RESERVOIR
8	781307 10 781307 11	UNIT FRAME UNIT FRAME S.S.	ASSIEME TELAIO ASSIEME TELAIO ACCIAIO INOX	ENSAMBLE CHASSIS ENSAMBLE CHASSIS ACIER
9	702127 00	METAL BRACKET	SUPPORTO IN METALLO	SUPPORT METALLIQUE
10	741075 00	EVAPORATOR COVER	COPERCHIO EVAPORATORE	COUVERCLE ÉVAPORATEUR
11	794245 00	UPPER INSULATION	ISOLAMENTO SUPERIORE	ISOLATION SUPERIEUR
12	701798 00 701798 01	TOP PANEL TOP PANEL S.S.	PANNELLO SUPERIORE PANNELLO SUPERIORE ACC. INOX	PANNEAU SUPERIEUR PANNEAU SUPERIEUR ACIER
13	701928 00 701928 01	REAR PANEL REAR PANEL S.S.	PANNELLO POSTERIORE PANNELLO POSTERIORE ACC. INOX	PANNEAU ARRIERE PANNEAU ARRIERE ACIER
14	701993 00 701993 01	METAL BRACKET FOR FITTINGS METAL BRACKET FOR FITTINGS S.S.	SUPPORTO ATTACCHI SUPPORTO ATTACCHI ACC. INOX	SUPPORT DE RACCORDEMENT SUPPORT DE RACC. ACIER
15	782078 00	BIN DOOR FRAME ASSY	ASSIEME CORNICE SPORTELO	ENS. ENCADREMENT PORTE
16	701796 04 701796 05	FRONT PANEL FRONT PANEL S.S.	PANNELLO FRONTALE PANNELLO FRONTALE ACCIAIO INOX	PANNEAU AVANT PANNEAU AVANT ACIER INOX
19	660523 00	RIGHT BIN DOOR GUIDE	GUIDA SPORTELO DESTRA	GLISSIER DE PORTE DROITE
20	660523 01	LEFT BIN DOOR GUIDE	GUIDA SPORTELO SINISTRA	GLISSIER DE PORTE GAUCHE
21	782009 07	BIN DOOR ASSY	ASSIEME SPORTELO	ENSAMBLE PORTE CABINE
22	660286 00	DOOR RUNNER - BUSHING	BUSSOLE DI SCORRIMENTO	BAGUE DE COULISSAGE P
24	660516 00	LEG SOCKET COLLAR	COPRIGHIERA PIEDINI	COLLIER DE SOCLE PIEDS
25	660257 00	LEG	PIEDINO	PIED
26	660258 00	LEG LEVELLER	VITE DI REGOLAZIONE	VIS DE REGLAGE DES PIEDS
27	650624 00	LABEL	ADESIVO SEGNALETICO	ETIQUETTE

Зип-Общепит

vsezip.ru

+7(812)987-08-81



10

9

8

11

12

6

22

23

24

7

13

1

2

3

18

25

14

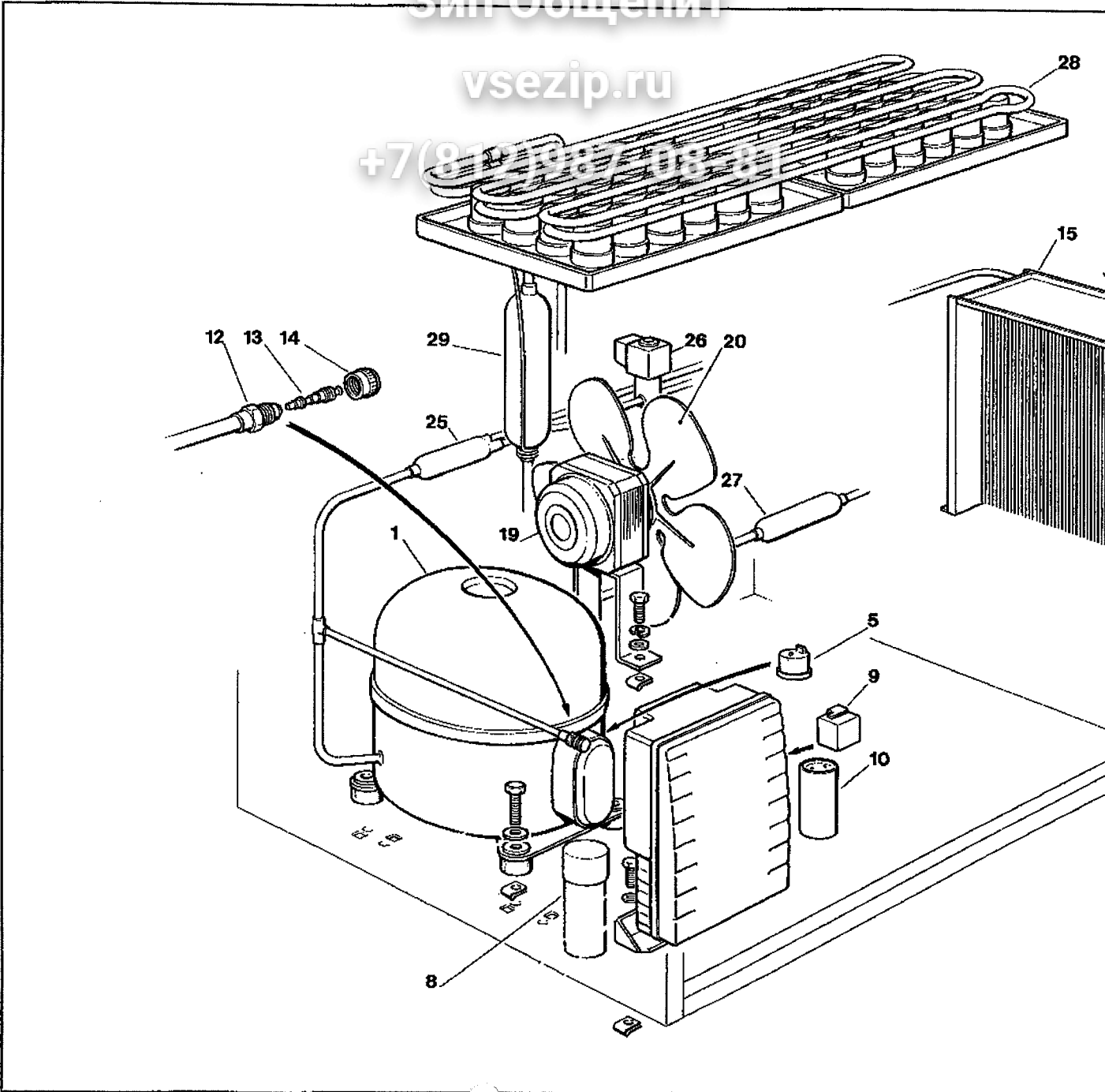
AC 125 C - AC 175 - UNIT PANELS - ASSIEME MOBILE - ENS. CARROSSERIE - M

ITEM NO POS NO REP. NO REF. NO	PART NO CODICE REFERENCE STUECK NR	DESCRIPTION	DESCRIZIONE	DESIGNATION
1	782081 00 782087 00*	INSULATED STORAGE BIN INSULATED STORAGE BIN	ASSIEME DELLA ISOLATA ASSIEME DELLA ISOLATA	CABINE DE STOCKAGE IS CABINE DE STOCKAGE IS
2	660388 00	CURTAIN BRACKET RIGHT	SUPPORTO TENDINA DX	SUPPORT RIDEAU DROIT
3	660388 01	CURTAIN BRACKET LEFT	SUPPORTO TENDINA SX	SUPPORT RIDEAU GAUCHE
4	784169 05	CURTAIN	TENDINA	RIDEAU
5	281720 04 281720 06*	PLASTIC PIPE PLASTIC PIPE	TUBO IN PLASTICA TUBO IN PLASTICA	TUYAU EN PLASTIQUE TUYAU EN PLASTIQUE
6	781307 13	UNIT FRAME S.S.	ASSIEME TELAIO ACCIAIO INOX	ENSAMBLE CHASSIS ACIER
7	702127 00	METAL BRACKET	SUPPORTO IN METALLO	SUPPORT METALLIQUE
8	741075 00	EVAPORATOR COVER	COPERCHIO EVAPORATORE	COUVERCLE ÉVAPORATEUR
9	794245 01	UPPER INSULATION	ISOLAMENTO SUPERIORE	ISOLATION SUPERIEUR
10	701798 01	TOP PANEL S.S.	PANNELLO SUPERIORE ACC. INOX	PANNEAU SUPERIEURE ACIER
11	701928 01	REAR PANEL S.S.	PANNELLO POSTERIORE ACC. INOX	PANNEAU ARRIERE ACIER
12	701993 01	METAL BRACKET FOR FITTINGS S.S.	SUPPORTO ATTACCHI ACC. INOX	SUPPORT DE RACC. ACIER
13	782078 06 782078 08	BIN DOOR FRAME ASSY - AC 125 BIN DOOR FRAME ASSY - AC 175	ASSIEME CORNICE SPORTELLO - AC 125 ASSIEME CORNICE SPORTELLO - AC 175	ENS. ENCADREMENT PORTE CABINE ENS. ENCADREMENT PORTE CABINE
14	701798 05	FRONT PANEL S.S.	PANNELLO FRONTALE ACCIAIO INOX	PANNEAU AVANT ACIER INOX
17	660523 00	RIGHT BIN DOOR GUIDE	GUIDA SPORTELLO DESTRA	GLISSIER DE PORTE DROIT
18	660523 01	LEFT BIN DOOR GUIDE	GUIDA SPORTELLO SINISTRA	GLISSIER DE PORTE GAUCHE
19	782009 07	BIN DOOR ASSY	ASSIEME SPORTELLO	ENSAMBLE PORTE CABINE
20	660286 00	DOOR RUNNER - BUSHING	BUSSOLE DI SCORRIMENTO	BAGUE DE COULISSAGE PORTE
22	660516 00	LEG SOCKET COLLAR	COPRIGHIERA PIEDINI	COLLIER DE SOCLE PIEDS
23	660257 00	LEG	PIEDINO	PIED
24	660258 00	LEG LEVELLER	VITE DI REGOLAZIONE	VIS DE REGLAGE DES PIEDS
25	650624 00	LABEL	ADESIVO SEGNALETICO	ETIQUETTE
		* FROM ACM 125 S.N. 26400 FROM ACM 175 S.N. 2216	* DA ACM 125 N.S. 26400 DA ACM 175 N.S. 2216	* A PARTIR DU ACM 125 N.S. 26400 A PARTIR DU ACM 175 N.S. 2216

Зип-Общепит

vsezip.ru

+7(812)987-08-81



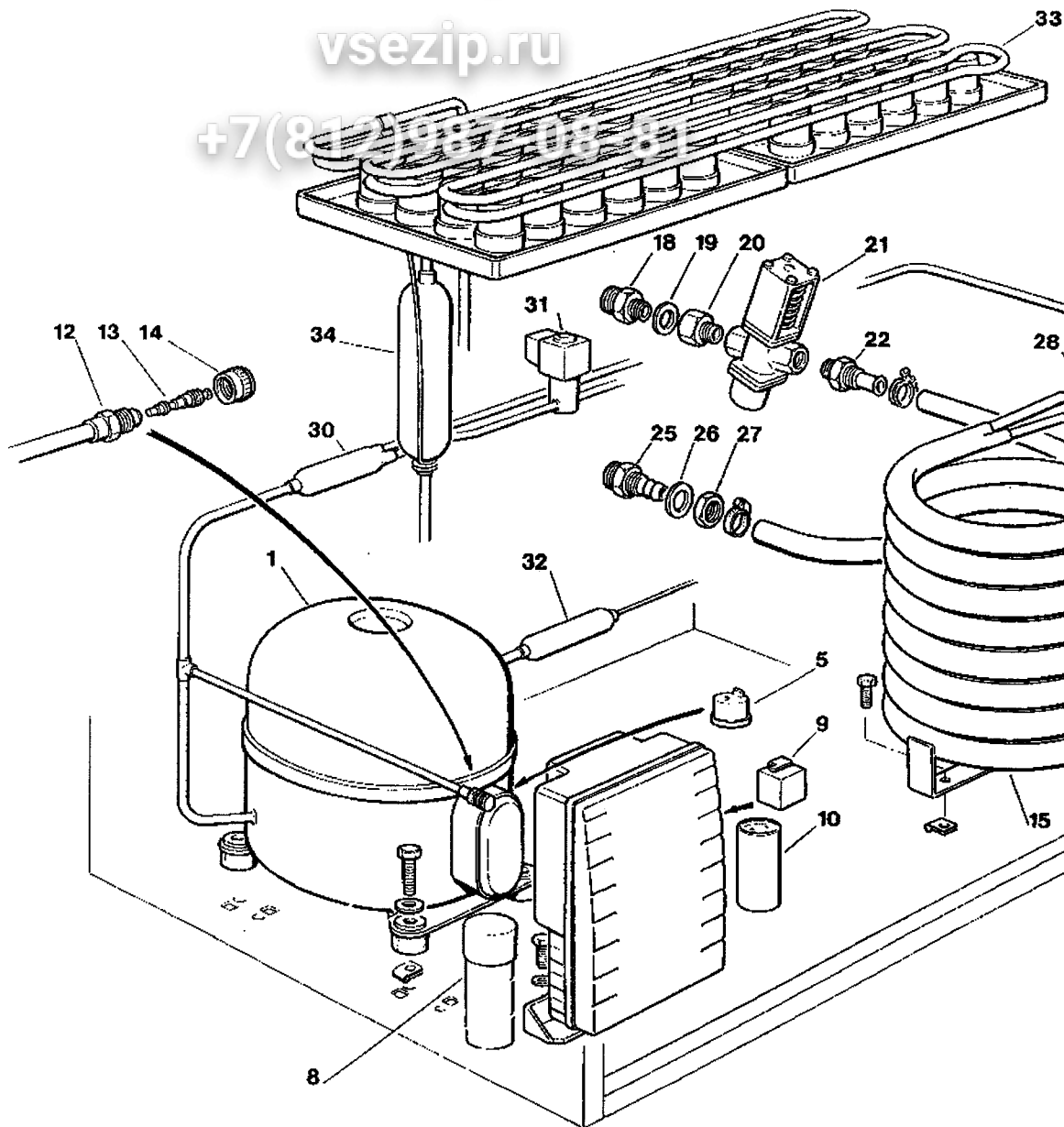
**AC 125 - AC 175 - REFRIGERANT SYSTEM AIR COOLED - SISTEMA REFRIGERANTE  
CIRCUIT FRIGORIFIQUE REFROID. PAR AIR - LUFTGEKÜHLT GEFRIERSYSTEM**

ITEM NO POS NO REP. NO REF. NO	PART NO CODICE REFERENCE STUECK NR	DESCRIPTION	DESCRIZIONE	DESIGNATION
1	670000 04 670097 04 670076 23*	COMPRESSOR ASSY - AC 125 COMPRESSOR ASSY - AC 175 COMPRESSOR ASSY - AC 175	ASSIEME COMPRESSORE - AC 125 ASSIEME COMPRESSORE - AC 175 ASSIEME COMPRESSORE - AC 175	ENSAMBLE COMPRESSE ENSAMBLE COMPRESSE ENSAMBLE COMPRESSE
5	620058 45 620058 63 620058 75*	PROTECTOR - AC 125 PROTECTOR - AC 175 PROTECTOR - AC 175	PROTETTORE - AC 125 PROTETTORE - AC 175 PROTETTORE - AC 175	PROTECTEUR - AC 125 PROTECTEUR - AC 175 PROTECTEUR - AC 175
8	620167 21 620167 33 620167 21*	RUN CAPACITOR - AC 125 RUN CAPACITOR - AC 175 RUN CAPACITOR - AC 175	CAPACITA DI MARCIA - AC 125 CAPACITA DI MARCIA - AC 175 CAPACITA DI MARCIA - AC 175	CAPACITE PERMANENCE CAPACITE PERMANENCE CAPACITE PERMANENCE
9	620168 11 620168 19 620168 11*	START RELAY - AC 125 START RELAY - AC 175 START RELAY - AC 175	RELE DI AVVIAMENTO - AC 125 RELE DI AVVIAMENTO - AC 175 RELE DI AVVIAMENTO - AC 175	RELAIS DE DEMARRAGE RELAIS DE DEMARRAGE - AC 175 RELAIS DE DEMARRAGE - AC 175
10	620167 22 620167 29 620167 43*	START CAPACITOR - AC 125 START CAPACITOR - AC 175 START CAPACITOR - AC 175	CAPACITA D'AVVIAMENTO - AC 125 CAPACITA D'AVVIAMENTO - AC 175 CAPACITA D'AVVIAMENTO - AC 175	CAPACITE DE DEMARRAGE CAPACITE DE DEMARRAGE CAPACITE DE DEMARRAGE
12	650109 00	VALVE BODY	CORPO VALVOLA	CORPS DE VANNE
13	670012 00	VALVE PISTON	PISTONCINO VALVOLA	PISTON
14	650106 00	VALVE CAP	CAPPUCCIO VALVOLA	CAPUCHON DE VANNE
15	620405 00	AIR COOLED CONDENSER	CONDENSATORE AD ARIA	CONDENSEUR A AIR
19	620419 02 620419 04	FAN MOTOR AC 125 FAN MOTOR AC 175	MOTORE VENTILATORE AC 125 MOTORE VENTILATORE AC 175	MOTEUR VENTILATEUR AC 125 MOTEUR VENTILATEUR AC 175
20	620007 07	FAN BLADE	VENTOLA	HELICE
25	630020 01	MECHANICAL FILTER	FILTRO MECCANICO	FILTRE MECANIQUE
26	620306 26 620306 28	HOT GAS VALVE ASSY HOT GAS VALVE COIL	ASSIEME VALVOLA GAS CALDO BOBINA VALVOLA GAS CALDO	ENSAMBLE VANNE GAZ CHAUD BOBINE VANNE GAZ CHAUD
27	630003 03	DRIER	FILTRO DEUMIDIFICATORE	FILTRE DESHYDRATEUR
28	784283 00 784283 00	EVAPORATOR ASSY-ACM EVAPORATOR ASSY-ACS	ASSIEME EVAPORATORE-ACM ASSIEME EVAPORATORE-ACS	ENSAMBLE EVAPORATEUR-ACM ENSAMBLE EVAPORATEUR-ACS
29	784253 04 784253 06	SUCTION LINE/ACCUMULATOR AC 125 SUCTION LINE/ACCUMULATOR AC 175	ACCUMUL. E LINEA ASPIRAZIONE AC 125 ACCUMUL. E LINEA ASPIRAZIONE AC 175	ENS. ASPIRATION/ACCUMUL. AC 125 ENS. ASPIRATION/ACCUMUL. AC 175
		* FROM S.N. 2016	* DA N.S. 2016	* A PARTIR DU N.S. 2016

Зип Ощепит

vsezip.ru

+7(812)987-08-81





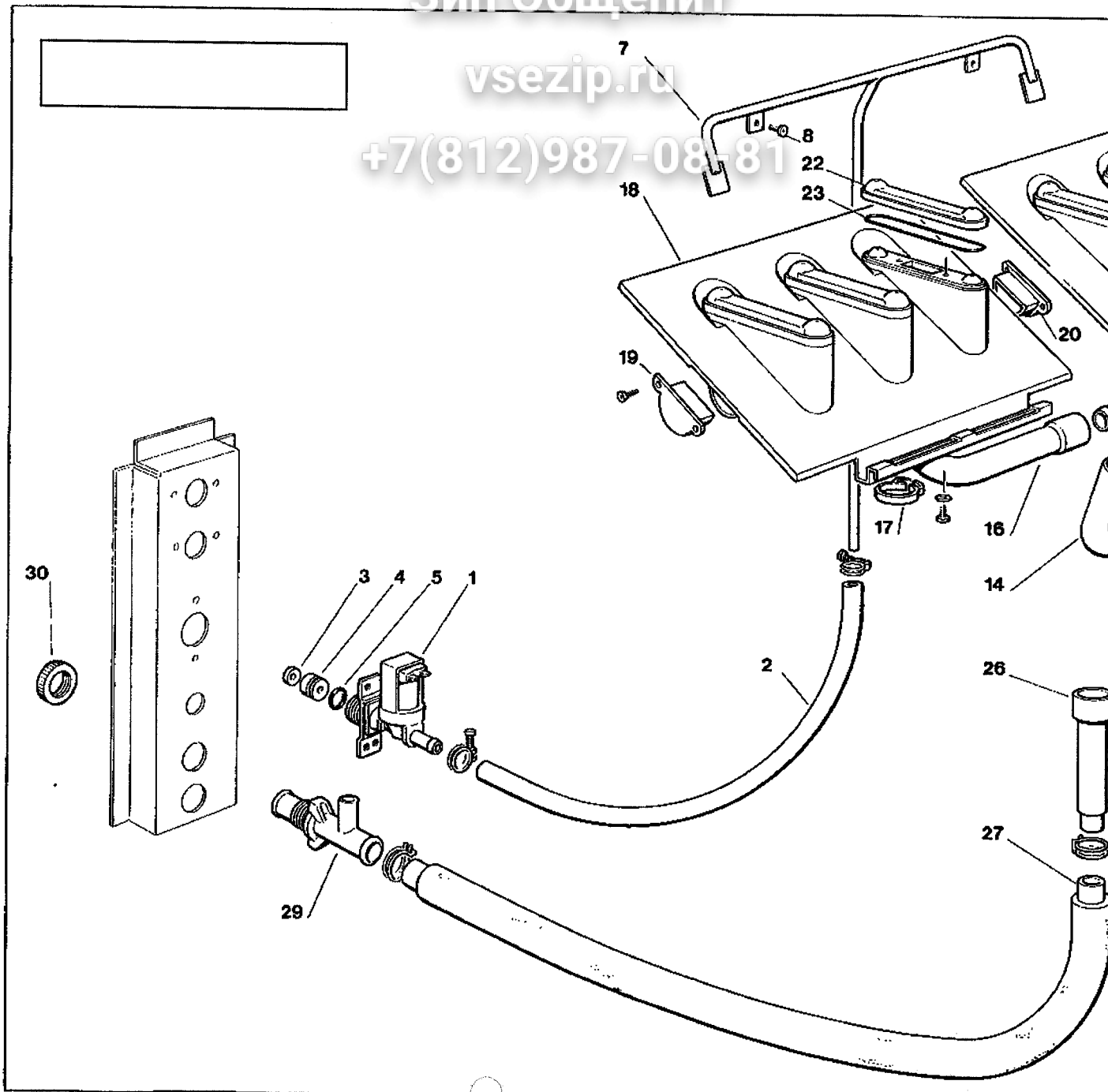
**AC 125 - AC 175 - REFRIGERANT SYSTEM WATER COOLED - SISTEMA REFRIGERANTE  
CIRCUIT FRIGORIFICO REFROID. PAR EAU - WASSERGEKÜHLT GEFRIERSYSTEM**

ITEM NO POS NO REF. NO	PART NO CODICE REFERENCE STUECK NR	DESCRIPTION	DESCRIZIONE	DESIGNATION
1	670000 04 670097 04 670076 23*	COMPRESSOR ASSY - AC 125 COMPRESSOR ASSY - AC 175 COMPRESSOR ASSY - AC 175	ASSIEME COMPRESSORE - AC 125 ASSIEME COMPRESSORE - AC 175 ASSIEME COMPRESSORE - AC 175	ENSAMBLE COMPRESSEUR ENSAMBLE COMPRESSEUR ENSAMBLE COMPRESSEUR
5	620058 45 620058 63 620058 75*	PROTECTOR - AC 125 PROTECTOR - AC 175 PROTECTOR - AC 175	PROTEZIONE - AC 125 PROTEZIONE - AC 175 PROTEZIONE - AC 175	PROTECTEUR - AC 125 PROTECTEUR - AC 175 PROTECTEUR - AC 175
8	620167 21 620167 33 620167 21*	RUN CAPACITOR - AC 125 RUN CAPACITOR - AC 175 RUN CAPACITOR - AC 175	CAPACITA DI MARCIA - AC 125 CAPACITA DI MARCIA - AC 175 CAPACITA DI MARCIA - AC 175	CAPACITE PERMANENCE CAPACITE PERMANENCE CAPACITE PERMANENCE
9	620168 11 620168 19 620168 11*	START RELAY - AC 125 START RELAY - AC 175 START RELAY - AC 175	RELE DI AVVIAMENTO - AC 125 RELE DI AVVIAMENTO - AC 175 RELE DI AVVIAMENTO - AC 175	RELAIS DE DEMARRAGE - AC 125 RELAIS DE DEMARRAGE - AC 175 RELAIS DE DEMARRAGE - AC 175
10	620167 22 620167 29 620167 43*	START CAPACITOR - AC 125 START CAPACITOR - AC 175 START CAPACITOR - AC 175	CAPACITA D'AVVIAMENTO - AC 125 CAPACITA D'AVVIAMENTO - AC 175 CAPACITA D'AVVIAMENTO - AC 175	CAPACITE DE DEMARRAGE CAPACITE DE DEMARRAGE CAPACITE DE DEMARRAGE
12	650109 00	VALVE BODY	CORPO VALVOLA	CORPS DE VANNE
13	670012 00	VALVE PISTON	PISTONCINO VALVOLA	PISTON
14	650106 00	VALVE CAP	CAPPUCCIO VALVOLA	CAPUCHON DE VANNE
15	620391 00	WATER COOLED CONDENSER	CONDENSATORE AD ACQUA	CONDENSEUR A EAU
18	400053 00	NUT	DADO	ECROU
19	400052 00	FIBER WASHER	RONDELLA IN FIBRA	RONDELLE EN FIBRE
20	733204 00	WATER INLET FITTING	RACCORDO INGRESSO ACQUA	RACCORD ARRIVEE D'EAU
21	620111 00	WATER REGULATING VALVE	VALVOLA PRESSOSTATICA	VANNE A EAU PRESSOSTAT.
22	733094 03	REGULATING VALVE OUTLET FITTING	RACCORDO USCITA VALVOLA PRESS.	RACCORD SORTIE VANNE
24	281900 01	PLASTIC TUBE-PER METER	TUBO IN PLASTICA-PER METRO	TUYAU EN PLASTIQUE-PER
25	680291 00	WATER DRAIN FITTING	RACCORDO SCARICO ACQUA	RACCORD EVACUATION E
26	400031 00	FIBER WASHER	RONDELLA IN FIBRA	RONDELLE EN FIBRE
27	400030 01	NUT	DADO	ECROU
29	281900 01	PLASTIC TUBE-PER METER	TUBO IN PLASTICA-PER METRO	TUYAU EN PLASTIQUE-PER
30	630020 01	MECHANICAL FILTER	FILTRO MECCANICO	FILTRE MECHANIQUE
31	620306 26 620306 28	HOT GAS VALVE ASSY HOT GAS VALVE COIL	ASS. VALVOLA GAS CALDO BOBINA VALVOLA GAS CALDO	ENS. VANNE GAZ CHAUD BOBINE VANNE GAZ CHAUD
32	620003 03	DRIER	FILTRO DEUMIDIFICATORE	FILTRE DESHYDRATEUR
33	784263 00 784263 00	EVAPORATOR ASSY-ACM EVAPORATOR ASSY-ACS	ASSIEME EVAPORATORE-ACM ASSIEME EVAPORATORE-ACS	ENSAMBLE EVAPORATEUR ENSAMBLE EVAPORATEUR
34	784253 04 784253 06	SUCTION LINE/ACCUMULATOR AC 125 SUCTION LINE/ACCUMULATOR AC 175	ACCUMUL. E LINEA ASPIRAZIONE AC 125 ACCUMUL. E LINEA ASPIRAZIONE AC 175	ENS. ASPIRATION/ACCUMUL. ENS. ASPIRATION/ACCUMUL.
		* FROM S.N. 2016	* DA N.S. 2016	* A PARTIR DU N.S. 2016

Зип Ощепит

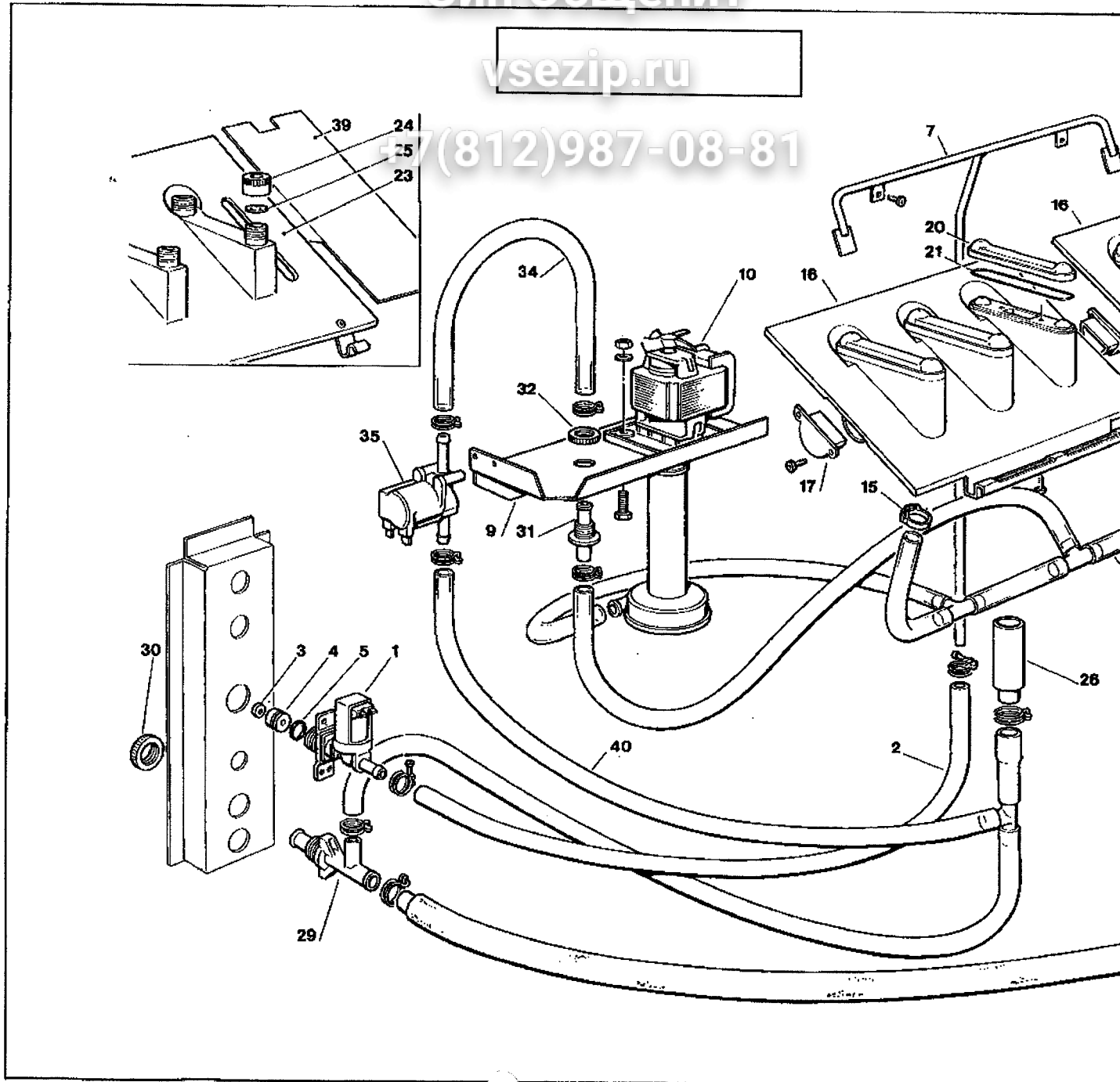
vsezip.ru

+7(812)987-08-81



ACM 125 B - WATER SYSTEM CIRCUITO IDRAULICO - CIRCUIT HYDRAULIQUE -

ITEM NO POS NO REP. NO REF. NO	PART NO CODICE REFERENCE STUECK NR	DESCRIPTION	DESCRIZIONE	DESIGNATION
1	650105 00	WATER INLET VALVE	VALVOLA INGRESSO ACQUA	VANNE ARRIVÉE D'EAU
2	291900 01	WATER INLET TUBE PER METER	TUBO INGRESSO ACQUA-PER METRO	TUYAU ARRIVÉE D'EAU-P
3	640022 00	FLOW CONTROL	CONTROLLO DI FLUSSO	CONTRÔLE DE DEBIT
4	733185 00	FLOW CONTROL BODY	CORPO CONTROLLO DI FLUSSO	CORPS CONTRÔLE DE D
5	640110 00	O RING	GUARNIZIONE OR	JOINT TORIQUE
7	660537 00	WATER DISTRIBUTOR TUBE	TUBO DISTRIBUTORE D'ACQUA	TUYAU DISTRIBUTEUR EA
9	723079 00	PUMP MOTOR BRACKET	SUPPORTO POMPA	SUPPORT METALLIQUE P
10	793113 03	WATER PUMP ASSY	ASSIEME POMPA	ENSAMBLE POMPE A EA
14	610155 00	WATER TUBE - PUMP TO SPRAY SYSTEM	TUBO MANDATA POMPA	TUYAU - POMPE PLAQUE
15	610053 02	T FITTING	RACCORDO A T	RACCORD A T
16	610156 00	TUBE - T SPRAY SYSTEM	TUBO - T PIASTRA SPRUZZANTE	TUYAU - T PLAQUE D'ARR
17	650499 01	PLASTIC CLAMP	FASCETTA IN PLASTICA	COLLIER EN PLASTIQUE
18	793129 01	SPRAY PLATEN ASSY	ASSIEME PIASTRA SPRUZZANTE	ENS. PLAQUE PULVERISA
19	660520 03	PLASTIC PLUG	TAPPO IN PLASTICA	BOUCHON EN PLASTIQUE
20	660520 02	PLASTIC PLUG	TAPPO IN PLASTICA	BOUCHON EN PLASTIQUE
22	660519 01	PLASTIC COVER	COPERCHIO IN PLASTICA	COUVERCLE EN PLASTIQ
23	640041 20	O RING	GUARNIZIONE OR	JOINT TORIQUE
26	660387 00	OVERFLOW STAND PIPE	TUBO TROPPO PIENEO	TUYAU TROP PLEIN
27	610148 07	WATER DRAIN TUBE	TUBO SCARICO ACQUA	TUYAU ÉVACUATION EAU
29	660224 00	DRAIN T FITTING	RACCORDO DI SCARICO	RACCORD T D'ÉVACUATI
30	660535 00	PLASTIC RING NUT	GHIERA IN PLASTICA	COLLIER DE SERRAGE EN



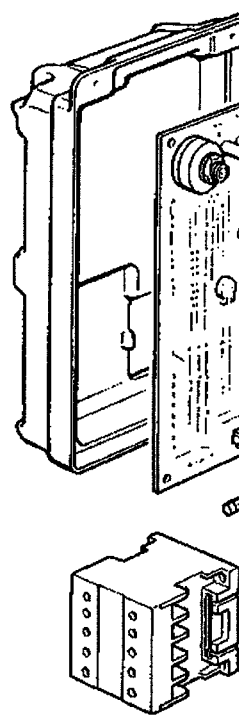
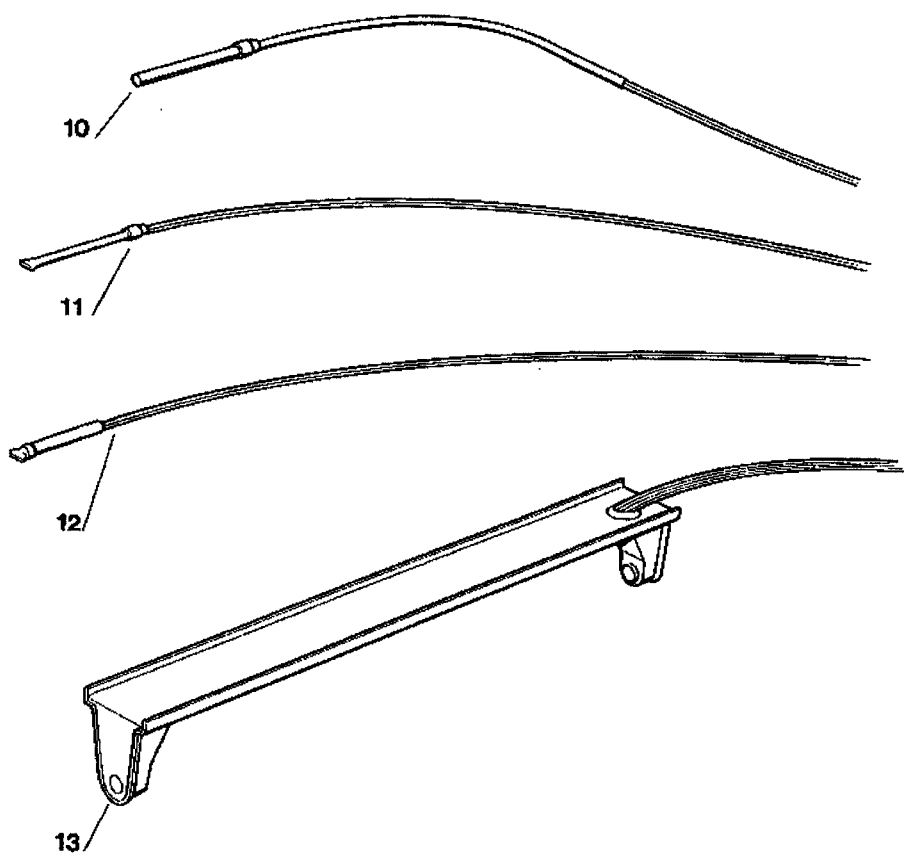
AC 125 - AC 175 WATER SYSTEM - CIRCUITO IDRAULICO - CIRCUIT HYDRAULIQUE

ITEM NO POS NO REF. NO	PART NO CODICE REFERENCE STUECK NR	DESCRIPTION	DESCRIZIONE	DESIGNATION
1	650105 00	WATER INLET VALVE	VALVOLA INGRESSO ACQUA	VANNE ARRIVÉE D'EAU
2	291900 01	WATER INLET TUBE PER METER	TUBO INGRESSO ACQUA-PER METRO	TUYAU ARRIVÉE D'EAU-PC
3	640022 00	FLOW CONTROL	CONTROLLO DI FLUSSO	CONTRÔLE DE DEBIT
4	733185 00	FLOW CONTROL BODY	CORPO CONTROLLO DI FLUSSO	CORPS CONTRÔLE DE DEBIT
5	640110 00	O RING	GUARNIZIONE OR	JOINT TORIQUE
7	660537 00	WATER DISTRIBUTOR TUBE	TUBO DISTRIBUTORE D'ACQUA	TUYAU DISTRIBUTEUR EAU
9	723147 00 723156 00*	PUMP MOTOR BRACKET PUMP MOTOR BRACKET	SUPPORTO POMPA SUPPORTO POMPA	SUPPORT METALLIQUE PC SUPPORT METALLIQUE PC
10	793113 12 793146 03*	WATER PUMP ASSY WATER PUMP ASSY	ASSIEME POMPA ASSIEME POMPA	ENSAMBLE POMPE A EAU ENSAMBLE POMPE A EAU
14	610175 00 610186 00*	WATER TUBE - PUMP TO SPRAY SYSTEM WATER TUBE - PUMP TO SPRAY SYSTEM	TUBO MANDATA POMPA TUBO MANDATA POMPA	TUYAU - POMPE PLAQUE D' TUYAU - POMPE PLAQUE D'
15	650409 01	PLASTIC CLAMP	FASCETTA IN PLASTICA	COLLIER EN PLASTIQUE
16	793129 01	SPRAY PLATEN ASSY-ACM	ASSIEME PIASTRA SPRUZZANTE-ACM	ENS. PLAQUE PULVERISATION
17	660520 03	PLASTIC PLUG	TAPPO IN PLASTICA	BOUCHON EN PLASTIQUE
18	660520 02	PLASTIC PLUG	TAPPO IN PLASTICA	BOUCHON EN PLASTIQUE
20	660519 01	PLASTIC COVER	COPERCHIO IN PLASTICA	COUVERCLE EN PLASTIQUE
21	640041 20	O RING	GUARNIZIONE OR	JOINT TORIQUE
23	793117 00	SPRAY PLATEN ASSY-ACS	ASSIEME PIASTRA SPRUZZANTE	ENS. PLAQUE PULVERISAT
24	660155 03	SPRAY JET	CAPPUCCIO SPRUZZATORE	CAPUCHON
25	660296 02	SPINNER JET	RONDELLA SPRUZZANTE	GICLEUR
26	281720 04 281720 06*	OVERFLOW STAND PIPE OVERFLOW STAND PIPE	TUBO TROPPO PIENEO TUBO TROPPO PIENEO	TUYAU TROP PLEIN TUYAU TROP PLEIN
27	610148 15	WATER DRAIN TUBE	TUBO SCARICO ACQUA	TUYAU ÉVACUATION EAU
29	660224 00	DRAIN T FITTING	RACCORDO DI SCARICO	RACCORD T D'ÉVACUATIO
30	660535 00	PLASTIC RING NUT	GHIERA IN PLASTICA	COLLIER DE SERRAGE EN
31	660534 00	PLASTIC FITTING	RACCORDO DI SCARICO	RACCORD ÉVACUATION
32	660535 00	PLASTIC RING NUT	GHIERA IN PLASTICA	COLLIER DE SERRAGE EN
34	610173 00	TUBE	TUBO	TUYAU
35	620406 00	WATER DRAIN VALVE	VALVOLA SCARICO ACQUA	VANNE VIDANGE EAU
36	660219 01	DRAIN FITTING	RACCORDO DI SCARICO	RACCORD ÉVACUATION
37	640134 00	O RING	GUARNIZIONE O R	JOINT TORIQUE
38	660211 01	DRAIN FILTER	FILTRO SCRICO ACQUA	FILTRE ÉVACUATION EAU
39	723105 00	S.S. PLATE	PIASTRINA IN ACC. INOX	PLAQUE EN ACIER INOX
40	610176 01	TUBE	TUBO	TUYAU
		* FROM ACM 125 S.N. 26400 FROM ACM 175 S.N. 2216	* DA ACM 125 N.S. 26400 DA ACM 175 N.S. 2216	* A PARTIR DU ACM 125 N.S. A PARTIR DU ACM 175 N.S.

Зип Ощепит

vsezip.ru

+7(812)987-08-81



AC 125 - AC 175 - P.C. BOARD AND SENSOR ASSY - SCHEDA ELETTRONICA E SENSORI -ENS. CARTE  
 ELEKTRONISCHE KARTE UND TEMPERATURFUEHLERENHEIT

ITEM NO POS NO REP. NO REF. NO	PART NO CODICE REFERENCE STUECK NR	DESCRIPTION	DESCRIZIONE	DESIGNATION
4	660546 00	CONTROL BOX	SCATOLA ELETTRICA	BOITE ELECTRIQUE
6	PA8069 00	CONTROL BOX COVER	COPERCHIO SCATOLA ELETTRICA	COUVERCLE BOITE DE CO
8	620403 01	P. C. BOARD ASSY	ASSIEME SCHEDA ELETTRONICA	ENSAMBLE CARTE ELECTR
9	630015 09 630015 10	FUSE (100 mA) FUSE (16 A)	FUSIBILE (100 mA) FUSIBILE (16 A)	FUSIBLE (100 mA) FUSIBLE (16 A)
10	620404 10	EVAPORATOR TEMP. SENSOR	SENSORE TEMP. EVAPORATORE	CAPTEUR TEMP. EVAPORA
11	620404 01	CONDENSER TEMP. SENSOR	SENSORE TEMP. CONDENSATORE	CAPTEUR TEMP. CONDENS
12	620404 02	AMBIENT TEMP. SENSOR	SENSORE TEMP. AMBIENTE	CAPTEUR TEMP. AMBIANC
13	650674 00	ICE LEVEL CONTROL ASSY	ASS. CONTR. LIVELLO GHIACCIO	ENS. DETECTEUR NIVEAU
14	630119 02	CONTACTOR	TELERUTTORE	CONTACTEUR

AC 125 - AC 175 - COMPRESSOR CHART - TABELLA COMPRESSORI - TABLEAU COMPRESSEUR

MODEL MODELLO MODELE MODELL	VOLTS TENSIONE TENSION SPANNUNG	COMPRESSOR MODEL MOD. COMPRESORE TYPE COMPRESSEUR KOMPRESSOR TYP	COMPRESSOR COMPRESORE COMPRESSEUR KOMPRESSOR	RELAY RELE RELAIS RELAIS	PROTECTOR PROTETTORE PROTECTEUR SCHUTZGERAT	CAP S
ACM 125	115/60/1	U.H. CAE 9400 T	670000 08	620168 23	620058 72	
ACM 125 ACM 175 ACM 175*	230/60/1 230/60/1 230/60/1	U.H. AE 5465 E ELECTROLUX S 18 TN U.H. AJ 5510 F	670000 06 670097 05 670076 24	620168 14 620057 38 620168 14	620058 51 620058 68 620058 75	
ACM 125 ACM 175 ACM 175*	220/50/1 220/50/1 220/50/1	U.H. AE 5465 E ELECTROLUX S 18 TN U.H. AJ 5510 F	670000 04 670097 04 670076 23	620168 11 620168 19 620168 11	620058 45 620058 63 620058 75	

\* FROM ACM 175 S.N. 2016

\* DA ACM 175 N.S. 2016

\* A PARTIR DU ACM 175 N.S. 2016

AC 125 - AC 175 - ELECTRIC COMPONENTS CHART - TABELLA COMPONENTI ELETTRICI  
TABLEAU COMPOSANTS ELECTRIQUE - ELEKTRISCHEKARTE

MODEL MODELLO MODELE MODELL	VOLTS TENSIONE TENSION SPANNUNG	CONTACTOR TELERUTTORE CONTACTEUR SCHALTSCHÜTZ	WATER PUMP POMPA POMPE A EAU WASSER PUMPE	FAN MOTOR ONLY MOTORE VENTILATORE MOTEUR VENTILATEUR LUFTER MOTOR	WATER INLET VALVE VALV. INGR. ACQUA V.E.M. ARRIVÉE EAU WASSEREIN.VENTIL	HOBOBIN BOBIN BOBIN HEI
ACM 125 B ACM 125 C ACM 125 C*	115/60/1 115/60/1 115/60/1	630124 07 630124 07 630124 07	793113 04 793113 13 793146 04	620419 03 620419 03 620419 03	650105 01 650105 01 650105 01	
ACM 125 B ACM 125 C ACM 125 C* ACM 175 ACM 175*	230/60/1 230/60/1 230/60/1 230/60/1 230/60/1	630119 02 630119 02 630119 02 630119 02 630119 02	793113 05 793113 14 793146 05 793113 14 793146 05	620419 02 620419 02 620419 02 620419 04 620419 04	650105 00 650105 00 650105 00 650105 00 650105 00	
ACM 125 B ACM 125 C ACM 125 C* ACM 175 ACM 175*	220/50/1 220/50/1 220/50/1 220/50/1 220/50/1	630119 02 630119 02 630119 02 630119 02 630119 02	793113 03 793113 12 793146 03 793113 12 793146 03	620419 02 620419 02 620419 02 620419 04 620419 04	650105 00 650105 00 650105 00 650105 00 650105 00	

\* FROM ACM 125 S.N. 26400  
FROM ACM 175 S.N. 2216

\* DA ACM 125 N.S. 26400  
DA ACM 175 N.S. 2216

\* A PARTIR DU ACM 125 N.S. 26400  
A PARTIR DU ACM 175 N.S. 2216