

PNC	Model	Page	Notes
320122	FSV11FP3X	1.....9	FIT SYSTEM
320123	FSV15FP4X	1.....9	FIT SYSTEM
320124	FSV15FPC4X	1.....9	FIT SYSTEM
320127	FSV11FP3C	1.....9	FIT SYSTEM
320128	FSV15FP4C	1.....9	FIT SYSTEM
320129	FSV15FPC4C	1.....9	FIT SYSTEM
320133	FSV11F3X	1.....9	FIT SYSTEM
320134	FSV15F4X	1.....9	FIT SYSTEM
320136	FSV15FC4X	1.....9	FIT SYSTEM
320138	FSV11F3C	1.....9	FIT SYSTEM
320139	FSV15F4C	1.....9	FIT SYSTEM
320140	FSV15FC4C	1.....9	FIT SYSTEM
320141	FSV11FD3X	1.....9	FIT SYSTEM
320142	FSV15FD4X	1.....9	FIT SYSTEM
320143	FSV15FDC4X	1.....9	FIT SYSTEM
320144	FSV11FD3C	1.....9	FIT SYSTEM
320145	FSV15FD4C	1.....9	FIT SYSTEM
320146	FSV15FDC4C	1.....9	FIT SYSTEM

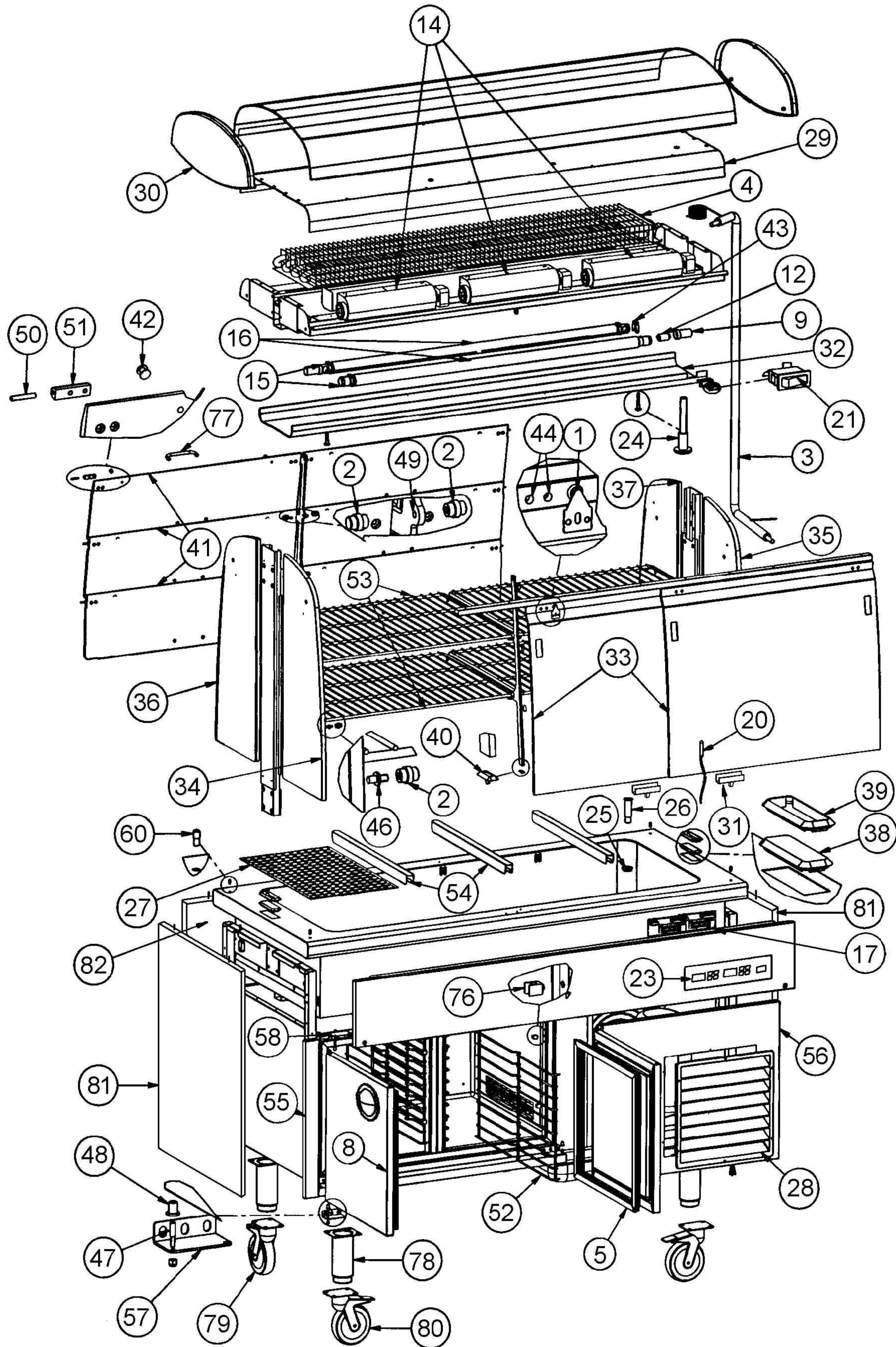
Index

Pag. 1	Cupboard and components
2	Cupboard and components
3	Overshelf and lights
4	Trayslides and panels
5.....9	Spare parts list

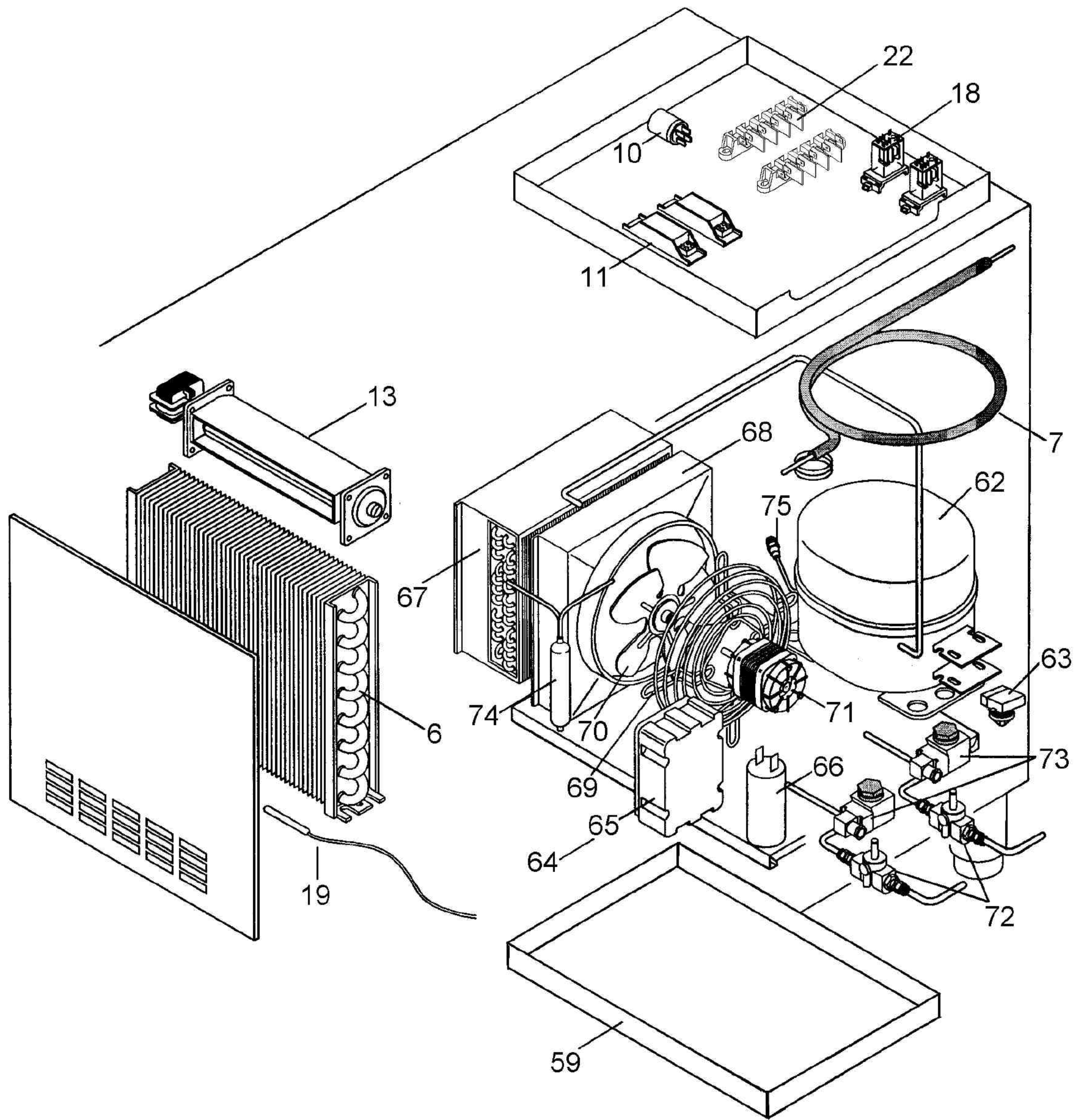
Indice

Mobile e componenti
Mobile e componenti
Lista ricambi

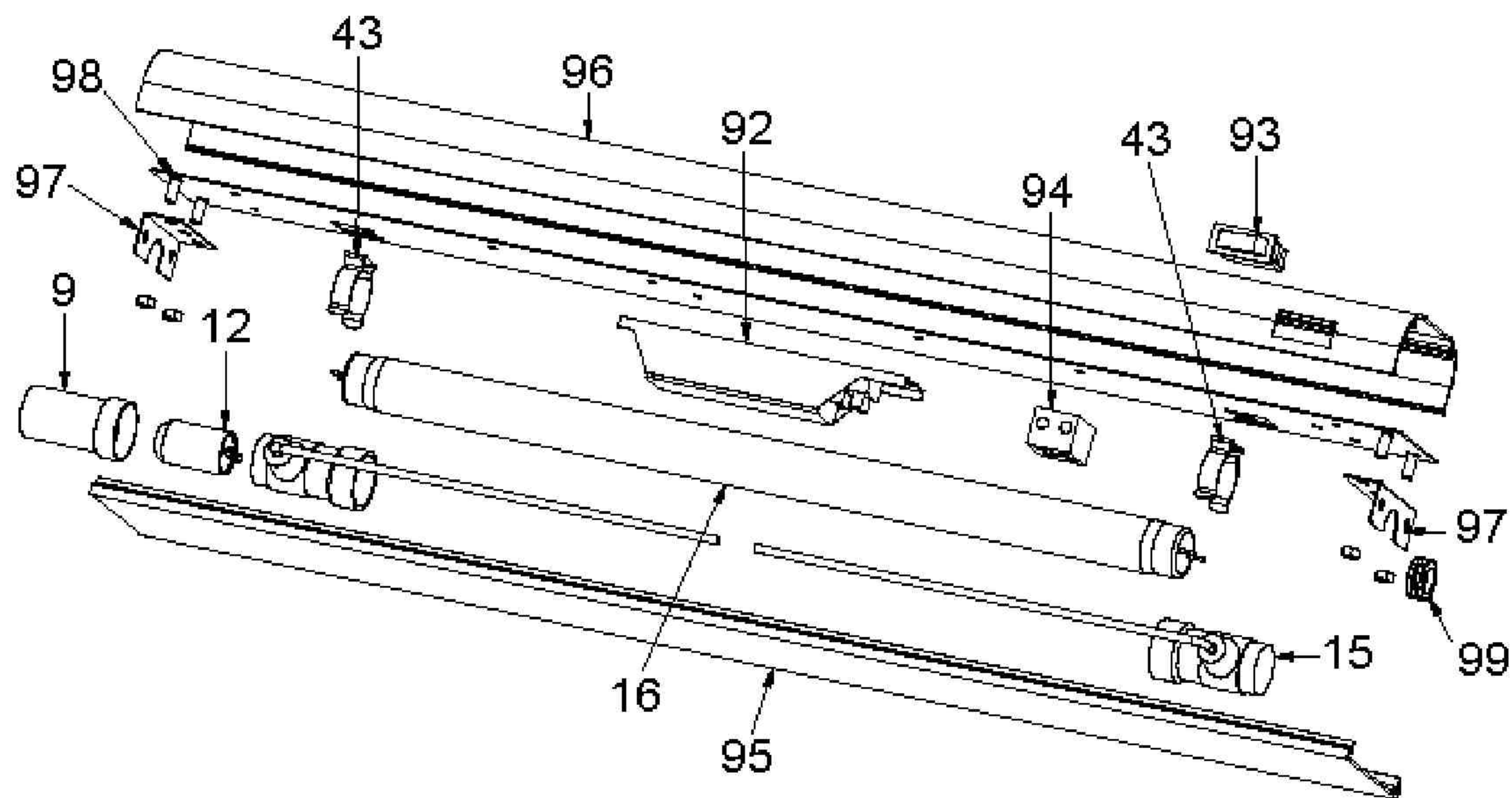
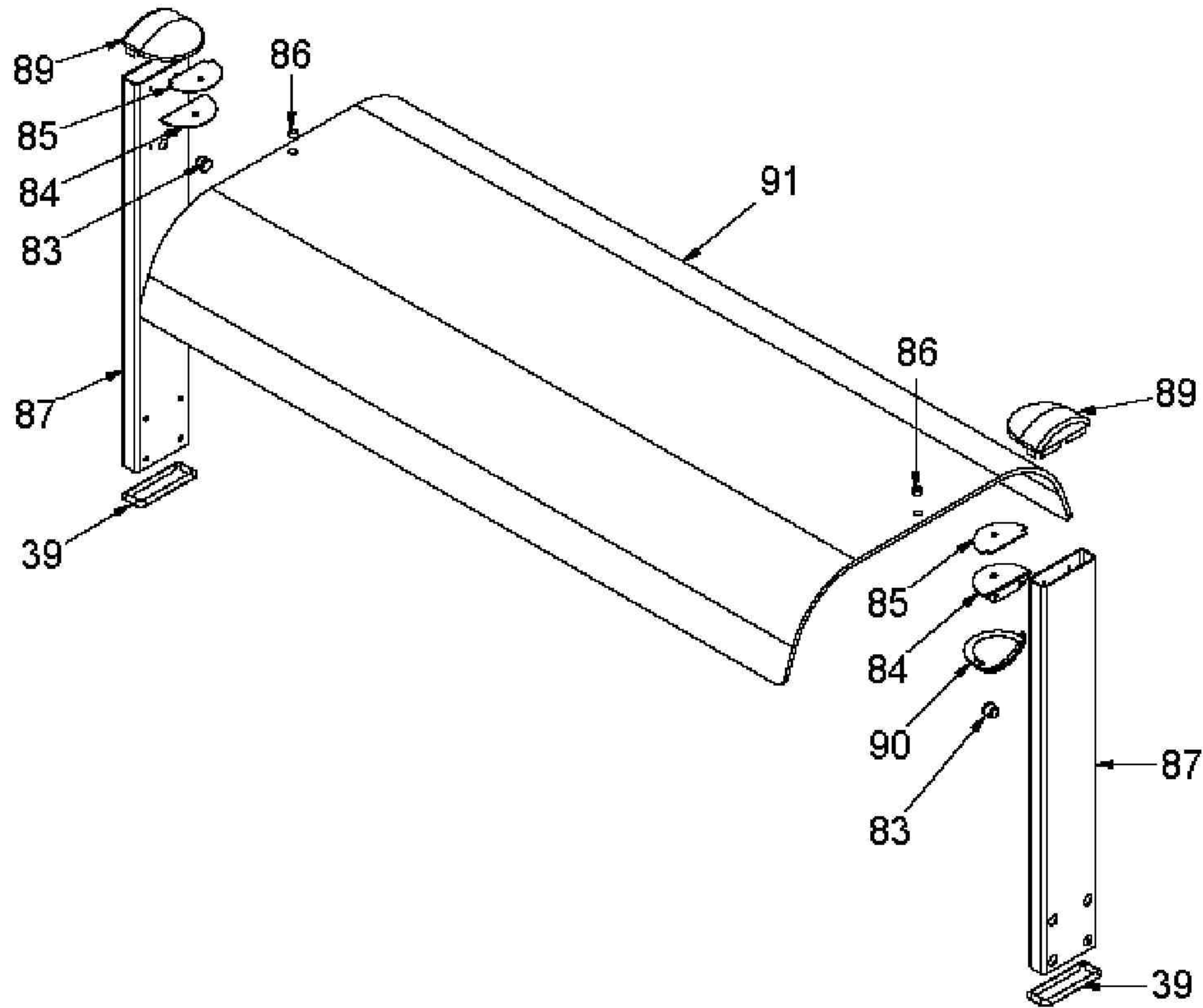
Brand / Marchio: MULTIBRAND
Factory code: 3PDX



COLD UNITS
UNITA' REFRIGERATA



COLD UNITS
UNITA' REFRIGERATA



COLD UNITS
UNITA' REFRIGERATA

