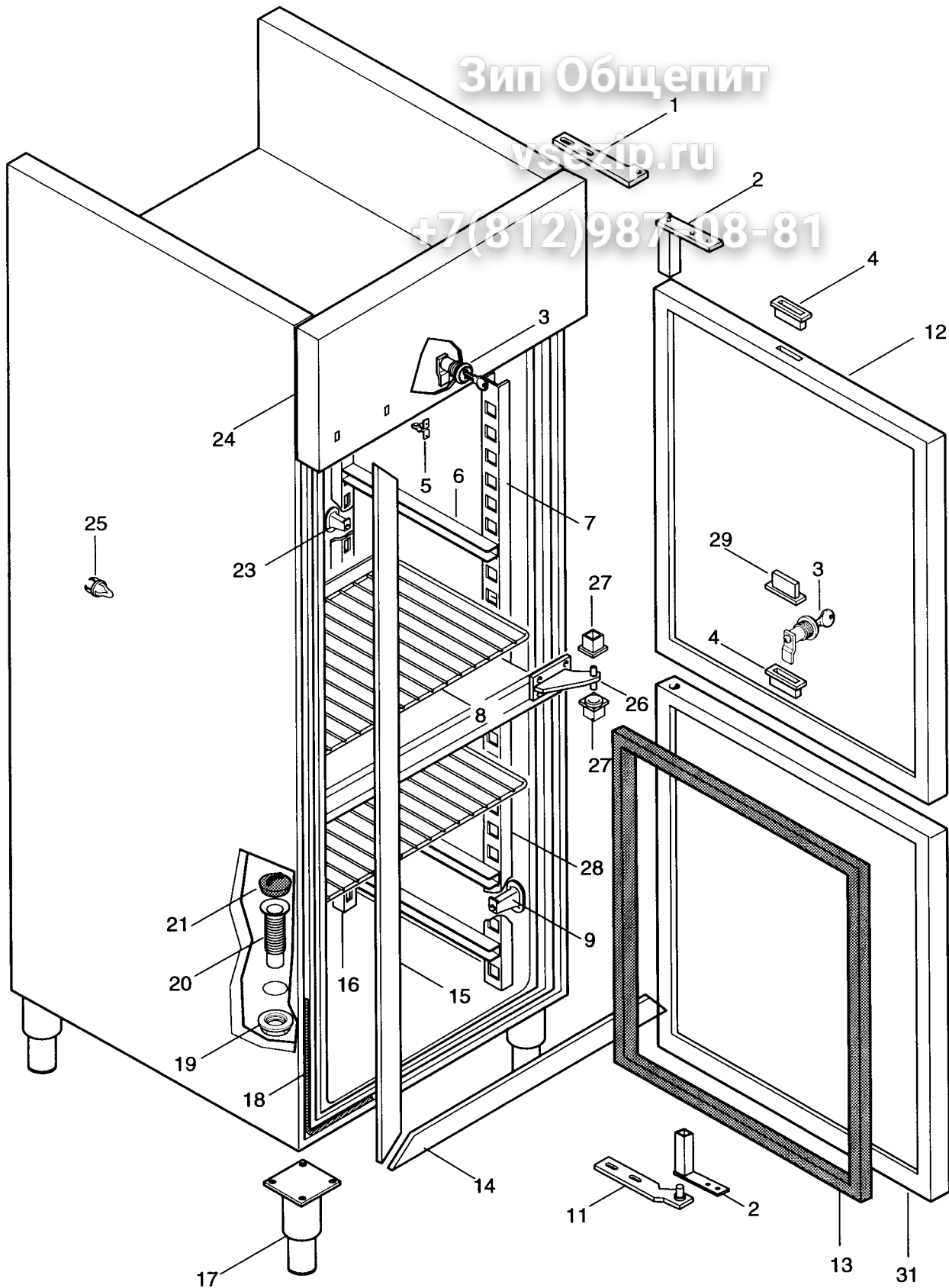
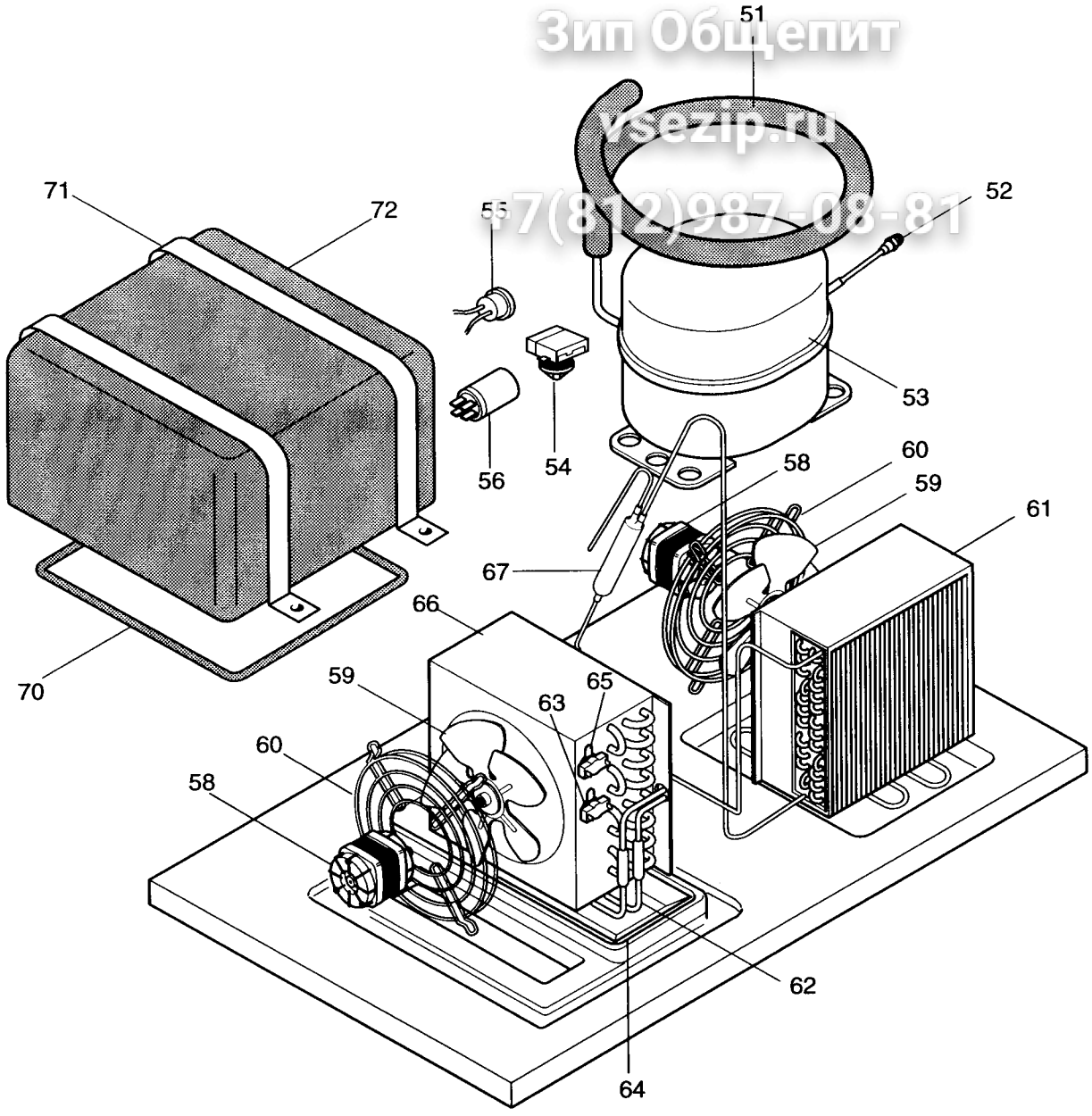


PNC	Model	Ref.	Page	
110611	AEN110	a	1, 3, 4	AISI 430 - Kompact
110643	ASN110	a	1, 3, 4	AISI 430 - Slim
728064	E06N0M1C	d	1, 3, 4	AISI 304 - Kompact
728113	E05N0M1C	d	1, 3, 4	AISI 304 - Slim
728065	E06N1M1C	e	1, 3, 4	AISI 430 - Kompact
728114	E05N1M1C	e	1, 3, 4	AISI 430 - Slim
771611	RMNE061	h	1, 3, 4	AISI 430 - Kompact
771643	RMNE051	h	1, 3, 4	AISI 430 - Slim
728165	C06RM1F	n	1, 3, 4	AISI 430 - Kompact
728201	C05RM1F	n	1, 3, 4	AISI 430 - Slim
110612	AEN120	p	2, 3, 4	
728066	E06N0M2C	q	2, 3, 4	AISI 304
728067	E06N1M2C	r	2, 3, 4	AISI 430
771612	RENE062	s	2, 3, 4	
728166	C06RM2F	t	2, 3, 4	

Pag.	Index	Indice
1, 2	Cabinet and door	Armadio e porta
3	Cooling unit assembly	Gruppo refrigerante
4	Control panel	Pannello comandi
5-7	Spare parts list	Lista ricambi

Brand: Z - P - E - A
Factory code: 9733





* 99 = Cooling unit assembly
Gruppo refrigerante

