



+7(812)987-08-81

# CABINETS PREMIUM class 7

| PNC    | Avv. Model |   | Ref. | Page    |
|--------|------------|---|------|---------|
| 727253 | 00/06      | FV 1M PREMIUM Elux FULL 304/304 DIG. BT rgt hinged    | a    | 2, 5, 6 |
| 727254 | 00/06      | FV 1M PREMIUM Elux FULL 304/304 DIG. BT lft hinged    | a    | 2, 5, 6 |
| 110121 | 00/06      | FV 1M PREMIUM Zanussi FULL 304/304 DIG. BT rgt hinged | b    | 2, 5, 6 |
| 727342 | 00/06      | FV 1M PREMIUM Elux FULL 304/304 DIG. BT rgt hinged UK | c    | 2, 5, 6 |
| 728646 | 00/06      | FV 1M PREMIUM Apx FULL 304/304 DIG. BT rgt hinged     | d    | 2, 5, 6 |
| 727255 | 00/07      | FV 1M PV PREMIUM Elux FULL 304/304 DIG. BT            | e    | 4, 5, 6 |
| 110122 | 00/07      | FV 1M PV PREMIUM Zanussi FULL 304/304 DIG. BT         | f    | 4, 5, 6 |
| 728647 | 00/07      | FV 1M PV PREMIUM Apx FULL 304/304 DIG. BT             | g    | 4, 5, 6 |
| 727256 | 00/06      | FV 1M 2 1/2 PORTE PREMIUM ELUX 304/304 DIG. BT        | h    | 3, 5, 6 |
| 110123 | 00/06      | FV 1M 2 1/2 PORTE PREMIUM ZAN 304/304 DIG. BT         | i    | 3, 5, 6 |
| 728648 | 00/06      | FV 1M 2 1/2 PORTE PREMIUM APX 304/304 DIG. BT         | l    | 3, 5, 6 |
| 727343 | 00/06      | FV 1M 2 1/2 PORTE PREMIUM ELUX 304/304 DIG. BT UK     | m    | 3, 5, 6 |
| 728720 | 00/00      | FV 1M PREMIUM ALPEN FULL 304/304 DIG. BT UK           | n    | 2, 5, 6 |
| 728721 | 00/00      | FV 1M 2 1/2 PORTE PREMIUM ALPEN BT UK                 | o    | 3, 5, 6 |

**Note:** per la corretta identificazione dei componenti, attenersi esclusivamente alle pagine indicate e alla lettera di riferimento.

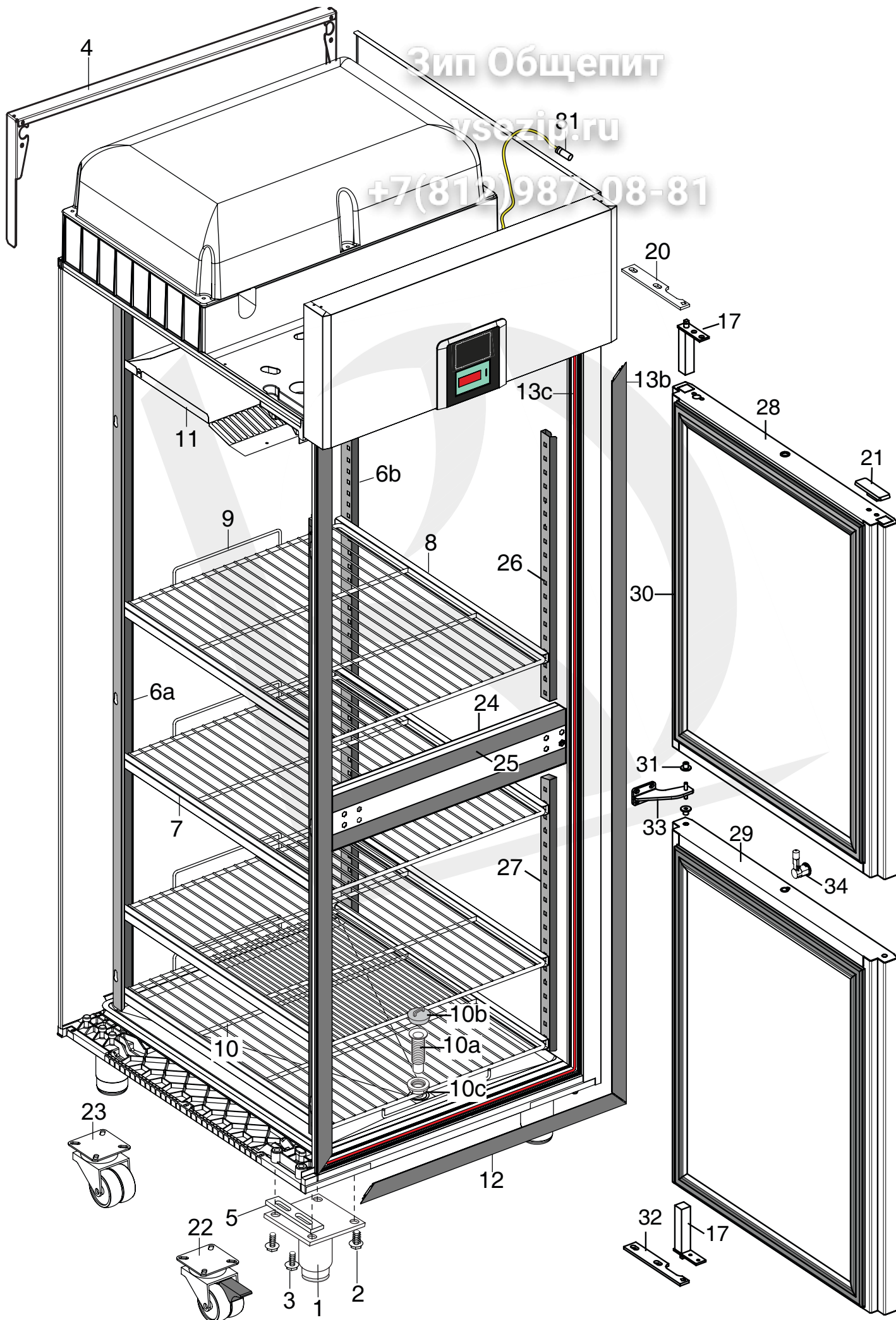
**Note:** for the correct identification of the components, follow the indicated pages and the reference letter

**Note:**

from DATE 25 10 2012 the components on page 9 (pos.65-65a-66-72) have been updated

|            |                       |
|------------|-----------------------|
| Pag. 2,3,4 | <b>Index</b>          |
| 5          | Cabinet and door      |
| 6          | Cooling unit assembly |
| 7,8,9,10   | Control panel         |
|            | Spare parts list      |

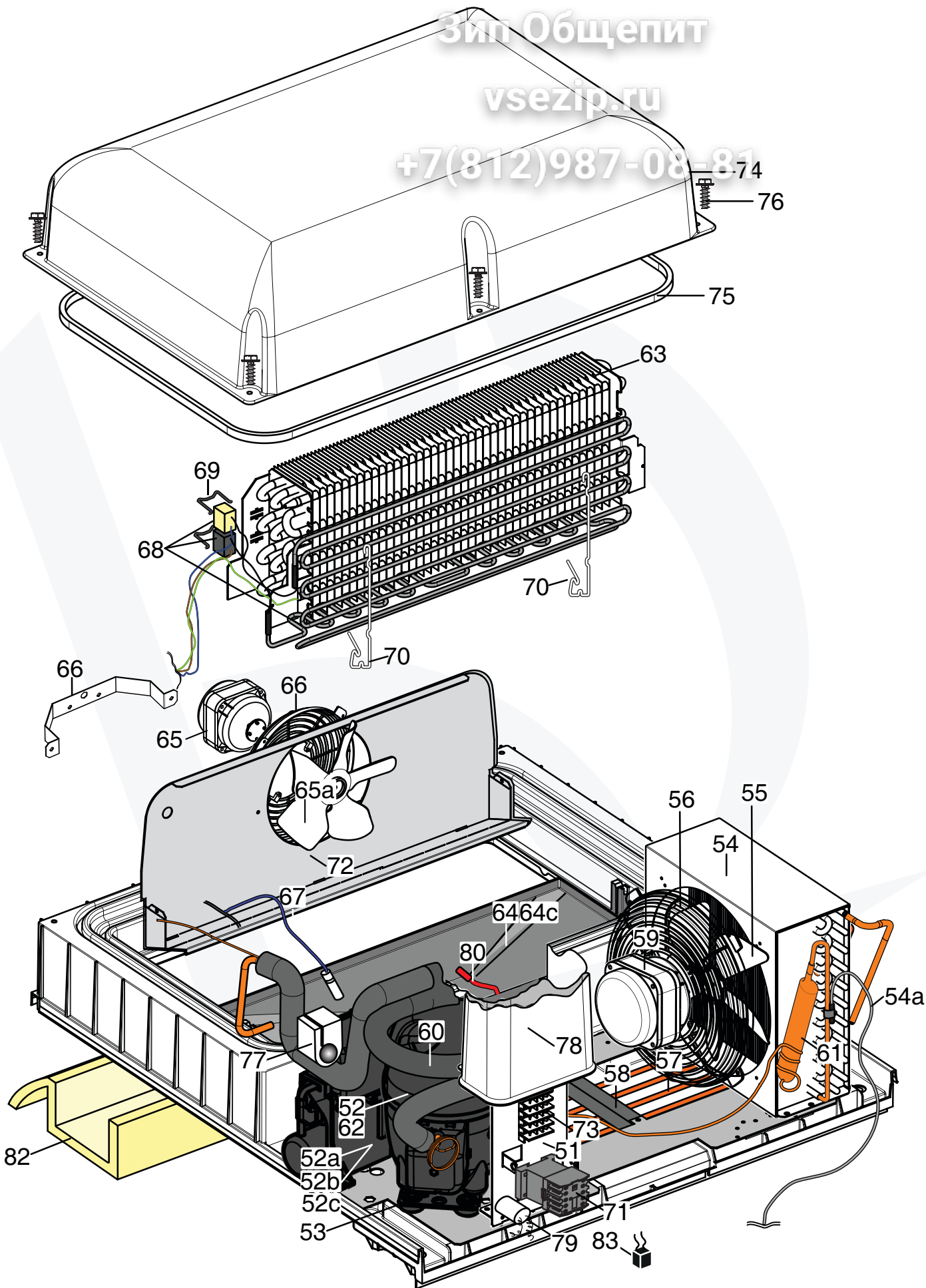
|                     |
|---------------------|
| <b>Indice</b>       |
| Armadio e porta     |
| Gruppo refrigerante |
| Pannello comandi    |
| Lista ricambi       |

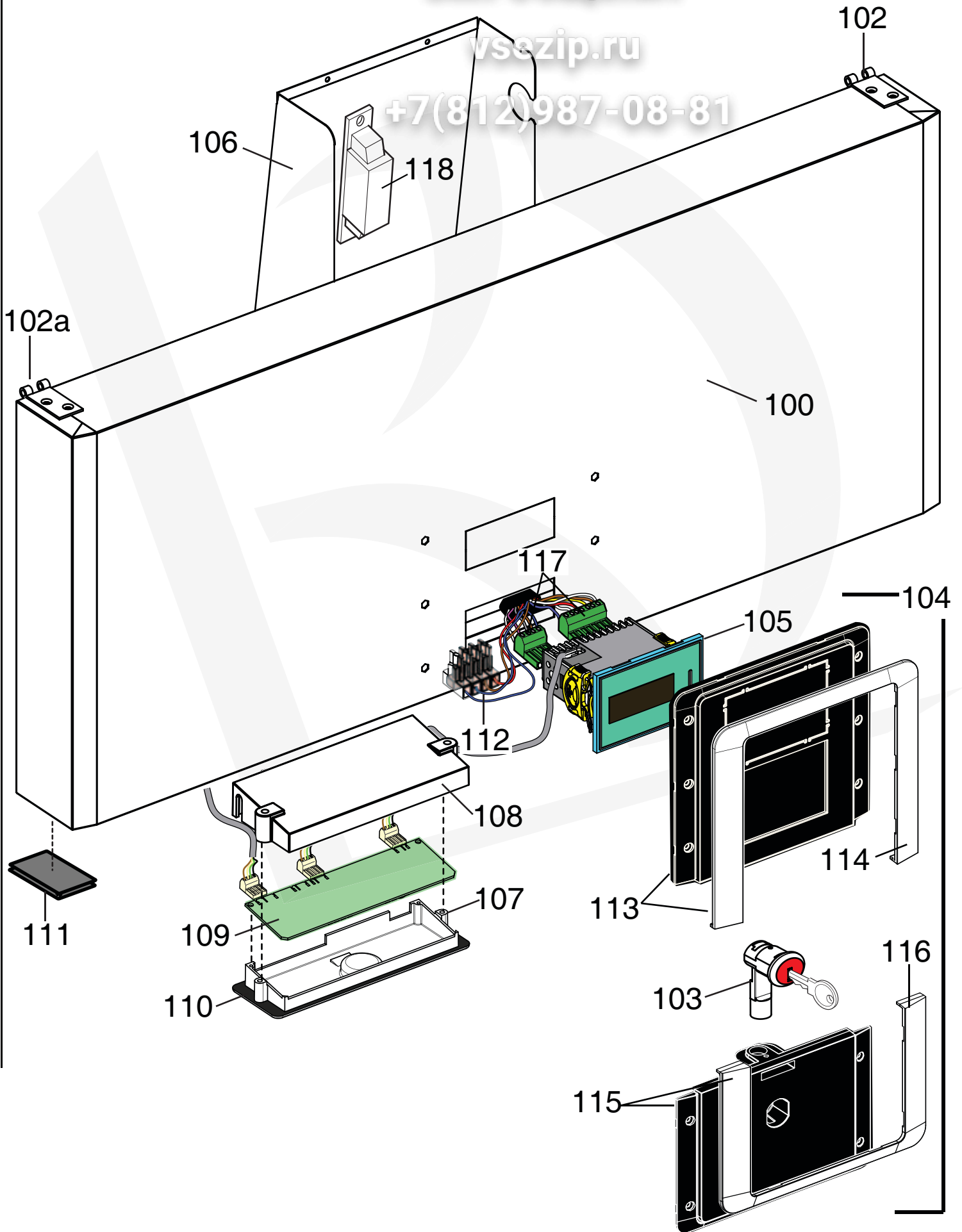


Зип-Общепит

vsezip.ru

+7(812)987-08-81





|        |      |        |      |        |      |        |      |        |      |        |      |        |      |
|--------|------|--------|------|--------|------|--------|------|--------|------|--------|------|--------|------|
| PNC    | Ref. | PNC    | Ref. | PNC    | Ref. | PNC    | Ref. | PNC    | Ref. | PNC    | Ref. | PNC    | Ref. |
| 727253 | a    | 727254 | a    | 110121 | b    | 727342 | c    | 728645 | d    | 727255 | e    | 110122 | f    |
| 728647 | g    | 727256 | h    | 110123 | i    | 728648 | l    | 727343 | m    | 728720 | n    | 728721 | o    |

| Pos | Spare parts code | Factory code | Descrizione | Description | Ref - Note |
|-----|------------------|--------------|-------------|-------------|------------|
|-----|------------------|--------------|-------------|-------------|------------|

|     |        |           |                                     |                                     |         |
|-----|--------|-----------|-------------------------------------|-------------------------------------|---------|
| 1   | 093243 | 541R05001 | Piedino                             | Foot                                |         |
| 1a  | 093244 | 518R02600 | Piedino anteriore porta vetro       | Back foot glass door                |         |
| 2   | 093245 | 217555204 | Vite per plastica per piedino       | Screw ( use by fix foot)            |         |
| 3   | 093246 | 518708601 | Vite M8x20 per fiss. staffa sup/inf | Screw M8X20 ( use by fix bracket)   |         |
| 4   | 093247 | 502R17400 | Staffa supporto fianchi             | Side support (upper)                |         |
| 5   | 093248 | 546R22800 | Distanziale per piede               | Foot spacer                         |         |
| 6   | 093355 | 501R36201 | Cremagliera anteriore               | Front Rack                          |         |
| 6a  | 093356 | 501R48300 | Cremagliera posteriore dx 304       | Right back rack                     |         |
| 6b  | 093357 | 501R36101 | Cremagliera posteriore sx 304       | Left back rack                      |         |
| 7   | 093358 | 501R48000 | Guida Sx                            | Left support                        |         |
| 8   | 093359 | 501R48200 | Guida Dx                            | Right support                       |         |
| 9   | 093252 | 514R10600 | Griglia 2/1 rilsan                  | Grid 2/1 rilsan                     |         |
| 9   | 093360 | 514R10700 | Griglia 2/1 aisi 304                | Grid 2/1 aisi 304                   | d,g,l   |
| 10  | 093253 | 514R12200 | Griglia di fondo rilsan             | Bottom grid rilsan                  |         |
| 10  | 093296 | 514R12100 | Griglia di fondo aisi 304           | Bottom grid aisi 304                | d,g,l   |
| 11  | 093493 | 501R56400 | Carter interno 304                  | Internal protection aisi 304        |         |
| 12  | 093254 | 832R09001 | Cornice orrizzontale                | Orrizzontal frame                   |         |
| 13  | 093255 | 832R09101 | Cornice verticale                   | Vertical frame                      |         |
| 13b | 093256 | 832R09300 | Cornice verticale 1/2 porte         | Vertical frame 1/2 doors            |         |
| 13a | 093330 | 617R06700 | Cavo riscaldante cornice 22,5 W     | Heating cable frame 22,5 W          |         |
| 13c | 093331 | 617R07500 | Cavo riscaldante cornice 1/2 porte  | Heating cable frame half doors 28 W |         |
| 14  | 093523 | 835R25102 | Porta con guarnizione e cerniere    | Gasket, hinge and door              |         |
| 15  | 093524 | 835R25002 | Porta                               | Door                                |         |
| 16  | 093257 | 548R06801 | Guarnizione porta pv/pc             | Gasket door ( gl/fl)                |         |
| 17  | 082219 | 835704001 | Cerniera porta                      | Hinge door                          |         |
| 18  | 081654 | 544700601 | Boccola per porta                   | Door bush                           |         |
| 19  | 093341 | 833R21600 | Staffa inferiore porta              | Lower stirrup door                  |         |
| 20  | 082257 | 505723801 | Staffa superiore porta              | Upper stirrup door                  |         |
| 21  | 093271 | 541R05300 | Tappo per cerniere                  | Hole hinge plug                     |         |
| 22  | 093575 | 835R24900 | Ruota rotante con freno             | Brake weel                          | c,m,n,o |
| 23  | 093574 | 835R24800 | Ruota rotante                       | Weel                                | c,m,n,o |
| 24  | 093342 | 880R64100 | Traversa per 1/2 porte a304         | Support half door a304              |         |
| 25  | 093272 | 543R09901 | Cornice per traversa                | Support half door frame             |         |
| 26  | 093363 | 501R51700 | Cremagliera ant. 1/2 porte sup.     | Upper rack 1/2 doors a304           |         |
| 27  | 093364 | 501R46100 | Cremagliera ant. 1/2 porte 304 inf. | Lower rack 1/2 doors a304           |         |

|            |             |            |             |            |             |            |             |            |             |            |             |            |             |
|------------|-------------|------------|-------------|------------|-------------|------------|-------------|------------|-------------|------------|-------------|------------|-------------|
| <b>PNC</b> | <b>Ref.</b> | <b>PNC</b> | <b>Ref.</b> | <b>PNC</b> | <b>Ref.</b> | <b>PNC</b> | <b>Ref.</b> | <b>PNC</b> | <b>Ref.</b> | <b>PNC</b> | <b>Ref.</b> | <b>PNC</b> | <b>Ref.</b> |
| 727253     | <b>a</b>    | 727254     | <b>a</b>    | 110121     | <b>b</b>    | 727342     | <b>c</b>    | 728646     | <b>d</b>    | 727255     | <b>e</b>    | 110122     | <b>f</b>    |
| 728647     | <b>g</b>    | 727256     | <b>h</b>    | 110123     | <b>i</b>    | 728643     | <b>l</b>    | 727343     | <b>m</b>    | 728720     | <b>n</b>    |            |             |

| <b>Pos</b> | <b>Spare parts code</b> | <b>Factory code</b> | <b>Descrizione</b>                    | <b>Description</b>                  | <b>Ref - Note</b> |
|------------|-------------------------|---------------------|---------------------------------------|-------------------------------------|-------------------|
| 28         | 093546                  | 835R26302           | Ass.1/2 porta superiore a304          | Upper half door a304                |                   |
| 29         | 093519                  | 835R25502           | Ass.1/2 porta inferiore a304          | Lower half door a304                |                   |
| 30         | 093273                  | 548R07100           | Guarnizione magnetica 1/2 porte       | Half door gasket                    |                   |
| 31         | 093392                  | 546R21100           | Boccola per cerniera 1/2 porte        | Half door bush                      |                   |
| 32         | 093301                  | 833R21900           | Ass. staffa inf.( reversibile) pv/pc  | Lower hinge assembly                |                   |
| 33         | 093344                  | 505R12400           | Cerniera centrale                     | Central hinge door                  |                   |
| 34         | 093433                  | 833R21100           | Serratura                             | Serratura                           |                   |
| 35         | 093549                  | 880R57701           | Ass. porta vetro con cerniere e guar. | Glass door ass. of hinge and gasket |                   |
| 36         | 093496                  | 879R15900           | Porta vetro bt                        | Glass door bt                       |                   |
| 37         | 093535                  | 546R22400           | Tappo sup. dx pv                      | Upper right plug door GL            |                   |
| 38         | 093536                  | 546R22300           | Tappo sup. sx pv                      | Upper left plug door GL             |                   |
| 39         | 093537                  | 546R22500           | Tappo inf. dx pv                      | Lower right plug door GL            |                   |
| 40         | 093538                  | 546R22200           | Tappo inf. sx pv                      | Lower left plug door GL             |                   |
| 41         | 093349                  | 505R12700           | Staffa superiore pv                   | Upper hinge GL                      |                   |
| 42         | 093301                  | 833R21900           | Ass. staffa inf.( reversibile) pv/pc  | Lower bracket ( reversible)         |                   |
| 43         | 093320                  | 835R28100           | Ass cerniera sup pv                   | Upper hinge GL                      |                   |
| 44         | 093517                  | 546R23100           | Boccola per cerniera PV               | Hinge bush GL                       |                   |
| 45         | 093303                  | 880R60701           | Ass. lampada completo                 | Light support assembly              |                   |
| 46         | 093350                  | 661R01000           | Lampada 28W                           | Neon 28W                            |                   |
| 47         | 093258                  | 546R22600           | Frontale lampada                      | Protection light                    |                   |
| 48         | 093351                  | 501R49500           | Tappo chiusura luce                   | Plug of clousure                    |                   |
| 49         | 093352                  | 546R23200           | Ferma cavo                            | Wiring stopper                      |                   |
| 50         | 093321                  | 501R50200           | Fermo lampada                         | Stopper light                       |                   |
| 51         | 093332                  | 501R41503           | Supporto impianto elettrico           | Electrical wiring support           |                   |
| 52         | 092785                  | 684R04300           | Compressore (NT2178GK) 220/50 hz      | Compressor (NT2178GK) 220/50hz      |                   |
| 52a        | *                       | *                   | Relè avviamento                       | Start relay                         |                   |
| 52b        | *                       | *                   | Protettore                            | Protector                           |                   |
| 52c        | *                       | *                   | Condensatore di avviamento            | Start capacitor                     |                   |
| 53         | 099872                  | 541714500           | Gommino per compressore               | Rubber compressor                   |                   |
| 54         | 093333                  | 830R04900           | Condensatore 4R 11T                   | Condenser 4R 11T                    |                   |
| 54A        | 092360                  | 646R09400           | Sonda condensatore                    | Probe condenser                     |                   |
| 55         | 089697                  | 511708800           | Ventola 230-31 (elco)                 | Ventola 230-31(elco)                |                   |
| 56         | 089755                  | 546709500           | Protezione ventola                    | Fan protection                      |                   |
| 57         | 093277                  | 515R13700           | Serpentina evap. acqua di condensa    | Evaporation water pipe              |                   |
| 58         | 093260                  | 543R09300           | Fissaggio serpentina                  | Stopper pipe                        |                   |
| 59         | 093334                  | 682R05300           | Ventilatore condensatore (elco)       | Condenser ventialtor (elco)         |                   |
| 60         | 093451                  | 858R07900           | Scambiatore                           | Heat exchanger                      |                   |
| 61         | 084078                  | 805729800           | Filtro                                | Dehidrator filter                   |                   |
| 62         | 0A8171                  | A02021800           | Valvola per compressore               | Compressor valve (charge or disch.) |                   |
| 63         | 093335                  | 830R04001           | Evaporatore 3R 8T                     | Evaporator 2R 8T                    |                   |
| 64         | 093278                  | 833R21201           | Vaschetta evaporatore                 | Evaporator tray                     |                   |

|            |             |            |             |            |             |            |             |            |             |            |             |            |             |
|------------|-------------|------------|-------------|------------|-------------|------------|-------------|------------|-------------|------------|-------------|------------|-------------|
| <b>PNC</b> | <b>Ref.</b> | <b>PNC</b> | <b>Ref.</b> | <b>PNC</b> | <b>Ref.</b> | <b>PNC</b> | <b>Ref.</b> | <b>PNC</b> | <b>Ref.</b> | <b>PNC</b> | <b>Ref.</b> | <b>PNC</b> | <b>Ref.</b> |
| 727253     | <b>a</b>    | 727254     | <b>a</b>    | 110121     | <b>b</b>    | 727342     | <b>c</b>    | 728646     | <b>d</b>    | 727255     | <b>e</b>    | 110122     | <b>f</b>    |
| 728647     | <b>g</b>    | 727256     | <b>h</b>    | 110123     | <b>i</b>    | 728643     | <b>i</b>    | 727343     | <b>m</b>    | 728720     | <b>n</b>    |            |             |

| <b>Pos</b> | <b>Spare parts code</b> | <b>Factory code</b> | <b>Descrizione</b>                 | <b>Description</b>                 | <b>Ref - Note</b>       |
|------------|-------------------------|---------------------|------------------------------------|------------------------------------|-------------------------|
| 64c        | 093409                  | 548R07200           | Isolante per vaschetta evaporatore | Insulation for evaporator tray     |                         |
| 65         | 093417                  | 682R06100           | Ventilatore evaporatore (MES)      | Evaporator fan (MES)               | up to 226070.. (2012)   |
| 65         | 093410                  | 682R06500           | Ventilatore evaporatore (EBM)      | Evaporator fan (EBM)               | from to 227070.. (2012) |
| 65a        | 093418                  | 541R05500           | Ventola 150 MES                    | Fan 150 MES                        | up to 226070.. (2012)   |
| 65a        | 093411                  | 511R01100           | Ventola EBM                        | Fan EBM                            | from to 227070.. (2012) |
| 66         | 093326                  | 501R45101           | Staffa ventilatore                 | Fan support                        | up to 226070.. (2012)   |
| 66         | 093412                  | 514R12300           | Griglia ebm rilsan                 | Fan support (EBM)                  | from to 227070.. (2012) |
| 67         | 092174                  | 646R06800           | Sonda cella                        | Cell probe                         |                         |
| 68         | 093347                  | 617R06200           | Resistenza con termo. 3-4R 400W    | Heating element with thermostat    |                         |
| 69         | 093487                  | 514R11600           | Molla per fissaggio termostati     | Thermostat spring                  |                         |
| 70         | 093516                  | 514R11200           | Molla per fissaggio resistenza 3R  | Heating element spring 3R          |                         |
| 71         | 088557                  | 648727100           | Teleruttore                        | Contacteur                         |                         |
| 72         | 093314                  | 501R44801           | Convogliatore evaporatore 2 fori   | Evaporator conveyer                | up to 226070.. (2012)   |
| 72         | *                       | 501R71900           | Convogliatore evaporatore EBM      | Evaporator conveyer (EBM)          | from to 227070.. (2012) |
| 73         | 093528                  | 639R09900           | Morsettiera                        | Clamp                              |                         |
| 74         | 093261                  | 835R24100           | Assieme Calotta                    | Evaporator cover                   |                         |
| 75         | 093262                  | 14701r003           | Neoprene espanso 8x13,3 nero (M4)  | Gasket cover ( neoprene 8x13,3)    |                         |
| 76         | 093245                  | 217555204           | Vite senza punta x plastica        | Cover screw                        |                         |
| 77         | 093614                  | 546R25800           | Tamponcino per tubi                | Pipe cover insulation              |                         |
| 78         | 093264                  | 541R04801           | Copertura impianto elettrico       | Wiring cover                       |                         |
| 79         | 092257                  | 694R00500           | Filtro antidisturbo                | Electrical filter                  | a,b,c,d,h,i,l,m,n,o     |
| 80         | 093415                  | 617R07800           | Resistenza scarico condensa        | Drain heating                      |                         |
| 81         | 093371                  | 646R10900           | Sonda ambiente                     | Ambient probe                      |                         |
| 82         | 093489                  | 559R01900           | Coibentazione carter               | Air blanketing                     |                         |
| 83         | 084987                  | 694700800           | Filtro proc.                       | Filter proc.                       | e,f,g                   |
| 99         | 093591                  | 880R51905           | Cruscotto senza mascherina A304    | Panel without template A304        | a,b,c,d,n               |
| 99         | 093584                  | 880R61105           | Cruscotto senza masch. aisi 304 PV | Panel without template aisi 304 GL | e,f,g                   |
| 100        | 093525                  | 509R13403           | Cruscotto comandi                  | Panel 304 AISI                     |                         |
| 102        | 093609                  | 832R10100           | Cerniera per cruscotto dx          | Hinge for panel (right)            |                         |
| 102a       | 093610                  | 832R10200           | Cerniera per cruscotto sx          | Hinge for panel (left)             |                         |
| 104        | 093383                  | 855R11100           | Ass.macherina porta/cruscotto Elux | Complete template door and panel   | a,c,e,h                 |
| 104        | 093384                  | 855R11200           | Ass.macherina porta/cruscotto Zan  | Complete template door and panel   | b,f,i                   |
| 104        | 093385                  | 855R11300           | Ass.macherina porta/cruscotto Apx  | Complete template door and panel   | d,g,l,n                 |
| 105        | 093437                  | 646R10601           | Termoregolatore ir33 premium pc    | Thermoregulator premium            | To be setted            |
| 106        | 093295                  | 501R37402           | Protezione                         | Protection led-lamp                |                         |

| PNC    | Ref.     | PNC    | Ref.     | PNC    | Ref.     | PNC    | Ref.     | PNC    | Ref.     | PNC    | Ref.     | PNC    | Ref.     |
|--------|----------|--------|----------|--------|----------|--------|----------|--------|----------|--------|----------|--------|----------|
| 727253 | <b>a</b> | 727254 | <b>a</b> | 110121 | <b>b</b> | 727342 | <b>c</b> | 728646 | <b>d</b> | 727255 | <b>e</b> | 110122 | <b>f</b> |
| 728647 | <b>g</b> | 727256 | <b>h</b> | 110123 | <b>i</b> | 728648 | <b>j</b> | 727343 | <b>k</b> | 728720 | <b>n</b> |        |          |

| Pos | Spare parts code | Factory code | Descrizione                        | Description                        | Ref - Note      |
|-----|------------------|--------------|------------------------------------|------------------------------------|-----------------|
| 107 | 093386           | 546R19501    | Supporto scheda led                | Support led-lamp                   |                 |
| 108 | 093387           | 546R19600    | Protezione scheda led              | Protection led-lamp                |                 |
| 109 | 093388           | 648R05500    | Scheda led depotenziata            | Led-lamp board                     |                 |
| 110 | 093390           | 569R05900    | Guarnizione per scheda led         | Ledlamp board gasket               |                 |
| 111 | 093269           | 541R05400    | Tappo per cerniera porta           | Door hinge plug                    |                 |
| 112 | 093391           | 639R10400    | Morsetto                           | Clamp                              |                 |
| 113 | *                | 855R10200    | Ass. mascherina cruscotto Elux     | Assembled template panel Elux      | a,c,e,h,m       |
| 113 | *                | 855R10300    | Ass. mascherina cruscotto Zan      | Assembled template panel Zan       | b,f,i           |
| 113 | *                | 855R10400    | Ass. mascherina cruscotto Apx      | Assembled template panel Apx       | d,g,l,n,o       |
| 114 | *                | 546R20000    | Cornice mascherina cruscotto elux  | Template frame for panel Elux      | a,c,e,h         |
| 114 | *                | 546R20100    | Cornice mascherina cruscotto Z/Apx | Template frame for panel Z/Apx     | b,d,f,g,i,l,n,o |
| 115 | *                | 855R10500    | Ass. mascherina porta Elux         | Assembled template door Elux       | a,c,e,h         |
| 115 | *                | 855R10600    | Ass. mascherina porta Zan          | Assembled template door Zan        | b,f,i           |
| 115 | *                | 855R10700    | Ass. mascherina porta Apx          | Assembled template door Apx        | d,g,l,n,o       |
| 116 | *                | 546R20200    | Cornice mascherina porta Elux      | Control door frame Elux            | a,c,e,h         |
| 116 | *                | 546R20300    | Cornice mascherina porta Z/Apx     | Control door frame Z/Apx           | b,d,f,g,i,l,n,o |
| *   | 093491           | 217541085    | Vite per fissaggio mascherina M3x8 | Screws M3X8 for control door/panel |                 |
| 117 | *                | 639R06800    | Connettore dritto 3 vie            | Connector 3 ways right             |                 |
| 117 | *                | 639R06900    | Connettore dritto 7 vie            | Connector 7 ways right             |                 |
| 117 | 099740           | *            | Connettore 90° 7 vie               | Connector 7 ways 90°               |                 |
| 117 | 099741           | *            | Connettore 90° 5 vie               | Connector 5 ways 90°               |                 |
| 117 | 088998           | *            | Connettore 90° 3 vie               | Connector 3 ways 90°               |                 |
| 117 | 099743           | *            | Connettore 90° 3 vie piccolo       | Connector 3 ways 90° small         |                 |
| 117 | 099742           | *            | Connettore 90° 2 vie               | Connector 2 ways 90°               |                 |
| 117 | 091682           | *            | Connettore 90° 4 vie               | Connector 4 ways 90°               |                 |
| 117 | 091684           | *            | Connettore 90° 5 vie               | Connector 5 ways 90°               |                 |
| *   | 093180           | 639R09600    | Convertitore spina UK              | UK plug converter                  | c,m,n,o         |
| 118 | 093270           | 624R01400    | Alimentatore                       | Light power                        | e,f,g           |
|     |                  |              |                                    |                                    |                 |
|     |                  |              |                                    |                                    |                 |