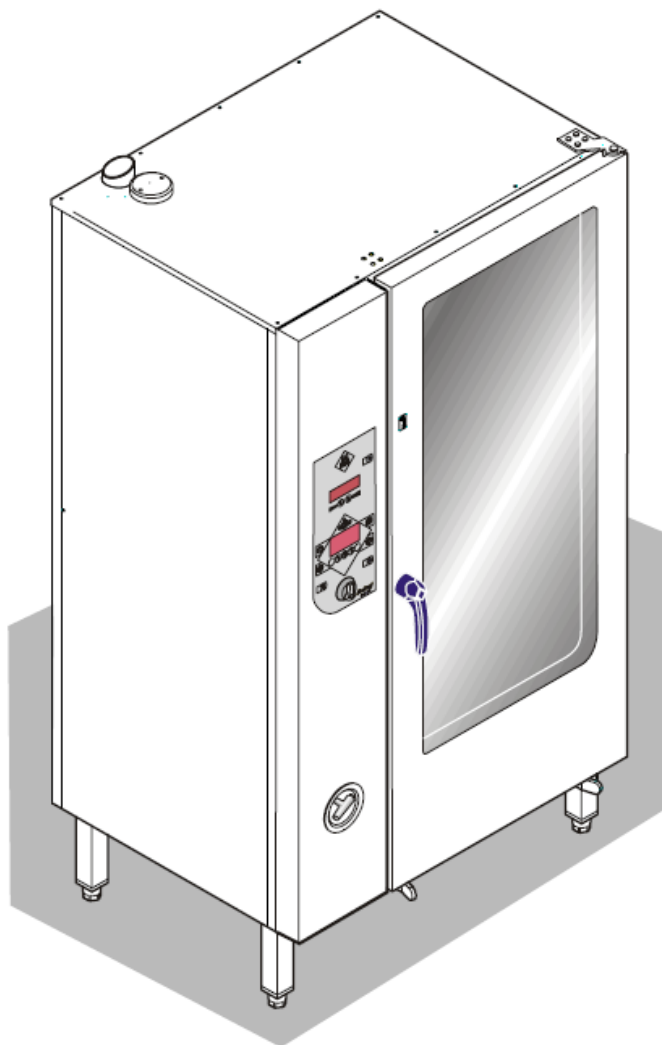


vsezip.ru  
en

+7(812)987-08-81  
Exploded drawings

# Electric and Gas Combisteamer Gold

European CE-Version



Model	Serial-No. / date	
	from	thru
<b>Software:</b>	Version 4.00	
HansDampf 6.x, right hinged	12212149 / Oct. 2012	-
HansDampf 6.x, left hinged	12212288 / Nov. 2012	-
HansDampf 10.x right hinged	12211027 / Oct. 2012	-
HansDampf 10.x left hinged	12213195 / Nov. 2012	-
HansDampf 20.x right hinged	12200172 / Jan. 2007	-
HansDampf 20.x left hinged	12200172 / Jan. 2007	-

2013/01/07 SEV/KA

vsezip.ru  
**New cabinet door and door gasket for 6.x & 10.x**

**+7(812)987-08-81**

From October 2012 the cabinet door incl. door lock and gasket has been changed stepwise.

**Furthermore, the door gasket has been changed. The new one has the same dimensions, but because of the style the gasket is not downward compatible.**

Also door lock and collecting tray do not fit into old door types!

Unit type	Previous door seal no.	New door seal no.
6.x	#211094	#10012489
10.x	#211095	#10012490

vsezip.ru

**Contents**

New cabinet door and door gasket for 6.x & 10.x.....	2
Front panel HD6.x Gold.....	5
Front panel HD10.x Gold.....	6
Electric assembly 3NPE 400V HD6.1.....	7
Electric assembly 3NPE 400V HD6.2.....	8
Electric assembly 3NPE 400V HD10.1.....	9
Electric assembly 3NPE 400V HD10.2.....	10
Gas assembly HD6.1.....	11
Gas assembly HD6.2.....	12
Gas assembly HD10.1.....	13
Gas assembly HD10.2.....	14
Core temperature probe HD6.x & HD10.x.....	15
Tube carrier box & handshower HD6.x & HD10.x Electric.....	16
Tube carrier box & handshower 6.x & 10.x Gas.....	17
Water assembly 50Hz HD6.x & HD10.x.....	18
Chassis HD6.x Electric.....	19
Chassis HD10.x Electric.....	20
Chassis HD6.x Gas.....	21
Chassis HD10.x Gas.....	22
Chassis door area HD6.x, right hinged (Electric).....	23
Chassis door area HD6.x, left hinged (Electric).....	24
Chassis door area HD10.x, right hinged (Electric).....	25
Chassis door area HD10.x, left hinged (Electric).....	26
Chassis door area HD6.x, right hinged (Gas).....	27
Chassis door area HD6.x, left hinged (Gas).....	28
Chassis door area HD10.x, right hinged (Gas).....	29
Chassis door area HD10.x, left hinged (Gas).....	30
Front panel HD20.x Gold.....	32
Electric assembly 3NPEAC 400V HD20.1.....	33
Electric assembly 3NPEAC 400V HD20.2.....	34
Gas assembly HD20.1.....	35
Gas assembly HD20.2.....	36
Core temperature probe HD20.x.....	37
Tube carrier box & handshower HD20.x (Electric).....	38
Tube carrier box & handshower HD20.x Gas.....	39
Water assembly 50Hz HD20.x.....	40
Chassis HD20.x (Electric).....	41
Chassis HD20.x (Gas).....	42
Chassis door area HD20.x, right hinged (Electric).....	43
Chassis door area HD20.x, left hand hinged (Electric).....	44
Chassis door area HD20.x, right hinged (Gas).....	45
Chassis door area HD20.x, left hand hinged.....	46

---

vsezip.ru

+7(812)987-08-81

## **Exploded drawings 6.x & 10.x**

**Electric & Gas**

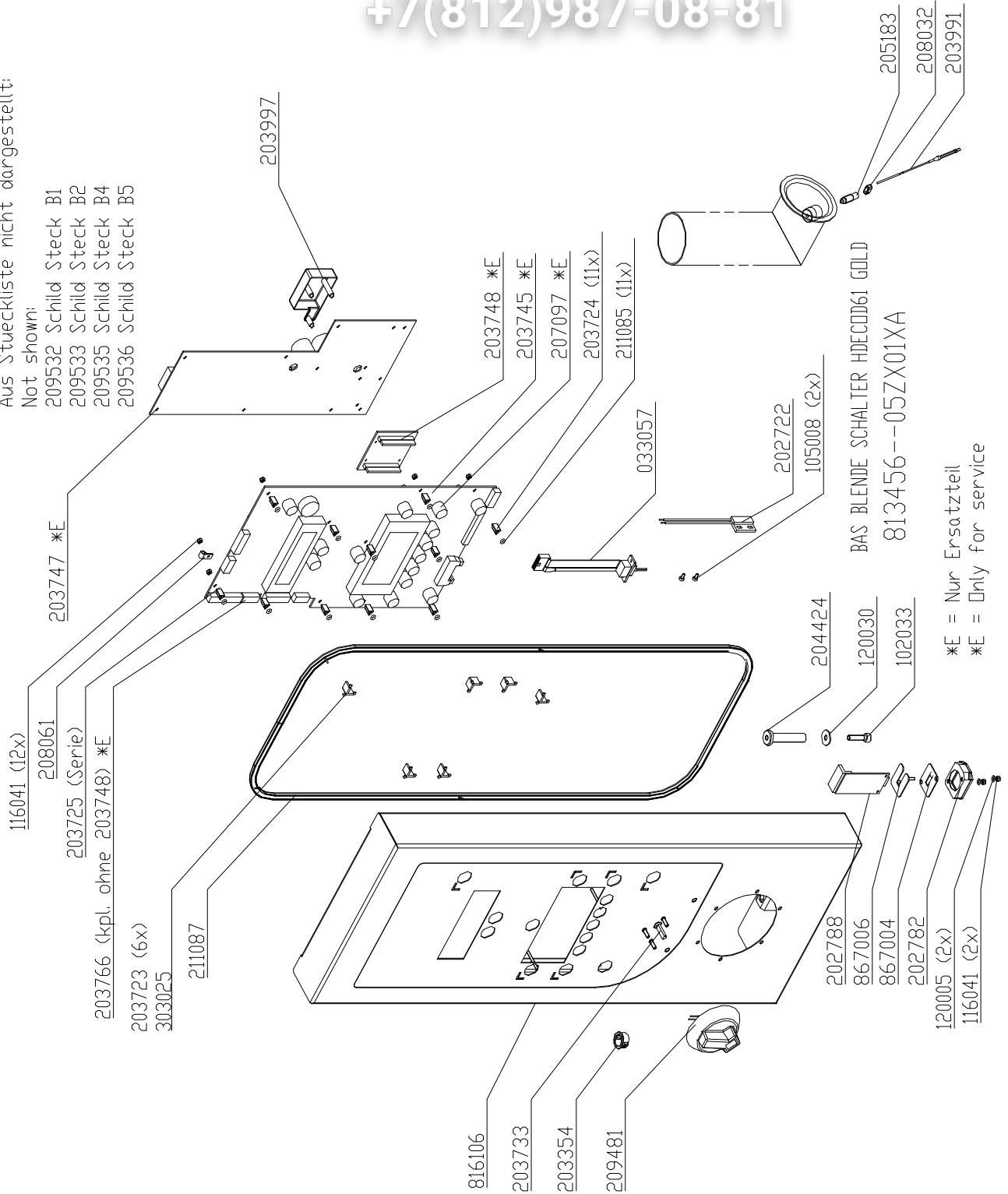
vsezip.ru

Front panel HD6.x Gold

+7(812)987-08-81

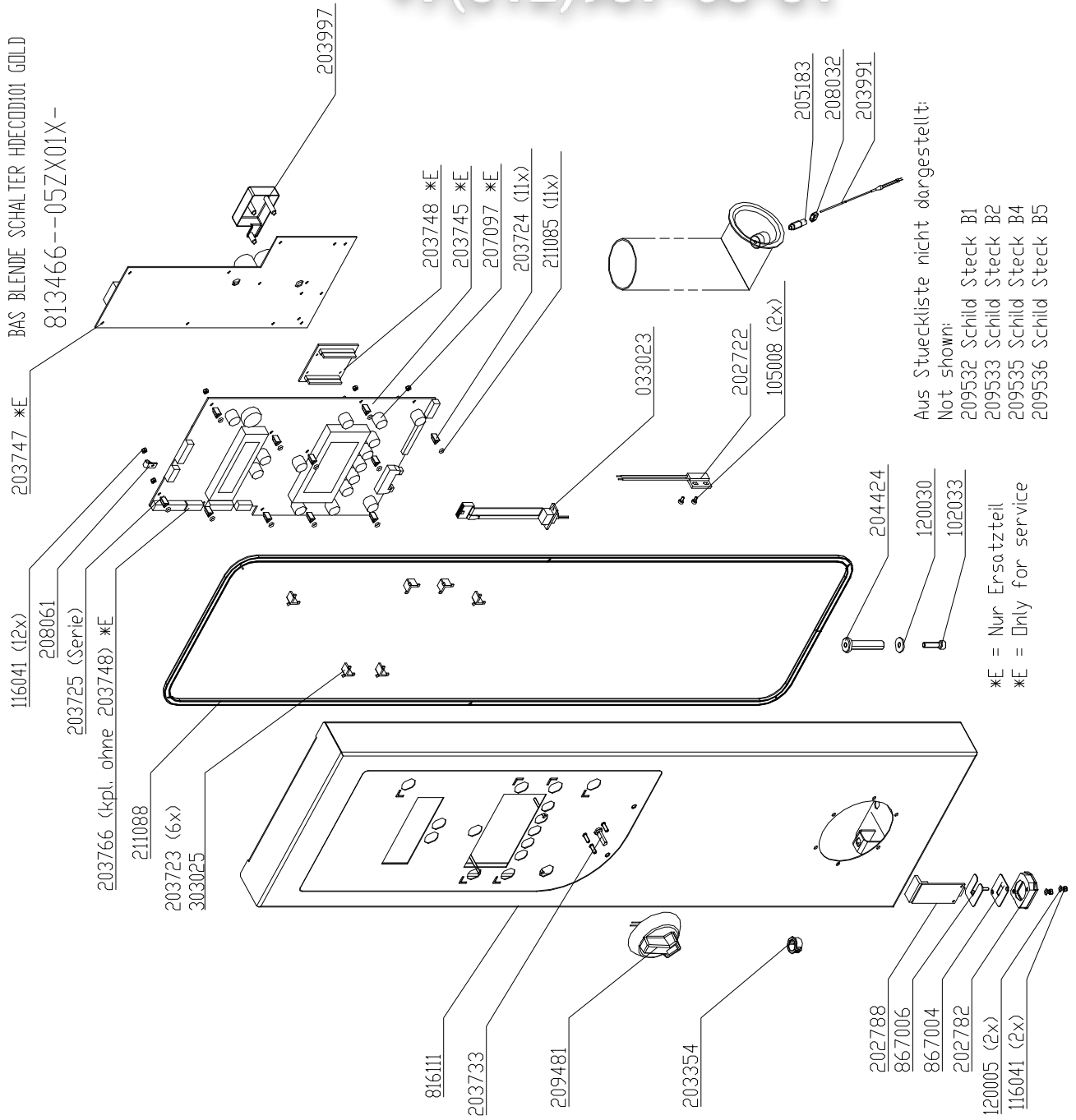
Aus Stueckliste nicht dargestellt:  
Not shown:

- 209532 Schild Steck B1
- 209533 Schild Steck B2
- 209535 Schild Steck B4
- 209536 Schild Steck B5



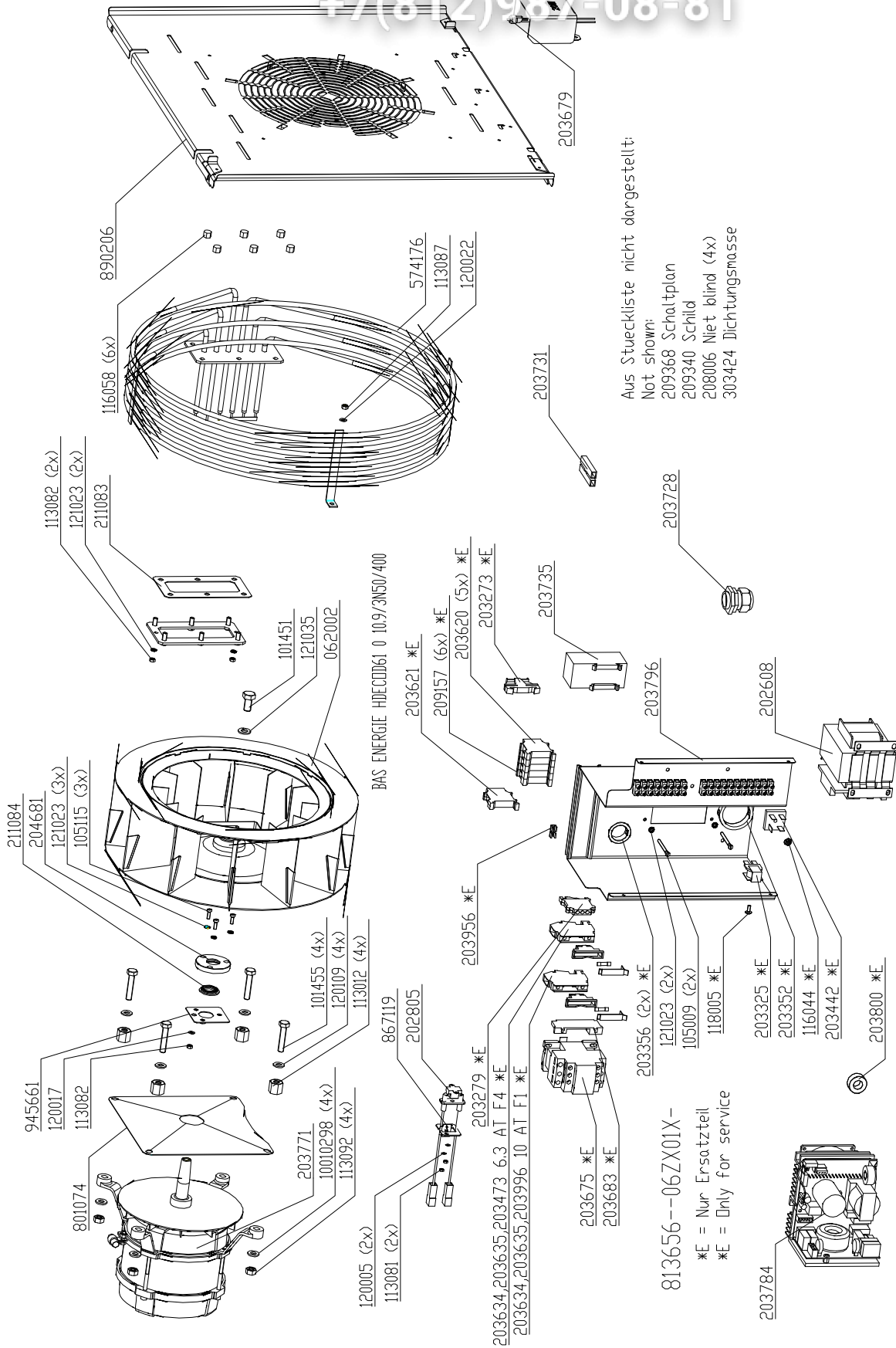
vsezip.ru  
**Front panel HD10.x Gold**

+7(812)987-08-81



Electric assembly 3NPE 400V HD6.1

vsezip.ru  
+7(812)987-08-81

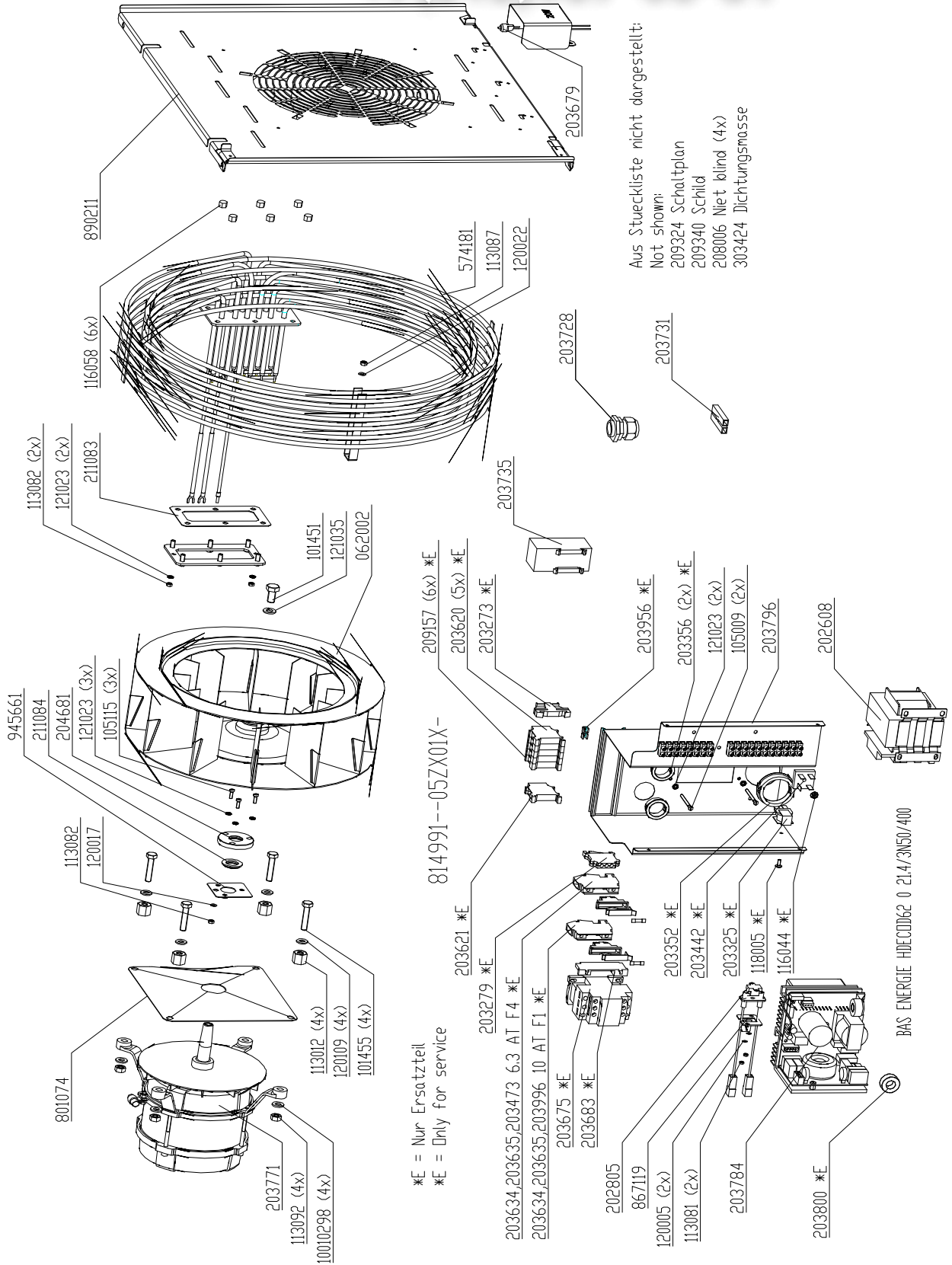


Aus Stueckliste nicht dargestellt:  
Not shown:  
209368 Schaltplan  
209340 Schild  
208006 Niet-blind (4x)  
303424 Dichtungsmasse

813656--06ZX01X-  
\*E = Nur Ersatzteil  
\*E = Only for service

Electric assembly 3NPE 400V HD6.2

+7(812)987-08-81



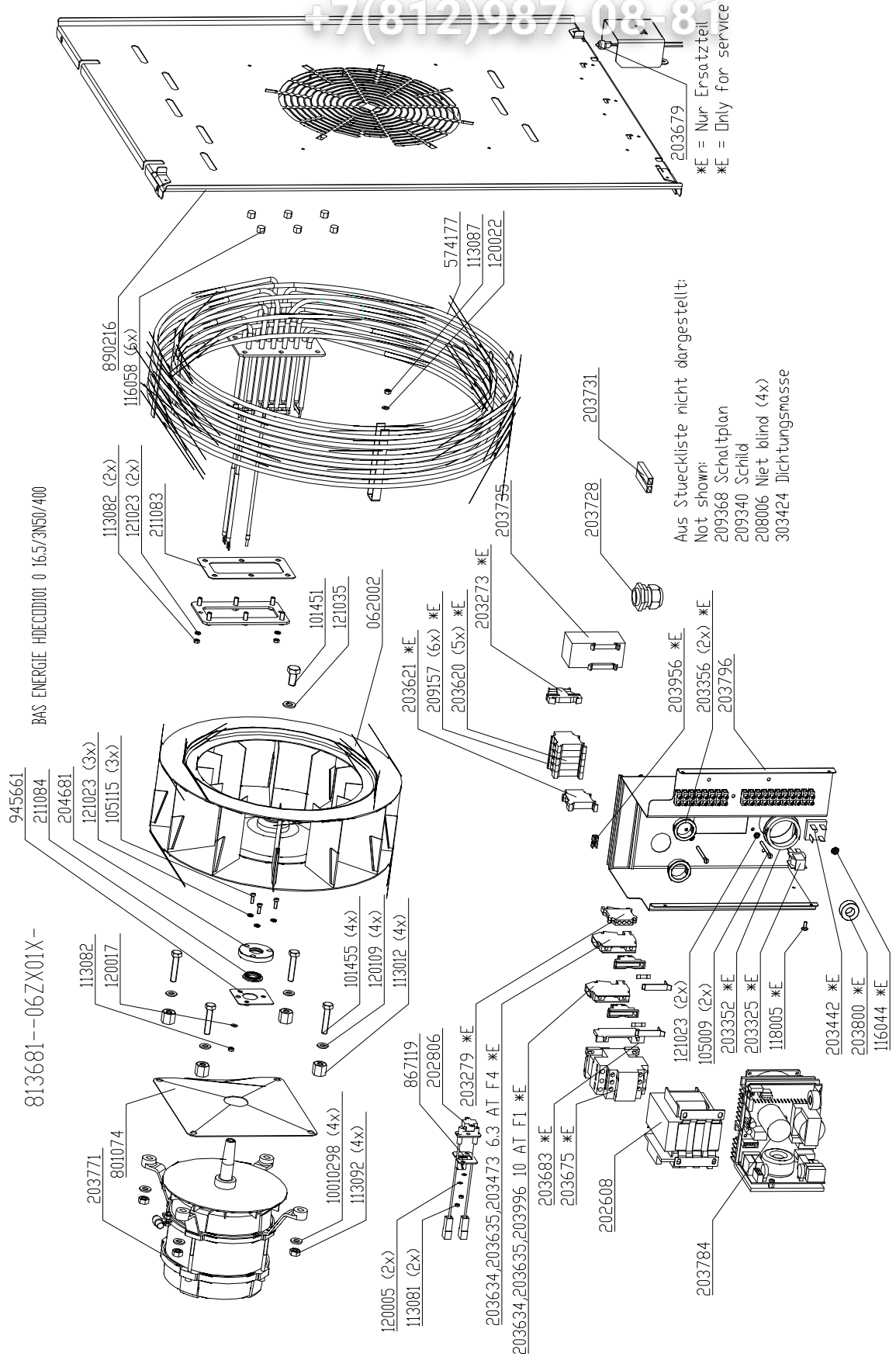
Aus Stueckliste nicht dargestellt:  
Not shown:  
209324 Schaltplan  
209340 Schild  
208006 Niet blind (4x)  
303424 Dichtungsmasse

\*E = Nur Ersatzteil  
\*E = Only for service



Electric assembly 3NPE 400V HD10.1

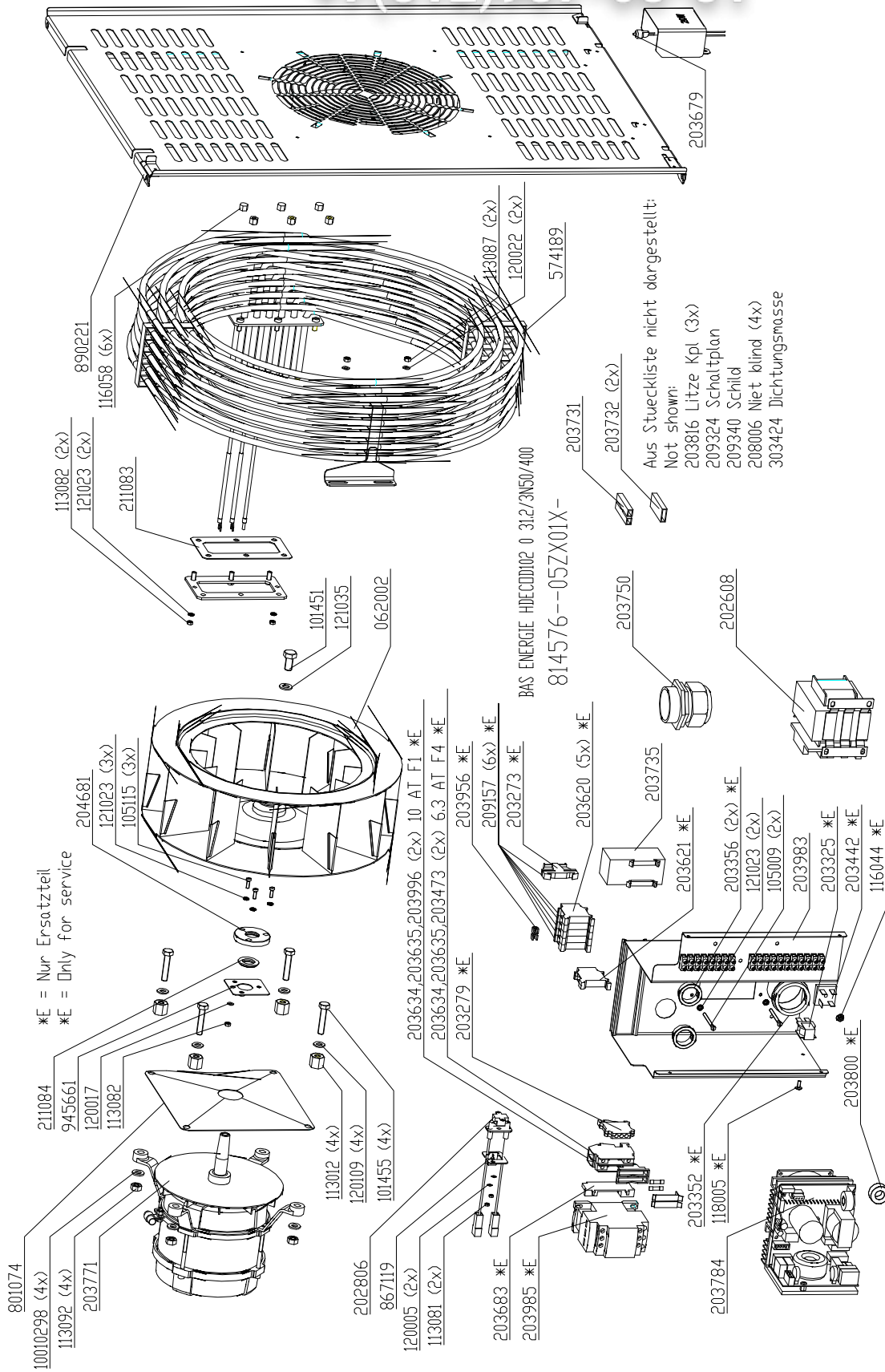
vsezip.ru  
+7(812)987-08-81



vsezip.ru

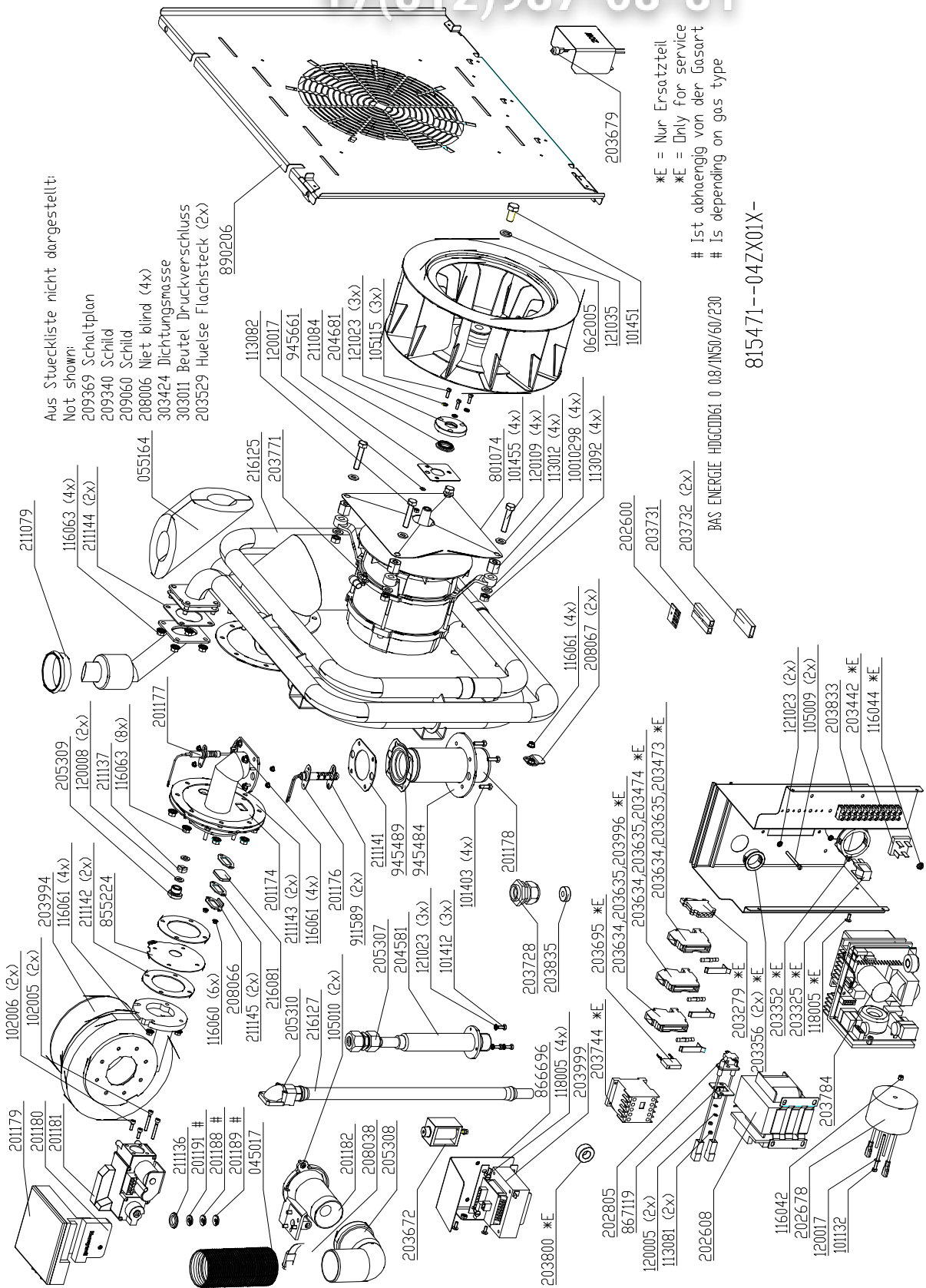
Electric assembly 3NPE 400V HD10.2

+7(812)987-08-81



vsezip.ru  
Gas assembly HD6.1

+7(812)987-08-81





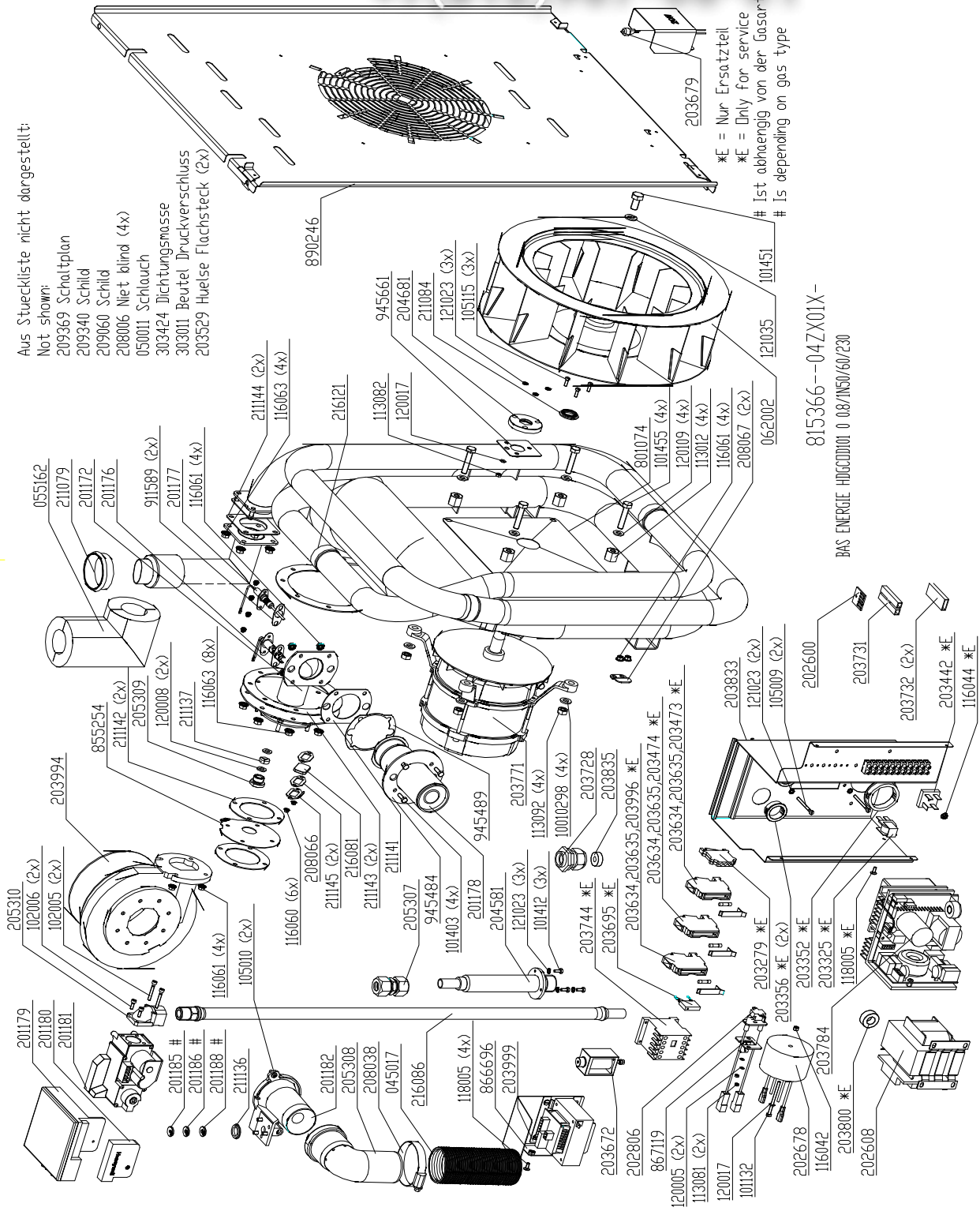


vsezip.ru  
Gas assembly HD10.1

+7(812)987-08-81

Aus Stückliste nicht dargestellt:  
Not shown:

- 209369 Schaltplan
- 209340 Schild
- 209060 Schild
- 208006 Niet klind (4x)
- 050011 Schlauch
- 303424 Dichtungsmasse
- 303011 Beutel Druckverschluss
- 203529 Hülse Flachsteck (2x)

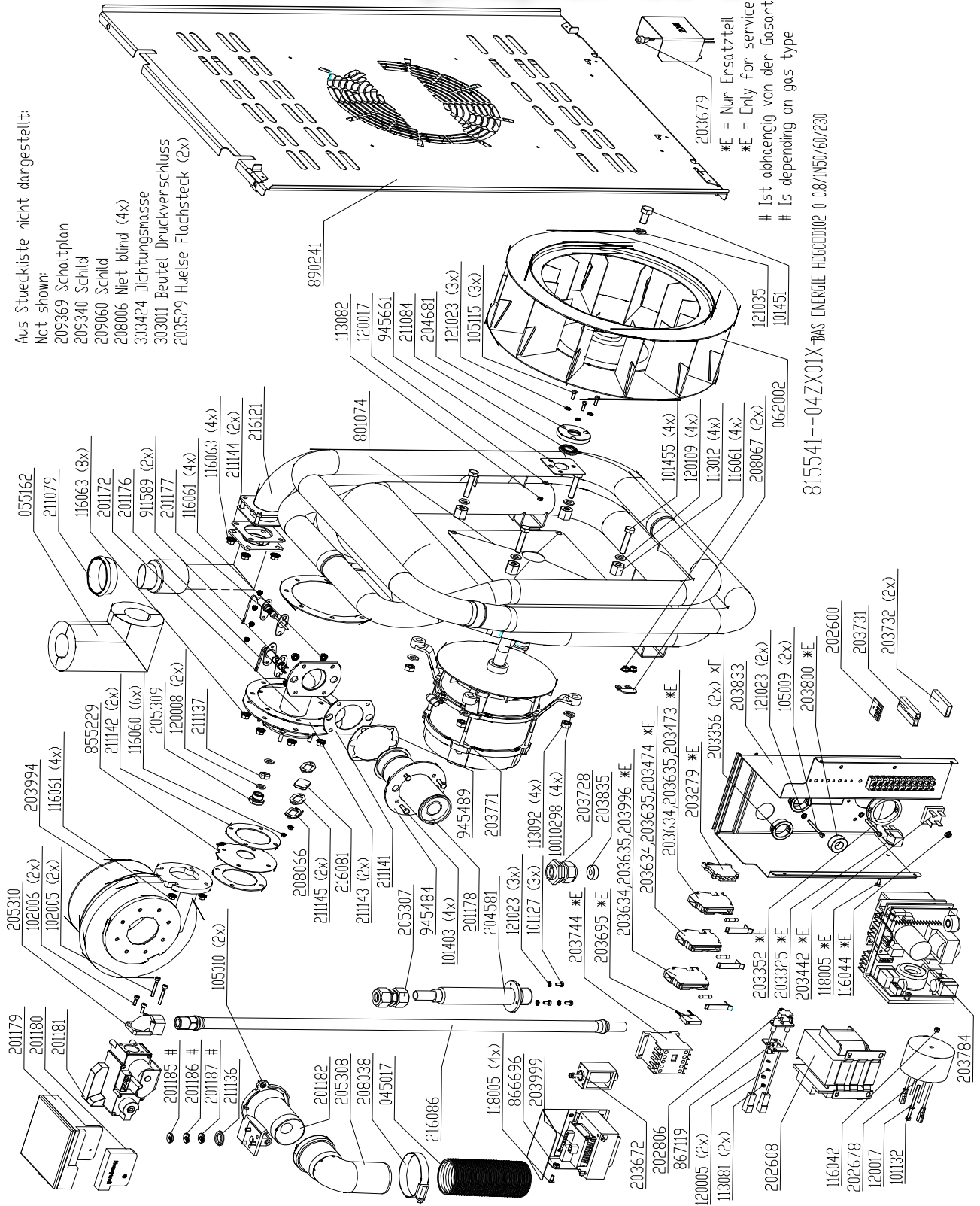


\*E = Nur Ersatzteil  
\*E = Only for service  
# Ist abhängig von der Gasart  
# Is depending on gas type

vsezip.ru Gas assembly HD10.2

+7(812)987-08-81

Aus Stueckliste nicht dargestellt:  
Not shown:  
209369 Schaltplan  
209340 Schild  
209060 Schild  
208006 Niet blind (4x)  
303424 Dichtungsmasse  
303011 Beutel Druckverschluss  
203529 Huelse Flachsteck (2x)

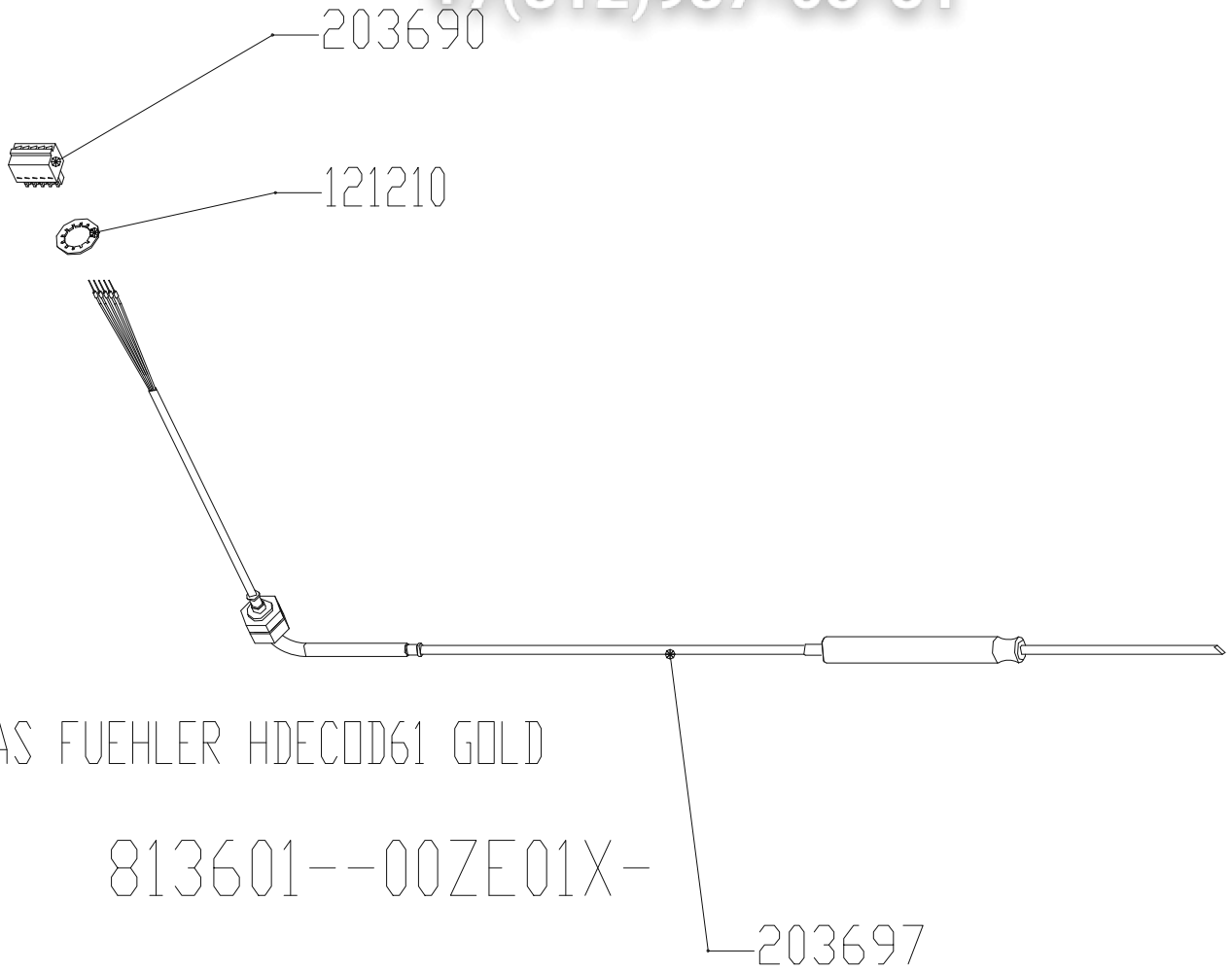


203679  
\*E = Nur Ersatzteil  
\*E = Only for service  
# Ist abhaengig von der Gasart  
# Is depending on gas type

815541--04ZX01X-BAS ENERGIE HD10D102 0 08/IN50/60/230

vsezip.ru  
Core temperature probe HD6.x & HD10.x

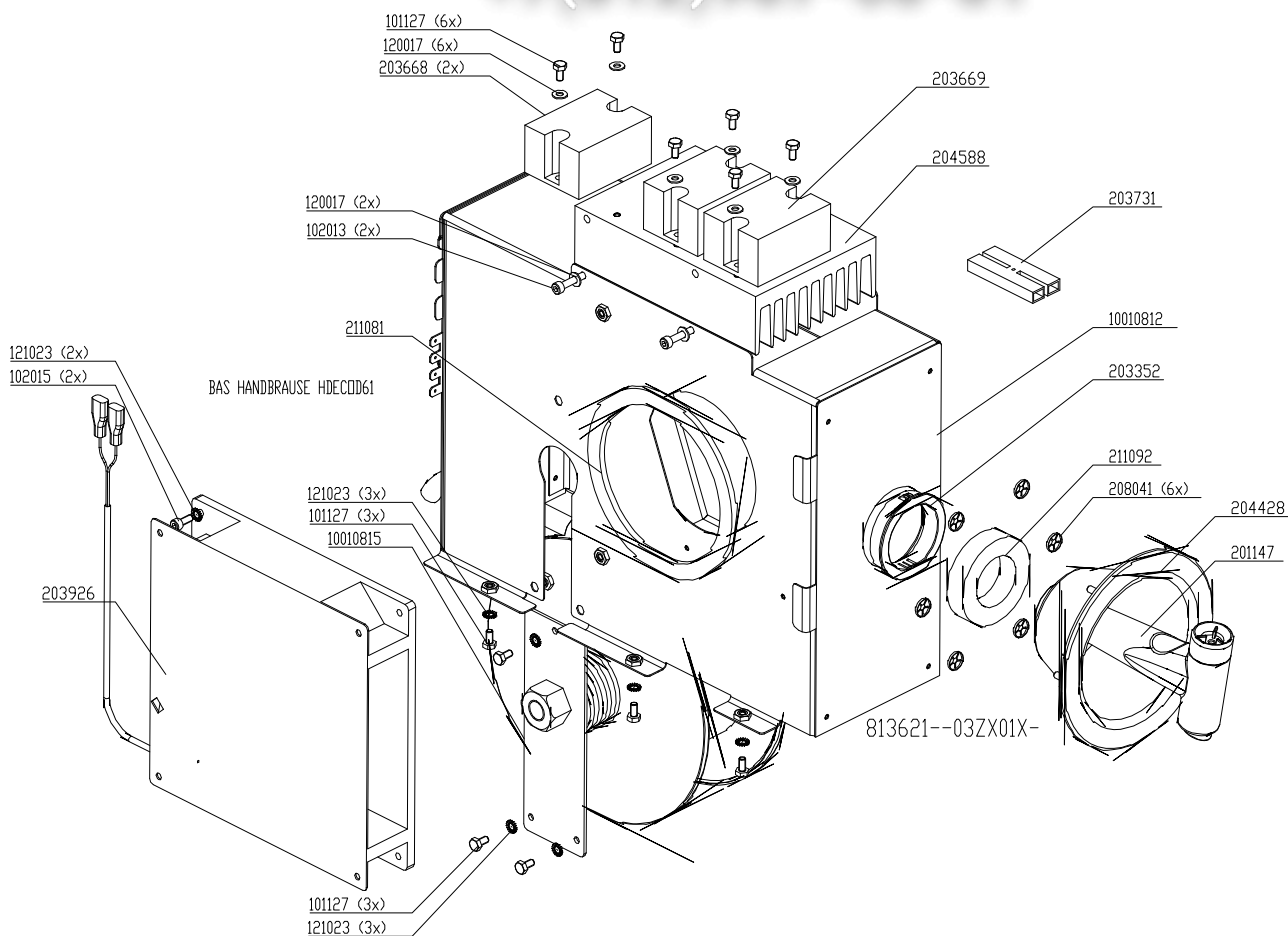
+7(812)987-08-81



BAS FUEHLER HDECOD61 GOLD

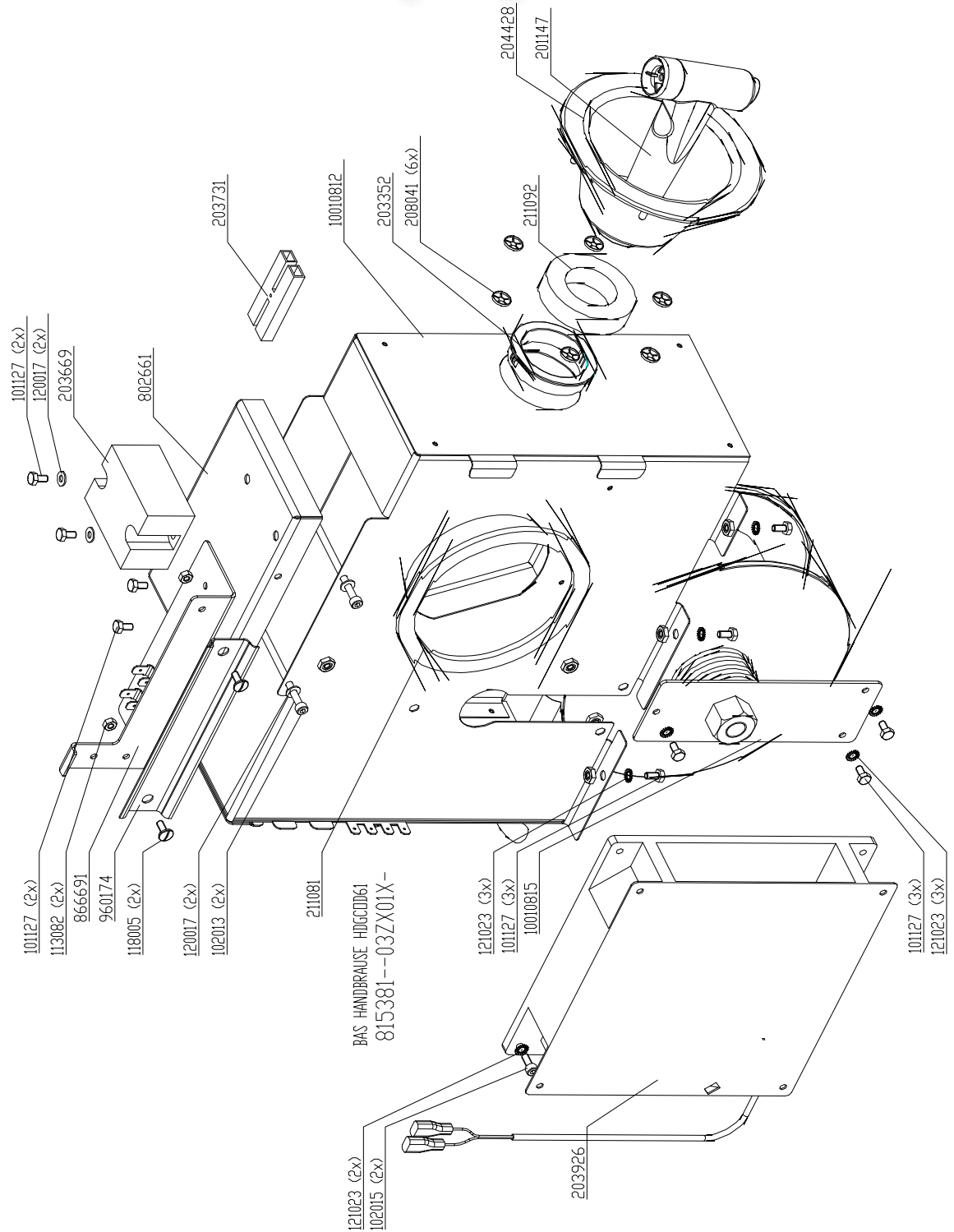
813601--00ZE01X-

vsezip.ru  
**Tube carrier box & handshower HD6.x & HD10.x Electric**  
**+7(812)987-08-81**

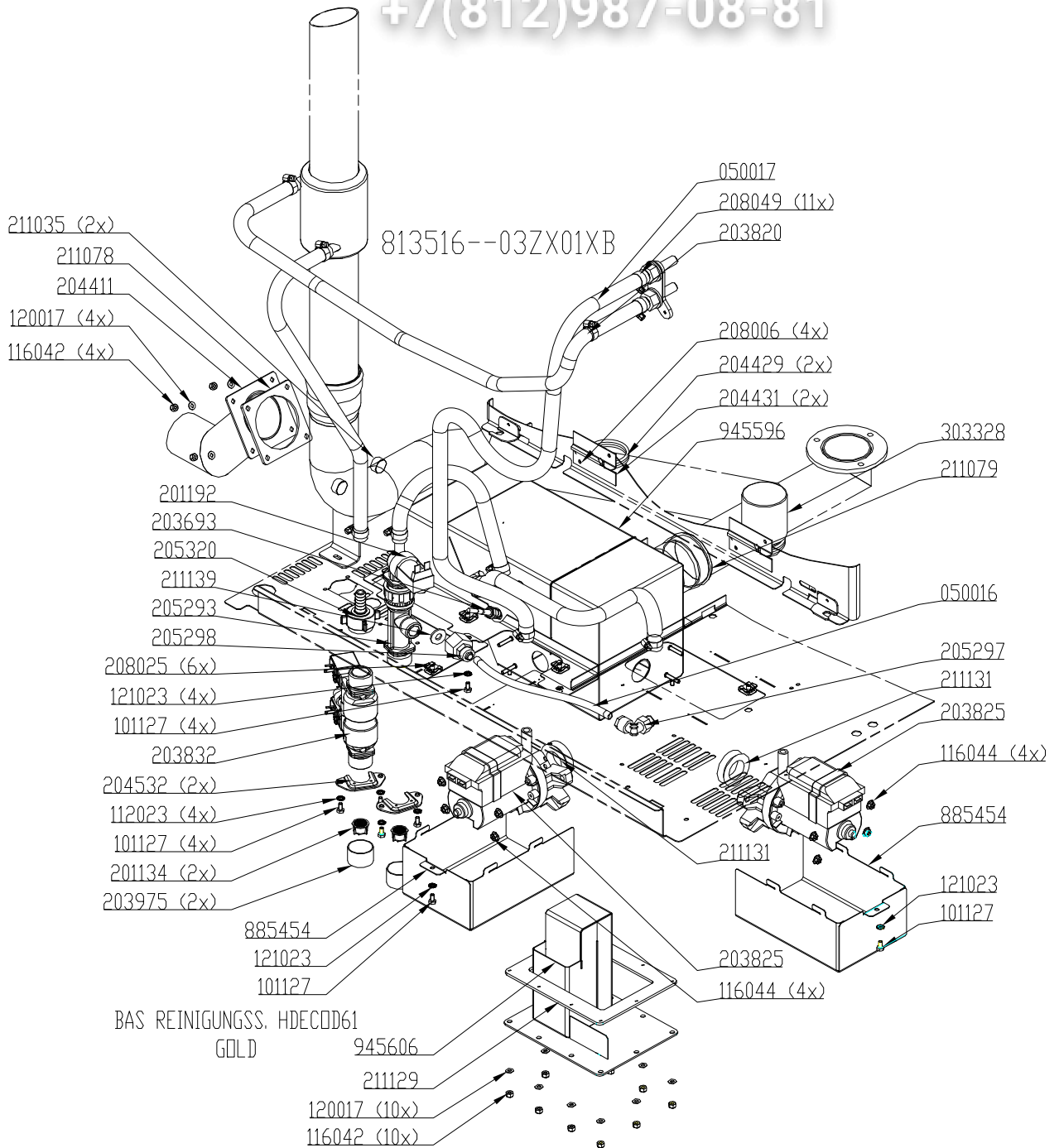




vsezip.ru  
Tube carrier box & handshower 6.x & 10.x Gas  
+7(812)987-08-81



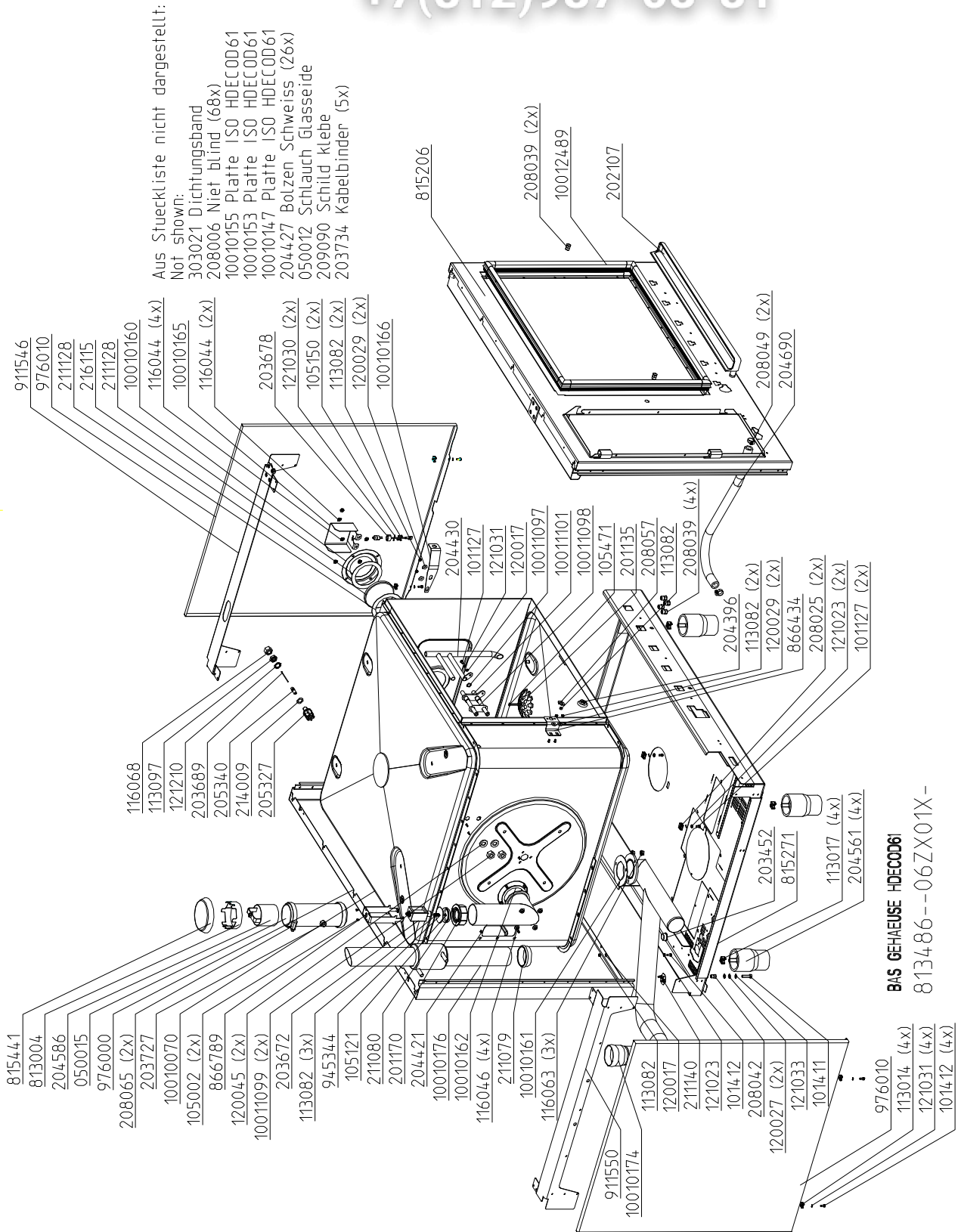
vsezip.ru  
**Water assembly 50Hz HD6.x & HD10.x**  
+7(812)987-08-81



Note! Part number for 60Hz pump = #203826

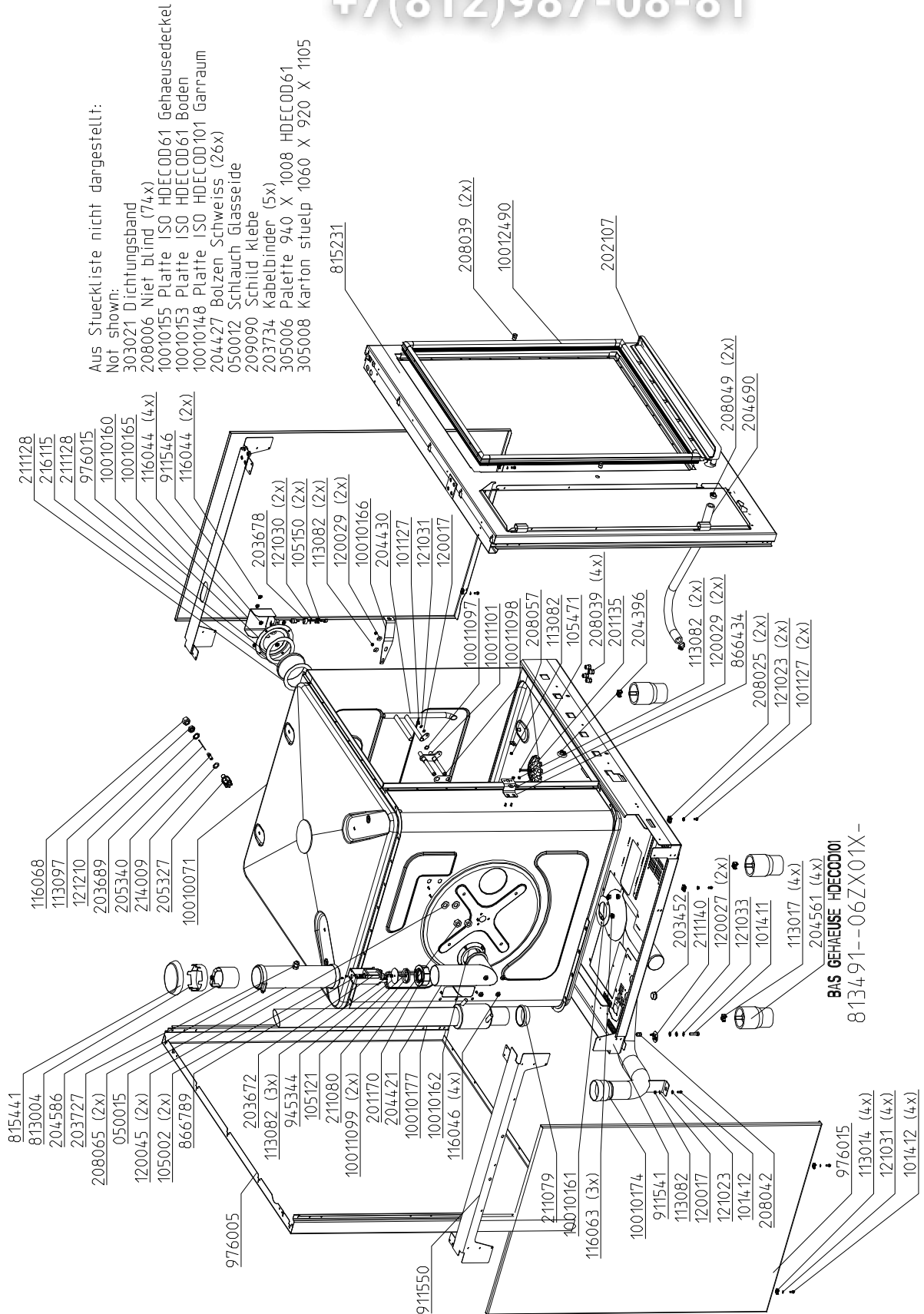
vsezip.ru  
Chassis HD6.x Electric

+7(812)987-08-81



vsezip.ru  
Chassis HD10.x Electric

+7(812)987-08-81

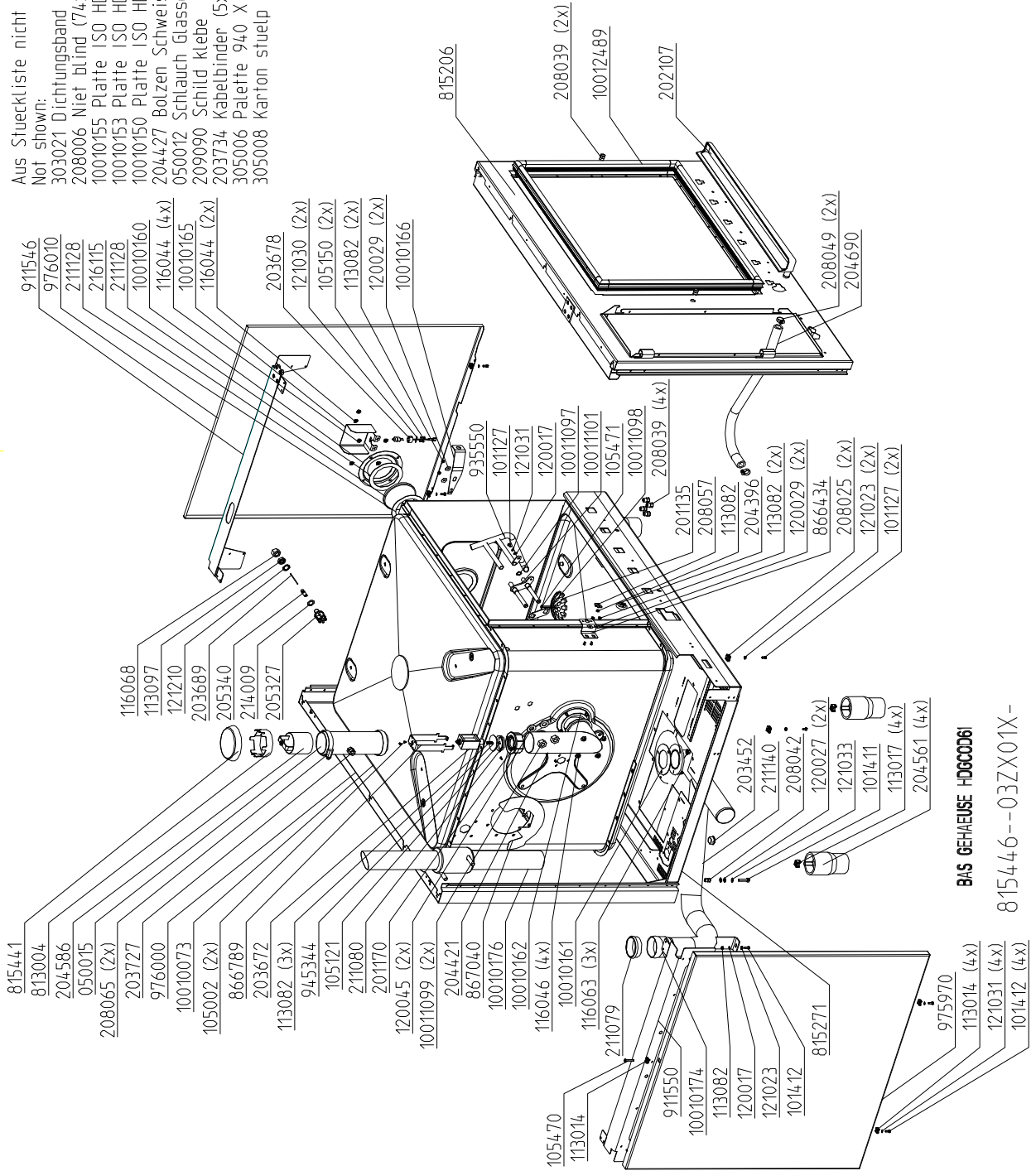


vsezip.ru  
Chassis HD6.x Gas

+7(812)987-08-81

Aus Stueckliste nicht dargestellt:

- Not shown:  
 303021 Dichtungsbund  
 208006 Niet blind (74x)  
 10010155 Platte ISO HDEC0061 Gehaeusedeckel  
 10010153 Platte ISO HDEC0061 Boden  
 10010150 Platte ISO HDGC0061 Garraum  
 204427 Bolzen Schweiß (26x)  
 050012 Schlauch Glasserde  
 209090 Schild klebe  
 203734 Kabelbinder (5x)  
 305006 Palette 940 X 1080 HDEC0061  
 305008 Kanton stueelp 1060 X 920 X 1105



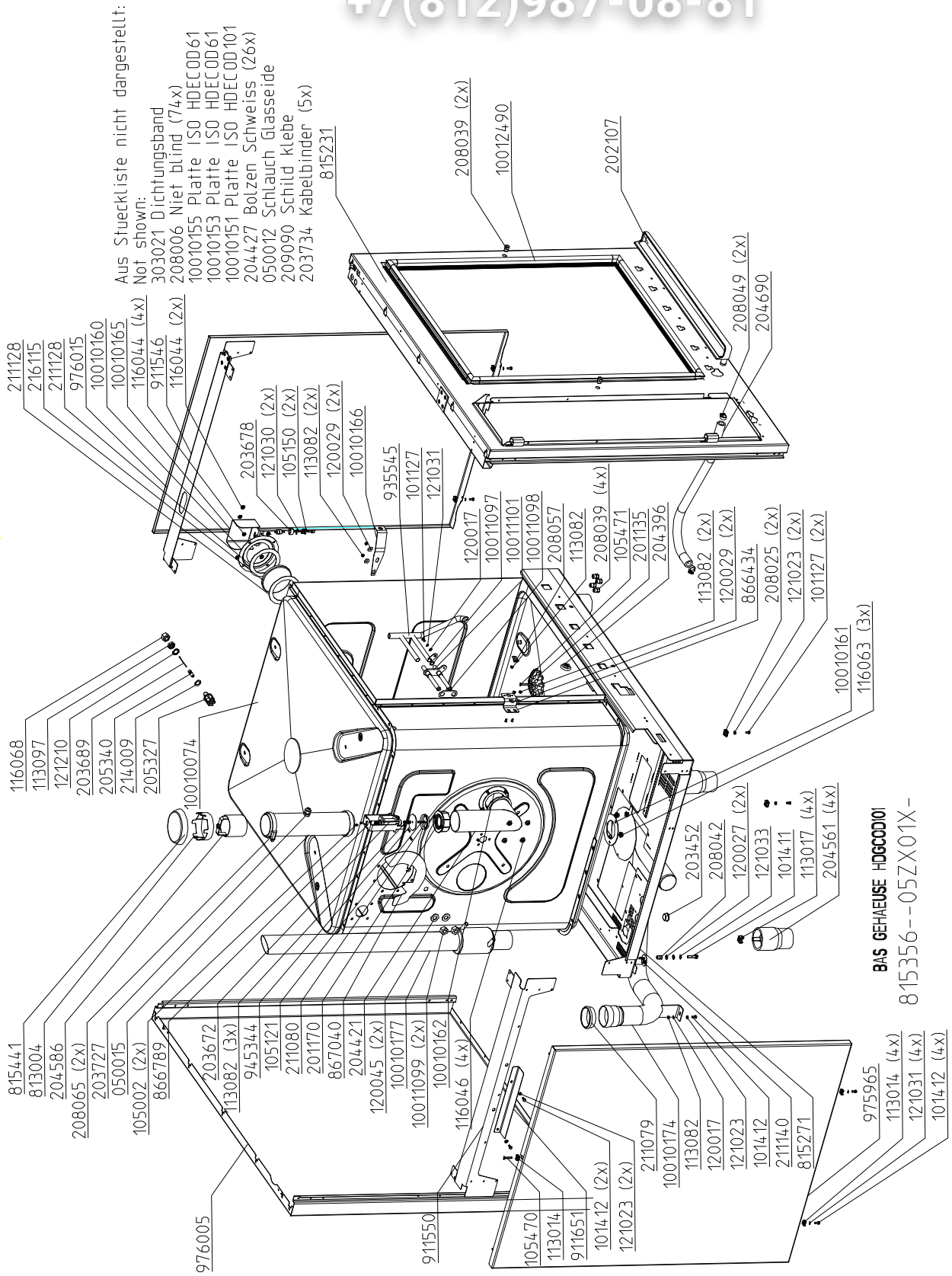
BAS GEHAUSE HDGC0061

815446--03ZX01X-



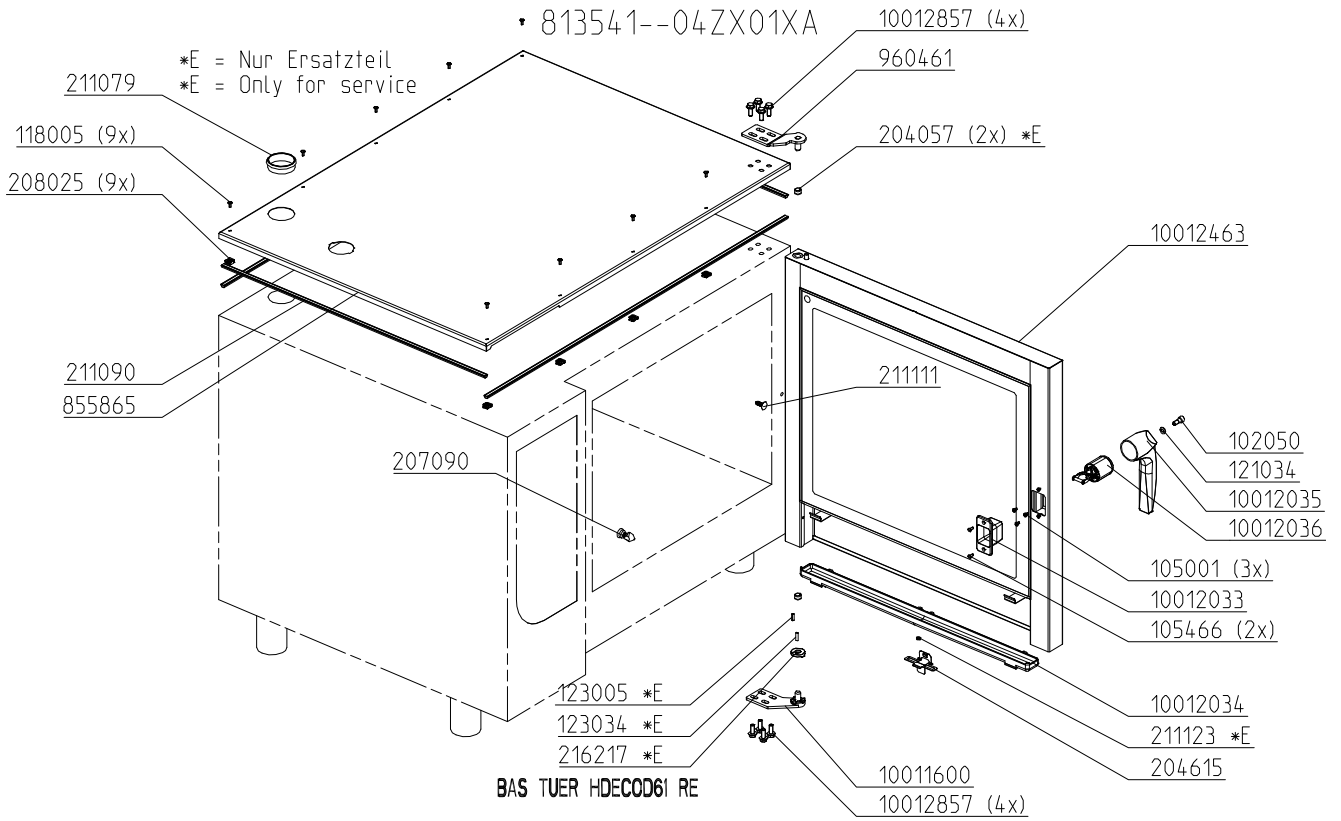
vsezip.ru  
Chassis HD10.x Gas

+7(812)987-08-81



vsezip.ru  
**Chassis door area HD6.x, right hinged (Electric)**

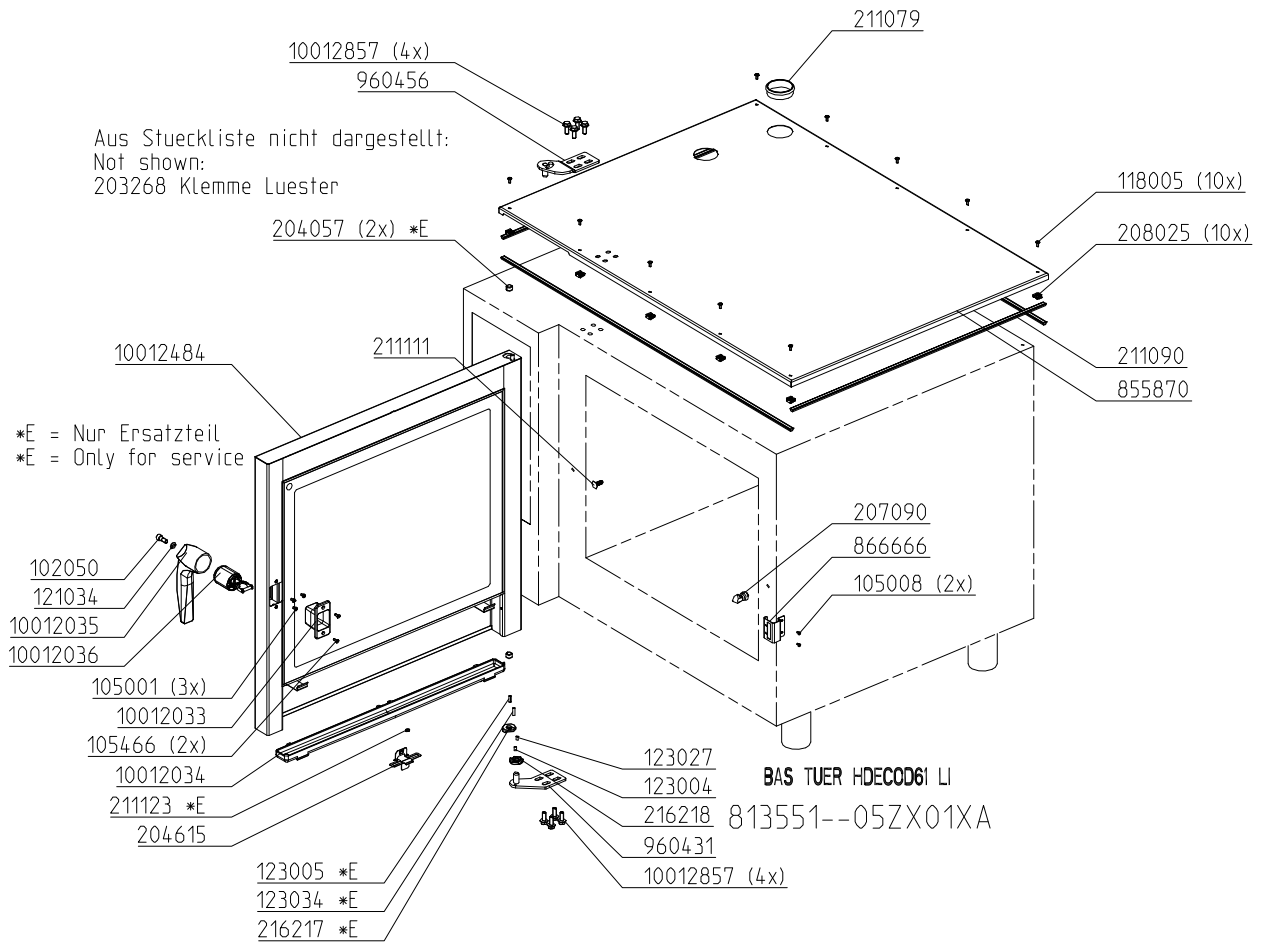
+7(812)987-08-81



vsezip.ru

Chassis door area HD6.x, left hinged (Electric)

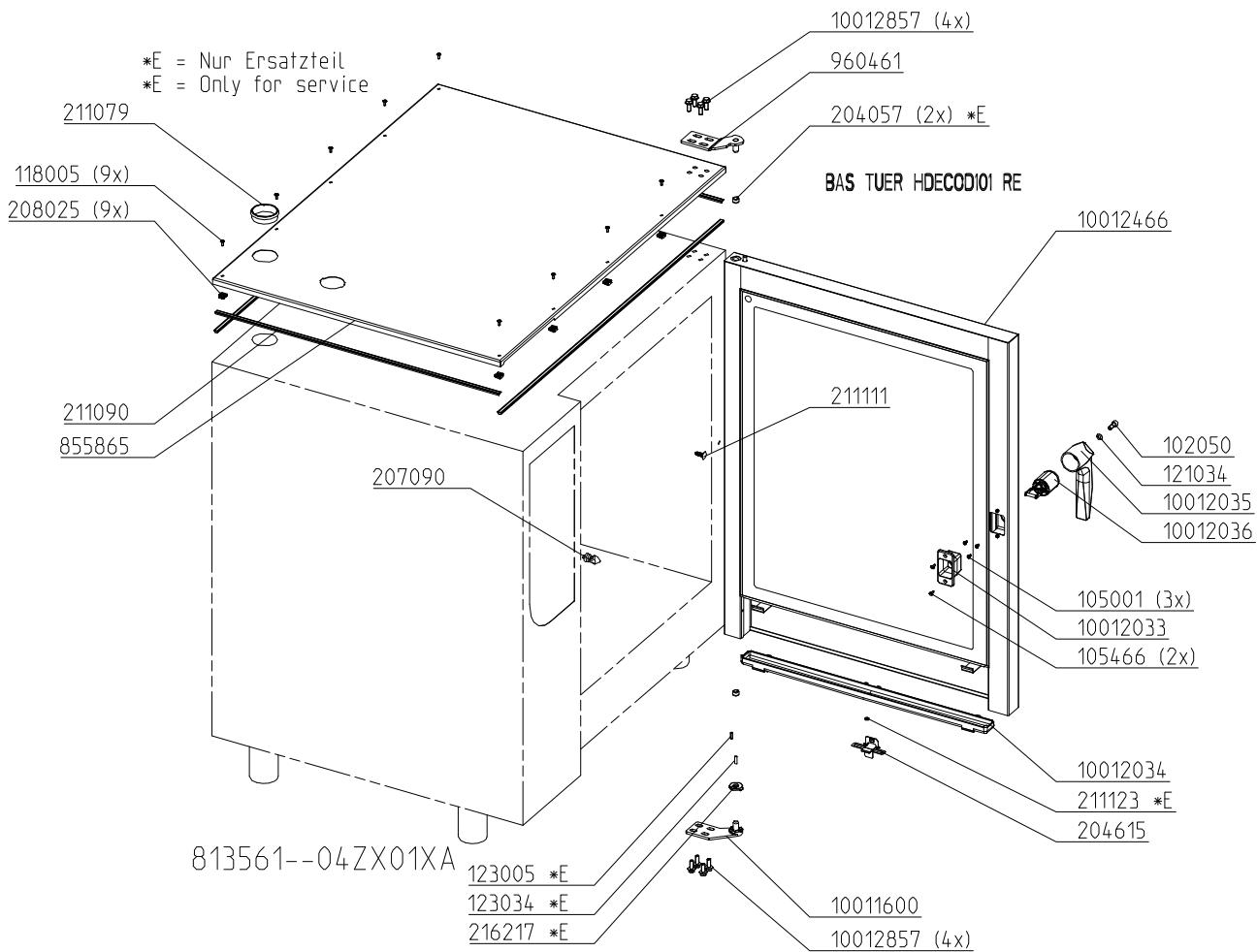
+7(812)987-08-81





vsezip.ru  
Chassis door area HD10.x, right hinged (Electric)

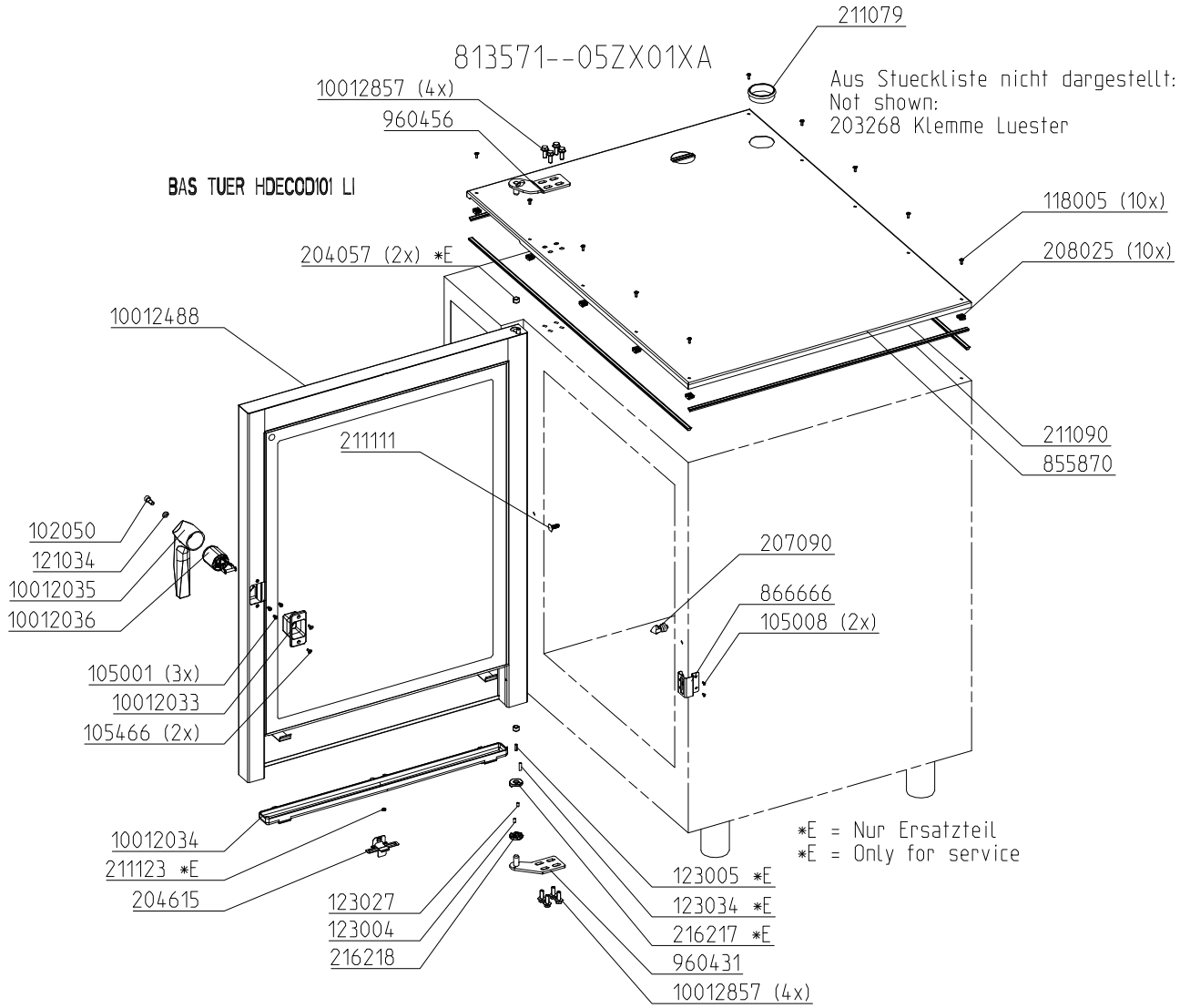
+7(812)987-08-81



vsezip.ru

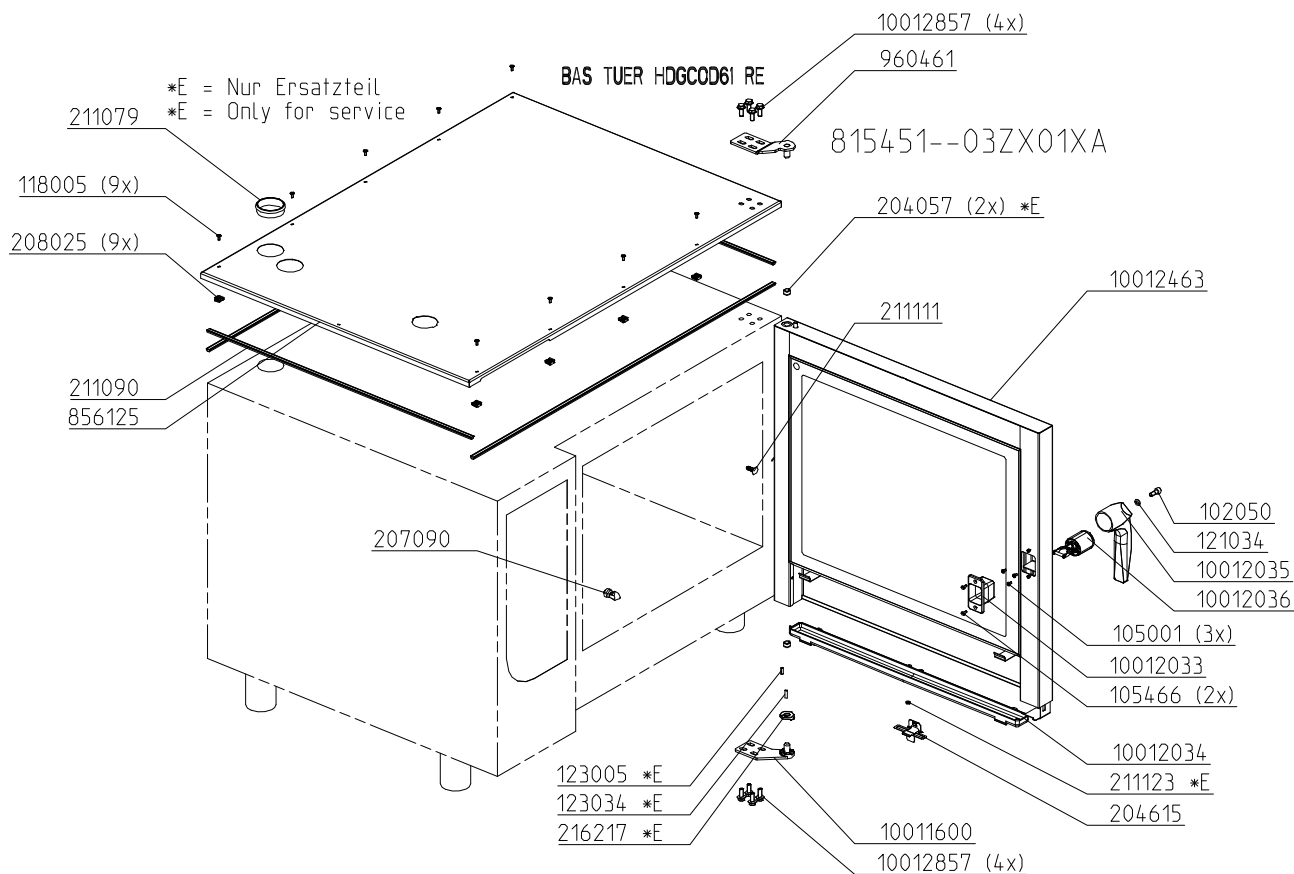
Chassis door area HD10.x, left hinged (Electric)

+7(812)987-08-81



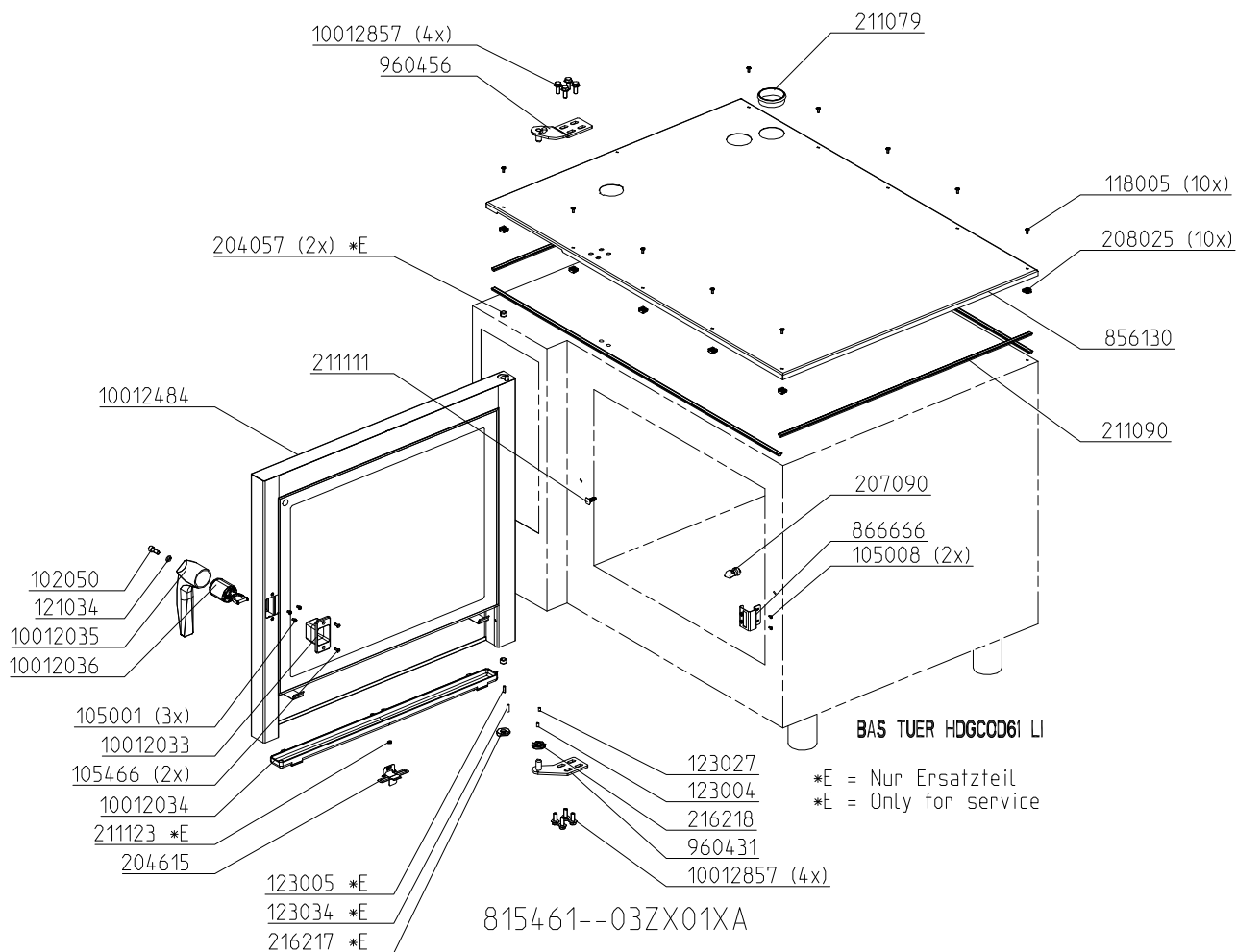
vsezip.ru  
Chassis door area HD6.x, right hinged (Gas)

+7(812)987-08-81



vsezip.ru  
**Chassis door area HD6.x, left hinged (Gas)**

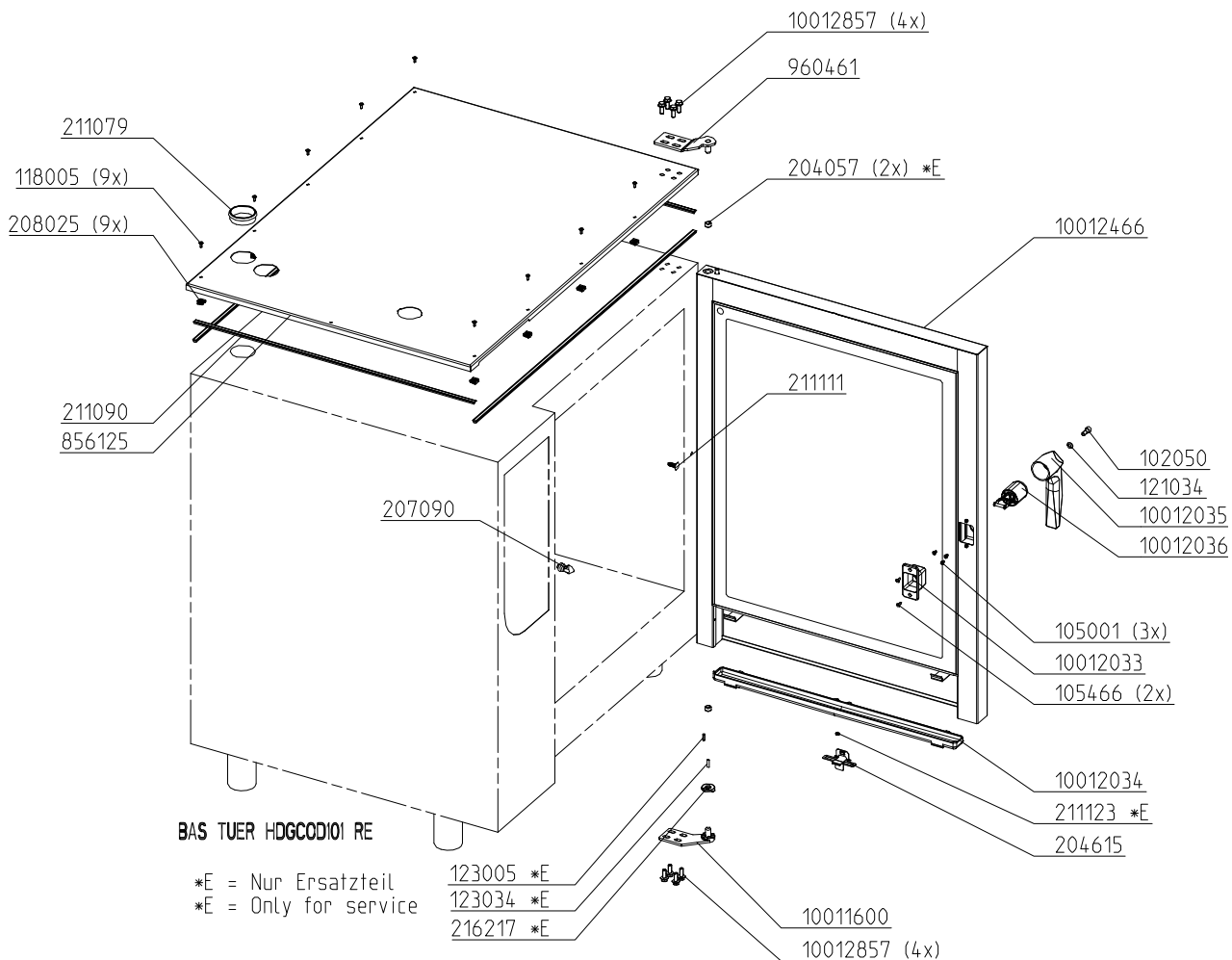
+7(812)987-08-81



vsezip.ru

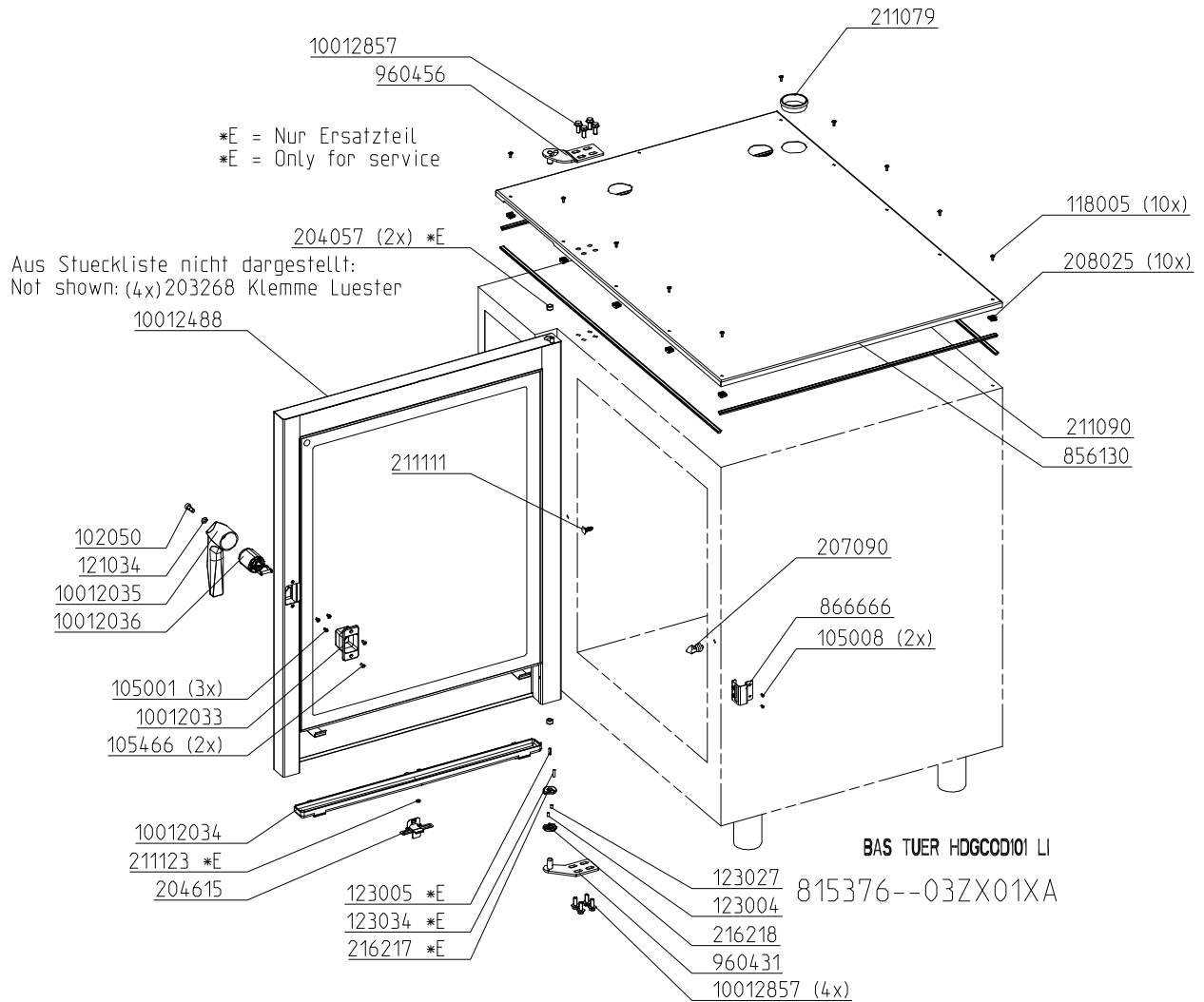
Chassis door area HD10.x, right hinged (Gas)

+7(812)987-08-81



vsezip.ru  
Chassis door area HD10.x, left hinged (Gas

+7(812)987-08-81



---

vsezip.ru

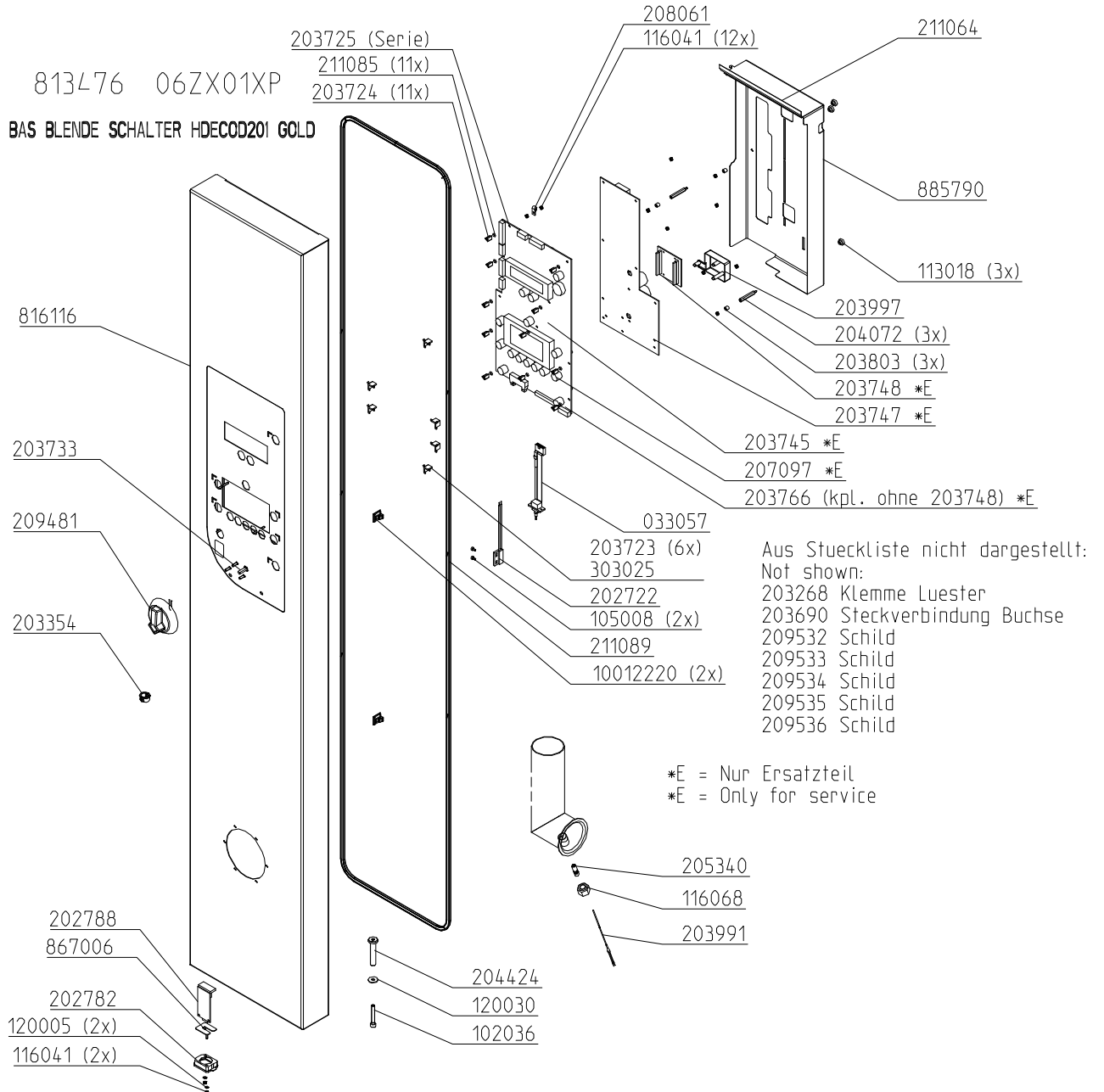
+7(812)987-08-81

## **Exploded drawings 20.x**

**Electric & Gas**

vsezip.ru  
Front panel HD20.x Gold

+7(812)987-08-81

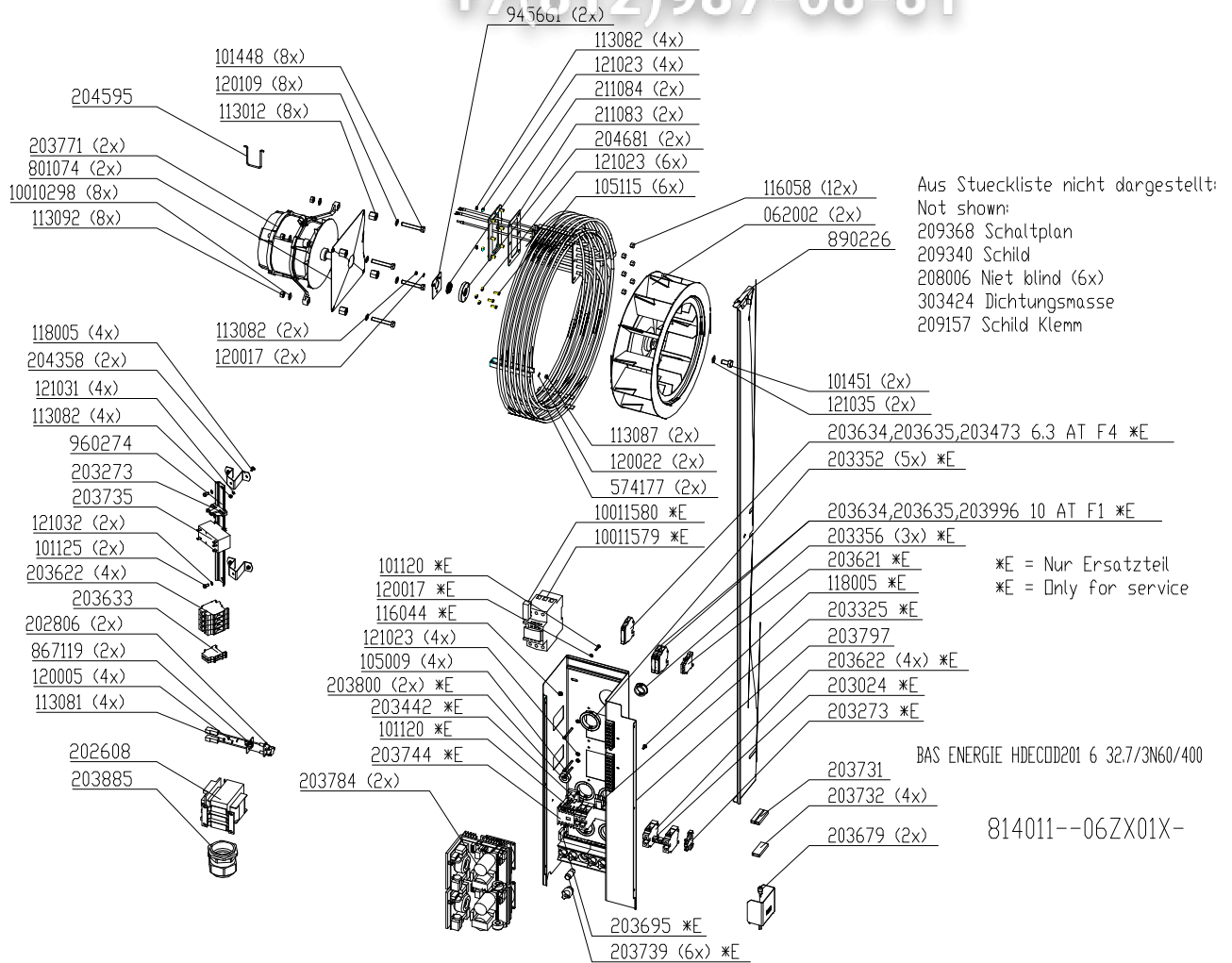




vsezip.ru

**Electric assembly 3NPEAC 400V HD20.1**

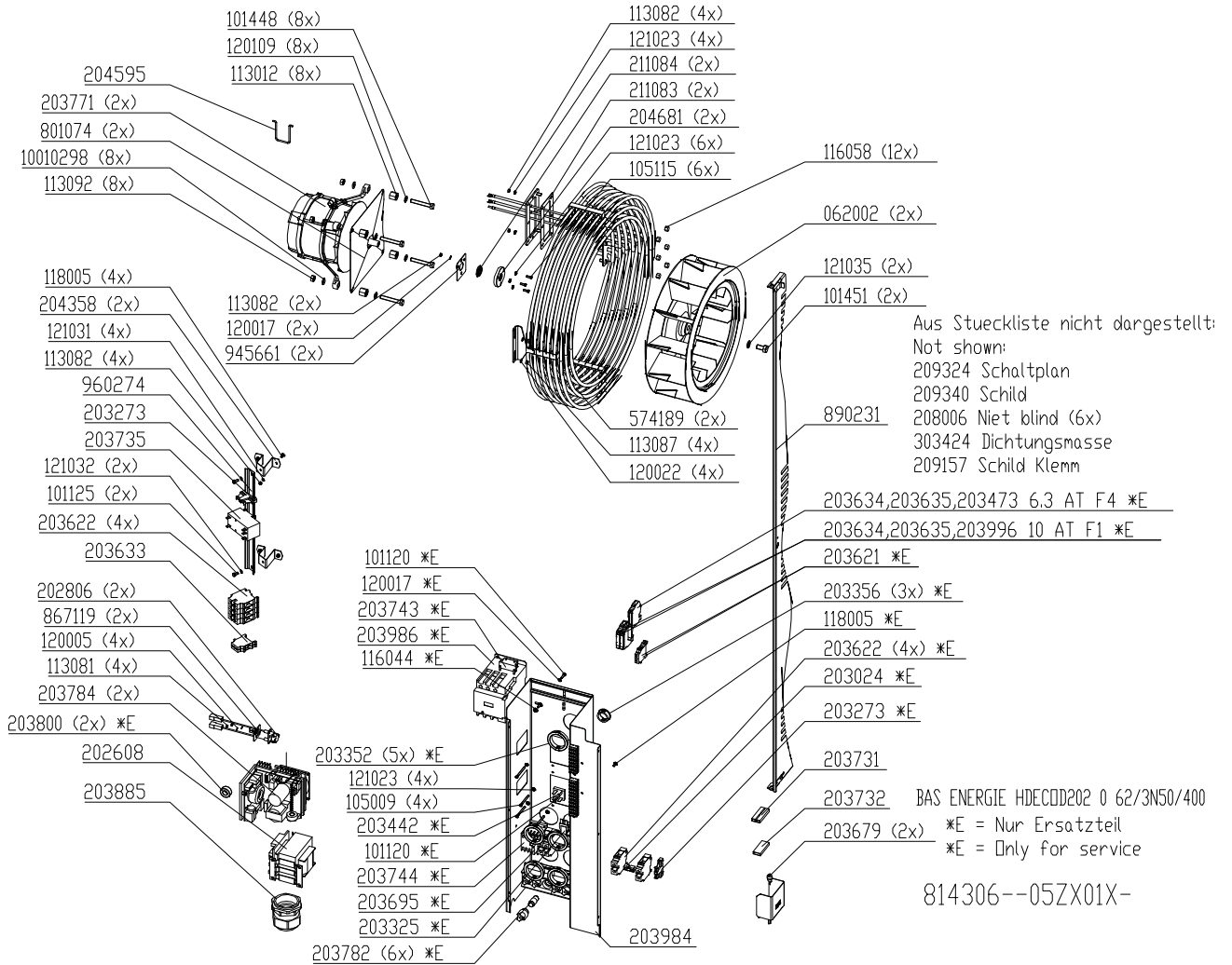
+7(812)987-08-81



vsezip.ru

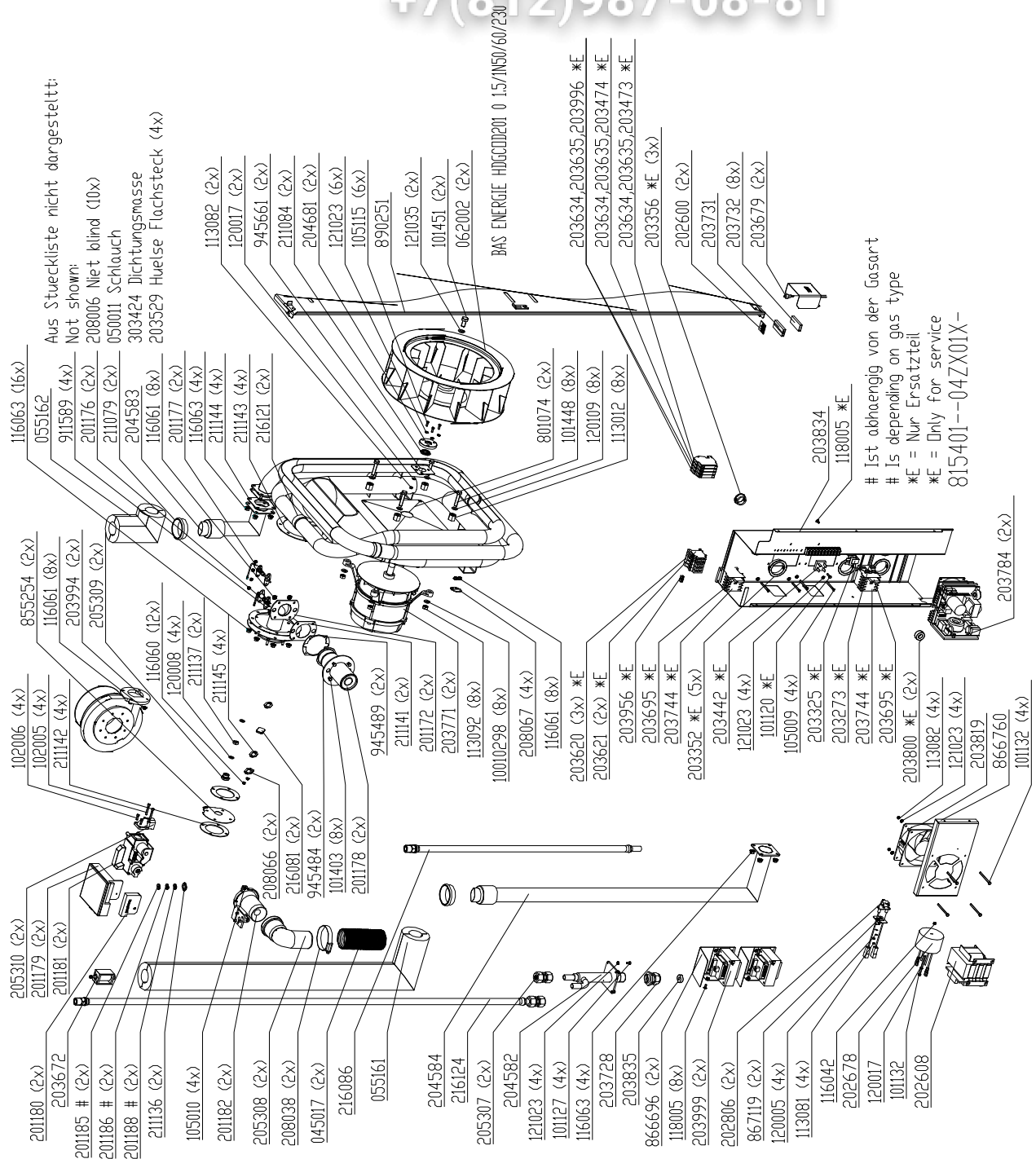
Electric assembly 3NPEAC 400V HD20.2

+7(812)987-08-81



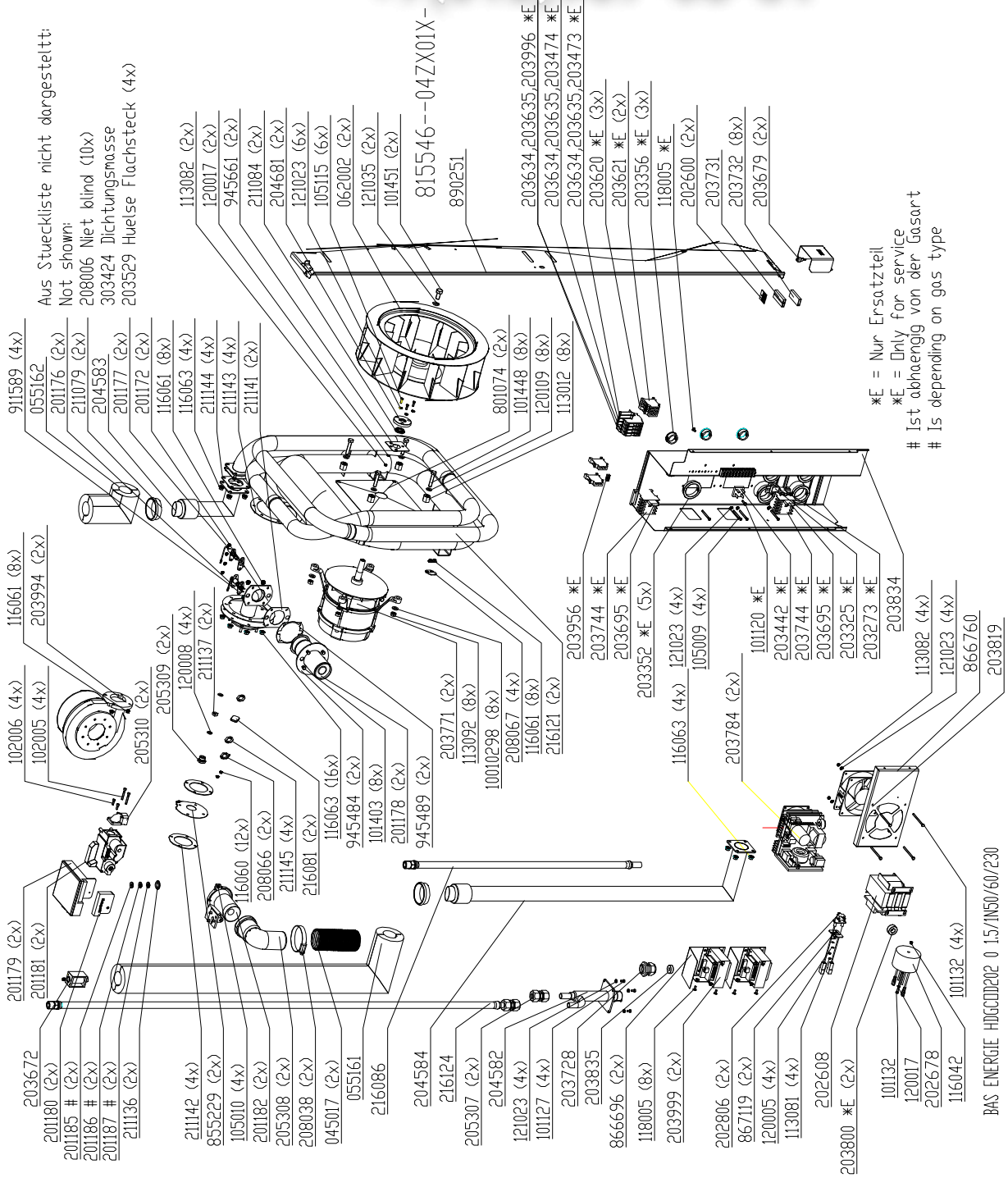
vsezip.ru  
Gas assembly HD20.1

+7(812)987-08-81

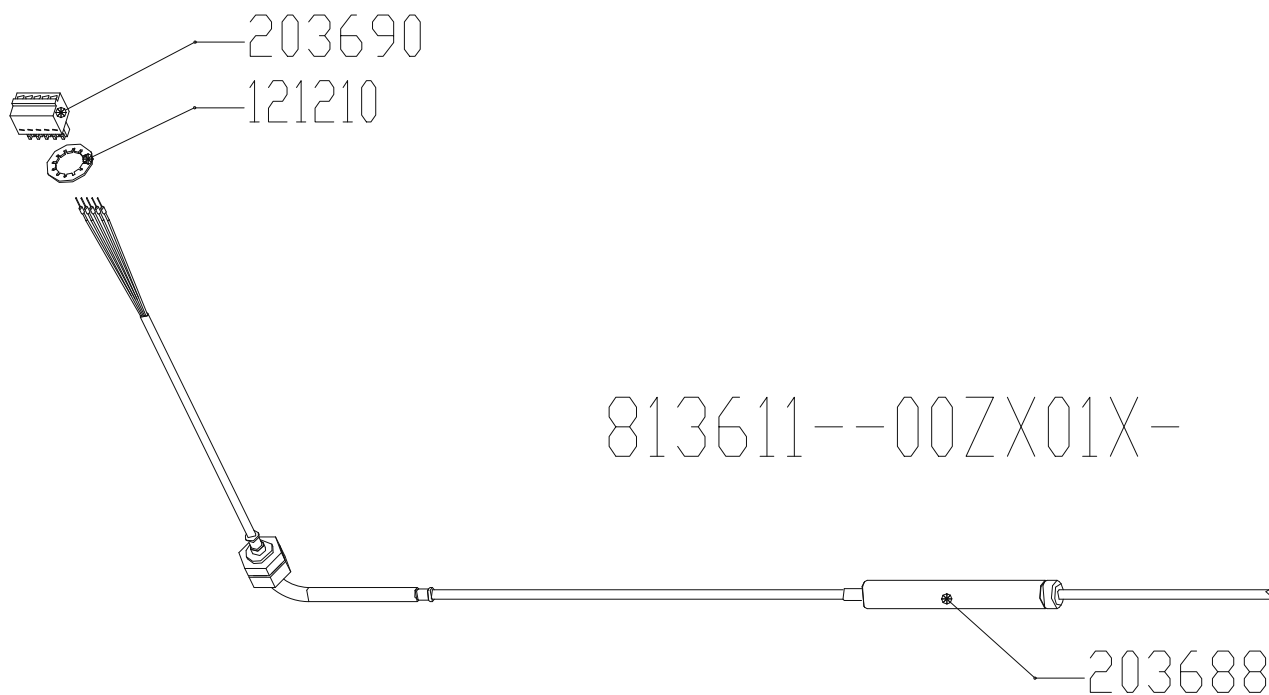


vsezip.ru  
Gas assembly HD20.2

+7(812)987-08-81



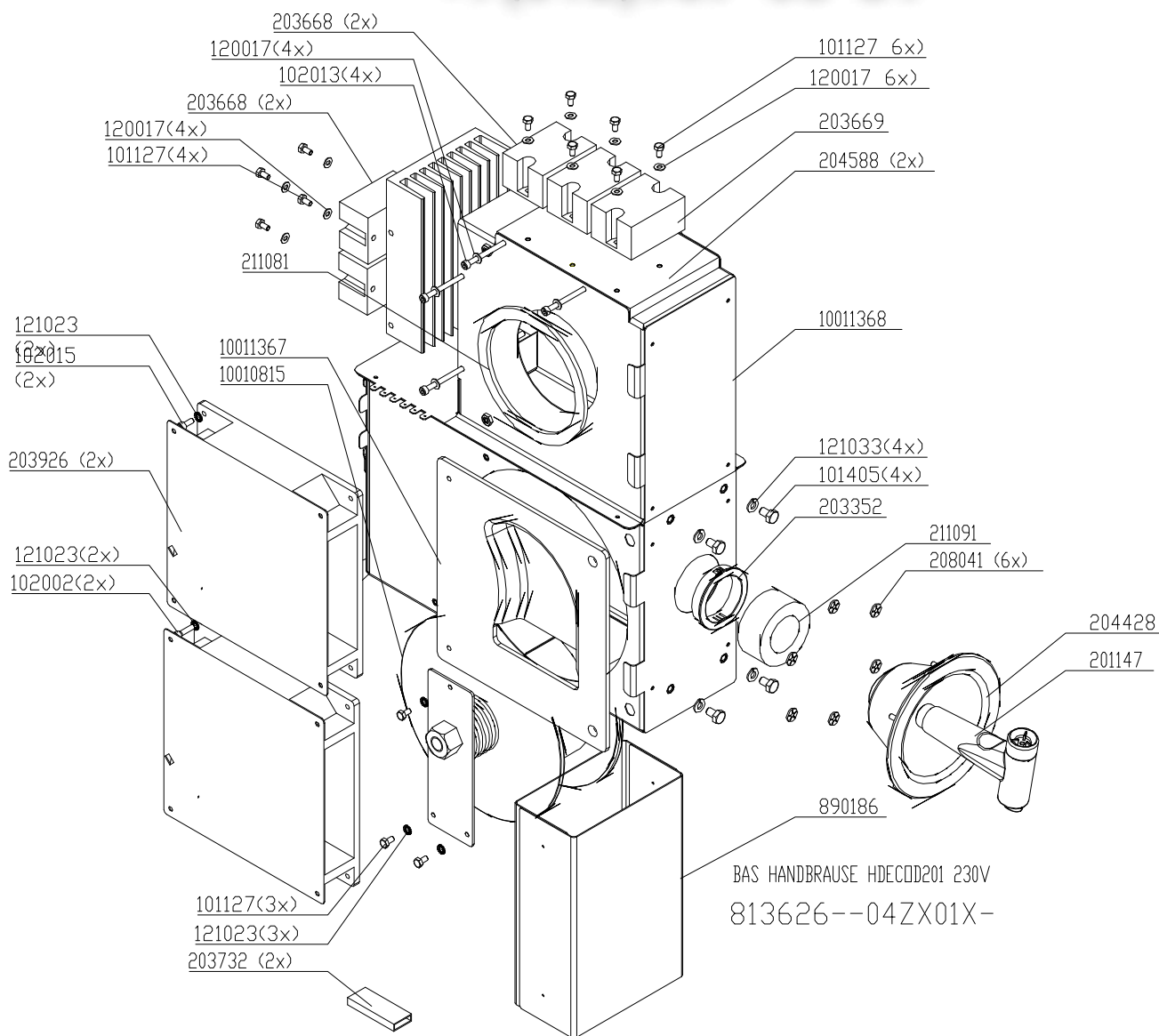
vsezip.ru  
Core temperature probe HD20.x  
+7(812)987-08-81



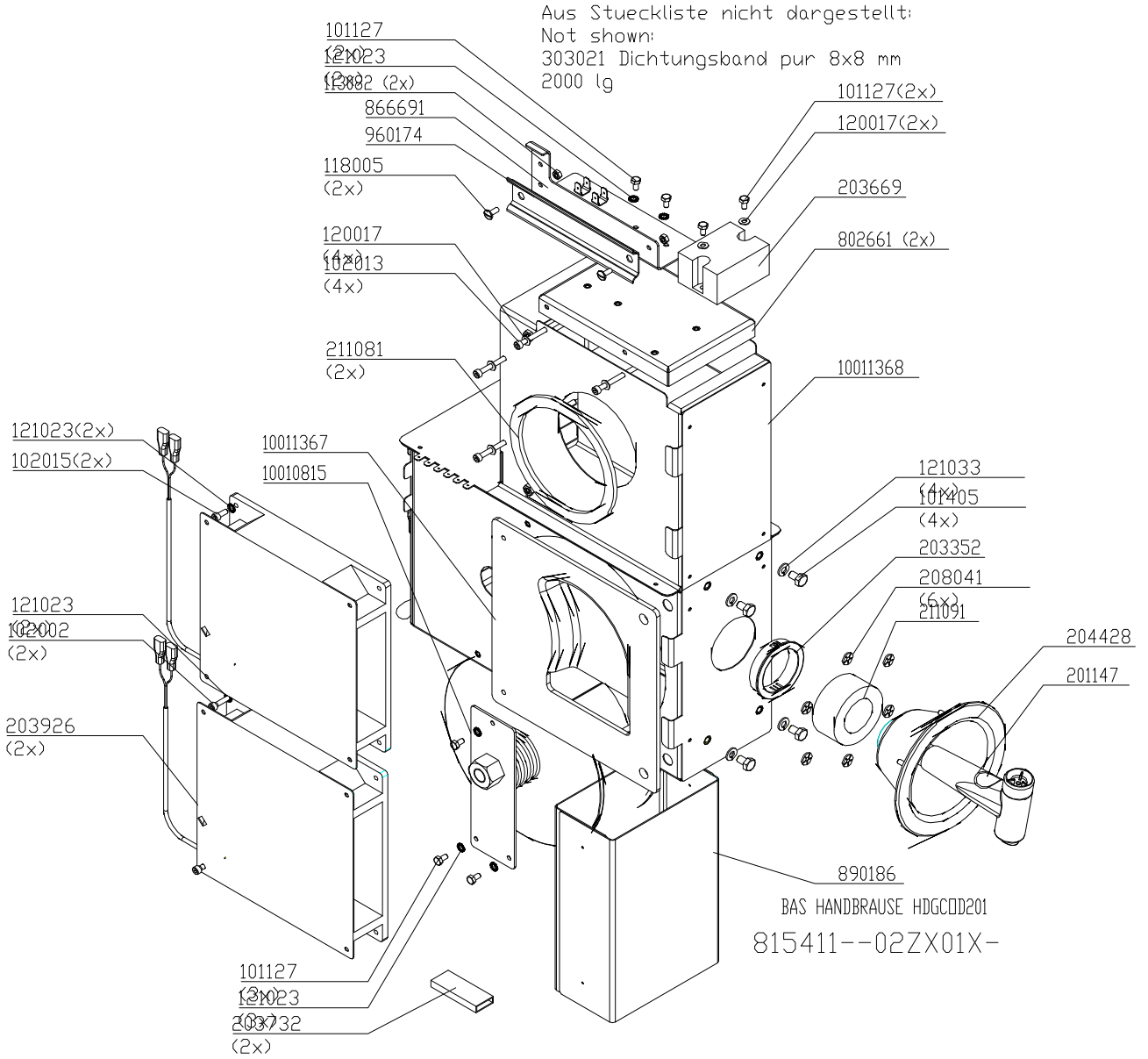
BAS FUEHLER HDECOD201 GOLD

vsezip.ru  
**Tube carrier box & handshower HD20.x (Electric)**

+7(812)987-08-81



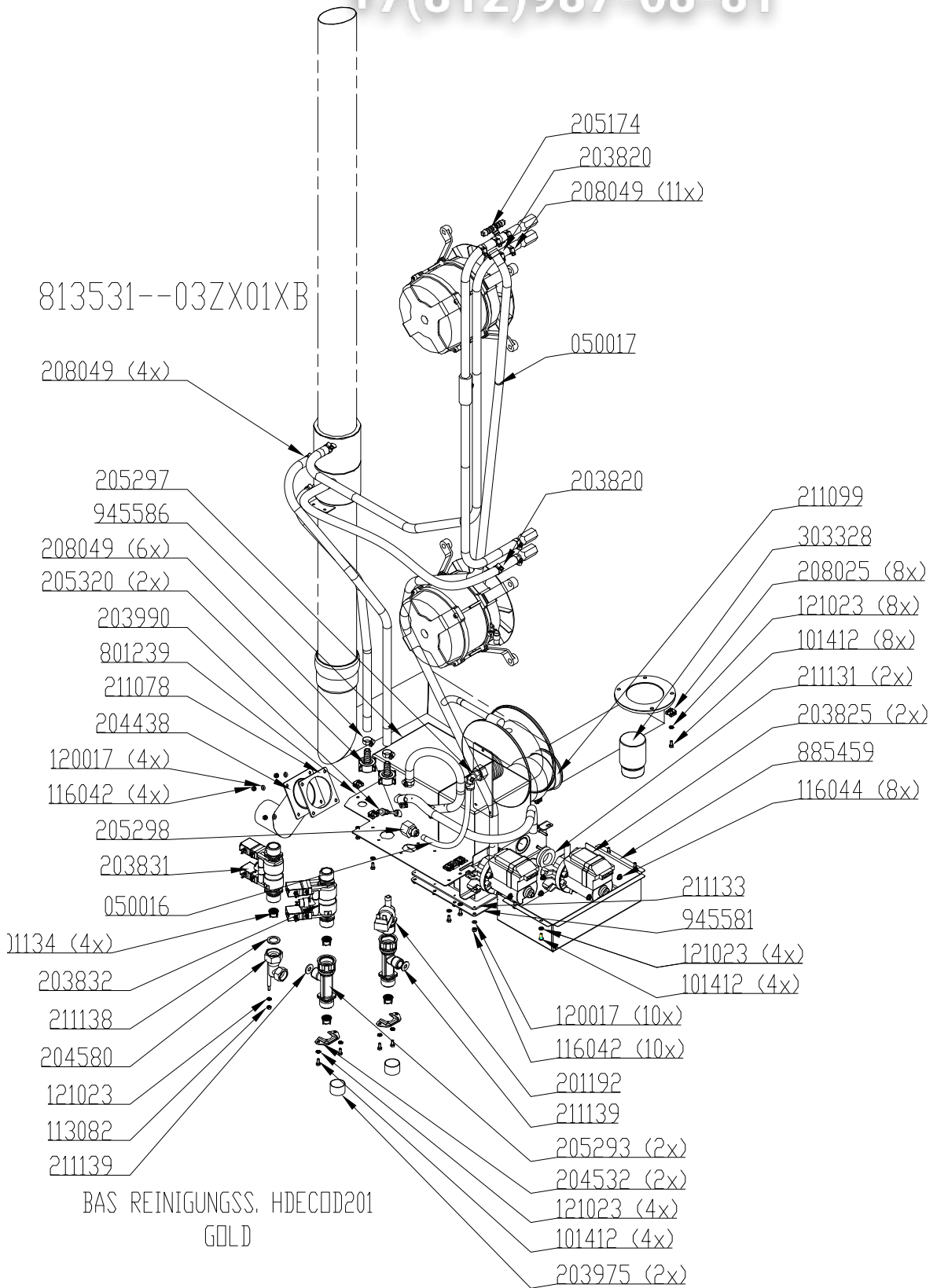
vsezip.ru  
**Tube carrier box & handshower HD20.x Gas**  
 +7(812)987-08-81





vsezip.ru  
Water assembly 50Hz HD20.x

+7(812)987-08-81



Note! Cleaning pumps 60 Hz = #203826

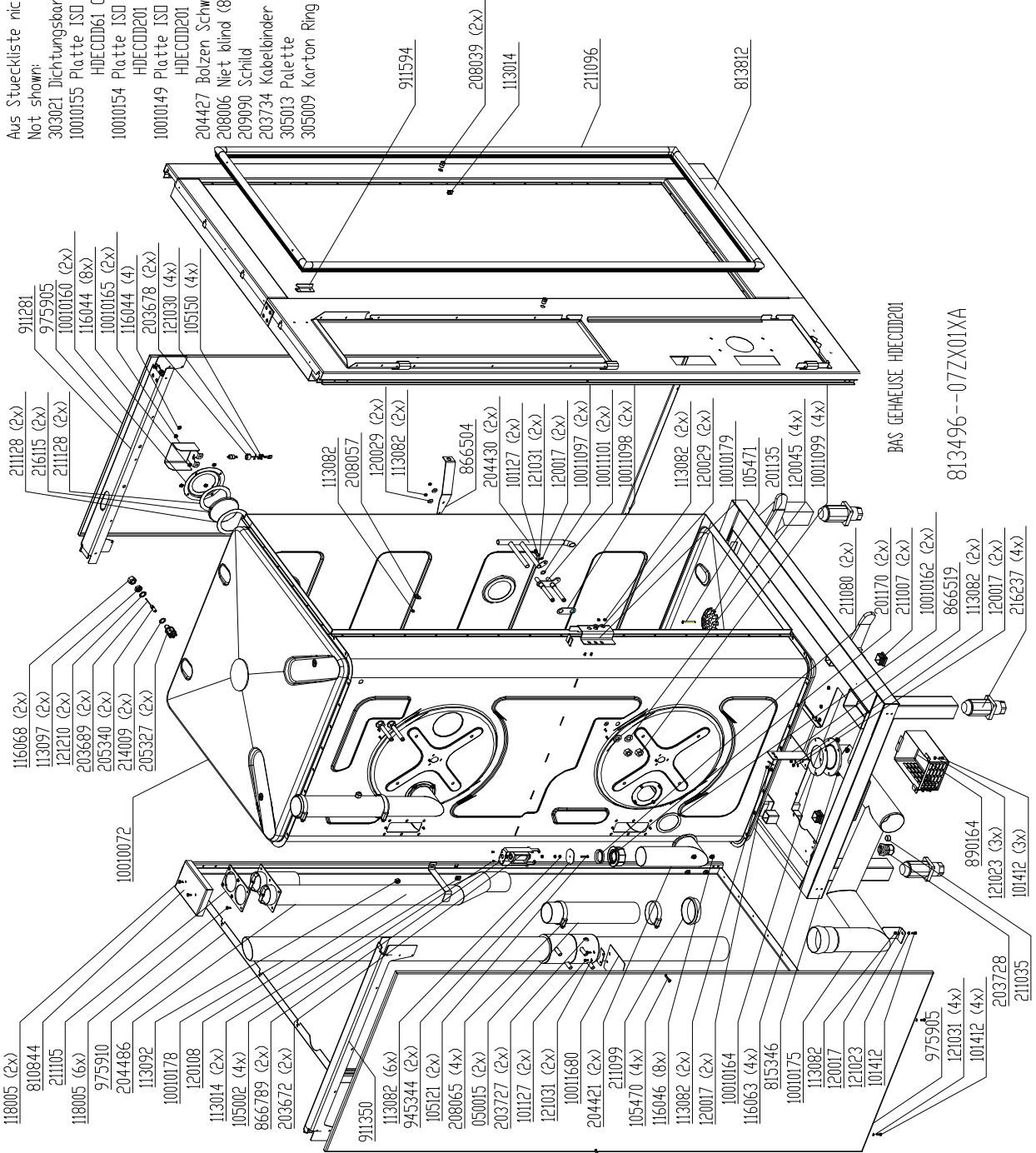


vsezip.ru Chassis HD20.x (Electric)

+7(812)987-08-81

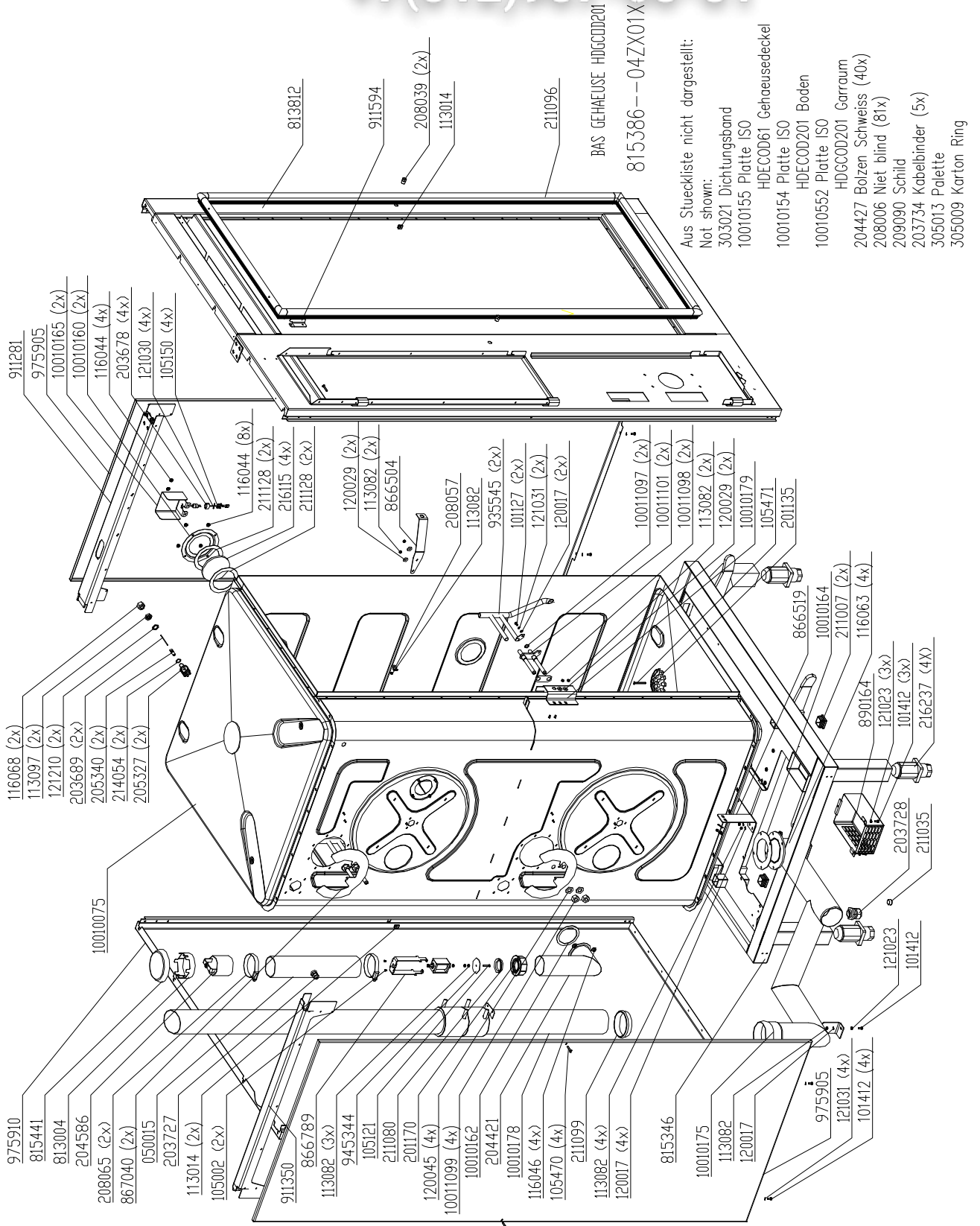
Aus Stueckliste nicht dargestellt:

- Not shown:
- 303021 Dichtungsbund
- 10010155 Platte ISO
- HDECDD61 Gehaeusedeckel
- 10010154 Platte ISO
- HDECDD201 Boden
- 10010149 Platte ISO
- HDECDD201 Garraum
- 204427 Bolzen Schweiiss (40x)
- 208006 Niet blind (81x)
- 209090 Schild
- 203734 Kabelbinder (5x)
- 305013 Palette
- 305009 Karton Ring



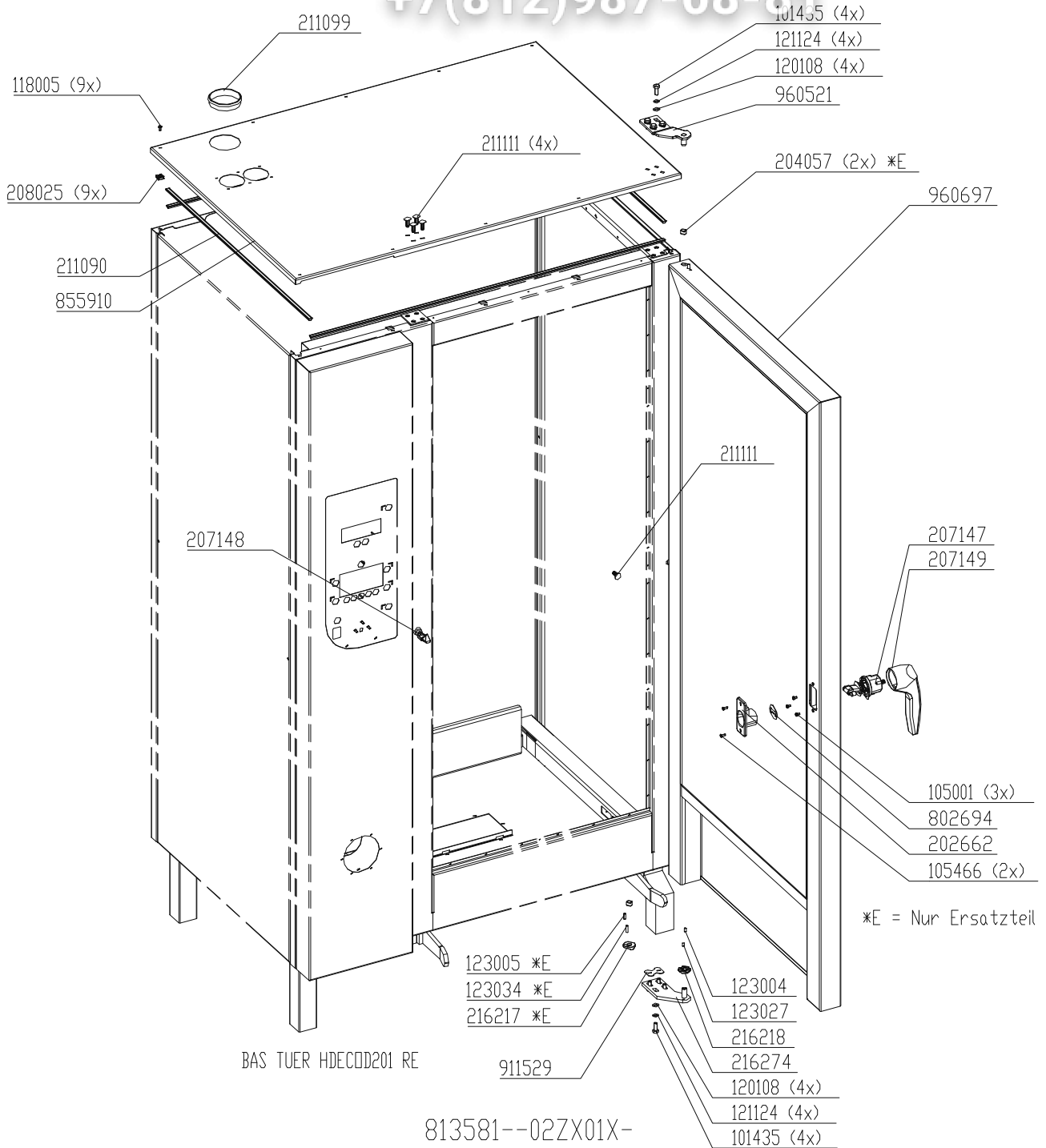
vsezip.ru  
Chassis HD20.x (Gas)

+7(812)987-08-81



vsezip.ru  
**Chassis door area HD20.x, right hinged (Electric)**

+7(812)987-08-81

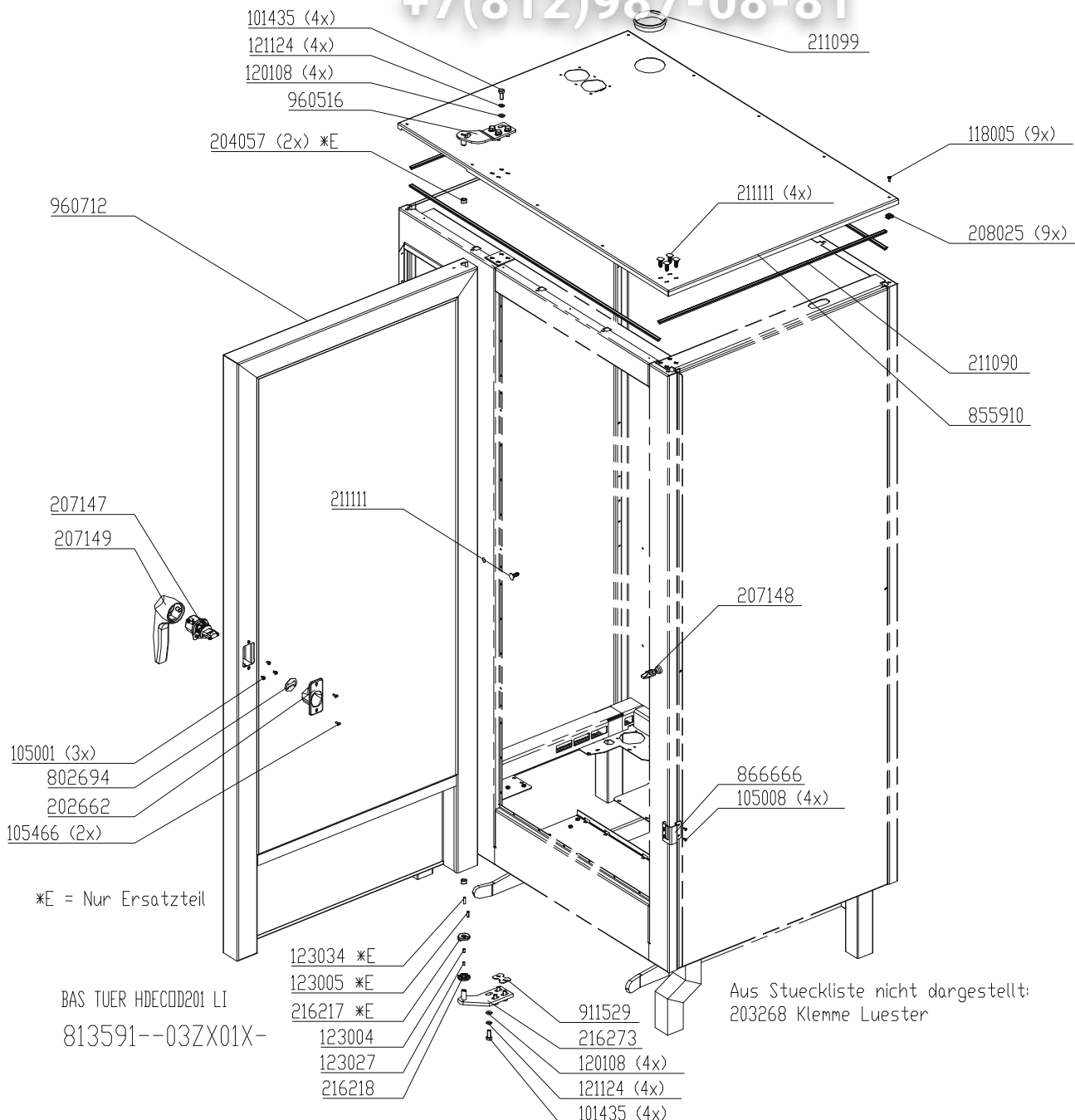


Bis S/N 09021515: #211104 Profildichtung Garraumtür (mit Pactan eingeklebt)  
Ab S/N 09021516: Steckbare Profildichtung #211171

vsezip.ru

Chassis door area HD20.x, left hand hinged (Electric)

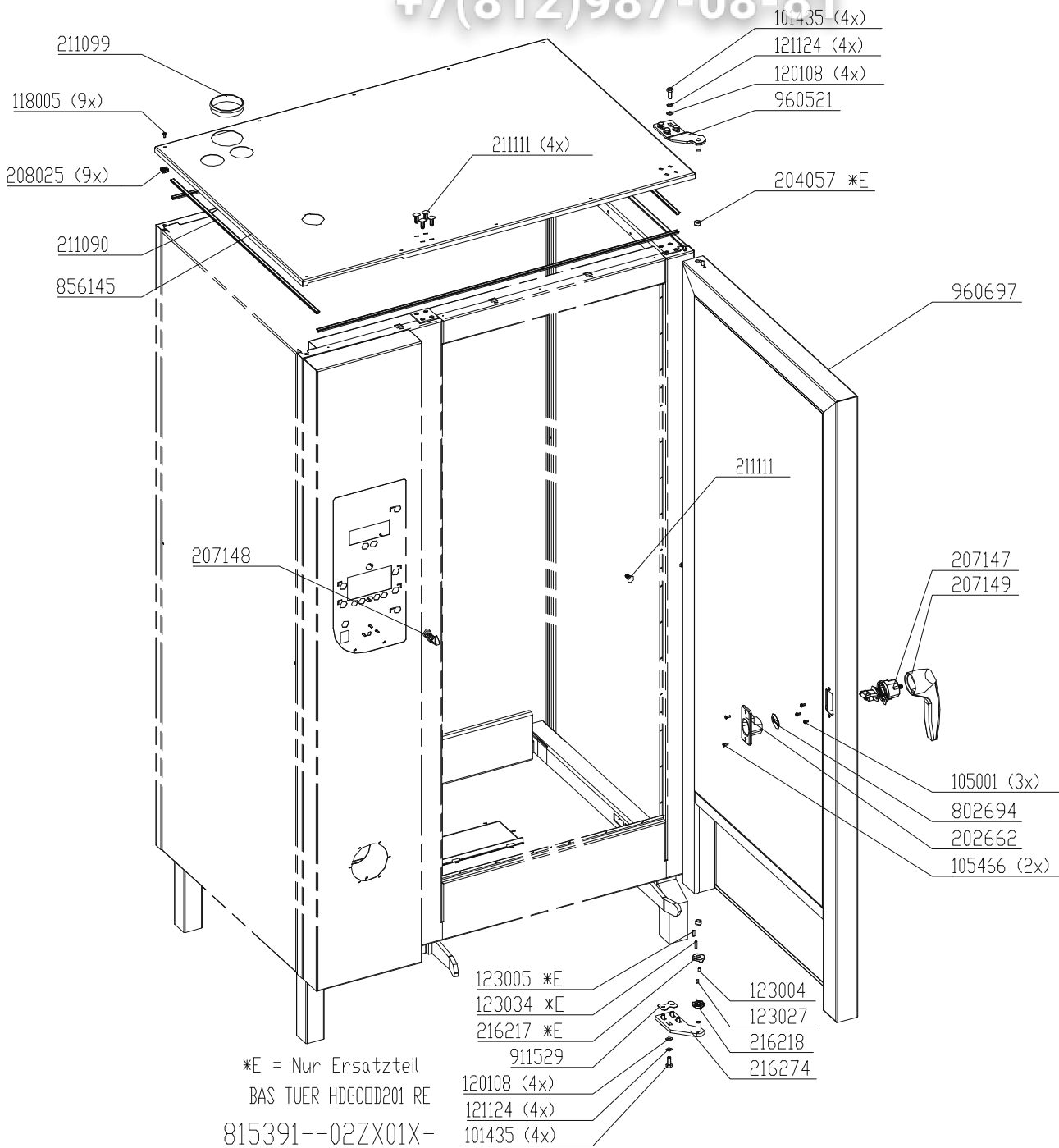
+7(812)987-08-81



Bis S/N 09021515: #211104 Profildichtung Garraumtür (mit Pactan eingeklebt)  
 Ab S/N 09021516: Steckbare Profildichtung #211171

vsezip.ru  
**Chassis door area HD20.x, right hinged (Gas)**

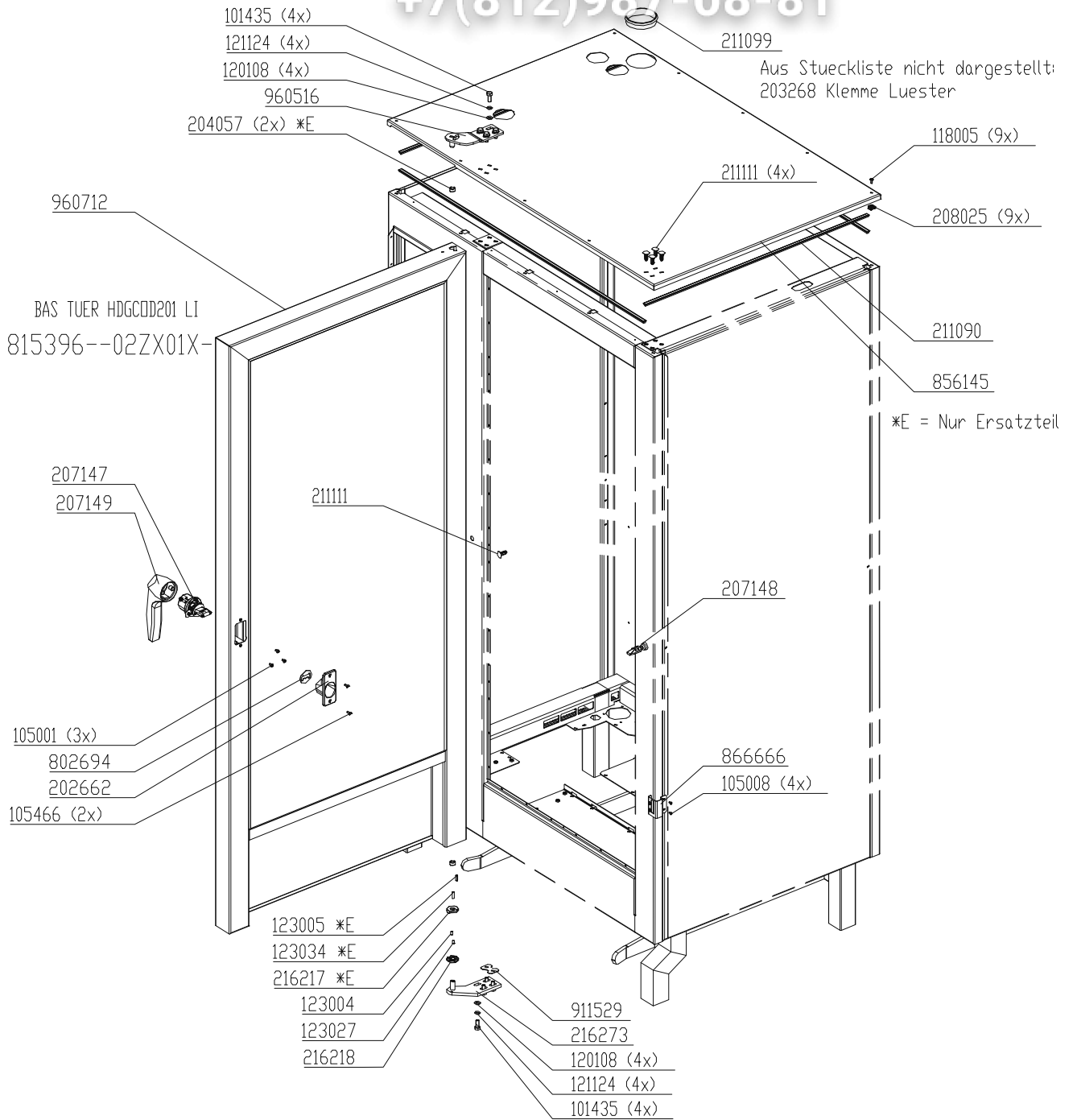
+7(812)987-08-81



Door profile seal #211171

Chassis door area HD20.x, left hand hinged

vsezip.ru  
+7(812)987-08-81



Door profile seal #211171

---

[vsezip.ru](http://vsezip.ru)

+7(812)987-08-81

---

vsezip.ru

+7(812)987-08-81



MKN Maschinenfabrik  
Kurt Neubauer GmbH & Co  
Halberstädter Straße  
D-38300 Wolfenbüttel,  
Germany  
Tel: +49 (0) 53 31/ 89-0  
Fax: +49 (0) 53 31/ 89-280