

Зип Общепит

**Bitte beachten bei einer Bestellung:**

**+7(812)987-08-81**

Aus organisatorischen Gründen muss die Bestellnummer für HOBART-Techniker wie folgt über den MDA eingegeben werden:

Original-Nummer z.B. **1235300**

Bestellung mit MDA **01-235300**

UL - USA

Not UL - Europa

## Revision history table

Rev	Date	Revision description
5.0	05/06/2009	New format with revision sub-level available to improve traceability of modifications. Specified the recommended spare parts with red square around part item number. General revision of codes and descriptions. Introduction of new rack guide support system, new tourniquet with improved internal design, detergent pump non returning valve and the new water level floating device. The new floating device will request to have the boiler with small modifications of pipes positions. In case of floating device replacement need (on old boiler machine) a dedicated retrofit kit (with different design) will be necessary. The new boiler is fully compatible with the old one (that will disappear as a spare) in case of replacement it is necessary to request also the new floating device and its pipes. Inserted a new drain assembly (part 123) and drain grid (part 4) threaded. Created a unique version for exploded views for boiler boilerless, UL and UL and digital-analog ovens to improve modifications traceability and management.
5.1	04/07/2009	Part 126 code update - A new dedicated code was created for the part DRAIN BOX INSPECTION COVER for direct machines (so with pipe for boiler closed because not to be used).
5.2	27/07/2009	Part 112.1 code update - the previous code 1235868 was wrong because used for another part. A new dedicated code has been created.
5.3	27/07/2009	Corrected (just on 20 levels) part 7 code for the oven feet. Inserted reference regarding the cooling fan supply board (part 8.1). Corrected the code for door handle blue and black (part 15) , before they were inverted. Inserted on table 3 (just on 20 levels) the reference for the second motor supply board (part 58).
5.4	2009/10/06	New gasket for the tourniquet external holder has been now inserted (part 107.3). Inserted missing red square around part 94.1. Part 30 and 31 code and description inversion, before the order was not in accordance with the drawing. Part 131 code correction, correct one is 1235868 before wrongly written as 1235886. Part 82 code and description update, now the reported code HSF... refers to the kit that includes a pair of rack support and the related pan/grid stop rod. Part 82 now appears also on table 3 for 20 levels oven. Part 13 code correction, correct one is 1235508 before wrongly written as 1235458. Part 69 code and description was added. Part 53.2 code correction, 1235559 instead of the wrong 1235599 (that is already in use for something else) for version silver-blue and creation of 53.2 code for version silver-black also.
5.5	2010/03/03	Part 131 code update. Floating device code was wrongly reported as 1235868 while it should be 1235886. 1235868 is the floating device kit used to retrofit boiler with old style floating device (now also this code appears on the list). Part 82 - a dedicated code in 123xxxx format is now available. Some typing error regarding codes of parts 132n and 133 are now corrected.
5.6	2010/04/08	Part 14 "Core probe holder" was created. Technical Service Bulletin (TSB) references added into table.
5.7	2010/09/15	According to TSB 2009-021 dated 2009/09/04 the cavity fan motor is now with thermal protection for UL and not UL electric ovens.
9.0	2014/10	TABLE H02 - H04: starting from serial number: Analogic Direct N.1055325, Digital Direct N.1060481, Indirect N.1055692. New hydraulic circuit: replacement parts. See also TSB 2013-007, 011 and 016 for more details. Revision number as the other models (HFEx061x - HFEx101x - HFEx102x)

Tab	Pos	Code	Description	UL*	Not UL*	Boiler	No boiler
H01	1	1235300	BOTTOM GN 1/1	X	X	X	X
H01	2	1235301	GROMMET, CABLE ENTRY	X	X	X	X
H01	4	1235889	DRAIN GRID (with thread)	X	X	X	X
H01	5	1235305	RACK GUIDE SUPPORT (to be used just with rack support with lateral holding system)	X	X	X	X
H01	6	1235306	CONTROL PANEL GASKET	X	X	X	X
H01	7	1235584	200 mm FOOT - See also TSB 2008-003 and 006 for more details	X	X	X	X
H01	8	1235308	COOLING FAN - See also TSB 2009-007 for more details	X	X	X	X
H01	8.1	1235006	COOLING FAN SUPPLY REPARTITION BOARD (See photo catalog available on line for individual codes)	X	X	X	X
H01	9	1235680	LEFT HINGED DOOR DRIP TRAY	X	X	X	X
H01	9	1235679	RIGHT HINGED DOOR DRIP TRAY	X	X	X	X
H01	10	1235455	DOOR HINGE (top position for left hinged door - bottom position for right hinged door)	X	X	X	X
H01	10	1235894	DOOR HINGE WITH HOLES FOR SAFETY DOWELS (top position for left hinged door - bottom position for right hinged door)	X	X	X	X
H01	11	1235682	RIGHT HINGED EXTERNAL DOOR ASSEMBLY - (frame and glass) BLUE		X	X	X
H01	11	1235684	LEFT HINGED EXTERNAL DOOR ASSEMBLY (frame and glass) BLUE		X	X	X
H01	11	1235822	RIGHT HINGED EXTERNAL DOOR ASSEMBLY (frame and glass) BLACK	X	X	X	X
H01	11	1235784	LEFT HINGED EXTERNAL DOOR ASSEMBLY (frame and glass) BLACK	X	X	X	X
H01	12	1235546	DOOR GASKET	X	X	X	X
H01	13	1235508	DOOR HANDLE MECHANISM	X	X	X	X
H01	14	1236040	CORE PROBE SUPPORT HOLDER	X	X	X	X



3ип Общеи

vsezip.ru

+7(812)957-0000

H01	15	1235593	DOOR HANDLE BLUE		X	X	X
H01	15	1235687	DOOR HANDLE BLACK	X	X	X	X
H01	16	1235763	"L" SHAPED DOOR LIGHT WIRE COVER FOR LEFT HINGED DOOR	X	X	X	X
H01	16	1235833	"L" SHAPED DOOR LIGHT WIRE COVER FOR RIGHT HINGED DOOR	X	X	X	X
H01	17	1235764	DOOR LIGHT WIRE COVER BLOCK (cavity side)	X	X	X	X
H01	18	1235580	INTERNAL GLASS ASSEMBLY FOR LEFT HINGED DOOR	X	X	X	X
H01	18	1235581	INTERNAL GLASS ASSEMBLY FOR RIGHT HINGED DOOR	X	X	X	X
H01	19	1235323	INTERNAL GLASS HINGE	X	X	X	X
H01	20	1235765	DOOR LIGHT WIRE COVER BLOCK (door side)	X	X	X	X
H01	22	1235781	INTERNAL GLASS SPRING CLIP	X	X	X	X
H01	23	1235327	GLASS RUBBER BUMPER	X	X	X	X
H01	24	1235461	DOOR HINGE (bottom position for left hinged door - top position for right hinged door)	X	X	X	X
H01	24	1235895	DOOR HINGE WITH HOLES FOR SAFETY DOWELS (bottom position for left hinged door - top position for right hinged door)	X	X	X	X
H01	25	1235462	SPACER FOR CLOSURE MECHANISM	X	X	X	X
H01	26	1235468	RUBBER STOP FOR METAL SPACER	X	X	X	X
H01	30	1235467	DOOR CATCH (top position for left hinged door - bottom position for right hinged door)	X	X	X	X
H01	31	1235466	DOOR CATCH (bottom position for left hinged door - top position for right hinged door)	X	X	X	X
H01	34	1235469	METAL SPACER	X	X	X	X
H01	35	1235776	CLOSURE MECHANISM COVER FOR LEFT HINGED DOOR	X	X	X	X
H01	35	1235773	CLOSURE MECHANISM COVER FOR RIGHT HINGED DOOR	X	X	X	X
H01	36	1235893	LAMP HOLDER - UL (it can be used both for UL and not UL)	X	X	X	X
H01	37	1235342	LAMP	X	X	X	X
H01	38	1235596	TOP GN 1/1	X	X	X	X
H01	39	1235344	INTERNAL GLASS HINGE PIN	X	X	X	X
H01	40	1235770	LAMP HOLDER SUPPORT FOR LEFT HINGED DOOR	X	X	X	X
H01	40	1235767	LAMP HOLDER SUPPORT FOR RIGHT HINGED DOOR	X	X	X	X
H01	42	1235703	CAVITY DRIP TRAY - See also TSB 2009-004 for more details	X	X	X	X
H01	43	1235628	RIGHT SIDE PANEL	X	X	X	X
H01	44	1235630	LEFT SIDE PANEL	X	X	X	X
H01	45	1235632	BACK PANEL BOTTOM		X	X	X
H01	45	1235880	BACK PANEL BOTTOM (with additional fan space in the center)	X		X	X
H01	71	1235123	MAGNET - See also TSB 2010-001 for more details	X	X	X	X
H01	72	1235463	DOOR LATCH	X	X	X	X
H01	73	1235465	DOOR LATCH ROD (top position for left hinged door - bottom position for right hinged door)	X	X	X	X
H01	74	1235464	DOOR LATCH ROD (bottom position for left hinged door - top position for right hinged door)	X	X	X	X
H01	75	1235708	LEFT DOOR ASSEMBLY BLUE		X	X	X
H01	75	1235705	RIGHT DOOR ASSEMBLY BLUE		X	X	X
H01	75	1235824	LEFT DOOR ASSEMBLY BLACK	X	X	X	X
H01	75	1235827	RIGHT DOOR ASSEMBLY BLACK	X	X	X	X
H01	76	1235553	DOOR LATCH SPRING BRACKET	X	X	X	X

H01	77	1235554	DOOR LATCH SPRING	X	X	X	X
H01	78	1235555	DOOR LATCH SPRING WASHER	X	X	X	X
H01	84	1235816	CLOSURE MECHANISM THICKNESS PLATE	X	X	X	X
H01	148	1235602	OVEN TOP GUTTER	X	X	X	X
H01	149	1235603	RIGHT TOP SUPPORT	X	X	X	X
H01	150	1235604	LEFT TOP SUPPORT	X	X	X	X
H01	151	1235605	VENT PIPES METAL RING	X	X	X	X
H01	152	1235606	VENT PIPES METAL RING GASKET	X	X	X	X
H01	153	1235863	BACK PANEL TOP		X	X	X
H01	153	1235892	BACK PANEL TOP (with additional fan space in the center)	X		X	X
H01	159	1235713	MAGNET HOLDER - See also TSB 2010-001 for more details	X	X	X	X
H01	160	1235714	BRACKET FOR CLOSURE MECHANISM COVER	X	X	X	X
H01	161	1235715	DOOR ROTATION STOP FOR RIGHT HINGED DOOR	X	X	X	X
H01	161	1235716	DOOR ROTATION STOP FOR LEFT HINGED DOOR	X	X	X	X
H01	162	1235717	DOOR HINGE INTERNAL SUPPORT	X	X	X	X
H02	47	1235634	CONTROL PANEL (metal frame) DIGITAL	X	X	X	X
H02	47	1235633	CONTROL PANEL (metal frame) ANALOGIC		X	X	X
H02	48	1235625	CONTROL PANEL OVERLAY ANALOG BLUE		X	X	X
H02	48	1235601	CONTROL PANEL OVERLAY DIGITAL BLUE		X	X	X
H02	48	1235704	CONTROL PANEL OVERLAY ANALOG BLACK	X	X	X	X
H02	48	1235718	CONTROL PANEL OVERLAY DIGITAL BLACK	X	X	X	X
H02	49	1235582	SINGLE POINT CORE PROBE 4 mm 6 PINS	X	X	X	X
H02	49.1	1235720	MULTIPOINT CORE PROBE 4 mm 6 PINS (OPTIONAL)	X	X	X	X
H02	49.2	1235722	SINGLE POINT CORE PROBE 2 mm 6 PINS (OPTIONAL)	X	X	X	X
H02	50	1235616	CORE PROBE CONNECTOR 6 PINS	X	X	X	X
H02	50	1235872	INSTALLATION DIAGRAM FOR CORE PROBE 6 PINS	X	X	X	X
H02	51	1235782	TRANSFORMER 370+165 VA - UL- NO NEUTRAL	X		X	X
H02	51	1235566	TRANSFORMER 370+165 VA - NO NEUTRAL		X	X	X
H02	51	1235363	TRASF.ROT.165 VA - WITH NEUTRAL		X	X	X
H02	52	1235120	THERMOCOUPLE FOR STATIC RELAY	X	X	X	X
H02	53	1235005	DISPLAY BOARD DIGITAL	X	X	X	X
H02	53	1235006	DISPLAY BOARD ANALOGIC		X	X	X
H02	53.1	1235018	ANALOGIC COMMUTATOR		X	X	X
H02	53.2	1235559	ANALOGIC COMMUTATOR KNOB (blue arrow)		X	X	X
H02	53.2	1235947	ANALOGIC COMMUTATOR KNOB (silver-black)	X		X	X
H02	54	\	CPU BOARD (See photo catalog available on line for individual codes )	X	X	X	X
H02	55	\	POWER SUPPLY BOARD (See photo catalog available on line for individual codes )	X	X	X	X
H02	56	\	RELAY BOARD (See photo catalog available on line for individual codes )	X	X	X	X
H02	58	1235016	FUSE10A	X	X	X	X
H02	59	1235797	MAGNETO THERMIC -UL- WITHOUT NEUTRAL	X		X	X

H02	59	1235133	MAGNETO THERMIC NOT UL WITHOUT NEUTRAL		X	X	X
H02	59	1235156	MAGNETO THERMIC - WITH NEUTRAL - See also TSB 2009-009 and 022 for more details		X	X	X
H02	63	1235124	TERMINAL BLOCK BLUE	X	X	X	X
H02	64	1235125	TERMINAL BLOCK GREY	X	X	X	X
H02	65	1235004	MOTOR STATIC RELAY 25A (synchron)	X	X	X	X
H02	66	1235003	STATIC RELAY 125A - For spare parts it is recommended to only carry 125 A which will cover all machine models need	X	X	X	X
H02	68	1235365	CAVITY THERMOCOUPLE	X	X	X	X
H02	69	1235120	BOILER PROBE	X	X	X	
H02	70	1235830	DOOR SWITCH SENSOR - UL (1.7 m wire) - 20 levels oven with right door may need it with 2.5 meter long wire	X	X	X	X
H02	73	1235367	DISPLAY BOARD COVER	X	X	X	X
H02	74	1235562	ELECTRONIC BOX FRAME SUPPORT	X	X	X	X
H02	78	1235372	CAVITY HIGH LIMIT THERMOSTAT	X	X	X	X
H02	79	1235150	ALUMINIUM PLATE	X	X	X	X
H02	112	178099	PIPE - (0,6 m total wire)		X	X	X
H02	112.1	1235899	CONNECTOR DETERGENT PUMP TUBE - DETERGENT TUBE	X	X	X	X
H02	112.2	176479	INTAKE HOSE - (2.5 m total wire)		X	X	X
H02	112.3	1235866	WEIGHT & FILTER FOR DETERGENT TUBE	X	X	X	X
H02	113	\	WIRING (See wiring diagrams available on line for individual codes )	X	X	X	X
H02	114	\	HYDRAULIC PARTS (See photo catalog available on line for individual codes )	X	X	X	X
H02	115	\	FLAT CABLE (See photo catalog available on line for individual codes )	X	X	X	X
H02	116	\	DETERGENT PUMP -UL- 110/120V - (See photo catalog available on line for individual codes )	X		X	X
H02	116	\	UL.CABLE FOR -UL DETERGENT PUMP (See photo catalog available on line for individual codes )	X		X	X
H02	116	\	DETERGENT PUMP -230V - (See photo catalog available on line for individual codes )		X	X	X
H02	116.1	178098	ONE WAY VALVE		X	X	X
H02	116.2	1235878	DETERGENT PUMP NON RETURNING VALVE CONNECTOR 8x1/4" See also TSB 2009-016 and 2010-002 for more details	X	X	X	X
H02	117	\	WATER SOLENOID VALVE (See photo catalog available on line for individual codes )	X	X	X	X
H02	118	\	WATER CONNECTION INLET (See photo catalog available on line for individual codes )	X	X	X	X
H02	119		SOLENOID VALVE SEE TABLE H04		X	X	X
H02	120	182146	FITTING		X	X	X
H02	121	RTFOC00626	FITTING		X	X	X
H02	122	173764	PIPE WATERINLET - (7 m total wire)		X	X	X
H02	123	172832	PRESSURE REDUCER		X	X	X
H02	136	1235557	MANOMETER	X	X		X
H02	138	1235558	PRESSURE REGULATOR	X	X		X
H02	139	1235556	PRESSURE REGOLATOR SUPPORT	X	X		X
H02	140	1235610	SPACER FOR DISPLAY BOARD COVER	X	X	X	X
H02	143	\	BLANK RELAY BOARD FOR OVENS WITHOUT WASHING (See photo catalog available on line for individual codes )	X	X	X	X
H02	154	1235608	ELECTRONIC PROTECTING SCREEN	X	X	X	X

H03	57	\	MOTOR REVERSE BOARD (See photo catalog available on line for individual codes )	X	X	X	X
H03	58	\	SECOND MOTOR SUPPLY BOARD (See photo catalog available on line for individual codes )	X	X	X	X
H03	80	1235374	CAVITY FAN	X	X	X	X
H03	82	1236033	RACK GUIDE KIT (a couple of rack guides with pan/grid stop rods, to be used just with lateral holding system). 20 levels needs 2 couples <i>See also TSB 2008-005 and 2009-015 for more details</i>	X	X	X	X
H03	83	1235522	FAN GUARD	X	X	X	X
H03	85	1235815	FAN GUARD PIN	X	X	X	X
H03	87	1235523	NEBULIZER	X	X	X	X
H03	88	1235524	NEBULIZER WATER PIPE	X	X	X	X
H03	89 + 90	1235875	MOTOR FAN OUTER SCREW + WASHER	X	X	X	X
H03	89.1	1235876	CAVITY FAN INNER MOTOR SCREW	X	X	X	X
H03	91	1235526	HEATER SUPPORT PLATE	X	X	X	X
H03	92	1235799	HEATING ELEMENT 8 kW D.400 208V	X		X	X
H03	92.1	1235812	HEATING ELEMENT 8 kW D.400 277V	X		X	X
H03	92.2	1235806	HEATING ELEMENT 8 kW D.400 230V	X		X	X
H03	92.3	1235533	HEATING ELEMENT 9kW D.400 230V		X	X	X
H03	93	1235801	HEATING ELEMENT 8 kW D.500 208V	X		X	X
H03	93.1	1235814	HEATING ELEMENT 8 kW D.500 277V	X		X	X
H03	93.2	1235809	HEATING ELEMENT 8 kW D.500 230V	X		X	X
H03	93.3	1235539	HEATING ELEMENT 9 kW D.500 230V		X	X	X
H03	94	1235834	FAN MOTOR WITH THERMAL PROTECTION	X	X	X	X
H03	95	1235394	MOTOR COUPLING FLANGE	X	X	X	X
H03	96	1235395	MOTOR COUPLING FLANGE	X	X	X	X
H03	97	1235396	MOTOR SHAFT GASKET	X	X	X	X
H03	99	1235398	MOTOR CAPACITOR	X	X	X	X
H03	118	1235867	SAFETY THERMOSTAT PROBE HOLDER	X		X	
H03	155	1235609	CAVITY HEATING ELEMENT PROTECTION COVER	X	X	X	X
H03	100	1235399	WASH INJECTOR	X	X	X	X
H04	101	1235400	WASH INJECTOR DIAMETER 1,5 mm	X	X	X	X
H04	103	1235884	TOURNIQUET ASSEMBLY	X	X	X	X
H04	104	1235369	VENT BOX PROBE - (for boiler machines and boilerless machines with humidity control)	X	X	X	X
H04	107	1235883	TOURNIQUET EXTERNAL HOLDER - <i>See also TSB 2009-0017 for more details</i>	X	X	X	X
H04	107.1	182801	WASHING PIPE		X	X	X
H04	107.2	173764	PIPE WATERINLET - (7 m total wire)		X	X	X
H04	107.3	1235654	TOURNIQUET EXTERNAL HOLDER GASKET - <i>See also TSB 2009-0017 for more details</i>	X	X	X	X
H04	109	RTFOC00203	2 WAYS SOLENOID VALVE		X	X	X
H04	110	RTFOC00520	3 WAYS SOLENOID VALVE		X	X	X
H04	111	178171	4 WAYS SOLENOID VALVE		X	X	X
H04	112	182756	SUPPORT		X	X	X
H04	113	172832	PRESSURE REDUCER		X	X	X

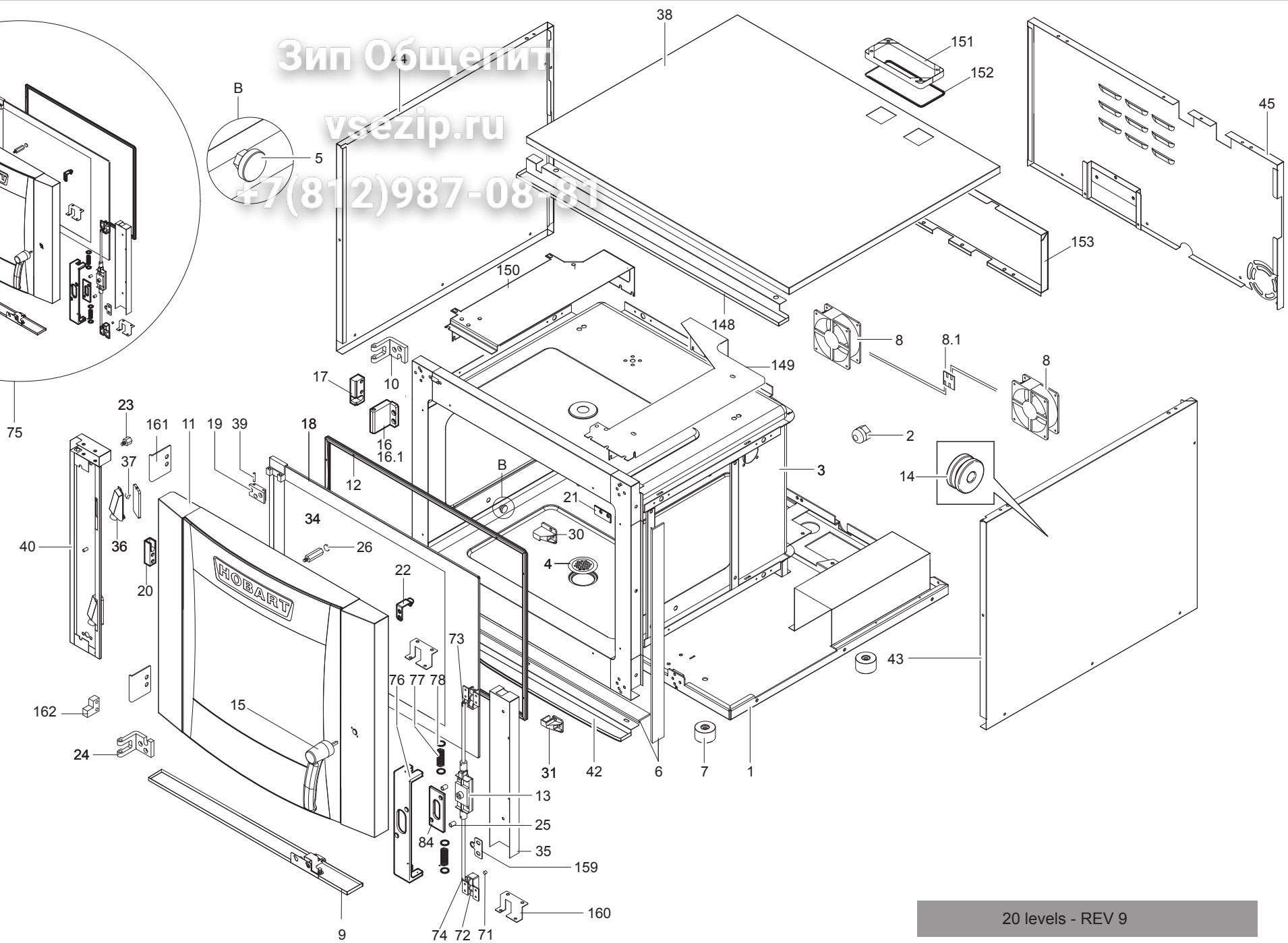
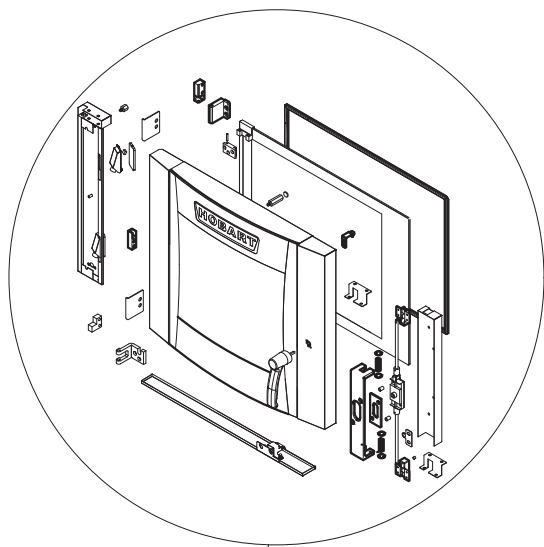
H04	119	1235513	VENT BOX (with holes for humidity probes)	X	X	X	X
H04	119	1235885	VENT BOX (without holes for humidity probes)	X	X	X	
H04	121	1235421	RUBBER PIPE	X	X	X	X
H04	123	1235890	DRAIN ASSEMBLY (with thread for drain grid insert)	X	X	X	X
H04	124	1235424	DRAIN SOLENOID VALVE	X	X	X	X
H04	126	1235426	DRAIN BOX INSPECTION COVER (with pipe for boiler drain)	X	X		X
H04	126	1235898	DRAIN BOX INSPECTION COVER (pipe for boiler closed because not to be used)	X	X	X	
H04	127	1235427	BOILER - COOKING CHAMBER CONNECTION PIPE	X	X	X	
H04	128	1235515	BOILER (fully compatible with the old one but In case of replacement it is recommended to request also the new floating device and its pipes)	X	X	X	
H04	129	1235517	BOILER HEATING ELEMENT 7.5 kW 208 V	X		X	
H04	129	1235516	BOILER HEATING ELEMENT 7.5 kW 277 V	X		X	
H04	129	1235430	BOILER HEATING ELEMENT 7.5 kW 230 V		X	X	
H04	130	1235431	BOILER HEATING ELEMENT GASKET	X	X	X	
H04	131	1235886	BOILER WATER LEVEL FLOATING DEVICE - 80 mm body length version <i>See also TSB 2009-011 and 012 for more details</i>	X	X	X	
H04	131	1235868	BOILER WATER LEVEL FLOATING DEVICE KIT - to retrofit new floating (65 mm leght body version) on existing boiler with former design <i>See also TSB 2009-011 and 012 for more details</i>	X	X	X	
H04	131	1235481	WATER SUPPLY PIPE DIAMETER 10 mm - BOILER	X	X	X	
H04	131	1235888	WATER SUPPLY PIPE DIAMETER 7.9 mm - BOILER	X	X	X	
H04	132	1235887	BOILER WATER LEVEL SUPPORT	X	X	X	
H04	133	1235514	BOILER INSULATION	X	X	X	
H04	135	1235436	VENT BOX COUPLING FLANGE	X	X	X	X
H04	136	1235512	BLANK BOILER HOLE COVER	X	X	X	
H04	142	1235420	VENT BOX PLUG	X	X	X	X



Red squared numbers correspond to recommended spare parts

\* UL is a mandatory certification for oven to be sold in USA. UL oven can have different elements voltage, a 110V detergent pump, different transformer, 60 Hz compatible components and few others details. If different,

Зип Общепит  
vsezip.ru  
+7(812)987-08-81



20 levels - REV 9

**HOBART**

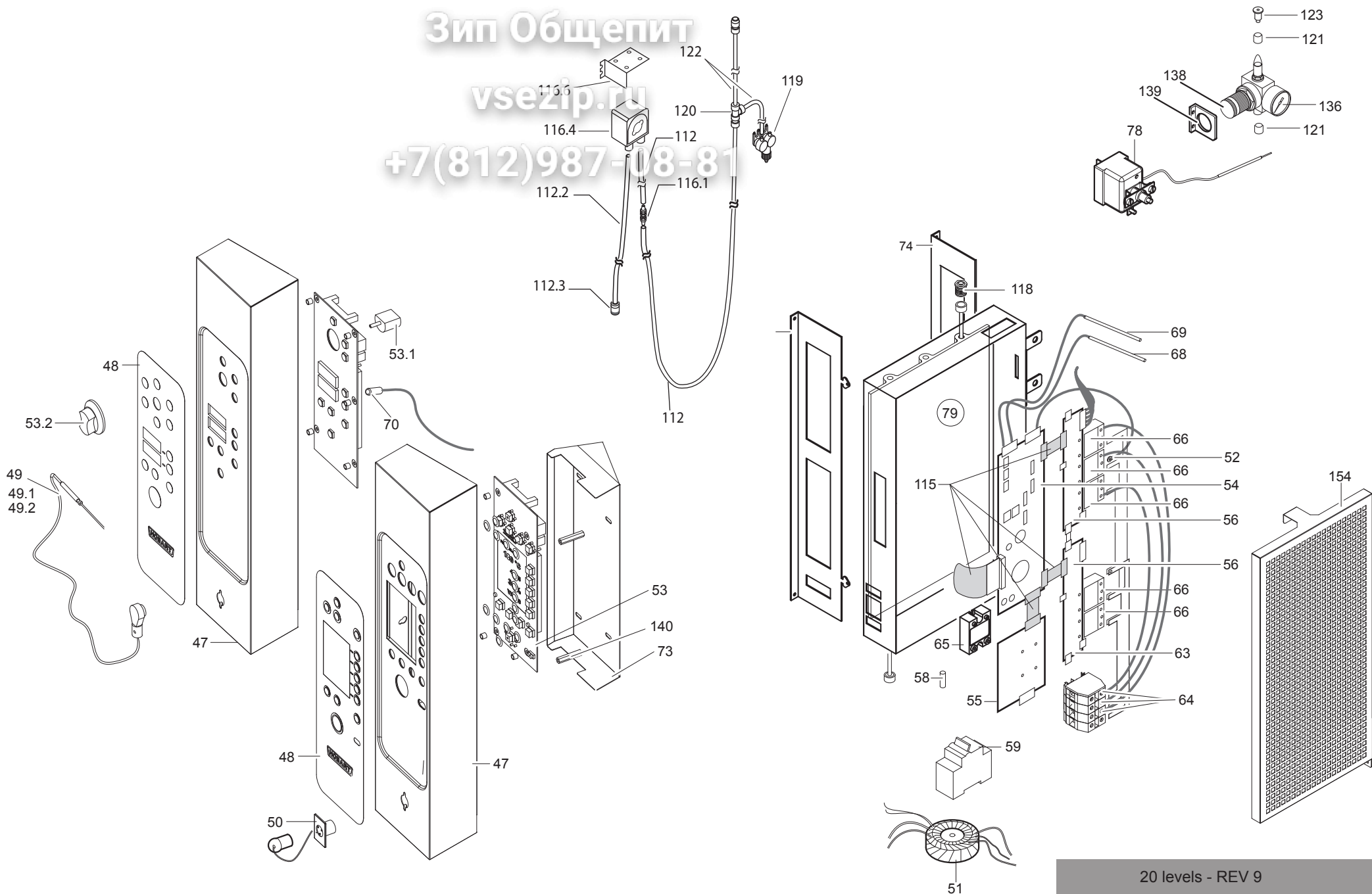
**TABLE H01**



Зип Общепит

vsezip.ru

+7(812)987-08-81



20 levels - REV 9

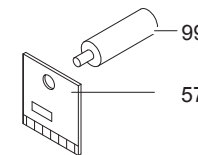
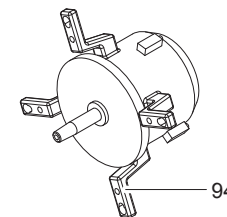
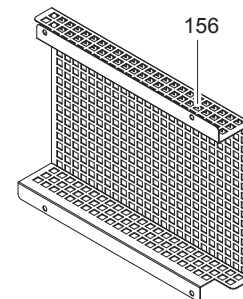
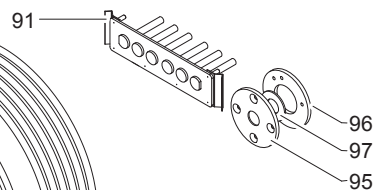
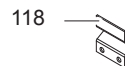
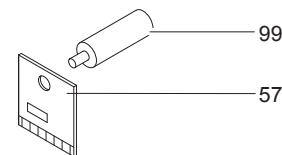
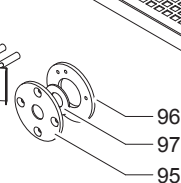
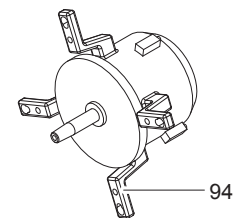
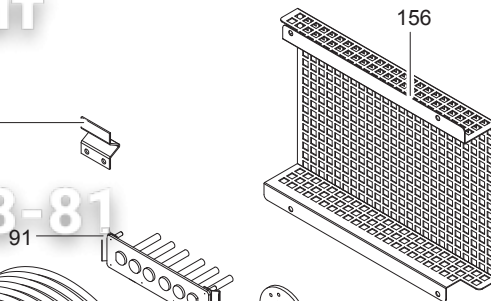
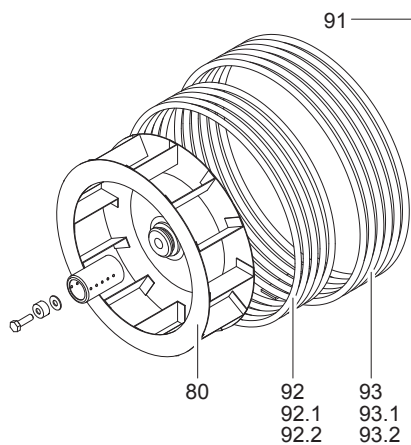
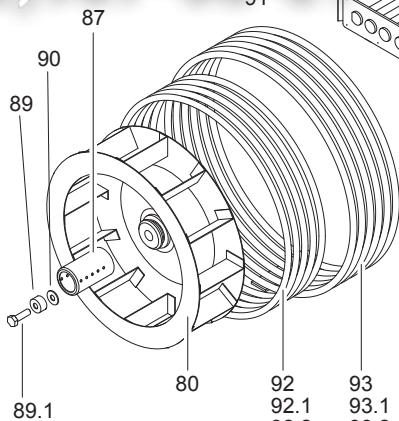
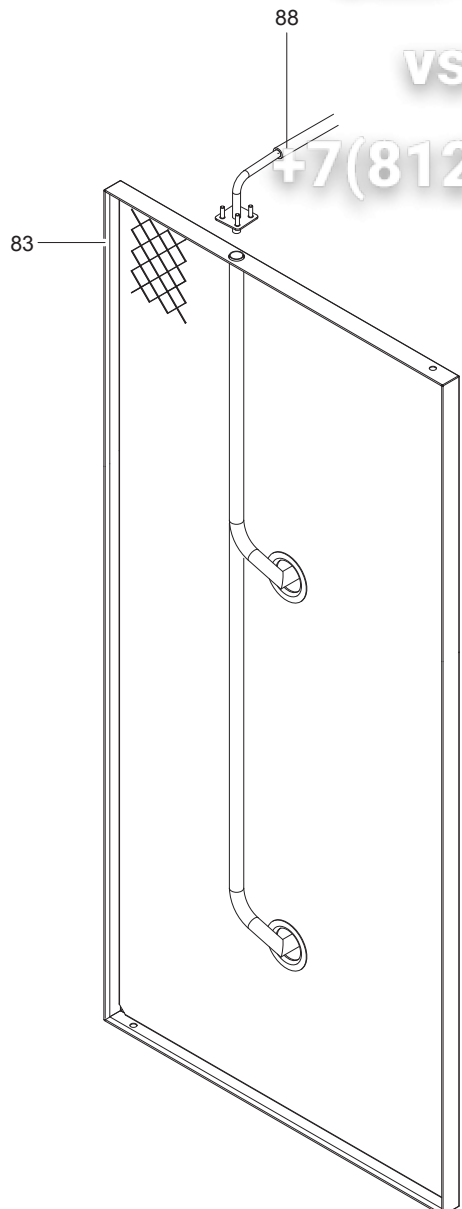
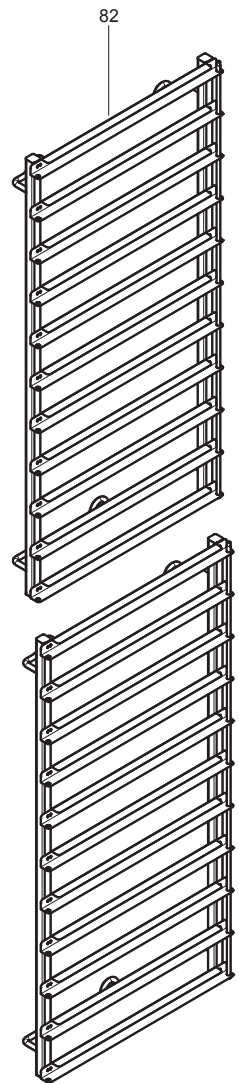
**HOBART**

**TABLE H02**

Зип Ощепит

vsezip.ru

+7(812)987-08-81

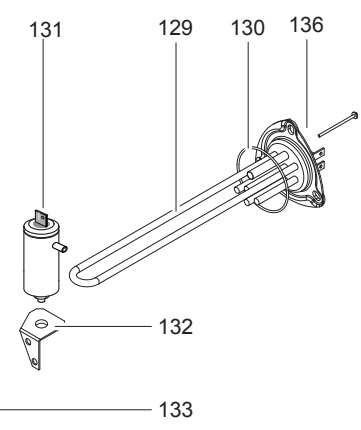
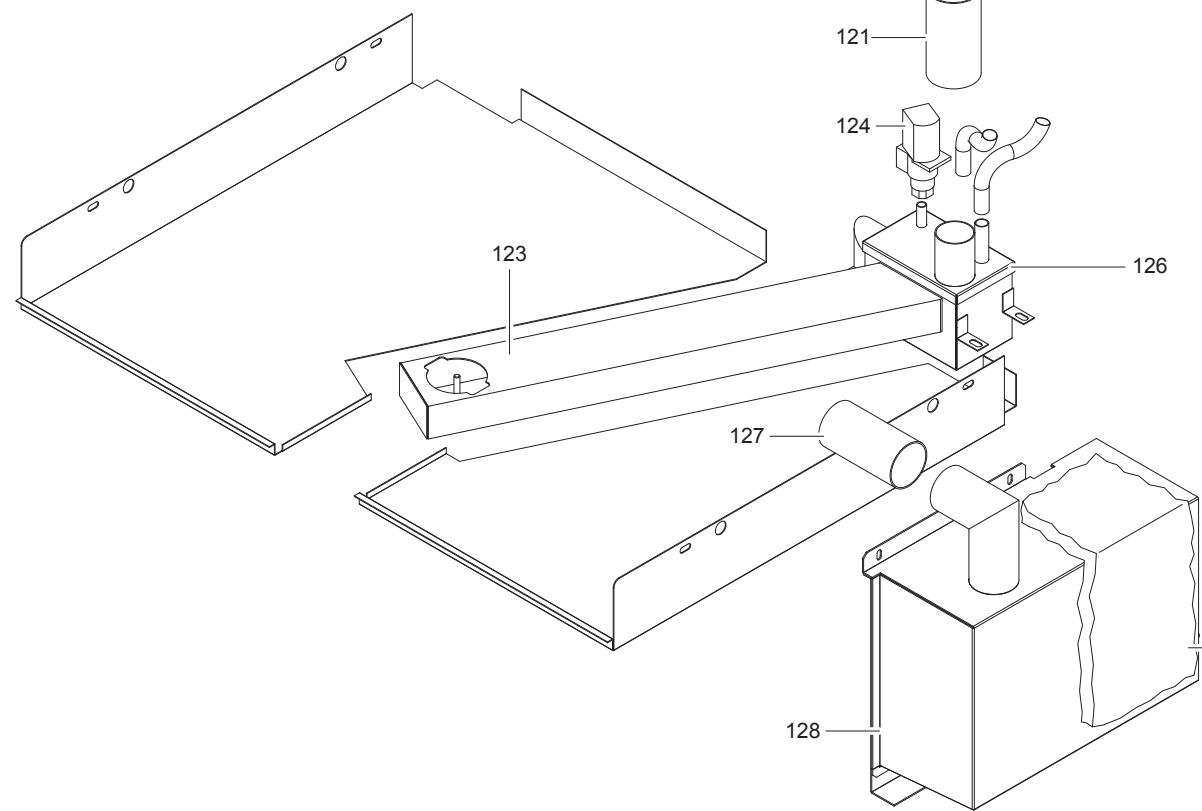
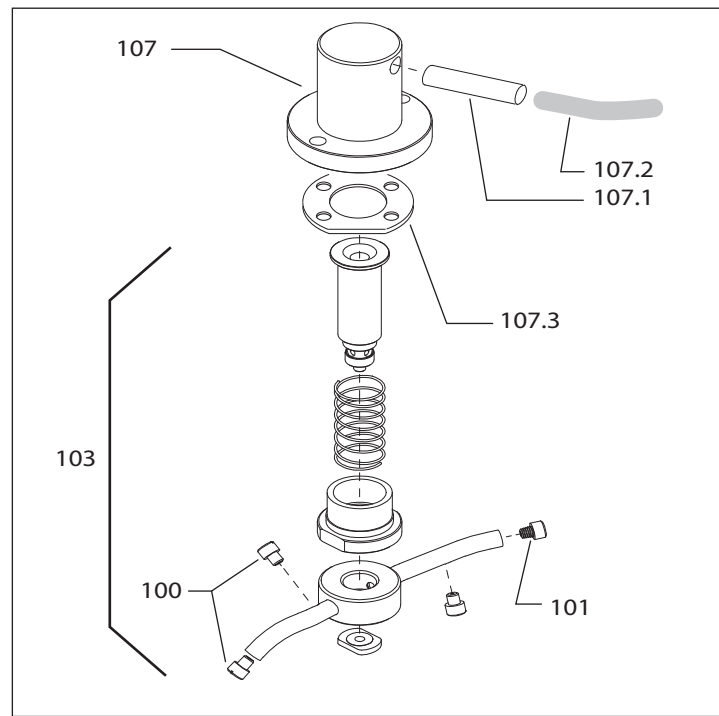
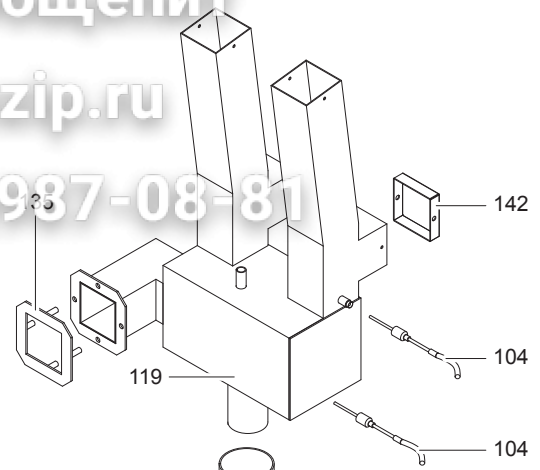
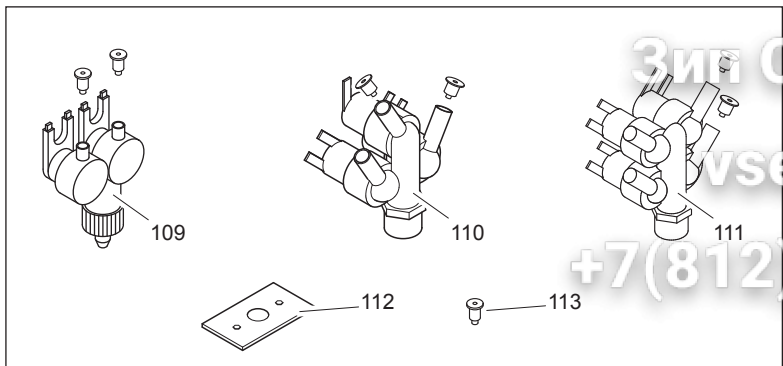


20 levels - REV 9

**HOBART**

**TABLE H03**

Зип Общепит  
vsezip.ru  
+7(812)987-08-81





3ipОбщепит

NOBART 201

vsezip.ru

+7(812)987-08-81

ELECTRIC OVEN  
FORNO ELETTRICO

GAS OVEN  
FORNO A GAS

OVEN WITH BOILER  
FORNO CON BOILER

DIRECT OVEN  
FORNO DIRETTO

OVEN WITH WASH CYCLE  
FORNO CON LAVAGGIO

OVEN WITH CORE PROBE  
FORNO CON SONDA AL CUORE

OVEN WITH TROLLEY  
FORNO CON TROLLEY

QUESTO CATALOGO RICAMBI SI RIFERISCE AI SOLI MODELLI CON CARRELLO. PER ULTERIORI PARTICOLARI DI RICAMBIO, FARE RIFERIMENTO AL CATALOGO STANDARD  
THIS SPARE PARTS CATALOGUE APPLY TO TROLLEY VERSIONS ONLY. FOR FURTHER SPARE PARTS, REFER TO STANDARD CATALOGUE

**REV. 01 - 18/03/2010**

SOSTITUITO MAGNETE PORTA COD. 1235970 CON COD. 1235123. REPLACED DOOR MAGNET COD. 1235970 WITH COD. 1235123

**REV. 02 - 13/05/2010**

MODIFICATO COPRISERRATURA COD. 1235971. LOCK COVER 1235971 MODIFICATION.

- INFORMAZIONI RIGUARDO LA PORTA MODELLO "VECCHIO" INSERITE NELLA TAVOLA 1. "OLD" DOOR INFO INSERTED INTO NEW TABLE 1.
- INFORMAZIONI RIGUARDO LA PORTA MODELLO "INTERMEDIO" INSERITE NELLA TAVOLA 2. "INTERMEDIATE" DOOR INFO INSERTED INTO NEW TABLE 2.
- INFORMAZIONI RIGUARDO LA PORTA MODELLO "NUOVO" INSERITE NELLA TAVOLA 3. "INTERMEDIATE" DOOR INFO INSERTED INTO NEW TABLE 3.
- INFORMAZIONI RIGUARDO I TROLLEY SONO STATE SPOSTATE NELLA NUOVA TAVOLA 4. INFO ABOUT TROLLEYS WERE MOVED TO NEW TABLE 4.

**REV. 03 - 04/2012**

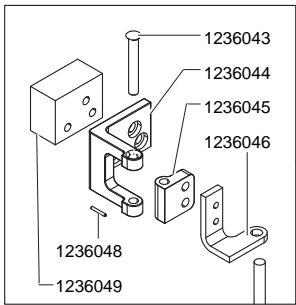
SOSTITUITO GRUPPO PORTA E VETRO SX VERSIONE NON RETROFIT DALLA MATRICOLA 1020991. REPLACED UNIT GLASS DOOR AND LEFT VERSION NO RETROFIT FROM SERIAL 1020991.

TAVOLE RINOMINATE/TABLE RENAMED: TAB.1 VERSION 1 (OLD VERSION), TAB.2 VERSION 2 (INTERMEDIATE VERSION), TAB.3 VERSION 3 (NEW VERSION), TAB. 5 (INFORMAZIONI RIGUARDO I TROLLEY/INFO ABOUT TROLLEYS).

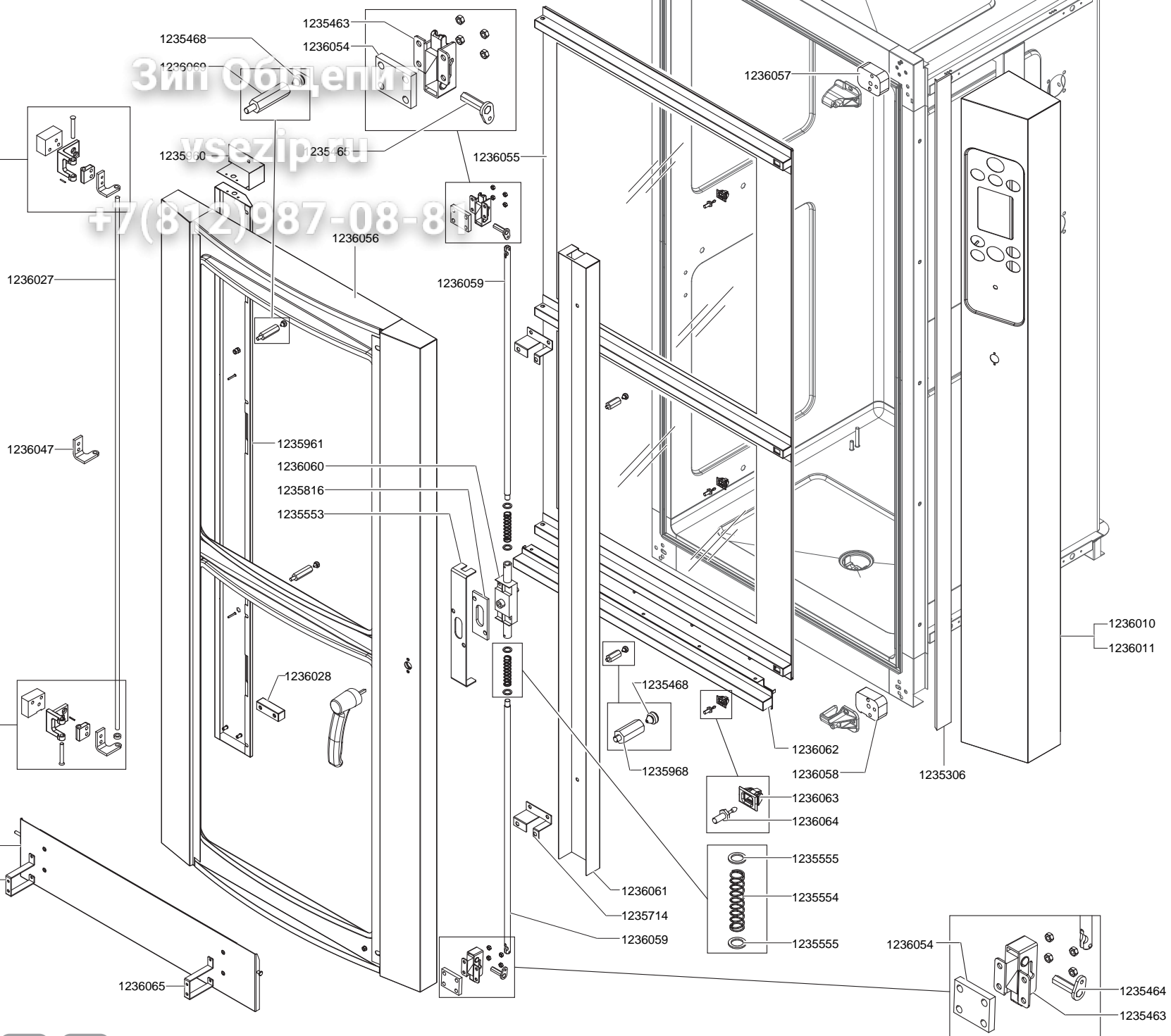
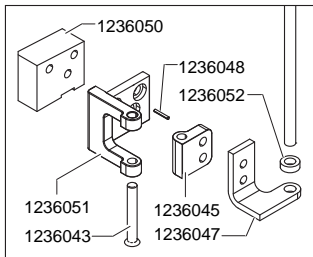
ELIMINATO/ELIMINATED: COD. 1235330, COD. 1235331, COD. 1235960, COD. 1235961, COD. 1235963, COD. 1235967, COD. 1236027, COD. 1236028, COD. 1235959, COD. 1235952.

SOSTITUITO/REPLACED: COD. 1236065 con/with COD. 1236174 e/and COD. 1236175, COD. 1235949 con/with COD. 1236176, COD. 1235971 con/with COD. 1236173, COD. 1235962 con/with COD. 1236172, COD. 1236053 con/with COD. 1236168.

AGGIUNTO/ADDED: TAB.4 VERSION 4, COD. 1236169, COD. 1236177, COD. 1236171, COD. 1235625, COD. 1235601, COD. 1235704, COD. 1235718, COD. 1236170, COD. 1236178.



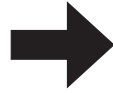
"OLD" DOOR CAN BE RECOGNIZED BY HINGED FIXED ON DOOR FRAME SIDE.



COD.	IT	FR	GB	DE
1235306	PROF.GUARNIZIONE CRUSC.FORNI	JOINT	GASKET	DICHTUNG
1235463	MECC. SERRATURA SOUTHCO P.F.	SERRURE	LOCK	VERRIEGELUNG
1235464	BIELLA SERR.SUP. DX - INF. SX	BIELLE	ROD	KURBELSTANGE
1235465	BIELLA SERR.SUP. SX - INF. DX	BIELLE	ROD	KURBELSTANGE
1235468	GOMMINO VETRO INT. P.F.	RUBBER STOP	RUBBER STOP	RUBBER STOP
1235553	SQ. RISCONTRO MOLLE	SUPPORT	SUPPORT	HALTERUNG
1235554	MOLLA COMP.C72 F.1,3 D.15 L=66,5 ZINC.B.	RESSORT	SPRING	FEDER
1235555	RONDELLA P.12,5X18X1,5 INOX	RONDELLE	WASHER	SCHEIBE
1235714	SQ.FIS.AS.PROTEZ.SERR.P.F.	SUPPORT	SUPPORT	HALTERUNG
1235816	SPESS.BLOCCO SERR.P.F.	CALE	SHIM	DISTANZSTÜCK
1235960	SUP.MICRO ACC.LAMP.F.TROLLEY MBLOC	SUPPORT MICRO LAMPE F.TROLLEY MBLOC	BRACKET MICRO LAMP F.TROLLEY MBLOC	UNTERSETZUNGSGETRIEBE F.TROLLEY MBLOC
1235961	PAN.INT.SUP.LAMP.F.20GN TROLLEY MBLOC	LAMPE DE SOUTIEN	LAMP SUPPORT	HALTERUNG
1235968	DISTANZ.L=29 VETRO INT.PORTA	ENTRTOISE	SPACER	DISTANZSTÜCK
1236010	AS.CRUSCOTTO F.DGT 20GN TROLLEY	PANNEAU DE CONTRÔLE F.DGT 20GN TROLLEY	CONTROL PANEL F.DGT 20GN TROLLEY	STIRNBRETT F.DGT 20GN TROLLEY
1236011	AS.CRUSCOTTO F.ANL 20GN TROLLEY	PANNEAU DE CONTRÔLE F.ANL 20GN TROLLEY	CONTROL PANEL F.ANL 20GN TROLLEY	STIRNBRETT F.ANL 20GN TROLLEY
1236027	AS.ASTA D.8 SUP.VETRO F.20GN TROLLEY	PIVOT	PIVOT	STAB
1236028	DIST.P/LAMP.P.F. TROLLEY	ENTRTOISE	SPACER	DISTANZSTÜCK
1236043	PERNO CERN.P.F.HOBART	PIVOT	PIN	ZAPFEN
1236044	CERN.SUP.PORTA F.10GN MW	CHARNIERE	HINGE	SCHARNIER
1236045	CERN.PORTA F.HOBART	CHARNIERE	HINGE	SCHARNIER
1236046	CERNIERA VETRO INT.ALTA	CHARNIERE	HINGE	SCHARNIER
1236047	CERN.CENT.CRISTALLO F.20GN TROLLEY	CHARNIERE	HINGE	SCHARNIER
1236048	SPINA ELASTICA 2X14 INOX	GOUPILLE	SPRING PIN	FEDERSTECKER
1236049	SP.CERNIERE ALTA PORTA F.TROLLEY	CALE	SHIM	DISTANZSTÜCK
1236050	SP.CERNIERE BASSA PORTA F.TROLLEY	CALE	SHIM	DISTANZSTÜCK
1236051	CERN.INF.PORTA F.TROLLEY	CHARNIERE	HINGE	SCHARNIER
1236052	RONDELLA ASTA SUP.VETRO F.20GN TROLLEY	RONDELLE	WASHER	SCHEIBE
1236054	BLOCC.SERRATURA P.F.HOBART	SERRURE	LOCK	VERRIEGELUNG
1236055	GR.VETRO INT.P.F.20GN TROLLEY MBLOC	CRISTAL	CRYSTALL GLASS	KRISTALLGLAS
1236056	AS.PORTA SX F.20GN TROLLEY MBLOC	PORTE FOUR GAUCHE F.20GN TROLLEY MBLOC	DOOR, OVEN LH F.20GN TROLLEY MBLOC	TÜR, OFEN LINKS F.20GN TROLLEY MBLOC
1236057	SPESS.RISCONTRO SERR.ALTO TROLLEY	CALE	SHIM	DISTANZSTÜCK
1236058	SPESS.RISCONTRO SERR.BASSO TROLLEY	CALE	SHIM	DISTANZSTÜCK
1236059	PROLUNGA SERR.P.F.20GN	BUSE	SPRUE BUSH	DUESE
1236060	MECC.CENT.SERR.P.FCV.020942	MÉCANISME, CENTR.PLINTH FCV.	CRAB, CENTR.SERR.P.FCV.	TRIEBWERK, ZENTR.SER.P.FCV.
1236061	PROTEZ.SERR.P.F.20GN TROLLEY	PROTECTION SERR.P.F.20GN TROLLEY	LH OV.DOOR LOCK.SAFETY P.F.20GN TROLLEY	SCHUTZ, OF.TÜRSCHLOSS LINKS P.F.20GN TROLLEY

COD.	IT	FR	GB	DE
1236062	AS.SUPP.GUARN.F. TROLLEY MBLOC	JOINT SUPPORT	GASKET SUPPORT	DICHTUNG
1236063	CLIP VETRO F. TROLLEY	CLIP DE VERRE	GLASS CLIP	GLASS CLIP
1236064	PERNO BLOCC.CRIST.INT.F. TROLLEY	PIVOT	PIN	ZAPFEN
1236065	MANIGLIA PARATIA F.HOBART TROLLEY MBLOC	POIGNÉE	HANDLE	HANDGRIFF
1236066	AS.PARATIA PRERISC.F.HOB TROLLEY MBLOC	CLOISON	BULKHEAD	SCHOTT
1236069	DISTANZ.L=43 VETRO INT.P.F.HOBART TROLLEY	ENTRTOISE	SPACER	DISTANZSTÜCK

"INTERMEDIATE" DOOR CAN BE RECOGNIZED BY DOOR HINGES FIXED TO TOP OF THE DOOR FRAME AND PRESENCE OF PARTS "E"

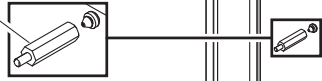


Зип-Общепит

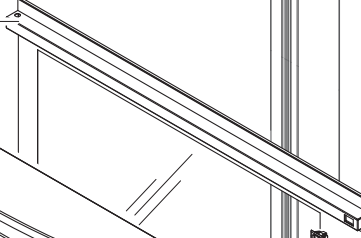
vsezip.ru

+7(812)987-08-81

1236069  
**A**



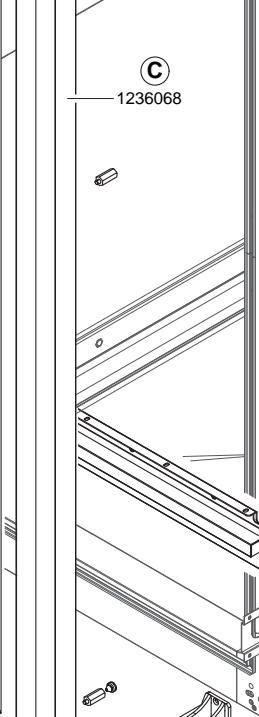
1236067  
**B**



1236047  
**D**



1236068  
**C**

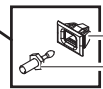


INTERMEDIATE DOOR VERSION SHALL BE UPDTED TO NEW DOOR VERSION.

TO DO THIS YOU NEED TO:

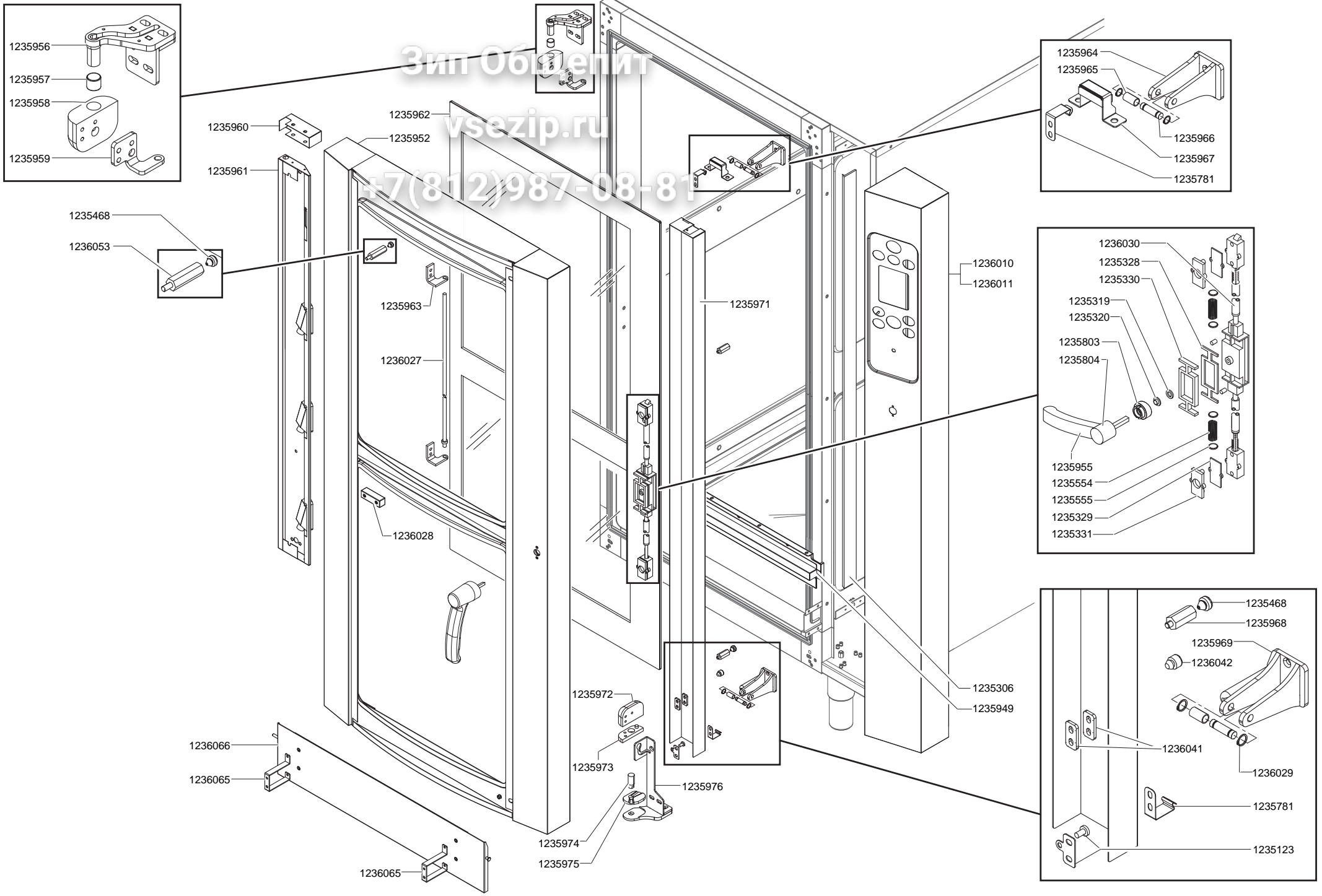
- A:** replace cod. 1236069 with cod. 1236053
- B:** replace cod. 1236067 with cod. 1235962
- C:** replace cod. 1236068 with cod. 1235971
- D:** replace cod. 1236047 with cod. 1235963
- E:** remove cod. 1236063 and cod. 1236064

1236063  
1236064  
**E**





COD.	IT	FR	GB	DE
1236047	CERN.CENT.CRISTALLO F.20GN TROLLEY	CHARNIERE	HINGE	SCHARNIER
1236063	CLIP VETRO F. TROLLEY	CLIP DE VERRE	GLASS CLIP	GLASS CLIP
1236064	PERNO BLOCC.CRIST.INT.F. TROLLEY	PIVOT	PIN	ZAPFEN
1236067	CRISTALLO INT.P.F.20GN TROLLEY	CRISTAL	CRYSTALL GLASS	KRISTALLGLAS
1236068	PROTEZ.SERR.P.F.20GN TROLLEY	PROTECTION SERR.P.F.20GN TROLLEY	L.H OV.DOOR LOCK.SAFETY P.F.20GN TROLLEY	SCHUTZ, OF.TÜRSCHLOSS LINKS P.F.20GN TROLLEY
1236069	DISTANZ.L=43 VETRO INT.P.F.HOBART TROLLEY	ENTRTOISE	SPACER	DISTANZSTÜCK



COD.	IT	GB	DE	
1235123	P/MAGNETE PORTA	PORTE-AIMANT	MAGNET-HOLDER	MAGNETFASSUNG
1235306	PROF.GUARNIZIONE CRUSC.FORNI	JOINT	GASKET	DICHTUNG
<b>1235319</b>	<b>ANELLO EST.MAN.P.F.FCV.</b>	<b>BAGUE EXT.POIGNÉE PORTE FOUR FCV.</b>	<b>RING, OUT.ADHESIVE FOR KNOB FCV.</b>	<b>RING, AUSS. DREHKNOPF FCV.</b>
<b>1235320</b>	<b>ANELLO INT.GRADINO MAN.P.F.FCV</b>	<b>BAGUE INT.POUR POIGNÉE PORTE FOUR FCV</b>	<b>RING, INS. FOR KNOB</b>	<b>RING, INN. FÜR DREHKNOPF</b>
1235328	DISTANZ.CENT.SERR.FGC060/1	ENTRETOISE CENTR.SERRURE FGC060/1	SPACER, CENTR.LOCK.GC060/1	ABSTANDSSTÜCK, ZENTR.VERRIEG.GC060/1
1235329	DISTANZ.INF/SUP SERR	ENTRETOISE .SERRURE FGC060/1	SPACER, LOCK.GC060/1	ABSTANDSSTÜCK, .VERRIEG.GC060/1
1235330	ZOCCOLO CENT.SER.P.FCV.020944	SOCLE, CENTR.PLINTH FCV.020944	SOCLE CENTR.SERR.P.FCV.020944	SOCKEL, ZENTR.SER.P.FCV.020944
1235331	ZOCCOLO EST.SER.P.FCV.020945	SOCLE EXT.SERR.P. FCV.020945	SOCLE, OUT. PLINTH FCV.020945	SOCKEL, AUSS. SER.P.FCV.020945
1235468	GOMMINO VETRO INT. P.F.	RUBBER STOP	RUBBER STOP	RUBBER STOP
1235554	MOLLA COMP.C72 F.1,3 D.15 L=66,5 ZINC.B.	RESSORT	SPRING	FEDER
1235555	RONDELLA P.12,5X18X1,5 INOX	RONDELLE	WASHER	SCHEIBE
1235713	PIASTR.FISS.MAGNETE CONTATTO PORTA *NEW*	PLAT	FLAT	FLACHEISEN
1235781	MOLLETTA BLOC.VETRO INT.	RESSORT	SPRING	FEDER
<b>1235803</b>	<b>BASETTA MANIGLIA CR.FINITA</b>	<b>EPAISSEUR POIGNÉE</b>	<b>HANDLE</b>	<b>HANDGRIFF</b>
<b>1235804</b>	<b>MANIGLIA FORNO BLU</b>	<b>POIGNÉE BLEU</b>	<b>BLUE HANDLE</b>	<b>BLAU HANDGRIFF</b>
1235949	GR.GUARNIZIONE TROLLEY	JOINT	GASKET	DICHTUNG
1235952	AS.PORTA SX F.20GN TROLLEY MBLOC	PORTE FOUR GAUCHE F.20GN TROLLEY	DOOR, OVEN LH F.20GN TROLLEY	TÜR, OFEN LINKS F.20GN TROLLEY
<b>1235955</b>	<b>MANIGLIA F.FCV NERA</b>	<b>POIGNÉE NOIR</b>	<b>BLACK HANDLE</b>	<b>SCHWARZ HANDGRIFF</b>
1235956	AS.CERNIERA SUP. TROLLEY	CHARNIERE	HINGE	SCHARNIER
1235957	BOCCOLA GLYCODUR SFBSF-1 15 15	BUCHSE	BUSHING	BUCHSEN
1235958	BLOCCO CERNIERA SUPERIORE	BLOC DE CHARNIÈRE	BLOCK HINGE	SCHARNIER
1235959	CERNIERA VETRO INT.ALTA	CHARNIERE	HINGE	SCHARNIER
1235960	SUP.MICRO ACC.LAMP.F.TROLLEY MBLOC	SUPPORT MICRO LAMPE F.TROLLEY MBLOC	BRACKET MICRO LAMP F.TROLLEY MBLOC	UNTERSETZUNGSGETRIEBE F.TROLLEY MBLOC
1235961	PAN.INT.SUP.LAMP.F.20GN TROLLEY MBLOC	LAMPE DE SOUTIEN	LAMP SUPPORT	HALTERUNG
1235962	CRISTALLO INT.P.F.20GN TROLLEY	CRISTAL	CRYSTALL GLASS	KRISTALLGLAS
1235963	CERN.CENT.CRISTALLO F.20GN TROLLEY MBLOC	CHARNIERE	HINGE	SCHARNIER
1235964	AS.GANCIO SERR. SUP.	CROCHET SERRURE	HOOK LOCK	HAKEN
1235965	ANELLO GANCIO SERRATURA	BAGUE	RING	DICHTUNGSRING
1235966	RULLINO GANCIO SERRATURA	AIGUILLE	NEEDLE ROLLER	NADEL
1235967	STAFFA ATTACCO MOLLA	GUIDE	GUIDE	FUEHRUNG
1235968	DISTANZ.L=29 VETRO INT.PORTA	ENTRTOISE	SPACER	DISTANZSTÜCK
1235969	AS.GANCIO SERR. INF.	CROCHET SERRURE	HOOK LOCK	HAKEN
1235971	PROTEZ.SERR.P.F.20GN TROLLEY	PROTECTION SERR.P.F.20GN TROLLEY	LH OV.DOOR LOCK.SAFETY P.F.20GN TROLLEY	SCHUTZ, OF.TÜRSCHLOSS LINKS P.F.20GN TROLLEY
1235972	BLOCCO CERNIERA INFERIORE	BLOC DE CHARNIÈRE	BLOCK HINGE	SCHARNIER
1235973	MASCHIO SALTARELLO	PLAT	FLAT	FLACHEISEN

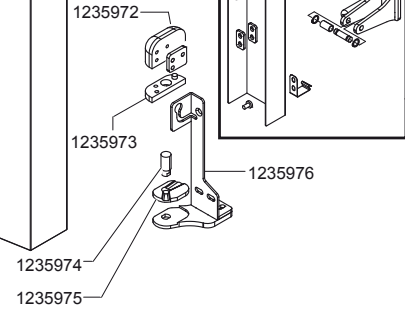
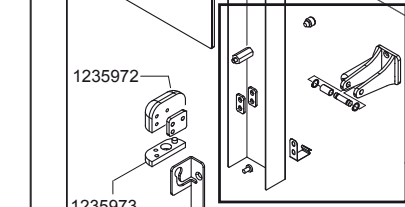
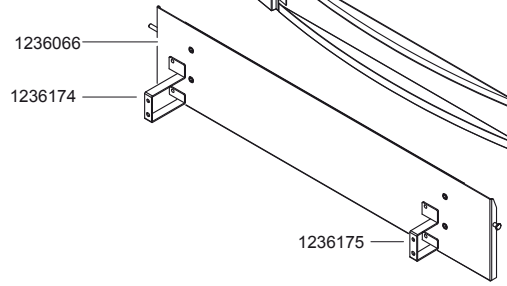
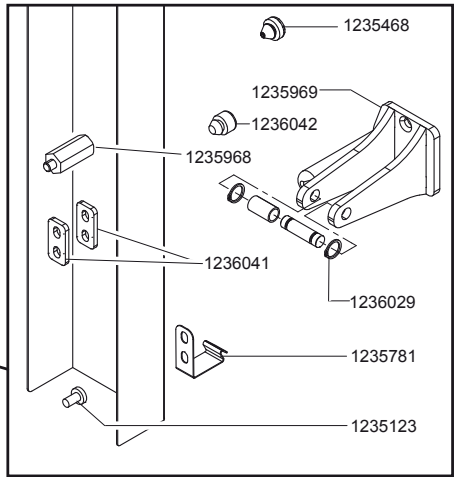
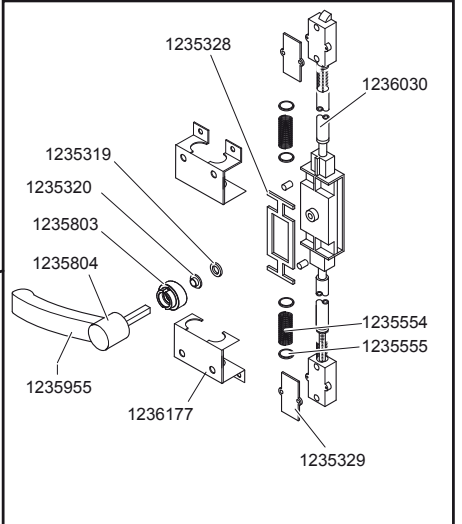
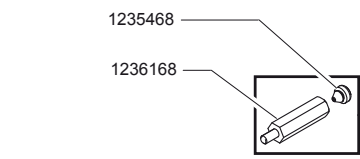
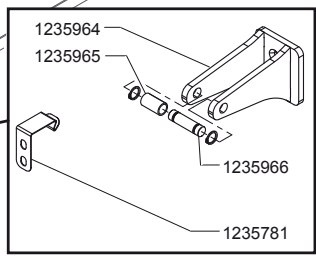
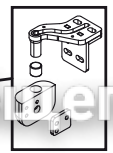
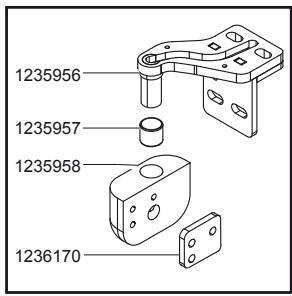
COD.	IT	FR	GB	DE
1235974	PERNO BLOCCAGGIO SALTARELLO	PIVOT	PIN	ZAPFEN
1235975	FEMMINA SALTARELLO	PLAT	FLAT	FLACHEISEN
1235976	AS.CERNIERA INF. TROLLEY	CHARNIERE	HINGE	SCHARNIER
1235979	PILETTA 1,5"	PIVOT	PIN	ZAPFEN
1235980	VASCHETTA CARRELLO F.GN201/1	CUVE	BOWL	BECKEN
1235981	RUOTA NORMALE	NORMAL DE ROUE	NORMAL WHEEL	NORMAL WHEEL
1235982	RUOTA CON FRENO	ROUE AVEC FREIN	WHEEL WITH BRAKE	RADBREMSE
1235983	ASSIEME MANIGLIONE	MANCHE	HANDLE	HANDLE
1235984	AS. TROLLEY	TROLLEY	TROLLEY	TROLLEY
1235985	VASCHETTA SOTTO PIATTI	CUVE	BOWL	BECKEN
1235986	AS. TROLLEY 20 GN1/1 SALDATO	TROLLEY	TROLLEY	TROLLEY
1235987	AS. MANIGLIONE PORTA PIATTI	MANCHE	HANDLE	HANDLE
1236010	AS.CRUSCOTTO F.DGT 20GN TROLLEY	PANNEAU DE CONTRÔLE F.DGT 20GN TROLLEY	CONTROL PANEL F.DGT 20GN TROLLEY	STIRNBRETT F.DGT 20GN TROLLEY
1236011	AS.CRUSCOTTO F.ANL 20GN TROLLEY	PANNEAU DE CONTRÔLE F.ANL 20GN TROLLEY	CONTROL PANEL F.ANL 20GN TROLLEY	STIRNBRETT F.ANL 20GN TROLLEY
1236027	AS.ASTA D.8 SUP.VETRO F.20GN TROLLEY	PIVOT	PIVOT	STAB
1236028	DIST.P/LAMP.P.F. TROLLEY	ENTRTOISE	SPACER	DISTANZSTÜCK
1236029	SEEGER RS-6	SEEGER RS-6	SEEGER RS-6	SEEGER RS-6
1236030	PROLUNGA SERR.P.F.TROLLEY	BUSE	SPRUE BUSH	DUESE
1236041	DIST.INF.MOLLETTA TROLLEY	ENTRTOISE	SPACER	DISTANZSTÜCK
1236042	GOMMINO PORTA A.GC49 15-615	CAPSULE	RUBBER BUFFER	GUMMIPUFFER
1236053	DISTANZ.L=44 VETRO INT.P.F.HOBART TROLLEY	ENTRTOISE	SPACER	DISTANZSTÜCK
1236065	MANIGLIA PARATIA F.HOBART TROLLEY MBLOC	POIGNÉE	HANDLE	HANDGRIFF
1236066	AS.PARATIA PRERISC.F.HOB TROLLEY MBLOC	CLOISON	BULKHEAD	SCHOTT

 = RICAMBI CONSIGLIATI

= PIÈCES DE RECHANGE RECOMMANDÉES

= RECOMMENDED SPARE PARTS

= EMPFOHLENE ERSATZTEILE



Зип Обслуживание  
vsezip.ru


+7(812)987-08-81



**HOBART 201 TAB.4 - VERSION 4**

COD.	IT	FR	GB	DE
1235123	P/MAGNETE PORTA	PORTE-AIMANT	MAGNET-HOLDER	MAGNETFASSUNG
1235306	PROF.GUARNIZIONE CRUSC.FORNI	JOINT	GASKET	DICHTUNG
1235319	<b>ANELLO EST.MAN.P.F.FCV.</b>	<b>BAGUE EXT.POIGNÉE PORTE FOUR FCV.</b>	<b>RING, OUT.ADHESIVE FOR KNOB FCV.</b>	<b>RING, AUSS. DREHKNOPF FCV.</b>
1235320	<b>ANELLO INT.GRADINO MAN.P.F.FCV</b>	<b>BAGUE INT.POUR POIGNÉE PORTE FOUR FCV</b>	<b>RING, INS. FOR KNOB</b>	<b>RING, INN. FÜR DREHKNOPF</b>
1235328	DISTANZ.CENT.SERR.FGC060/1	ENTRETOISE CENTR.SERRURE FGC060/1	SPACER, CENTR.LOCK.GC060/1	ABSTANDSSTÜCK, ZENTR.VERRIEG.GC060/1
1235329	DISTANZ.INF/SUP SERR	ENTRETOISE.SERRURE FGC060/1	SPACER, LOCK.GC060/1	ABSTANDSSTÜCK, .VERRIEG.GC060/1
1235468	GOMMINO VETRO INT. P.F.	RUBBER STOP	RUBBER STOP	RUBBER STOP
1235554	MOLLA COMP.C72 F.1,3 D.15 L=66,5 ZINC.B.	RESSORT	SPRING	FEDER
1235555	RONDELLA P.12,5X18X1,5 INOX	RONDELLE	WASHER	SCHEIBE
1235713	PIASTR.FISS.MAGNETE CONTATTO PORTA *NEW*	PLAT	FLAT	FLACHEISEN
1235781	MOLLETTA BLOC.VETRO INT.	RESSORT	SPRING	FEDER
1235803	<b>BASETTA MANIGLIA CR.FINITA</b>	<b>EPAISSEUR POIGNÉE</b>	<b>HANDLE</b>	<b>HANDGRIFF</b>
1235804	<b>MANIGLIA FORNO BLU</b>	<b>POIGNÉE BLEU</b>	<b>BLUE HANDLE</b>	<b>BLAU HANDGRIFF</b>
1236176	GR.GUARNIZIONE TR-MBLOC 2011	JOINT	GASKET ASSEMBLY FOR TROLLEY OVEN	DICHTUNG
1236178	AS.PORTA SX F.20GN TROLLEY MBLOC	PORTE FOUR GAUCHE F.20GN TROLLEY	DOOR, OVEN LH F.20GN TROLLEY	TÜR, OFEN LINKS F.20GN TROLLEY
1235955	<b>MANIGLIA F.FCV NERA</b>	<b>POIGNÉE NOIR</b>	<b>BLACK HANDLE</b>	<b>SCHWARZ HANDGRIFF</b>
1235956	AS.CERNIERA SUP. TROLLEY	CHARNIERE	HINGE	SCHARNIER
1235957	BOCCOLA GLYCODUR SFBSF-1 15 15	BUCHSE	BUSHING	BUCHSEN
1235958	BLOCCO CERNIERA SUPERIORE	BLOC DE CHARNIÈRE	BLOCK HINGE	SCHARNIER
1236170	RINF.EST.BLOCCO CERNIERA TR MBLOC	CHARNIERE	EXTERNAL SUPPORT HINGE TROLLEY OVEN	SCHARNIER
1236172	GR.VETRO INT.P.F.20GN TR-MBLOC 2011	CRISTAL	INNER GLASS ASSEMBLY	KRISTALLGLAS
1235964	AS.GANCIO SERR. SUP.	CROCHET SERRURE	HOOK LOCK	HAKEN
1235965	ANELLO GANCIO SERRATURA	BAGUE	RING	DICHTUNGSRING
1235966	RULLINO GANCIO SERRATURA	AIGUILLE	NEEDLE ROLLER	NADEL
1235968	DISTANZ.L=29 VETRO INT.PORTA	ENTRTOISE	SPACER	DISTANZSTÜCK
1235969	AS.GANCIO SERR. INF.	CROCHET SERRURE	HOOK LOCK	HAKEN
1236173	GR.PROT.SERR.P.F.20GN TR-MBLOC 2011	PROTECTION SERR.P.F.20GN TROLLEY	LOCK ASSEMBLY PROTECTION 20 GN TROLLEY VERSION	SCHUTZ, OF.TÜRSCHLOSS LINKS P.F.20GN TROLLEY
1235972	BLOCCO CERNIERA INFERIORE	BLOC DE CHARNIÈRE	BLOCK HINGE	SCHARNIER
1235973	MASCHIO SALTARELLO	PLAT	FLAT	FLACHEISEN
1235974	PERNO BLOCCAGGIO SALTARELLO	PIVOT	PIN	ZAPFEN
1235975	FEMMINA SALTARELLO	PLAT	FLAT	FLACHEISEN
1235976	AS.CERNIERA INF. TROLLEY	CHARNIERE	HINGE	SCHARNIER
1236010	AS.CRUSCOTTO F.DGT 20GN TROLLEY	PANNEAU DE CONTRÔLE F.DGT 20GN TROLLEY	CONTROL PANEL F.DGT 20GN TROLLEY	STIRNBRETT F.DGT 20GN TROLLEY
1236011	AS.CRUSCOTTO F.ANL 20GN TROLLEY	PANNEAU DE CONTRÔLE F.ANL 20GN TROLLEY	CONTROL PANEL F.ANL 20GN TROLLEY	STIRNBRETT F.ANL 20GN TROLLEY
1236029	SEEGER RS-6	SEEGER RS-6	SEEGER RS-6	SEEGER RS-6
1236030	PROLUNGA SERR.P.F.TROLLEY	BUSE	SPRUE BUSH	DUESE
1236041	DIST.INF.MOLLETTA TROLLEY	ENTRTOISE	SPACER	DISTANZSTÜCK
1236042	GOMMINO PORTA A.GC49 15-615	CAPSULE	RUBBER BUFFER	GUMMIPUFFER
1236168	DISTANZ.L=68,3/M VETRO INT.P.F.HOBART	ENTRTOISE	TRINNER GLASS SPACER TROLLEY OVEN	DISTANZSTÜCK
1236174	MANIGLIA SX PARATIA F.HOBART TR 2011	POIGNÉE	LEFT HANDLE OF THE PLATE TROLLEY VERSION	HANDGRIFF
1236175	MANIGLIA DX PARATIA F.HOBART TR 2011	POIGNÉE	RIGHT HANDLE OF THE PLATE TROLLEY VERSION	HANDGRIFF
1236066	AS.PARATIA PRERISC.F.HOB TROLLEY MBLOC	CLOISON	BULKHEAD	SCHOTT
1236169	AS.CERN.VETRO F.20GN 2010	ENSAMBLE CHARNIERE VITRE	INNER GLASS SUPPORT	INNERER GLASHALTER

COD.	IT	FR	GB	DE
1236171	PIASTRA CHIUS.CERN.P.20GN TR-MBLOC 2011	PLAQUE FERMETURE CHARNIERE	PLATE HINGE CLOSURE FOR 20GN TROLLEY OVEN	PLATTE FUER SCHARNIER-VERSCHLUSS
1236177	SQ.FIS.AS.PROT.SERR.P.F.TR-MBLOC -2011	PLAQUE FIXATION ENSAMBLE PROTECTION SERRURE	SUPPORT BRACKET PROTECTION OF THE LOCK TROLLEY OVEN	HAELTERSCHUTZ FUER DAS SCHLOSS
1235625	MASCHERINA PANNELLO CONTROLLO ANALOGICA BLUE	PANNEAU CONTROLE ANALOGIQUE BLEU	CONTROL PANEL OVERLAY ANALOG BLUE	KONTROLTAFEL-VORRICHTUNG ANALOG BLAU
1235601	MASCHERINA PANNELLO CONTROLLO DIGITALE BLUE	PANNEAU CONTROLE DIGITALE BLEU	CONTROL PANEL OVERLAY DIGITAL BLUE	KONTROLTAFEL-VORRICHTUNG DIGITAL BLAU
1235704	MASCHERINA PANNELLO CONTROLLO ANALOGICA NERA	PANNEAU CONTROLE ANALOGIQUE NOIR	CONTROL PANEL OVERLAY ANALOG BLACK	KONTROLTAFEL-VORRICHTUNG ANALOG SCHWARZ
1235718	MASCHERINA PANNELLO CONTROLLO DIGITALE NERA	PANNEAU CONTROLE DIGITALE NOIR	CONTROL PANEL OVERLAY DIGITAL BLACK	KONTROLTAFEL-VORRICHTUNG DIGITAL SCHWARZ

 = RICAMBI CONSIGLIATI

= PIÈCES DE RECHANGE RECOMMANDÉES

= RECOMMENDED SPARE PARTS

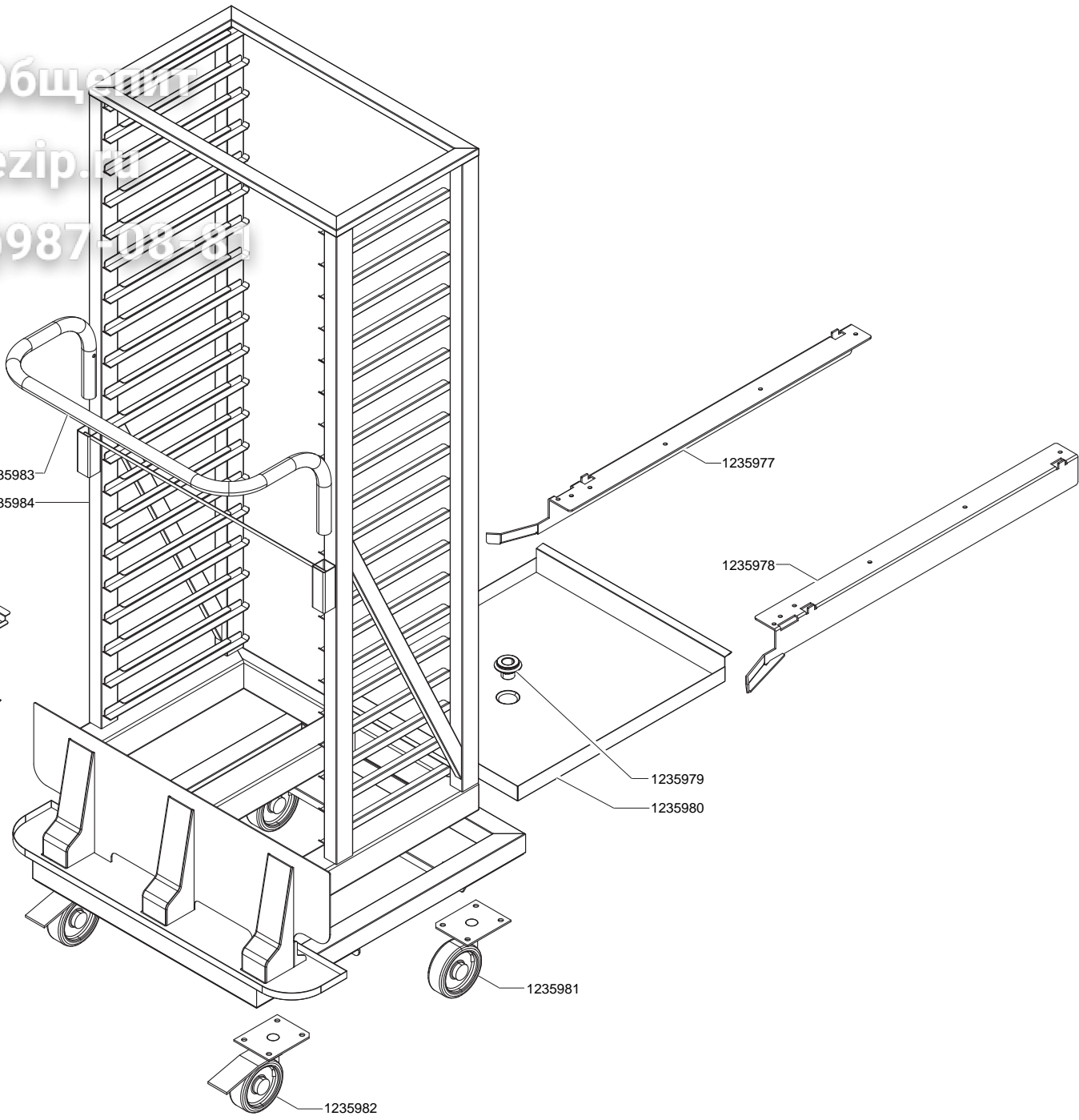
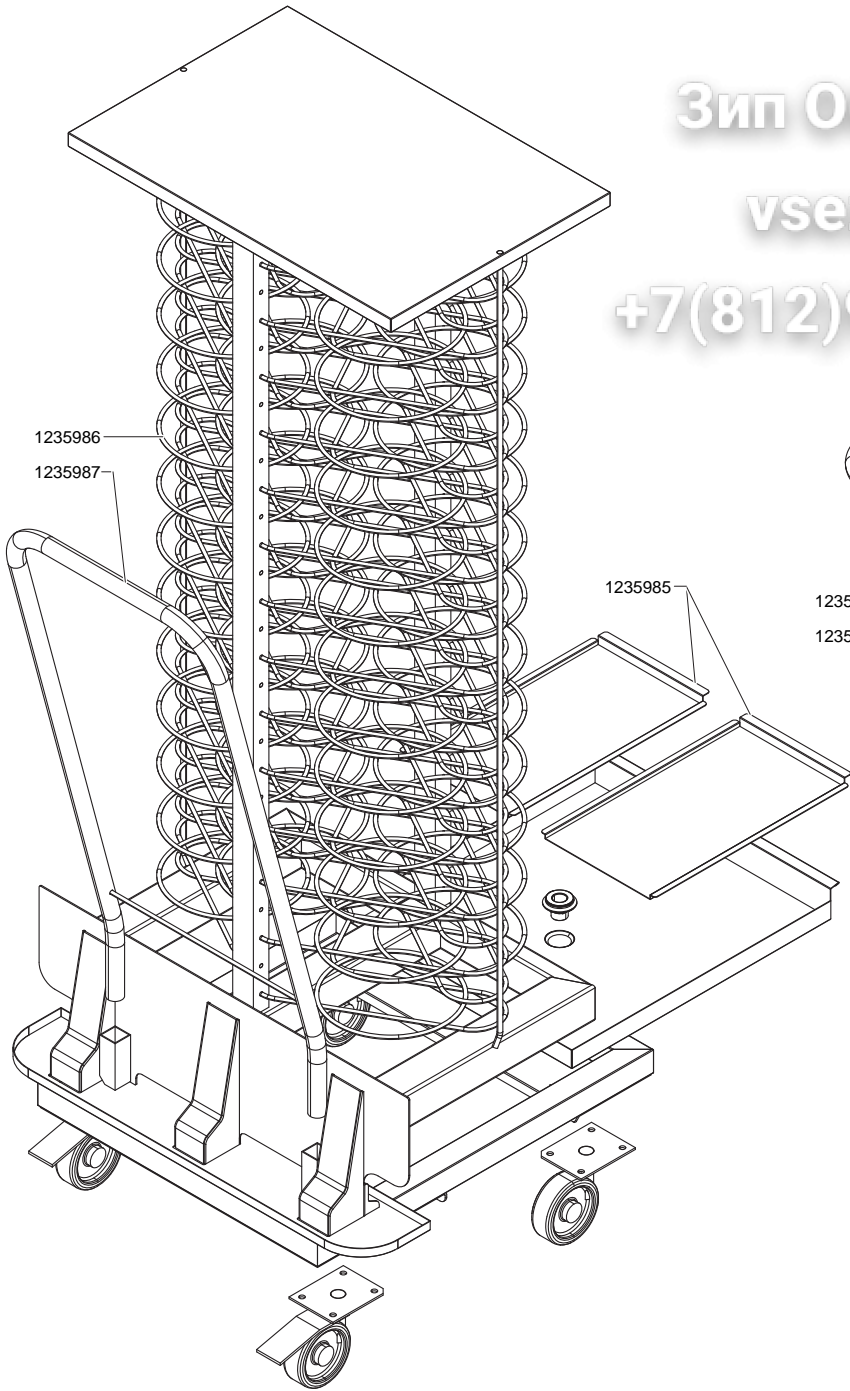
= EMPFOHLENE ERSATZTEILE

Вип Общепит  
vsezip.ru  
+7(812)987-08-81

Зип Общепит

vsezip.ru

+7(812)987-08-81



**HOBART 201 TAB.5**



COD.	IT	FR	GB	DE
1235977	GUIDA INF. SX BASAMENTO F.20GN2/1 TROLLEY	INFÉRIEUR GAUCHE GUIDE	LOWER LEFT GUIDE	UNTEN LINKS GUIDE
1235978	GUIDA INF. DX BASAMENTO F.20GN2/1 TROLLEY	INFÉRIEUR DROIT GUIDE	LOWER RIGHT GUIDE	UNTEN RECHTS GUIDE
1235979	PILETTA 1,5"	PIVOT	PIN	ZAPFEN
1235980	VASCHETTA CARRELLO F.GN201/1	CUVE	BOWL	BECKEN
1235981	RUOTA NORMALE	ROUE NORMALE	NORMAL WHEEL	NORMAL WHEEL
1235982	RUOTA CON FRENO	ROUE AVEC FREIN	WHEEL WITH BRAKE	RADBREMSE
1235983	ASSIEME MANIGLIONE	MANCHE	HANDLE	HANDLE
1235984	AS. TROLLEY	TROLLEY	TROLLEY	TROLLEY
1235985	VASCHETTA SOTTO PIATTI	CUVE	BOWL	BECKEN
1235986	AS. TROLLEY 20 GN1/1 SALDATO	TROLLEY	TROLLEY	TROLLEY
1235987	AS. MANIGLIONE PORTA PIATTI	MANCHE	HANDLE	HANDLE