

| | | | | | | |
|---|----------|---------|----------|---------|------|--------------|
| "H900" FRY-TOP A GAS SU BASI NEUTRE CON PIASTRA CROMATA | | | | | RIF. | Da matricola |
| "H900" GAS FRY-TOP ON STAND WITH CHROMED PLATE | | | | | REF | from serial |
| | | | | | | Nº |
| | | | | | | 02 12 87 |
| a | b | c | d | e | | |
| 292 250 | 292 435 | 2KT71 B | 292 258 | 770 525 | | |
| HRS/G802 | HRA/G802 | | HRS/G812 | | | |

Zanussi Grandi Impianti S.p.A.
Via Cesare Battisti, 12-31015 Conegliano (TV)
Italy

© RIPRODUZIONE, ANCHE PARZIALE, VIETATA
Revised 02 - 90

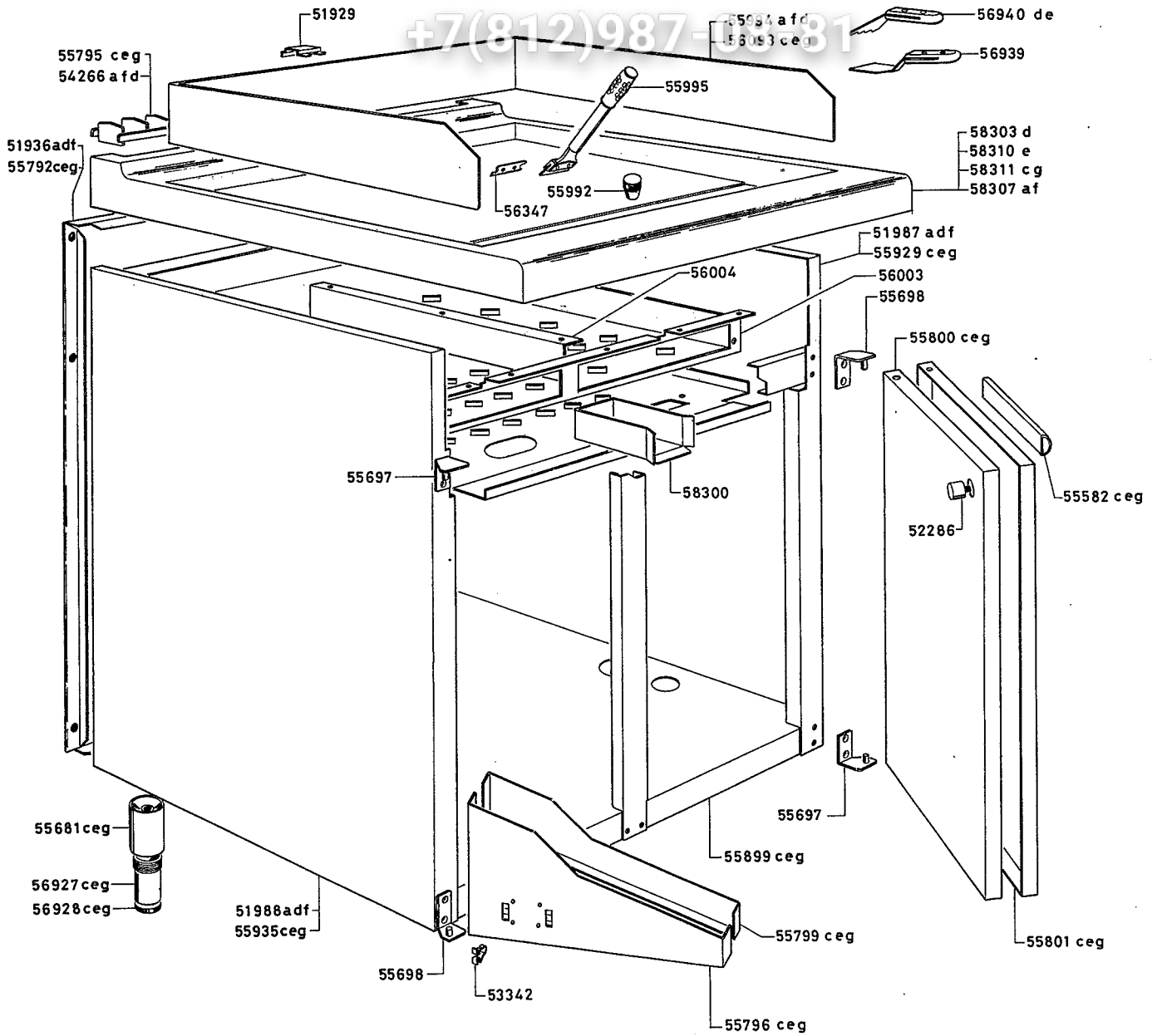
| | |
|----|-------|
| 03 | 73-09 |
|----|-------|

TCR 1943 03.73-09/03.73-10

Зип Ощепит

vsezip.ru

+7(812)987-0831



| | | | | | | | | |
|---|----------|---------|---------|---------|---------|--|----------|----------------|
| "H900" FRY-TOP A GAS SU BASI NEUTRE CON PIASTRA CROMATA | | | | | | | RIF. | Da matricola |
| "H900" GAS FRY-TOP ON STAND WITH CHROMED PLATE | | | | | | | REF | from serial N° |
| a | c | d | e | f | g | | 01 02 91 | |
| 292 250 | 2KT 71 B | 292 258 | 770 525 | 292 252 | 770 548 | | | |
| 292 484 | 770 544 | 292 259 | 770 529 | | 774 102 | | | |
| | | | 770 546 | | | | | |

Zanussi Grandi Impianti S.p.A.
Via Cesare Battisti, 12 - 31015 Conegliano (TV)
Italy

© RIPRODUZIONE, ANCHE PARZIALE, VIETATA

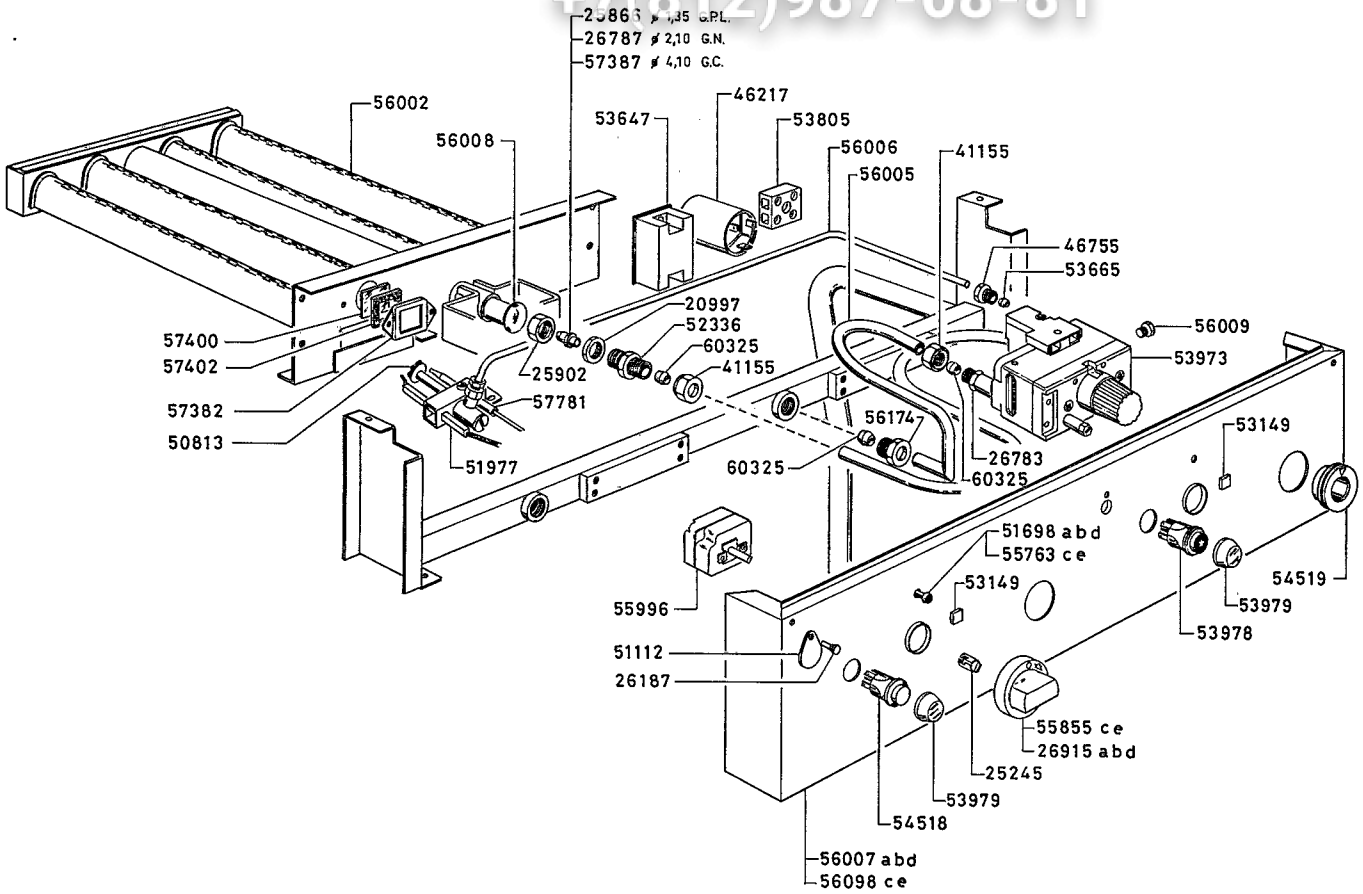
03 73-09 a

Revised 03-91

Зип Общепит

vsezip.ru

+7(812)987-08-81



"H900" FRY-TOP A GAS SU BASI NEUTRE CON PIASTA CROMATA
 "H900" GAS FRY-TOP ON STAND WITH CHROMED PLATE

RIF. Da matricola,
 REF. from serial
 №

02 12 87

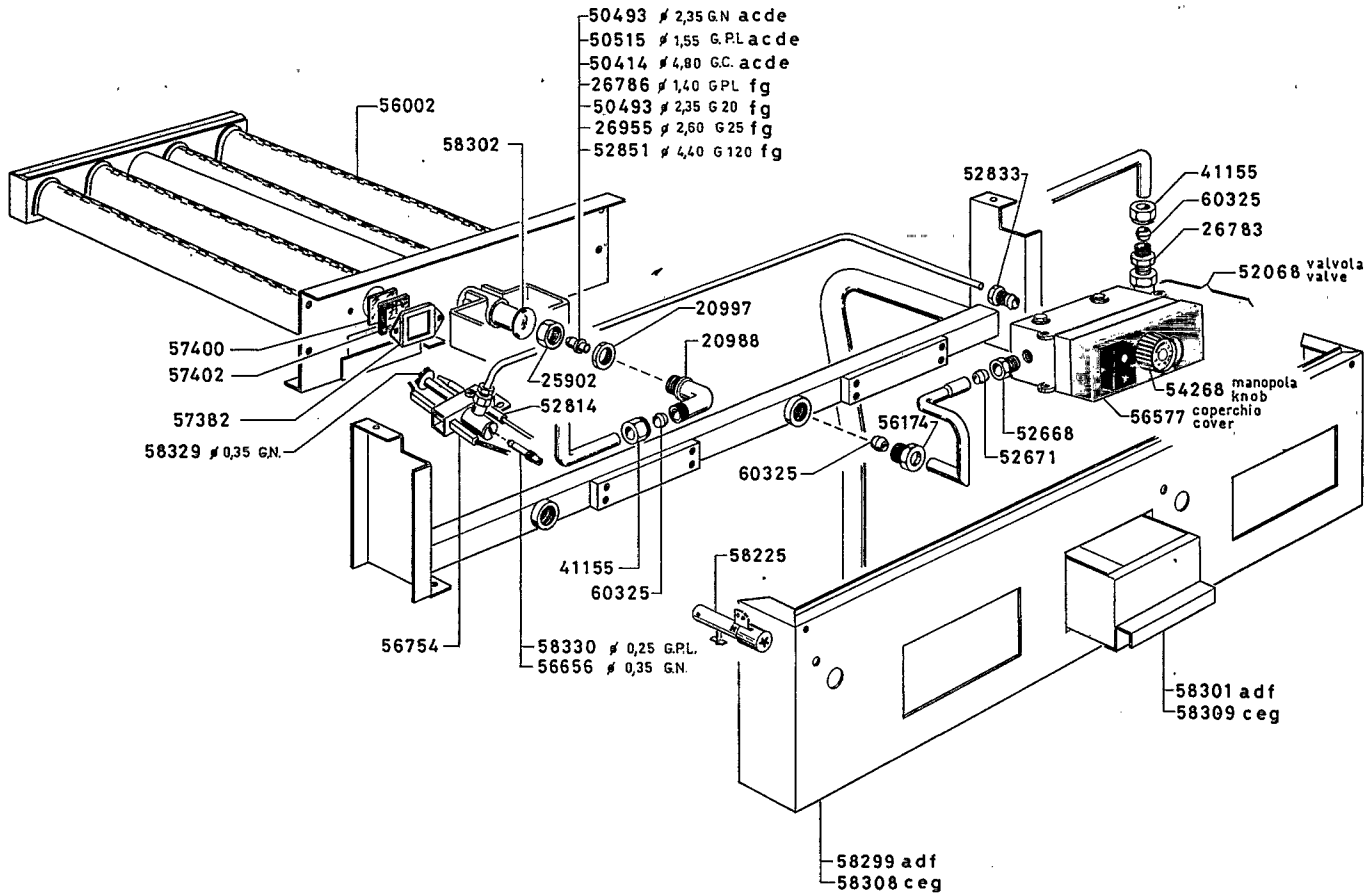
| a | b | c | d | e |
|----------------------|----------------------|----------|----------------------|---------|
| 292 250 HRS/G 802 | 292 435 HRA/G 802 | 2KT 71 B | 292 258 HRS/G 812 | 770 525 |

03 73-10

Зип Общепит

vsezip.ru

+7(812)987-08-81



| | | | | | | | | |
|--|--|----------|---------|---------|---------|---------|------|----------------|
| "H900" FRY-TOP A GAS SU BASI NEUTRE CON PIASTA CROMATA | | | | | | | RIF. | Da matricola |
| "H900" GAS FRY-TOP ON STAND WITH CHROMED PLATE | | | | | | | REF. | from serial N° |
| | | | | | | | | 01 02 91 |
| a | | c | d | e | f | g | | |
| 292 250 | | 2KT 71 B | 292 258 | 770 525 | 292 252 | 770 548 | | |
| 292 484 | | 770 544 | 292 259 | 770 529 | | 774 102 | | |
| | | | | 770 546 | | | | |
| | | | | | | | 03 | 73-10 a |