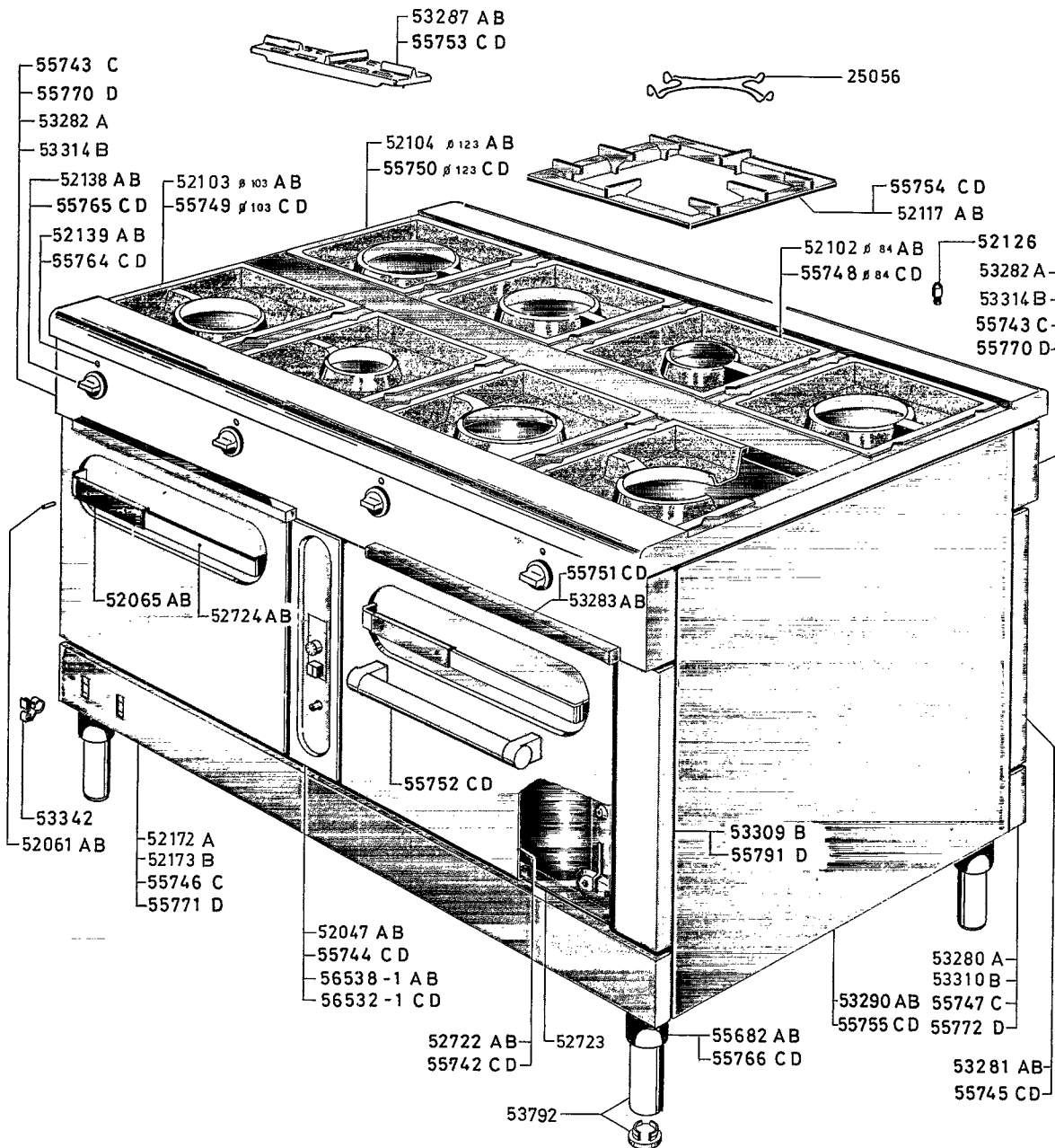


Зип Общепит

vsezip.ru

+7(812)987-08-81



"P 1000" CUCINA A GAS CENTRALE								RIF Da matr.	
"P 1000" CENTRAL GAS-COOKER								REF from serial	
A				B				№	
c	d	e	f	g	h	i	l	05 11 82	
272040 PCG 810	272060 PCG 810 D	272043 PCG 810 F	272064 PCG 800 NL	272042 PCG 1610	272062 PCG 1610 D	272045 PCG 1610 F	272066 PCG 1600 NL	1 15 11 88	
C				D					
m				r					
2 CC 02 B				2 CC 06 B					

TCR 1665 03 61-33/34

OS OMNIA SERVICE srl
Via Cesare Battisti, 12 - 31015 Conegliano (TV) - Italy

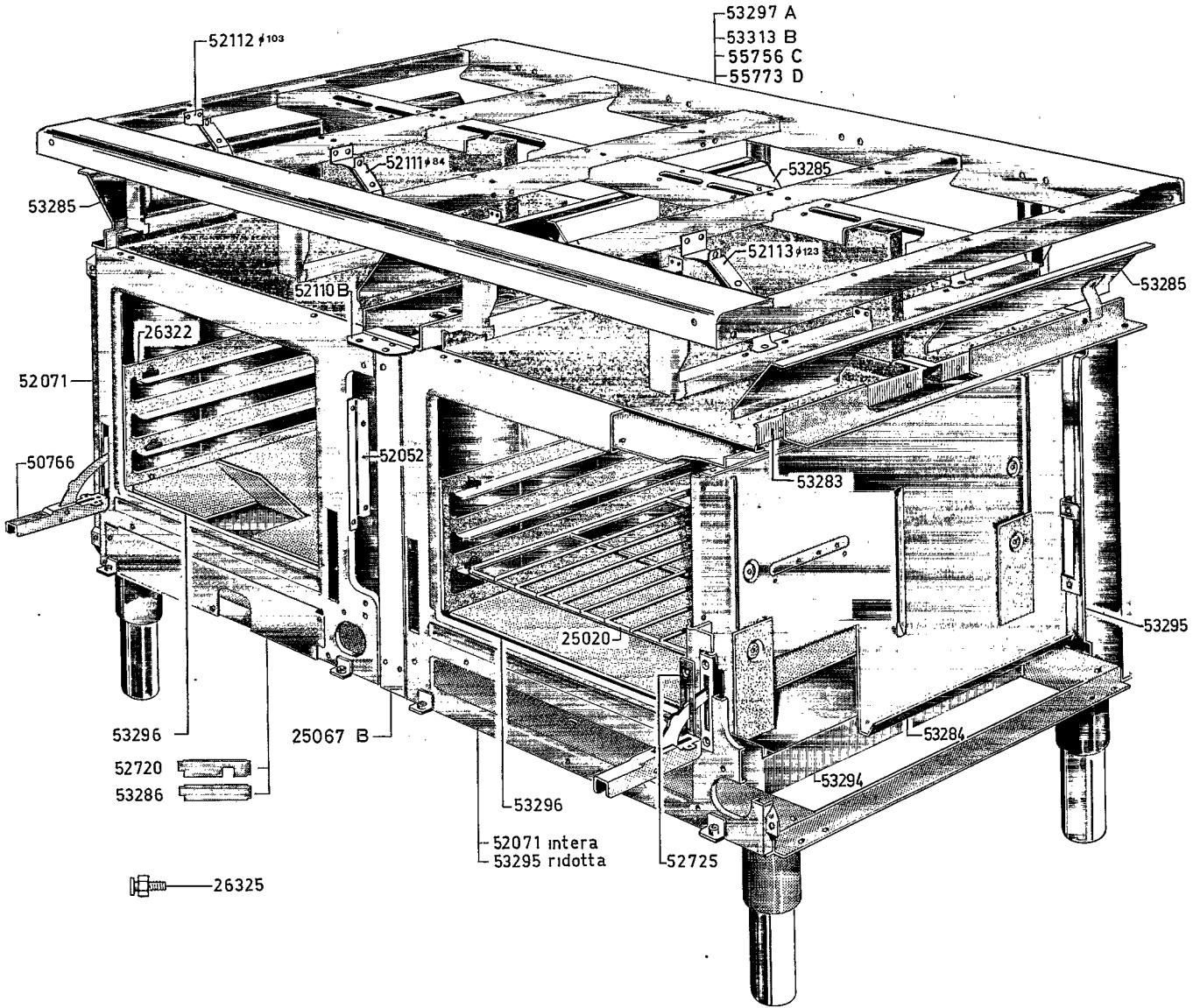
© RIPRODUZIONE, ANCHE PARZIALE, VIETATA
Revised 04/92

03 61-33

Зип Ощепит

vsezip.ru

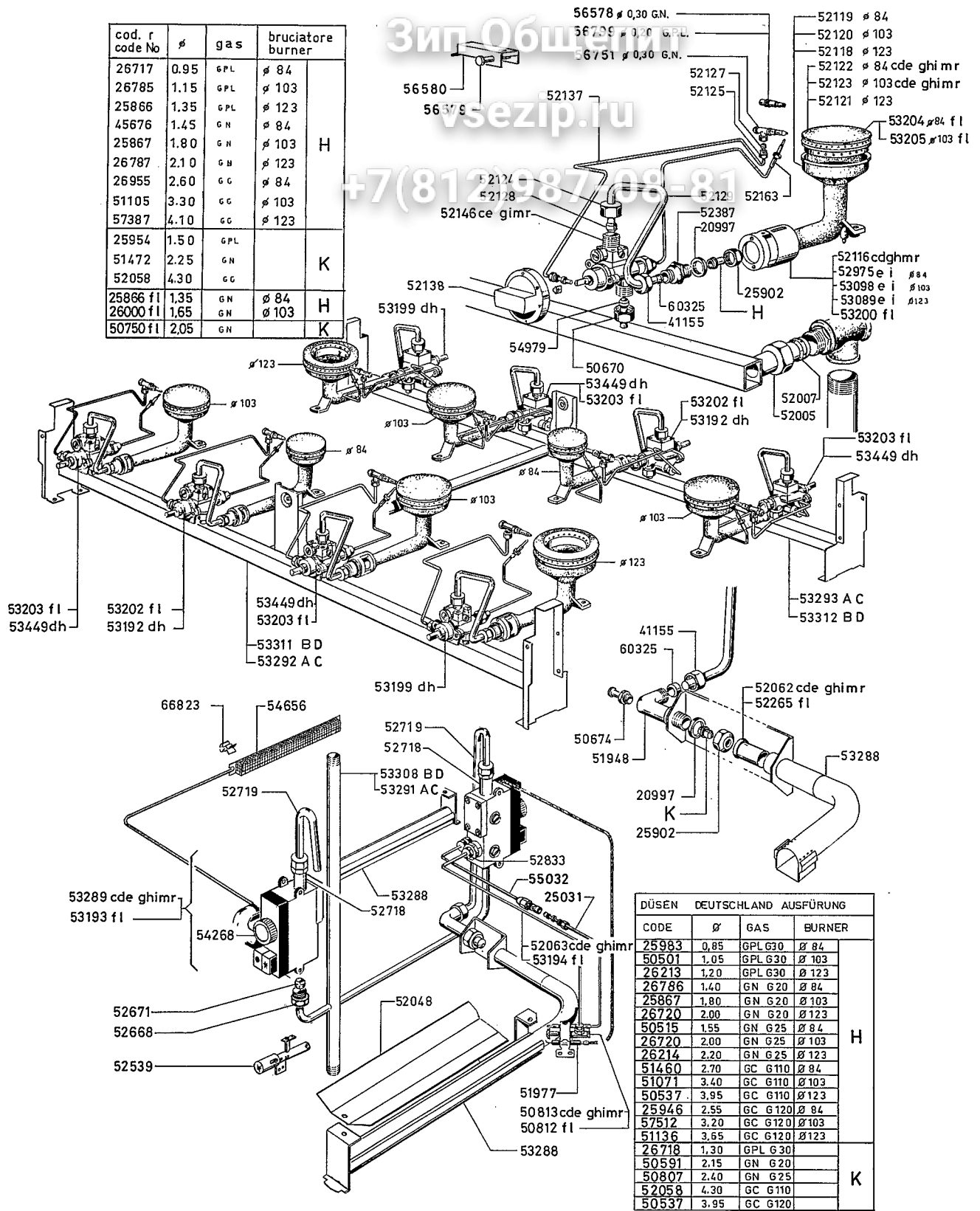
+7(812)987-08-81



"P 1000" CUCINA A GAS CENTRALE							RIF.	Da matr.
"P 1000" CENTRAL GAS-COOKER							REF.	from serial
A				B				No
c	d	e	f	g	h	i	l	
272040 PCG 810	272060 PCG 810 D	272043 PCG 810 F	272064 PCG 800 NL	272042 PCG 1610	272062 PCG 1610 D	272045 PCG 1610 F	272066 PCG 1600NL	
C				D				
2CC 02 B				2CC 06 B				

03 61-34

cod. r code No	Ø	gas	bruciatore burner
26717	0.95	GPL	Ø 84
26785	1.15	GPL	Ø 103
25866	1.35	GPL	Ø 123
45676	1.45	GN	Ø 84
25867	1.80	GN	Ø 103
26787	2.10	GN	Ø 123
26955	2.60	GG	Ø 84
51105	3.30	GG	Ø 103
57387	4.10	GG	Ø 123
25954	1.50	GPL	
51472	2.25	GN	
52058	4.30	GG	
25866 fl	1.35	GN	Ø 84
26000 fl	1.65	GN	Ø 103
50750 fl	2.05	GN	



CODE	Ø	GAS	BURNER
25983	0.85	GPL G30	Ø 84
50501	1.05	GPL G30	Ø 103
26213	1.20	GPL G30	Ø 123
26786	1.40	GN G20	Ø 84
25867	1.80	GN G20	Ø 103
26720	2.00	GN G20	Ø 123
50515	1.55	GN G25	Ø 84
26720	2.00	GN G25	Ø 103
26214	2.20	GN G25	Ø 123
51460	2.70	GC G110	Ø 84
51071	3.40	GC G110	Ø 103
50537	3.95	GC G110	Ø 123
25946	2.55	GC G120	Ø 84
57512	3.20	GC G120	Ø 103
51136	3.65	GC G120	Ø 123
26718	1.30	GPL G30	
50591	2.15	GN G20	
50807	2.40	GN G25	
52058	4.30	GC G110	
50537	3.95	GC G120	

"P 1000" CUCINA A GAS CENTRALE								RIF/ Da matr.
"P 1000" CENTRAL GAS-COOKER								REF/ from-serial
A				B				№ 05 11 82
c	d	e	f	g	h	i	l	
272040 PCG 810	272060 PCG 810 D	272043 PCG 810 F	272064 PCG 800NL	272042 PCG 1610	272062 PCG 1610 D	272045 PCG 1610 F	272066 PCG1600NL	
C				D				
m				r				
2CC02B				2CC06B				

TCR 1666 03 61-35