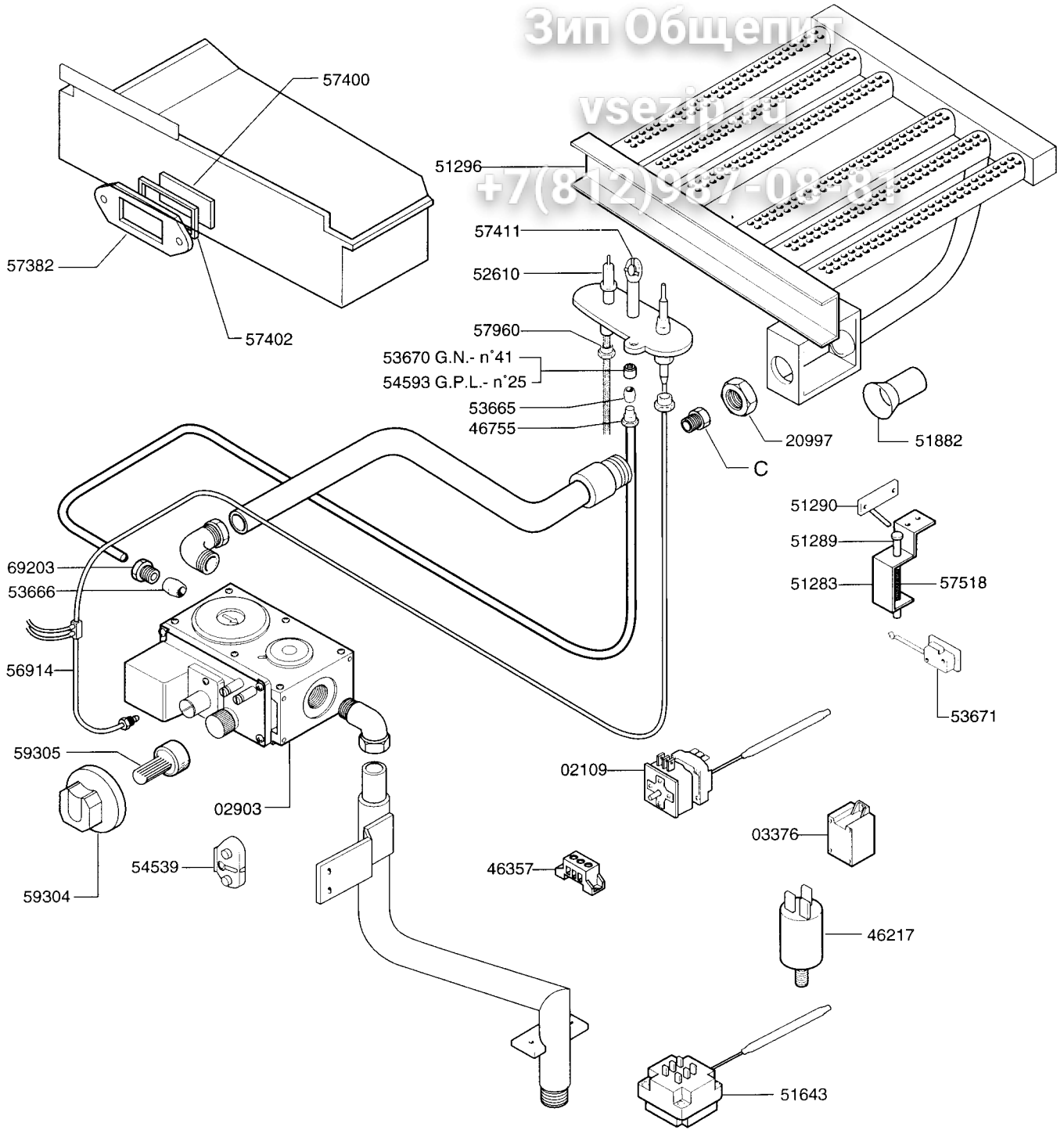


| | | | | | | | | | |
|--|----------------------|---|---|---|---|---|---|--------------|-----------------------------------|
| " 900 " GAS TILTING BRATT PAN BRASIERA MONOBLOCCO GAS | | | | | | | Z | REF. RIF. | From serial Nr Da matricola |
| | | | | | | | | | 327... |
| a | b | c | d | e | f | g | h | | |
| 201 534 HBR/G 820 | 201 535 HBR/G 825 | | | | | | | | |



| C | |
|-------|---------------------------|
| 02916 | Ø3,25 G.N. cat. " H-E-L " |
| 02917 | Ø3,55 G.N. cat. " L-L " |
| 59418 | Ø2,15 G.P.L. 30-37 mbar |
| 58375 | Ø1,90 G.P.L. 50 mbar |

| | | | | | | | | | |
|--|-----------|---|---|---|---|---|---|--------|--------------|
| " 900 " GAS TILTING BRATT PAN BRASIERA MONOBLOCCO GAS | | | | | | | | REF. | From serial |
| | | | | | | | | RIF. | Nr |
| | | | | | | | | | Da matricola |
| a | b | c | d | e | f | g | h | 327... | |
| 201 534 | 201 535 | | | | | | | | |
| HBR/G 820 | HBR/G 825 | | | | | | | | |