

TCR 1115 03.76-13a/03.76-14a

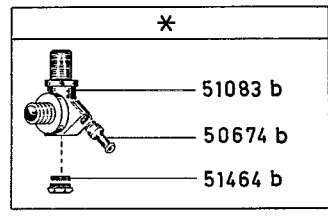
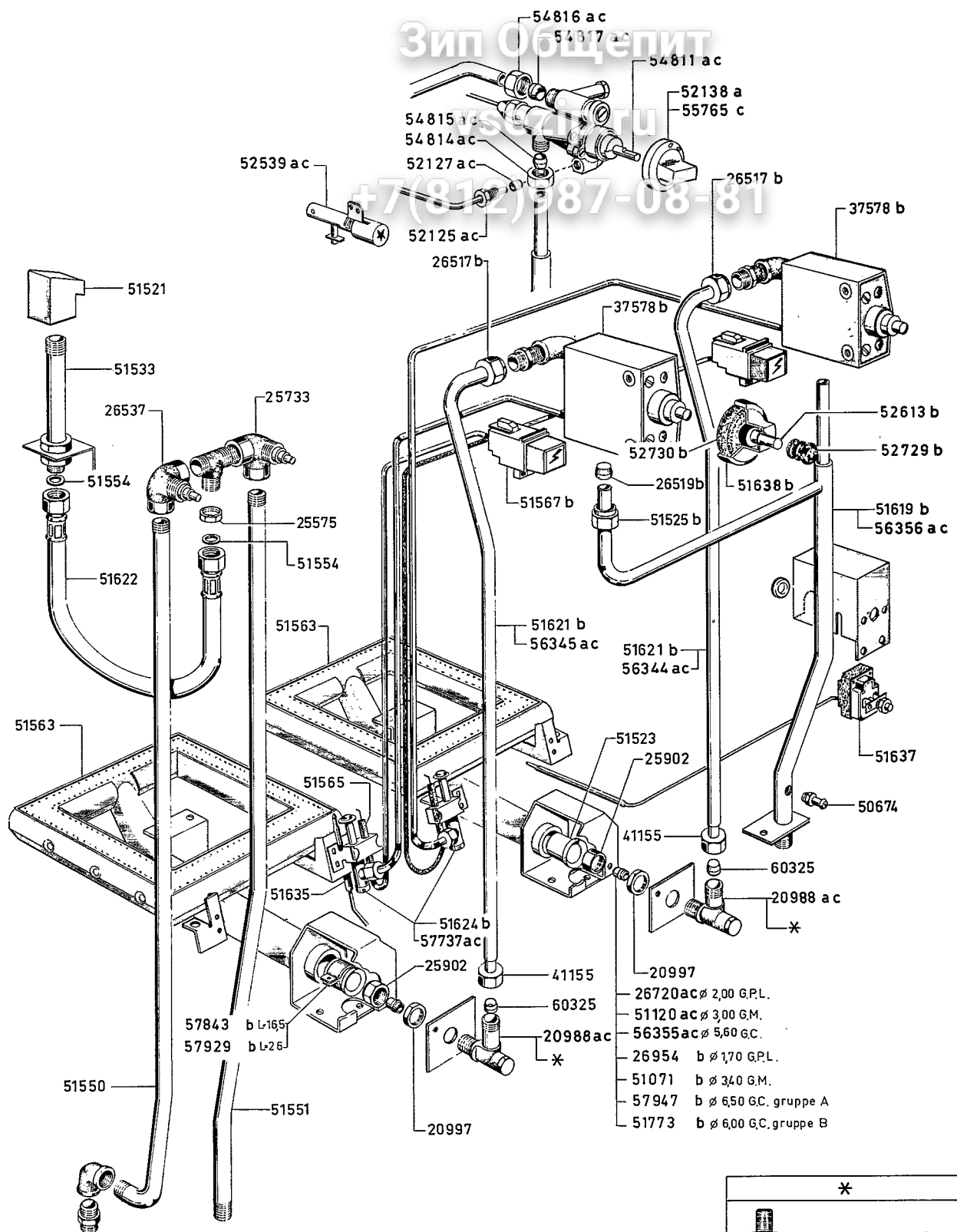
| | | | | |
|--|---------------------------|-----------|-------------|-----------------------------------|
| PENTOLE PARALLELEPIPEDE A GAS INDIRECTE GAS HEATED SQUARE JACKETED BOILING PANS | | | 150 L. H900 | da matricola from serial N. |
| a | b | c | | 11 04 88 |
| 294008 H.Q.N/GI 917 | 294 010 H.Q.N/GI 917 D | 2 KQ 01 B | | |

Zanussi Grandi Impianti S.p.A.
Via Cesare Battisti, 12 - 31015 Conegliano (TV)
Italy

© RIPRODUZIONE, ANCHE PARZIALE, VIETATA
Issued 10 - 88

03 76-13 a

Зип ОБЩЕПИТ



| | | | | | |
|---|-----------------|-----------|--------|----------|----------------------------------|
| PENTOLE PARALLELEPIEDE A GAS INDIRECTE GAS HEATED SQUIRE JACKETED BOILING PANS | | | 150 L. | " H900,, | da matricola from serial N |
| a | b | c | | | 11 04 88 |
| 294 008 | 294 010 | 2 KQ 01 B | | | |
| H.Q.N / G1 917 | H.Q.N / G1917 D | | | | |

03 76-14 a