



ELECTROLUXPROFESSIONAL

**ModularPlatform**

Viale Treviso, 15  
33170 Pordenone - Italy  
Fax: +390434-380577

SPARE PARTS CATALOGUE  
CATALOGO PARTI DI RICAMBIO

**GRIGLIA GAS ED ELETTRICA N900  
GAS AND ELECTRIC GRILL N900**

<b>PNC</b>	<b>Model</b>	<b>Ref.</b>	<b>Page</b>	<b>Notes</b>
200 241	KGR/G1	a	1 - 6	Gas grill 400
200 242	KGR/G2	b	1 - 6	Gas grill 800
200 249	KGR/T1	c	1 - 6	Gas grill Town Gas 400
200 250	KGR/T2	d	1 - 6	Gas grill Town Gas 800
200 243	KGR/E1	e	1 - 6	Electric grill 400
200 244	KGR/E2	f	1 - 6	Electric grill 800

Pag. 1 - 2 - 3  
Pag. 4 - 5 - 6

**Index**  
Frame and components  
Spare parts list

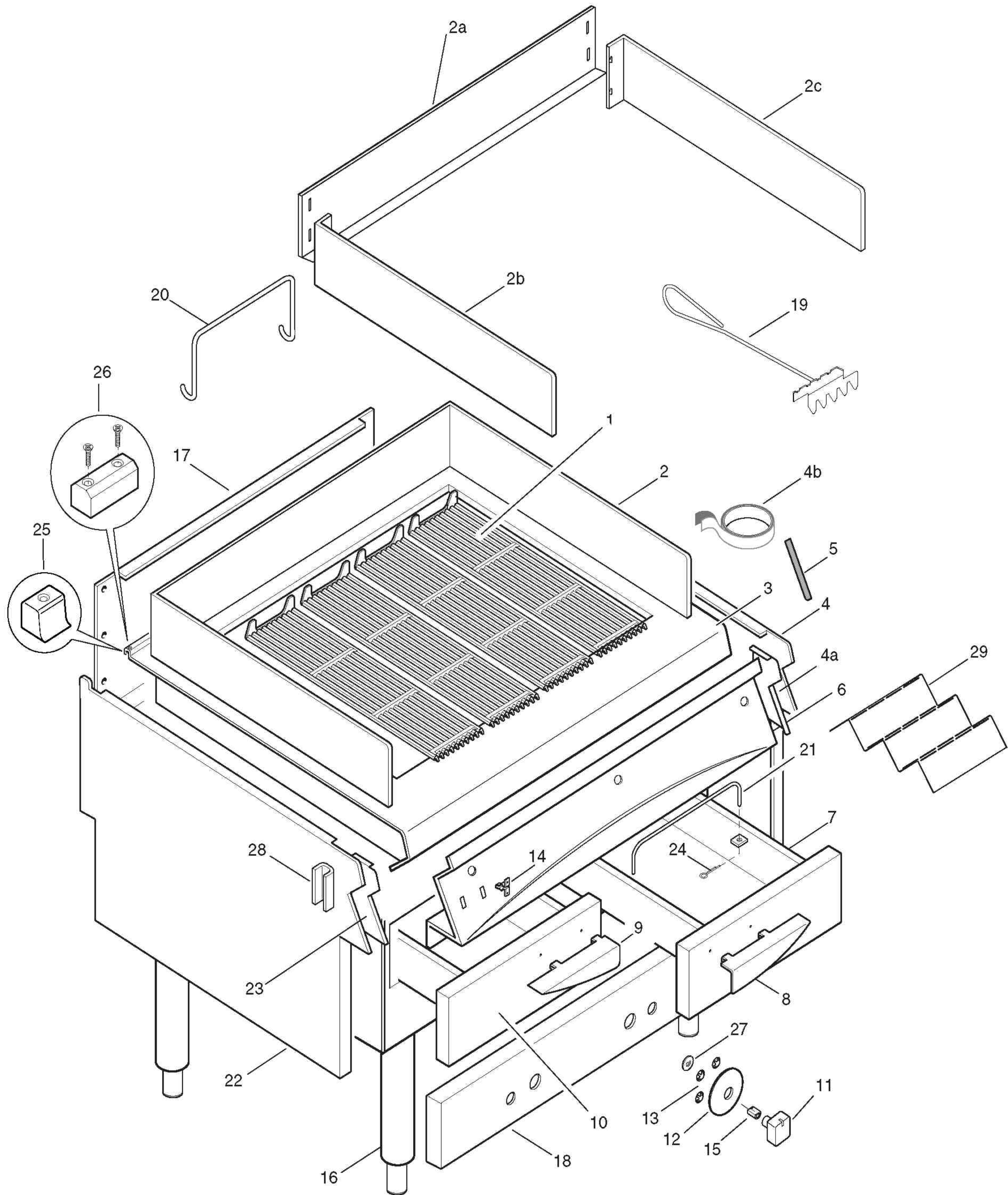
**Indice**  
Struttura e componenti  
Lista ricambi

**Brand / Marchio :** Zanussi  
**Factory code:** 9PDX

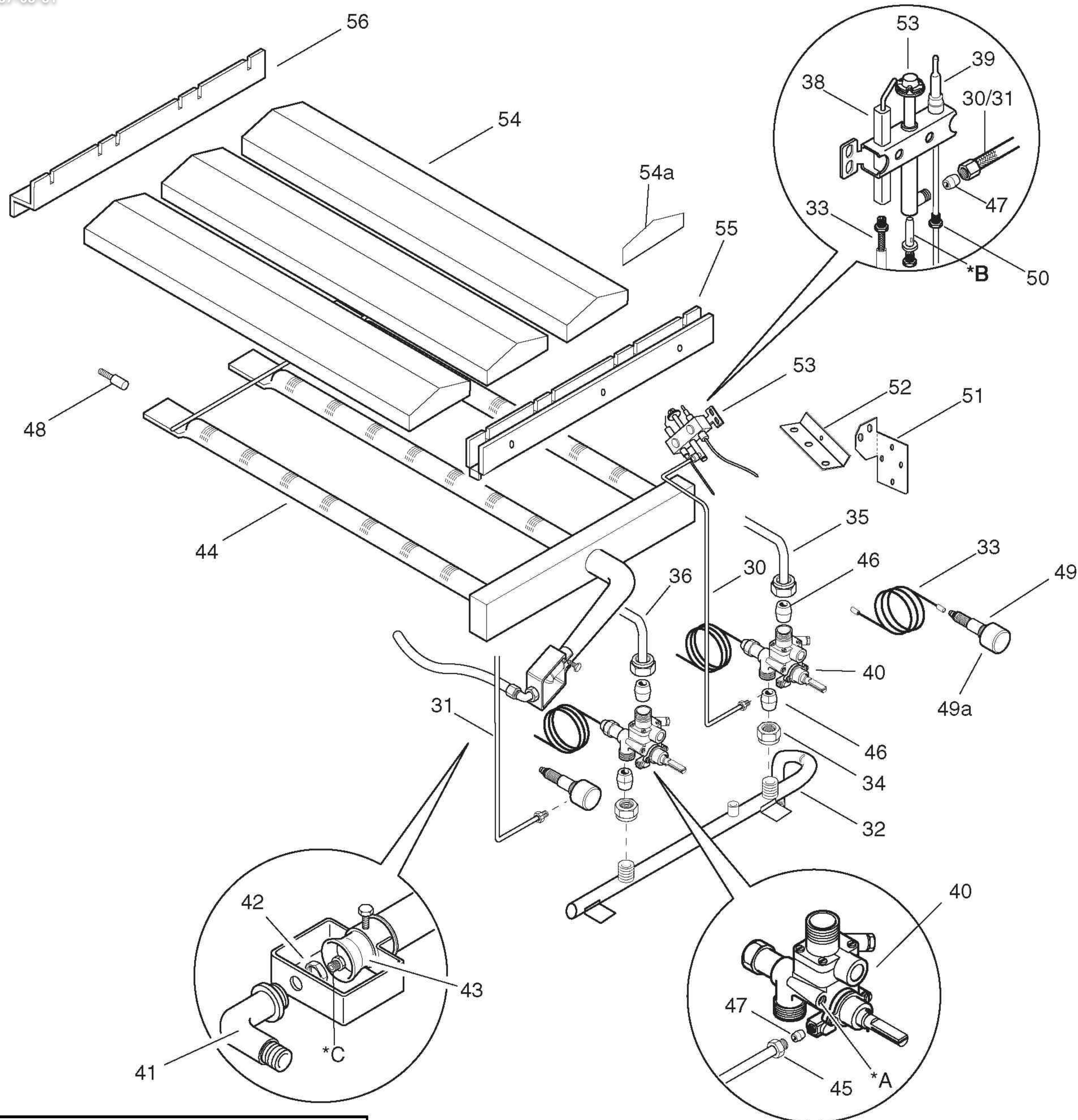
From ser. nr. / Da Ser. Nr.:.....

Ed. 2006 11

Doc. Nr.: **2 - 25 2 00**



**GRIGLIA GAS ED ELETTRICA N900**  
**GAS AND ELECTRIC GRILL N900**



**B - Ugello pilota / Pilot nozzle**

6DGT Code	Ref./ Notes
056656	n°35 2H/2E+ G20 20mbar
056656	n°35 2ELL G25 20mbar
056656	n°35 2L G25 25mbar
058330	n°25 3+3B/P G30/31 28-30/37mbar
058330	n°25 3B/P G30/31 50mbar
056656	n°35 No CE G20 10mbar
056798	n°70 G110
056798	n°70 G120

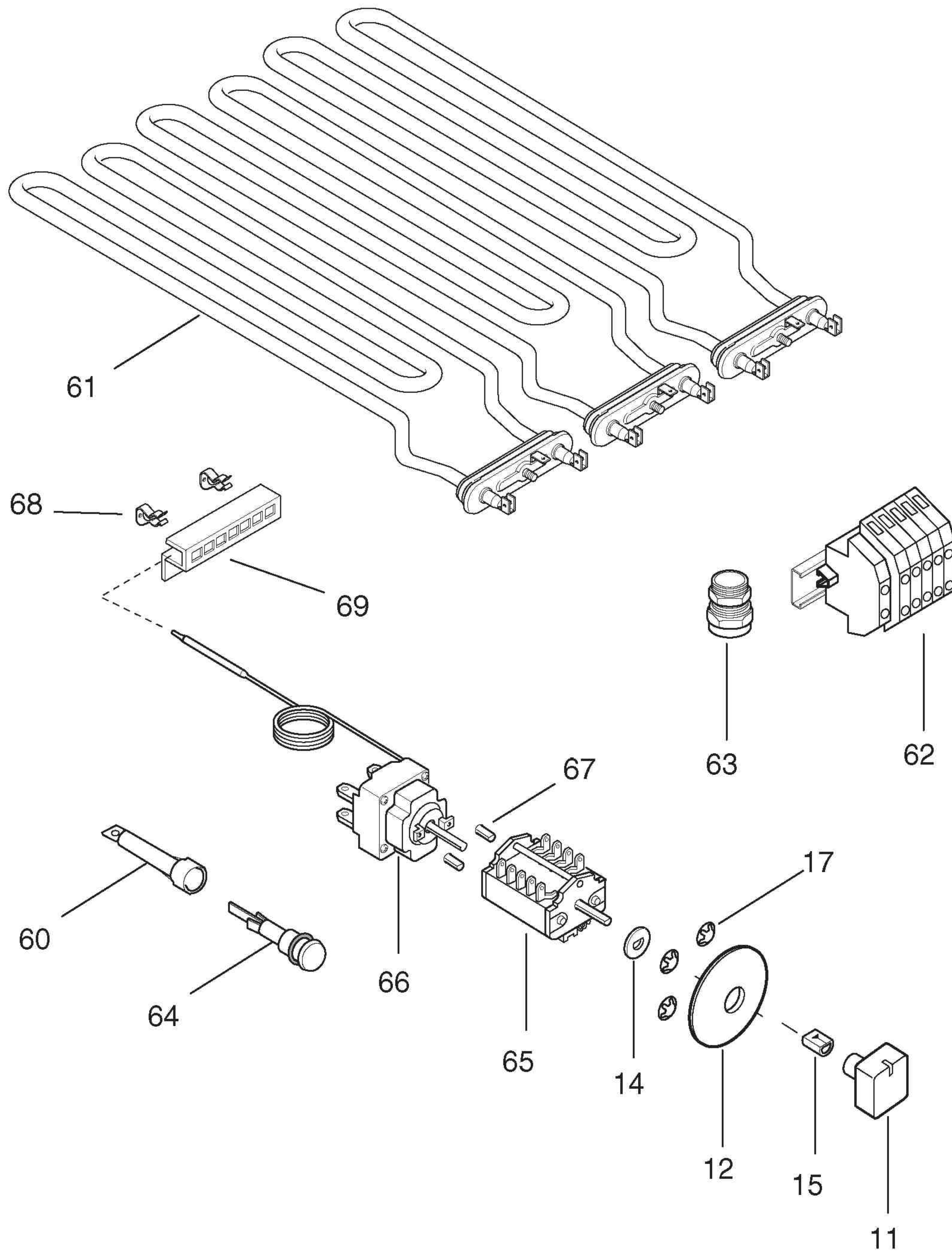
**A - Vite di minimo / Min screw**

6DGT Code	Ref./ Notes
002993	n°180 2H/2E+ G20 20mbar
002993	n°180 2ELL G25 20mbar
002993	n°180 2L G25 25mbar
056742	n°110 3+3B/P G30/31 28-30/37mbar
002392	n°95 3B/P G30/31 50mbar
002494	n°220 No CE G20 10mbar
-	adjust G110
-	adjust G120

**C - Ugello bruciatore / Burner nozzle**

6DGT Code	Ref. / Notes
059382	ø2.50 2H/2E+ G20 20mbar
0A2868	ø2.75 2ELL G25 20mbar
0A2570	ø2.60 2L G25 25mbar
0A2141	ø1.65 3+3B/P G30/31 28-30/37mbar
0A2091	ø1.45 3B/P G30/31 50mbar
059358	ø2,85 No CE G20 10mbar
0C0449	ø5.40 G110
003951	ø4.70 G120

GRIGLIA GAS N900  
GAS GRILL N900



GRIGLIA ELETTRICA N900  
ELECTRIC GRILL N900



ELECTROLUXPROFESSIONAL

**ModularPlatform**

Viale Treviso, 15  
33170 Pordenone - Italy  
Fax: +390434-380577

SPARE PARTS CATALOGUE  
CATALOGO PARTI DI RICAMBIO

**GRIGLIA GAS ED ELETTRICA N900  
GAS AND ELECTRIC GRILL N900**

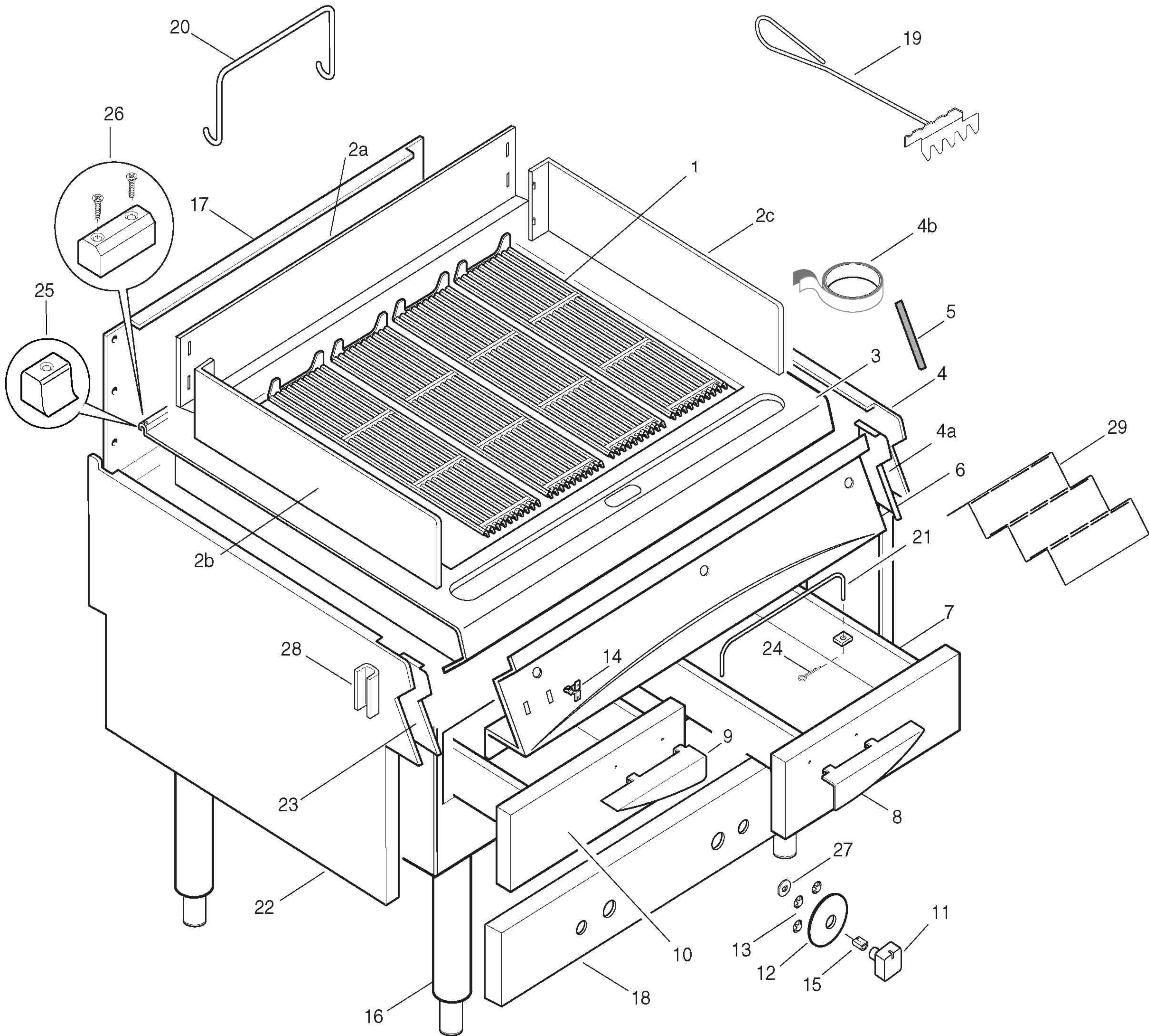
<b>PNC</b>	<b>Model</b>	<b>Ref.</b>	<b>Page</b>	<b>Notes</b>
200 241	KGR/G1	a	1 - 6	Gas grill 400
200 242	KGR/G2	b	1 - 6	Gas grill 800
200 249	KGR/T1	c	1 - 6	Gas grill Town Gas 400
200 250	KGR/T2	d	1 - 6	Gas grill Town Gas 800
200 243	KGR/E1	e	1 - 6	Electric grill 400
200 244	KGR/E2	f	1 - 6	Electric grill 800

Pag. 1 - 2 - 3  
Pag. 4 - 5 - 6

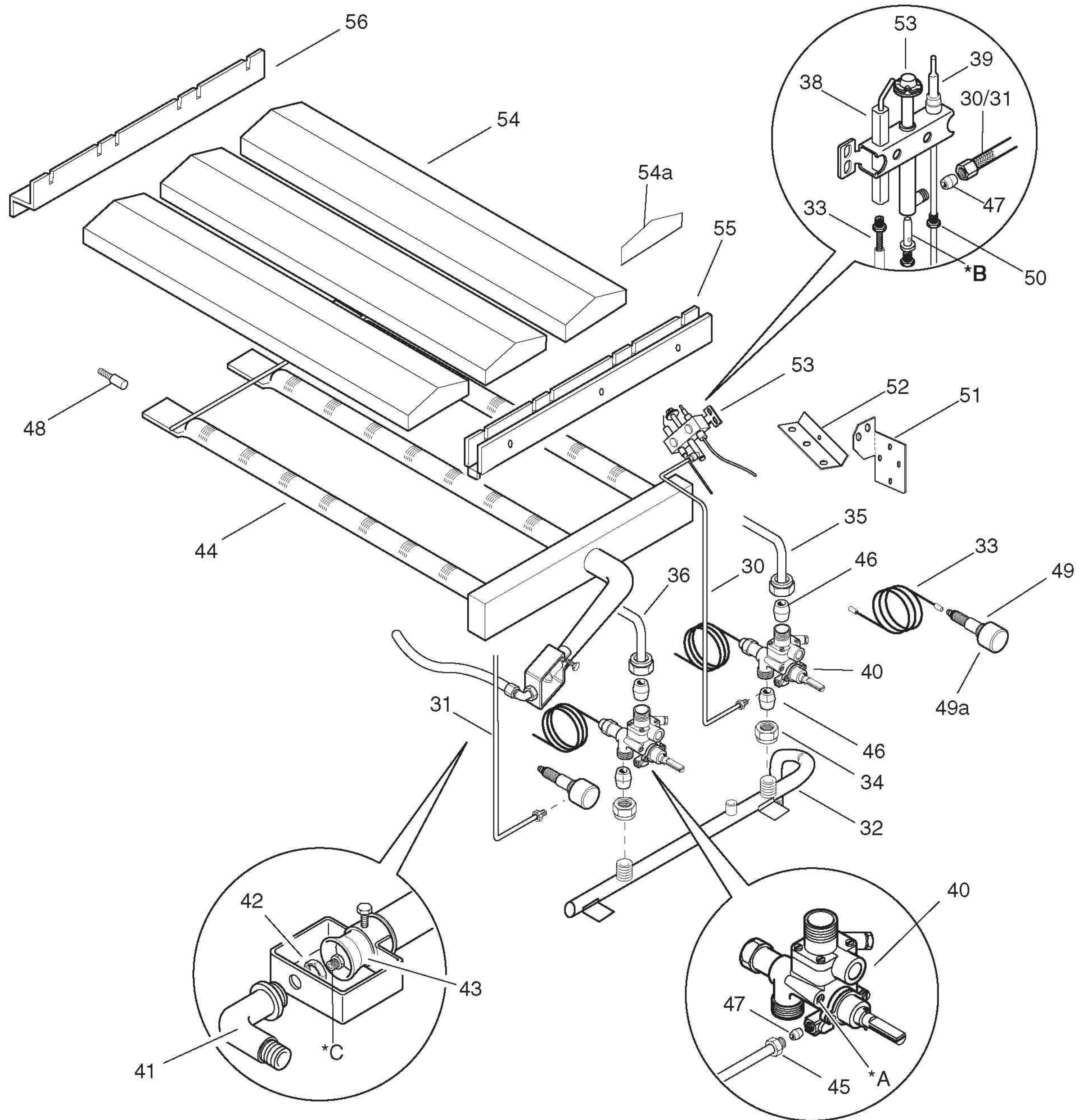
**Index**  
Frame and components  
Spare parts list

**Indice**  
Struttura e componenti  
Lista ricambi

**Brand / Marchio :** Zanussi  
**Factory code:** 9PDX

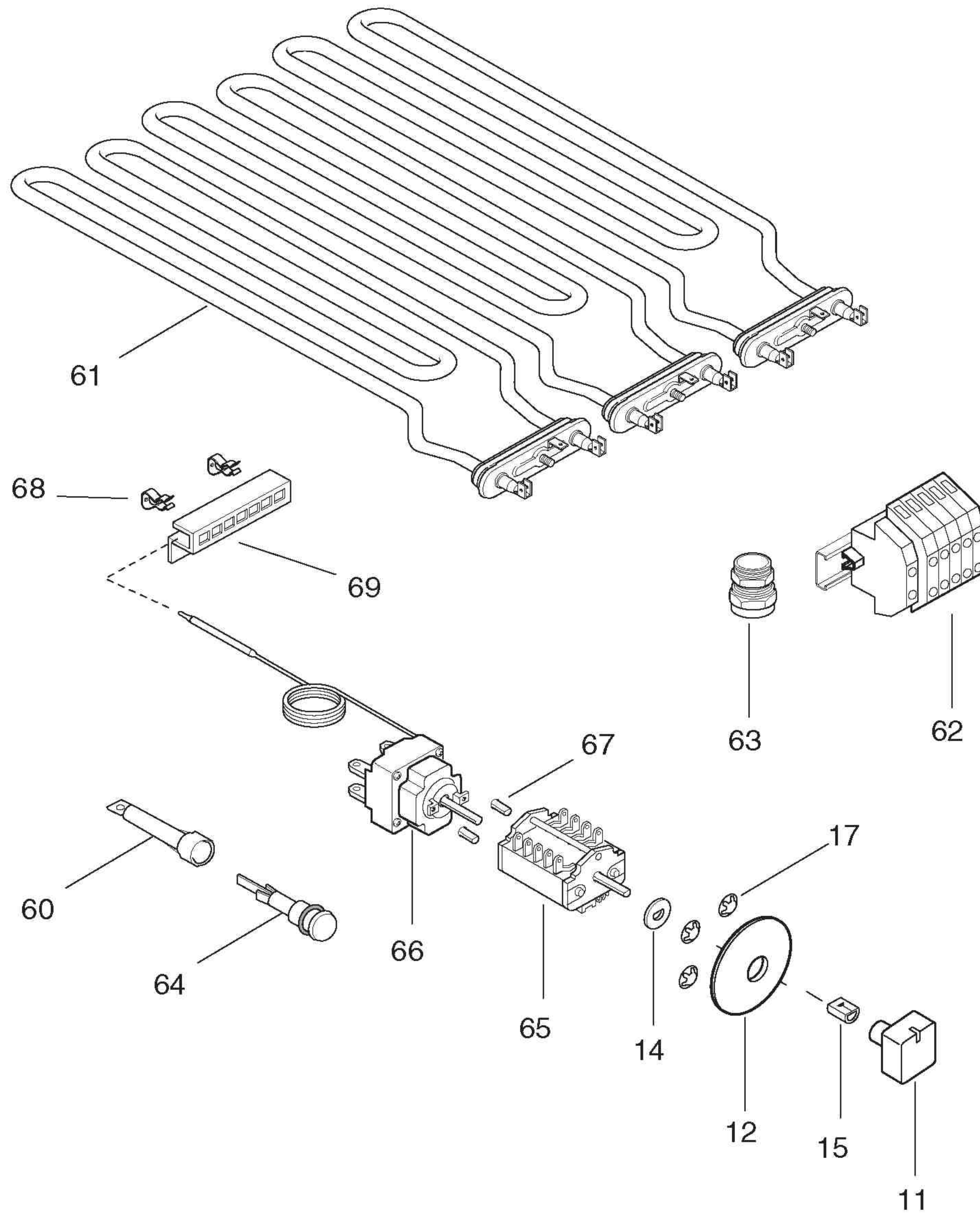


GRIGLIA GAS ED ELETTRICA N900  
GAS AND ELECTRIC GRILL N900



A - Vite di minimo / Min screw			B - Ugello pilota / Pilot nozzle			C - Ugello bruciatore / Burner nozzle		
6DGT Code	Ref./ Notes		6DGT Code	Ref./ Notes		6DGT Code	Ref. / Notes	
002993	n°180	2H/2E+ G20 20mbar	056656	n°35	2H/2E+ G20 20mbar	059382	ø2.50	2H/2E+ G20 20mbar
002993	n°180	2H G20 25mbar	056656	n°35	2H G20 25mbar	0A5356	ø2.35	2H G20 25mbar
002993	n°180	2ELL G25 20mbar	056656	n°35	2ELL G25 20mbar	0A2868	ø2.75	2ELL G25 20mbar
002993	n°180	2L G25 25mbar	056656	n°35	2L G25 25mbar	0A2570	ø2.60	2L G25 25mbar
002993	n°180	2S G25.1 25mbar	056656	n°35	2S G25.1 25mbar	0A2570	ø2.60	2S G25.1 25mbar
056742	n°110	3+3B/P G30/31 30mbar	058330	n°25	3+3B/P G30/31 30mbar	0A2141	ø1.65	3+3B/P G30/31 30mbar
056742	n°110	3B/P G30/31 36mbar	058330	n°25	3B/P G30/31 36mbar	0A2103	ø1.55	3B/P G30/31 36mbar
002392	n°95	3B/P G30/31 50mbar	058330	n°25	3B/P G30/31 50mbar	0A2091	ø1.45	3B/P G30/31 50mbar
002494	n°220	No CE G20 10mbar	056656	n°35	No CE G20 10mbar	059358	ø2,85	No CE G20 10mbar
-	adjust	G110	056798	n°70	G110	0C0449	ø5.40	G110
-	adjust	G120	056798	n°70	G120	003951	ø4.70	G120

GRIGLIA GAS N900  
GAS GRILL N900



GRIGLIA ELETTRICA N900  
ELECTRIC GRILL N900