

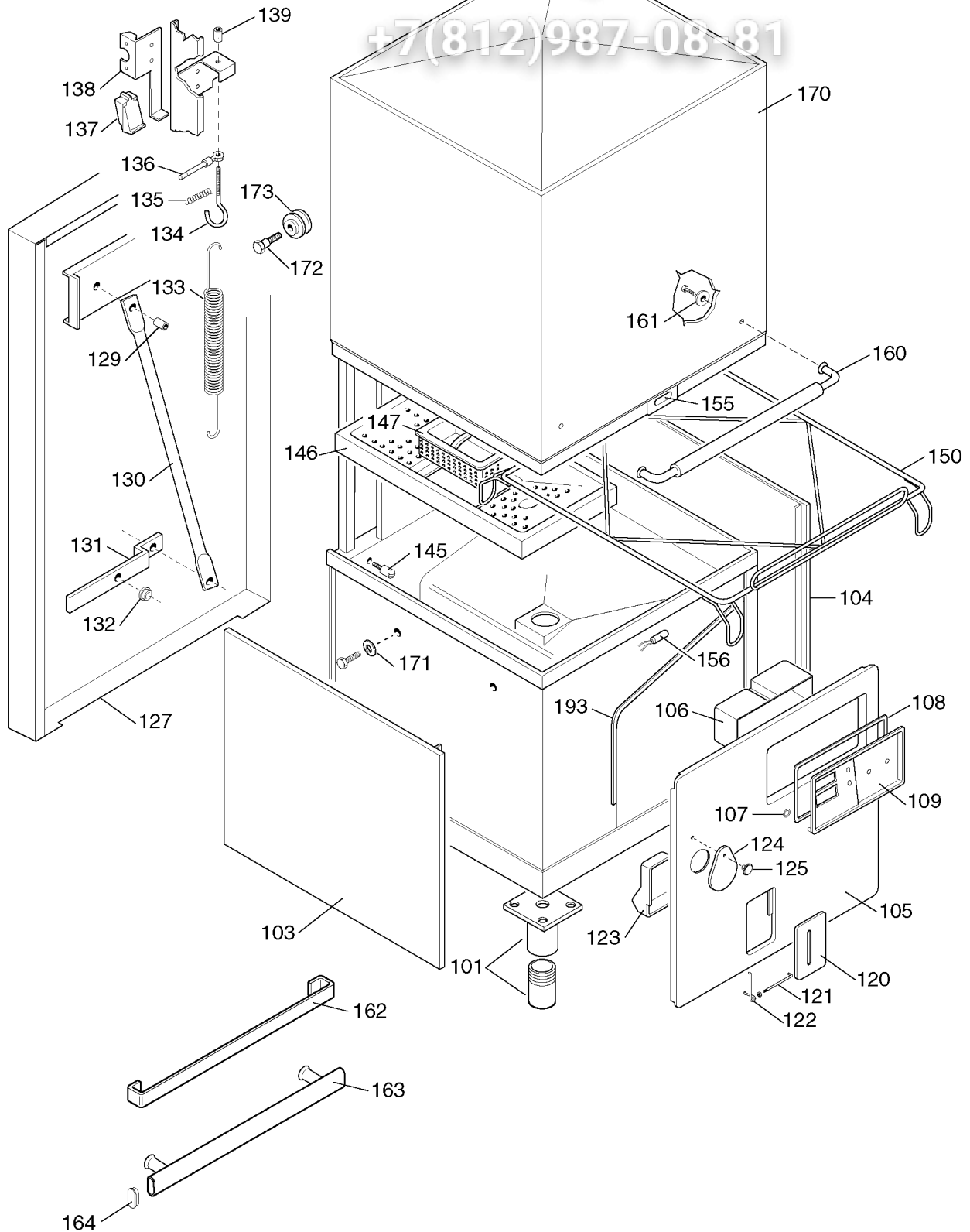
**LAVASTOVIGLIE A CAPOTTINA da 1000 / 1200 piatti/h**  
**HOOD TYPE DISHWASHER up to 1000 / 1200 dishes/h****LS 10 / LS 12**

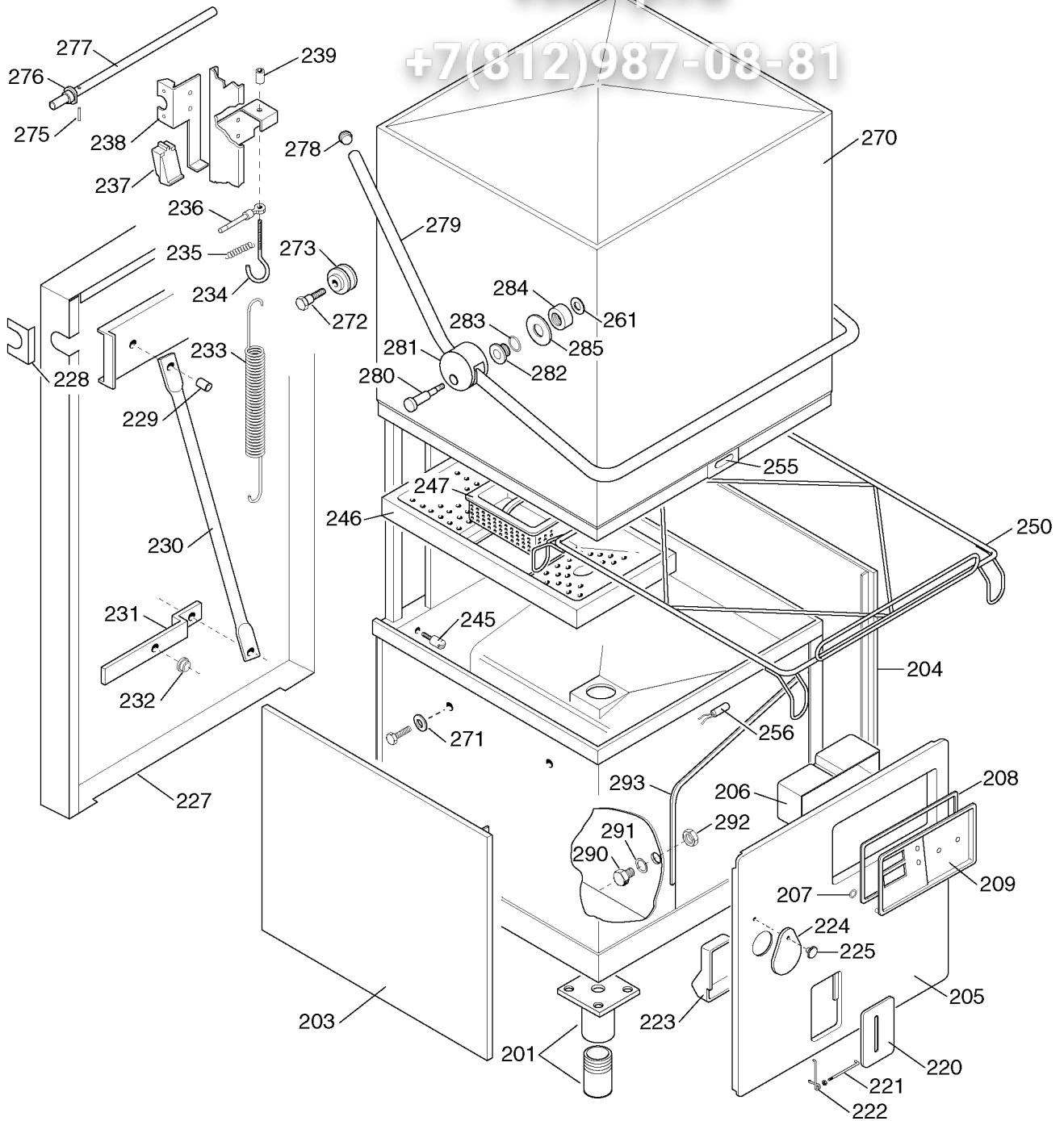
Capottina - Hood Type

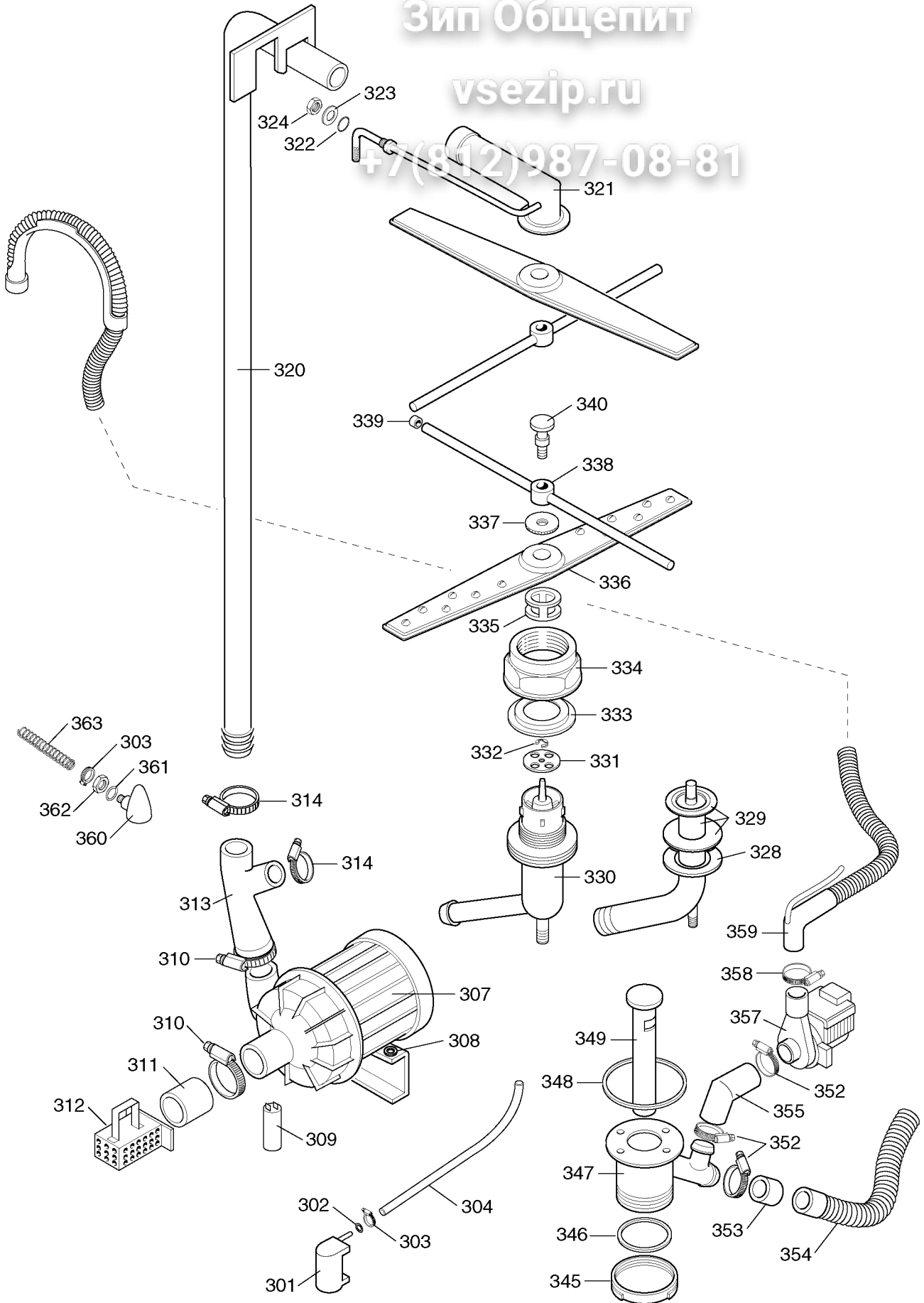
Code	Type	Ref.	Page	Code	Type	Ref.	Page
504000	LS10D	a	2 4 5 7	504020	LS12D	u	3 4 5 7
504001	LS10	b	2 4 5 7	504021	LS12	v	2 4 5 7
504002	LS10UK/RP	c	2 4 5 7	504022	LS12UK/RP	w	2 4 5 7
504003	LC100	d	2 4 5 7	504023	LC120	x	3 4 5 7
504004	ECOTEMP12	e	3 4 5 7	504024	LS12DP	y	2 4 5 7
504005	LS10/60HZ	f	2 4 5 7	504025	LS12/60HZ	z	2 4 5 7
504006	LS10/1	g	2 4 5 7	504028	LS12F	A	3 4 5 7
504007	LS10/12KW	h	2 4 5 7	504029	LS12DEK	B	2 4 5 7
504008	LS10F	k	2 4 5 7	504053	LS12HD	C	2 4 5 7
504009	LS10DEK	l	2 4 5 7	504061	LS12UK/3Atmo	D	2 4 6 7
504010	LS10/1UKRP	m	2 4 5 7	504063	ECOTEMP12SW	E	3 4 5 7
504011	LS10SW	n	3 4 5 7	504065	ECOTEMP12INS	F	3 4 5 7
504012	LS10J/50HZE	o	2 4 5 7	504078	LS10Mex	N	2 4 5 7
504013	LS10J/60HZE	p	2 4 5 7	504080	LS10N	G	2 4 5 7
504014	LS10DP	q	2 4 5 7	698020	HT1200	H	2 4 5 7
504015	LS10HD	r	2 4 5 7	698021	HT1000	K	2 4 5 7
504018	LS10UK/1Atmo	s	2 4 6 7	727020	HYDRA1200	L	2 4 5 7
504019	LS10UK/3Atmo	t	2 4 6 7	727021	HYDRA1000	M	2 4 5 7

Pag.	Indice
2	Vista generale
3	Vista generale
4	Componenti idraulici
5	Circuito idraulico
6	Circuito idraulico, atmosferico
7	Componenti elettrici
8-15	Lista ricambi

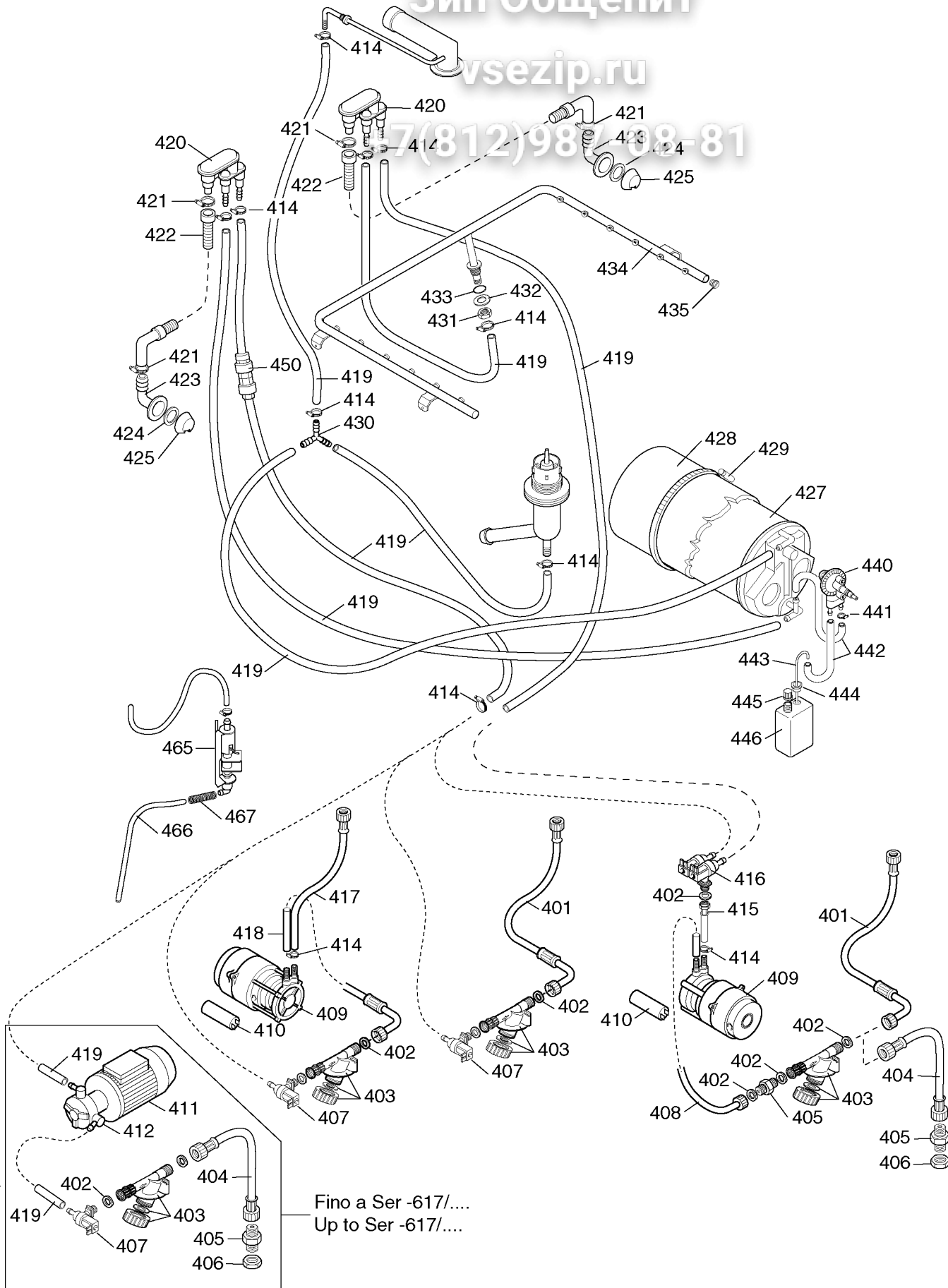
Index
Main view
Main view
Hydraulic components
Hydraulic circuit
Hydraulic circuit, atmospheric
Electrical components
Spare parts list





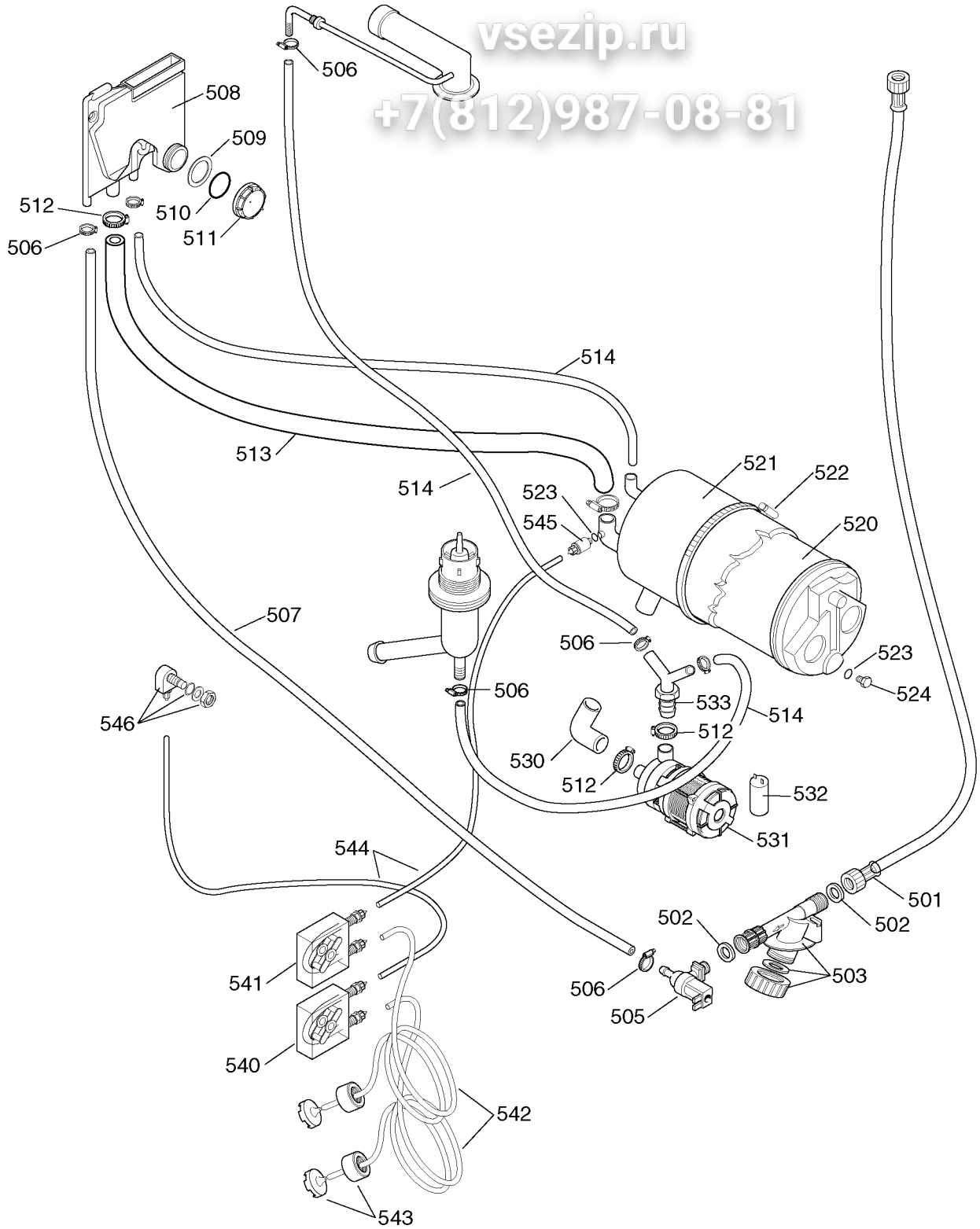


ill. 641001\_p3



OS/Doc - LS\_10\_Zan \ 641001.prm6

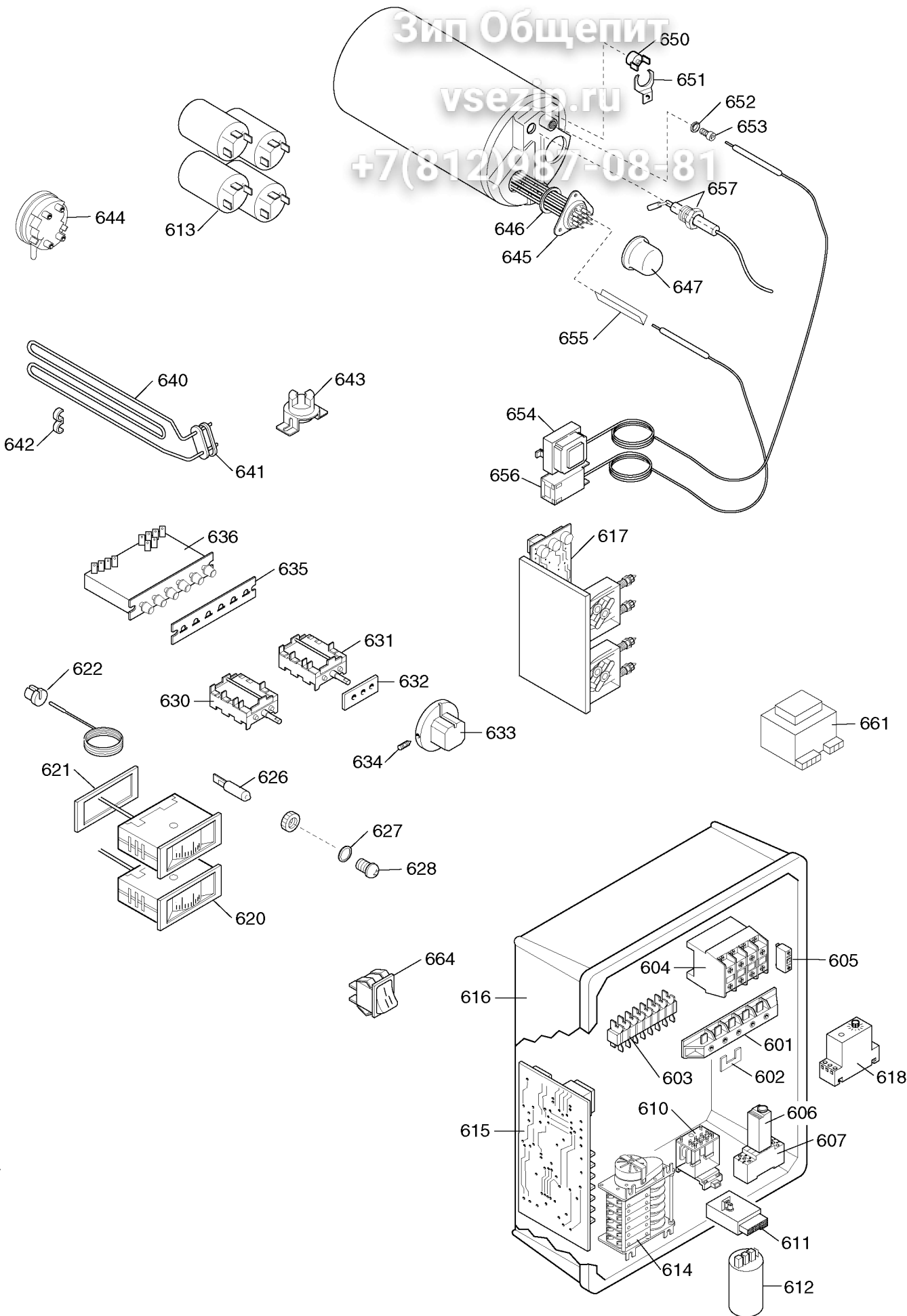
ill. 641001\_p4



Зип Общежит

vsezip.ru

+7(812)987-08-81



ill. 641001\_p6

OS/Doc - LS\_10\_Zan \ 641001.prm6