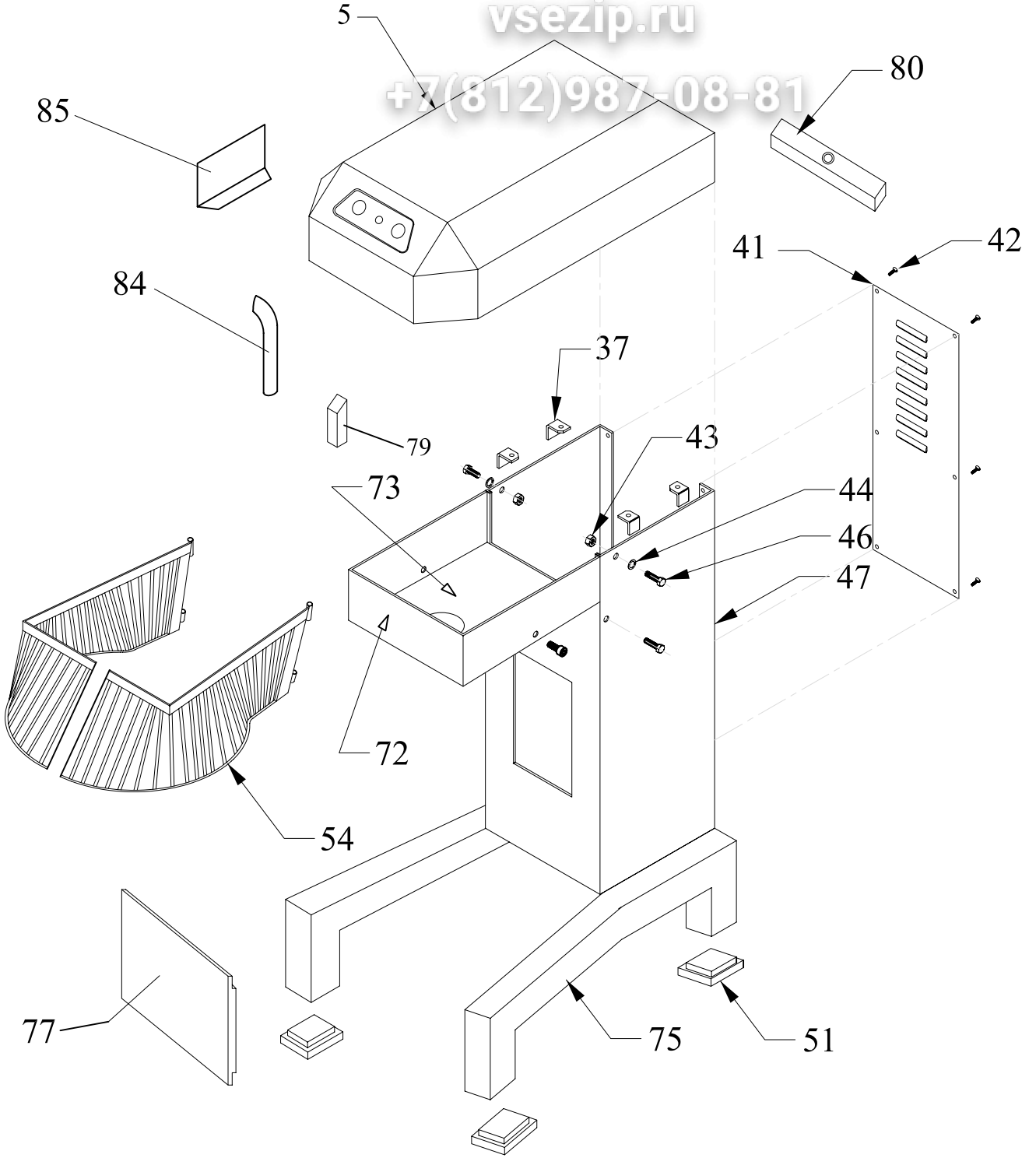


Зип Общепит

vsezip.ru

+7(812)987-08-81

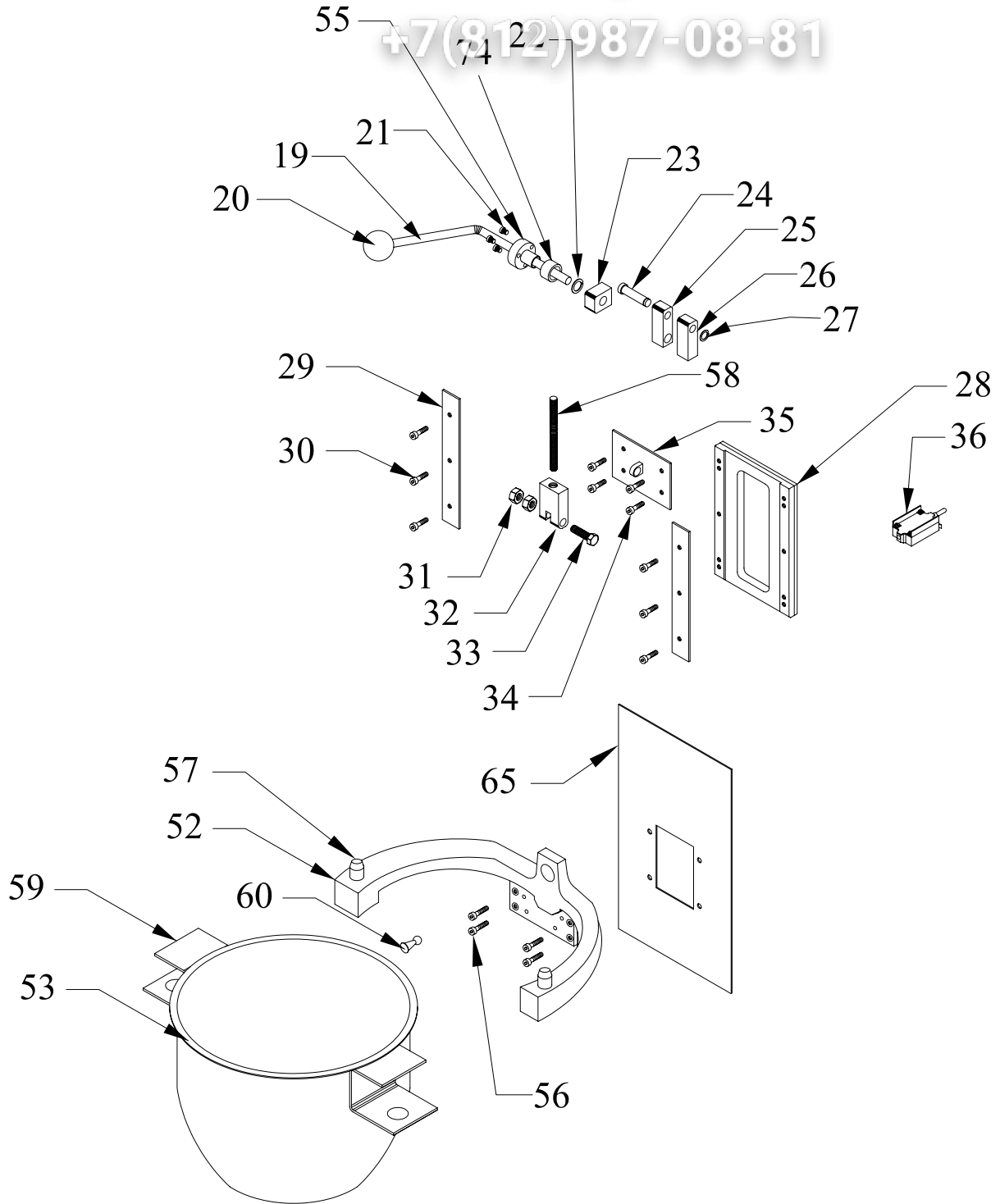


| Çizen      | Tarih                    | Adı Soyadı     | İmza | Gereç | Adet | Gn.Tol. | öztiryakiler<br>Madeni Eşya San.Ve Tic. A.Ş. |           |            |
|------------|--------------------------|----------------|------|-------|------|---------|--|-----------|------------|
| Kontrol    | 08.09.2004               | M.Emin TÜRKER  |      |       |      |         |  |           |            |
| Stan.Kont. |                          | i.Ertan TOYLAN |      |       |      |         |  |           |            |
| Ölçek      |                          | Ümit PINAR     |      |       |      |         | Mon.Nr.                                      | Resim Nr. |            |
|            | 10 LT MIKSER GÖVDE GRUBU |                |      |       |      |         |  |           | 522.000.00 |

Зип Ощепит

vsezip.ru

+7(812)987-08-81

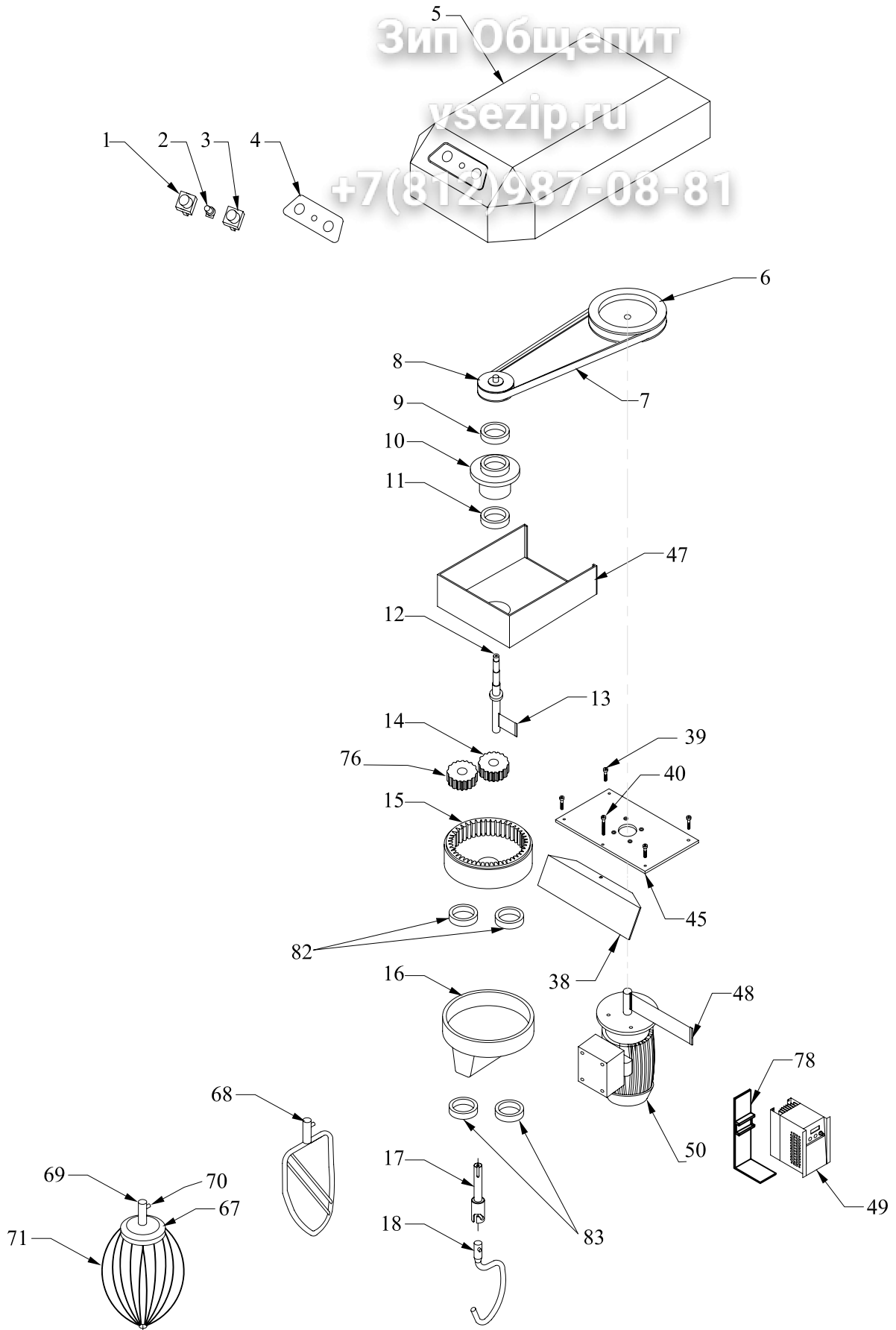


|            | Tarih                             | Adı Soyadı     | İmza | Gereç | Adet | Gn.Tol. | öztiryakiler                 |            |
|------------|-----------------------------------|----------------|------|-------|------|---------|------------------------------|------------|
| Çizen      | 06.09.2004                        | M.Emin TÜRKER  |      |       |      |         | Madeni Eşya San.Ve Tic. A.Ş. |            |
| Kontrol    |                                   | İ.Ertan TOYLAN |      |       |      |         |                              |            |
| Stan.Kont. |                                   | Ümit PINAR     |      |       |      |         |                              |            |
| Ölçek      | 10 LT MIKSER KAZAN KALDIRMA GRUBU |                |      |       |      |         | Mon.Nr.                      | Resim Nr.  |
|            |                                   |                |      |       |      |         |                              | 522.000.00 |

Зип Общепит

ysezip.ru

+7(812)987-08-81



|            | Tarih                      | Adı Soyadı     | İmza | Gereç | Adet | Gn.Tol. | öztiryakiler                 |            |
|------------|----------------------------|----------------|------|-------|------|---------|------------------------------|------------|
| Çizen      | 06.09.2004                 | M.Emin TÜRKER  |      |       |      |         | Madeni Eşya San.Ve Tic. A.Ş. |            |
| Kontrol    |                            | İ.Ertan TOYLAN |      |       |      |         |                              |            |
| Stan.Kont. |                            | Ümit PINAR     |      |       |      |         |                              |            |
| Ölçek      | 10 LT MIKSER HAREKET GRUBU |                |      |       |      |         | Mon.Nr.                      | Resim Nr.  |
|            |                            |                |      |       |      |         |                              | 522.000.00 |

| Site | POSITION NUMBER | PART CODE     | Part Name                                       |
|------|-----------------|---------------|---|
|      | 001             | 6232.00003.02 | START BUTTON                                    |
|      | 002             | 6229.00034.09 | POTANSIOMETER FOR SPEED ADJUSTMENT              |
|      | 003             | 6232.00003.06 | STOP BUTTON                                     |
|      | 004             | OM10G-001     | ON REQUEST                                      |
|      | 005             | OM10G-002     | ON REQUEST                                      |
|      | 006             | 2810.00010.01 | 13*150 BELT PULLEY                              |
|      | 007             | 6263.00002.08 | 13*825 BELT                                     |
|      | 008             | 2810.00010.02 | ENGINE BELT PULLEY                              |
|      | 009             | 6211.00210.00 | 6004 ZZ BEARING                                 |
|      | 010             | 2810.00010.03 | ENGINE BELT PULLEY BEARING                      |
|      | 011             | 6211.00210.00 | 6004 2RS BEARING                                |
|      | 012             | 2810.00010.04 | AXLE FOR ENGINE BELT PULLEY                     |
|      | 013             | 2810.00010.05 | WEDGE FOR ENGINE BELT PULLEY AXLE               |
|      | 014             | 6261.00017.22 | POLYEMID GEAR                                   |
|      | 015             | 2810.00010.51 | POT GEAR  |
|      | 016             | 2810.00010.06 | GEAR HEAD                                       |
|      | 017             | 2810.00010.07 | PART FIXING AXLE                                |
|      | 018             | 2810.00010.08 | KNEADING TOOL (please look at catalogue)        |
|      | 019             | OM10G-016     | ON REQUEST                                      |
|      | 020             | 6260.00065.00 | GLOBULAR KNOB                                   |
|      | 021             | OM10G-018     | ON REQUEST                                      |
|      | 022             | OM10G-019     | ON REQUEST                                      |
|      | 023             | OM10G-020     | ON REQUEST                                      |
|      | 024             | OM10G-021     | ON REQUEST                                      |
|      | 025             | OM10G-022     | ON REQUEST                                      |
|      | 026             | OM10G-023     | ON REQUEST                                      |
|      | 027             | OM10G-024     | ON REQUEST                                      |
|      | 028             | OM10G-025     | ON REQUEST                                      |
|      | 029             | OM10G-026     | ON REQUEST                                      |
|      | 030             | OM10G-027     | ON REQUEST                                      |
|      | 031             | OM10G-028     | ON REQUEST                                      |
|      | 032             | OM10G-029     | ON REQUEST                                      |
|      | 033             | OM10G-030     | ON REQUEST                                      |
|      | 034             | OM10G-031     | ON REQUEST                                      |
|      | 035             | OM10G-032     | ON REQUEST                                      |
|      | 036             | 6232.00006.00 | SWITCH  |
|      | 037             | OM10G-034     | ON REQUEST                                      |
|      | 038             | OM10G-035     | ON REQUEST                                      |
|      | 039             | OM10G-036     | ON REQUEST                                      |
|      | 040             | OM10G-037     | ON REQUEST                                      |
|      | 041             | 2810.00010.39 | REAR SHUTTER LID                                |
|      | 042             | OM10G-039     | ON REQUEST                                      |
|      | 043             | OM10G-040     | ON REQUEST                                      |
|      | 044             | OM10G-041     | ON REQUEST                                      |
|      | 045             | OM10G-042     | ON REQUEST                                      |
|      | 046             | OM10G-043     | ON REQUEST                                      |
|      | 047             | OM10G-044     | ON REQUEST                                      |
|      | 048             | OM10G-045     | ON REQUEST                                      |
|      | 049             | 6229.00034.16 | FREQUENCY INVERTER                              |
|      | 050             | 6252.00000.11 | 0,55KW 915 rpm B 14 SIEMENS ENGINE wi th FLANSH |
|      | 051             | OM10G-048     | ON REQUEST                                      |
|      | 052             | 2810.00010.30 | BOWL LIFTING BAR                                |
|      | 053             | 2810.00010.31 | 10 LT MIXER BOWL (please look at catalogue)     |
|      | 054             | 2810.00010.41 | PROTECTION CASE                                 |

|  |     |               |  |
|--|-----|---------------|--|
|  | 055 | OM10G-052     | ON REQUEST                               |
|  | 056 | OM10G-053     | ON REQUEST                               |
|  | 057 | OM10G-054     | ON REQUEST                               |
|  | 058 | OM10G-055     | ON REQUEST                               |
|  | 059 | OM10G-056     | ON REQUEST                               |
|  | 060 | OM10G-057     | ON REQUEST                               |
|  | 061 | OM10G-058     | ON REQUEST                               |
|  | 062 | OM10G-059     | ON REQUEST                               |
|  | 063 | OM10G-060     | ON REQUEST                               |
|  | 064 | OM10G-061     | ON REQUEST                               |
|  | 065 | OM10G-062     | ON REQUEST                               |
|  | 066 | OM10G-063     | ON REQUEST                               |
|  | 067 | OM10G-064     | ON REQUEST                               |
|  | 068 | 2810.00010.13 | MIXING TOOL (please look at catalogue )  |
|  | 069 | OM10G-066     | ON REQUEST                               |
|  | 070 | OM10G-067     | ON REQUEST                               |
|  | 071 | 2810.00010.16 | BEATING TOOL (please look at catalogue ) |
|  | 072 | OM10G-069     | ON REQUEST                               |
|  | 073 | OM10G-070     | ON REQUEST                               |
|  | 074 | OM10G-071     | ON REQUEST                               |
|  | 075 | OM10G-072     | ON REQUEST                               |
|  | 076 | OM10G-073     | ON REQUEST                               |
|  | 077 | OM10G-074     | ON REQUEST                               |
|  | 078 | OM10G-075     | ON REQUEST                               |
|  | 079 | OM10G-076     | ON REQUEST                               |
|  | 080 | OM10G-077     | ON REQUEST                               |
|  | 081 | OM10G-078     | ON REQUEST                               |
|  | 082 | 6211.00210.00 | 6004 ZZ BEARING                          |
|  | 083 | 6211.00210.01 | 6004 2RS BEARING                         |
|  | 084 | OM10G-081     | ON REQUEST                               |
|  | 085 | OM10G-082     | ON REQUEST                               |