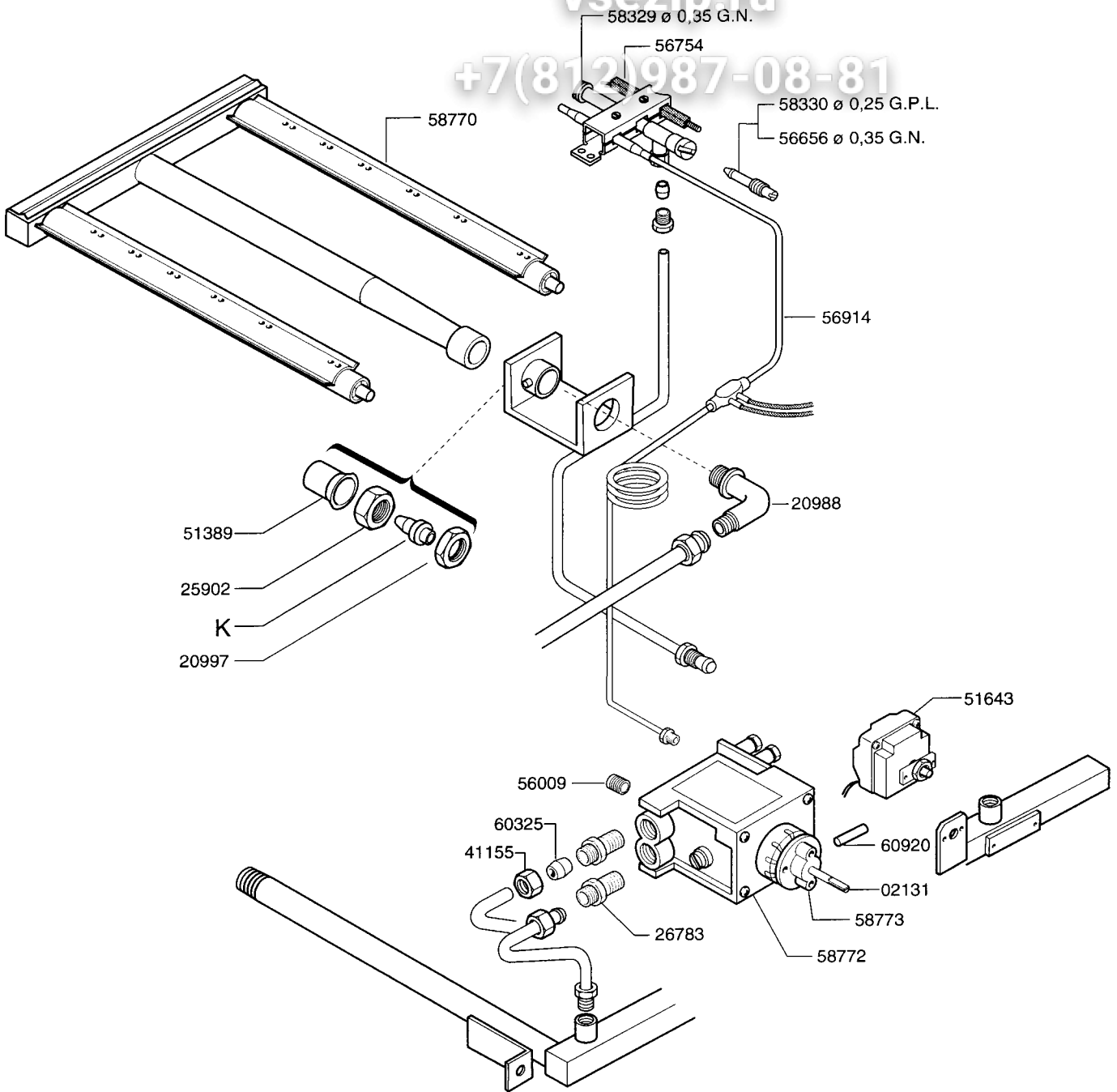


"700 " FRY-TOP GAS CON PIASTRA CROMATA GAS FRY-TOP WITH CHROMED PLATE							A - SB	REF.	From serial Nr
a	b	c	d	e	f	g	h	RIF.	Da matricola
174 270 T 79 GFT	174 271 T 109 G FT	174 260 XR/G 720D	174 261 XR/G 1070 D				174 290 CR/G 720		91 09 02
l	m								



K
26787 \varnothing 2,10 G.N. cat "H-E-L"
25947 \varnothing 2,30 G.N. cat "LL"
25866 \varnothing 1,35 G.P.L 30-37 mbar
26213 \varnothing 1,20 G.P.L 50 mbar

" 700 " FRY-TOP GAS CON PIASTRA CROMATA GAS FRY-TOP WITH CHROMED PLATE								REF.	From serial Nr
a	b	c	d	e	f	g	h	RIF.	Da matricola
174 270 T 79 GFT	174 271 T 109 G FT	174 260 XR/G 720D	174 261 XR/G 1070 D				174 290 CR/G 720		91 09 02
l	m								