

PNC	Model	Ref.	Page	Notes
237 500	FCZ061GAG	a	2-3-4-5-6	Level/Livello A
238 500	FCZ061GBG	b	2-3-4-5-6	Level/Livello B
237 510	FCZ061GAD	c	2-3-4-5-6	Level/Livello A
238 510	FCZ061GBD	d	2-3-4-5-6	Level/Livello B
239 500	FCZ061GCG	g	2-3-4-5-6	Level/Livello C
239 510	FCZ061GCD	h	2-3-4-5-6	Level/Livello C

Index

Pag. 2	Oven cabinet and door
3	Water system
4	Boiler and gas system
5	Electrical components
6	Tray support
7-10	Spare part list

Indice

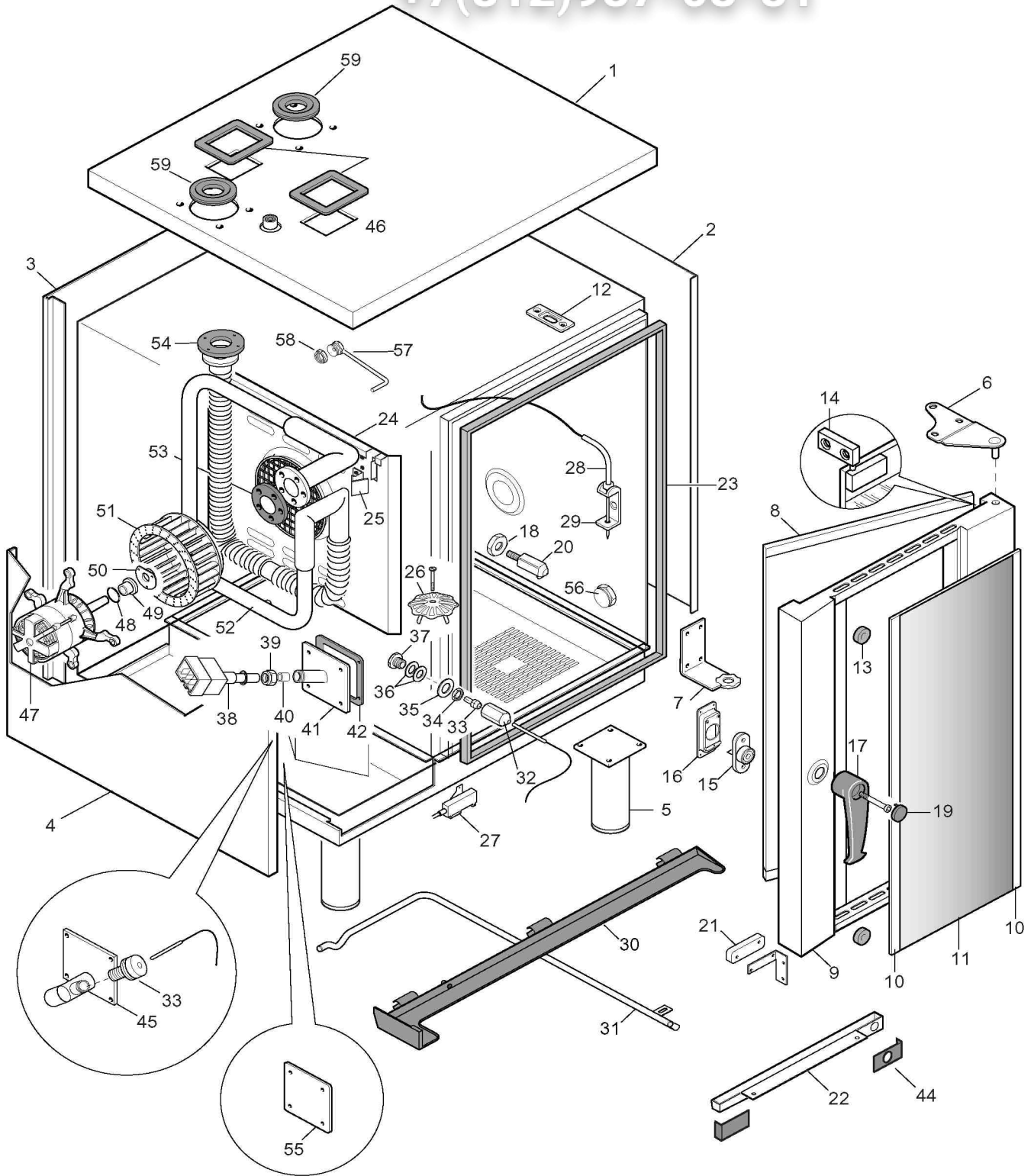
Cella forno e porta
Impianto idraulico
Boiler e impianto gas
Componenti elettrici
Struttura portateglie
Lista ricambi

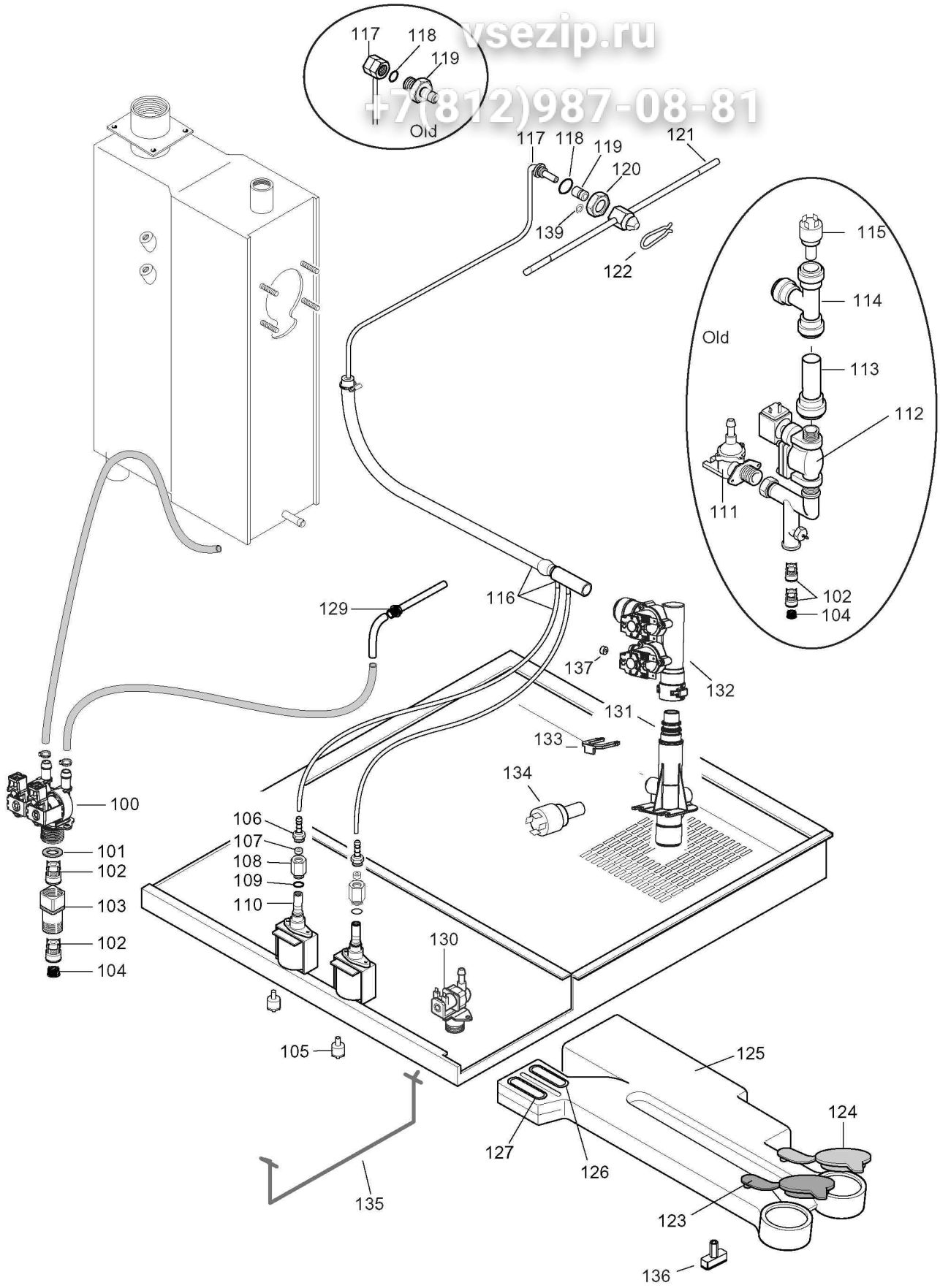
Brand / Marchio: Zanussi
Factory code: 9PDD

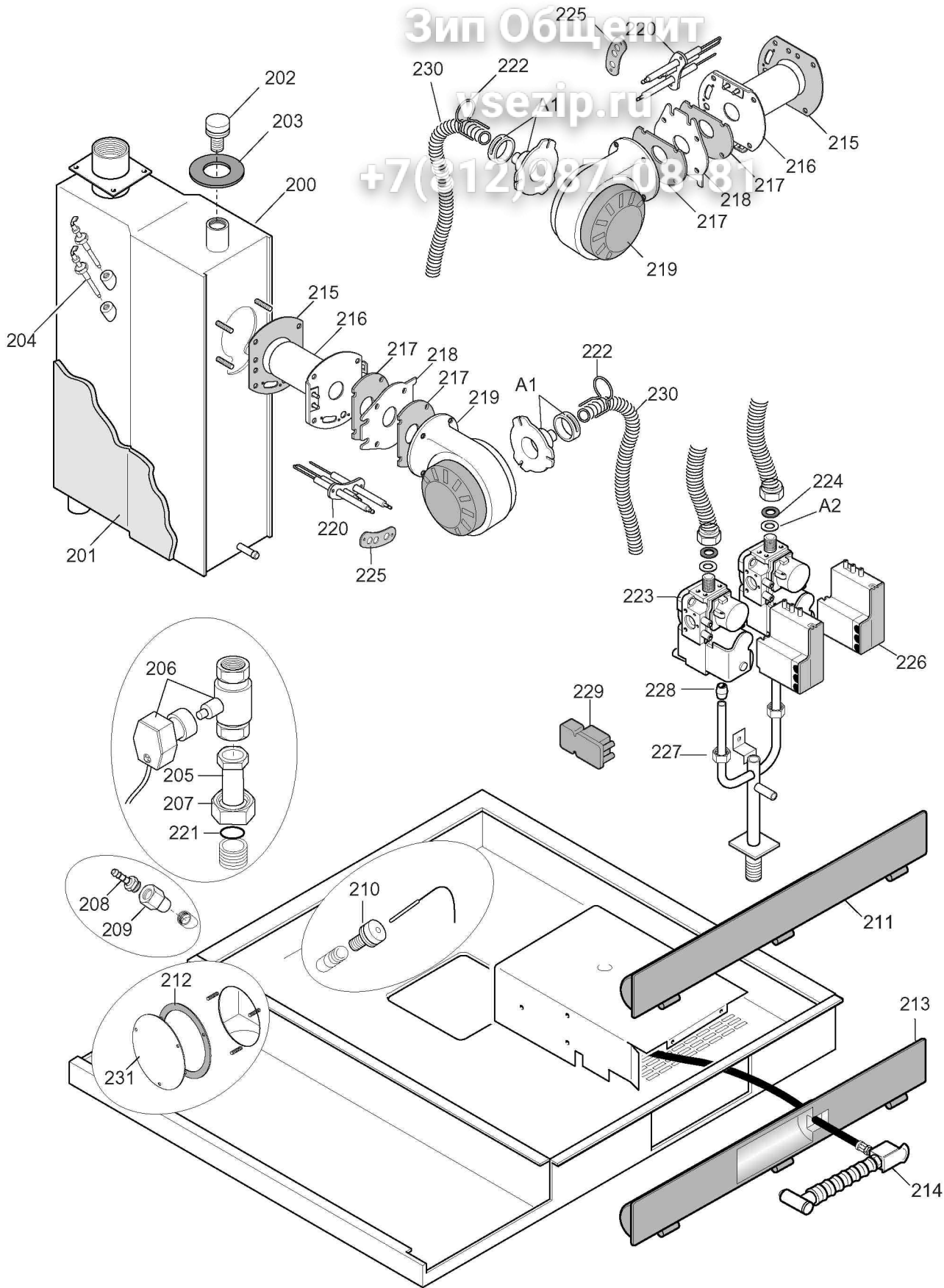
Зип Ощепит

vsezip.ru

+7(812)987-08-81





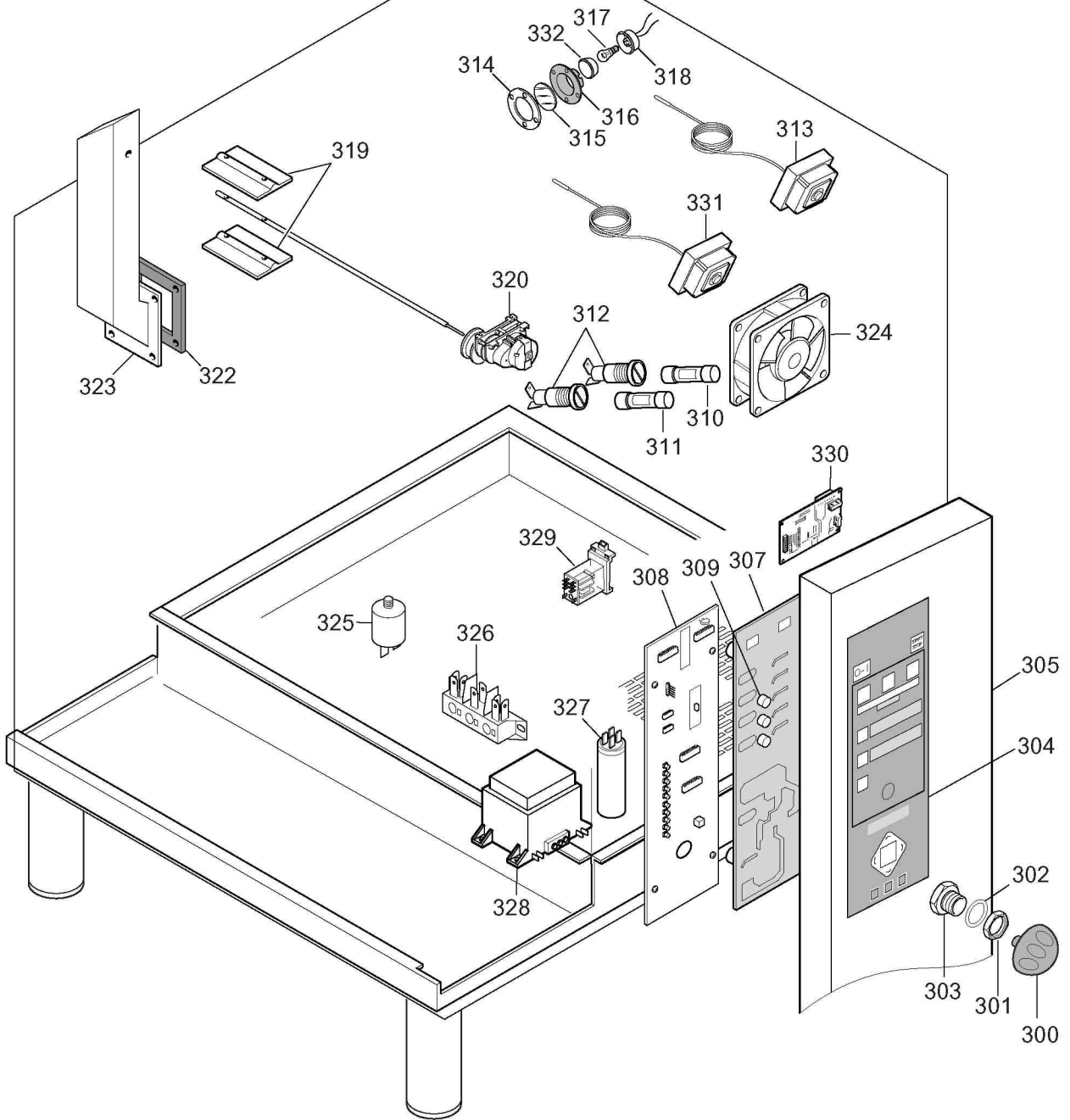


GAS	AERATORE/AERATOR		DIAFRAMMA/DIAPHRAGM	
	POS. A1 CELLA/CAVITY	POS. A1 BOILER	POS. A2 CELLA/CAVITY	POS. A2 BOILER
G20	0C4630 (FUCSIA/FUCHSIA)	0C4630 (FUCSIA/FUCHSIA)	0C2445 (ø 6)	0C2445 (ø 6)
G25	0C4630 (FUCSIA/FUCHSIA)	0C4630 (FUCSIA/FUCHSIA)	0C5235 (ø 6,75)	0C5235 (ø 6,75)
G30	0C4630 (FUCSIA/FUCHSIA)	0C4630 (FUCSIA/FUCHSIA)	0C4383 (ø 5.25)	0C4384 (ø 4,75)
LPG	0C4630 (FUCSIA/FUCHSIA)	0C4630 (FUCSIA/FUCHSIA)	0C2442 (ø 5.5)	0C4385 (ø 5)

Зип Общепит

vsezip.ru

+7(812)987-08-81



Зип Общепит

vsezip.ru

+7(812)987-08-81

