



ELECTROLUXPROFESSIONAL

**Modular Platform**

Viale Treviso, 15

33170 Pordenone - Italy

Fax: +39 0434-380577

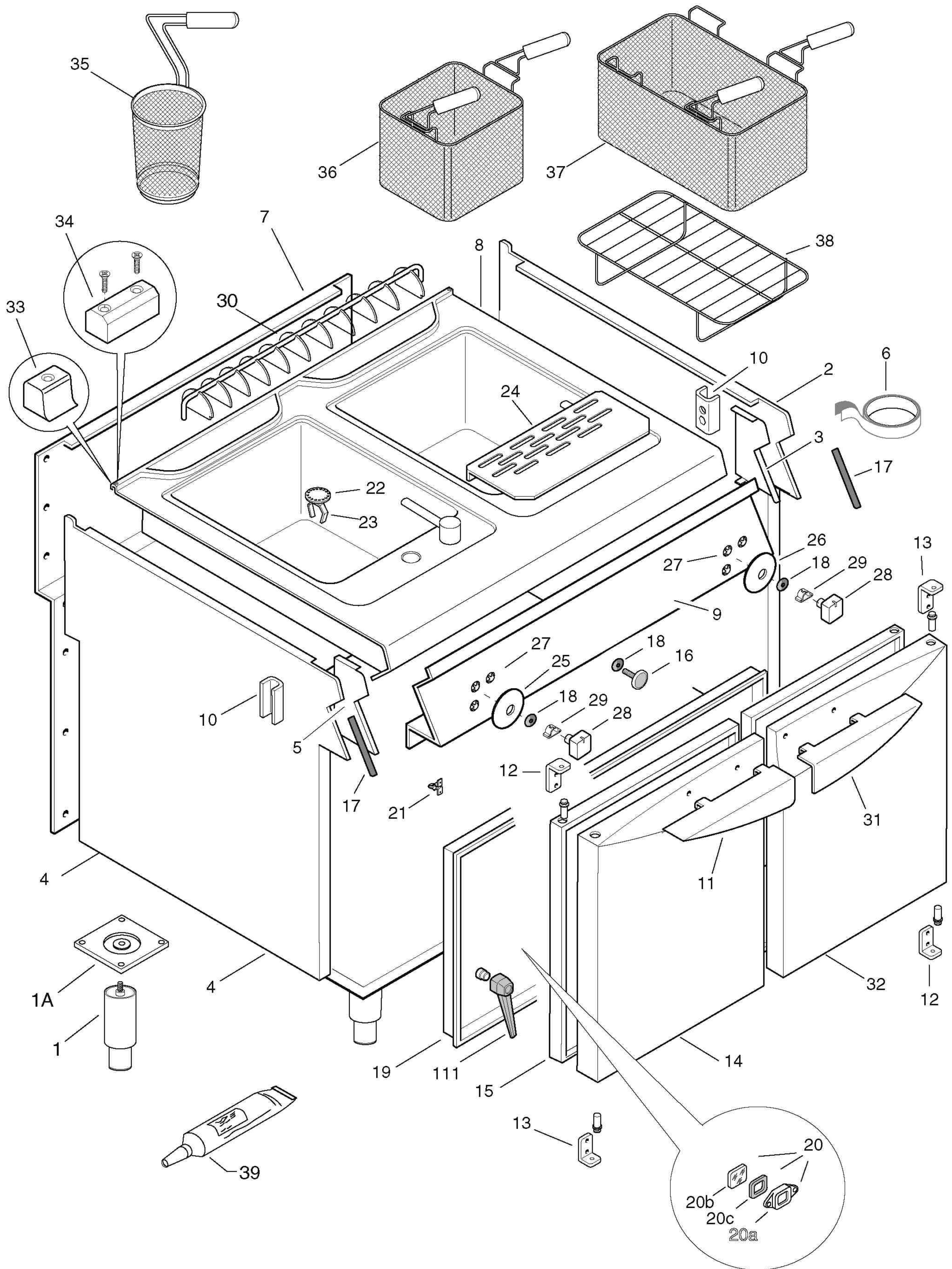
SPARE PARTS CATALOGUE  
CATALOGO PARTI DI RICAMBIO

**CUOCIPASTA GAS N900 USA**  
**GAS PASTA COOKER N900 USA**

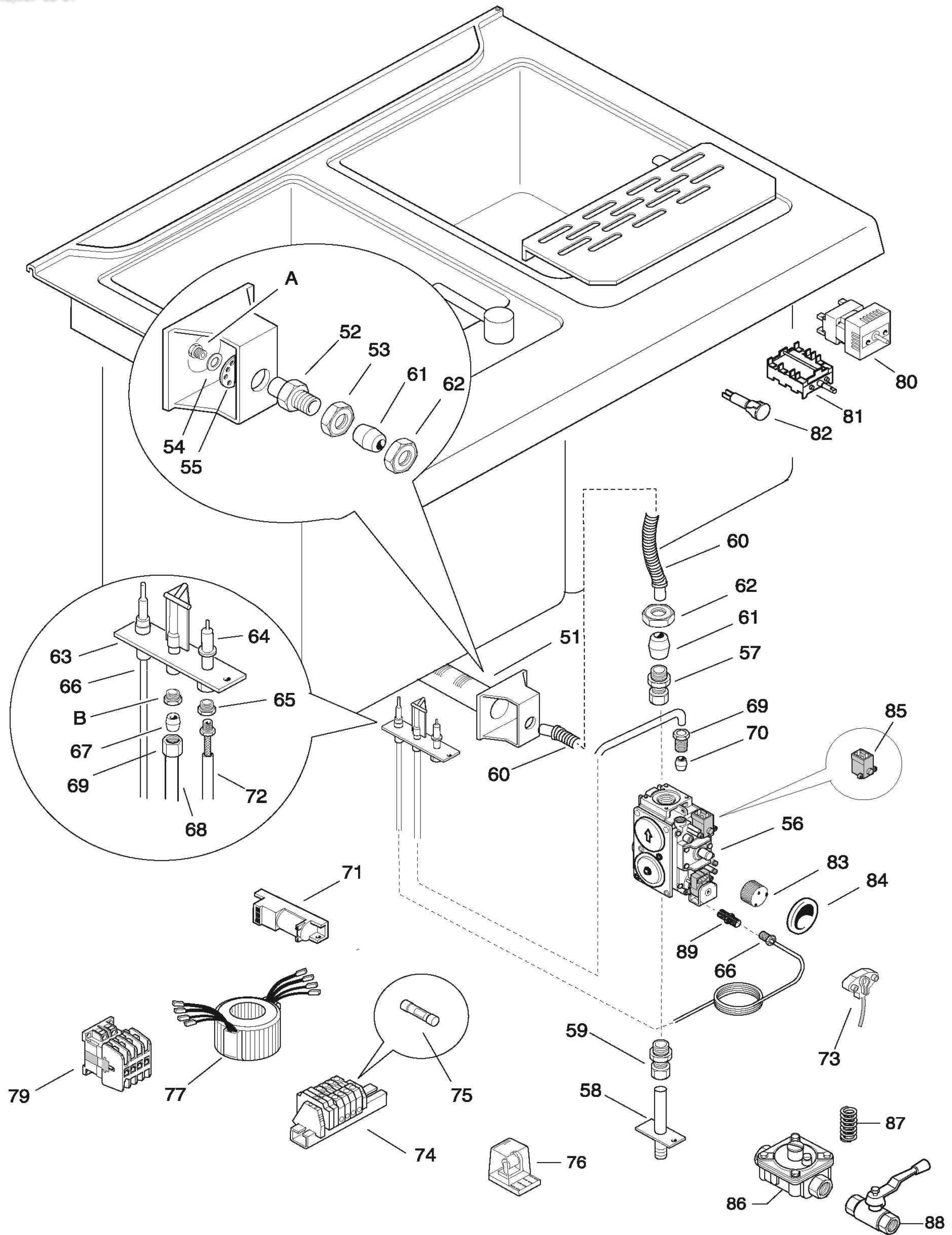
| PNC     | Model    | Ref. | Notes                                          |
|---------|----------|------|------------------------------------------------|
| 200 396 | KCP/G1U  | a    | Gas Pasta Cooker 40L 400MM USA                 |
| 200 372 | KCP/G1RU | b    | Gas Pasta Cooker Rapid System 40L 400MM USA    |
| 200 397 | KCP/G2U  | c    | Gas Pasta Cooker 40+40L 800MM USA              |
| 200 373 | KCP/G2RU | d    | Gas Pasta Cooker 40+40L Rapid System 800MM USA |

|      |           | <b>Index</b>          | <b>Indice</b>         |
|------|-----------|-----------------------|-----------------------|
| Pag. | 1         | Frame                 | Mobile                |
| Pag. | 2         | Functional components | Componenti funzionali |
| Pag. | 3         | Water system/Boiler   | Impianto acqua/Boiler |
| Pag. | 4 - 5 - 6 | Spare parts list      | Lista ricambi         |

**Brand / Marchio :** Zanussi  
**Factory code:** 9PDX



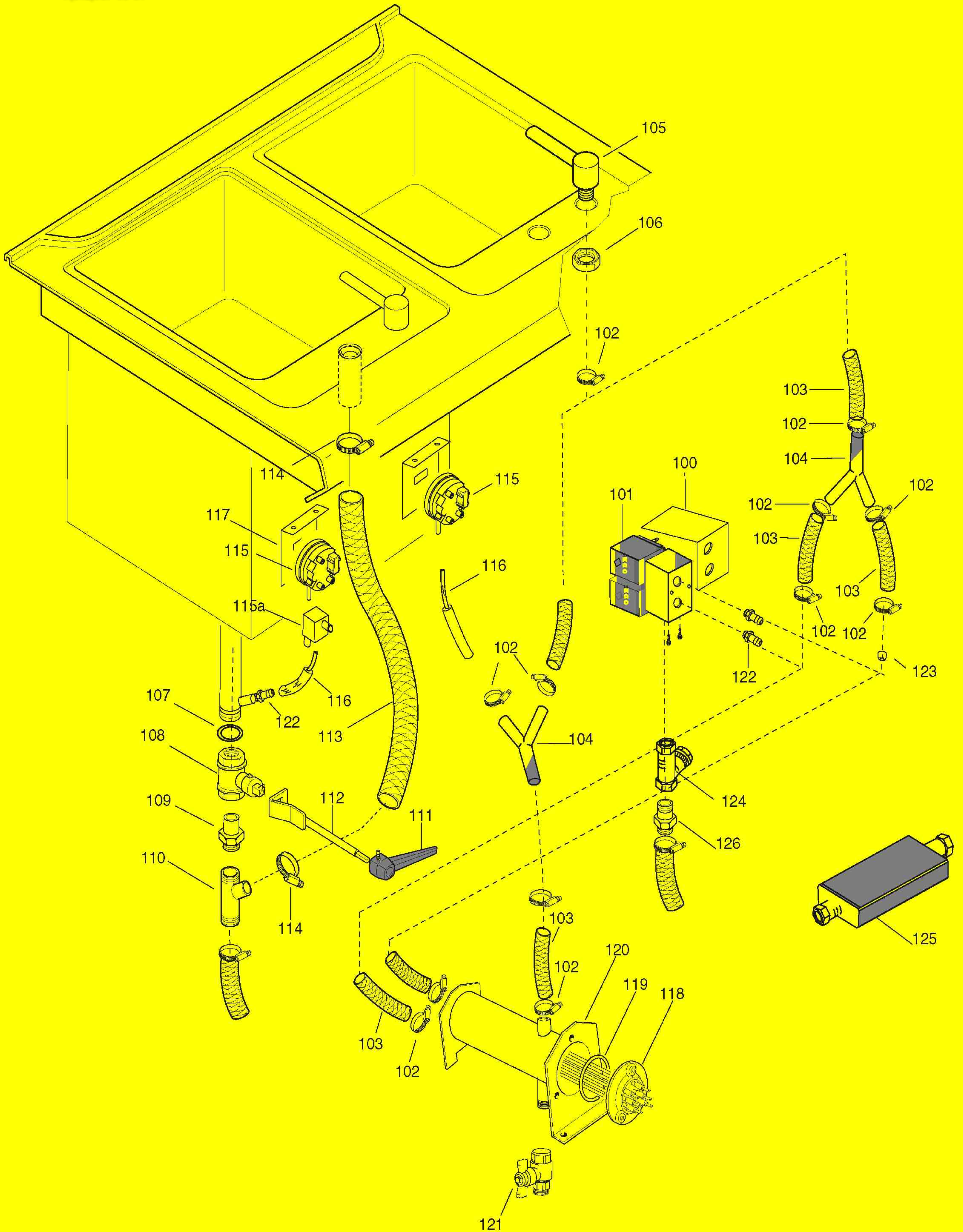
Cuocipasta Gas N900  
Gas Pasta Cooker N900



| A - Ugello bruciatore / Burner nozzle |              |             |                    |
|---------------------------------------|--------------|-------------|--------------------|
| 6DGT Code                             | Ref. / Notes |             |                    |
| 05549                                 | ø2.15        | ANSI<br>CGA | G20 10mbar / 10"wc |
| 055388                                | ø3.30        | ANSI<br>CGA | G31 25mbar / 4"wc  |

| B - Ugello pilota / Pilot nozzle |                 |             |                    |
|----------------------------------|-----------------|-------------|--------------------|
| 6DGT Code                        | Ref. / Notes    |             |                    |
| 054038                           | n°45<br>2 holes | ANSI<br>CGA | G20 10mbar / 10"wc |
| 054286                           | n°24            | ANSI<br>CGA | G31 25mbar / 4"wc  |

Cuocipasta Gas N900  
Gas Pasta Cooker N900



Cuocipasta Gas N900  
Gas Pasta Cooker N900