

**FORNO CONVEZIONE VAPORE GAS 20GN1/1, 20GN2/1 Liv.3 - 4
20GN1/1, 20GN2/1 Lev.3 - 4, GAS STEAM - CONVECTION OVEN****+7(812)987-08-81**

| PNC | Model | Ref. | Page | Notes | |
|---------|---------------|------|---------------|-----------------------|-------------------------------|
| 240 106 | FCV/G201/1 L3 | a | 1-2-3-4-5-6-7 | Zanussi | Level/livello 3 |
| 240 108 | FCV/G202/1 L3 | b | 1-2-3-4-5-6-7 | Zanussi | Level/livello 3 |
| 260 766 | ECV/G201/1 T4 | c | 1-2-3-4-5-6-7 | Electrolux | Level/livello 4 |
| 260 768 | ECV/G202/1 T4 | d | 1-2-3-4-5-6-7 | Electrolux | Level/livello 4 |
| 775 066 | ZCV/G201/1 T4 | e | 1-2-3 -5-6-7 | Zoppas | Level/livello 4, Out of P.035 |
| 775 068 | ZCV/G202/1 T4 | f | 1-2-3 -5-6-7 | Zoppas | Level/livello 4, Out of P.035 |
| 697 836 | ACV/G201/1 C4 | g | 1-2-3-4-5-6-7 | Alpeninox | Level/livello 4 |
| 697 838 | ACV/G202/1 C4 | h | 1-2-3-4-5-6-7 | Alpeninox | Level/livello 4 |
| 260 776 | ECV/G201/1 T4 | i | 1-2-3-4-5-6-7 | Electrolux-Japan 60Hz | Level/livello 4 |

Indice

| | |
|--------|-----------------------------------------------------------------------------------------|
| Pag. 1 | Cella forno |
| 2 | Ass.porta e struttura carellata |
| 3 | Componenti gas, con util. Valvola Gas SIT-830/836TANDEM, fino a matricola 130... |
| 4 | Componenti gas, con util. valvola gas HONEYWELL VK4105, da matricola 131... |
| 5 | Boiler e componenti circuito idraulico |
| 6 | Componenti elettrici |
| 7 | Pannello comandi |
| 7-15 | Lista ricambi |

Index

| |
|----------------------------------------------------------------------------------------|
| Oven cabinet |
| Door ass.ly and slide-in-rack |
| Gas components, using a SIT- 830/836-TANDEM Gas Valve , till to SN130... |
| Gas components, using an HONEYWELL-VK4105 Gas Valve, from SN131... |
| Boiler and hydraulic circuit components |
| Electrical components |
| Control panel |
| Spare parts list |

Marchio / Brand: Z-E-P-A
Paese / Country: Tutti / All
Factory code: 9PDX

Da Ser. Nr. / From ser. nr.: 522.....

Ed. 02-01

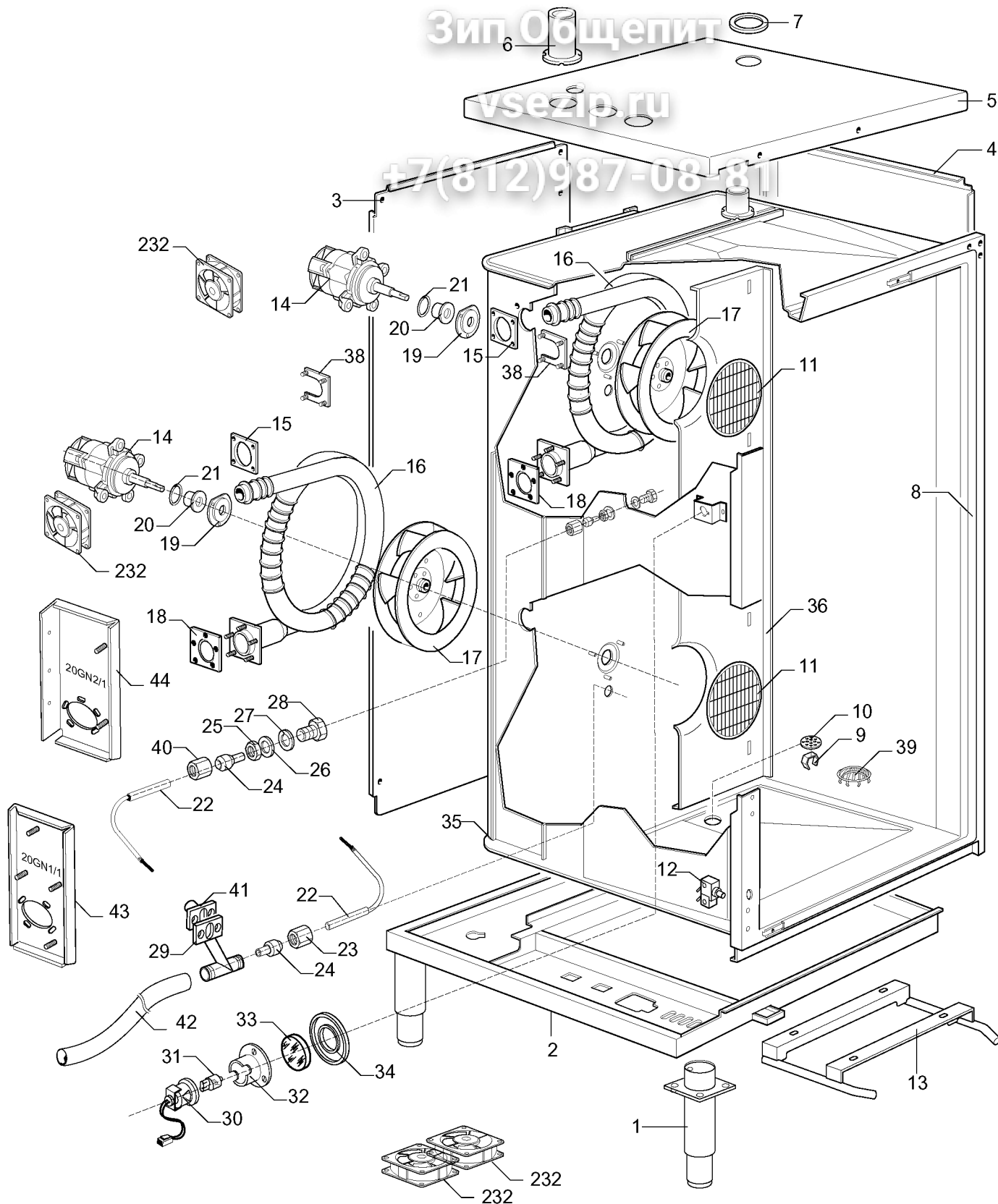
Doc. Nr.:

3 - 11 014

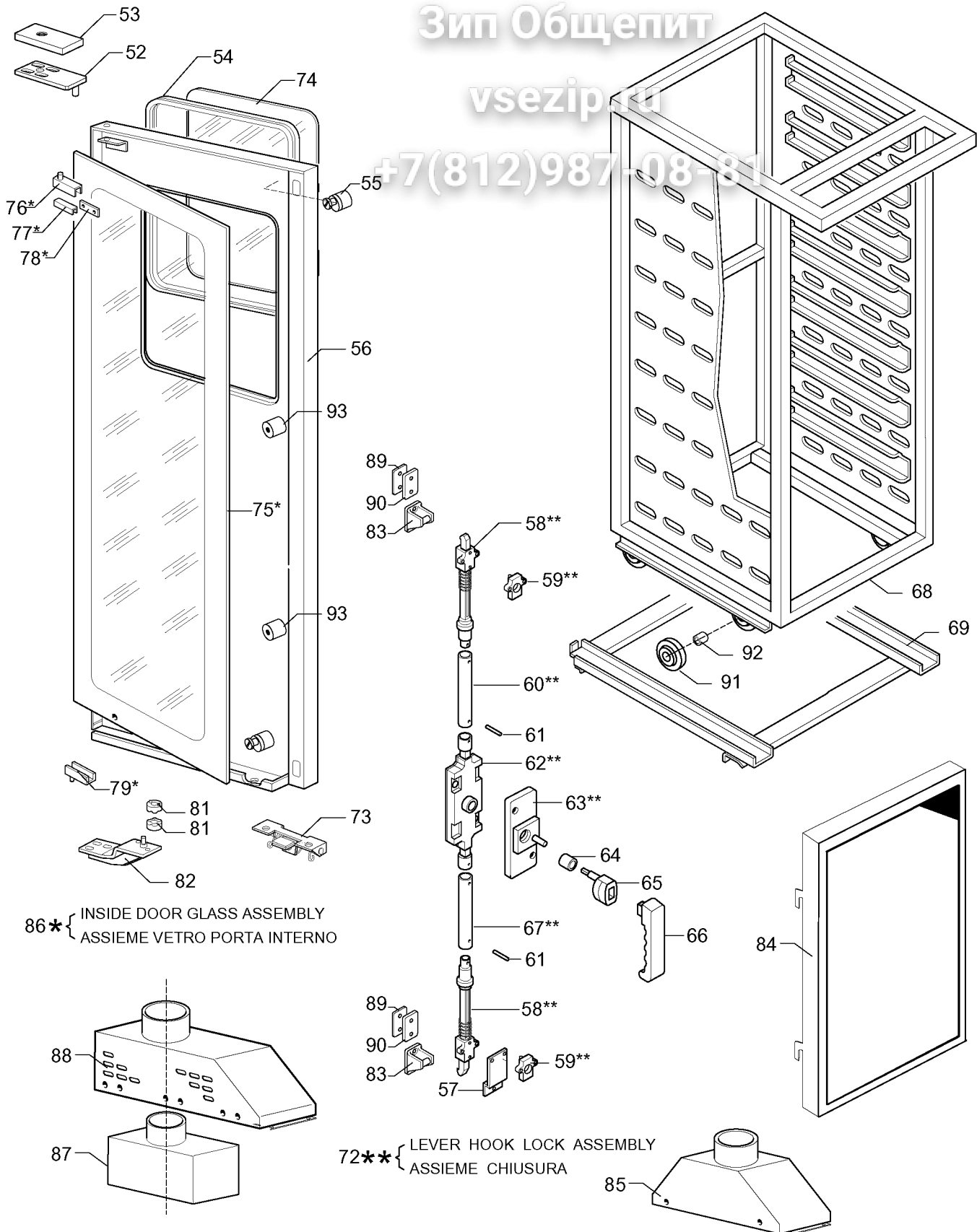
Зип.Общепит

vsezip.ru

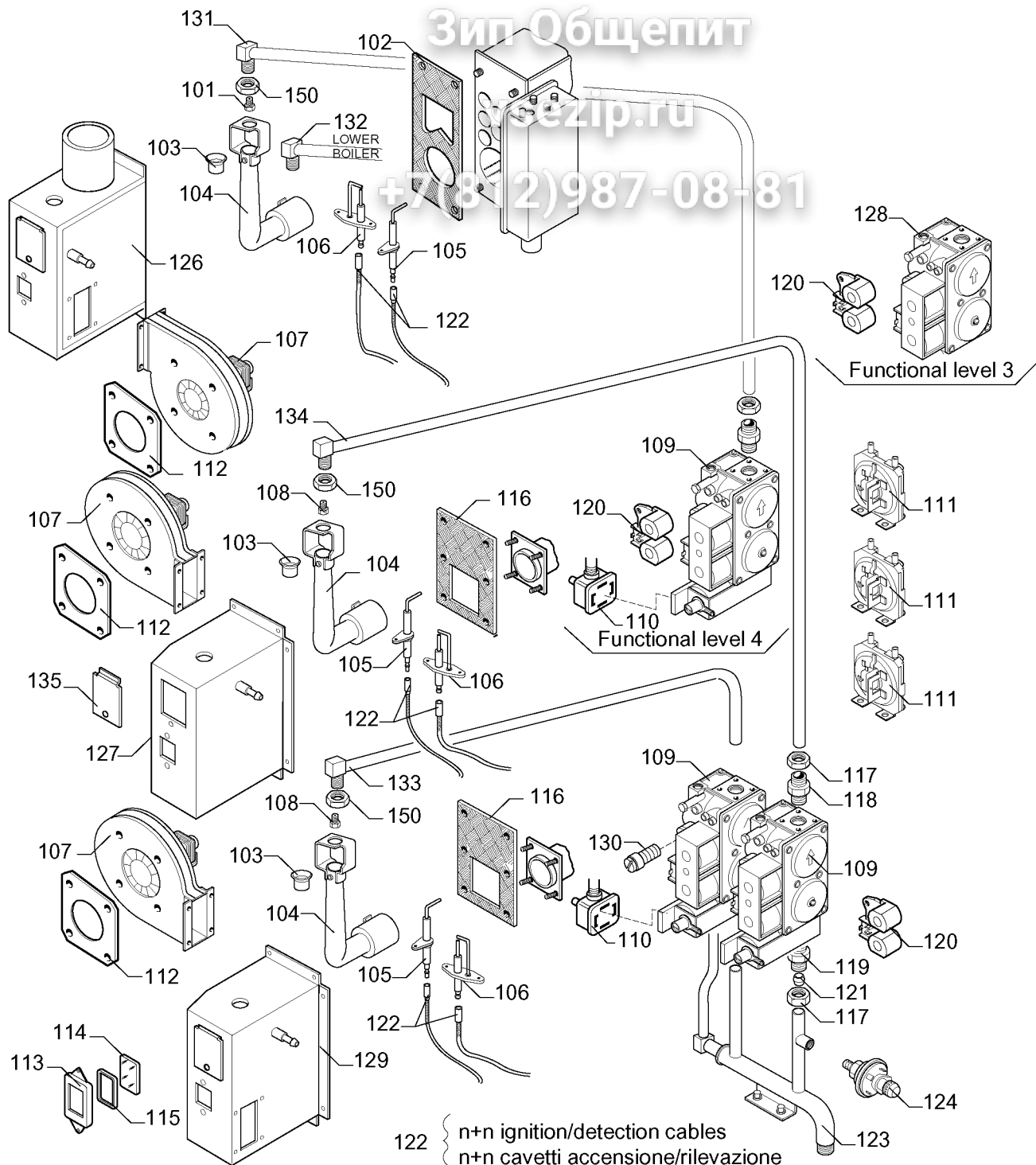
+7(812)987-08181



FORNO CONVEZIONE-VAPORE GAS 20GN1/1, 20GN2/1 Liv. 3 - 4
20GN1/1, 20GN2/1 Lev. 3 - 4, GAS STEAM - CONVECTION OVEN

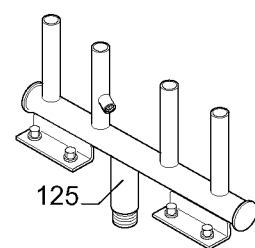


FORNO CONVEZIONE-VAPORE GAS 20GN1/1, 20GN2/1 Liv. 3 - 4
20GN1/1, 20GN2/1 Lev. 3 - 4, GAS STEAM - CONVECTION OVEN



| 101 = Boiler burner injector | | | | | |
|------------------------------|--------|-----------------|--------------|------|--|
| 0A2174 | ∅ 2,65 | 3+ | 28-30/37mbar | aceg | |
| 0A2081 | ∅ 2,30 | 3B/P | 50mbar | aceg | |
| 059632 | ∅ 4,05 | 2H,2E+ | 20mbar | aceg | |
| 005045 | ∅ 4,30 | 2L | 25mbar | aceg | |
| 059423 | ∅ 4,60 | 2ELL | 20mbar | aceg | |
| 059382 | ∅ 2,50 | 3+ 28-30/37mbar | | bdfh | |
| 0A2083 | ∅ 2,20 | 3B/P | 50mbar | bdfh | |
| 005243 | ∅ 4,10 | 2H,2E+ | 20mbar | bdfh | |
| 005045 | ∅ 4,30 | 2L | 25mbar | bdfh | |
| 002864 | ∅ 4,50 | 2ELL | 20mbar | bdfh | |
| 059383 | ∅ 2,80 | G.P.L. | 25mbar | I | |
| 002979 | ∅ 3,80 | G.N. | | I | |

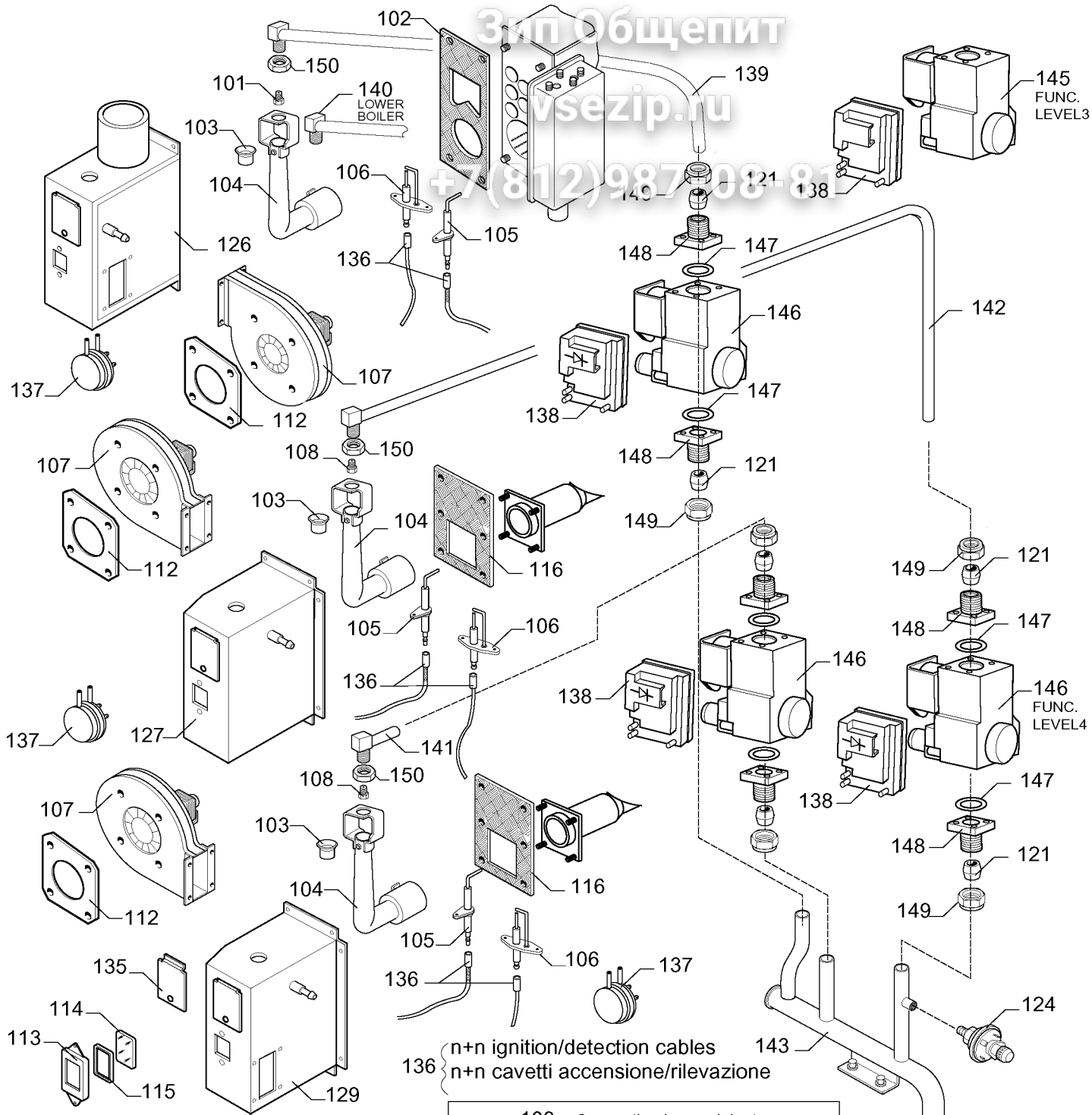
| 108 = Convection burner injector | | | | | |
|----------------------------------|--------|-----------------|--------------|------|--|
| 0A2081 | ∅ 2,30 | 3+ | 28-30/37mbar | aceg | |
| 0A2102 | ∅ 2,00 | 3B/P | 50mbar | aceg | |
| 0A5170 | ∅ 3,50 | 2H,2E+ | 20mbar | aceg | |
| 0A2299 | ∅ 3,70 | 2L | 25mbar | aceg | |
| 002866 | ∅ 3,90 | 2ELL | 20mbar | aceg | |
| 059358 | ∅ 2,85 | 3+ 28-30/37mbar | | bdfh | |
| 0A2104 | ∅ 2,40 | 3B/P | 50mbar | bdfh | |
| 002864 | ∅ 4,50 | 2H,2E+ | 20mbar | bdfh | |
| 003951 | ∅ 4,70 | 2L | 25mbar | bdfh | |
| 0A2106 | ∅ 5,00 | 2ELL | 20mbar | bdfh | |
| 0A2570 | ∅ 2,60 | G.P.L. | 25mbar | I | |
| 002979 | ∅ 3,80 | G.N. | | I | |



FORNO CONVEZIONE-VAPORE GAS 20GN1/1, 20GN2/1 Liv. 3 - 4
20GN1/1, 20GN2/1 Lev.3 - 4, GAS STEAM - CONVECTION OVEN

SIT 830/836-TANDEM Gas Valve , till to SN130...

3ip Общепит
vsezip.ru
+7(812)987008-81

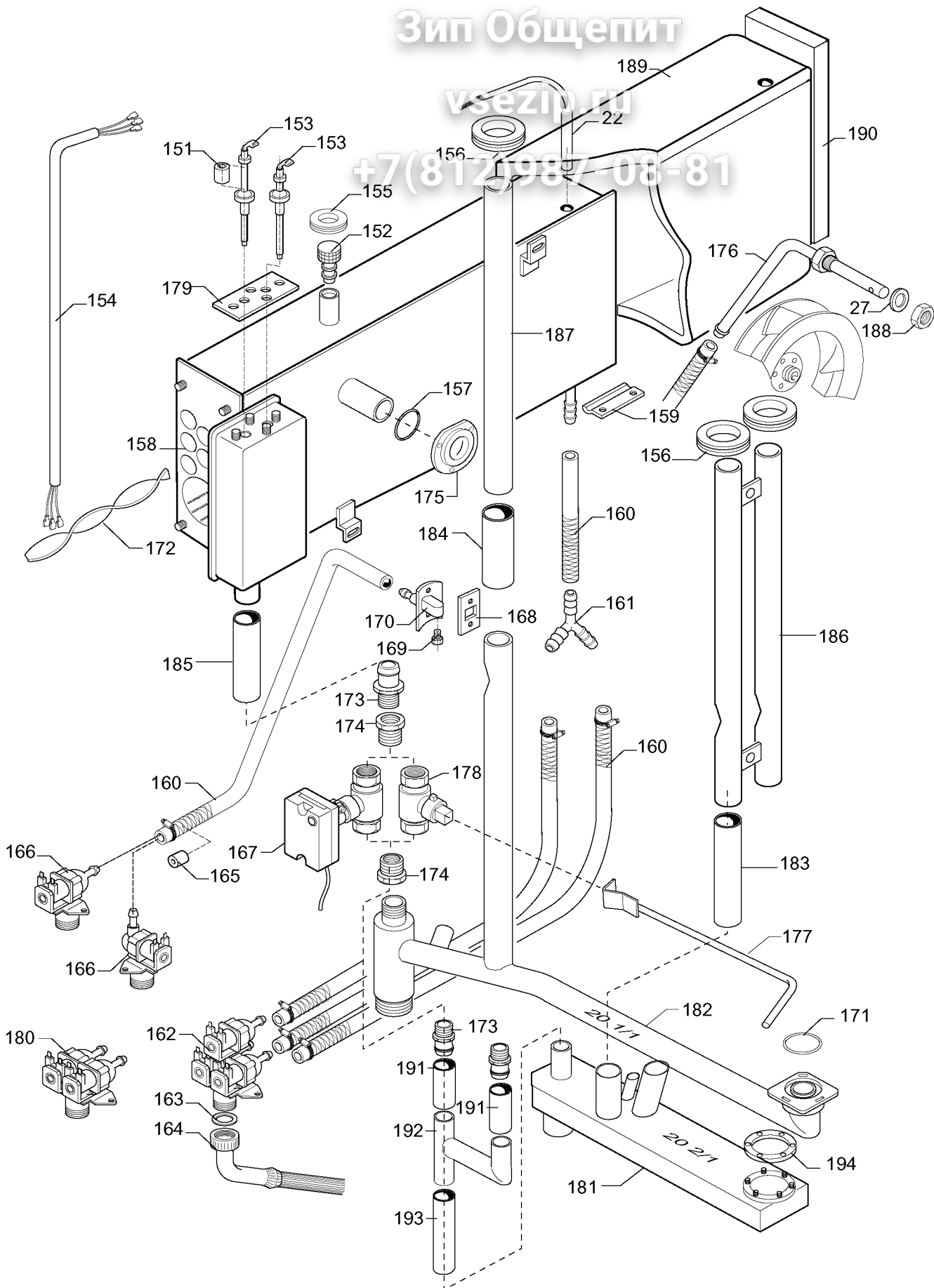


| 101 = Boiler burner injector | | | | |
|------------------------------|--------|-----------------|--------|--|
| 059382 | ∅ 2,50 | 3+ 28-30/37mbar | acgbdh | |
| 0A2083 | ∅ 2,20 | 3B/P 50mbar | acgbdh | |
| 002979 | ∅ 3,80 | 2H,2E+ 20mbar | acgbdh | |
| 0A2306 | ∅ 4,00 | 2L 25mbar | acgbdh | |
| 0A2112 | ∅ 4,40 | 2ELL 20mbar | acgbdh | |
| 059383 | ∅ 2,80 | G.P.L. 25mbar | I | |
| 002979 | ∅ 3,80 | G.N. | I | |

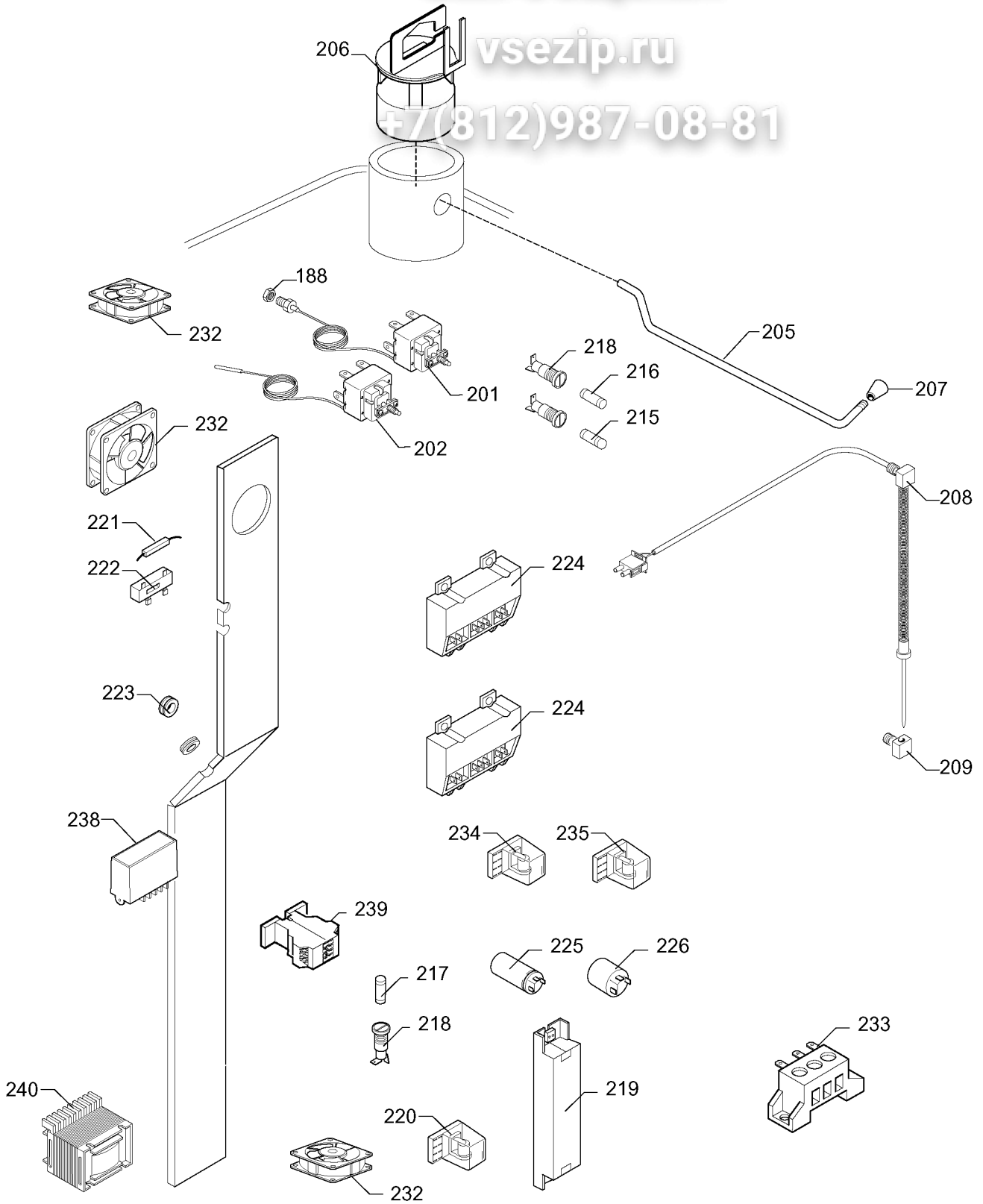
| 108 = Convection burner injector | | | | |
|----------------------------------|--------|-----------------|-----|--|
| 0A2475 | ∅ 2,25 | 3+ 28-30/37mbar | acg | |
| 0A2301 | ∅ 1,95 | 3B/P 50mbar | acg | |
| 002782 | ∅ 3,40 | 2H,2E+ 20mbar | acg | |
| 059359 | ∅ 3,60 | 2L 25mbar | acg | |
| 002979 | ∅ 3,80 | 2ELL 20mbar | acg | |
| 0A2570 | ∅ 2,60 | G.P.L. 25mbar | I | |
| 002979 | ∅ 3,80 | G.N. | I | |
| 059358 | ∅ 2,85 | 3+ 28-30/37mbar | bdh | |
| 058980 | ∅ 2,45 | 3B/P 50mbar | bdh | |
| 005045 | ∅ 4,30 | 2H,2E+ 20mbar | bdh | |
| 002864 | ∅ 4,50 | 2L 25mbar | bdh | |
| 059040 | ∅ 4,80 | 2ELL 20mbar | bdh | |

FORNO CONVEZIONE-VAPORE GAS 20GN1/1, 20GN2/1 Liv. 3 - 4
20GN1/1, 20GN2/1 Lev.3 - 4, GAS STEAM - CONVECTION OVEN

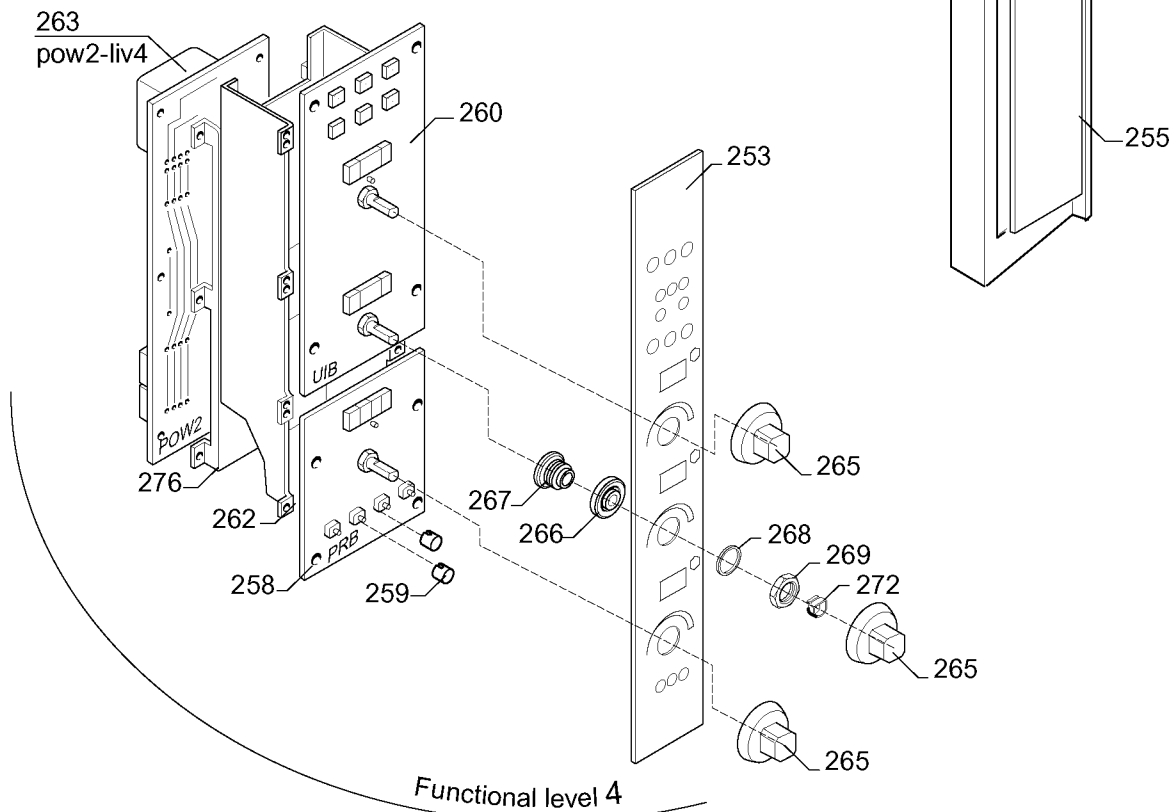
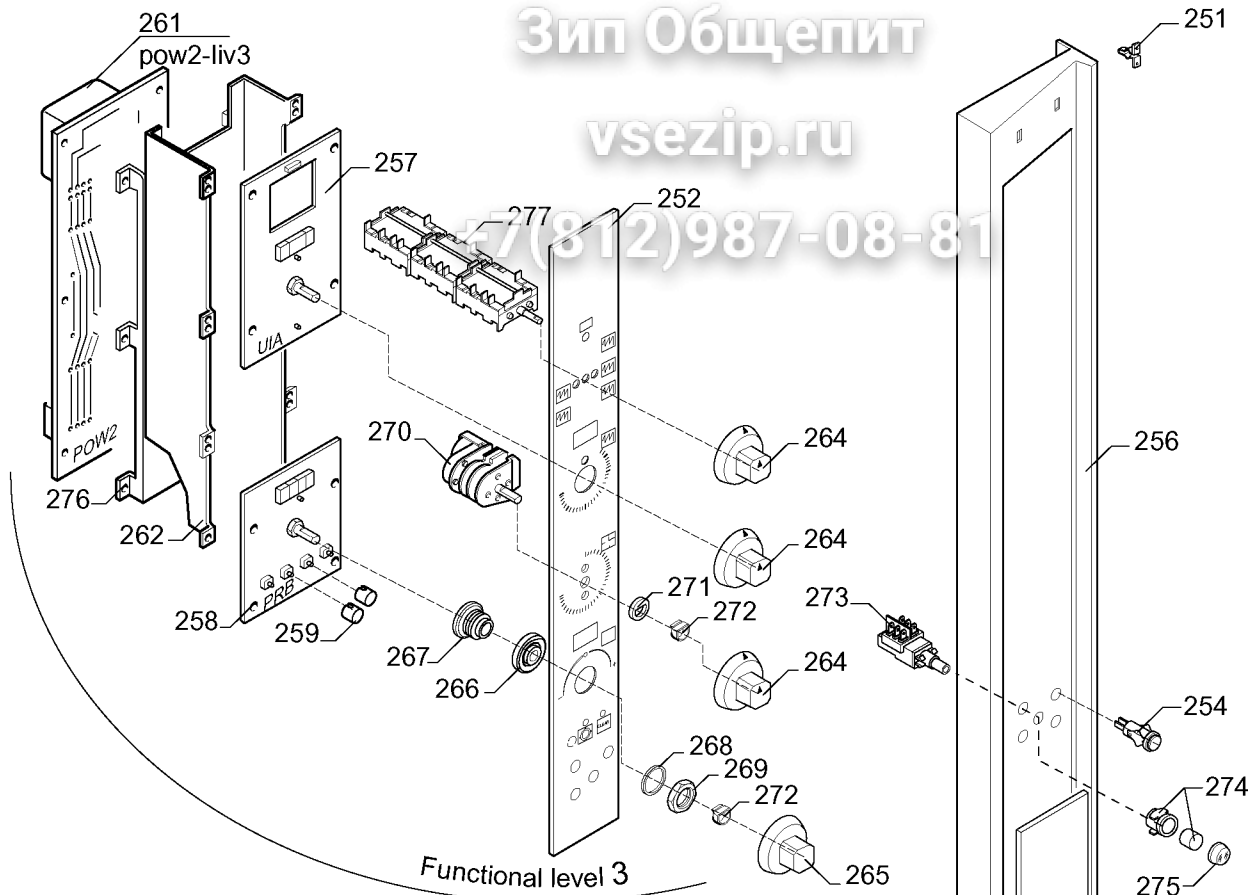
HONEYWELL VK4105 ... Gas Valve version,
from SN 130...



FORNO CONVEZIONE-VAPORE GAS 20GN1/1, 20GN2/1 Liv.3 - 4
20GN1/1, 20GN2/1 Lev.3 - 4, GAS STEAM - CONVECTION OVEN



FORNO CONVEZIONE-VAPORE GAS 20GN1/1, 20GN2/1 Liv. 3 - 4
20GN1/1, 20GN2/1 Lev. 3 - 4, GAS STEAM - CONVECTION OVEN



FORNO CONVEZIONE-VAPORE GAS 20GN1/1, 20GN2/1 Liv. 3 - 4
20GN1/1, 20GN2/1 Lev. 3 - 4, GAS STEAM - CONVECTION OVEN