

Modular Platform

Viale Treviso, 15
33170 Pordenone - Italy
Fax: +39 0434-380577

PENTOLE GAS DIRETTE 100/150Lt N900
GAS BOILING PAN DIRECT HEATING 100/150Lt N900**+7(812)987-08-81**

PNC	Model	Ref.	Page	Notes
200275	KPD/G10	a	1 ... 8	100Lt Gas Boiling Pan Direct Heating
200276	KPD/G15	b	1 ... 8	150Lt Gas Boiling Pan Direct Heating
200277	KPD/G15A	c	1 ... 8	150Lt Gas Boiling Pan Direct Heating Autoclave

Pag. 1 - 2 - 3 - 5
Pag. 4
Pag. 6 - 7 - 8

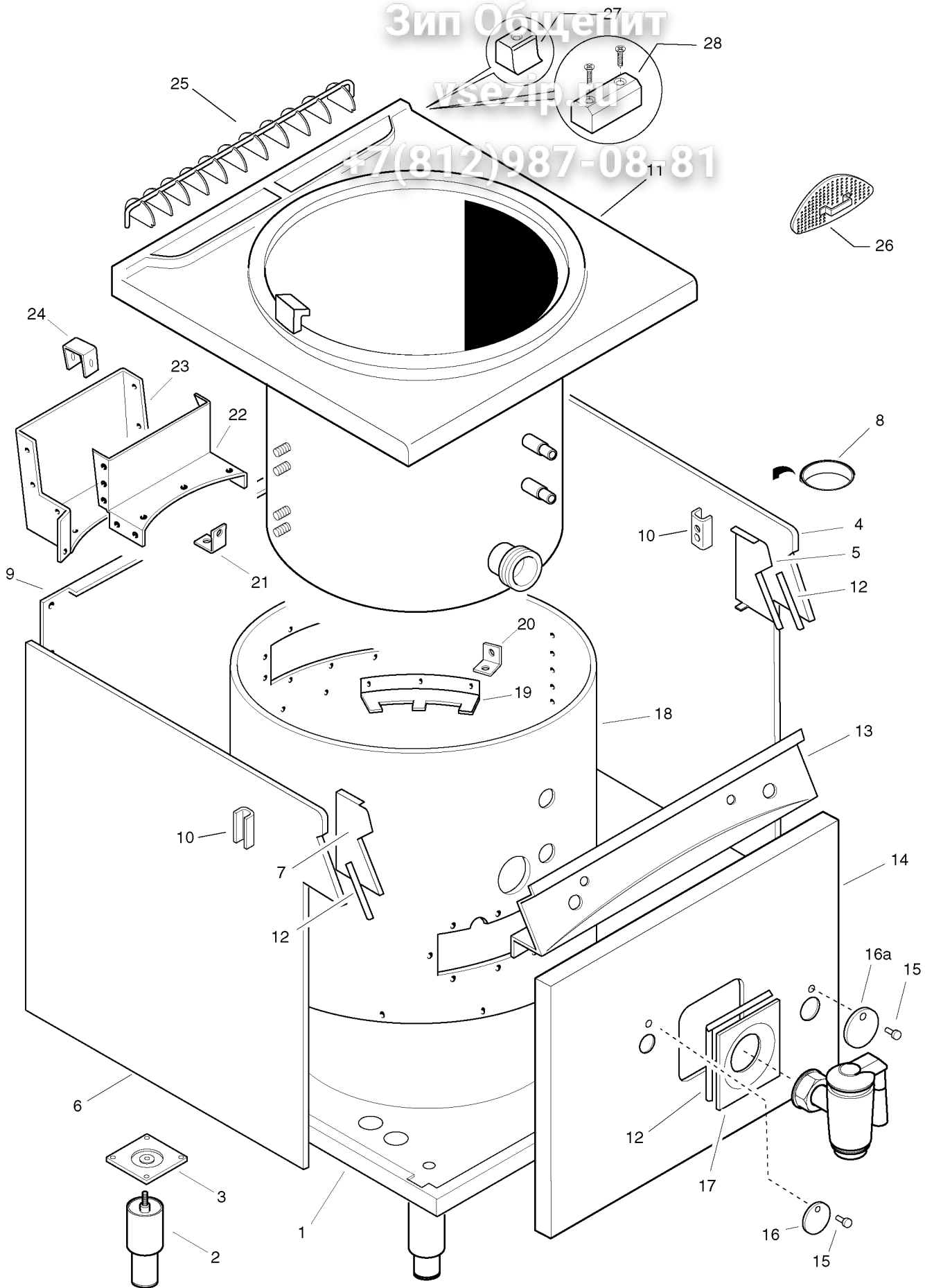
Index

Frame and components
Pilot / Burner Nozzle
Spare parts list

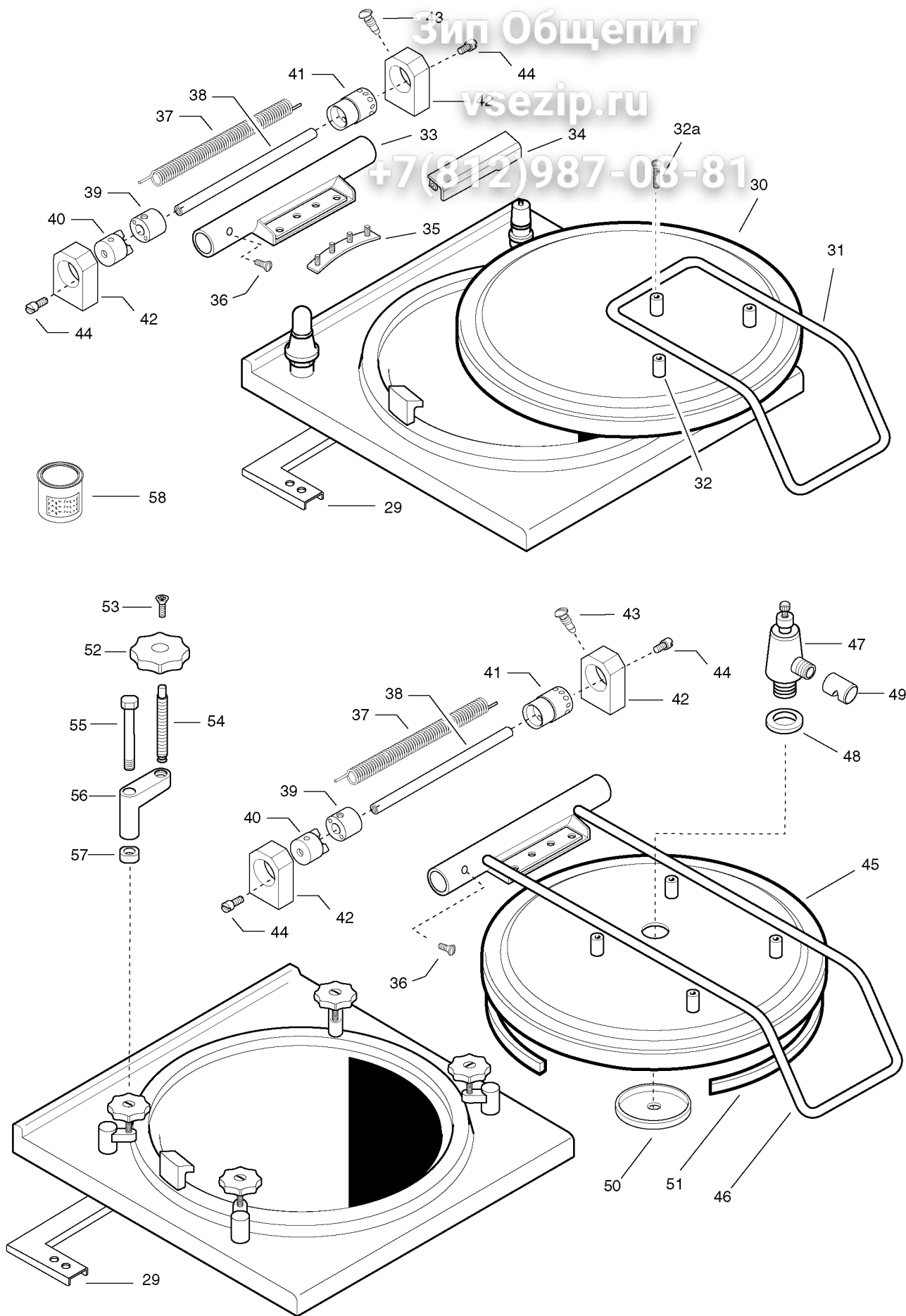
Indice

Struttura e componenti
Tabelle ugelli
Lista ricambi

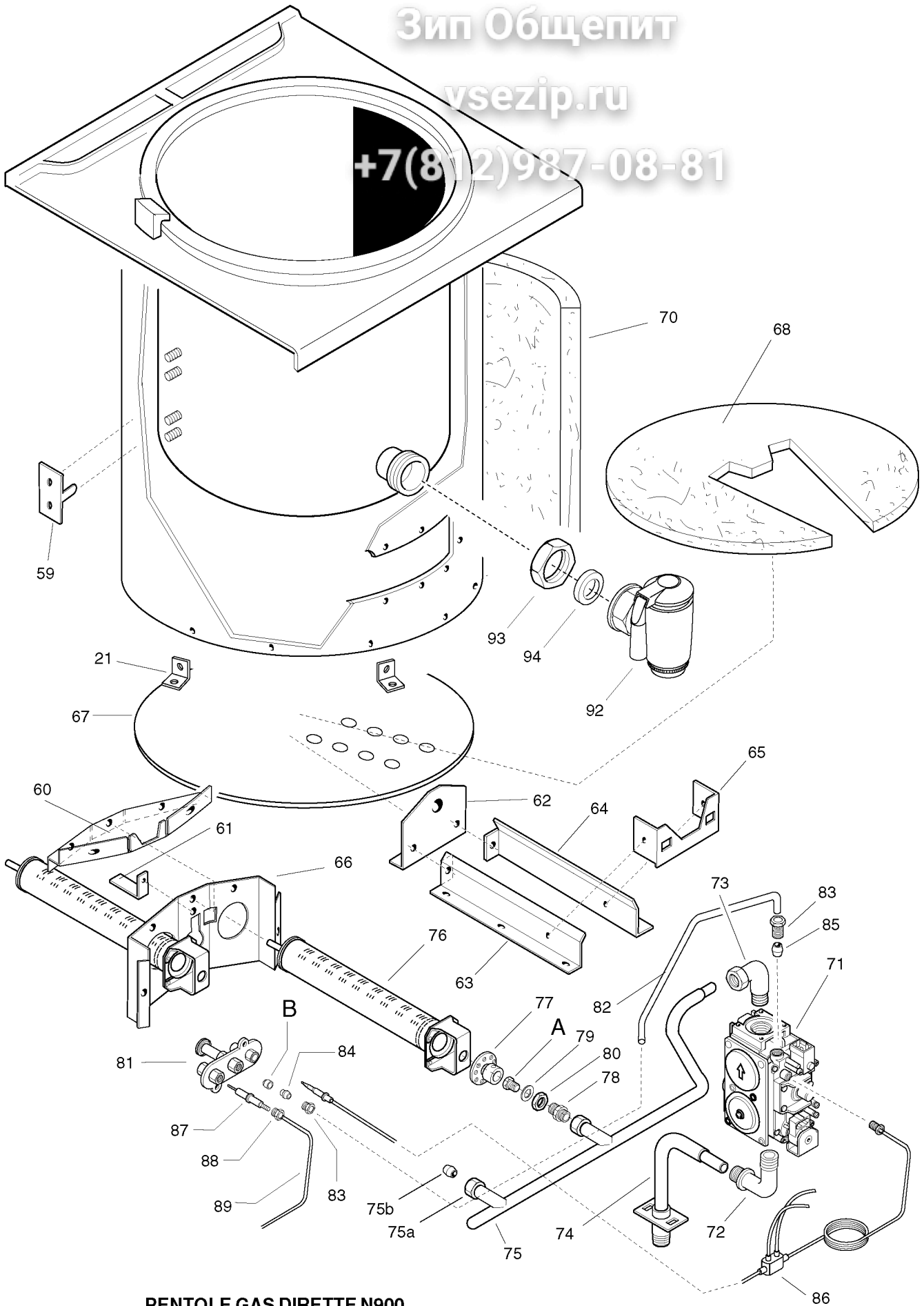
Brand / Marchio : Zanussi
Factory code: 7PDN



PENTOLE GAS DIRETTE N900
GAS BOILING PAN DIRECT HEATING N900



PENTOLE GAS DIRETTE N900
GAS BOILING PAN DIRECT HEATING N900



PENTOLE GAS DIRETTE N900
GAS BOILING PAN DIRECT HEATING N900

A - Ugello bruciatore / Burner nozzle 100LT			
6DGT Code	Ref. / Notes		
059363	ø2.50	2H/2E+	G20 20mbar
0C0747	ø2.70	2ELL	G25 20mbar
002268	ø2.60	2L	G25 25mbar
054127	ø1.65	3+3B/P	G30/31 28-30/37mbar
056470	ø1.45	3B/P	G30/31 50mbar
054034	ø3.00	No CE	G20 10mbar

Зип Общепит

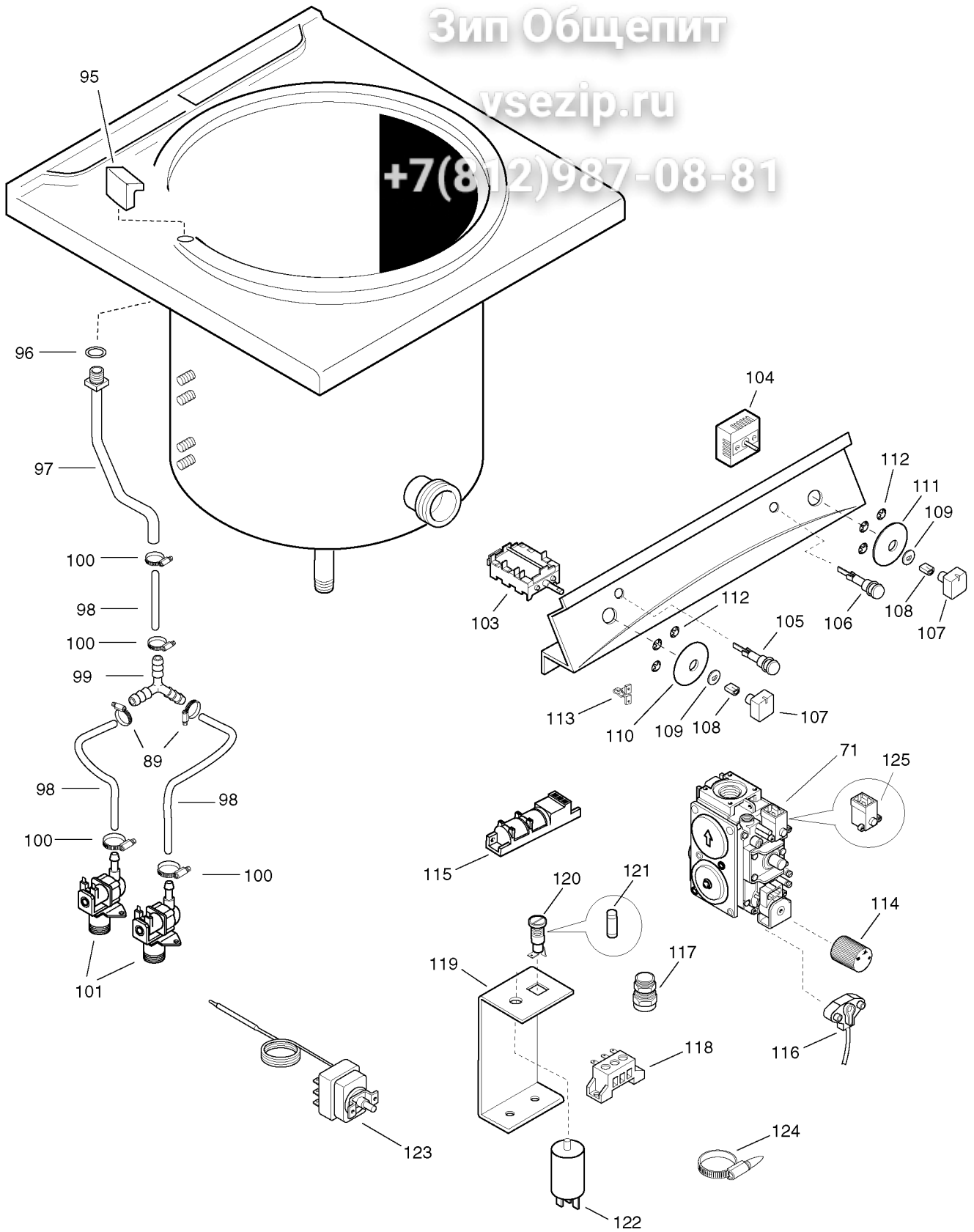
vsezip.ru

(812)987-08-81

A - Ugello bruciatore / Burner nozzle 150LT			
6DGT Code	Ref. / Notes		
002268	ø2.60	2H/2E+	G20 20mbar
006419	ø2.90	2ELL	G25 20mbar
003371	ø2.75	2L	G25 25mbar
003723	ø1.75	3+3B/P	G30/31 28-30/37mbar
003722	ø1.55	3B/P	G30/31 50mbar
054084	ø3.00	No CE	G20 10mbar

B - Ugello pilota / Pilot nozzle			
6DGT Code	Ref./ Notes		
053670	n°41	2H/2E+	G20 20mbar
053670	n°41	2ELL	G25 20mbar
053670	n°41	2L	G25 25mbar
053667	n°30	3+3B/P	G30/31 28-30/37mbar
053667	n°30	3B/P	G30/31 50mbar
053670	n°41	No CE	G20 10mbar

**PENTOLE GAS DIRETTE N900
GAS BOILING PAN DIRECT HEATING N900**



PENTOLE GAS DIRETTE N900
GAS BOILING PAN DIRECT HEATING N900