

10 GN 1/1 AND 10 GN 2/1 GAS STEAM - CONVECTION OVEN
FORNO CONVEZIONE - VAPORE GAS 10 GN 1/1 E 10 GN 2/1

+7(812)987-08-81

PNC	Model	Ref.	Page	Notes
240100	FCV/G 10 1/1	a	1-2-3-4	Zanussi - std Level/Livello 3
240103	FCV/G 10 1/1	b	1-2-3-4	Zanussi - town gas Level/Livello 3
240104	FCV/G 10 2/1	c	1-2-3-4	Zanussi - std Level/Livello 3
240117	FCV/G 10 1/1	d	1-2-3-4	Zanussi - Japan 60Hz Level/Livello 3
240118	FCV/G 10 2/1	e	1-2-3-4	Zanussi - Japan 60Hz Level/Livello 3

Index

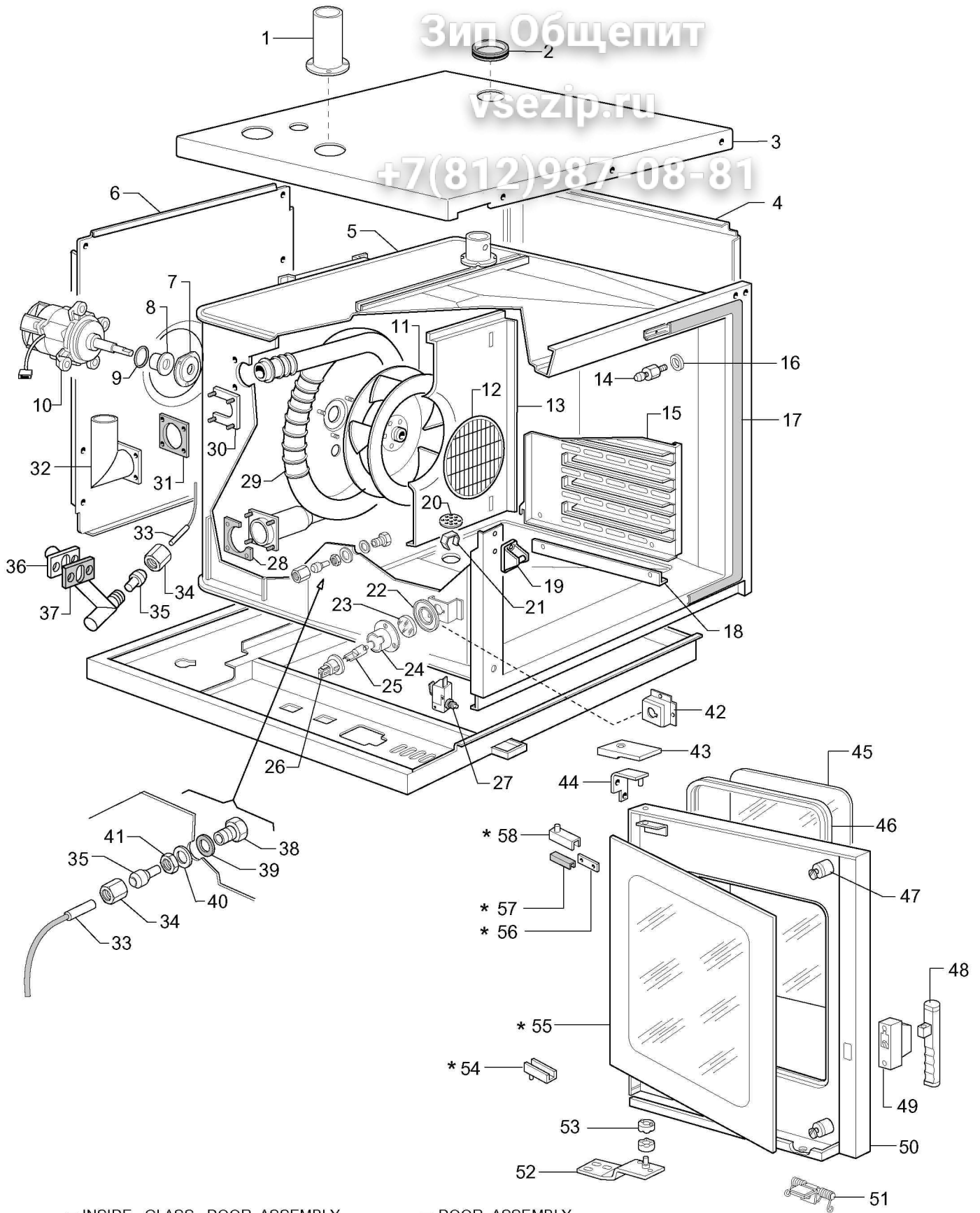
Pag. 1	Oven cabinet and door
2	Gas components
3	Water system
4	Electrical components
5-10	Spare parts list

Indice

Cella forno e porta
Componenti gas
Impianto idraulico
Componenti elettrici
Lista ricambi

Brand / Marchio : Z
Factory code: 9731

OS/DOC

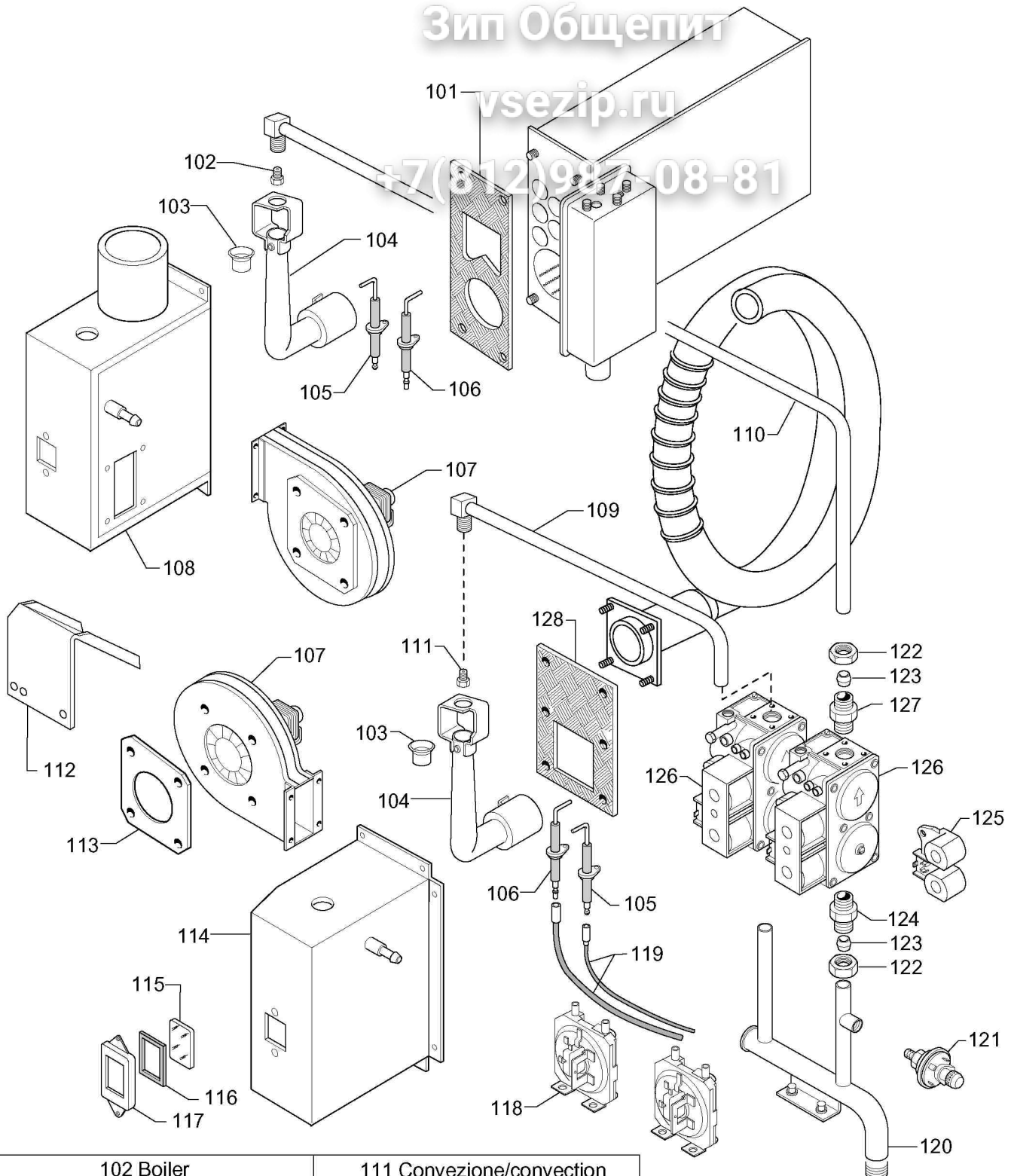


* 59 — INSIDE GLASS DOOR ASSEMBLY
 ASSIEME VETRO INTERNO PORTA

60 — DOOR ASSEMBLY
 ASSIEME PORTA

10 GN 1/1 AND 10 GN 2/1 GAS STEAM-CONVECTION OVEN
 FORNO CONVEZIONE-VAPORE GAS 10 GN 1/1 E 10 GN 2/1

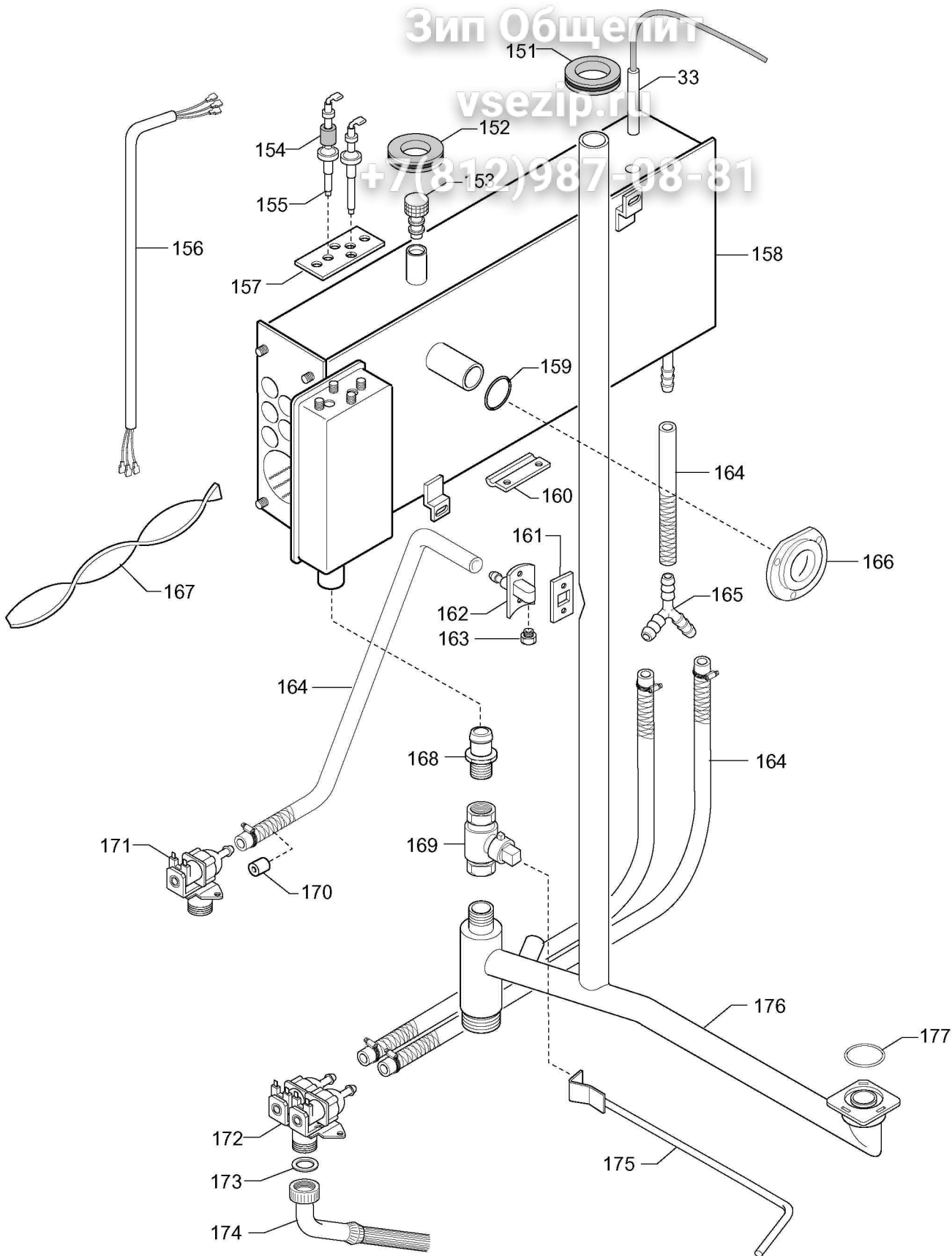
LEVEL / LIVELLO 3



102 Boiler				111 Convezione/convection			
59359	∅ 3,60 G.N.	cat."H-E-L"	ad	59359	∅ 3,60 G.N.	cat."H-E-L"	ad
59528	∅ 3,95 G.N.	cat."H-E-L"	ce	02864	∅ 4,50 G.N.	cat."H-E-L"	ce
02866	∅ 3,90 G.N.	cat. "LL"	ad	02866	∅ 3,90 G.N.	cat. "LL"	ad
02863	∅ 4,35 G.N.	cat. "LL"	ce	A2305	∅ 5,20 G.N.	cat. "LL"	ce
A2081	∅ 2,30 G.P.L.	30-37 mbar	ad	A2081	∅ 2,30 G.P.L.	30-37 mbar	ad
59382	∅ 2,50 G.P.L.	30-37 mbar	ce	59358	∅ 2,85 G.P.L.	30-37 mbar	ce
A2102	∅ 2,00 G.P.L.	50 mbar	ad	A2102	∅ 2,00 G.P.L.	50 mbar	ad
A2083	∅ 2,20 G.P.L.	50 mbar	ce	58980	∅ 2,45 G.P.L.	50 mbar	ce
A5225	∅ 9,00 G 110		b	A5225	∅ 9,00 G 110		b
04021	∅ 7,50 G 120		b	04021	∅ 7,50 G 120		b

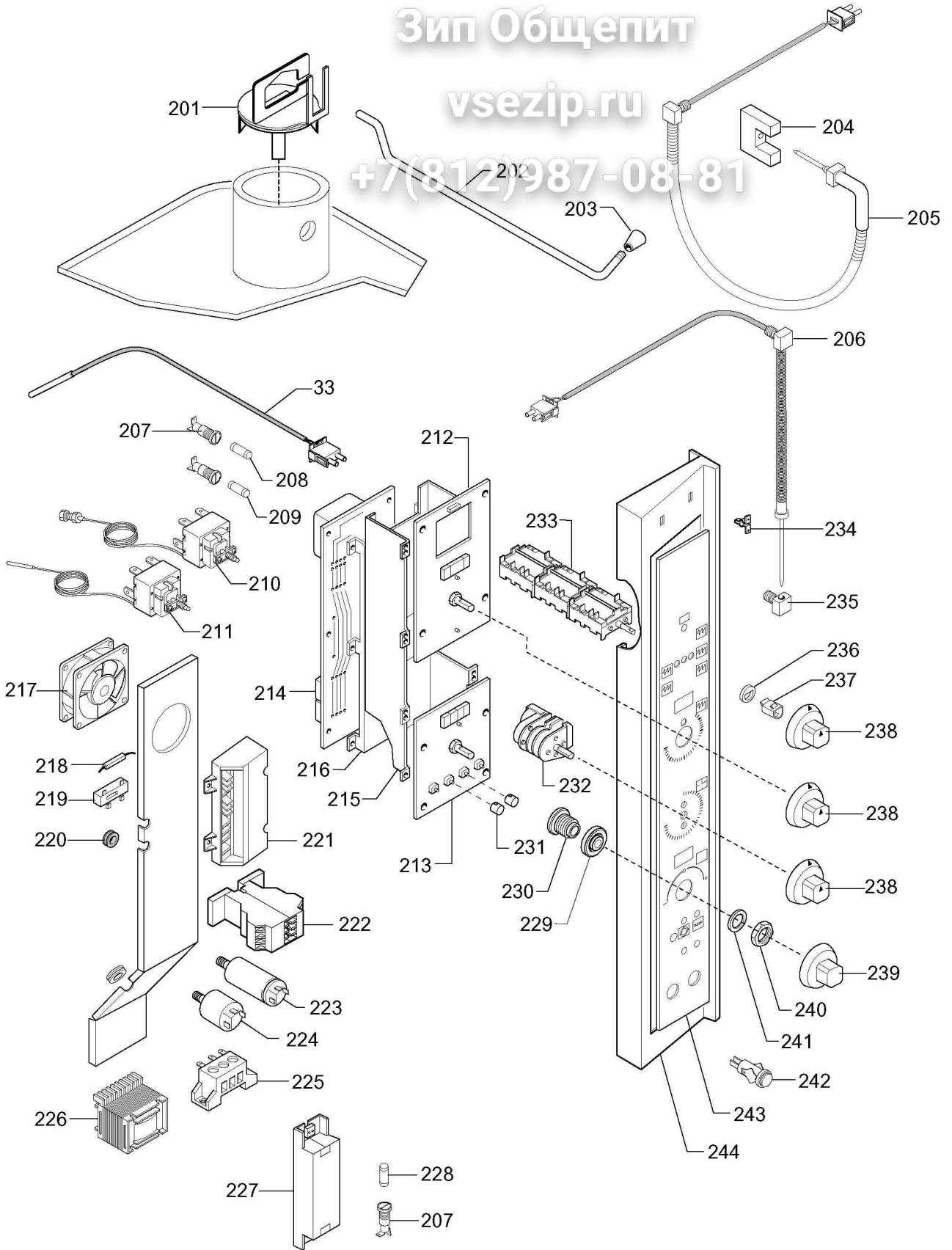
10 GN 1/1 AND 10 GN 2/1 GAS STEAM-CONVECTION OVEN
 FORNO CONVEZIONE-VAPORE GAS 10 GN 1/1 E 10 GN 2/1

LEVEL / LIVELLO 3



10 GN 1/1 AND 10 GN 2/1 GAS STEAM-CONVECTION OVEN
FORNO CONVEZIONE-VAPORE GAS 10 GN 1/1 E 10 GN 2/1

LEVEL / LIVELLO 3



10 GN 1/1 AND 10 GN 2/1 GAS STEAM-CONVECTION OVEN
FORNO CONVEZIONE-VAPORE GAS 10 GN 1/1 E 10 GN 2/1

LEVEL / LIVELLO 3