

Зип Ощепит

vsezip.ru

+7(812)987-08-81

# HOOD TYPE MACHINE

INSULATED HOOD  
ELECTROMECHANICAL SWITCHES

TYPE: 110H

Accessories

BREAK TANK

BOOSTER PUMP

DVGW

WATER SOFTNER

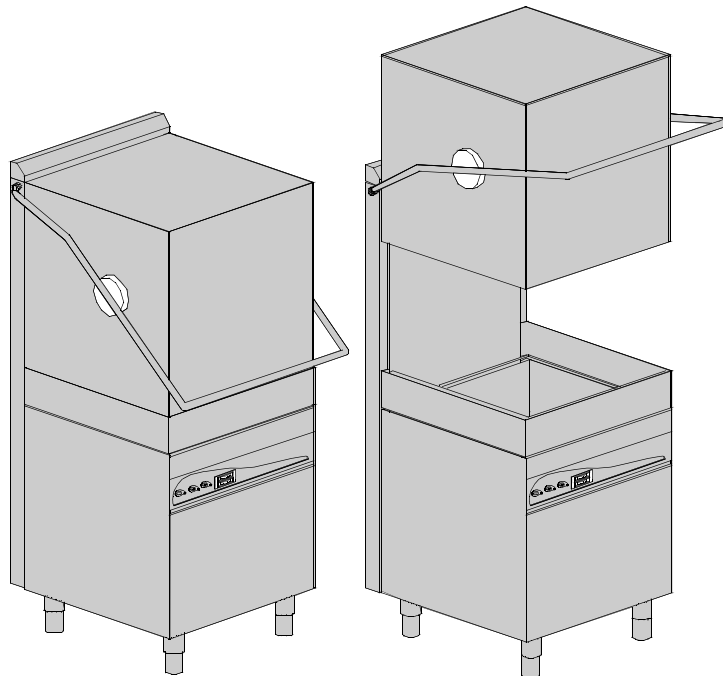
DETERGENT DISPENSER

DRAIN PUMP

---

## Spare parts manual

---



## INFORMAZIONI GENERALI

Questo catalogo serve per richiedere con esattezza le parti di ricambio

Nelle ordinazioni indicare:

1) il numero dei codici dei particolari seguito dalla descrizione e la quantità desiderata;

2) Il codice alfa-numerico presente nella seconda colonna della tabella ;

**I disegni delle parti di ricambio sono solo indicativi e non rappresentano il pezzo in oggetto.**

**I dati contenuti in questo catalogo sono indicativi e possono essere soggetti a modifiche senza impegno di preavviso.**

## ALLGEMEINE INFORMATIONEN

Dieser Ersatzteilkatalog dient zur genauen Angabe der Teile bei Ersatzteilbestellungen.

Bei Ersatzbestellung ist folgendes anzugeben:

1) Die Bestellnummer der Ersatzteile mit der entsprechenden Beschreibung genaue Menge;

2) Der alpha-numerischer Code auf der zweiten Reihe in dein S clud;

**Die Zeichnungen der Ersatzteile sind nur als Hinweise gedacht und stellen nicht das betroffene Teil dar.**

**Bei den im Katalog angeführten Daten handelt es sich um Anhaltsdaten, die jederzeit, ohne Vorankündigung, geändert werden können.**

## GENERAL INFORMATION

The present spare parts order exactly the right spare parts

When ordering specify:

1) the part's code number followed by its description and quantity needed;

2) The alpha-numeric code is in the second column in the chart;

**Spare parts drawings are general and do not represent the part.**

**The contents of this catalogue are general and can undergo changes without prior notice.**

## INFORMACIONES GENERALES

El presente catálogo sirve para pedir con exactitud las partes de repuesto

En los pedidos se debe indicar:

1) el número de código de la parte y a continuación la descripción cantidad deseada;

2) El código alfanumerico presente en la segnada columna de la tabla;

**Los diseños de las partes de recambio son solo indicativos y no representan la pieza en cuestión.**

**Los datos contenidos en el presente catálogo son indicativos y pueden modificarse sin aviso previo.**

## INFORMATIONS GENERALES

Ce catalogue permet de commander correctement les pièces détachées

Les commandes doivent être passés en indiquant:

1) le numero de code des pièces détachés suivi de leur description quantité désirée;

2) le code alphanumérique dans la deuxième colonne du tableau;

**Les plans des pièces détachées sont fournis seulement à titre indicatif et ne représentent pas la pièce concernée.**

**Les données de ce catalogue sont citées seulement à titre indicatif et peuvent être l'objet de modifications sans avis préalable.**

ESEMPIO  
EXAMPLE  
EXEMPLE  
BEISPIEL

Rif.	Codici
MODULE:Particolari	
10505	540903
10510	540908
10515	15065/A
10520	540086
10525	540028

 Note

Tutte le informazioni riportate si intendono aggiornate alla data di stampa. Il Produttore si riserva il diritto di apportare qualsiasi modifica richiesta dallo sviluppo evolutivo dei suddetti prodotti.

Per la sicurezza, la garanzia, l'affidabilità ed il valore della lavastoviglie usa solo ricambi originali.

 Attenzione

Questo libretto è parte integrante della lavastoviglie e, in caso di passaggio di proprietà, deve essere consegnato al nuovo acquirente.

 Note

The information contained herein is valid at the time of going to print. The Company reserves the right to make any changes required by the future development of the above-mentioned products.

For your safety, as well as to preserve the warranty reliability and worth of your dishwashers, use original spare parts only.

 Warning

This manual forms an integral part of the dishwashers and - if a transfer of title occurs - must always be handed over to the new owner.

 Remarque

Toutes les informations contenues dans ce manuel s'entendent mises à jour à la date d'impression. En raison du développement constant de ses produits, usine se réserve le droit d'apporter à tout instant les modifications qu'elle jugera utiles.

Pour la sécurité, la garantie, la fiabilité et la valeur de votre lavevaisselles n'utilisez que des pièces de rechange d'origine.

 Attention

Ce manuel doit être considéré comme partie intégrante de la lavevaisselles, en cas de transfert de propriété, doit toujours être remis au nouveau propriétaire.

 Hinweis

Die Der Hersteller behält sich das Recht vor, jegliche, durch eine Weiterentwicklung der genannten Produkte bedingte Änderungen vornehmen zu können.

Verwenden Sie für Ihre Sicherheit, die Garantie, die Zuverlässigkeit und den Wert Ihrer machine originale Ersatzteile.

 Achtung

Diese Betriebsanleitung ist Bestandteil des machine und muss bei seinem Weiterverkauf dem neuen Besitzer ausgehändigt werden.

vsezip.ru

+7(812)987-08-81

## 1. Spare parts

General body parts.....	7
Closing panelig.....	9
Hood insulation.....	11
Control panel and switches.....	13
Control panel and switches.....	15
Electric control components.....	17
Solenoid valve group .....	19
Solenoid valve group .....	21
Break Tank .....	23
Booster pump.....	25
DVGW .....	27
Water softner group.....	29
Rinse aid dispenser group.....	31
Boiler group .....	33
3 ways connection .....	35
Connection group .....	37

---

**Wash pump group.....39**

**Dosing detergent group.....41**

**Dosing detergent group..... 43**

**Drain pump group..... 45**

**Pressure switch group with air trap ...47**

**Turret group with rotating arms ..... 49**

## 1.1 Voltage codes

Voltage code	Voltage
A	3/N/PE~400/230V 50Hz
B	~250V 16A 50Hz
C	3/N/PE~380/220V 50Hz
D	3/PE~200V 50-60Hz
F	2/PE 220-240V 50Hz
G	3/N/PE~415/240V 50Hz
H	3/PE~230V 50Hz
I	3/PE~220V 60Hz
J	3/PE~380 50Hz
K	3/PE~400V 50Hz
L	3/PE~415V 50Hz
M	3/PE~440V 60Hz
N	3/PE~460V 60Hz
O	3/PE~480V 60Hz
P	1/N/PE~220-240V 50Hz
R	2/PE~220-230V 60Hz
S	3/N/PE~400/230V 50Hz
T	3/PE~230V 60Hz

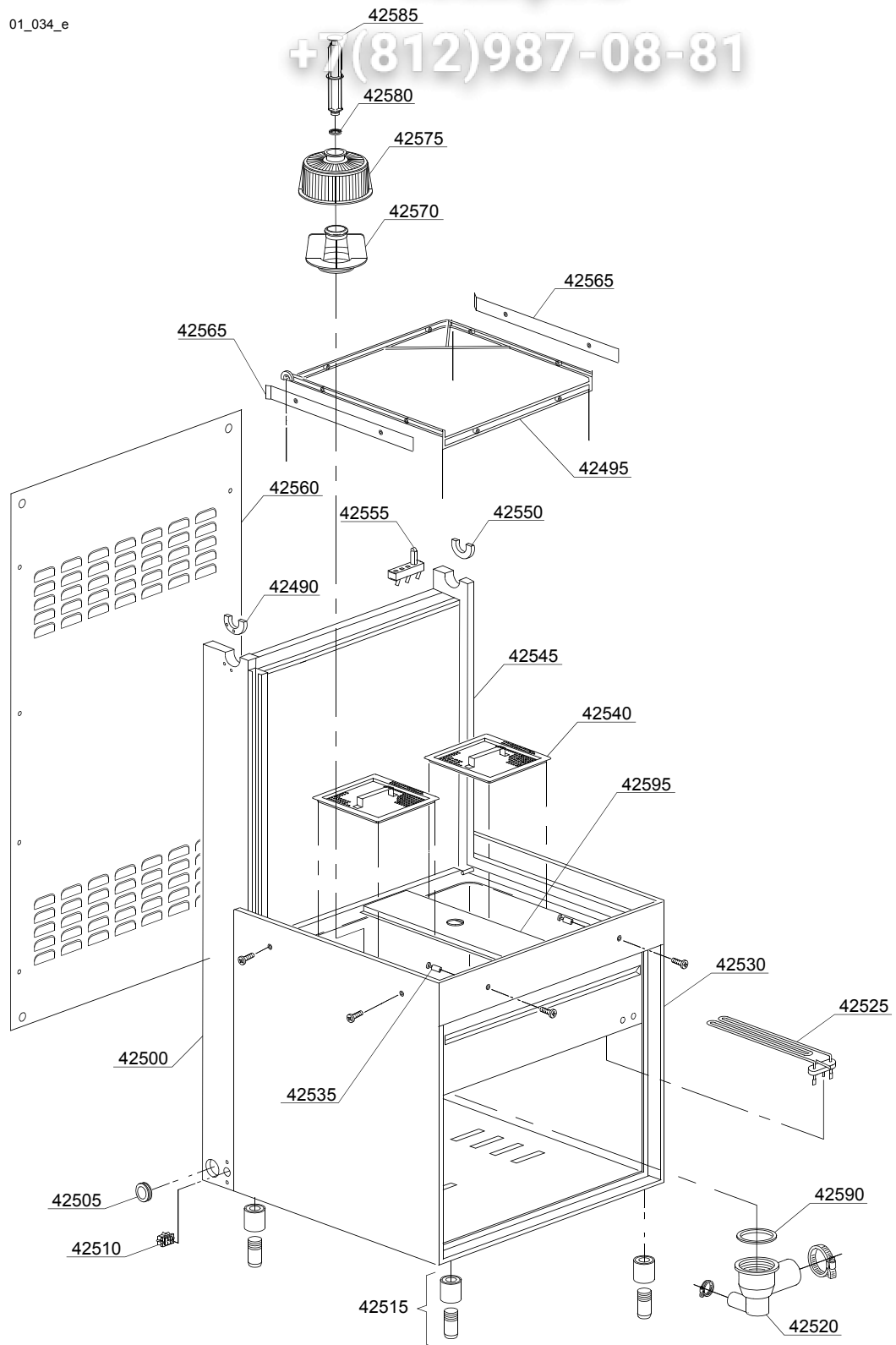
## 1.2 Product codes

Product code	Full name
Model codes	
is	INSULATED HOOD
em	ELECTROMECHANICAL SWITCHES
Type codes	
110H	110H
Accessory codes	
bt	BREAK TANK
pap	BOOSTER PUMP
dvgw	DVGW
d	WATER SOFTNER
dde	DETERGENT DISPENSER
ps	DRAIN PUMP

vsezip.ru

+7(812)987-08-81

01\_034\_e



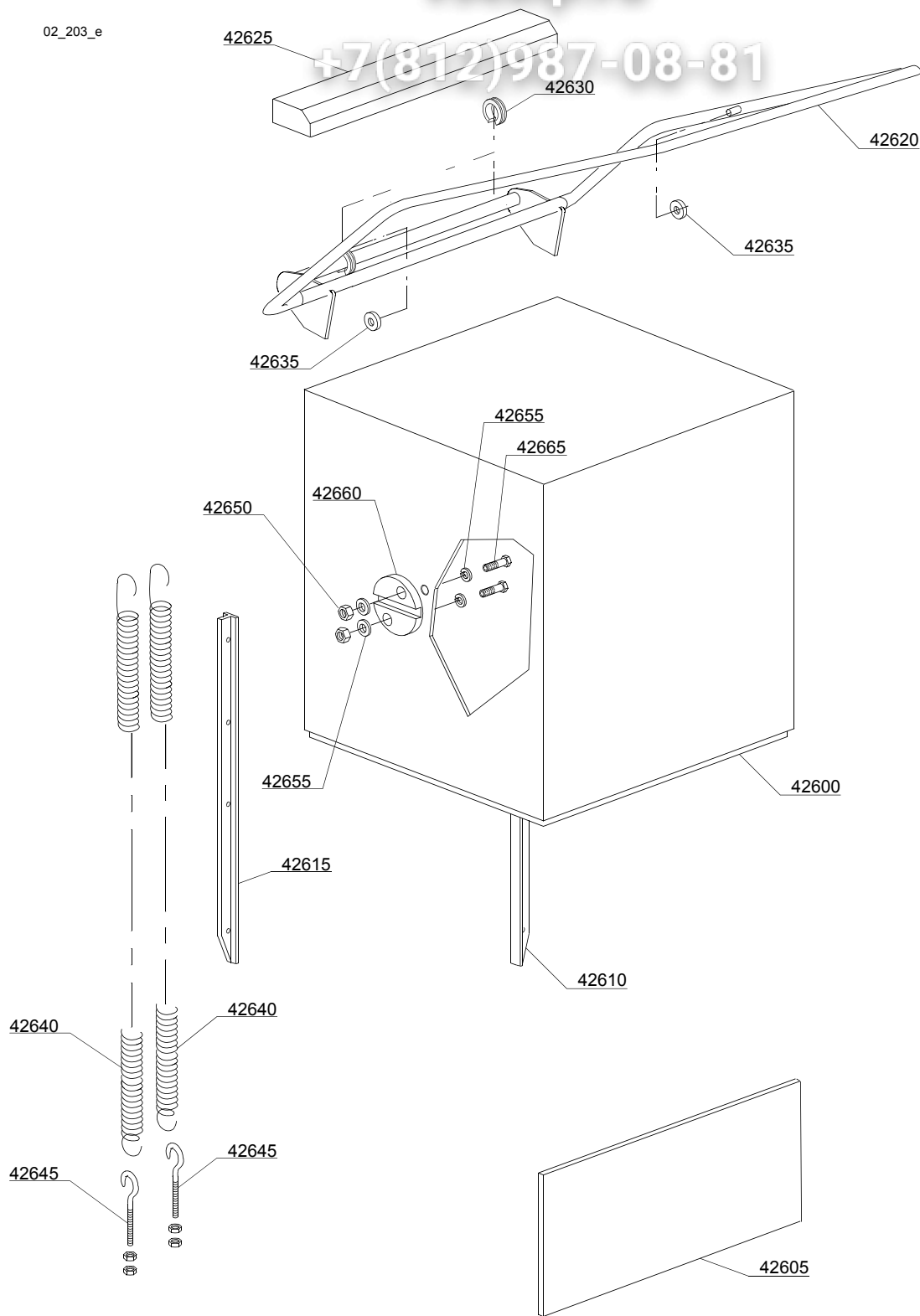
vsezip.ru

ID	P-code	Model	Type	Accessory	Voltage	Description
MODULE:General body parts						
42490	11600055		110H			Right/left slide bearing
42495	11600001		110H			Rack frame
42500	11600621		110H			Left guide rail support
42505	13324		110H			Cable screw cap
42510	15065/A		110H			Cable-fastener with screw
42515	15116		110H			Foot
42520	500606		110H			Right side scrap tray
42525	150047		110H			2,7/2,94KW 230/240V heating element
42530	76000		110H			Frame assembly
42535	11600018		110H			Basket support holder pin
42540	11600907		110H			Strainer plate
42545	11600620		110H			Right guide rail support
42550	11600055		110H			Right/left slide bearing
42555	70305		110H			Hood switch
42560	11600630		110H			Back panel
42565	10600923		110H			Guide rail
42570	500615		110H			Ferrule with filter
42575	500616		110H			Suction filter
42580	13021		110H			DEM 40 O-ring
42585	500619		110H			Overflow pipe
42590	80208		110H			95x75x3 O-ring
42595	76007		110H			Sleeper holder-filter

vsezip.ru

+7(812)987-08-81

02\_203\_e





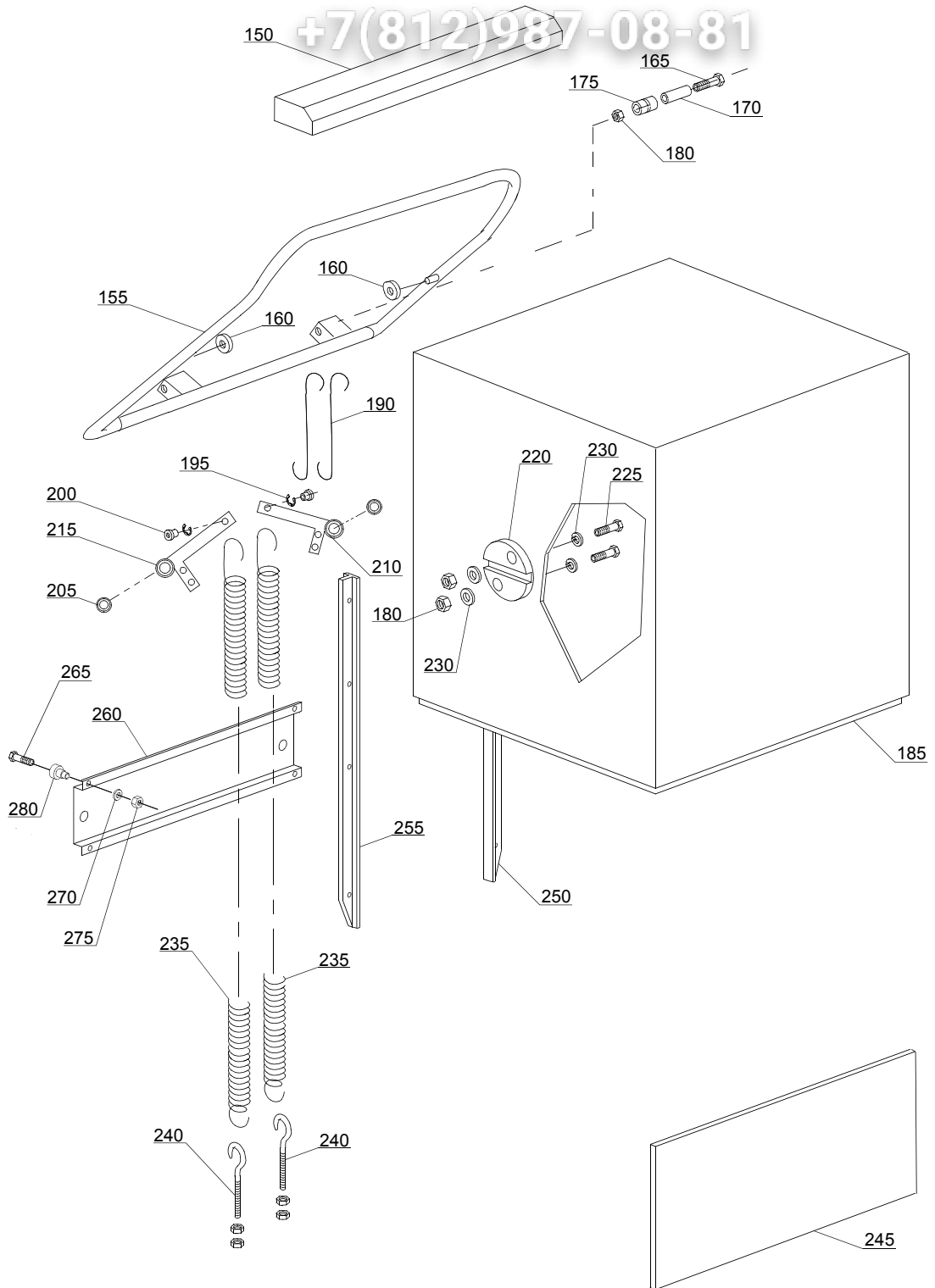
vsezip.ru

ID	P-code	Model	Type	Accessory	Voltage	Description
MODULE:Closing panelig						
42600	76001		110H			Hood, complete
42605	76003		110H			Front plate
42610	76080		110H			Guide
42615	76080		110H			Guide
42620	76075		110H			Handle
42625	11600913		110H			Guide
42630	70306		110H			Spring hook joint
42635	89919		110H			Bearing
42640	75303		110H			Hood spring
42645	10800210		110H			Hook screw
42650	11718		110H			M8 stainless steel self-locking nut
42655	13301		110H			Gasket
42660	11600036		110H			Bearing holder
42665	11216		110H			Inox screw M8x35 TE

vsezip.ru

+7(812)987-08-81

02\_202\_e

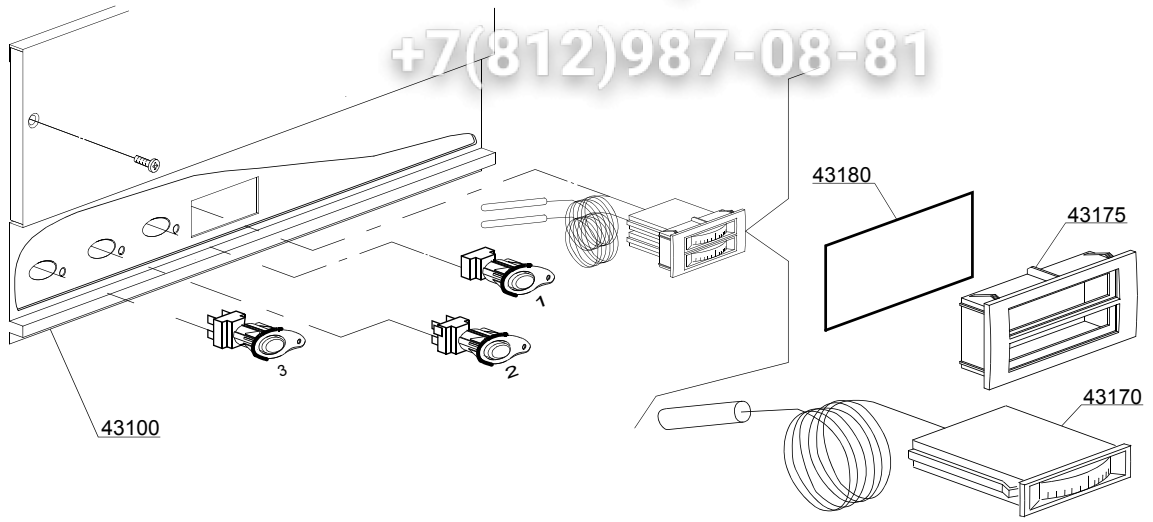


vsezip.ru

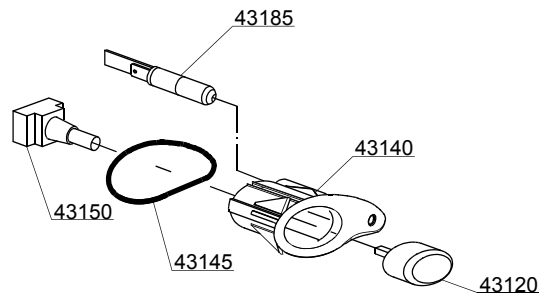
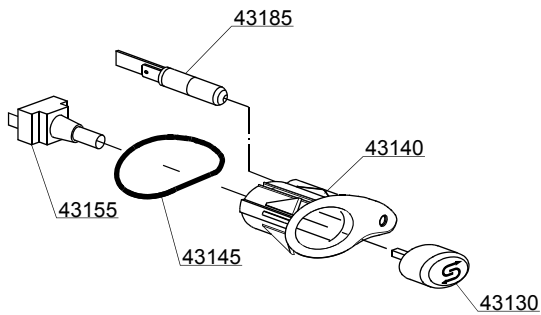
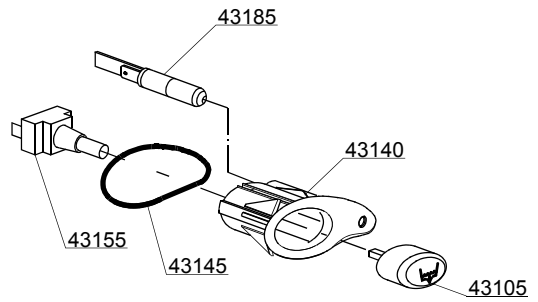
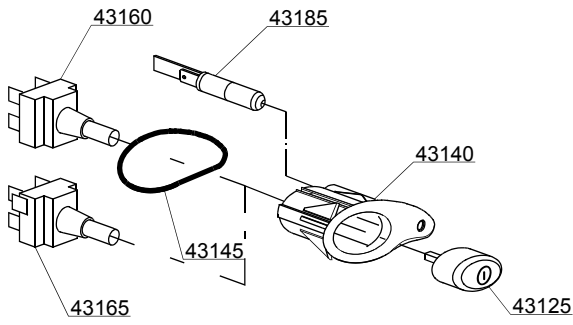
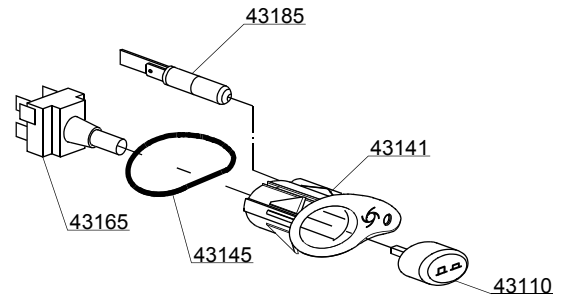
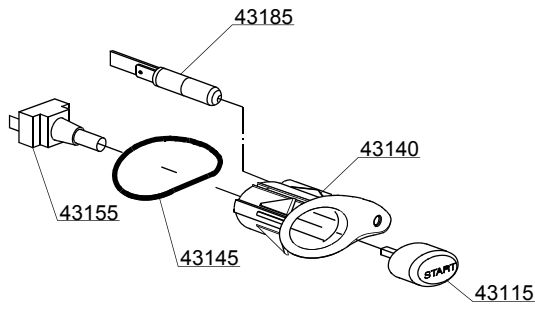
ID	P-code	Model	Type	Accessory	Voltage	Description
MODULE:Hood insulation						
150	11600913		110H			Guide
155	11600910		110H			Handle
160	89919		110H			Bearing
165	11214		110H			Screw
170	11600015		110H			Filter
175	11600014		110H			Roller
180	11718		110H			M8 stainless steel self-locking nut
185	11600902		110H			Hood, complete
190	11600013		110H			Hook
195	11823		110H			Ø10 stainless steel snap ring
200	11600038		110H			Spring bush
205	10800010		110H			Bearing
210	11600026		110H			Elbow, right
215	11600027		110H			Elbow, left
220	11600030		110H			Bearing holder
225	11110		110H			Screw
230	13301		110H			Gasket
235	70302		110H			Hood spring
240	10800210		110H			Hook screw
245	76003		110H			Lower front panel
250	11600028		110H			Guide, right
255	11600029		110H			Guide, left
260	11600624		110H			Leavers bearing for hood
265	11134		110H			M10x35 TE Stainless steel screw
270	11192		110H			M10 Stainless steel spring washer
275	11719		110H			M10 inox nut
280	10800115		110H			Lifting rod pin

vsezip.ru

+7(812)987-08-81

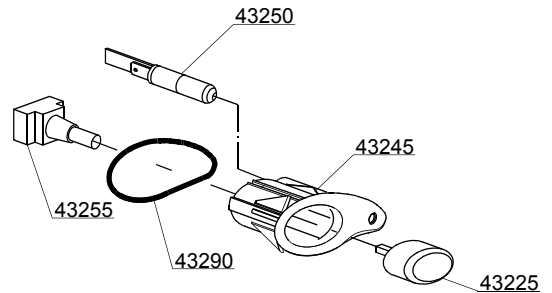
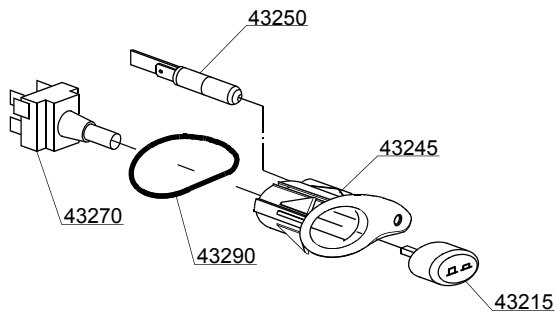
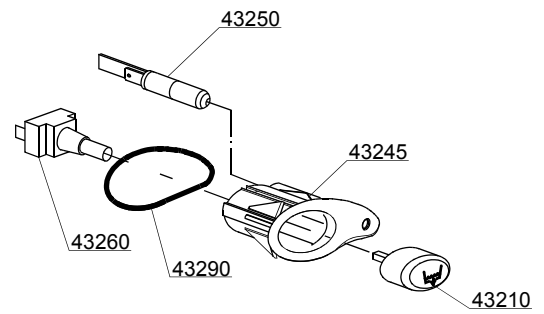
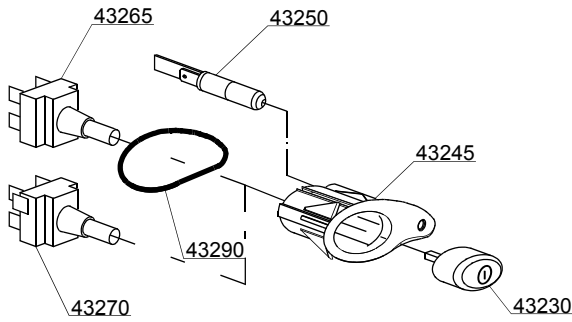
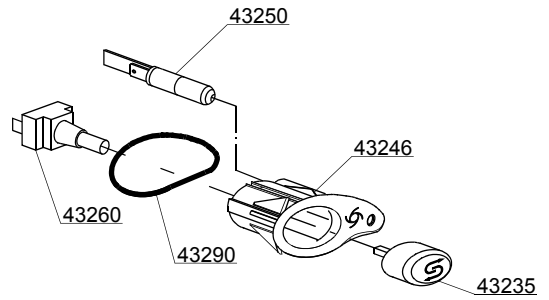
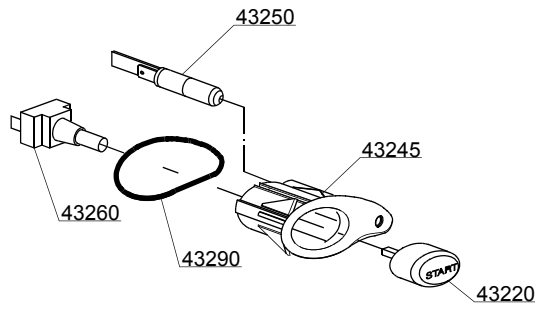
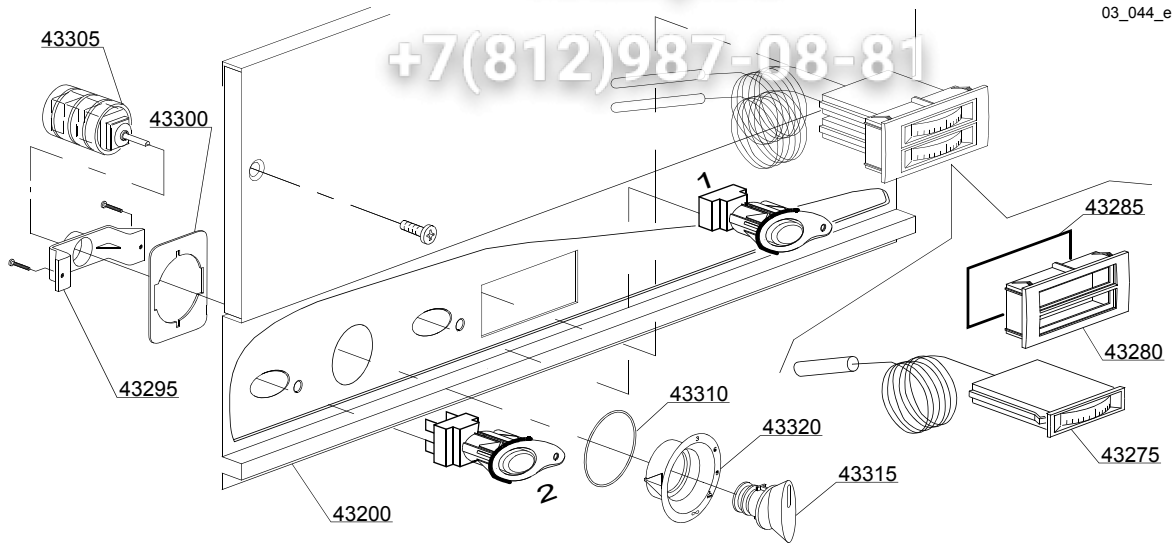


03\_043\_e



vsezip.ru

ID	P-code	Model	Type	Accessory	Voltage	Description
MODULE:Control panel and switches						
43100	76005		110H			Control panel
43105	89343		110H	dp		Drain pump push button (OPTIONAL)
43110	89342		110H			Time selector switch push button
43115	89341		110H			Start push button
43120	89348		110H			Blind push button
43125	89340		110H			ON-OFF push button
43130	89345		110H	ws		Regeneration push button (OPTIONAL)
43141	86001		110H			Cycle push button support
43140	86003		110H			Push button support
43145	86006		110H			OR O-ring
43150	15844		110H			Push button support
43155	15813		110H			16A unipolar switch
43160	15812		110H			16A bipolar switch
43160	15800		110H			16A switch
43165	15811		110H			16A bipolar switch
43165	15811/A		110H			16A bipolar switch
43170	10500011		110H			Thermometer
43175	89306		110H			Double thermometer support
43180	89331		110H			OR O-ring
43185	15826		110H			Pilot lamp

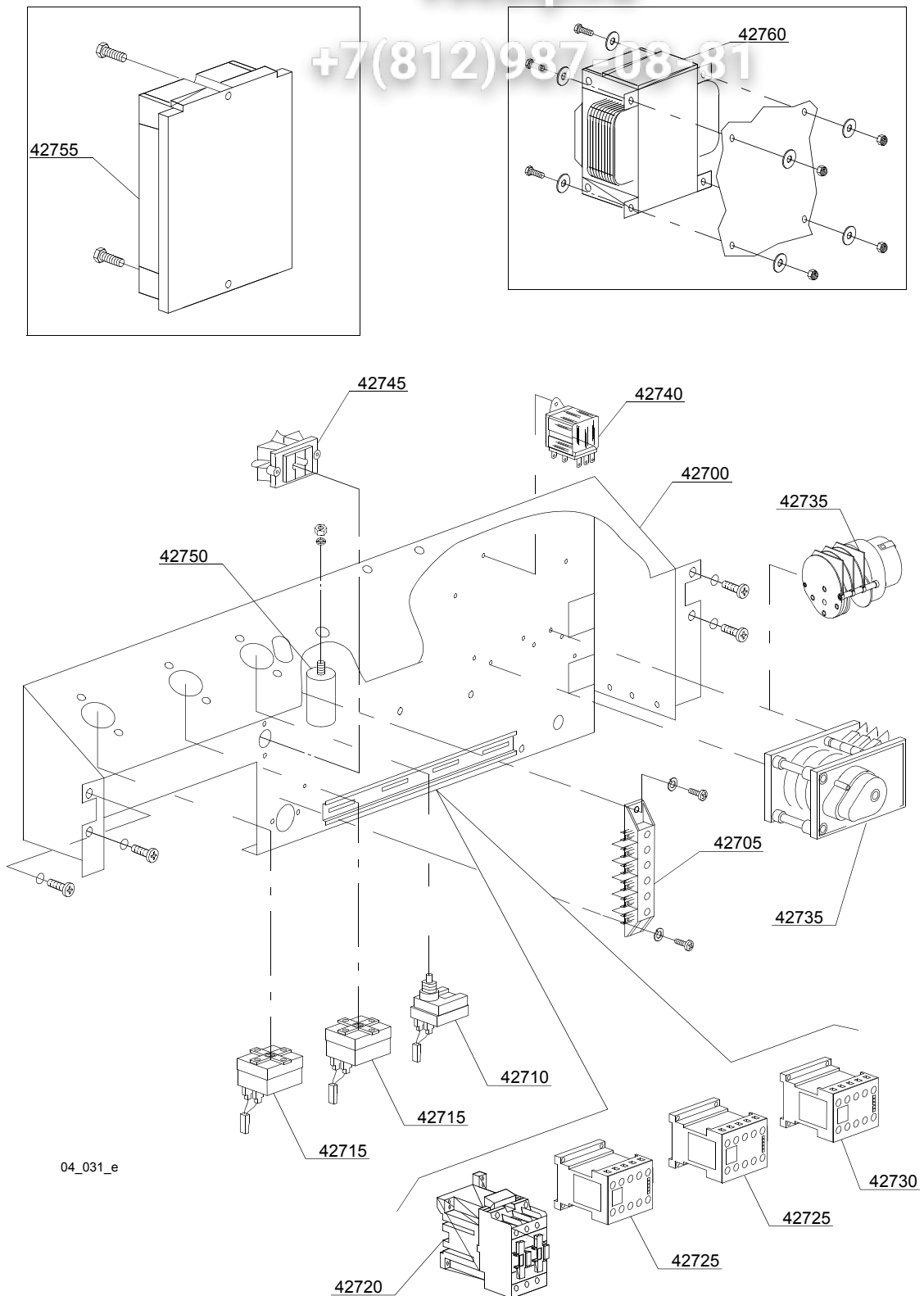


vsezip.ru

ID	P-code	Model	Type	Accessory	Voltage	Description
MODULE:Control panel and switches						
43200	76011		110H			Control panel
43210	89343		110H			Drain pump push button
43215	89342		110H			Time selector switch push button
43220	89341		110H			Start push button (optional)
43225	89348		110H			Blind push button
43230	89340		110H	ws		ON-OFF push button
43235	89345		110H			Regeneration push button
43245	86001		110H			Cycle push button support
43245	86003		110H			Push button support
43245	86002		110H			Temperature push button support
43250	15826		110H			Pilot lamp
43255	15844		110H			Push button support
43260	15813		110H			16A unipolar switch
43265	15800		110H			16A bipolar switch
43265	15812		110H			16A switch
43270	15811		110H			16A bipolar switch
43270	15811/A		110H			16A bipolar switch
43275	10500011		110H			Thermometer
43280	89306		110H			Double thermometer support
43285	89331		110H			OR O-ring
43290	86006		110H			OR O-ring
43295	89322		110H			Selector switch screw retainer support
43300	89323		110H			Screw retainer
43305	10300208		110H			Timer selector
43310	89332		110H			OR O-ring
43315	89321		110H			Selector switch handle control
43320	89349		110H			Selector switch support

vsezip.ru

+7(812)987-08-81



04\_031\_e

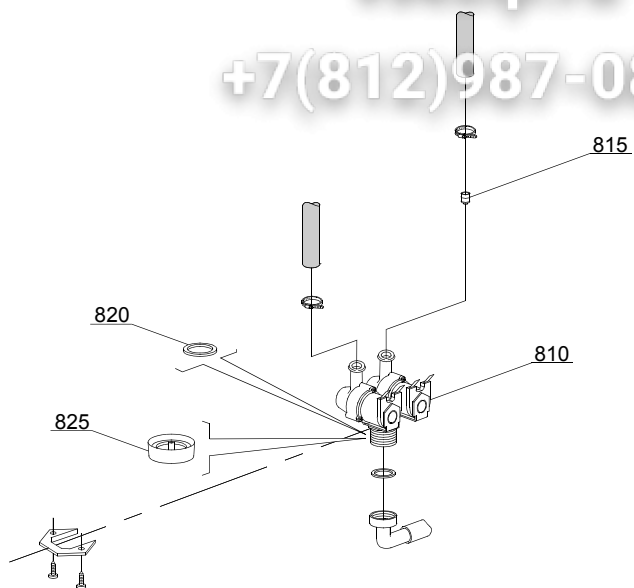


vsezip.ru

ID	P-code	Model	Type	Accessory	Voltage	Description
MODULE:Electric control components						
42700	76002		110H			Electric component panel
42705	500551		110H			6 poles terminal board
42710	2000430		110H			Safety thermostat
42715	10707/1		110H			0-90°C thermostat
42720	10300050		110H			25A/12A contactor - 230V 50/60HZ
42720	10300052		110H			36A/20A contactor - 230V 50/60HZ
42720	10300054		110H			25A/16A contactor - 230V 50/60HZ
42725	15086/B		110H			Contactor 240V 50Hz
42730	10300391		110H			3NA/1NC contactor 230V 50/60HZ
42730	10300392		110H			3NA/1NC contactor - 240Vac 50Hz
42735	10300118		110H			60/90/120" timer - 60Hz
42735	10708/N		110H			90" timer with thermostop
42735	10708/T		110H			120" timer with thermostop
42735	10300121		110H			60/120/180" timer
42740	15620		110H			Bipolar relay in deviation
42745	15065/A		110H			Cable-fastener with screw
42750	15149		110H			Low noise filter
42755	50553		110H			3 times electronic timer with regeneration
42760	15381		110H			160Va transformer

vsezip.ru

+7(812)987-08-81



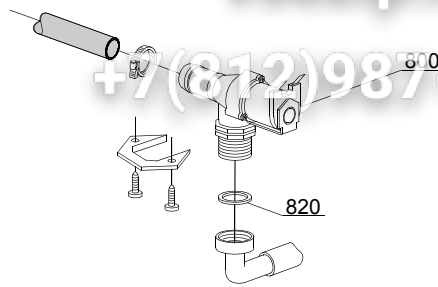
05\_003\_e

vsezip.ru

ID	P-code	Model	Type	Accessory	Voltage	Description
MODULE: Solenoid valve group						
810	15098		110H	cr,ws		Double solenoid valve - Ø10
815	15115		110H	cr,ws		Green pression solenoid valve
820	N.C.		110H	cr,ws		Pression reducing valve

vsezip.ru

+7(812)987-08-81



05\_005\_e

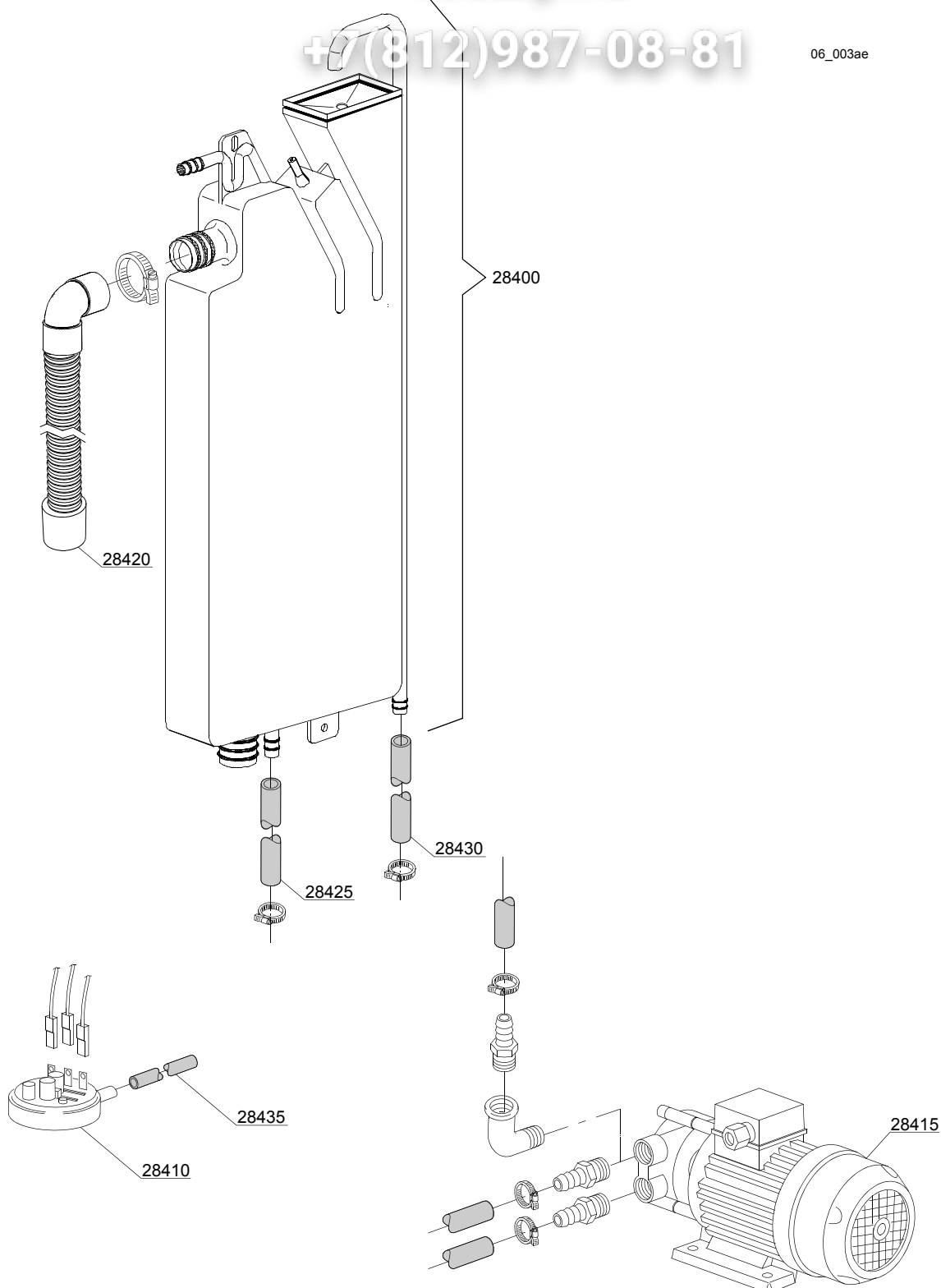
vsezip.ru

ID	P-code	Model	Type	Accessory	Voltage	Description
MODULE: Solenoid valve group						
800	30001000		110H			Solenoid valve
820	N.C.		110H			Pression reducing valve

vsezip.ru

+7(812)987-08-81

06\_003ae



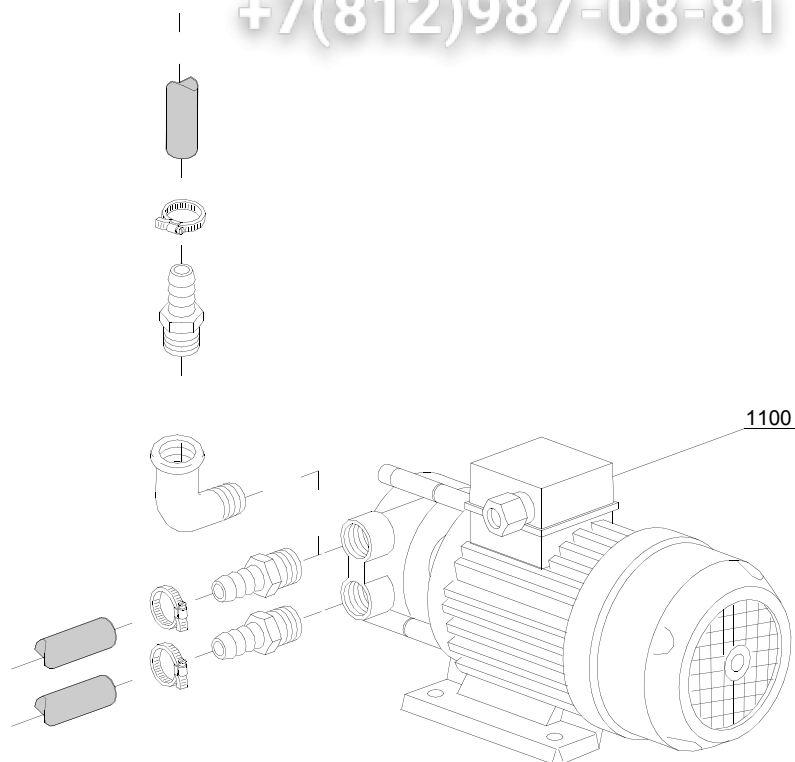
vsezip.ru

ID	P-code	Model	Type	Accessory	Voltage	Description
MODULE:Break Tank						
28400	15720		110H	bt		Break tank assembly
28410	10706/A		110H	bt		47-27 pressure switch
28415	15100		110H	bt		Booster pump 0,5HP 220/240V
28415	15100/D		110H	bt		Booster pump 0,5HP 220/240V
28420	15721		110H	bt		BT long pipe L=1070
28420	15722		110H	bt		BT middle pipe L=920
28420	15723		110H	bt		BT small pipe L=920
28425	2907350		110H	bt		12x20 EPDM rubber hose
28430	2907352		110H	bt		PVC WRAS rubber hose
28435	14508		110H	bt		4,5x9 EPDM rubber hose

vsezip.ru

07\_002\_e

+7(812)987-08-81



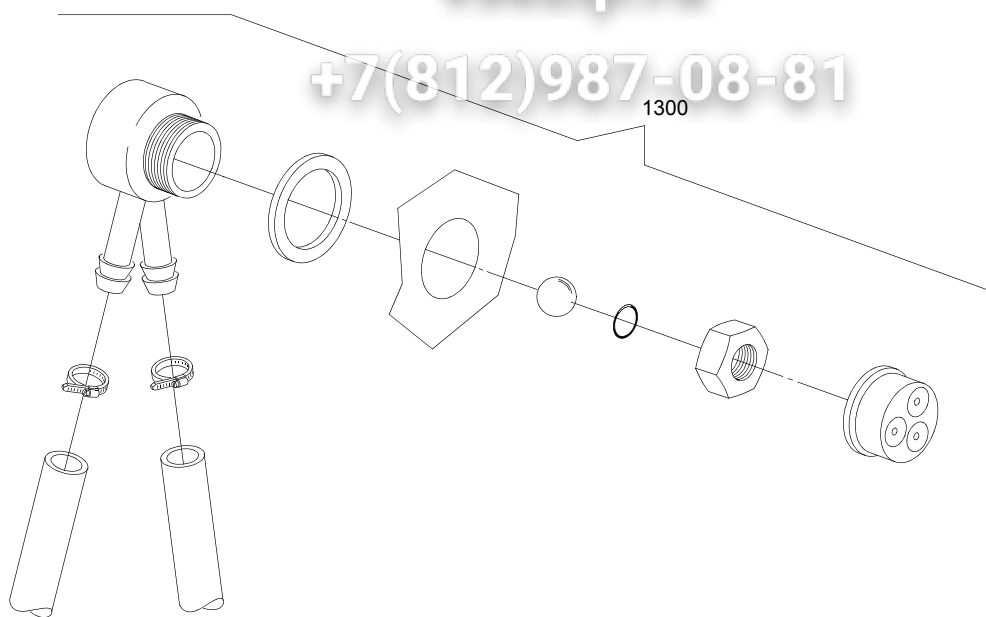


vsezip.ru

ID	P-code	Model	Type	Accessory	Voltage	Description
MODULE:Booster pump						
1100	15100		110H	bp		Booster pump 0,5HP 220/240V
1100	15100/A		110H	bp		Booster pump - 0,5HP 60Hz

vsezip.ru

+7(812)987-08-81

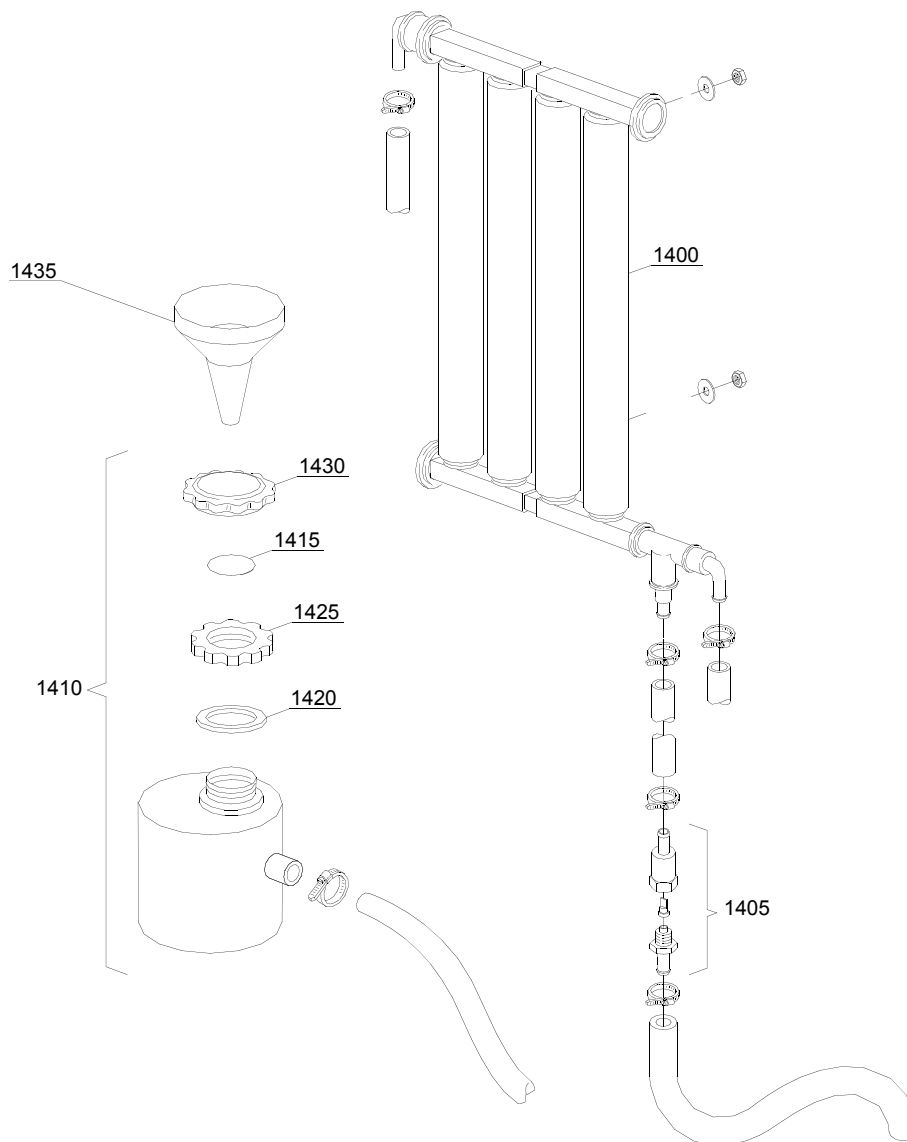


08\_005\_e

vsezip.ru

ID	P-code	Model	Type	Accessory	Voltage	Description
MODULE:DVGW						
1300	999900006		110H	dvgw		DVGW assembly

09\_001\_e

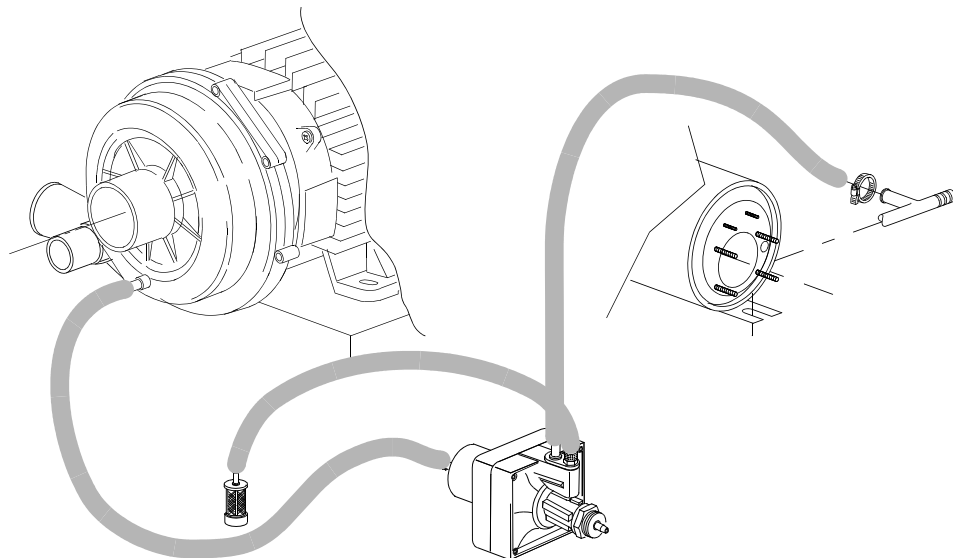
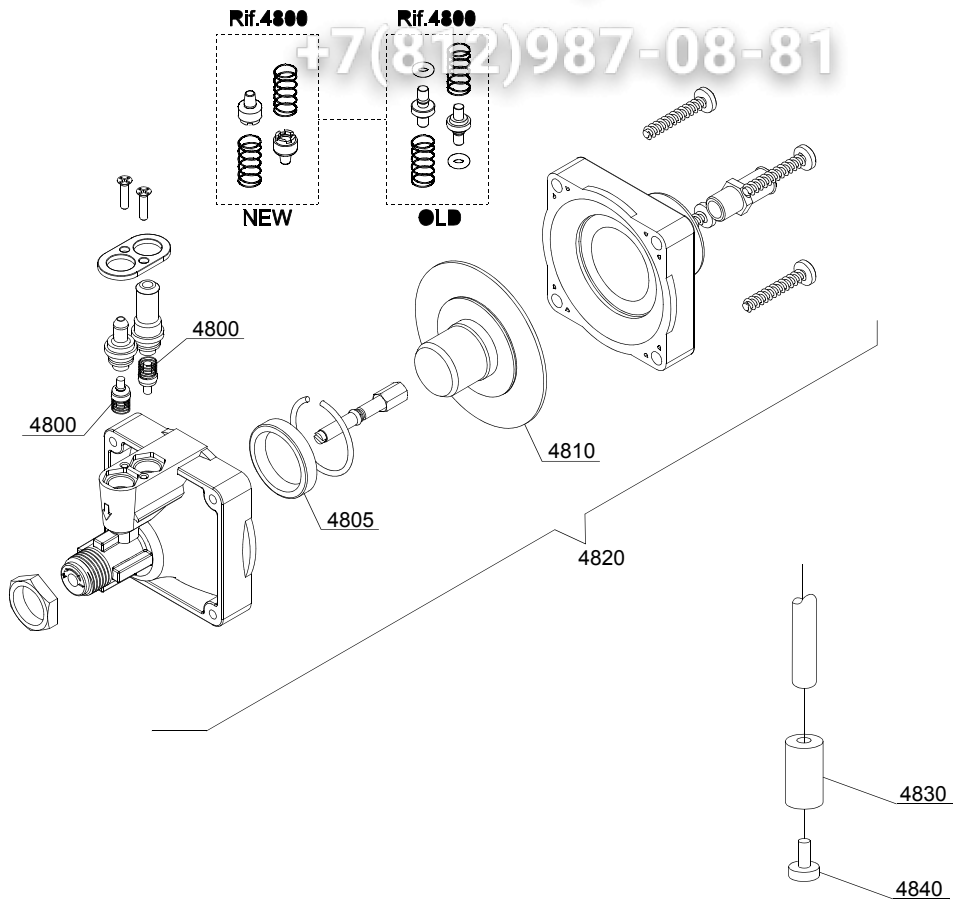


vsezip.ru

ID	P-code	Model	Type	Accessory	Voltage	Description
MODULE:Water softner group						
1400	16066		110H	ws		4 elements water softner
1405	16070		110H	ws		Nonreturn valve
1410	16065		110H	ws		Salt container
1415	16067/A		110H	ws		OR O-ring
1420	16067/B		110H	ws		O-ring
1425	16067/C		110H	ws		Ring nut
1430	16067/D		110H	ws		Plug
1435	16082		110H	ws		Funnel

vsezip.ru

+7(812)987-08-81



10\_004ae

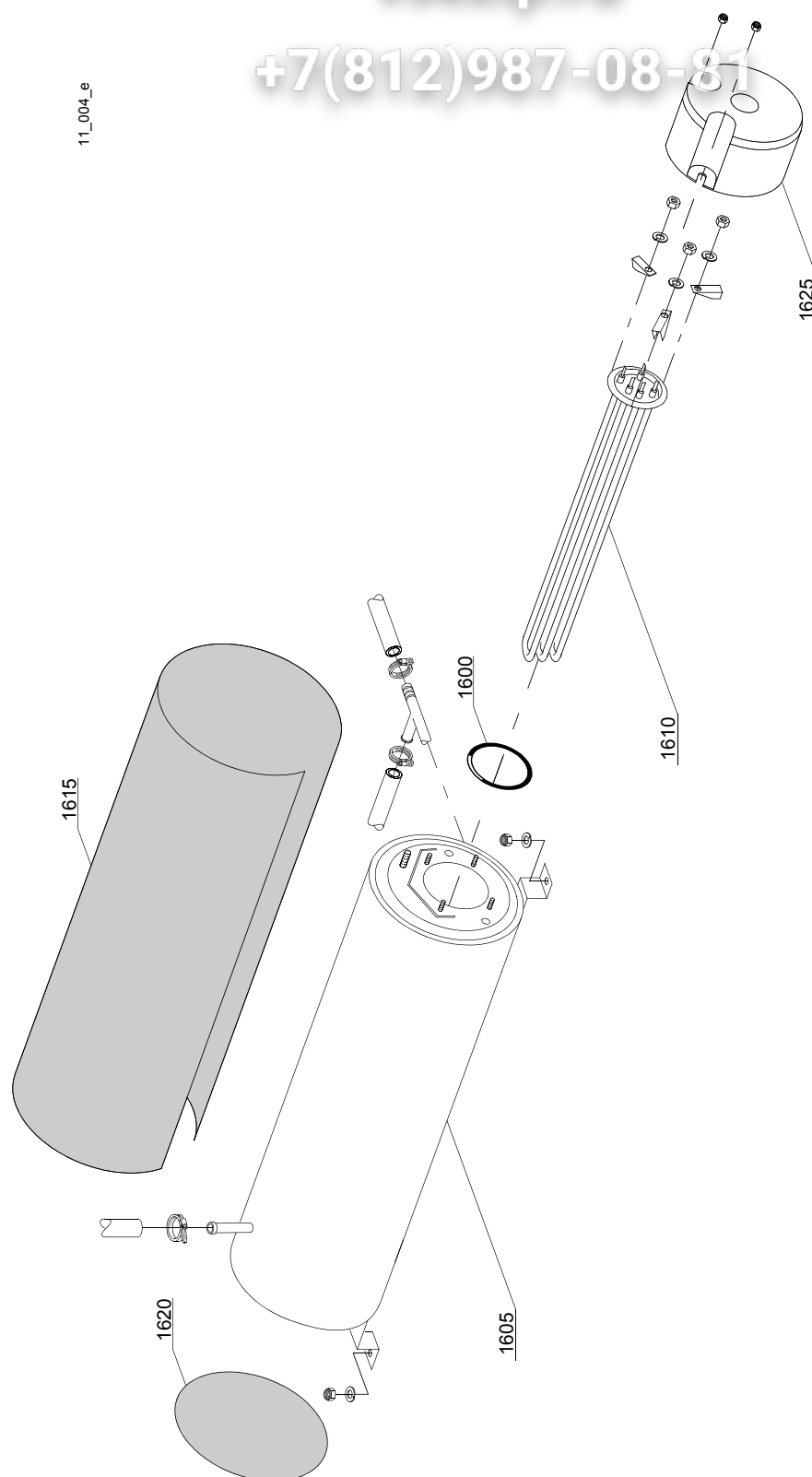
vsezip.ru

ID	P-code	Model	Type	Accessory	Voltage	Description
MODULE: Rinse aid dispenser group						
4800	10805		110H			Tecnopro non return valve
4805	10806		110H			Ø22 O-ring
4810	10807		110H			Membrane
4820	10799		110H			Rinse aid dispenser
4830	12525		110H			Counter-weight
4840	15058		110H			Small filter

vsezip.ru

+7(812)987-08-81

11\_004\_e



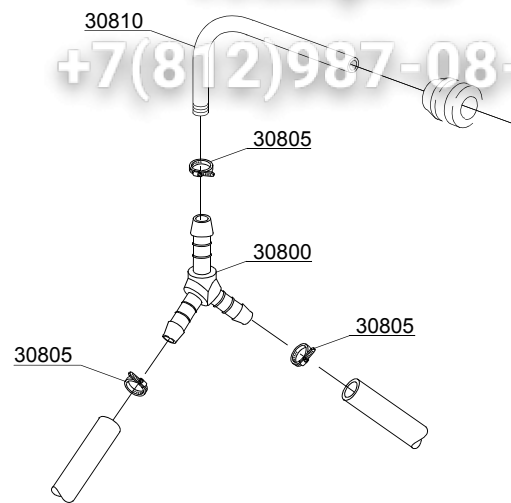


vsezip.ru

ID	P-code	Model	Type	Accessory	Voltage	Description
MODULE:Boiler group						
1600	13015		110H			O-ring
1605	22002		110H			Boiler
1605	75927		110H			AISI 314 boiler
1610	30001010		110H			6/6,53KW 230/240/3 heating element
1610	30001011		110H			Element 9kW
1610	30001011/A		110H			12/13,07KW 230/240V 3 heating element
1615	30002030		110H			Insulation boiler
1620	75205		110H			Ø160 end piece
1625	75311		110H			Heating element cover

vsezip.ru

+7(812)987-08-81



12\_003\_e

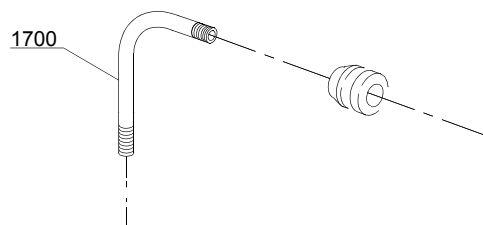
vsezip.ru

ID	P-code	Model	Type	Accessory	Voltage	Description
MODULE:3 ways connection						
30800	540091		110H			Ø12 mm plastic 3 ways connection
30805	11807		110H			Clamp

vsezip.ru

12\_007ae

+7(812)987-08-81

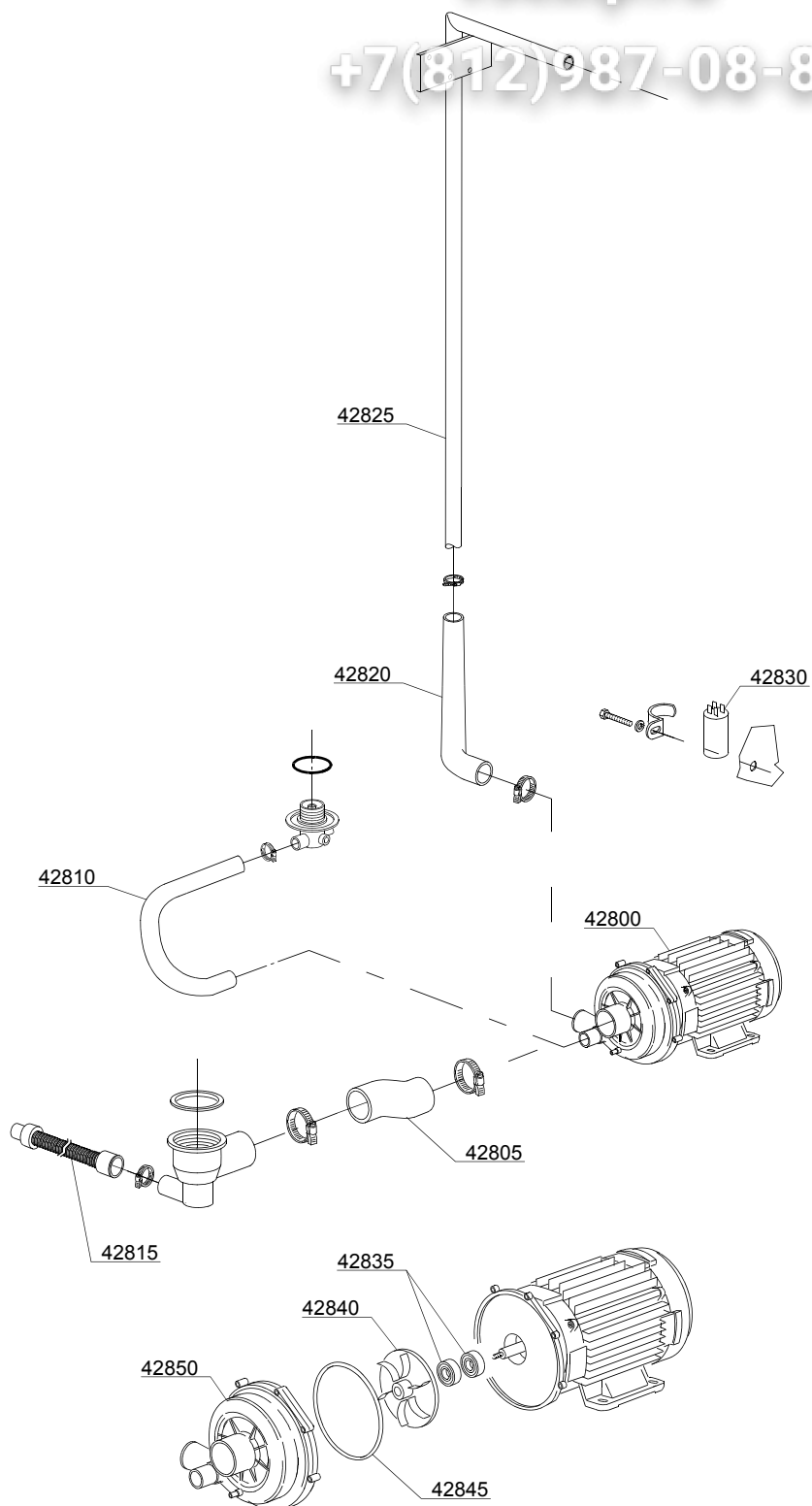


vsezip.ru

ID	P-code	Model	Type	Accessory	Voltage	Description
MODULE:Connection group						
1700	15168		110H			2 ways connection

vsezip.ru

+7(812)987-08-81



13\_124\_e

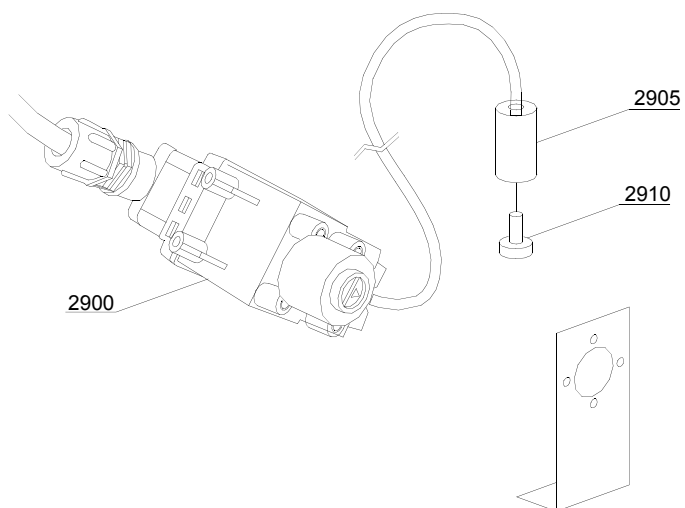
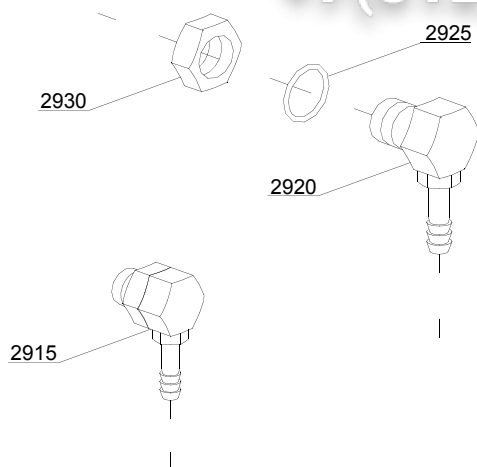
vsezip.ru

ID	P-code	Model	Type	Accessory	Voltage	Description
MODULE: Wash pump group						
42800	22009		110H		A	1,5Hp pump
42800	22036		110H		I	1,5Hp - 60Hz pump
42800	22041		110H			1,5Hp pump - 380/3Vac 50Hz
42800	15913		110H			1,2Hp pump - 230V- 50Hz
42800	15913/B		110H			1,2Hp pump - 240V- 50Hz
42800	15913/C		110H			1,2Hp pump - 220V- 60Hz
42805	25032		110H			Suction pipe coupling
42810	15033/A		110H			Lower delivery wash pipe
42815	10727		110H			Drain pipe
42820	76078		110H			Top delivery pipe
42825	11600103		110H			Wash ramp
42830	15081/A		110H			Condenser 16 uF
42835	15080/E		110H			Rotating seals
42840	22009/A		110H			Pump rotor
42845	15080/A		110H			O-ring
42850	15078		110H			Scroll

vsezip.ru

+7(812)987-08-81

14\_002\_e



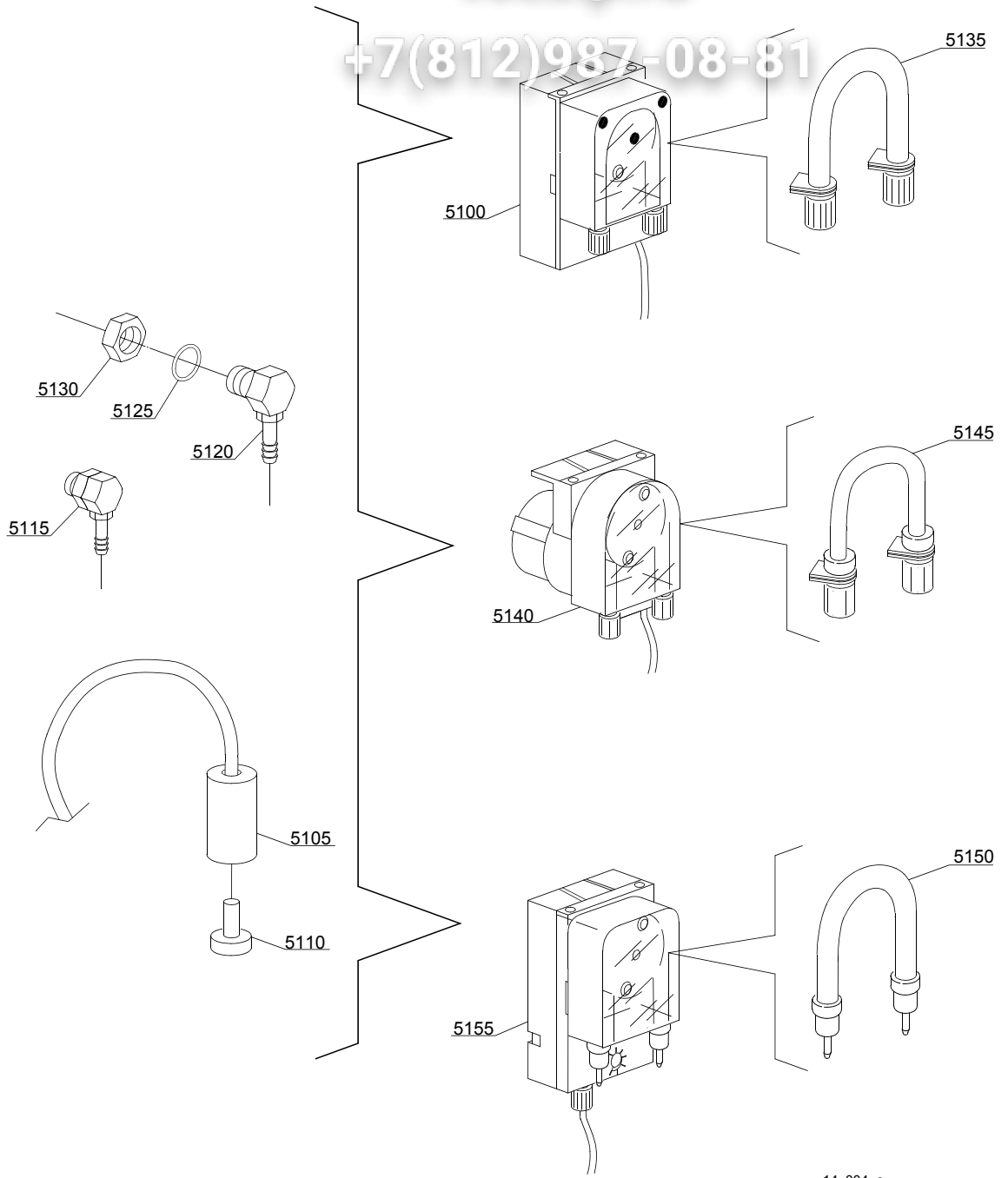


vsezip.ru

ID	P-code	Model	Type	Accessory	Voltage	Description
MODULE:Dosing detergent group						
2900	15108/L		110H	dd		Lang detergent pump
2905	12525		110H	dd		Counter-weight
2910	15058		110H	dd		Small filter
2915	15123		110H	dd		Compleat plastic injector
2920	15148		110H	dd		Steel injector
2925	15159		110H	dd		OR O-ring
2930	10200205		110H	dd		M12x1 stainless steel nut

vsezip.ru

+7(812)987-08-81



14\_004\_e

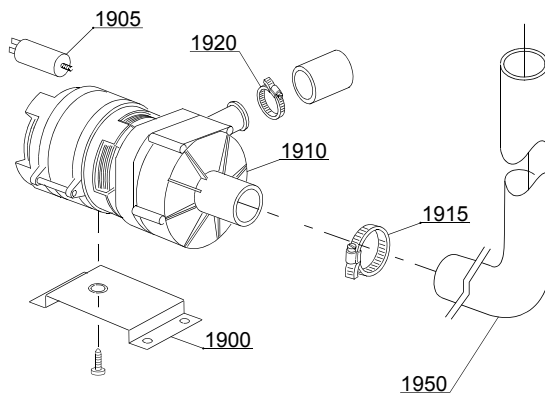
vsezip.ru

ID	P-code	Model	Type	Accessory	Voltage	Description
MODULE:Dosing detergent group						
5100	15985		110H	dd		Seko detergent pump
5105	12525		110H	dd		Counter-weight
5110	15058		110H	dd		Small filter
5115	15123		110H	dd		Complet plastic injector
5120	15148		110H	dd		Steel injector
5125	15159		110H	dd		OR O-ring
5130	10200205		110H	dd		M12x1 stainless steel nut
5135	15185		110H	dd		Seko thermoplastic pipe
5140	15985		110H	dd		Germac detergent pump
5145	15108/E		110H	dd		Germac thermoplastic pipe
5150	15985/A		110H	dd		PLAS CONT thermoplastic pipe
5155	15985		110H	dd		PLAS CONT detergent pump

vsezip.ru

+7(812)987-08-81

15\_003ce

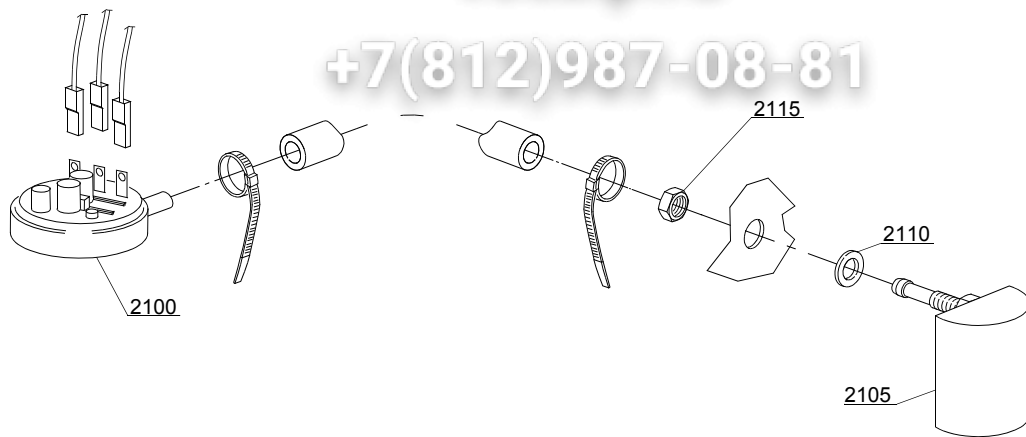


vsezip.ru

ID	P-code	Model	Type	Accessory	Voltage	Description
MODULE: Drain pump group						
1900	440122		110H	dp		Pump support
1905	10702		110H	dp		5 uF condenser
1910	10501/D		110H	dp		Drain pump (extra equipment)
1915	11806		110H	dp		25/40 clamp
1920	11836		110H	dp		20/32 clamp
1950	18044		110H	dp		Ø 28 Top pipe

vsezip.ru

+7(812)987-08-81

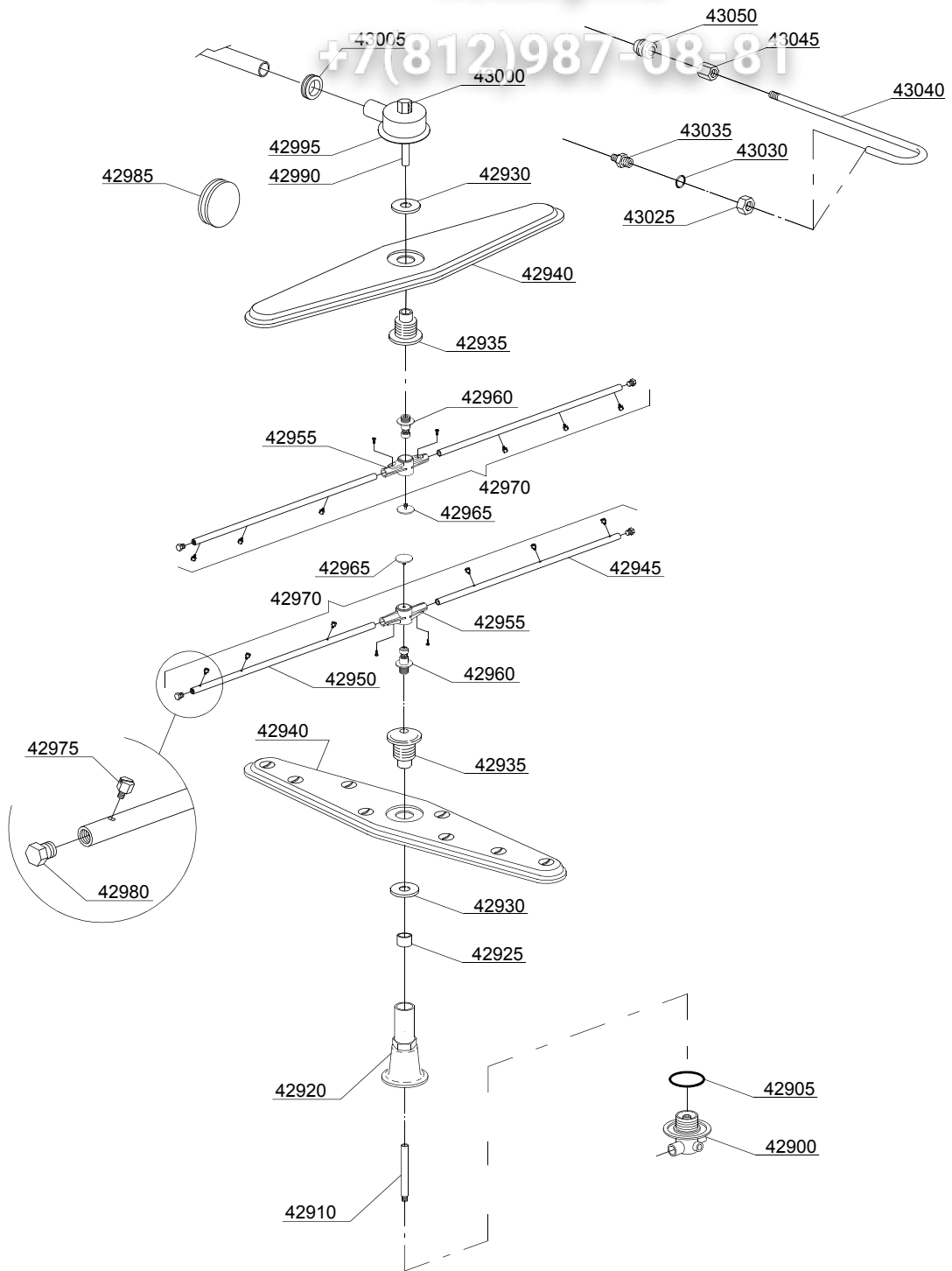


16\_001\_e

vsezip.ru

ID	P-code	Model	Type	Accessory	Voltage	Description
MODULE:Pressure switch group with air trap						
2100	10706/A		110H			Pressure switch 47-27
2100	75950		110H			Pressure switch PR
2105	135911/B		110H			Air trap
2110	13301		110H			Gasket
2115	11702		110H			Nut

vsezip.ru



17\_129\_e



vsezip.ru

ID	P-code	Model	Type	Accessory	Voltage	Description
MODULE:Turret group with rotating arms						
42900	500612		110H			Top/lower turret
42905	13015		110H			6225 OR 160 NBR O-ring
42910	76079		110H			Rinse axle
42920	76077		110H			Lower pipe coupling
42925	75321		110H			Spacer for hub
42930	75317		110H			Nut for wash arm bearing
42935	75320		110H			Wash arm bearing
42940	75915		110H			Stainless steel wash rotor
42945	10657		110H			Right rinse arm - stainless steel nozzle
42950	10658		110H			Left rinse arm - stainless steel nozzle
42955	10650		110H			Rinse arm
42960	10651		110H			Rinse axle
42965	10652		110H			Rinse arm screw
42970	75918		110H			Top/lower rinse arm complete
42975	560018		110H			Stainless steel rinse nozzle
42980	560017		110H			Rinse arm plug
42985	13316/A		110H			DVGW hole O-ring
42990	75322		110H			Top rinse axle
42995	75067		110H			Stainless steel turret
43000	75319		110H			Rinse elbow
43005	76081		110H			Pipe-pass O-ring 51x34x14
43025	12006/A		110H			Ø10 pipe fitting 3/8x3,5 nut 19 hexagonal
43030	13003		110H			OR 112 NBR O-ring
43035	12006		110H			Ø10 rinse pipe fitting
43040	75066		110H			Top rinse pipe
43045	12526		110H			Stainless steel nut coupling
43050	13304		110H			Pipe-pass O-ring