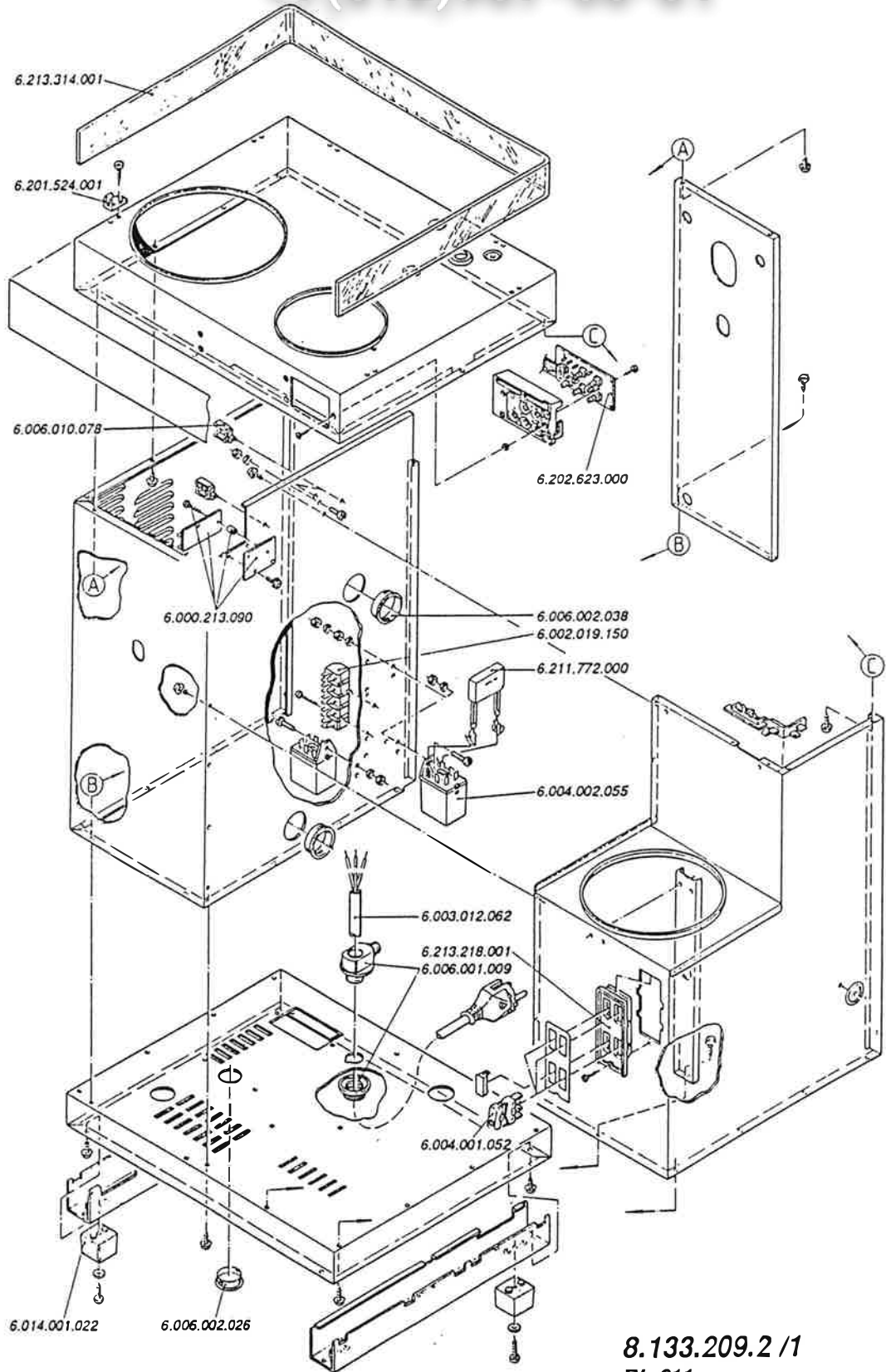


Зип Общепит

2.09.2

Exploded View vsezip.ru

+7(812)987-08-81

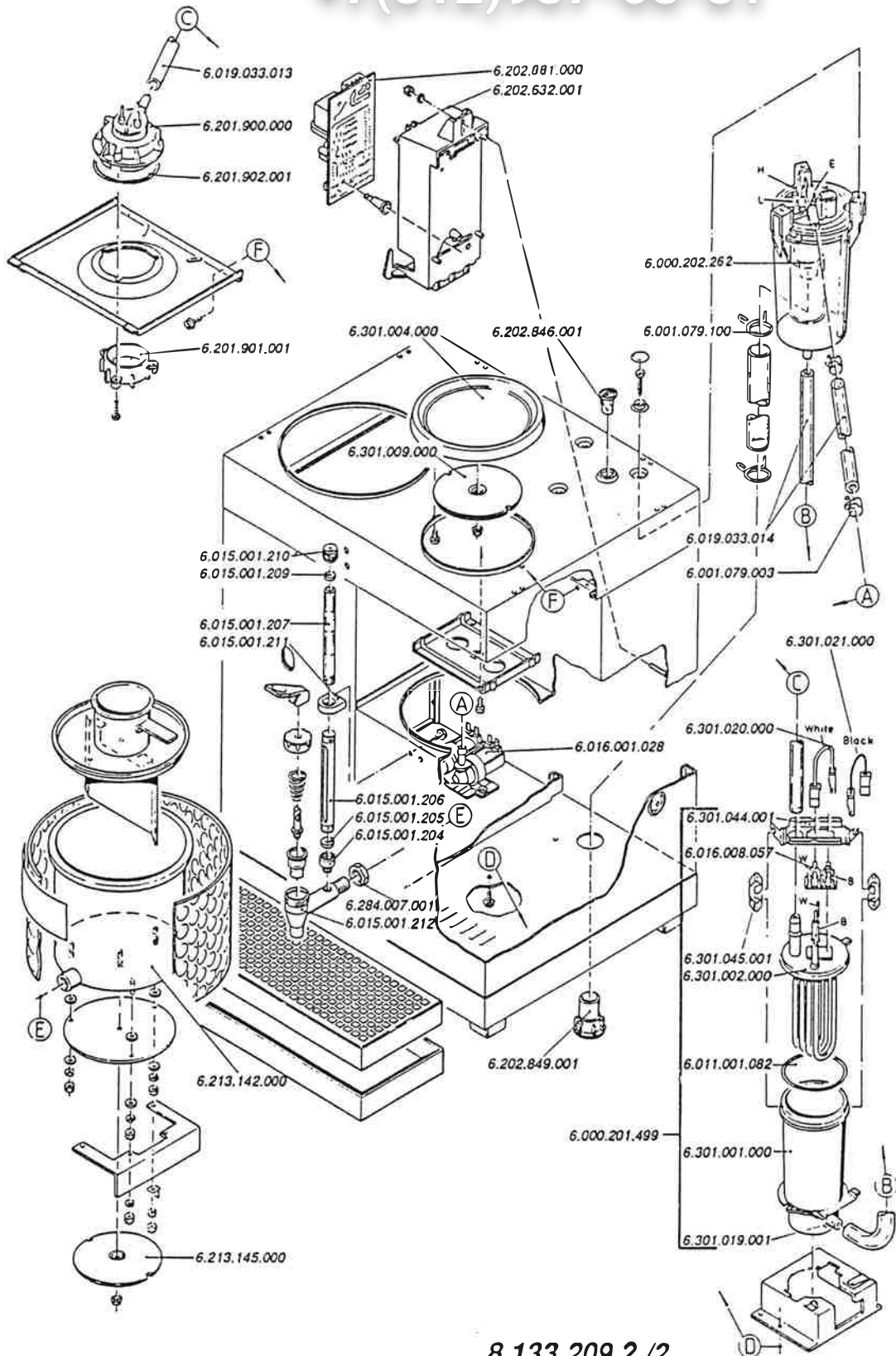


8.133.209.2 / 1  
RL 211

Зип Общепит

vsezip.ru

+7(812)987-08-81

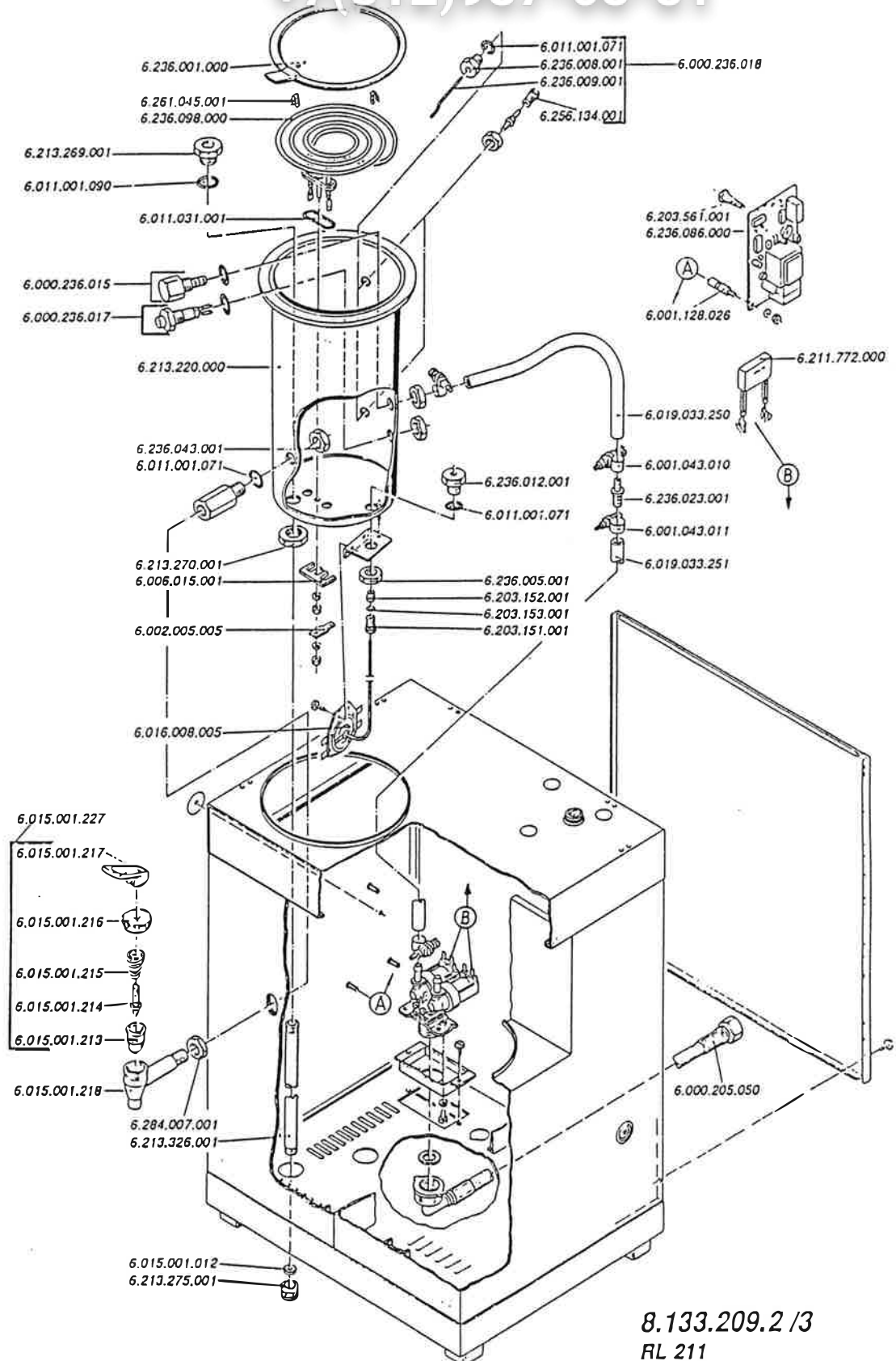


8.133.209.2 / 2  
RL 211

Зип Общепит

vsezip.ru

+7(812)987-08-81



8.133.209.2 /3  
RL 211

Artikelnr	Description Beschreibung	Definition Beschrijving
8.133.209.211	RL 211 BONAMAT 220V (D)	RL 211 BONAMAT 220V (D)
6.000.201.499	FLOW BOILER MONDO/MATIC 1900W DURCHLAUFERHITZER MO/MAT 1900W	CHAUFFE EAU MONDO/MATIC 1900W DOORSTROOMELEMENT MONDO/MATIC
6.000.202.262	WATERTANK MATIC WASSERBEHALTER MATIC	RESERVOIR D'EAU MATIC WATERRESERVOIR
6.000.205.050	CONNECTION TUBE ANSCHLUSS-SCHLAUCH	TUYAU RACCORD AANSLUITSLANG
6.000.236.017	TEMPERATURE SENSOR HWA TEMPERATUURSENSOR HWA	TENTACULE HWA TEMPERATUURSENSOR
6.001.001.002	NUT M4 (10 PCS) MUTTER M4 (10 ST.)	ECROU M4 (10 PCS) MOER M4 (10 ST.)
6.001.001.003	NUT M5 (10 PCS) MUTTER M5 (10 ST.)	ECROU M5 (10 PCS) MOER M5 (10 ST.)
6.001.003.002	CYL. HEADSCREW M3X8 (10 PCS) ZYL. KOPFSCHR. M3X8 (10 ST.)	VIS A TETE CYL. M3X8 (10 PCS) CIL. KOPFSCHR M3 X 8 RVS 304
6.001.003.007	CYLINDERHEAD SCREW M4X8(10PCS) ZYL. KOPFSCHRAUBE M4X8 (10 ST.)	VIS A TETE CYL. M4X8 (10PCS) CILINDERKOPFSCHROEF M4X8(10 ST)
6.001.003.009	CYL. HEAD SCREW M4X16 (10 PCS) ZYL. KOPF SCHRAUBE M4X16(10 ST)	VIS A TETE CYL. M4X16 (10 PCS) CILINDERKOPFSCHROEF M4X16(10ST)
6.001.011.011	WASHER M4 (10 PCS) SCHLIESSRING M4 (10 ST.)	RONDELLE M4 (10 PCS) SLUITRING M4 ST VERZ DIN 9021
6.001.041.002	WASHER M3 (10 PCS) SCHLIESSRING M3 (10 ST.)	RONDELLE M3 (10 PCS) SLUITRING M3 NYLON
6.001.041.003	INSULATOR RING M4 (10 PCS) SCHLIESSRING M4 (10 ST.)	RONDELLE M4 (10 PCS) SLUITRING M4 (10 ST.)
6.001.043.010	TUBE CLAMP 14 MM (5 PCS) SCHLAUCHKLEMME 14 MM (5 ST)	SERREUR 14 MM (5 PCS) SLANGKLEM 14 MM (5 ST.)
6.001.043.011	TUBE CLAMP 17 MM (5 PCS) SCHLAUCHKLEMME 17 MM (5 ST)	SERREUR 17 MM (5 PCS) SLANGKLEM 17 MM (5 ST.)
6.001.071.002	SPRING RING M4 (10 PCS) FEDERRING M4 (10 ST.)	BAGUE-RESSORT M4 (10 PCS) VEERRING M4 RVS (10 ST.)
6.001.071.003	SPRING RING M5 (10 PCS) FEDERRING M5 (10 ST.)	BAGUE-RESSORT M5 (10 PCS) VEERRING M5 RVS 304 ENKEL

# Зип Ощепит

vsezip.ru

+7(812)987-08-81

6.001.075.002	SPRING RING M4 FEDERRING M4	(10 PCS) (10 ST.)	BAGUE RESSORT M4 VEERRING M4 VERZ. DIN6798AZ	(10 PCS)
6.001.079.003	TUBE CLAMP 15.6 MM SCHLAUCHKLEMME 15.6 MM	(5 PCS) (5 ST.)	SERREUR 15.6 MM SLANGKLEM 15.6 MM	(5 PCS) (5 ST.)
6.001.079.100	TUBE CLAMP 24-27MM SCHLAUCHKLEMME 24-27MM	(EA.) (ST.)	SERREUR 24-27MM SLANGKLEM	(PC.) (1 ST.)
6.001.086.002	SELF TAPPING SCREW 3.5X9.5 (10P) BLECHSCHRAUBE 3.5X9.5 (10 ST)		VIS 3.5X9.5 PARKER M3.5X9.5	(10 PCS) (10 ST.)
6.001.124.002	SELF TAP. SCREW 2,9X13 (10PCS) BLECH/SCHRAUBE 2,9X13 (10 ST.)		VIS PARKER 2,9X13 PARKER 2,9X13	(10 PCS) (10ST)
6.001.124.004	SELF.T.SCREW 3,5X19 CS (10 PCS) BLECHSCHR 3,5X19 CS (10 ST.)		VIS PARKER 3,5X19 AC (10 PCS) PARKER 3,5X19 CS (10ST)	
6.001.128.026	DISTANCE SUPPORT 20MM ABSTANDSSTUETZE 20MM		SUPPORT INTERCALANT 20MM AFSTANDSTELN 20 MM	
6.001.132.001	SCREW PT 3X20 SCHRAUBE PT 3X20	(10 PCS) (10 ST)	VIS PT3X20 SCHRDEF PT 3X20	(10 PCS) (10 ST.)
6.001.133.001	SCREW PT M3.5X9 SCHRAUBE PT M3.5X9	(10 PCS) (10 ST.)	VIS PT M3.5X9 SCHRDEF TT M3.5X9	(10 PCS) (10 ST.)
6.001.134.101	SCREW PT M4 X 25 SCHRAUBE PT M4 X 25	(10 PCS) (10 ST.)	VIS PT M4 X 25 SCHRDEF PT M4 X 25	(10 PCS) (10 ST)
6.001.137.001	NUT M5 MUTTER M5	(10 PCS) (10 ST.)	ECROU M5 MOER M5	(10 PCS) (10 ST.)
6.002.002.002	CASE F. SURFACE PLUG FLACHSTECKERHUELSE		DOUILLE P. FICHE PLATTE VL. ST. HLS. DNS. 0,75 X 1,5	
6.002.002.003	CASE F. SURFACE PLUG FLACHSTECKERHUELSE		DOUILLE P. FICHE PLATTE VLAKSTECKERHULS	
6.002.005.005	CONNECTING PIECE VERBINDUNGSSTUECK		PIECE D'ASSEMBLAGE VERB. ELEM. MESS. MODEL :A-A3859	
6.002.010.001	CASE F. SURFACE PLUS FLACHSTECKERHUELSE		DOUILLE P. FICHE PLATTE VLAKSTECKERHULS	
6.002.019.150	WIRE STRIP RL 111/2 211/2 KABELBAUM RL 111/2 211/2		BANDE DE FILS RL 111/2 211/2 BEDR. SRIP KL 24/5	
6.002.024.020	INSULATION SHIELD ISOLIERHUELSE		DOUILLE ISOLANTE ISOLATIEHULS	

# Зип Общепит

vsezip.ru

+7(812)987-08-81

6.002.031.001	NAKED ROUND SURFACE PLUG UNIS. RUNDSTECKERHUELSE	COSSE RONDE NUE VLAKSTEKER
6.003.012.062	CONN. CORD 3X1.5MM (STD) ANSCHLUSSKABEL 3X1.5MM (STD)	CABLE 3X1.5MM (STD) AANSLUITSDR HWD 30
6.004.002.055	RELAY RELAIS	RELAIS RELAIS
6.006.001.009	CORD INLET KABELEINFUHR	PASSE FIL SDRINVDER
6.006.002.026	CAP BLACK COLUMN 28,5MM KAPPE SCHWARZ SAULE 28,5MM	BOUCHON NOIR COLONNE 28,5MM DOP
6.006.002.038	INLET BUSH DURCHFUHRUNGSDRHR	PASSE FIL NYLON DOORVDERTULE
6.006.010.078	TOOL FOR SPRINGING WIRE DRAHTAUFLEGER	MONTE-FIL DRAADZADEL
6.006.015.001	WIRE LEAD DRAHTLEITER	CONDUITE FIL BEVESTIGINGSBEUGEL
6.011.001.071	O-RING 14X1.78 O-RING 14X1.78	RONDELLE 14X1.78 O-RING 14 X 1.78
6.011.001.082	O-RING 74.5X3 O-RING 74.5X3	RONDELLE 74.5X3 O-RING 74.5 X 3
6.011.001.090	GASKET 22X2 O-RING 22X2	JOINT 22X2 O-RING 22 X 2
6.011.031.001	HANDY ELEMENT GASKET PACKUNG	JOINT HANDY O-RING
6.014.001.022	FOOT RL FUSS RL	PIED RL FOOT
6.014.014.006	DISTANCE TUBE L.7,5MM B.3,5MM DistanzBUchSE L.7,5/B.3,5MM	DOUILLE D'ECARTEM. L7,5/B3,5MM AFSTANDBUS Lng 7,5 mm D 3,5 mm
6.015.001.012	GAUGE RUBBER SCHAUGLASSUMMI	JOINT CAOUTCHUC VERRE A NIV. RUBBER
6.015.001.204	NIPPLE GAUGEGLASS PROTECTION NIPPEL SCHAUGLASSCHUETZ	DOUILLE PROT. VERRE A NIVEAU NIPPEL PEILGLAS BESCHERMHUIS
6.015.001.205	GAUGE RUBBER RL214/21/22/24 ANZEIGE GUMMI RL214/21/22/24	JOINT CAUTCH. RL214/21/22/24 PAKKINGRING D 12,5X3 ONDER
6.015.001.206	GAUGEGLASS PROT. RL214/21/22/24 SCHAUGL. SCHUETZ RL214/21/22/24	PROT.VERRE NIV. RL214/21/22/24 PEILGLAS BESCHERMHUIS
6.015.001.209	GAUGE RUBBER RL214/21/22/24 ANZEIGE GUMMI RL214/21/22/24	JOINT CAUTCH. RL214/21/22/24 PAKKINGRING D 14,5X3 BOVEN

# Зип Ощепит

vsezip.ru

+7(812)987-08-81

6.015.001.210	CAP NUT GAUGEGLASS PROTECTION DOPFMUTTER SCHAUGLASSSCHUTZ	BOUCHON PROTECTION VERRE A NIV DOPMOER PEILGLASBESCHERMUULS
6.015.001.211	GAUGE SUPPORT RL214/21/22/24 SCHAUGLASSSTUETZ RL214/21/22/24	SUPPORT V.A NIV.RL214/21/22/24 PEILGLASSTEUN
6.015.001.212	TAP CASING + GAUGE CONNECTION HAHNENGEHAUSE+ SCHAUGL. ANSCHLUSS	CAISSE ROBINET + RACCORD NIV. KRAANHUIS MET PEILGL. AANSL.
6.015.001.213	RUBBER CUP GUMMIPLUNGER	JOINT CADOUTCHOU POUR ROBINET CUP SILICONE
6.015.001.214	TAP LEVERROD HEBELSTANGE FUR ZAPFHAIHN	TIGE LEVIER HEVELSTANG
6.015.001.215	COMPRESSION SPRING FOR TAP DRUCKFEDER FUR ZAPFHAIHN	RESSORT POUR ROBINET DRUKVEER
6.015.001.216	SCREWCAP SCHRAUBKAPPE	BOUCHON A PAS DE VIS SCHROEFKAP
6.015.001.217	TAP HANDLE HAHNENGRIF	LEVIER ROBINET KRAANHANDLE HAAKS
6.015.001.218	TAP W/O GAUGE CONNECTION HAHN OHNE SCHAUGLASSANSCHLUSS	ROBINET SS RACCORD. DE NIVEAU KRAAN ZONDER PEILGLAS AANSL.
6.015.001.227	UPPERPART TAP RL214/21/22/24 HAHNBERTEIL RL214/21/22/24	ENS.LEVIER ROB.RL214/21/22/24 BOVENSTUK AFTAPKRAAN
6.015.001.230	NO-DRIP TAP RL101/221 ZAPFHAIHN RL101/221	ROBINET RL101/221 AFTAPKR. EXCL. PEILGLAS AANSL.
6.015.001.231	TAP+GAUGE CONN.RL214/21/22/24 ZAPFHAIHN+ANSCHL RL214/21/22/24	ROB.+RACC.NIV. RL214/21/22/24 AFTAPKRAAN INCL. PEILGLAS AANSL
6.016.001.022	MAGNETIC VALVE 220/240V MAGNETVENTIL 220/240V	VANNE MAGNETIQUE 220/240V MAGNEETVENTIEL 220/240V50HZ
6.016.008.005	HIGH TEMP SAFETY TRIP SWITCH TROCKENGEHSCHUTZ	THERMOSTAT DE SECURITE DROEGKOOKBEVEILIGING
6.016.008.057	HIGH TEMPERATURE SAFETY SWITCH TROCKENGEHSCHUTZ	THERMOSTAT DROEGKOOKBEVEILIGING
6.019.033.013	TUBE 17.5X11.5 SCHLAUCH 17.5X11.5	TUYAU 17.5X11.5 SLANG 17.5X11.5
6.019.033.014	TUBE 15.5X9.5 SCHLAUCH 15.5X9.5	TUYAU 15.5X9.5 SLANG 15.5X9.5
6.019.033.250	TUBE 8X2 MM SCHLAUCH 8X2 MM	TUYAU 8X2 MM SLANG 12 MM
6.019.033.251	TUBE 15 MM SCHLAUCH 15 MM	TUYAU 15 MM SLANG 15 MM
6.201.524.001	SUPPORT FR PLEXI-EDGE RL BEFESTIGUNG F. PLEXI-RAND RL	SUPPORT PR PLEXI RL HOUDER

# Зип Ощепит

vsezip.ru

+7(810)987-08-81

6.201.900.000	WATER SPREADER SPRUEHKOPF	A ROSOIR SPRUEHKOPF
6.201.901.001	SPRAYING TANK SPRUEHKASTEN	BASSIN D'ARROSOIR SPRUEIBAK
6.201.902.001	BASKET ABDICHTUNG	JOINT PAKKING
6.202.623.000	KEYBOARD STEUERTAFEL	KEYBOARD KEYBOARD
6.202.632.001	BRACKET PRINT BUEGEL LEITERPLATTE	ARC CIRCUIT IMPRIME BEUGEL PRINT
6.202.846.001	DESCALING CAP ENTKALKUNGSKAPPE	BOUCHON A DETARTRE ONTSTENINGSDOPJE
6.202.849.001	FIXINGRING FIXIERRING	RONDELLE FIXEERRING
6.202.850.001	SWITCH COVER SCHALTERHUELSE	DOUILLE D'INTERRUPTEUR SCHAKELAARHUIS
6.202.881.000	RL/MAT PRINTCARD 8 STEP (STD) RL/MAT LEITERP (8SCHRITT) (STD)	RL/MATIC CARTE (8-PAS) (STD) PRINT MATIC 8 STAPPEN (STD)
6.203.151.001	NIPPLE HWA / RL 225 NIPPEL HWA / RL 225	DOUILLE HWA / RL 225 NIPPEL
6.203.152.001	RUBBER HWA / RL 225 GUMMI	JOINT CAOUTCHOUC HWA / RL 225 RUBBER
6.203.153.001	GASKET HWA / RL 225 PACKUNG	BOURRAGE HWA / RL 225 PAKKING
6.203.561.001	GUIDE-BUSH FUEHRUNGSBUCHSE	MANCHON-GUIDE GELEIDINGSBUS
6.211.772.000	R.C. COMBINATION R.C. KOMBINATION	R.C. COMBINAISON R.C. COMBINATIE
6.213.142.000	WATERTANK WASSERBEHAELTER	RESERVOIR D'EAU BINNENKETEL RL
6.213.145.000	HEATING ELEMENT 100/240V HEIZELEMENT 100/240V	ELEMENT DE CHAUFFAGE 100/240V WARMHOUDELEMENT 100/240V
6.213.218.001	SWITCH FRAME SCHALTERGEHAEUSE	BOITIER D'INTERRUPTEUR SCHAKELAARHUIS
6.213.220.000	WATERURN RL 101/221 WASSERKESSEL RL 101/221	CUVEE EAU RL 101/221 HEETWATERRESERVOIR
6.213.269.001	EVAC. NIPPLE RL101/2/221/2 ABLASS-NIPPEL RL101/2/221/2	DOUILLE EVAC. RL101/2/221/2 NIPPEL LEEGLOOP
6.213.270.001	NUT EVAC.NIPPLE RL101/2/221/2 MUTTER ABL.NIPP. RL101/2/221/2	ECROU RACC.EVAC RL101/2/221/2 MOER TEV LEEGLOOPNIPPEL



# Зип Общепит

vsezip.ru

+7(812)987-08-81

6.213.275.001	SCREWSTOP DRAIN SCHRAUBSTOPFEN ABLASS		BOUCHON / CINGE DOP AFTAP
6.213.314.001	PLEXI EDGE RL 111/112/211/212 PLEXI RAND RL 111/112/211/212		CADRAN PLEXI RL 111/112/211/21 PLEXI RAND RL 111/112/211/212
6.213.326.001	TANK DRAINTUBE RL 211 KESSEL ABLASSROHR RL 211		DRAIN DE CIVE RL 211 AFTAPPIJP WATERKETEL
6.236.001.000	LID DECKEL		COUVERCLE DEKSEL
6.236.003.001	NIPPLE WATERSUPPLY HWA/RL NIPPEL WASSERZUFUHR HWA/RL		DOUILLE ADMISSION EAU HWA/RL NIPPEL WATERTDEVOER VERVALLEN
6.236.005.001	NUT MUTTER		ECROU MOER
6.236.008.001	NIPPLE NIPPEL		DOUILLE NIPPEL
6.236.009.001	ELECTRODE ELEKTRODE		ELECTRODE ELEKTRODE
6.236.012.001	NIPPLE NIPPEL		DOUILLE NIPPEL
6.236.023.001	NIPPLE NIPPEL		DOUILLE NIPPEL
6.236.043.001	NUT M14X1 MUTTER M14X1		ECROU M14X1 MOER M14X1
6.236.086.000	PRINT HWA/RL LEITERPLATTE HWA/RL		CARTE HWA/RL BESTURING HWA
6.236.087.000	LED PRINT LED PRINT		LED PRINT LED PRINT
6.236.088.000	FLATCABLE RL101/221 FLACHSEIL RL101/221		CABLE PLAT RL 101/221 VERBINDINGSKABEL
6.236.089.001			NIPPEL T.B.V. KRAANHUIS
6.236.098.000	HEATING ELEMENT HW 1100W/220V HEIZKORPER HW 1100W		ELEM. DE CHAUFFE HW 1100W BUISELEMENT 1500W
6.256.134.001	INLET DURCHFUHR		TRAVERSE DOORVOER
6.256.135.001	COUPLING ELECTRODE UEBER ELECTRODE		DOUILLE ELECTRODE WARTEL ELEKTRODE

Зип Общепит  
vsezip.ru  
+7(812)987-08-81

6.261.045.001	CLAMP KLEMME	PINCE KLEM
6.264.007.001	NUT M16 MUTTER M16	ECROU M16 MOER M16
6.301.001.000	BOX FLOWBOILER MONDO BUCHSE DURCHAUFERHITZER MONDO	BOITE CHAUFFE EAU MONDO BUS DOORSTROOMELEMENT MONDO
6.301.002.000	ELEMENT MONDO/MATIC 220V 1900W ELEMENT MONDO/MATIC 220V 1900W	ELEMENT MONDO/MATIC 220V 1900W ELEMENT MONDO/MATIC 220V 1900W
6.301.009.000	PTC ELEMENT 110/240V PTC-ELEMENT 110/240V	ELEMENT PTC 110/240V WARMHOUELEMENT 110/240V
6.301.019.001	NIPPLE NIPPEL	DOUILLE NIPPEL
6.301.020.000	WIRE (WHITE) DRAHT (WEISS)	FIL (BLANC) DRAAD WIT
6.301.021.000	WIRE (BLACK) DRAHT (SCHWARZ)	FIL (NOIR) DRAAD ZWART
6.301.044.001	PRESSING PLATE DRUCKPLATTE	PLAQUE A PRESSION AANDRUKPLAAT
6.301.045.001	SPRING FEDER	RESSORT VEER
6.301.200.001	LID DECKEL	COUVERCLE AFDEKKAP
6.301.004.000	Heizplatte	