

# MOD: XF023

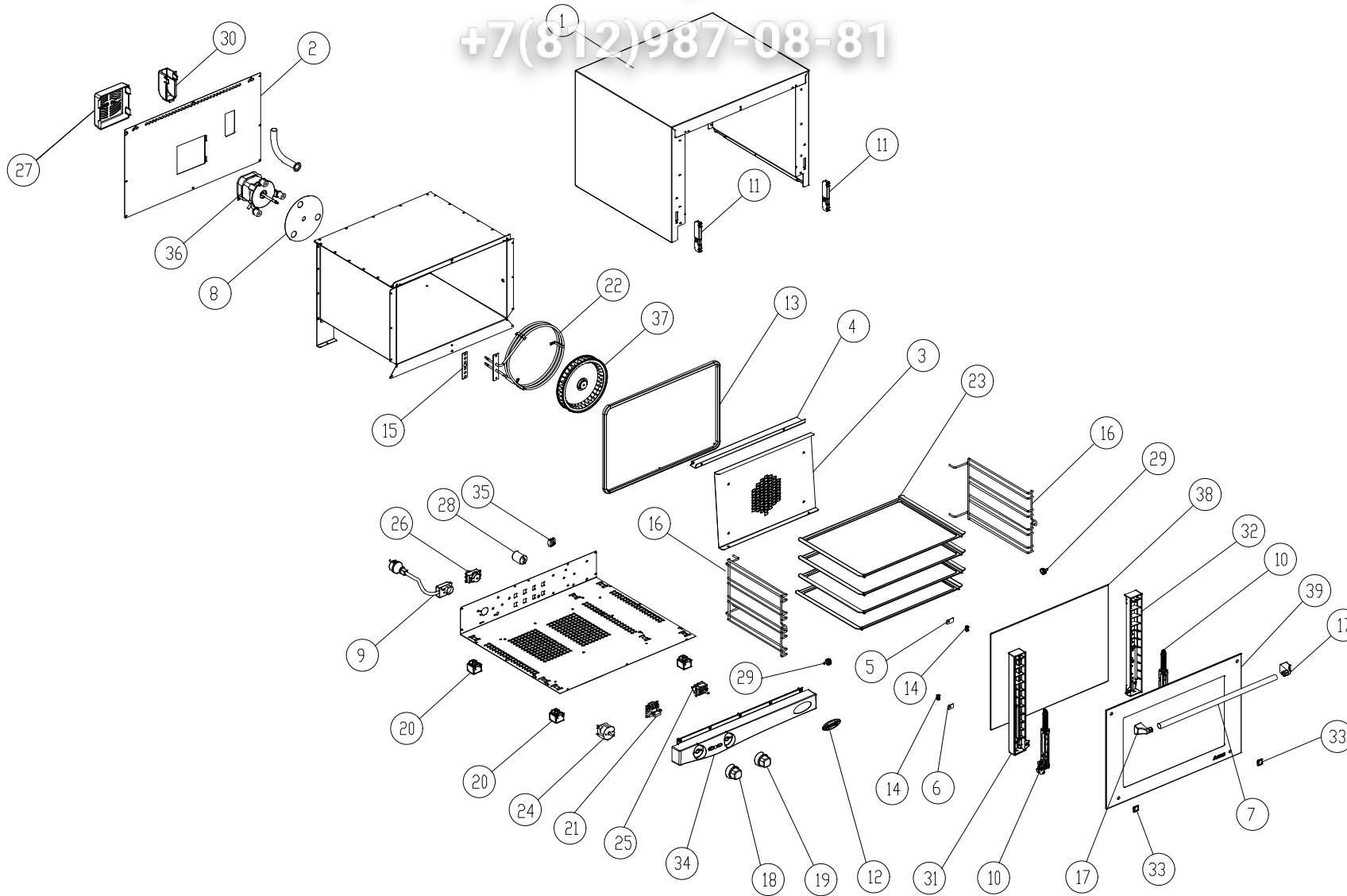
Зип Общепит

## EXPLODED VIEW DISEGNO ESPLOSO



vsezip.ru

+7(812)987-08-81



### LEGEND - LEGENDA

1	OD1585A0
2	OF1200A0
3	OG1220A0
4	OG1230A0
5	OH3110A0
6	OH3111A0
7	OH3195A0
8	OH3585A0
9	CE116
10	CR1065A0
11	CR1070A0
12	ED1070A0
13	GN1235A0
14	GN1240A0
15	GN224
16	GRL1090A0
17	MG1015A0
18	MN1100A0
19	MN1101A0
20	PD1001A0
21	PE1510A0
22	RS1130A0
23	TG305
24	TM1005A0
25	TR006
26	TR254
27	VE1102A0
28	VE1145A0
29	VI1035A1
30	VM1065A0
31	VM1375A0
32	VM1376A0
33	VM1380A0
34	VM1390A0
35	VM250
36	VN1035B0
37	VN1050A2
38	VT1155A0
39	VT1156A1

# MOD: XF023

## Зип Общепит

# EXPLODED VIEW DISEGNO ESPLOSO



### DESCRIZIONE CODICI

vsezip.ru

+7(812)987-08-81

1	OD1585A0	MANTELLO INOX L. MICRO ANNA
2	OF1200A0	SCHIENA ZINCATA L. MICRO ANNA
3	OG1220A0	CARTER ARIA INOX L. MICRO ANNA
4	OG1230A0	DIVISORIO CARTER ARIA INOX L. MICRO ANNA
5	OH3110A0	PIASTRINA SUPERIORE FERMA VETRO INOX L. MICRO
6	OH3111A0	PIASTRINA INFERIORE FERMA VETRO INOX L. MICRO
7	OH3195A0	TUBO MANIGLIA D-EST=18 SP=1 L=508 INOX XF013-XF023
8	OH3585A0	LAMIERA PROTEZIONE MOTORE ZINCATO L.M.
9	CE116	CAVO 3x1,5 H07RN-F MT1,5+K1/3+SCHUK
10	CR1065A0	CERNIERA PORTA FORNO RIBALTA L.C. ANNA
11	CR1070A0	ATTACCO CERNIERA PORTA FORNO RIBALTA L.C.
12	ED1070A0	ETICHETTA UNOX ELLISSE 78x33 ARGENTO CON BORDO EST.
13	GN1235A0	GUARNIZIONE L. MICRO ANNA
14	GN1240A0	GUARNIZIONE COLONNINA-VETRO SILICONE NERO L. MICRO
15	GN224	GUARN.PTFE+CARB 100x22x0,8sp-c/fori 1999
16	GRL1090A0	GRIGLIA LATERALE DX/SX CROMATA 4TG 460X330 L.MICRO AN
17	MG1015A0	TERMINALE MANIGLIA L.M.
18	MN1100A0	MANOPOLA SERIGR. TIMER 0-60 MIN L. MICRO
19	MN1101A0	MANOPOLA SERIGR. TERMOSTATO 80-300°C L. MICRO
20	PD1001A0	PIEDINO 35X35 H26 PLASTICA+GOMMA GRIGIO
21	PE1510A0	SCHEDA LED LINE COMPACT
22	RS1130A0	RESISTENZA CIRCOLARE D=230 3 SPIRE H46 2900W 230V
23	TG305	TEGLIA 460x330 PIANA ALLUMINIO
24	TM1005A0	TIMER M12 60 MIN 250V 16A
25	TR006	TERMOSTATO 50-295°C 55.19052.861
26	TR254	TERM.SIC.BIP.335°C RIARMO MANUALE
27	VE1102A0	CUFFIA COPRI MOTORE IN PLASTICA L.M. CRI-STE-ARI
28	VE1145A0	CONDENSATORE 3,5 µF 450 Vac 50/60 Hz
29	VI1035A1	NOTTOLINO M6x12,5 CON TAGLIO OTT.CROM.FERMA GRIGLIE X
30	VM1065A0	CUFFIA COPRI CAMINO FUMI L.M.
31	VM1375A0	COLONNINA SX PORTA L. MICRO ANNA
32	VM1376A0	COLONNINA DX PORTA L. MICRO ANNA
33	VM1380A0	TAPPO FISSAGGIO VETRO-PORTA L. MICRO
34	VM1390A0	CRUSCOTTO COMANDI L. MICRO LISA-ANNA
35	VM250	MORSETT.A.PETTINE
36	VN1035B0	MOTORE SISME 230 VAC LINE MISS
37	VN1050A2	VENTOLA D=196 H=32 38 PALE INOX DADO M6
38	VT1155A0	VETRO INTERNO 512X362X4 BETFL L.MICRO ANNA
39	VT1156A1	VETRO ESTERNO SER. 590X382X4 CHIARO L.MICRO ANNA

### DESCRIPTION

1	OD1585A0	
2	OF1200A0	
3	OG1220A0	
4	OG1230A0	
5	OH3110A0	
6	OH3111A0	
7	OH3195A0	
8	OH3585A0	
9	CE116	EL.CABLE 3x1.5 H07RN-F MT1,5+K1/3+SCHUKO
10	CR1065A0	
11	CR1070A0	
12	ED1070A0	UNOX ELLIPTICAL STICKER 78x33-SILVER WITH EXTERNAL FRAME
13	GN1235A0	
14	GN1240A0	
15	GN224	PTFE+CARB 100x22x0,8sp-w/holes 1999 GASKET
16	GRL1090A0	
17	MG1015A0	HANDLE END L.M.
18	MN1100A0	
19	MN1101A0	
20	PD1001A0	FOOT 35X35 H26 GREY PLASTIC+RUBBER
21	PE1510A0	
22	RS1130A0	CIRC.HEAT.ELEMENT D=230 3 TURNS H46 2900W 230V
23	TG305	TRAY 460x330 FLAT ALUMINIUM
24	TM1005A0	
25	TR006	THERMOSTAT 50-295°C 55.19052.861
26	TR254	SECURITY THERMOSTAT BIP. 335°C
27	VE1102A0	PLASTIC COVER FOR MOTOR L.M. CRI-STE-ARI
28	VE1145A0	CONDENSER 3.5 µF 450 Vac 50/60 Hz
29	VI1035A1	CHROMIUM PLATED BRASS NUT M6x12,5 TO STOP LATERAL SUP
30	VM1065A0	PLASTIC COVER FOR FUMES CHIMNEY L.M.
31	VM1375A0	
32	VM1376A0	
33	VM1380A0	
34	VM1390A0	
35	VM250	"COMB" TERMINAL BOARD
36	VN1035B0	
37	VN1050A2	FAN D=196 H=32 38 STAINLESS STEEL BLADES NUT M6
38	VT1155A0	
39	VT1156A1	