



Macinadosatori

MAC64

MAC64 On Demand

**CATALOGO RICAMBI
SPARE PARTS CATALOGUE
CATALOGUE PIÈCES DÉTACHÉES
ERSATZTEILKATALOG**

Зип Общепит

vsezip.ru

+7(812)987-08-81

- 03 - PER LA RICHIESTA DI PEZZI DI RICAMBIO - FOR SPARE PARTS ORDERS
POUR LES COMMANDES DE PIECES DETACHEES - FÜR ERSATZTEILBESTELLUNGEN**

- 04 - DOSATORE MAC64 - COFFEE DOSING MAC64
DOSEUR CAFE MAC64 - KAFFERRDOSIER MAC64**

- 06 - MACINADOSATORE MAC64 - COFFEE DOSING GRINDER MAC64
MOULIN DOSEUR CAFE MAC64 - KAFFERRDOSIERMUEHLE MAC64**

- 08 - DOSATORE MAC64 On Demand - COFFEE DOSING MAC64 On Demand
DOSEUR CAFE MAC64 On Demand - KAFFERRDOSIER MAC64 On Demand**

- 10 - MACINADOSATORE MAC64 On Demand - COFFEE DOSING GRINDER MAC64 On Demand
MOULIN DOSEUR CAFE MAC64 On Demand - KAFFERRDOSIERMUEHLE MAC64 On Demand**

REV. N°	DATA / DATE / DATUM	MODIFICA / CHANGE / MODIFICATION / VERÄNDERUNG
0	12/2007	EMISSIONE DOCUMENTO
1	01/2009	REVISIONE GENERALE
2	04/2010	AGGIUNTO MODELLO MAC64OD

Зип-Общепит

vsezip.ru

+7(812)987-08-81

IMPORTANTE!

Per la richiesta dei pezzi di ricambio citare:

- Numero di codice del pezzo
- Denominazione
- Per i codici che presentano due asterischi * *, specificare il colore
- Quantità richiesta
- Pagina

MANCANDO I DATI RICHIESTI, L'ORDINE NON POTRÀ ESSERE EVASO

IMPORTANT!

For spare parts order, please mention:

- Spare part code number
- Denomination
- If you find code numbers with two asterisks * * please specify the requested color
- Requested quantity
- Page

IF REQUESTED DATA ARE MISSING, THE ORDER CANNOT BE EXECUTED

IMPORTANT!

Pour toutes commandes de pièces détachées, mentionner svp:

- Numero de référence
- Denomination
- Si les numeros de référence ont deux astérisques * *, spécifier la couleur
- Quantité demandée
- Page

LA COMMANDE NE POURRA PAS ÊTRE EXECUTÉE SANS CES DONÉES

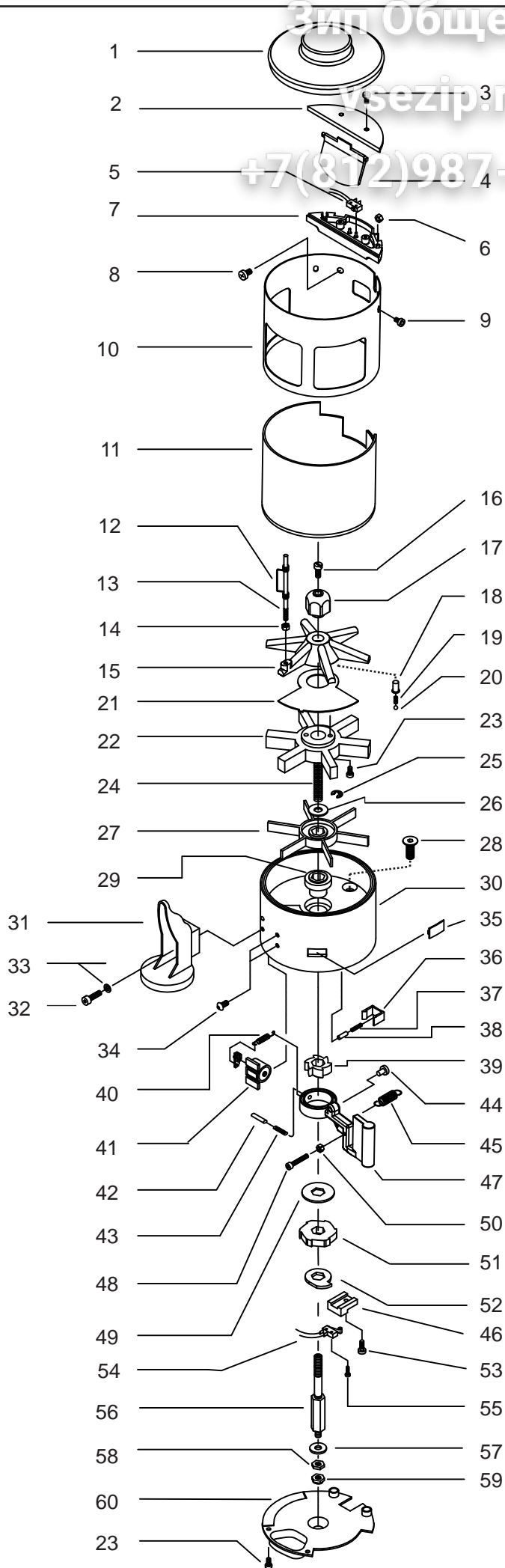
WICHTIG!

Jede Ersatzteilebestellung soll folgende Angaben beinhalten:

- Identnummer
- Bezeichnung
- Bei Identnummer mit zwei Asterisken * *, muß die Farbe angegeben werden
- Gewünschte Menge
- Seite

**DER AUFTRAG KANN NICHT BEARBEITET WERDEN,
WENN OBENGENANNT ANGABEN FEHLEN**

Numero di codice Code number Numero de référence Identnummer	Denominazione Denominatio Denomination Bezeichnung	Quantità Quantity Quantité Menge	Pagina Page Page Seite

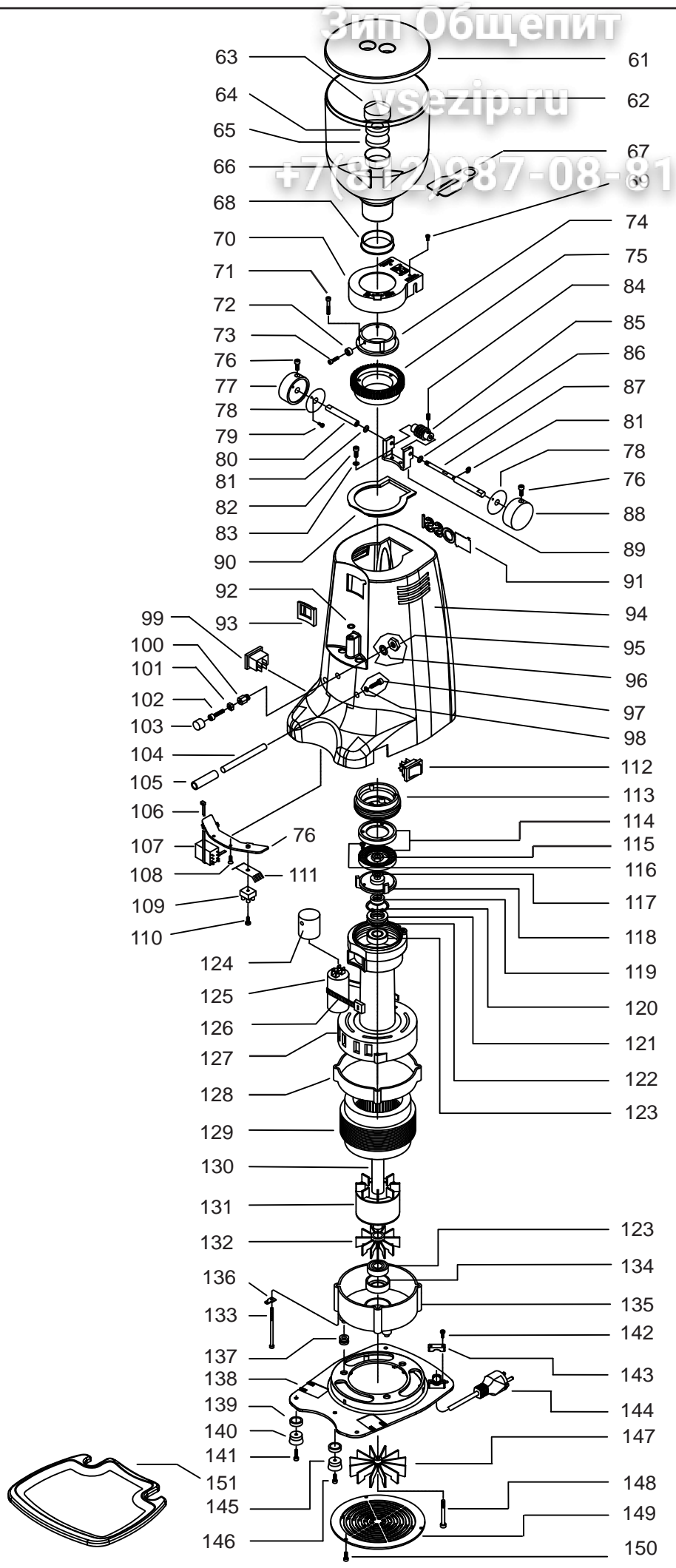


Зип Общепит

vsezip.ru

7(812)987481

IT				GB
1	18078.0.00.02	COPERCHIO DOSATORE MAC (M6255)	MAC COVER DOSATORE	
2	18308.0.00.02	COPERCHIO CONTENITORE MICRO (M6259)	COVER MICRO CONTAINER	
3	20103.0.00.03	VITE TC 3.9X12	SCREW 3.9X12	
4	18309.0.00.02	LAMIERINO PREMIO MICRO M6257	LAMINATION MICRO PRIZES	
5	20033.2.00.08	CAVO CABLATO X DOSAT MAC	WIRED CABLE	
6	02692.0.00.03	DADO 4MA INOX	INOX NUT 4MA	
7	18307.0.00.02	CONTENITORE MICRO (M6258)	MICRO CONTAINER	
8	12182.0.00.03	VITE TCB 5X8 CALOTTA RR (1246/10)	SCREW TCB 5X8	
9	20104.0.00.03	VITE TBCE 4X8 INOX	INOX SCREW TBCE 4X8	
10	20060.0.40.01	ANELLO X PLEXIGLASS	RING FOR PLEXIGLASS	
11	18077.0.00.02	PLEXIGLASS DOSATORE MAC M6256	MAC PLEXIGLASS DOSATORE	
12	02215.0.00.03	MOLLA SAGOMATA DX (2017)	SPRING	
13	19966.0.00.04	ASTA	ROD	
14	20100.0.00.03	DADO 4MA UNI 5587	NUT 4MA UNI 5587	
15	20135.0.00.02	STELLA SUPERIORE	SUPERIOR STAR	
16	02669.0.00.03	VITE TC 5X12	VSCREW TC 5X12	
17	20139.0.00.02	POMOLO REGOLAZIONE DOSE	KNOB DOSE REGULATION	
18	19967.0.00.04	BUSSOLA X SFERA	BUSHING FOR SPHERE	
19	20114.0.00.03	MOLLA	SPRING	
20	12165.0.00.03	SFERA 5/322 INOX (M2501)	SPHERA 5/322 INOX (M2501)	
21	20061.0.10.01	LAMIERINO TAGLIDOSE	LAMINATION	
22	20134.0.00.02	STELLA X INTERMEDIA	INTERMEDIATE STAR	
23	20096.0.00.03	VITE MX PH CIL. 4X8 FORMEX T. D7,5	SCREW MX PH CIL. 4X8 FORMEX T. D7,5	
24	20101.0.00.02	MOLLA X STELLA	SPRING FOR STAR	
25	20102.0.00.03	SEEGER D.1,6 BRUNITO	SEEGER D.1,6	
26	12164.0.00.03	ROND. D.21X8,4X1,5 UN1739 (S1689)	WASHER D.21X8,4X1,5 UN1739 (S1689)	
27	20133.0.00.02	STELLA INFERIORE	INFERIOR STAR	
28	01313.0.00.03	VITE TSPA1 M8X20 ZINCATA X R80 1218.10	SCREW TSPA1 M8X20	
29	08563.0.00.02	GUIDA X PERNO R/80 (2726)	GUIDE FOR GUDGEON	
30	18192.0.00.01	SCATOLA DOSATORE DX/SX VERNIC (7401)	LEFT DOSATORE BOX	
31	00797.0.00.02	PRESSINO IN ABS NERO	COFFEE PRESSER	
32	20098.0.00.03	VITE TCCE 5X18	SCREW TCCE 5X18	
33	01289.0.00.03	RONDELLA RDE5	WASHER RDE5	
34	20099.0.00.03	VITE TBCE 5X10	SCREW TBCE 5X10	
35	17178.0.00.02	TAPPO PER FINESTRA ABS (M7404)	STOPPER FOR WINDOW (M7404)	
36	20132.0.00.02	TAPPO GUIDA MOLLA ABS (M7403)	GUIDE SPRING STOPPER	
37	17685.0.00.03	MOLLA X CRICCHETTO Ø3,6 L.14 (2066) RR45	SPRING Ø3,6 L.14 (2066) RR45	
38	19690.0.00.04	PERNO X CRICCHETTO	GUDGEON FOR GEAR	
39	01462.0.00.02	CRICCHETTO R80 (2633.1)	GEAR R80 (2633.1)	
40	17686.0.00.03	MOLLA X CONTACOLPI Ø5 L.34 (2037) RR45	SPRING Ø5 L.34 (2037) RR45	
41	00897.0.00.03	MOLLA DX X PERNO SAG. R80A (2020)	GIDGEON RIGHT SPRING	
42	09753.0.00.04	PERNO OTTONE D.4X16 X RR-45 (4296)	BRASS GUDGEON D.4X16 X RR-45 (4296)	
43	02211.0.00.03	MOLLA X LEVA R80 (2019)	SPRINGFOR LEVER	
44	12757.0.00.02	PARACOLPI DOSATORE RR45 (3395.10)	DOSATOR BUMPER	
45	17684.0.00.03	MOLLA A RECUPERO LEVA DOSATORE (2049)	DISCOVERY DOSATOR LEVER SPRING	
46	18076.0.00.02	SUPP.MICRO INFERIORE (M6261)	LOWER MICRO SUPPORT (M 6261)	
47	19964.0.10.04	LEVA DOSATORE MAC CROMATA	MAC DOSATOR LEVER	
48	12189.0.00.03	VITE TCEI 4X25 BRUNITA (1063)	SCREW TCEI 4X25 BRUNITA (1063)	
49	01308.0.00.03	RONDELLA PIANA 35 CH 13X1,5/3913.1	WASHER 35 CH 13X1,5/3913.1	
50	20100.0.00.03	DADO 4MA BRUNITO	NUT 4MA BRUNITO	
51	18064.0.00.02	CRICCHETTO	GEAR	
52	19074.0.00.02	CAMMA INFERIORE	INFERIOR CAM	
53	20107.0.00.03	VITE TCCE 4X12	SCREW TCCE 4X12	
54	20035.2.00.08	CAVO CABLATO	WIRED CABLE	
55	20118.0.00.03	VITE TCP 2,2X12,87	VITE TCP 2,2X12,87	
56	19963.0.00.04	PERNO PER DOSATORE	GUDGEON	
57	12187.0.00.03	RONDELLA	WASHER	
58	12186.0.00.03	DADO 6MA (M1510)	NUT 6MA (M1510)	
59	20110.0.00.03	DADO 4 MA	NUT 4 MA	
60	17176.0.00.02	COPERCHIO INFERIORE (M7402)	INFERIOR COVER	



Зип Общежит

vsezi.ru

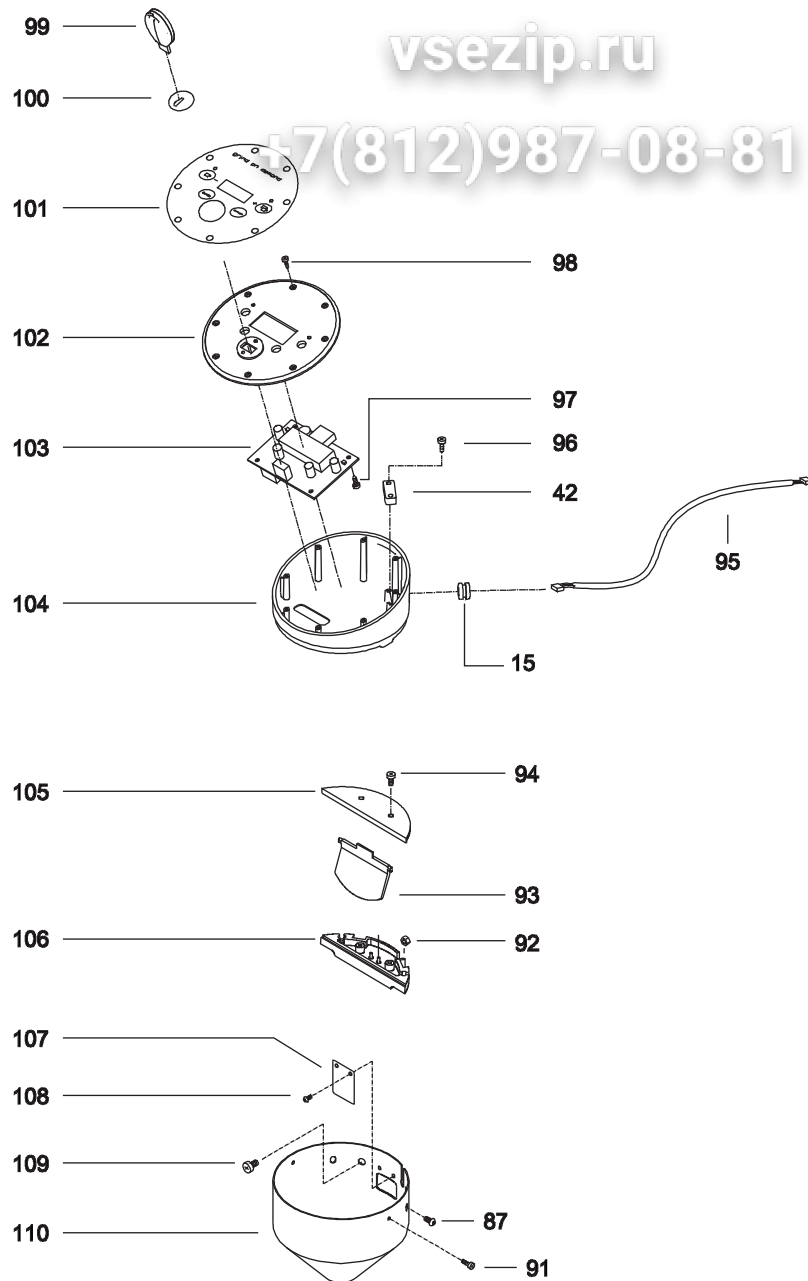
+7(812)9800081

IT	Code	Description	Description	GB
61	01471.0.00.02	COPERCHIO CAMPANA CILINDRICA	BELL COVER	
62	19937.0.00.02	CAMPANA RAGGIATA	COVER	
63	11413.0.00.02	GUSCIO SUPERIORE	FLUPPER CASING	
64	11245.0.00.08	MAGNETE	MAGNET	
65	12753.0.00.02	ANTIVIBRANTE	VIBRATION VAMPER	
66	11414.0.00.02	GUSCIO INFERIORE	FLUPPER CASING	
67	01771.0.40.01	LAMIERINO DI CHIUSURA	CLOSED LAMINATION	
68	13920.0.00.02	COLLARE X CAMPANA	BELL COLLAR	
69	19632.0.00.03	VITE TC 3X8 ZINCATA NERO IMPRONTA PH	SCREW TC 3X8 ZINCATA NERO IMPRONTA PH	
70	18074.0.00.02	CARTER NYLON	NYLON CARTER	
71	07090.0.00.03	VITE TCCE 4X30	SCREW TCCE 4X30	
72	20116.0.00.03	RONDELLA BLOCCAGGIO CARTER	WASHER	
73	16098.0.00.03	VITE TC 4X12 INOX	SCREW TC 4X12 INOX	
74	20140.0.00.02	ANELLO ADATTATORE PER CAMPANA	BELL ADAPTER RING	
75	18075.0.00.02	BOCCHETTONE REGOL.MACINATUR	GRINDING REGULATING UNION	
76	01341.0.00.03	VITE TCCE 5X16	SCREW TCCE 5X16	
77	20142.0.00.02	MANOPOLA CON INSERTO CROMATO	GRIP HANDLE	
78	20063.0.40.01	PIATTELLO PER POMOLO	PLATE FOR KNURL	
79	20104.0.00.03	VITE TBCE 4X8	SCREW TBCE 4X8	
80	19969.0.00.04	PERNO DI BLOCCAGGIO	GUDGEON	
81	13976.0.00.03	RONDELLA PS 6X12X0,5	WASHER PS 6X12X0,5	
82	20105.0.00.03	VITE TCCE 5X14 UNI5931	SCREW TCCE 5X14 UNI5931	
83	12184.0.00.03	RONDELLA D.11X5.3X1 BRUNITA	WASHER D.11X5.3X1 BRUNITA	
84	01335.0.00.03	GRANO A CE 5X5	GRAIN CE 5X5	
85	19965.0.00.04	CHIOCCIOLA PER REGOLAZIONE MICROMETRICA	MICROMETER REGULATION LEADNUT	
86	13976.0.00.03	RONDELLA 12X6X0,5 (1630) MC	WASHER 12X6X0,5 (1630) MC	
87	19968.0.00.04	ASTA PER VITE SENZA FINE	ROD FOR SCREW	
88	20142.0.00.02	MANOPOLA CON INSERTO CROMATO	GRIP HANDLE	
89	18073.0.00.02	SUPPORTO CHIOCCIOLA MAC	MAC LEADNUT SUPPORT	
90	20138.0.00.02	COLLARE D.64 NBR 60 SHORE	COLLAR D.64 NBR 60 SHORE	
91	20143.0.00.02	SCRITTA ROSSI 3D	ROSSI WRITE 3D	
92	20111.0.00.03	RONDELLA RDE 8 BRUNITA	WASHER RDE 8 BRUNITA	
93	19086.0.00.02	GUARNIZIONE BOCCA USCITA CAFFE'	GASKET	
94	20058.0.20.01	CORPO GREZZO MAC64	ROUGH BODY MAC64	
95	20119.0.00.03	DADO M10X1 SP.5	NUT M10X1 SP.5	
96	20112.0.00.03	RONDELLA RDE 10	WASHER RDE 10	
97	20106.0.00.03	VITE TCCE 4X16 UNI5931	SCREW TCCE 4X16 UNI5931	
98	20113.0.00.03	RONDELLA RDE 4 UNI3703	WASHER RDE 4 UNI3703	
99	19668.2.00.08	PULSANTE START	START PUSH-BOTTON	
100	19604.0.00.03	BUSSOLA REGOLAZIONE PORTAFILTRO	FILTER HOLDER REGULATION BUSHING	
101	03800.0.00.03	DADO 6MA UNI5588	NUT 6MA UNI5588	
102	02694.0.00.03	VITE TCCE 6X30 UNI5931	SCREW TCCE 6X30 UNI5931	
103	18310.0.00.02	AMMORTIZZATORE	SHOCK-ABSORBER	
104	19688.0.00.04	GUIDA PORTAFILTR	GUIDE	
105	20141.0.00.02	IMPUGNATURA Ø10 NERA	BLACK GRIP Ø10	
106	20137.0.00.02	FASCETTA UL	UL CLAMP	
107	01955.2.00.08	RELE' BIP. 55.32.8.230.0040 10A 250V)	RELE' BIP. 55.32.8.230.0040 10A 250V)	
108	20103.0.00.03	VITE TC 3,9X12 IM. CROCE AUTOF. INOX	SCREW TC 3,9X12 IM. CROCE AUTOF. INOX	
109	20109.0.00.03	VITE TC 2,9X19,05INOX AUTOF.	SCREW TC 2,9X19,05INOX AUTOF.	
110	20108.0.00.03	VITE AUTOF.TCP 2,9X15,87	SCREW AUTOF.TCP 2,9X15,87	
111	20034.0.00.08	STECCHIE ISOLANTI 24 POLI PA 52	INSULATING MATERIAL STICKS	
112	03632.2.00.08	INTERRUTTORE LUMINOSO V.220	LUMINOUS SWITCH V.220	
113	19938.0.00.02	BOCCHETTONE PORTAMACINA	UNION MILLSTONE HOLDER	
114	19164.3.00.04	COPPIA MACINE Ø64	MILLSTONE COUPLE Ø64	
115	02691.0.00.03	DADO M10X1,25 BRUNITO UNI5589	NUT M10X1,25 BRUNITO UNI5589	
116	20096.0.00.03	VITE FORME 4X8	SCREW FORME 4X8	
117	19635.0.00.03	RONDELLA 16X10X1.2	WASHER 16X10X1.2	
118	02077.0.00.04	PORTAMACINO	MILLSTONE HOLDER	
119	05351.0.00.04	GHIERA FILETTATA	NUT	
120	05504.0.00.03	SEEGER DI 35	SEEGER DI 35	
121	19636.0.00.03	RONDELLA FERMA CUSCINETTO	WASHER	
122	20093.0.00.03	ANELLO DI COMPENSAZIONE	COMPENTION RING	
123	05507.0.00.03	CUSCINETTO 6202-2RS	BEARING 6202-2RS	
124	20136.0.00.02	PROTEZIONE PER CONDENSATORE	CONDENSER PROCTET	
125	09406.2.00.08	CONDENSATORE 16MF	CONDENSER 16MF	
126	20131.0.00.02	FASCETTA NYLON	NYLON CLAMP	
127	20059.0.00.01	CALICE MAC64	GOBLET MAC64	
128	19084.0.00.02	ANELLO DISTANZ.CALICE/CALOTTA1/3HP	GOBLET7CAP SPACER RING 1/3HP	
129	20031.2.00.08	STATORE H55 230/50 350W MAC	STATOR H55 230/50 350W MAC	
130	19962.0.00.04	ALBERO MOTORE MAC64	MAC64 MOTOR SHAFT	
131	20032.2.00.08	ROTORE H55 MAC64	MAC64 ROTOR H55	
132	11425.0.00.02	VENTOLA 12 PALE	12 BLADES FAN	
133				
134	11757.0.00.04	CALOTTA X CUSCINETTO	BEARIG CAP	
135	02025.0.00.04	CALOTTA MOTORE	MOTOR CAP	
136	14054.0.00.08	LINGUETTA FASTON	FASTON	
137	13919.0.00.02	AMMORTIZZATORI	SHOCK-ABSORBER	
138	19939.0.00.02	BASAMENTO GREZZO	ROUGH BEDFRAME	
139	19940.0.00.02	CONTENITORE PER TENUTA	TIGHTNESS CASE	
140	18954.0.00.02	PIEDINO SOSTEGNO MAC	MAC FOOT SUPPORT	
141	05569.0.00.03	VITE TSP 3X6 UNI6109	SCREW TSP 3X6 UNI6109	
142	19361.0.00.03	VITE TB AUTOMS. 4X12 BN1023	SCREW TB AUTOMS. 4X12 BN1023	
143	18686.0.00.02	CAVALLOTTO X MAC	CABLE PROTECTION	
144	12807.2.00.08	CAVO CON SPINA SHUKO	SHUKO CABLE	
145	18953.0.00.02	PIEDINO BLOCCA PATTINO MAC	MAC FOOT	
146	12912.0.00.03	VITE FORMEX MX PH CIL.5X12	SCREW FORMEX MX PH CIL.5X12	
147	18684.0.00.02	VENTOLA MAC64	MAC64 FAN	
148	20117.0.00.03	VITE TCCE 6X25 SINISTRA	LEFT SCREW TCCE 6X25	
149	18685.0.00.02	GRIGLIA X MAC	MAC GRATE	
150	20096.0.00.03	VITE MX PH CIL.4X8 ZC FORMEX T.D7,5	SCREW MX PH CIL.4X8 ZC FORMEX T.D7,5	
151	20062.0.40.01	PIATTINO INOX RECUPERO CAFFE' MAC	RECOVERY COFFEE INOX PLATE	

Зип Ощепит

vsezip.ru

+7(812)987-08-81



IT

- 15 - 13919.0.00.02 AMMORTIZZATORI
- 42 - 18686.0.00.02 CAVALLOTTO X MAC
- 87 - 20104.0.00.03 VITE TBCE 4X8 INOX
- 91 - 1323 VITE AUTOFILETTANTE TCP 2,9X6,35 IMPR.CROCE
- 92 - 1502.20 DADO 4MA UNI5588 INOX
- 93 - 18309.0.00.02 LAMIERINO PREMIMICRO
- 94 - 20103.0.00.03 VITE TSP 3,9X12 IM.CROCE AUTOF.INOX
- 95 - 22505.2.00.08 CAVO DI COLLEGAMENTO X SCHEDE OD
- 96 - 07839.0.00.03 VITE TCP 3,5X16 DIN7981 AUTOFIL.
- 98 - 19632.0.00.03 VITE TC 3X8 ZINC.NERO IMPRONTA PH
- 99 - 4370.000 CHIAVE RICARICA OD DE LUXE
- 100 - 22767.0.00.02 COPERTURA PORTA USB OD DE LUXE
- 101 - 4369 MEMBRANA PULSANTIERA OD DELUXE
- 102 - 22769.0.00.02 SUPPORTO TASTIERA DOSATORE OD DE LUXE
- 103 - SE-OD3 PULS PULS. DISPLAY 4 TASTI 2 LED X OD DELUXE
- 104 - 4373 COPERCHIO DOSATORE OD DE LUXE
- 105 - 18308.0.00.02 COPERCHIO CONTENITORE MICRO D.6463 B.18308
- 106 - 18307.0.00.02 CONTENITORE MICRO
- 107 - 21235.0.40.01 LAMIERINO X BOCCA USCITA CAFFE'
- 108 - 21098.0.00.03 VITE TBCE 3X6 ISO 7380 INOX
- 109 - 20096.0.00.03 VITE MX PH CIL.4X8 ZC FORMEX
- 110 - 21234.0.40.01 IMBUTO

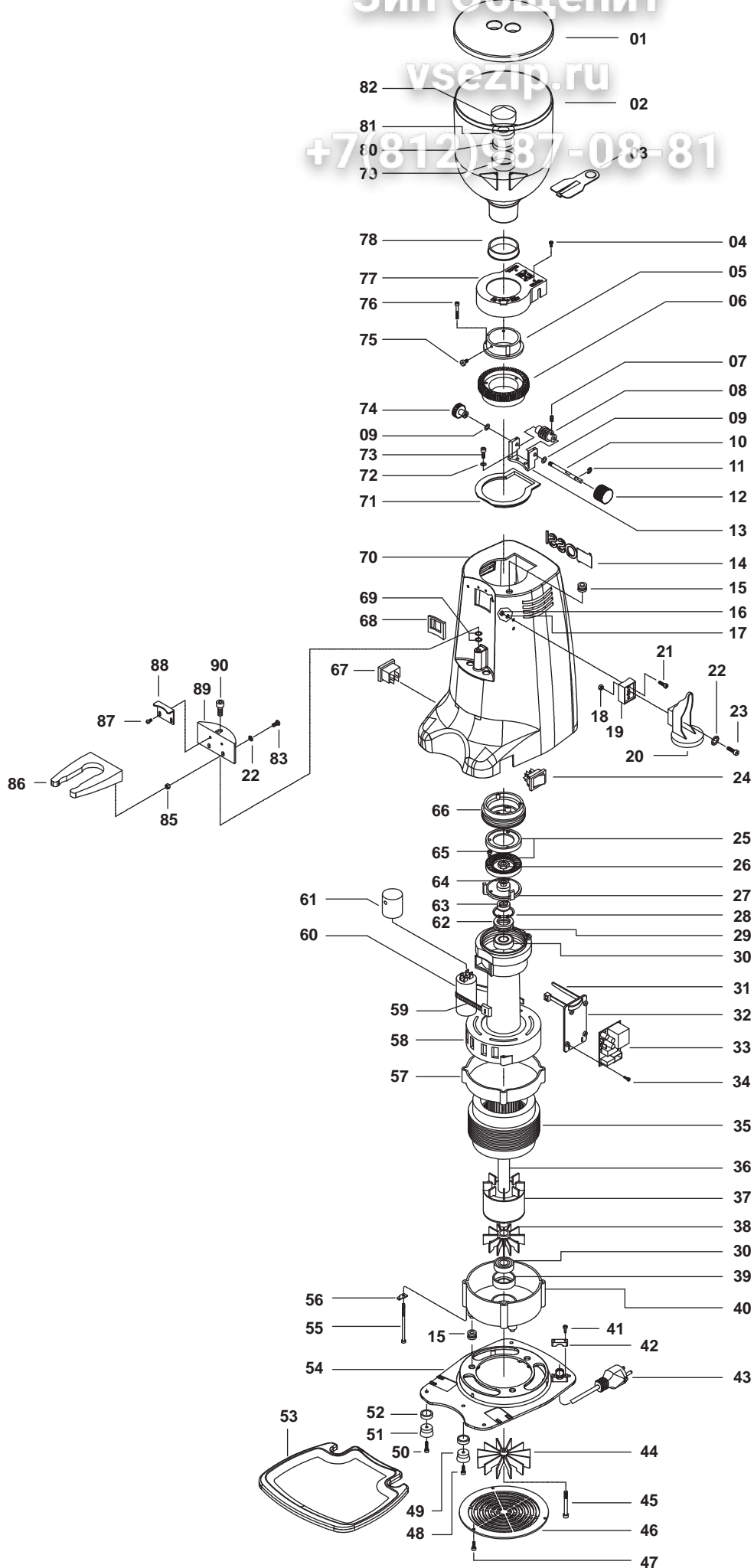
- SHOCK-ABSORBER
- CABLE PROTECTION
- INOX SCREW TBCE 4X8
- SCREW TCP 2,9X6,35
- NUT 4MA UNI5588
- SHEET FOR MICRO SWITCH PRESSURE
- SCREW TSP 3,9X12
- CONNECTING CABLE FOR OD CARD
- SCREW TCP 3,5X16 DIN7981
- SCREW TC 3X8
- RELOAD KEY FOR OD DELUXE GRINDER
- COVER USB OD DE LUXE
- KEYBOARD COVER RUBBER
- DOSER KEYBOARD SUPPORT OD DE LUXE
- DISPLAY KEYBOARD 4 PUSH-BUTTONS 2 LED X OD DELUXE
- DOSER LID
- MICRO CONTAINER LID
- MICRO CONTAINER
- SHEET
- SCREW TBCE 3X6 ISO 7380
- SCREW MX PH CIL.4X8 ZC
- FUNNEL

GB

Зип Общепит

vsezip.ru

+7 812 737 08 81



Зип Общежит

IT				GB
01	- 01471.0.00.02	COPERCHIO CAMPANA CILINDRICA	BELL COVER	
02	- 19937.0.00.02	CAMPANA RAGGIATA	COVER	
03	- 01771.0.40.01	LAMIERINO DI CHIUSURA	CLOSED LAMINATION	
04	- 19632.0.00.03	VITE TC 3X8 ZINCATA NERO IMPRONTA PH	SCREW TC 3X8 ZINCATA NERO IMPRONTA PH	
05	- 20140.0.00.02	ANELLO ADATTATORE PER CAMPANA	BELL ADAPTER RING	
06	- 18075.0.00.02	BOCCHETTONE REGOLAZIONE MACINATURA	GRINDING ADJUSTMENT RING	
07	- 01335.0.00.03	GRANO A CE 5X5	GRAIN CE 5X5	
08	- 19965.0.00.04	CHIOCCIOLA PER REGOLAZIONE MICROMETRICA	MICROMETER REGULATION LEADNUT	
09	- 13976.0.00.03	RONDELLA 12X6X0,5 (1630) MC	WASHER 12X6X0,5 (1630) MC	
10	- 22975.0.00.04	ASTA PER VITE SENZA FINE	ROD FOR SCREW	
11	- 20115.0.00.03	SEEGER RS5	SEEGER RS5	
12	- 22934.0.00.02	MANOPOLA REGOLAZIONE MACINATURA	GRINDING ADJUSTMENT HANDLE	
13	- 18073.0.00.02	SUPPORTO CHIOCCIOLA MAC	MAC LEADNUT SUPPORT	
14	- 20143.0.00.02	SCRITTA ROSSI 3D	ROSSI LOGO 3D	
15	- 13919.0.00.02	AMMORTIZZATORE 80-110-40	BUFFER 80-110-40	
16	- 02692.0.00.03	DADO M4 INOX	NUT M4 INOX	
17	- 20113.0.00.03	RONDELLA RDE 4	WASHER RDE 4	
18	- 18073.0.00.03	DADO M5 UNI5587 BRUNITO	NUT M5 UNI5587	
19	- 21071.0.00.02	DISTANZIALE NERO	BLACK DISTANCE PIECE	
20	- 00797.0.00.02	PRESSINO	PRESSER	
21	- 22591.0.00.03	VITE TCCE 4X16 UNI9327	SCREW TCCE 4X16 UNI9327	
22	- 01309.0.00.03	RONDELLA RDE 5,3 BRUNITA	WASHER RDE 5,3	
23	- 20117.0.00.03	VITE TCCE 6X25 SINISTRA	LEFT SCREW TCCE 6X25	
24	- 03632.2.00.08	INTERRUTTORE LUMINOSO V.220	LUMINOUS SWITCH V.220	
25	- 19164.3.00.04	COPPIA MACINE Ø64	MILLSTONE COUPLE Ø64	
26	- 02691.0.00.03	DADO M10X1,25 BRUNITO UNI5589	NUT M10X1,25 UNI5589	
27	- 22976.0.00.04	PORTAMACINE	MILLSTONE HOLDER	
28	- 05504.0.00.03	SEEGER DI 35	SEEGER DI 35	
29	- 20093.0.00.03	ANELLO DI COMPENSAZIONE	COMPENTION RING	
30	- 05507.0.00.03	CUSCINETTO 6202-2RS	BEARING 6202-2RS	
31	- 11418.0.00.02	FASCETTA NYLON 4,8X250 SL25	NYLON CLAMP 4,8X250 SL25	
32	- 21072.0.00.02	PIASTRINA ABS/NYLON	ABS/NYLON PLATE	
33	- 23017.2.00.08	SCHEDA ELETTR. V220-240/50	MOTHERBOARD V220-240/50	
34	- 19608.0.00.03	VITE AUTOFILETTANTE TCP 2,9X6,35	SCREW TCP 2,9X6,35	
35	- 20031.2.00.08	STATORE H55 230/50 350W MAC	STATOR H55 230/50 350W MAC	
36	- 19962.0.00.04	ALBERO MOTORE MAC64	MAC64 MOTOR SHAFT	
37	- 20032.2.00.08	ROTORE H55 MAC64	MAC64 ROTOR H55	
38	- 11425.0.00.02	VENTOLA 12 PALE	12 BLADES FAN	
39	- 11757.0.00.04	CALOTTA X CUSCINETTO	BEARIG CAP	
40	- 02025.0.00.04	CALOTTA MOTORE	MOTOR CAP	
41	- 19631.0.00.03	VITE TB AUTOMS. 4X12 BN1023	SCREW TB AUTOMS. 4X12 BN1023	
42	- 18686.0.00.02	CAVALLOTTO X MAC	CABLE PROTECTION	
43	- 12807.2.00.08	CAVO CON SPINA SHUKO	SHUKO CABLE	
44	- 18684.0.00.02	VENTOLA MAC64	MAC64 FAN	
45	- 20117.0.00.03	VITE TCCE 6X25 SX BRUNITA	SCREW TCCE 6X25 LEFT	
46	- 18685.0.00.02	GRIGLIA X MAC	MAC GRATE	
47	- 20096.0.00.03	VITE MX PH CIL.4X8 ZC FORMEX T.D7,5	SCREW MX PH CIL.4X8 ZC FORMEX T.D7,5	
48	- 12912.0.00.03	VITE FORMEX MX PH CIL.5X12	SCREW FORMEX MX PH CIL.5X12	
49	- 18953.0.00.02	PIEDINO BLOCCA PATTINO MAC	MAC FOOT	
50	- 22596.0.00.03	VITE TCB 5X20 TRILOBATA	SCREW TSB 5X20	
51	- 18954.0.00.02	PIEDINO SOSTEGNO MAC	MAC FOOT SUPPORT	
52	- 19940.0.00.02	CONTENITORE PER TENUTA	TIGHTNESS CASE	
53	- 20062.0.40.01	PIATTINO INOX RECUPERO CAFFE' MAC	RECOVERY COFFEE INOX PLATE	
54	- 19939.0.00.02	BASAMENTO GREZZO	ROUGH BEDFRAME	
55	- 22593.0.00.03	VITE TE4X93 FIL.25mm C/ROD.FOSFAT.	SCREW TE4X93 THR.25mm	
56	- 14054.0.00.08	LINGUETTA FASTON	FASTON	
57	- 19084.0.00.02	ANELLO DISTANZ.CALICE/CALOTTA1/3HP	GOBLET7CAP SPACER RING 1/3HP	
58	- 20059.0.00.01	CALICE MAC64	GOBLET MAC64	
59	- 20131.0.00.02	FASCETTA NYLON	NYLON CLAMP	
60	- 05444.2.00.08	CONDENSATORE 16MF	CONDENSER 16MF	
61	- 21080.0.00.02	PROTEZIONE PER CONDENSATORE	CONDENSER PROCTET	
62	- 19636.0.00.03	RONDELLA FERMA CUSCINETTO	WASHER	
63	- 05351.0.00.04	GHIERA FILETTATA	RING NUT	
64	- 19635.0.00.03	RONDELLA 16X10X1.2	WASHER 16X10X1.2	
65	- 20096.0.00.03	VITE FORMEX 4X8	SCREW FORMEX 4X8	
66	- 19938.0.00.02	BOCCHETTONE PORTAMACINA	UNION MILLSTONE HOLDER	
67	- 22937.0.00.02	TAPPO COPRIFORO NERO	BLACK PLUG	
68	- 19086.0.00.02	GUARNIZIONE BOCCA USCITA CAFFE'	GASKET	
69	- 20111.0.00.03	RONDELLA RDE 8 BRUNITA	WASHER RDE 8	
70	- 20058.0.*.01	CORPO MAC64 DELUXE	BODY MAC64 DELUX	
71	- 20138.0.00.02	COLLARE D.64 NBR 60 SHORE	COLLAR D.64 NBR 60 SHORE	
72	- 12184.0.00.03	RONDELLA D.11X5.3X1 BRUNITA	WASHER D.11X5.3X1	
73	- 22592.0.00.03	VITE TCCE 5X16 UNI5931 BRUNITA	SCREW TCCE 5X16 UNI5931	
74	- 22935.0.00.02	POMOLO BLOCCAGGIO	GRIP HANDLE	
75	- 12912.0.00.03	VITE FORMEX 5X12	FORMEX SCREW 5X12	
76	- 07090.0.00.03	VITE TCCE 4X30	SCREW TCCE 4X30	
77	- 18074.0.00.02	CARTER NYLON	NYLON CARTER	
78	- 13920.0.00.02	COLLARE X CAMPANA	BELL COLLAR	
79	- 11414.0.00.02	GUSCIO INFERIORE	INFERIOR CASING	
80	- 12753.0.00.02	ANTIVIBRANTE	VIBRATION VAMPER	
81	- 11245.0.00.08	MAGNETE	MAGNET	
82	- 11413.0.00.02	GUSCIO SUPERIORE	HUPPER CASING	
83	- 20099.0.00.03	VITE TCEI 5X10 INOX	SCREW TCEI 5X10 INOX	
84	- 01309.0.00.03	RONDELLA RDE 5,3 BRUNITA	WASHER RDE 5,3	
85	- 22594.0.00.03	DADO M5 UNI5587 BRUNITO	NUT M5 UNI5587	
86	- 21774.0.00.02	FORCELLA	FORK	
87	- 20104.0.00.03	VITE TBCE 4X8 INOX	SCREW TBCE 4X8 INOX	
88	- 21237.0.40.01	LAMIERINO BLOCCAGGIO PORTAFILTRO	LOCKING BRACKET	
89	- 21077.0.00.02	FLANGIA ATTACCO FORCELLA	FLANGE FOR FORK	
90	- 01260.0.00.03	VITE TCEI 8X20	SCREW TCEI 8X20	